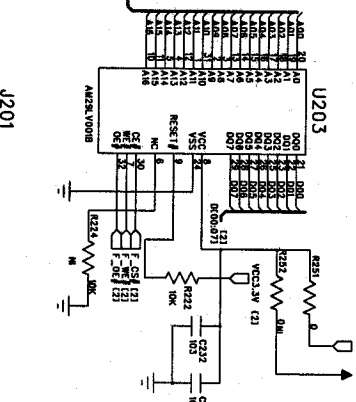
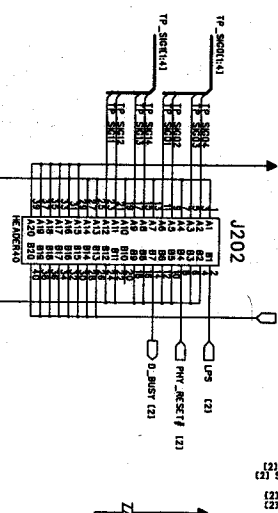
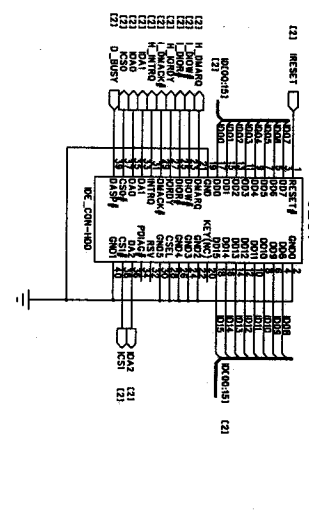
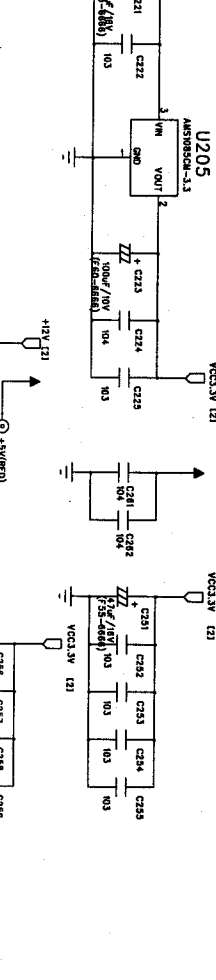


R251	L	V
	0	F
R252	X	X
	X	O

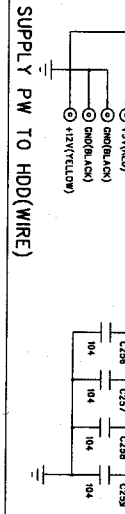
U206 ALTERNATIVE DECAL



MOMOBAY MODULE MAIN PCB



SUPPLY PW TO HDD(WIRE)



ONICO

TITLE
MOMO-BAY MAIN MODULE

DATE: 2000.05.17

SHEET 2 OF 3