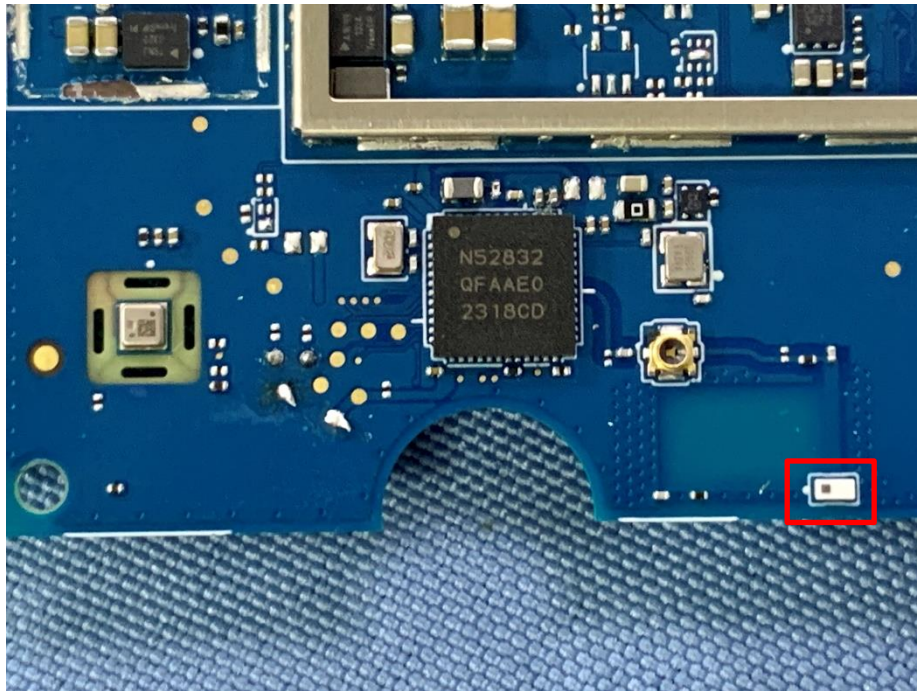


Antenna Specification

1. Antenna Describe

Antenna Manufacturer	Universal Scientific Industrial (Shanghai) Co., Ltd.
Address	No.1558, Zhang Dong Rd., Pudong New Area, Shanghai 201203, China
Antenna Model	ANT016008LCS2442MA1
Antenna Type	Chip Antenna
Antenna Gain	0.5dBi Max
Frequency Rang	2400-2500MHz
VSWR	≤ 2
Input Impedance	50 Ω

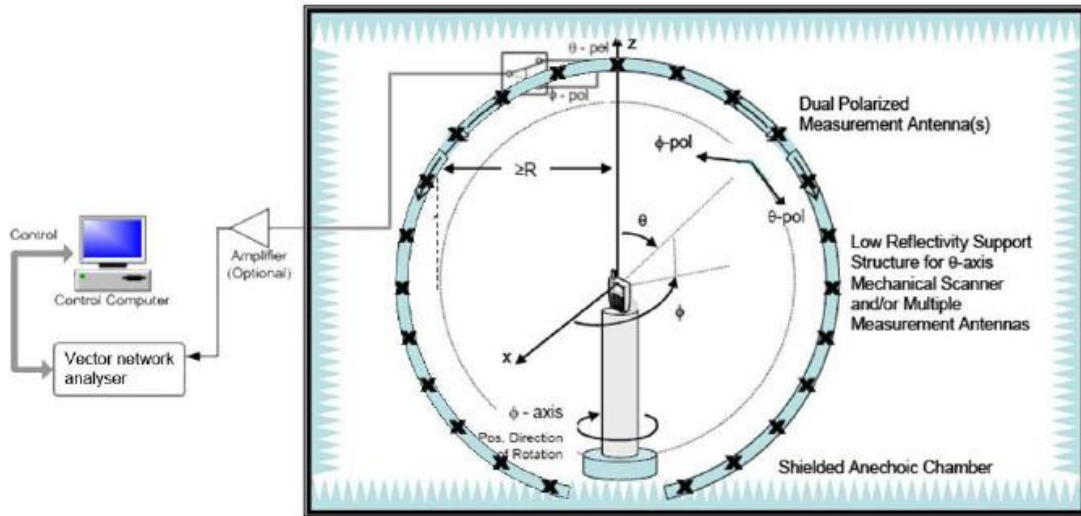
2. External View Drawing



Length = 1.5 ± 0.2 mm, Width = 0.8 ± 0.1 mm, Height = 0.2 ± 0.1 mm

3. Measurement Result

3.1 Test Setup



3.2 S11 Parameter



3.3 Antenna test data

Frequency (MHz)	Efficiency (%)	Gain (dBi)
2400	20	-1.0
2410	19	-1.2
2420	24	0.3
2430	22	0.3
2440	24	0.4
2450	25	0.5
2460	23	0.2
2470	21	0.1
2480	20	-1.0
2490	18	-1.2
2500	20	-0.5

3.4 Antenna test diagram

