

DATA SHEET

WIRELESS COMPONENTS

Ceramic Chip Antenna

ANT8010LL04R2400A

2.4 - 2.5 GHz

8010 Series



FEATURES

- Compact size
- Omni-directional radiation
- Tape & reel automatic mounting
- Reflow process compatible
- RoHS compliant

APPLICATIONS

- 2.4 GHz WiFi device
- Bluetooth gadget
- Zigbee device
- ISM band equipment

ORDERING INFORMATION

All part numbers are identified by the series, packing type, material, size, antenna type, working frequency and packing quantity.

PART NUMBER

ANT 8010 L L04 R 2400A
(1) (2) (3) (4) (5) (6)

(1) PRODUCT

ANT = Antenna

(2) SIZE

8010=8.0x1.0 mm

(3) ANTENNA TYPE

L,F,A = Chip Antenna

(4) SERIAL NO.

L04

(5) PACKING STYLE

R = Tape and Reel

(6) WORKING FREQUENCY

2400 = 2.4 - 2.5 GHz

PHYCOMP CTC

CAN4311781042453K

I2NC

431178104245

SPECIFICATION

Table 1

DESCRIPTION	VALUE
Working Frequency	2.4 - 2.5 GHz
Bandwidth	170 MHz (Typ.)
Polarization	Linear
Azimuth Beamwidth	Omni-directional
Peak Gain	5.46 dBi (Typ.)
Impedance	50 ohm
Operating Temperature	- 40~105 °C
Maximum Power	1 W
Termination	Ni / Sn (Environmentally-Friendly Leadless)
Resistance to Soldering Heats	260°C , 10sec.

NOTE

1. The specification is defined on Yageo evaluation board

DIMENSIONS

Table 2 Machinical Dimension

	DIMENSION
L (mm)	1.00 ±0.10
W (mm)	8.00 ±0.10
T (mm)	1.00 ±0.10
C (mm)	0.90 ±0.15

OUTLINES

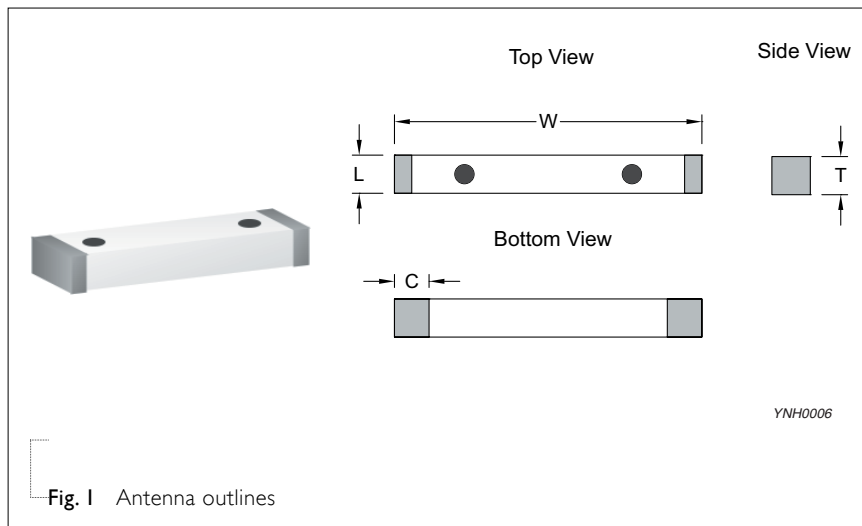


Fig. 1 Antenna outlines

REFERENCE DESIGN OF EVALUATION BOARD

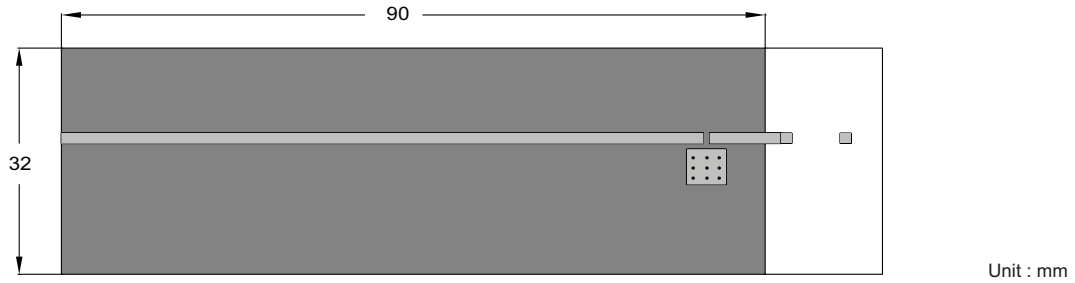


Fig. 3 Outlook and dimension of evaluation board

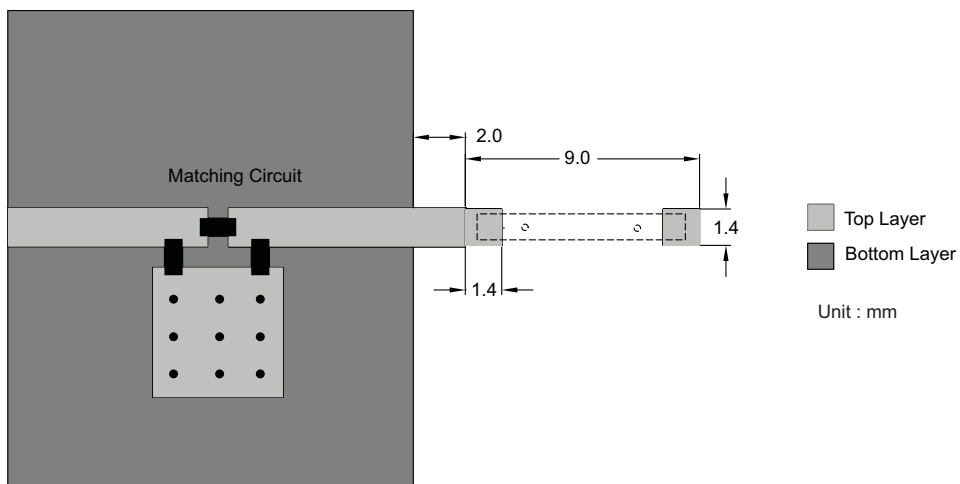


Fig. 4 Details of soldering pad

YNH0007

ELECTRICAL PERFORMANCES

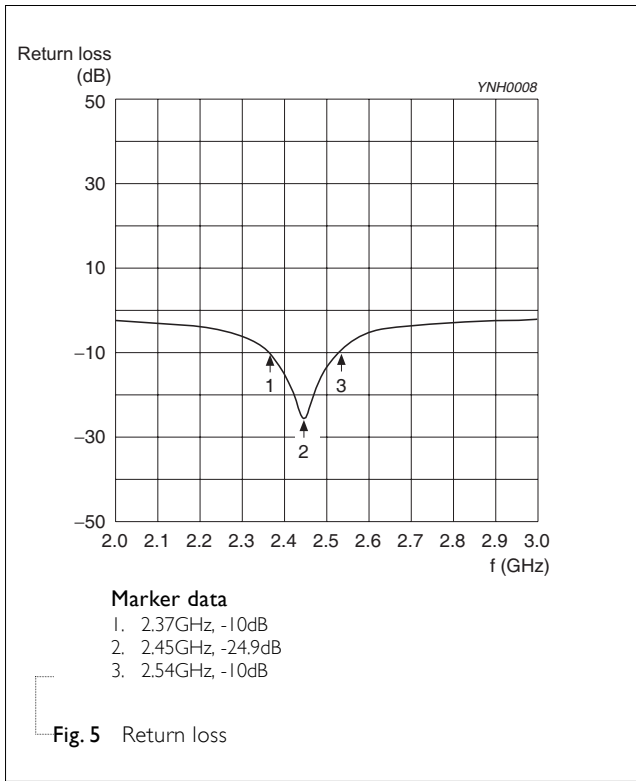


Fig. 5 Return loss

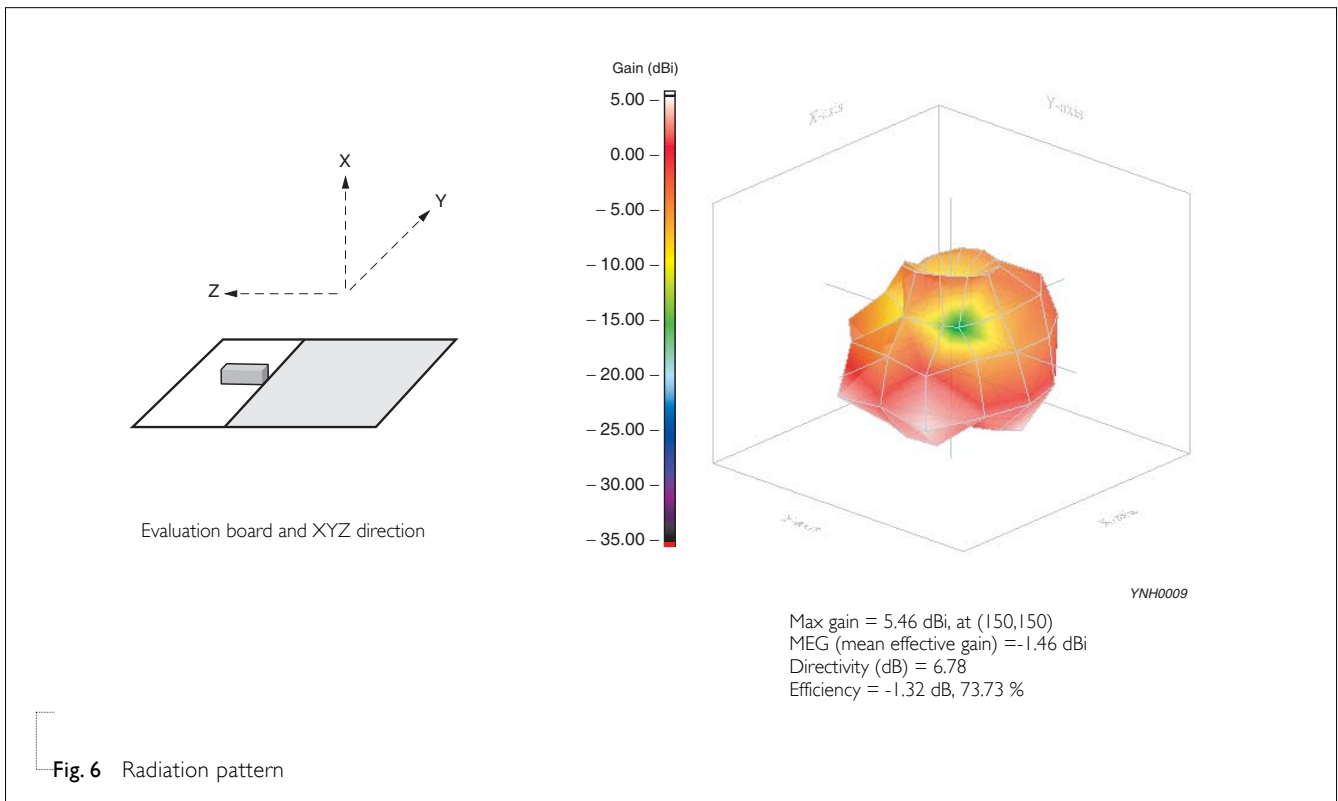


Fig. 6 Radiation pattern

REVISION HISTORY

REVISION	DATE	CHANGE NOTIFICATION	DESCRIPTION
Version 0	Feb. 04, 2013	-	- New datasheet for SMD type antenna, 2.45 GHz application, 8010 series

기 자 재 확 인 서

Equipment Confirmation

- 기자재의 명칭/ Product name: KICKR
- 모 델 명/Model #: WF113
- 확인내용/Confirmation Summary: external photos, internal photos,
Schematics,block diagram,Antenna Specification and PCB layout
- 확인일자/Confirmation Date: August 30, 2016
- 확 인 자/Confirmation Reviewer: Martin Ma

-서명/Signature:

