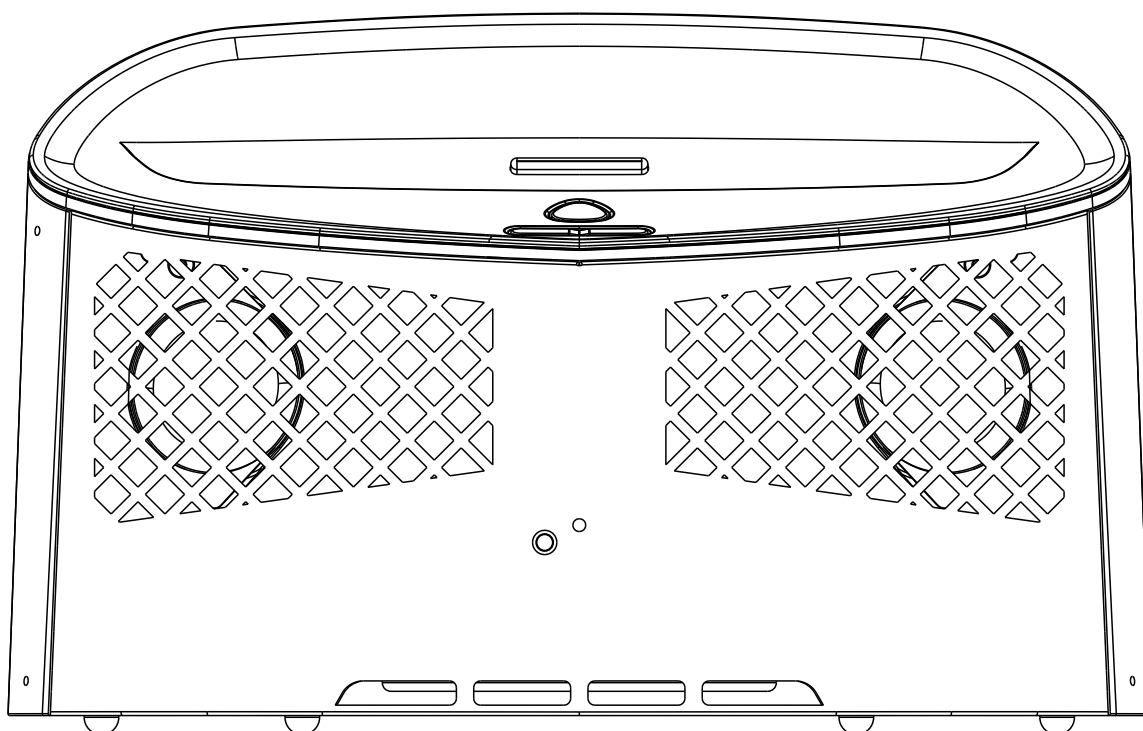


Bluetooth SERIES



Brand Name: Logic3


Scuderia FS1 (2LFS001)

User Manual

Bluetooth Audio System



Safety Instructions

1. Read these instructions – All the safety and operating instructions should be read before this product is operated.
2. Keep these instructions – The safety and operating instructions should be retained for future reference.
3. Heed all warnings – All warnings on the appliance and in the operating instructions should be adhered to.
4. Follow all instructions – All operating and use instructions should be followed.
5. Do not use this apparatus near water – The appliance should not be used near water or moisture – for example, in a wet basement or near a swimming pool, and the like.
6. Clean only with dry cloth.
7. Do not block any ventilation openings. Install in accordance with the manufacture's instructions.
8. Do not install near any heat sources such as radiators, heat registers, stoves, or other apparatus (including amplifiers) that produce heat.
9. Do not defeat the safety purpose of the polarized or grounding plug. A polarized plug has two blades with one wider than the other. A grounding plug has two blades and a third grounding prong. The wide blade or the third prong is provided for your safety. If the provided plug does not fit into your outlet, consult an electrician for replacement of the obsolete outlet.
10. Protect the power cord from being walked on or pinched particularly at the plugs, convenience receptacles, and at the point where they exit from the apparatus.
11. Only use attachments/accessories specified by the manufacturer.
12. Use only with the cart, stand, tripod, bracket, or table specified by the manufacturer, or sold with the apparatus. When a cart or rack is used, use caution when moving the cart/apparatus combination to avoid injury from tip-over.
13. Unplug the apparatus during lightning storms or when unused for long periods of time.
14. Refer all servicing to qualified personnel. Servicing is required when the apparatus has been damaged in any way, such as power supply cord or plug is damaged, liquid has been spilled or objects have fallen into the apparatus has been exposed to rain or moisture, does not operate normally, or has been dropped.
15. Please keep the unit in a good ventilation environment.
16. CAUTION: These servicing instructions are for use by qualified service personnel only. To reduce the risk of electric shock, do not perform any servicing other than that contained in the operating instructions unless you are qualified to do so.
17. This equipment is a Class II or double insulated electrical appliance. It has been designed in such a way that it does not require a safety connection to electrical earth.
18. 

- This lightning flash with arrowhead symbol within an equilateral triangle is intended to alert the user to the presence of non-insulated "dangerous voltage" within the product's enclosure that may be of sufficient magnitude to constitute a risk of electric shock.

- Warning: To reduce the risk of electric shock, do not remove cover (or back) as there are no user-serviceable parts inside. Refer servicing to qualified personnel.

- The exclamation point within an equilateral triangle is intended to alert the user to the presence of important operating and maintenance instructions in the literature accompanying the appliance.
19. No naked flame sources, such as lighted candles, should be placed on the apparatus.
20. Attention should be drawn to environmental aspects of battery disposal.
21. Use of the apparatus in moderate climates.
22. To assure continued compliance, any changes or modifications not expressly approved by the party responsible for compliance could void the user's authority to operate this equipment.



FCC Statement

This equipment has been tested and found to comply with the limits for a Class B digital device, pursuant to part 15 of the FCC Rules. These limits are designed to provide reasonable protection against harmful interference in a residential installation. This equipment generates, uses and can radiate radio frequency energy and, if not installed and used in accordance with the instructions, may cause harmful interference to radio communications. However, there is no guarantee that interference will not occur in a particular installation. If this equipment does cause harmful interference to radio or television reception, which can be determined by turning the equipment off and on, the user is encouraged to try to correct the interference by one or more of the following measures:

- Reorient or relocate the receiving antenna.
- Increase the separation between the equipment and receiver.
- Connect the equipment into an outlet on a circuit different from that to which the receiver is connected.
- Consult the dealer or an experienced radio/TV technician for help.

FCC Radiation Exposure Statement

This equipment complies with FCC RF radiation exposure limits set forth for an uncontrolled environment. This equipment should be installed and operated with a minimum distance of 20 centimeters between the radiator and your body.

This equipment complies with Part 15 of the FCC Rules. Operation is subject to the following two conditions:

- (1) This device may not cause harmful interference, and
- (2) This device must accept any interference received, including interference that may cause undesired operation.

Caution!

The manufacturer is not responsible for any radio or TV interference caused by unauthorized modifications to this equipment. Such modifications could void the user authority to operate the equipment.

IC Statement

This device complies with Industry Canada RSS-210. Operation is subject to the following two conditions:

- (1) this device may not cause interference, and
- (2) this device must accept any interference, including interference that may cause undesired operation of the device.

Le présent appareil est conforme aux CNR d'Industrie Canada applicables aux appareils radio RSS-210.

L'exploitation est autorisée aux deux conditions suivantes :

- (1) l'appareil ne doit pas produire de brouillage, et
- (2) l'utilisateur de l'appareil doit accepter tout brouillage radioélectrique subi, même si le brouillage est susceptible d'en compromettre le fonctionnement.

The device meets the exemption from the routine evaluation limits in section 2.5 of RSS 102 and compliance with RSS-102 RF exposure, users can obtain Canadian information on RF exposure and compliance.

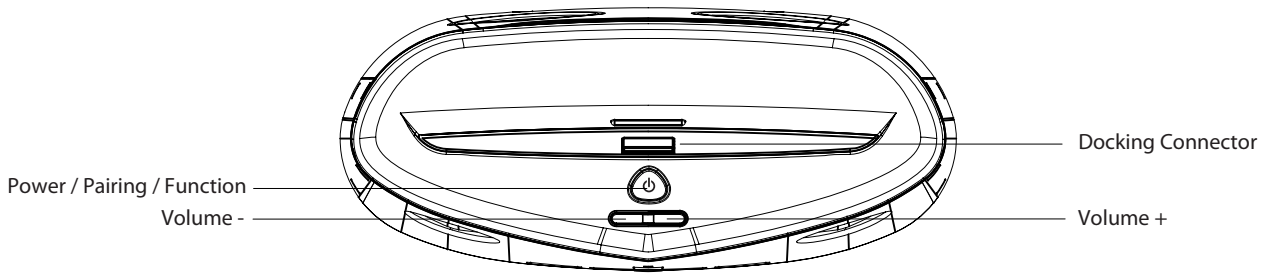
Le dispositif rencontre l'exemption des limites courantes d'évaluation dans la section 2.5 de RSS 102 et la conformité à l'exposition de RSS-102 rf, utilisateurs peut obtenir l'information canadienne sur l'exposition et la conformité de rf.

This equipment should be installed and operated with a minimum distance of 20 centimeters between the radiator and your body.

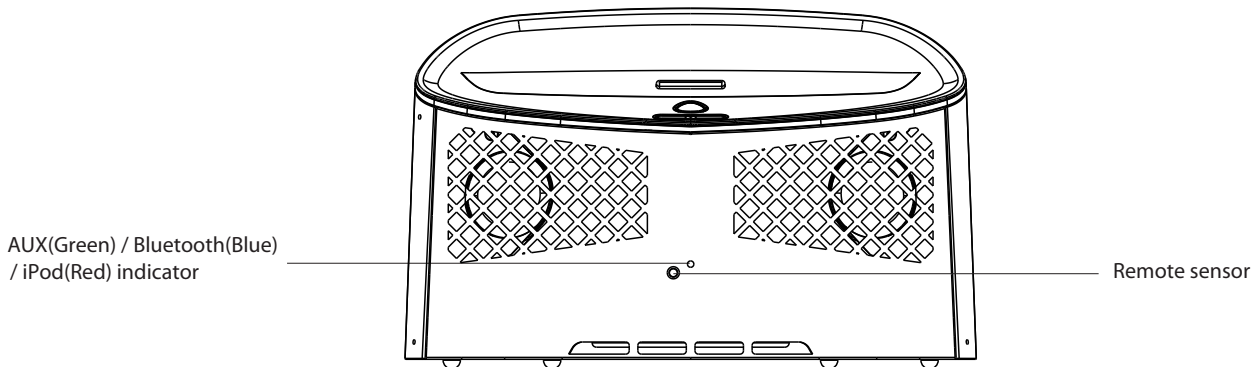
Cet équipement devrait être installé et actionné avec une distance minimum de 20 centimètres entre le radiateur et votre corps.

Controls

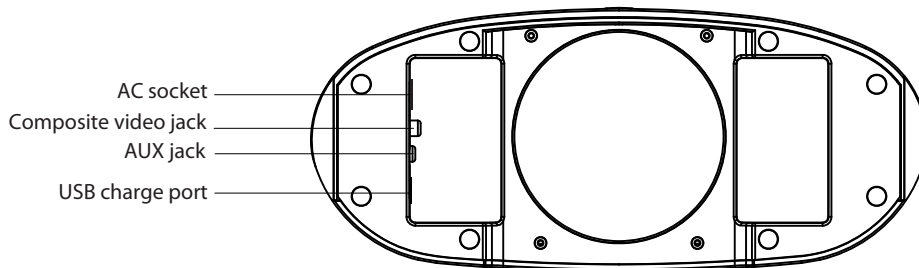
TOP PANEL



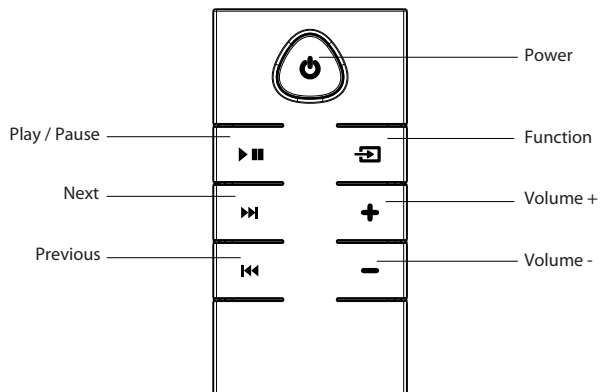
FRONT PANEL



BOTTOM PANEL

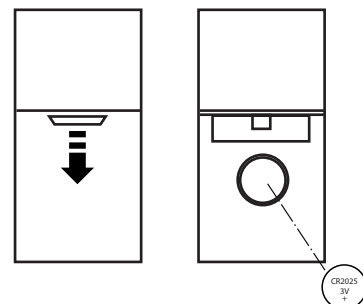


REMOTE CONTROL



Remote control batteries

1. Open the batter door with the with the side the arrowhead pointed.
2. Fit the battery observing polarity as shown with the same CR2025 type specified.



Quick Start

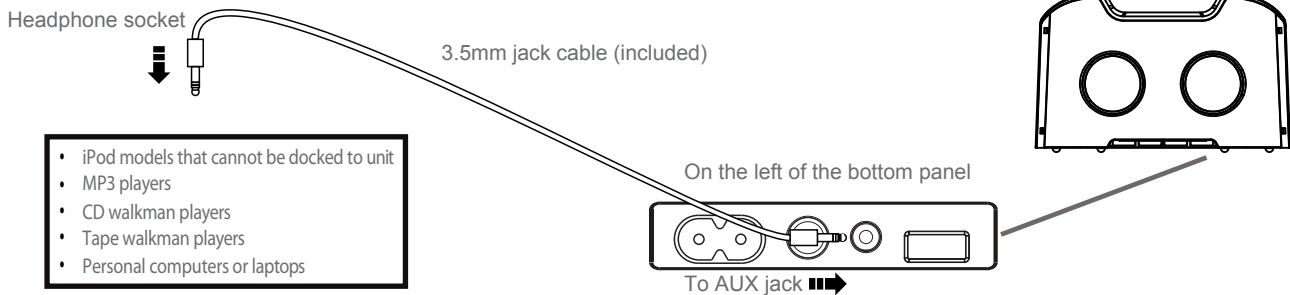
Powering your player ON

To power the player ON:

- 1 Plug **AC cord** into **AC socket**, and plug into a live AC wall outlet.
 - 2 Press the **Power/Pairing/Function** button on the top panel or the **Power** button on the remote control to switch the player to ON mode.
 - 3 Press and hold the **Power/Pairing/Function** button on the top panel for 2 to 5 seconds and then release or press the **Power** button on the remote control to switch the player to Standby mode.
- ! Note: To save power, the player will enter Standby mode from ON mode automatically if there is no audio input for 15 minutes.

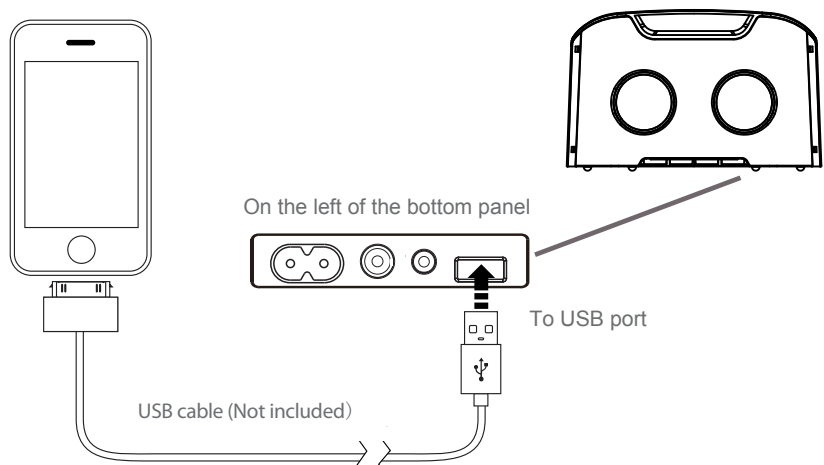
Line in connection

- 1 Connect a sound sources with a Line or headphone analogue output to play through your player as below hookup diagram shown.
- 2 Press the **Power/Pairing/Function** button on the top panel or press the **AUX** button to select the AUX mode. Green light indicates.
- 3 Set your personal audio player/ computer to PLAY.



Charging your device with USB port

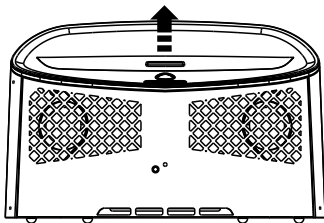
- 1 Charge your device using the USB Type "A" connector.
- ! Noted: USB port will stop charging your device when docking the iPhone/iPad/iPod on the Docking Connector.




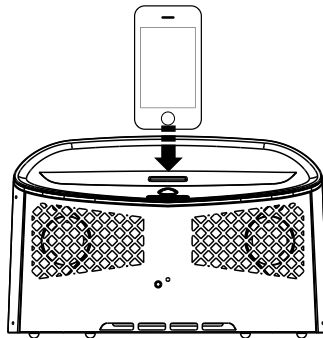
Quick Start

Docking an iPhone/iPad/iPod

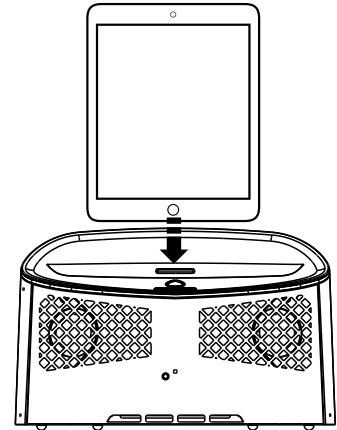
1 Remove the cover from the iPod dock.



2 Press the **Power/Pairing/Function** button on the top panel or press the  button to select the iPod mode. Red light indicates.



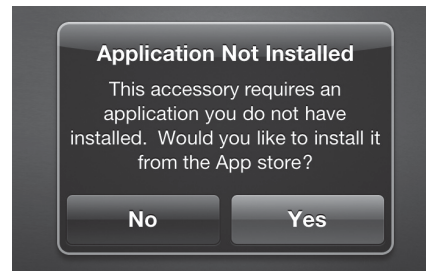
3 Locate the iPhone/iPad/iPod on the Docking Connector and press it gently home. iPhone/iPad/iPod will start to play.



Download the Apps from App store.

1 If an iPhone/iPad/iPod (some models only) is connected the first time, a window will be display. By pressing YES on the iPhone/iPad/iPod screen, the App store will be opened.

2 Select "Install" and wait for it to download to complete the installation.



Quick Start

Connecting to TV with Video cable (Not included)

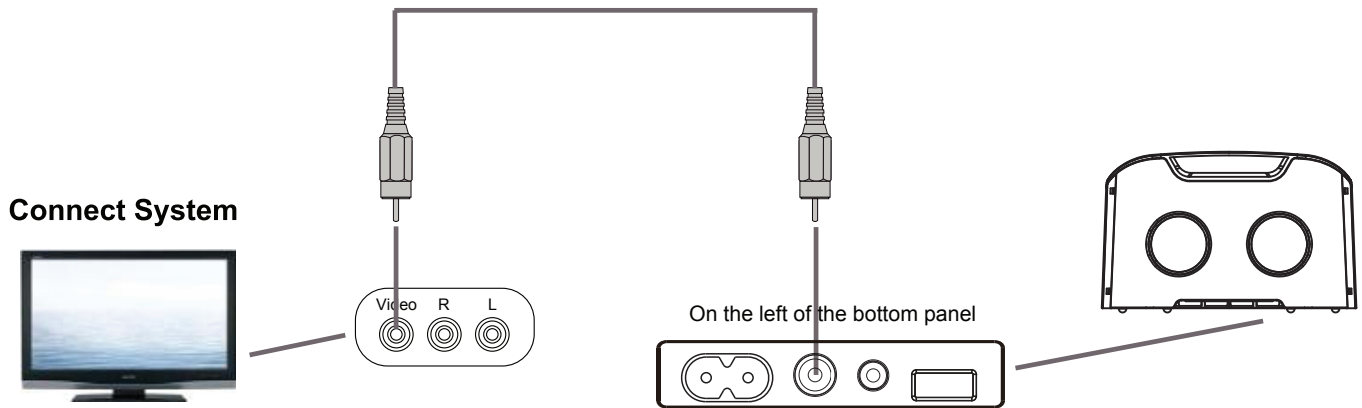
1 Plug the video connector into the composite video port on the player as below hookup diagram shown.

2 Plug the video connector into the composite input (CVBS) port on the TV as below hookup diagram shown.

! Note: Never force a connector into a port. If the connector and port don't join with reasonable ease, they probably don't match. Make sure the connector matches the port and is positioned correctly in relation to the port.

3 Please remember to push the "Line" or "input" or "Video/TV" button on your TV remote to switch the TV's input source to "Composite Video" to view the video with composite signal.

4 Docking the iPad/iPhone/iPod on the dock and set it to video view.



Music Connectivity

Using Bluetooth: Pairing Your Device

Before your start

Your Bluetooth device (cellphone, MP3 player, computer, ect.) must support the A2DP Bluetooth profile (Commonly known as stereo audio profile) to work with the player. Many of the latest mobile phones and PCs with built-in Bluetooth functionality will support this profile. For accurate information about your product, please refer to your bluetooth device's user manual for details on the bluetooth profiles it supports and on how to set the device's Bluetooth pairing/searching/setup mode.

Pairing your Bluetooth device with the player

1. Press and hold the **Power/Pairing/Function** button more than 5 seconds at ON mode until the blue light flashes to begin pairing operation.

Note: There are three Statuses provided for bluetooth pairing.

No Pair: Blue lights 200 milliseconds of 2 seconds; **Pairing:** Blue lights 500 milliseconds of 1 second; **Paired:** Blue light steady.






2. Activate Bluetooth on your device according to the device's user manual to link to the player. Typically, Bluetooth controls are found on the device's tools or settings menu. Turn on Bluetooth connectivity and make your device "discoverable".
3. Search the device name "Ferrari FS1" on your bluetooth device listed and select it as your audio speaker.
4. Once paired with a device, the Blue light will stop flashing and glow steadily.
5. Pairing remains intact when the player or the Bluetooth device is powered off or is taken out of link range. The player will auto link with the last linked device when that device is in range.

Note: Connecting to a bluetooth device may take up to 5 minutes. If the pairing is unsuccessful repair your bluetooth device with the player and repeat the above steps.

Pairing your other Bluetooth device

To restart the current connection from player for select the other bluetooth device, press and hold the **Power/Pairing/Function** button more than 5 seconds and repeat the above steps for pairing your other Bluetooth.






Playing Bluetooth Music

1. Once your device and the player are linked you can start to play Bluetooth music through the player.
2. Turn on the player and press the **Power/Pairing/Function** button on the top panel or press the  button on the remote control to select the Bluetooth mode. Blue light indicates for Bluetooth mode.
3. Press the  button on the remote control to play your Bluetooth-enabled device. (Depending on the Bluetooth device you are using, you may need to manually go into media player mode on your device to make it work properly)
4. Press the  button on the remote control to skip the next track.
5. Press the  button on the remote control to skip back to the beginning of the track currently play. Press the button again immediately to skip the previous track.
6. Press the  button on the remote control again to pause play; Press again to resume it.
7. Press the **Volume +/-** button on the top panel or remote control to adjust the system volume.

Please remember to turn off Bluetooth device manually.

Local iPod Audio Mode

Dock, Charge, & Play using iPod dock:

1. Connect your Apple device to iPod dock.
2. Press the **Power/Pairing/Function** button on the top panel or press the  button on the remote control to select the iPod mode for iPhone/iPad/iPod charging and audio playback. Red light indicates for iPod mode.
3. Press the  button on the remote control to play your iPhone/iPad/iPod.
4. Press the  button on the remote control to skip the next track.
5. Press the  button on the remote control to skip back to the beginning of the track currently play. Press the button again immediately to skip the previous track.
6. Press the  button on the remote control again to pause play; Press again to resume it.
7. Press the **Volume +/-** button on the top panel or remote control to adjust the system volume.

Trouble Shooting

There is no power to the player

- Ensure that the Power Switch of wall socket is physically set to the ON position.
- Ensure that the AC plug is securely connected to the player and proper wall outlet.

There is no power to the player

- Remove the iPhone/iPad/iPod from the dock and check for obstruction on the connectors in the dock and on your iPhone/iPad/iPod. Then reseat it in the dock.
- Upgrade your software on your iPhone/iPad/iPod. For details visit <http://www.apple.com> or use iTunes on your computer. Check the volume setting, make sure your iPhone/iPad/iPod is working properly before docking into the player. Please refer to your iPhone/iPad/iPod manual for details on how to perform a reset.

There is no picture

- Ensure that the TV set has been powered on and is set to the correct AV mode.
- Ensure that the connections between the player and the TV are secure and correct.
- Check if the connection cables are damaged.

The Picture is noisy or distorted

- The iPhone/iPad/iPod may be damaged or dirty. Clean the iPhone/iPad/iPod or try another one.
- Reset your TV's color system.
- Ensure that the player is connected directly to the TV (and not through a VCR, cable box, satellite receiver, etc.)

Trouble pairing device/computer with the player

- Make sure you have the latest firmware for your iPhone/iPad/iPod.
- Make sure your device is working properly. Check your device's manual for details on Bluetooth pairing and linking.
- Make sure your device supports the A2DP and AVRCP Bluetooth profiles before linking/pairing. The player defaults to the last linked device, so a new device may need to be linked by press and hold the Power/Pairing/Function button for pairing other device.

Specification

Power supply	: AC 100-240V, 50/60Hz
Power consumption	: 80W
AUX in jack	: 3.5mm (included)
USB Charging Port	: Full Size USB Type "A" connector
Video output	: Composite Video