

Logic3

Model: 2LFS001
Scuderia FS1

Power source: AC 100-240V~50/60Hz

Power consumption: 80 W

USB rating: 5V 2100mA

SAA Approval No.:XXXXX

FCC ID: PAB2LFS001

IC :10556A-2LFS001

CMIIT ID:



Intertek
4006184

CONFORMS TO
UL STD 60065

CERTIFIED TO
CSA STD
C22.2 NO. 60065

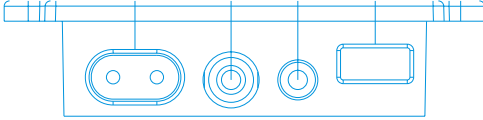
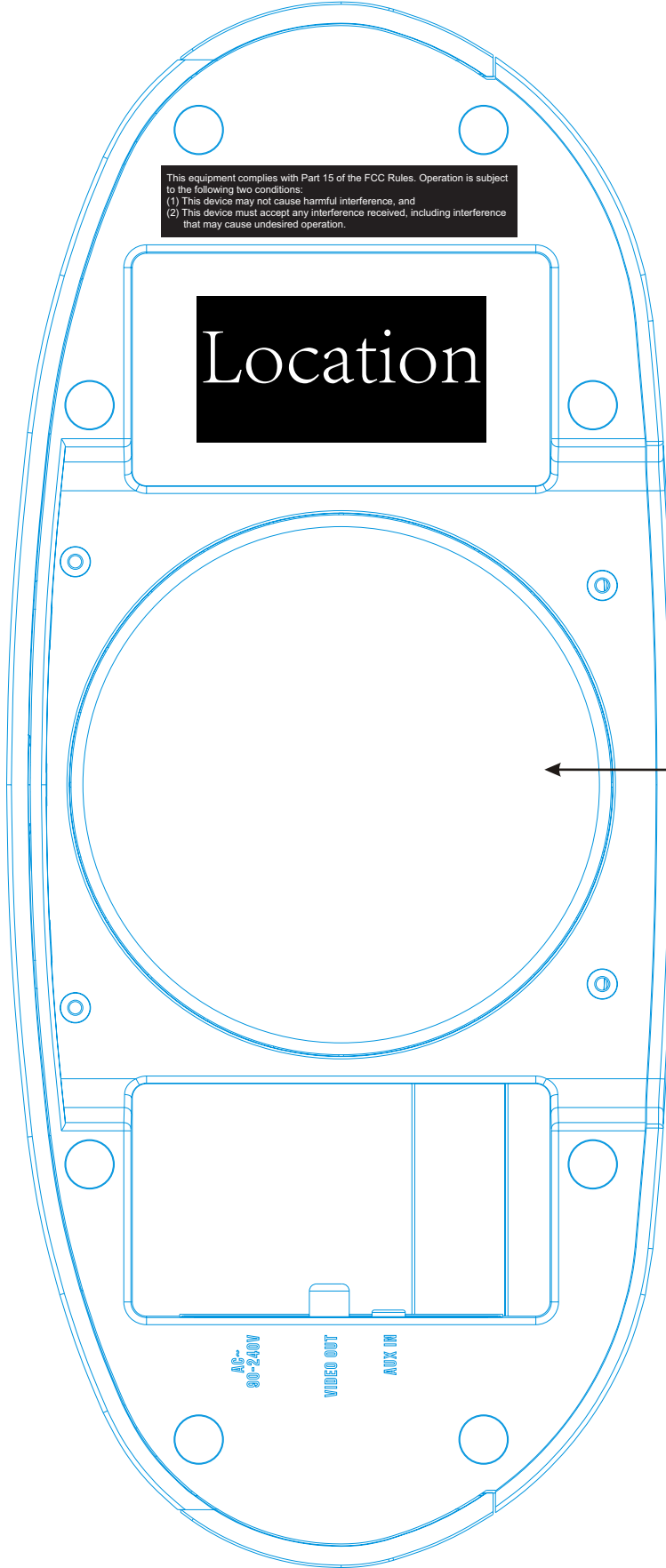


206-000286



This equipment complies with Part 15 of the FCC Rules. Operation is subject to the following two conditions:
(1) This device may not cause harmful interference, and
(2) This device must accept any interference received, including interference that may cause undesired operation.

Location



**BOTTOM CABINET:BASE(注塑) :
底壳(喷油) :软金属8401c
PRINT(丝印):**

装饰铁网(8401C) : 408-L120:1760000 (大)