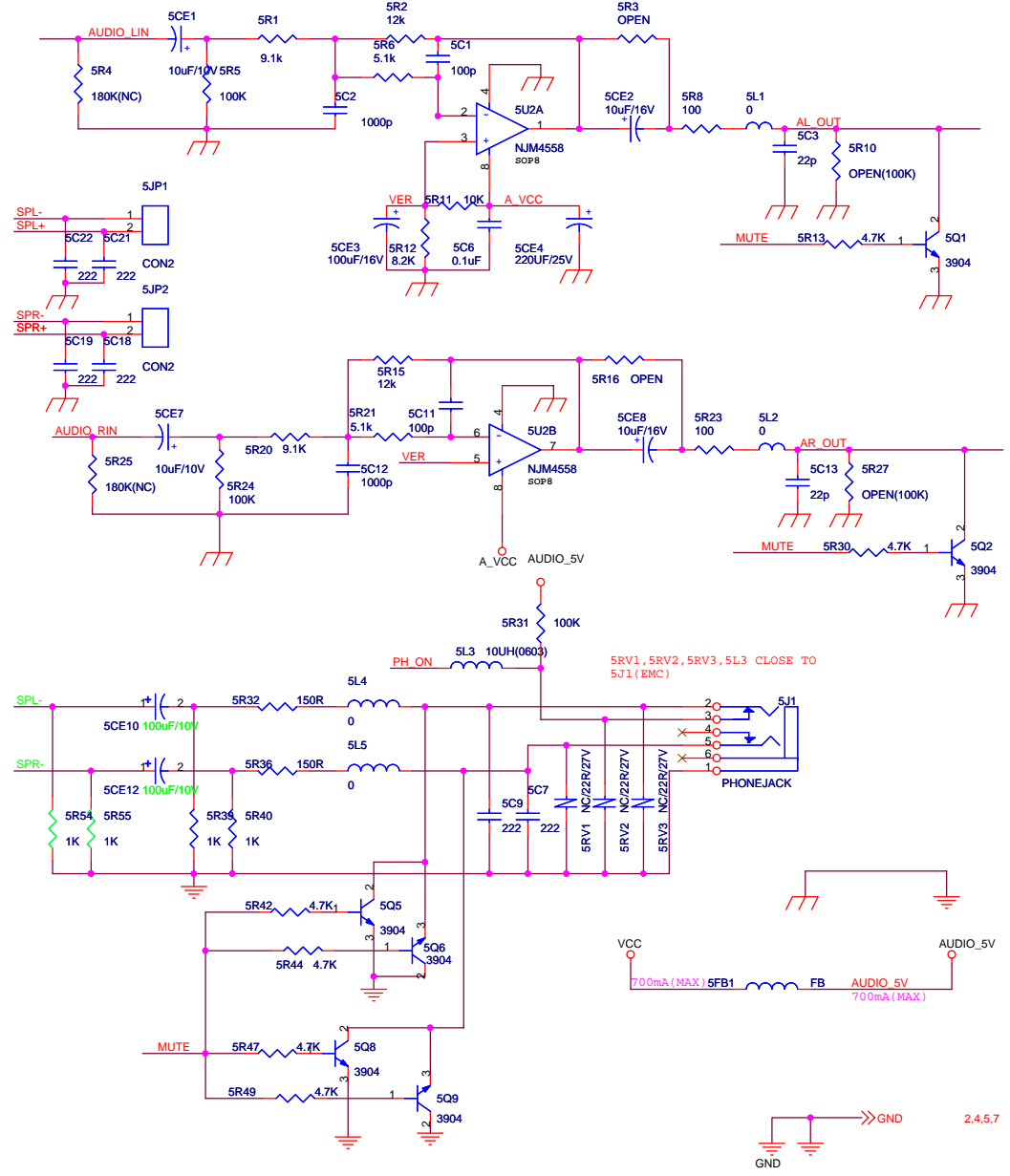
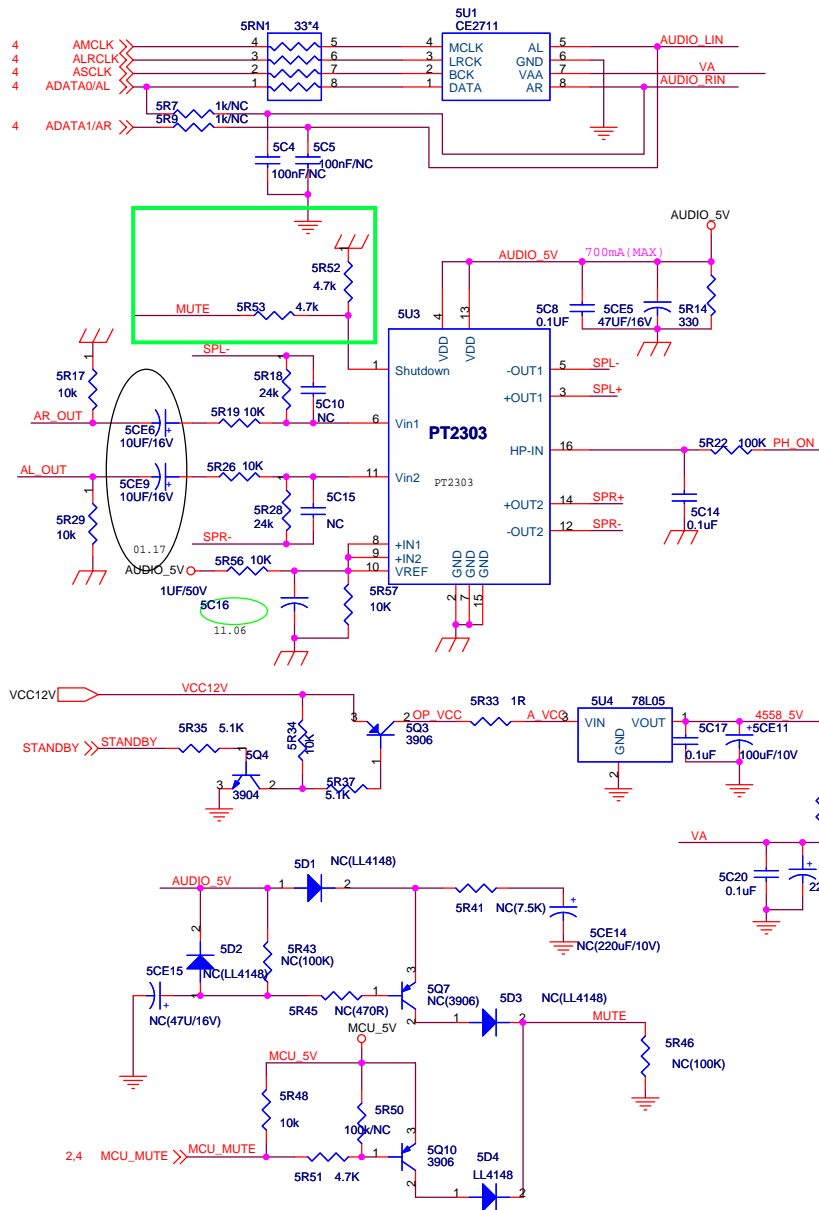


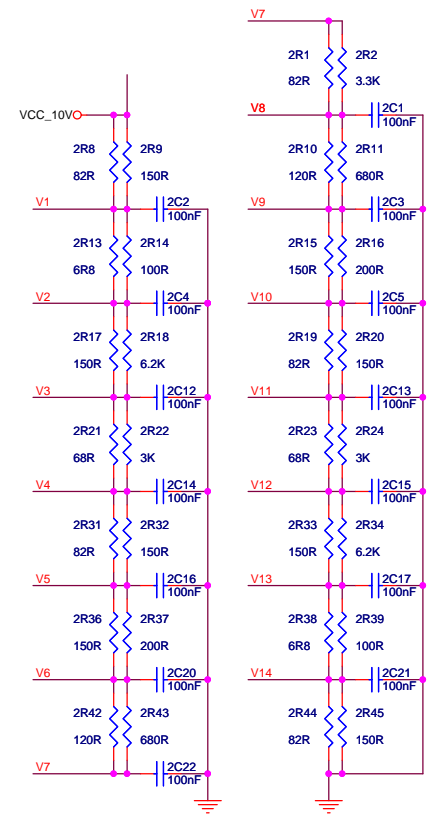
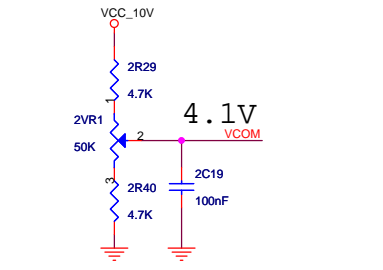
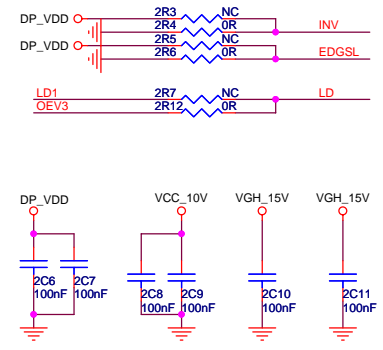
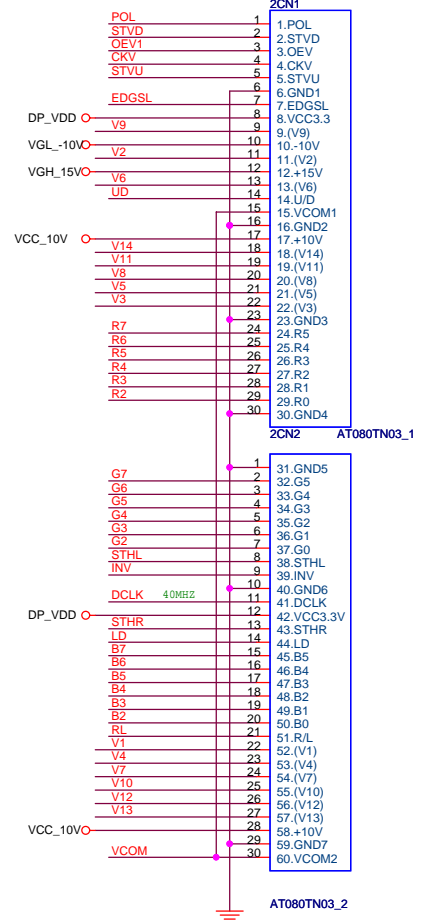
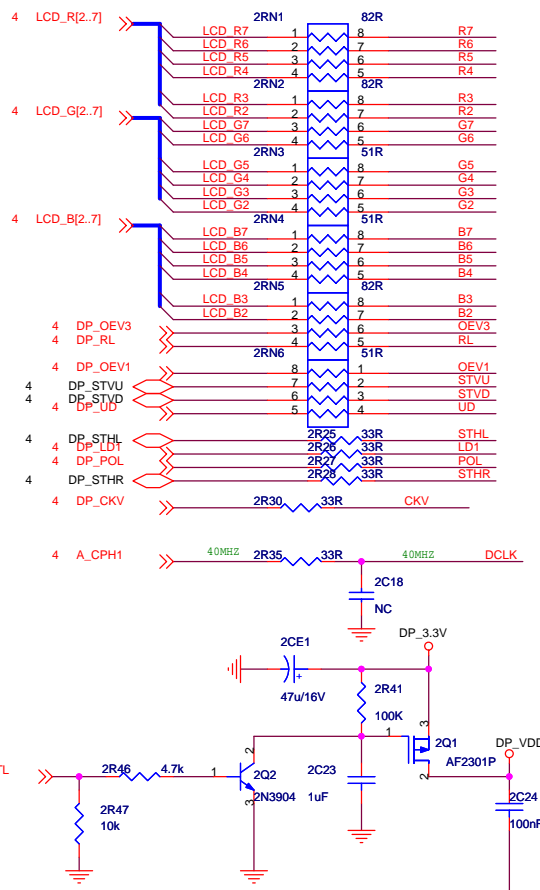
SCAN INPUT	0111	1011	1101	1110	0011	1001	0101	0110	0010	0001
K0K1K2K3										
KEY?	KEY10	KEY9	KEY8	KEY7	KEY6	KEY5	KEY4	KEY3	KEY2	KEY1

Title	<Title>	
Size	Document Number	Rev
A3	<Doc>	<Rev Code>
Date:	Tuesday, January 16, 2007	Sheet 1 of 7

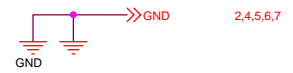


VCC12V >> VCC12V 2
 VCC >> VCC 2,5,7
 MCU_5V >> MCU_5V 2,4

Title		<Title>
Size	Document Number	Rev
A3	<Doc>	<Rev Code>
Date:	Wednesday, February 07, 2007	Sheet 2 of 7

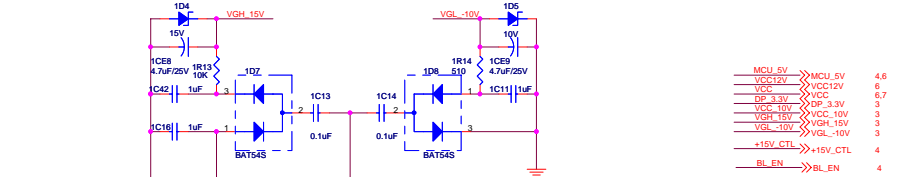
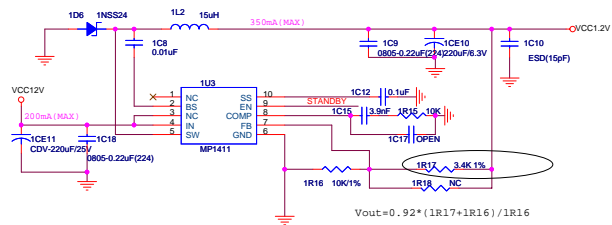
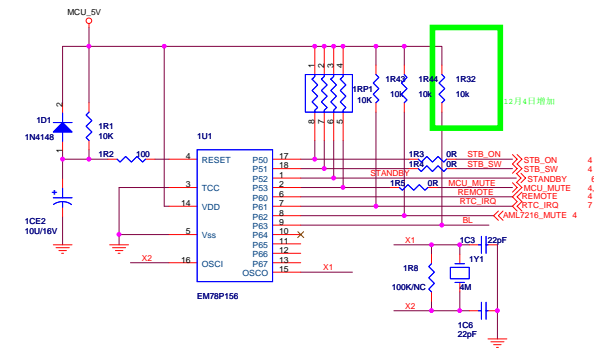
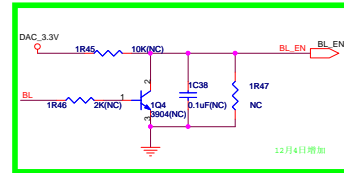
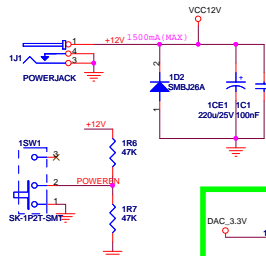
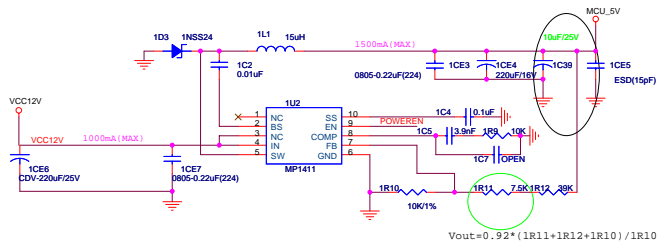


- VCC_10V >> VCC_10V 2
- VGH_15V >> VGH_15V 2
- VGL_-10V >> VGL_-10V 2
- DP_3.3V >> DP_3.3V 2

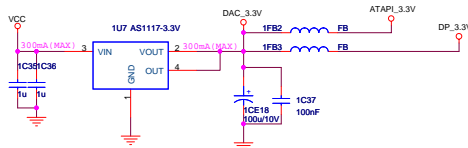
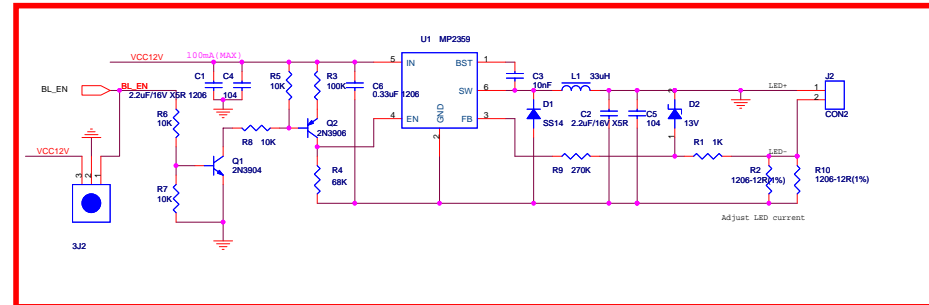
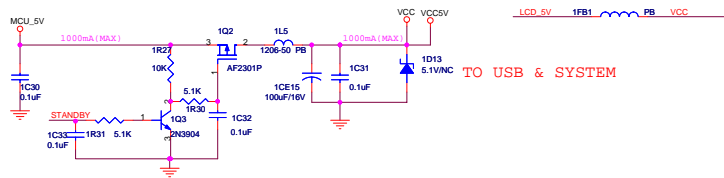
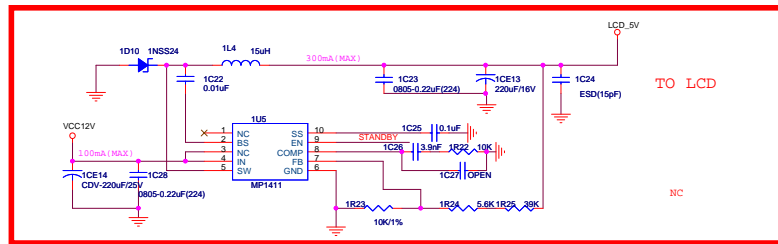


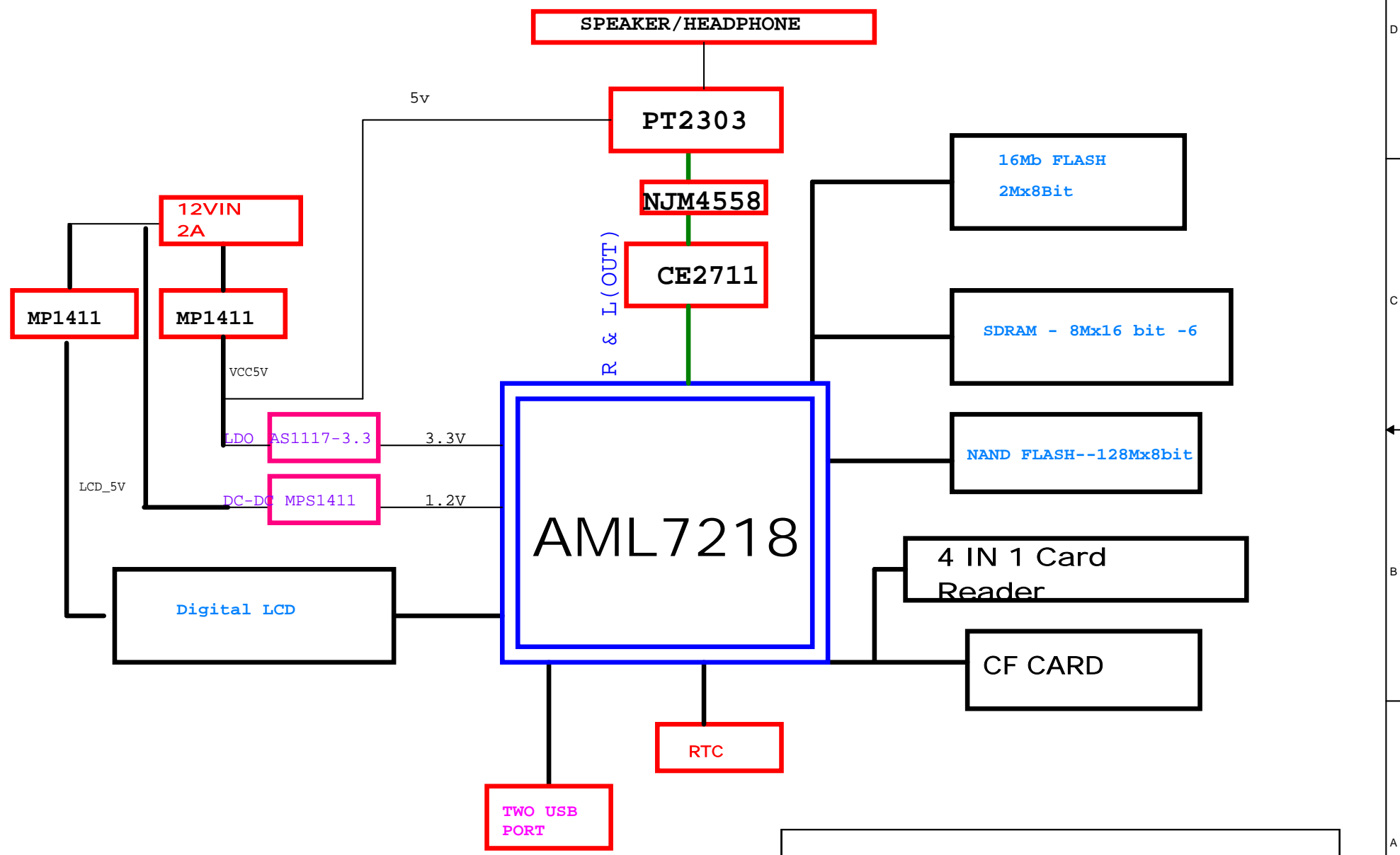
DP_VDD_CTL-Lo : DP_VDD = OFF
 DP_VDD_CTL-Tri-state : DP_VDD = OFF
 DP_VDD_CTL-Hi : DP_VDD = ON

Title		
<Title>		
Size	Document Number	Rev
A3	<Doc>	<Rev Code>
Date:	Tuesday, January 16, 2007	Sheet 5 of 7



- MCU_5V >> MCU_5V 4.6
- VCC12V >> VCC12V 6.7
- VCC >> VCC 3
- OP_3.3V >> OP_3.3V 3
- VCC_10V >> VCC_10V 3
- VGH_15V >> VGH_15V 3
- VGL_10V >> VGL_10V 3
- +15V_CTL >> +15V_CTL 4
- BL_EN >> BL_EN 4





Title		
<Title>		
Size	Document Number	Rev
A	<Doc>	<RevCode>
Date:	Thursday, January 11, 2007	Sheet 7 of 7