

# Altair IO 4 Antenna Datasheet

12/16/2021

## Antenna type/gain data

Table 1 Antenna type and gain data.

Antenna	Type	Frequency (MHz)	Peak Gain (dBi)
LTE	PIFA	B12 - 707	-2.96
LTE	PIFA	B13 - 782	-1.02
LTE	PIFA	B5/GPRS850 - 836	-1.62
LTE	PIFA	B4/GPRS1800 - 1732	+0.33
LTE	PIFA	B2/GPRS1900 - 1880	+2.32

## Antenna Drawing

### SHEET 1: ANTENNA, CELLULAR, ALTAIR io4, LDS DETAIL

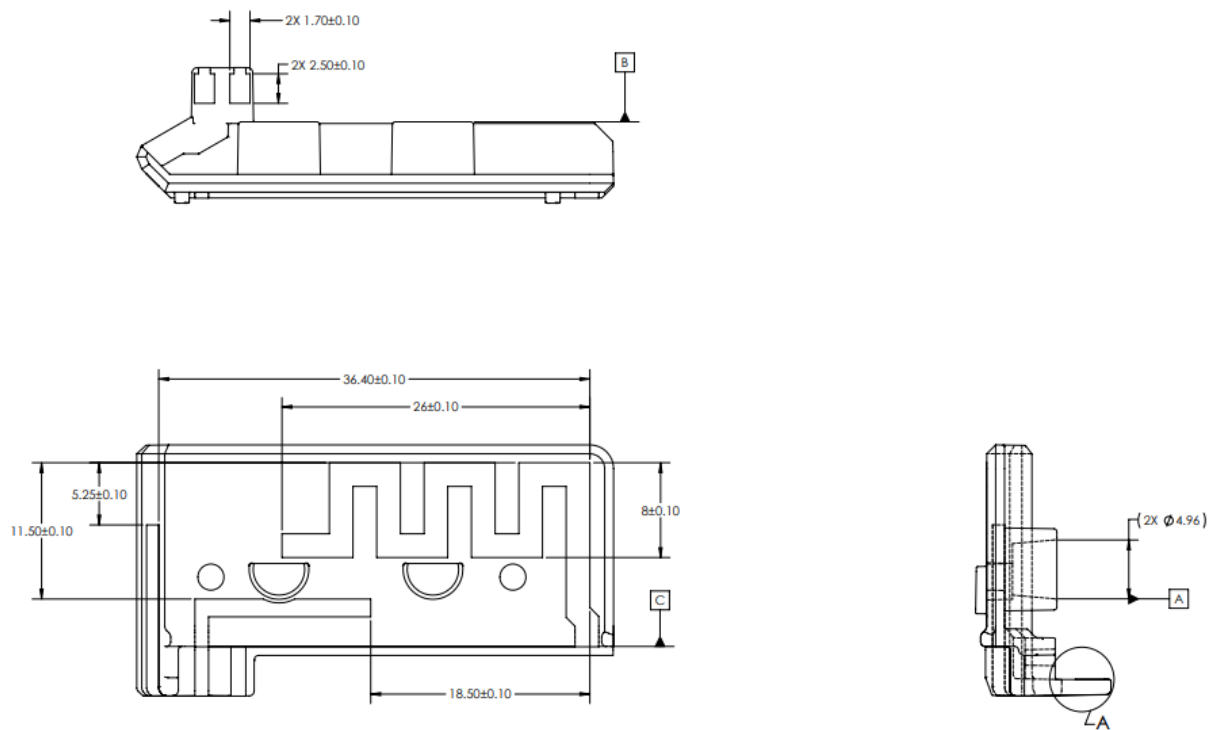


Figure 1 Drawing of LTE Antenna

Radiation Plots

Figure 2 io4 Test Orientation

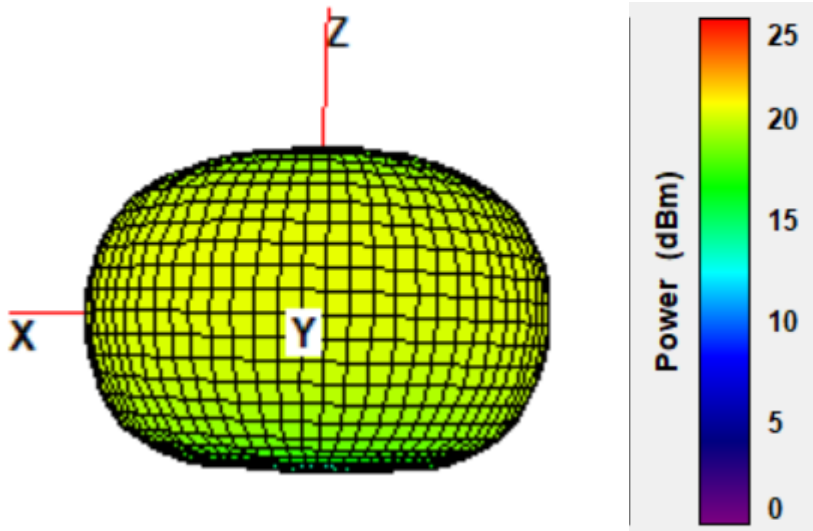


Figure 3 LTE Antenna Radiation Pattern at 707MHz.

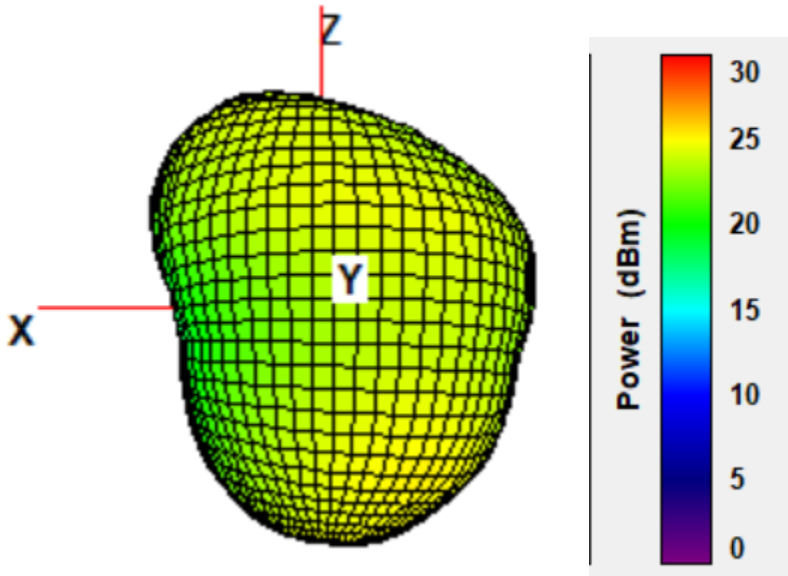


Figure 4 LTE Antenna Radiation Pattern at 1880MHz.