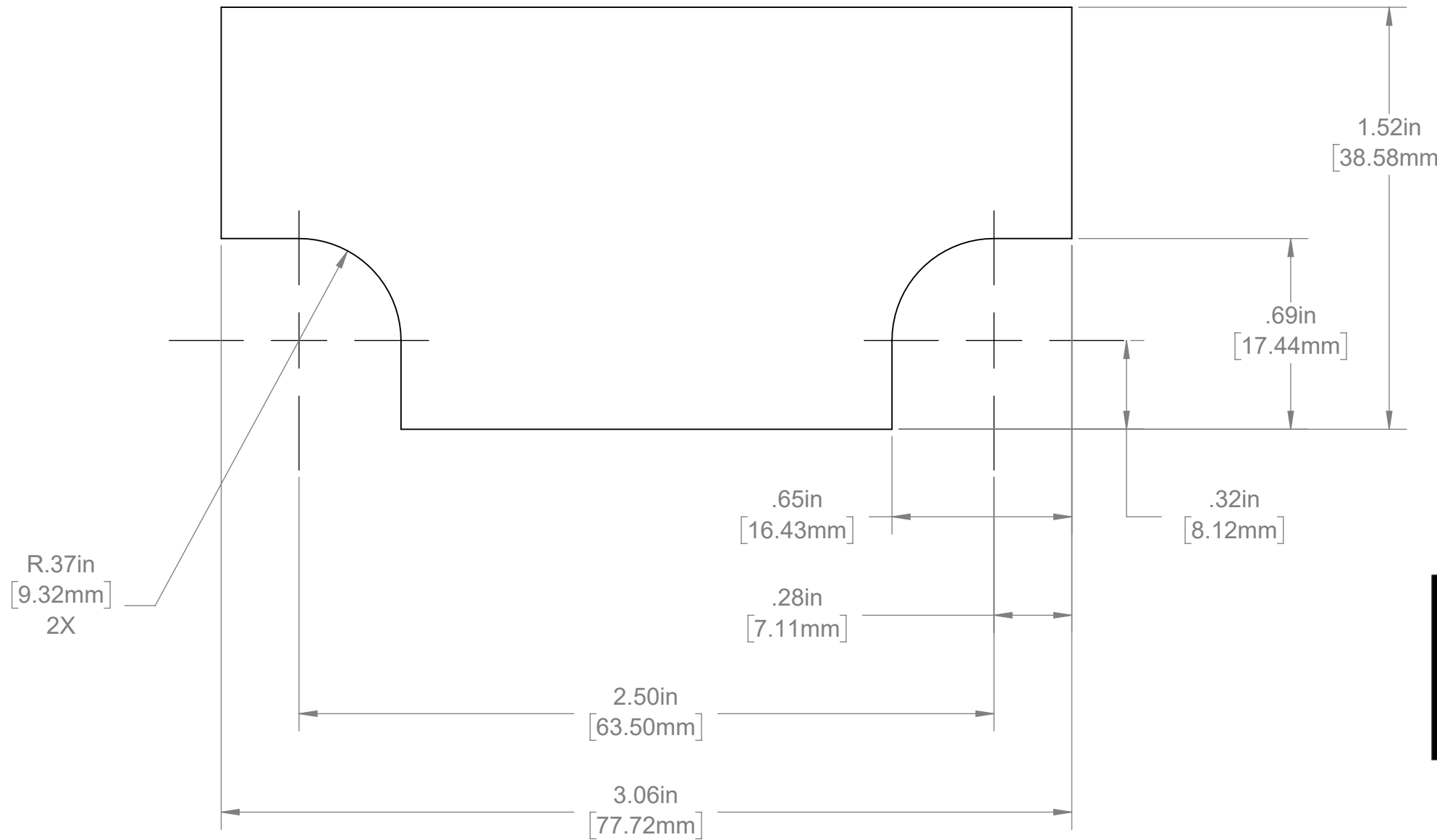


DRAWING NO:

10187

REVISION RECORD

REV	ECO #	DESCRIPTION OF CHANGE	NAME	MM/DD/YYYY	ZONE
A	12438	RELEASE TO PRODUCTION	KPG	05/15/2020	



**ALCOHOL MONITORING SYSTEMS, INC.**  
 THIS DEVICE COMPLIES WITH PART 15. OPERATION IS SUBJECT TO THE FOLLOWING TWO CONDITIONS: (1) THIS DEVICE MAY NOT CAUSE HARMFUL INTERFERENCE (2) THIS DEVICE MUST ACCEPT ANY INTERFERENCE RECEIVED, INCLUDING INTERFERENCE THAT MAY CAUSE UNDESIRABLE OPERATION.  
 !CAUTION - CONTAINS LI-ION BATTERY. DO NOT HEAT, THROW INTO FIRE, DEFORM, SHORT-CIRCUIT, IMMERSE IN OR WET WITH WATER.  
 MADE IN USA

**4G LTE**

CONFORMS TO ANSI/UL STD 60950-1 AND 62368-1  
 CERTIFIED TO CAN/CSA STD C22.2 NO. 60950-1 AND 62368-1

FCC ID: P8M-BS500  
 IC: 8549A-BS500  
 PMN: BS500  
 MODEL: BS500  
 INPUT: 5V  $\bar{\text{---}}$  1000mA

CONTAINS IC ID: 5131A-LE910NAV2  
 CONTAINS FCC ID: R17LE910NAV2I  
 PATENTS: WWW.SCRAMPATENTS.COM

**NOTES:**

- MATERIAL:
  - BASE: POLYESTER, 0.051MM (0.002") THICK
  - ADHESIVE: PERMANENT, 0.045MM (0.0018") THICK
- COLOR: WHITE TEXT ON BLACK BACKGROUND. 4G TEXT TO BE RED.
- REFERENCE EPS FILE FOR FONT AND LAYOUT
- FINISHED LABEL SHALL MEET DURABILITY REQUIREMENTS OF EUROPEAN REGULATORY STANDARDS FOR ELECTRICAL EQUIPMENT.

**AMS**  
 ALCOHOL MONITORING SYSTEMS, INC.

1241 W MINERAL AVE  
 LITTLETON, CO 80120  
 PHONE: (303)989-8900  
 FAX: (303)791-4262

TOLERANCE:	in	mm	3RD ANGLE 
.X	± 0.02	0.5	
.XX	± 0.01	0.25	
.XXX	± 0.005		

DRN: KGLAVAN

NOTES: -SOLIDWORKS CAD MODEL - DO NOT SCALE  
 -ALL MATERIAL, HARDWARE & FINISH USED IN THE MANUFACTURE OF THIS ITEM SHALL BE ROHS AND REACH COMPLIANT  
 -ALL DIMENSIONS ARE IN INCHES UNLESS OTHERWISE SPECIFIED  
 -DIMENSIONING AND TOLERANCING PER ASME Y14.5-2009

<b>PROPRIETARY AND CONFIDENTIAL</b> THE INFORMATION CONTAINED IN THIS DRAWING IS THE SOLE PROPERTY OF ALCOHOL MONITORING SYSTEMS, INC. ANY REPRODUCTION IN PART OR AS A WHOLE WITHOUT THE WRITTEN PERMISSION OF ALCOHOL MONITORING SYSTEMS, INC IS PROHIBITED.	<b>DESCRIPTION:</b> LABEL, REGULATORY, US, WBS LTE ATT	<b>REVISION:</b> A
<b>MATERIAL:</b> SEE NOTE 1	<b>FINISH:</b> SEE NOTE 1	
<b>SCALE:</b> 2:1	<b>DRAWING SIZE:</b> B	<b>SHEET:</b> 1 OF 1