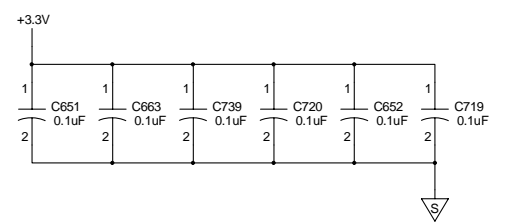
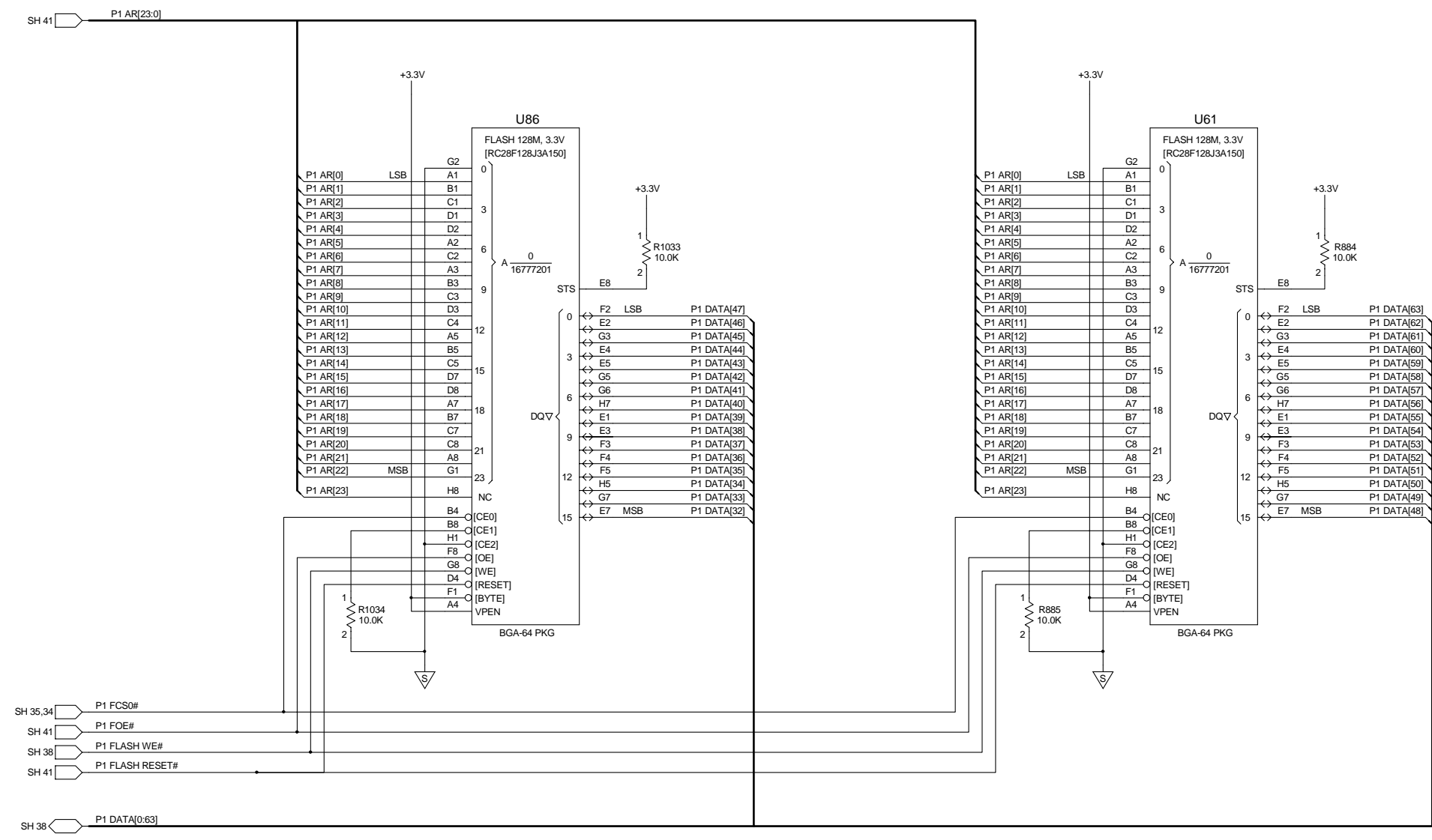


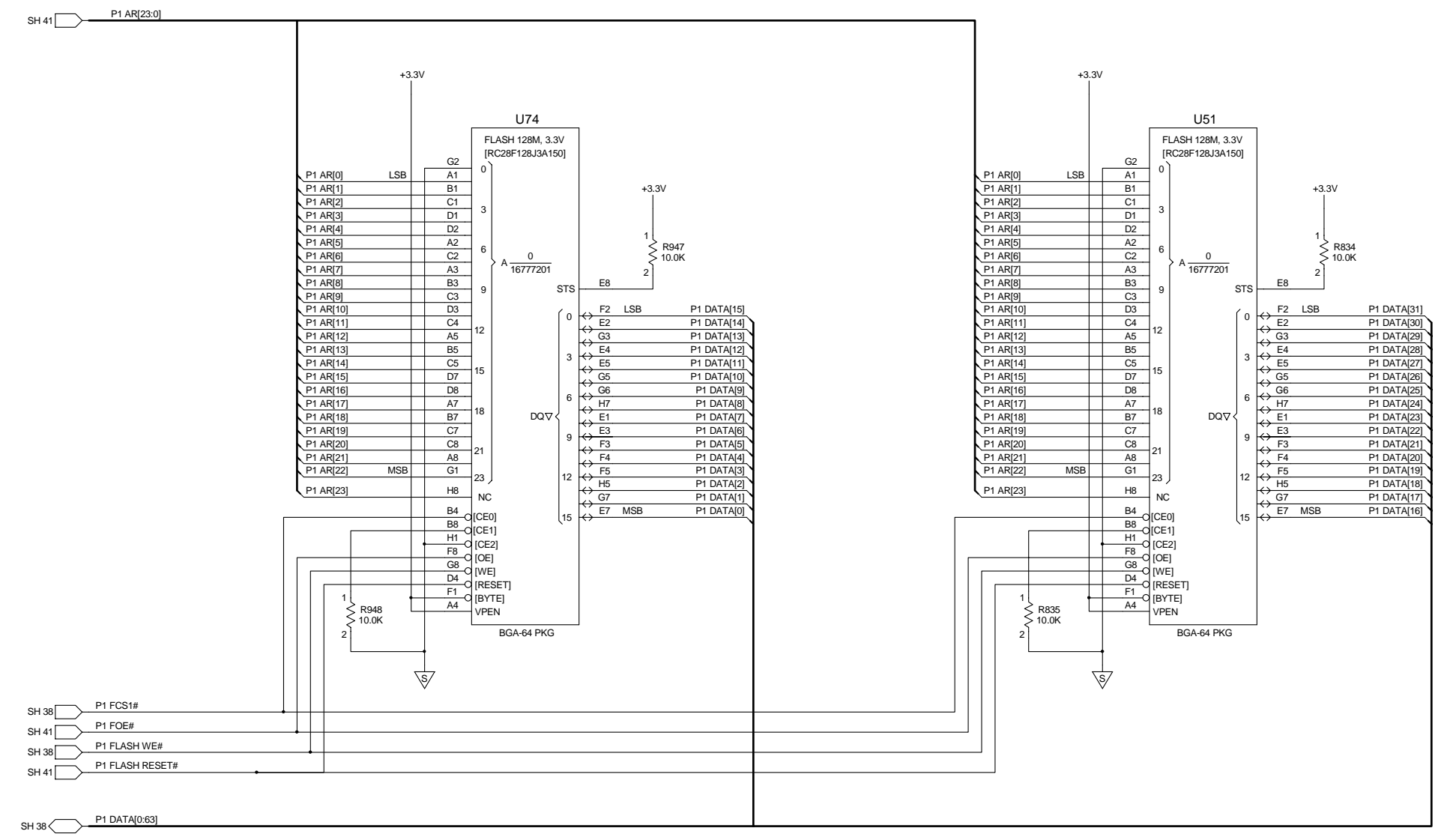
REVISIONS	
REV	DESCRIPTION
G	UPDATED SHEET NUMBERS



P1 PROCESSOR  
P1 FLASH MEMORY - BANK 1 (2 OF 2)  
SHEET NO. 8 OF 14

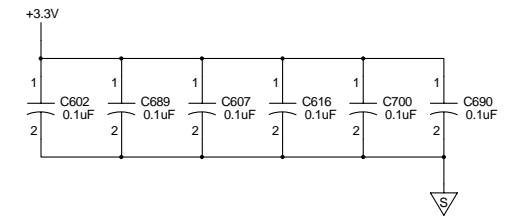
COMPUTER GENERATED

REVISIONS	
REV	DESCRIPTION
G	UPDATED SHEET NUMBERS



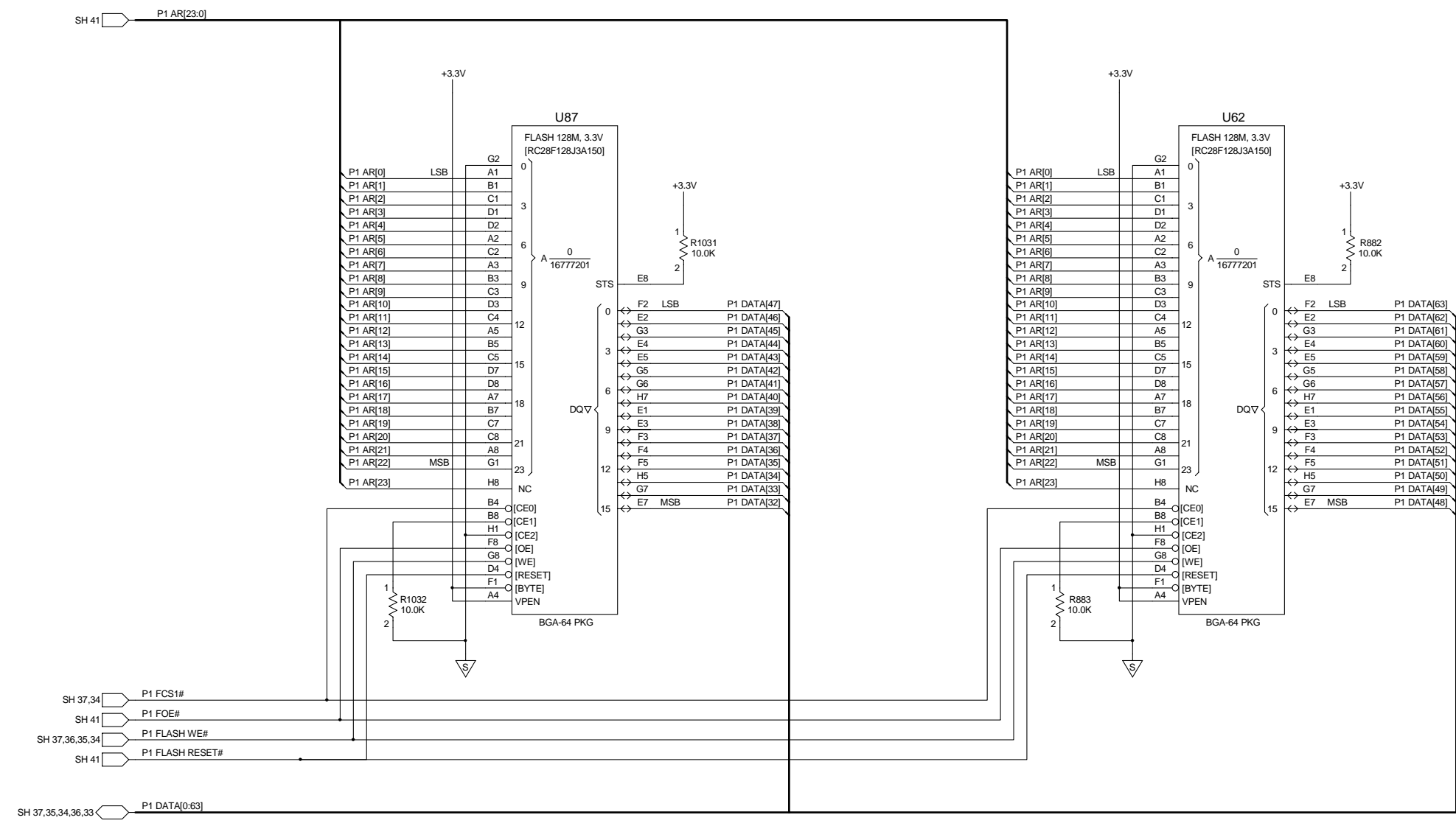
P1 PROCESSOR  
P1 FLASH MEMORY - BANK 2 (1 OF 2)  
64M BYTES  
SHEET NO. 9 OF 14

Design Notes:  
1. The MPC8245 accommodates only single-beat writes to Flash memory. If an attempt is made to write to Flash with a data size other than the full data-path size, the MPC8245 does not report an error. Thus, if software is writing to Flash, the write operations should be sized to the data-path width (64 bits) because only a single write enable (WE#) strobe is available



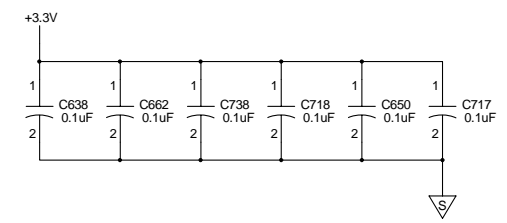
COMPUTER GENERATED

REVISIONS	
REV	DESCRIPTION
G	UPDATED SHEET NUMBERS

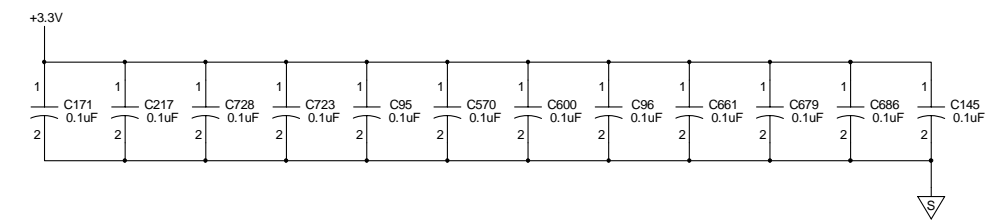
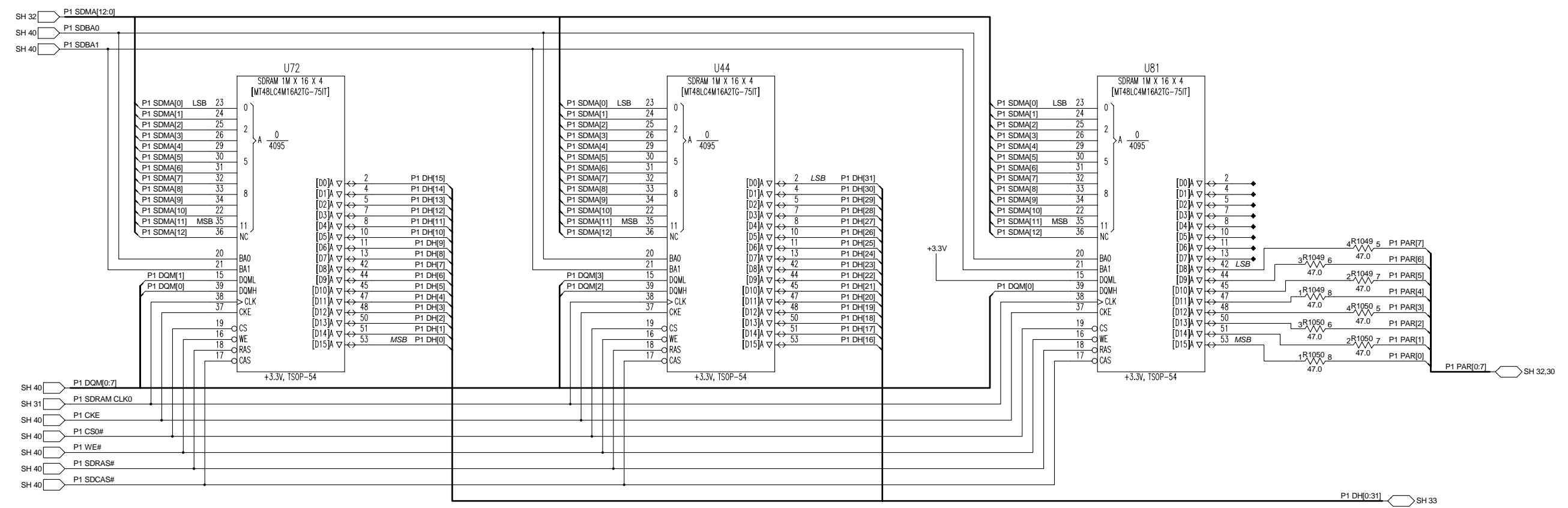


P1 PROCESSOR  
P1 FLASH MEMORY - BANK 2 (2 OF 2)  
SHEET NO. 10 OF 14

COMPUTER GENERATED



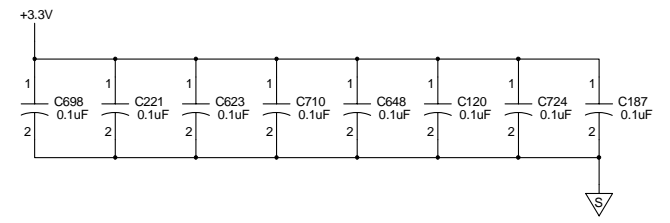
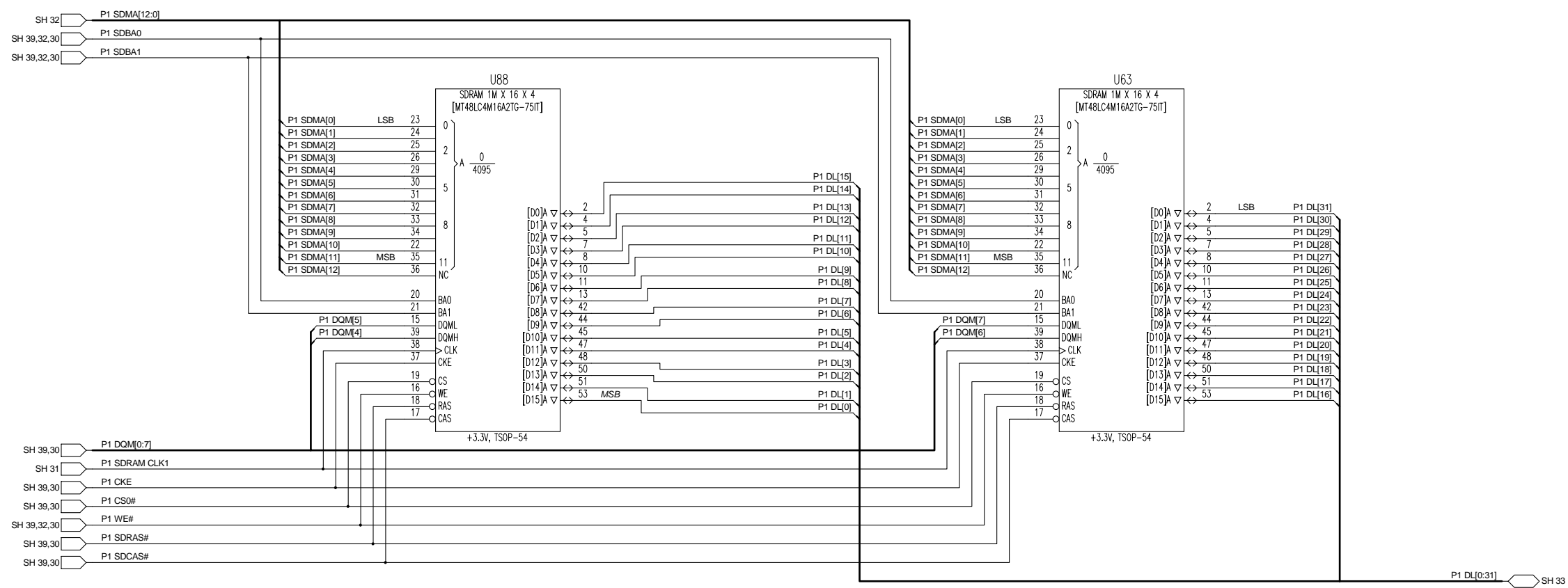
REVISIONS	
REV	DESCRIPTION
G	UPDATED SHEET NUMBERS



P1 PROCESSOR  
P1 SDRAM MEMORY - 32M BYTES (1 OF 2)  
P1 SDRAM ECC - 8M BYTES  
SHEET NO. 11 OF 14

COMPUTER GENERATED

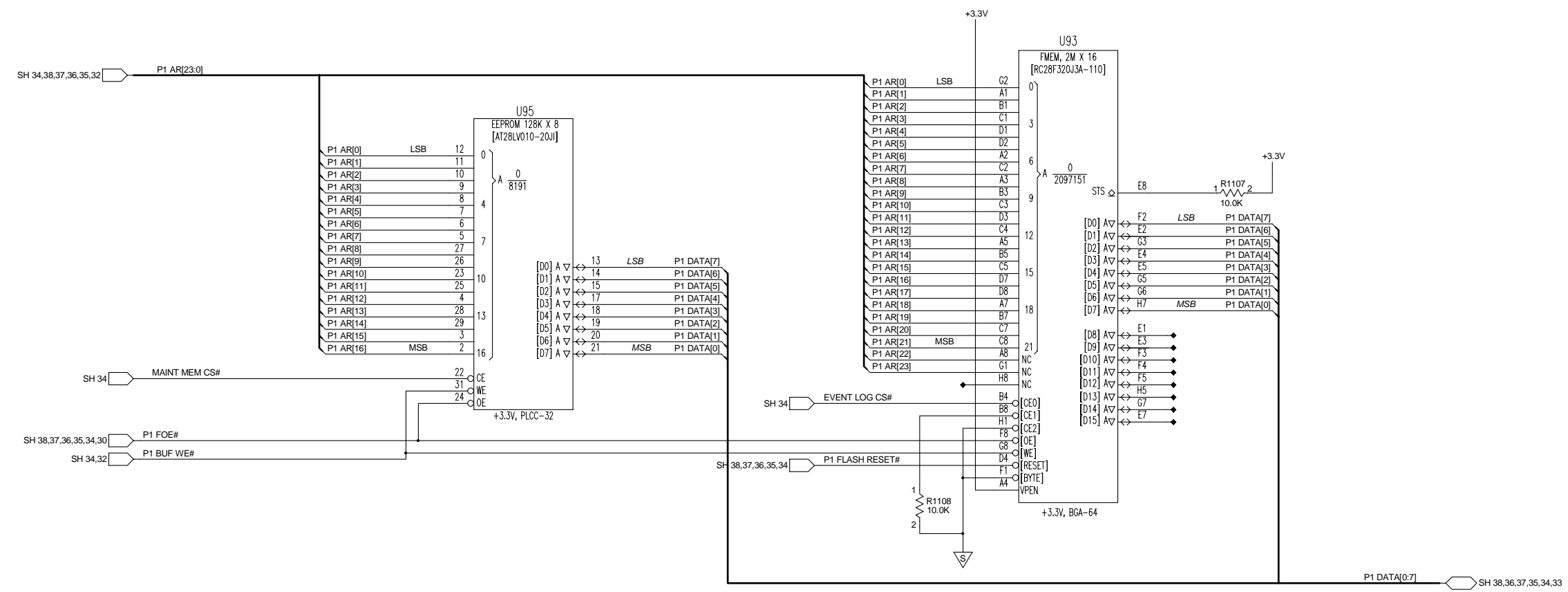
REVISIONS	
REV	DESCRIPTION
G	UPDATED SHEET NUMBERS



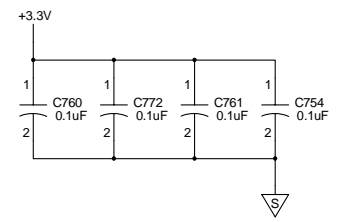
P1 PROCESSOR  
P1 SDRAM MEMORY - 32M BYTES (2 OF 2)  
SHEET NO. 12 OF 14

COMPUTER GENERATED

REVISIONS	
REV	DESCRIPTION
G	UPDATED SHEET NUMBERS



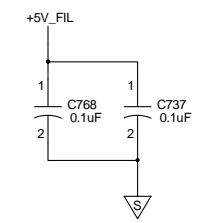
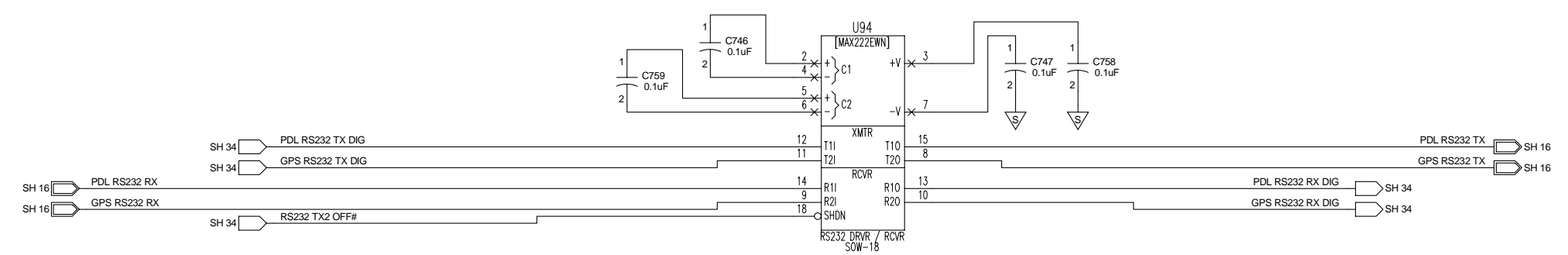
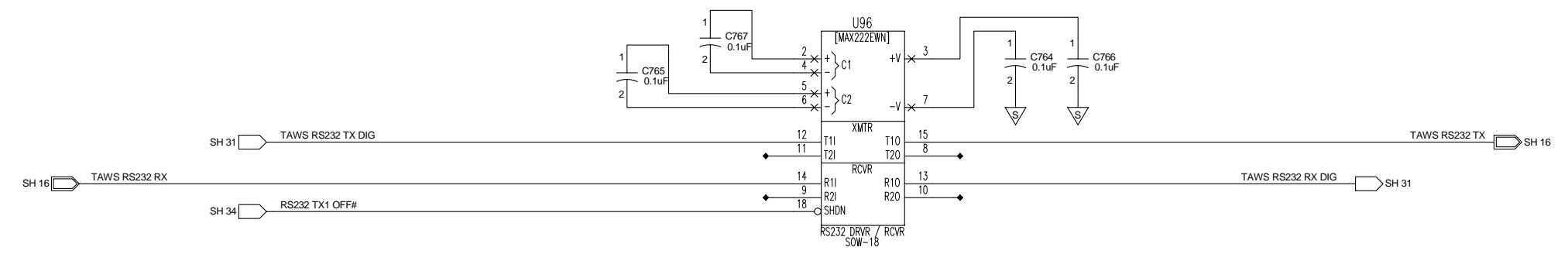
P1 PROCESSOR  
P1 MAINTENANCE MEMORY - 128K BYTES EEPROM  
P1 EVENT LOG MEMORY - 4M BYTES FLASH  
SHEET NO. 13 OF 14



COMPUTER GENERATED

<b>ACSS</b>	SEE FIRST SHEET FOR CONTRACT NUMBER. USE OR DISCLOSURE OF INFORMATION ON THIS SHEET IS SUBJECT TO THE RESTRICTIONS ON THE FIRST SHEET OF THIS DOCUMENT.	SIZE	CAGE CODE	DWG. NO.	REV
		D	1WYD3	9000020-001	G
SCALE: NONE		SHEET		41	

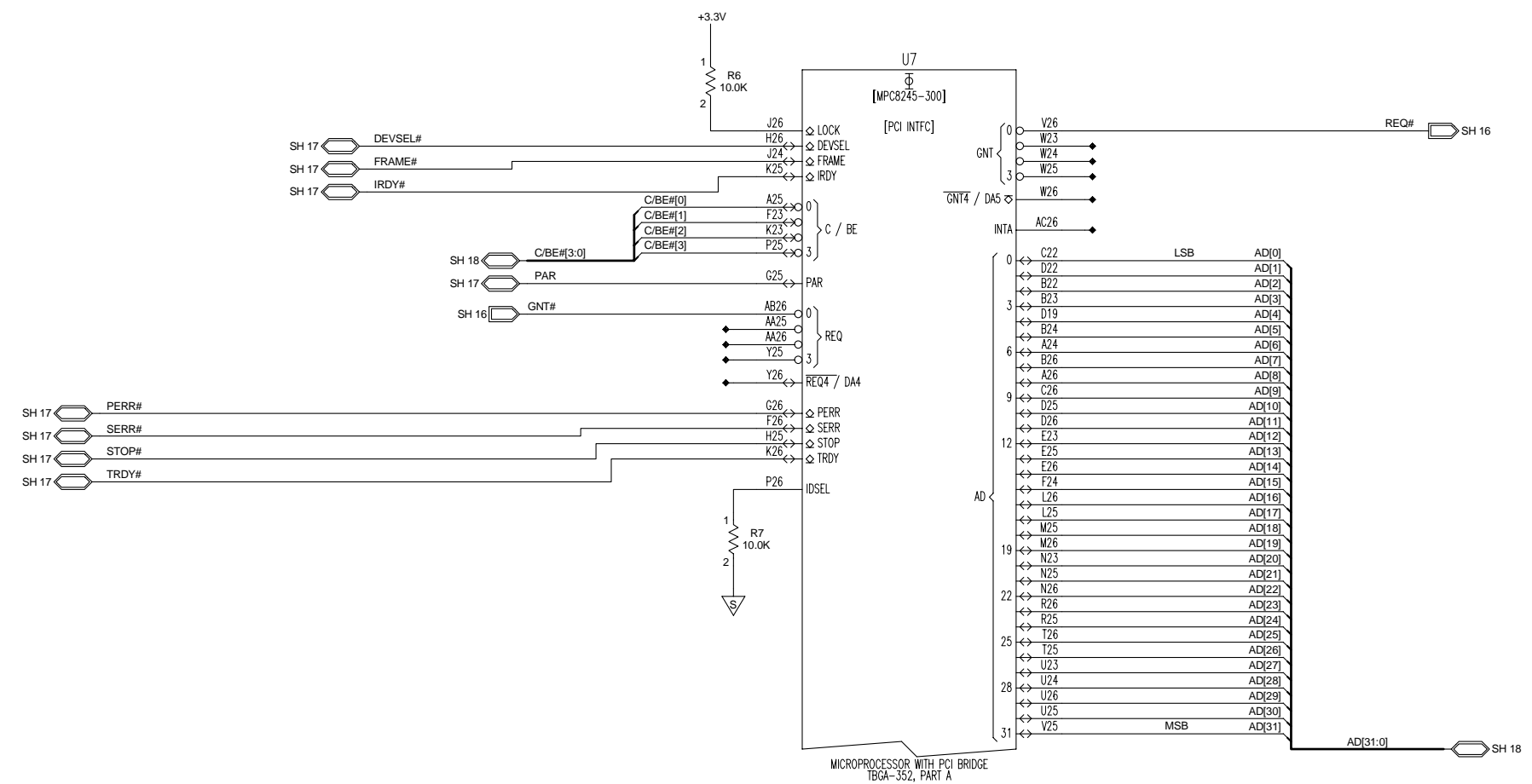
REVISIONS	
REV	DESCRIPTION
G	CORRECTED SIGNAL NAME, ZONE B3: PDL RS232 TX WAS PDL RS323 TX. UPDATED SHEET NUMBERS.



P1 PROCESSOR  
RS232 INTERFACE  
SHEET NO. 14 OF 14

COMPUTER GENERATED

REVISIONS	
REV	DESCRIPTION
G	CHANGE U7 - WAS MPC8245-250. UPDATED SHEET NUMBER.



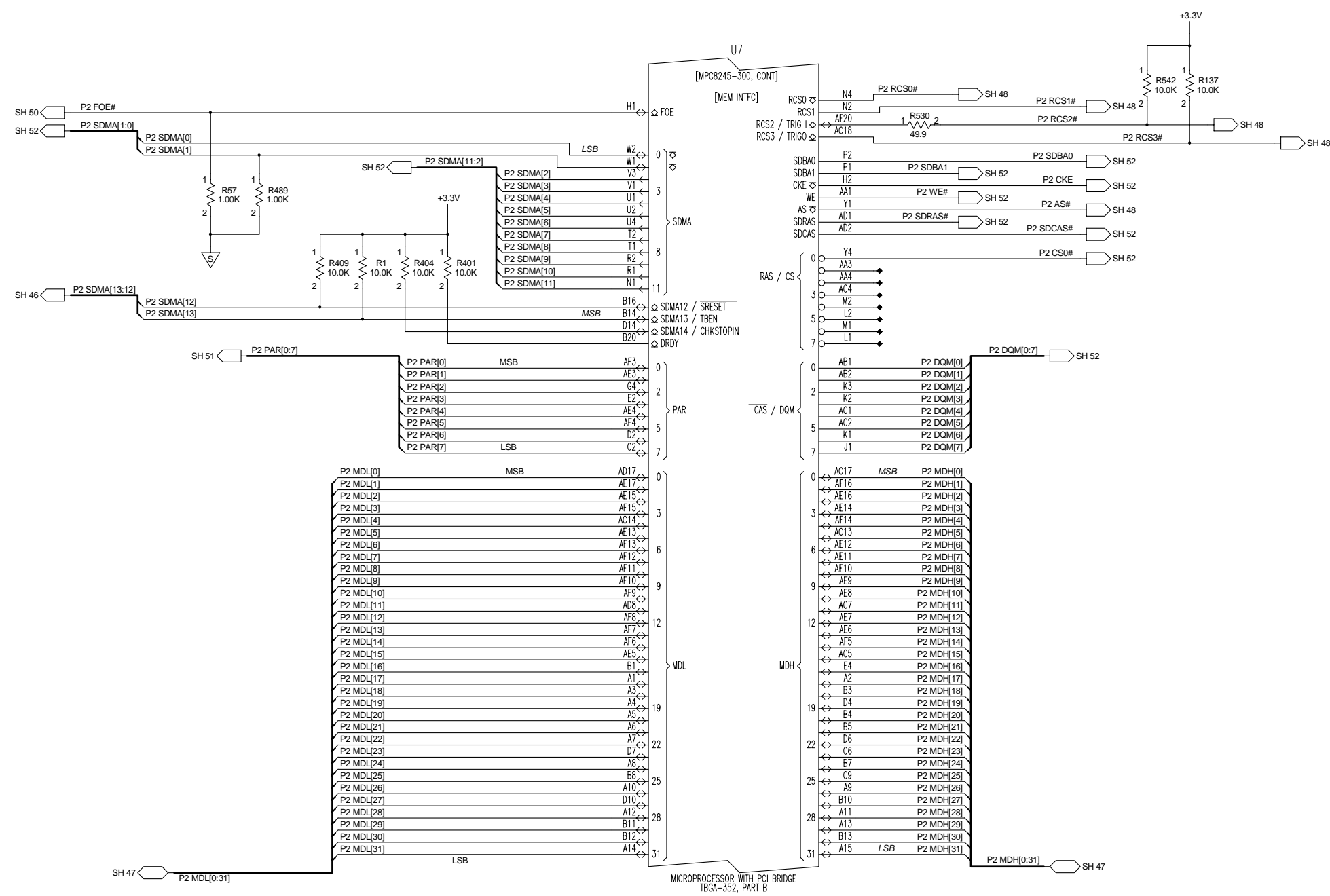
P2 PROCESSOR - MPC8245  
 PCI INTERFACE  
 SHEET NO. 1 OF 10

COMPUTER GENERATED

<b>ACSS</b>	SEE FIRST SHEET FOR CONTRACT NUMBER. USE OR DISCLOSURE OF INFORMATION ON THIS SHEET IS SUBJECT TO THE RESTRICTIONS ON THE FIRST SHEET OF THIS DOCUMENT.	SIZE	CAGE CODE	DWG. NO.	REV
		D	1WYD3	9000020-001	G
SCALE: NONE				SHEET 43	



REVISIONS	
REV	DESCRIPTION
G	CHANGE U7 - WAS MPC8245-250. UPDATED SHEET NUMBER.

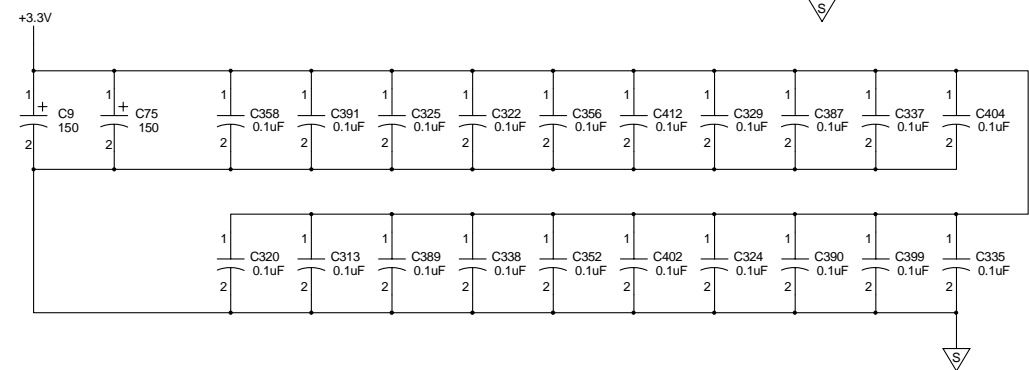
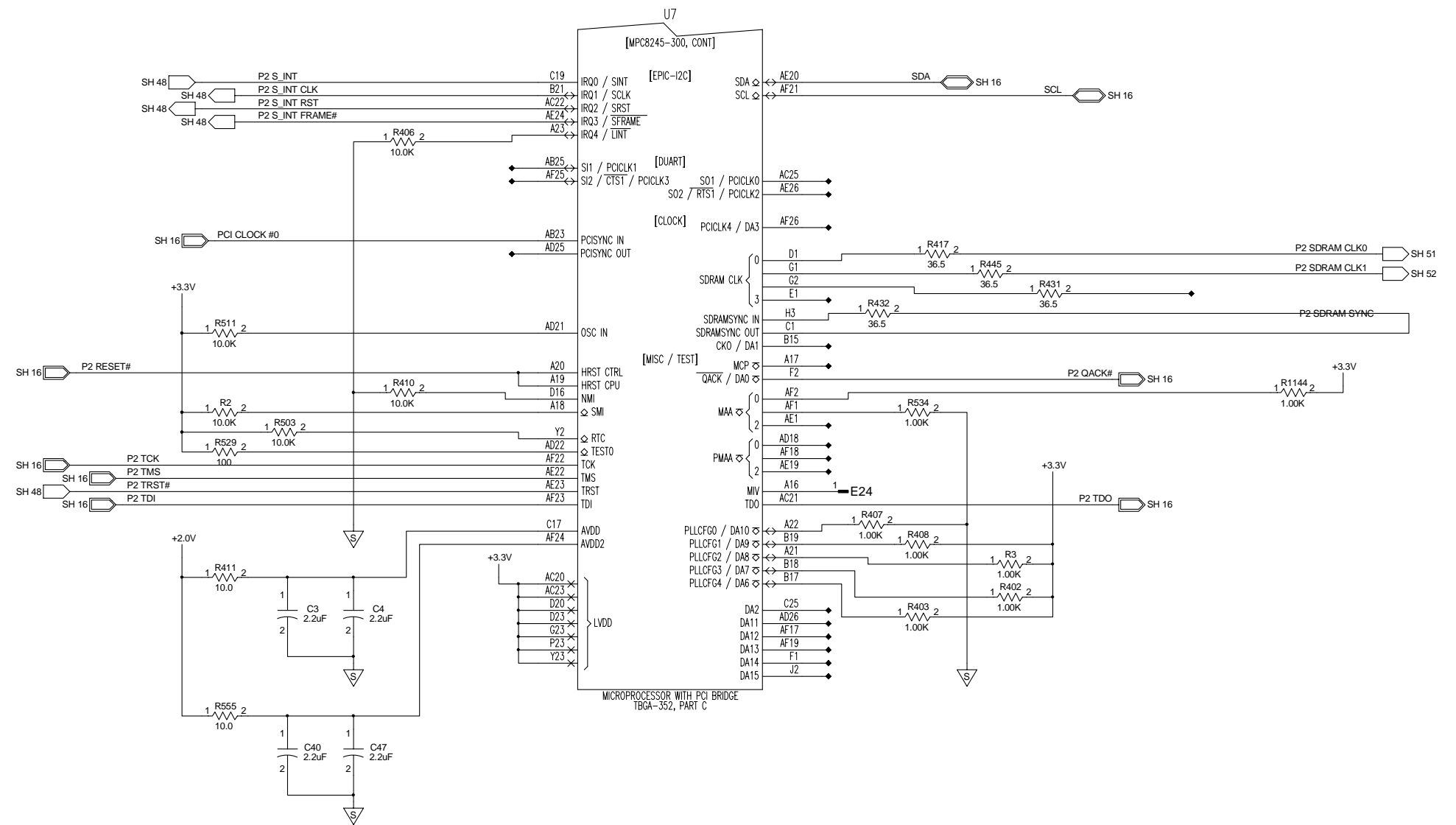
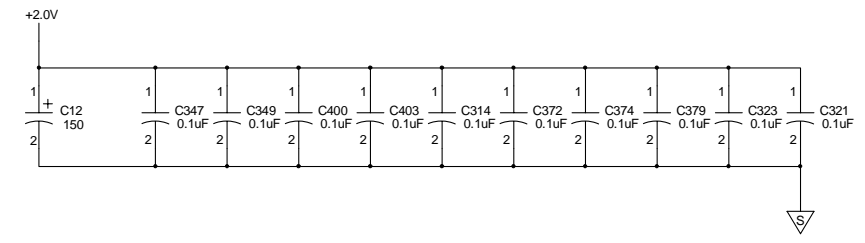


P2 PROCESSOR - MPC8245  
 MEMORY INTERFACE  
 SHEET NO. 2 OF 10

COMPUTER GENERATED

<b>ACSS</b>	SEE FIRST SHEET FOR CONTRACT NUMBER. USE OR DISCLOSURE OF INFORMATION ON THIS SHEET IS SUBJECT TO THE RESTRICTIONS ON THE FIRST SHEET OF THIS DOCUMENT.	SIZE <b>D</b>	CAGE CODE <b>1WYD3</b>	DWG. NO. <b>9000020-001</b>	REV <b>G</b>
	SCALE: NONE	SHEET 44			

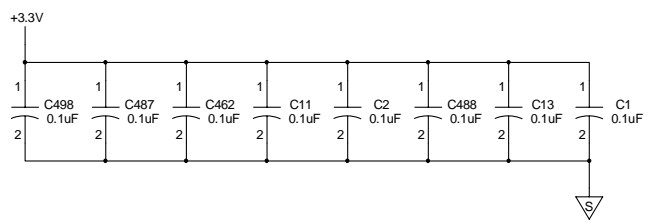
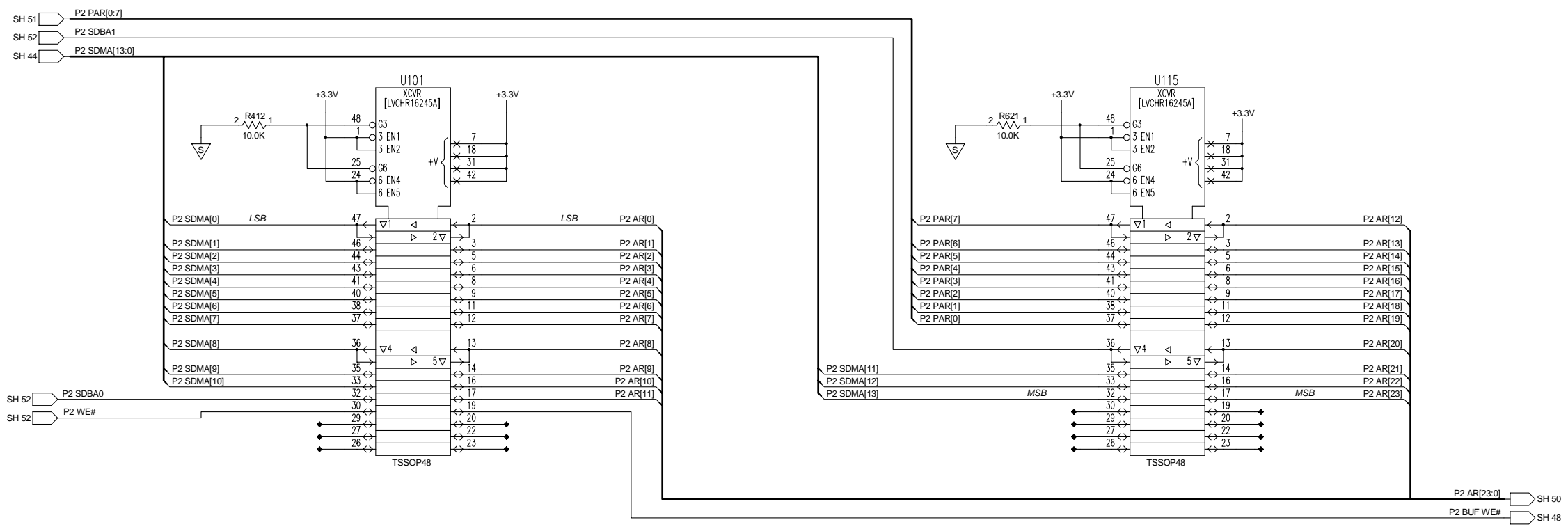
REVISIONS	
REV	DESCRIPTION
G	CHANGE U7 - WAS MPC8245-250. ADDED R1144. CHANGE R407 CONNECTION FROM 3.3V TO GND. CHANGE R403 AND R408 CONNECTION FROM GND TO 3.3V. UPDATED SHEET NUMBER.



P2 PROCESSOR - MPC8245  
 INT, CLK, DUART, SYS, I2C, DEBUG & TST INTERFACE  
 SHEET NO. 3 OF 10

COMPUTER GENERATED

REVISIONS	
REV	DESCRIPTION
G	UPDATED SHEET NUMBERS

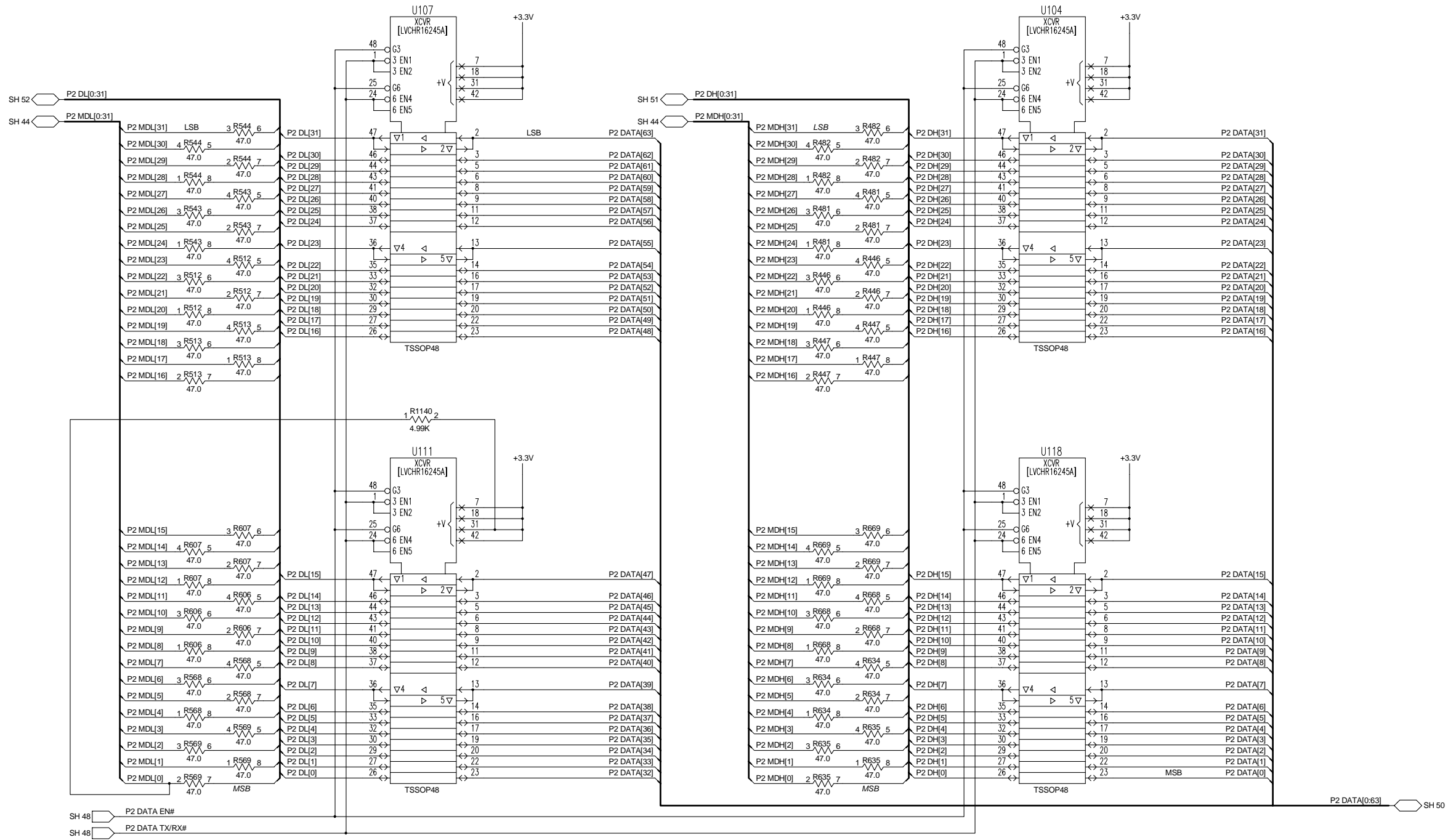


P2 PROCESSOR - ADDRESS BUS BUFFERS  
SHEET NO. 4 OF 10

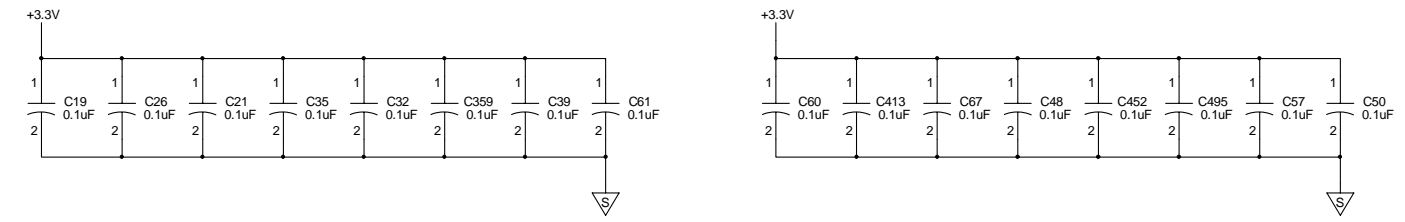
COMPUTER GENERATED

<b>ACSS</b>	SEE FIRST SHEET FOR CONTRACT NUMBER. USE OR DISCLOSURE OF INFORMATION ON THIS SHEET IS SUBJECT TO THE RESTRICTIONS ON THE FIRST SHEET OF THIS DOCUMENT.	SIZE	CAGE CODE	DWG. NO.	REV
		D	1WYD3	9000020-001	G
SCALE: NONE		SHEET		46	

REVISIONS	
REV	DESCRIPTION
G	ADDED R1140. UPDATED SHEET NUMBERS.



SH 48 P2 DATA EN#  
SH 48 P2 DATA TX/RX#



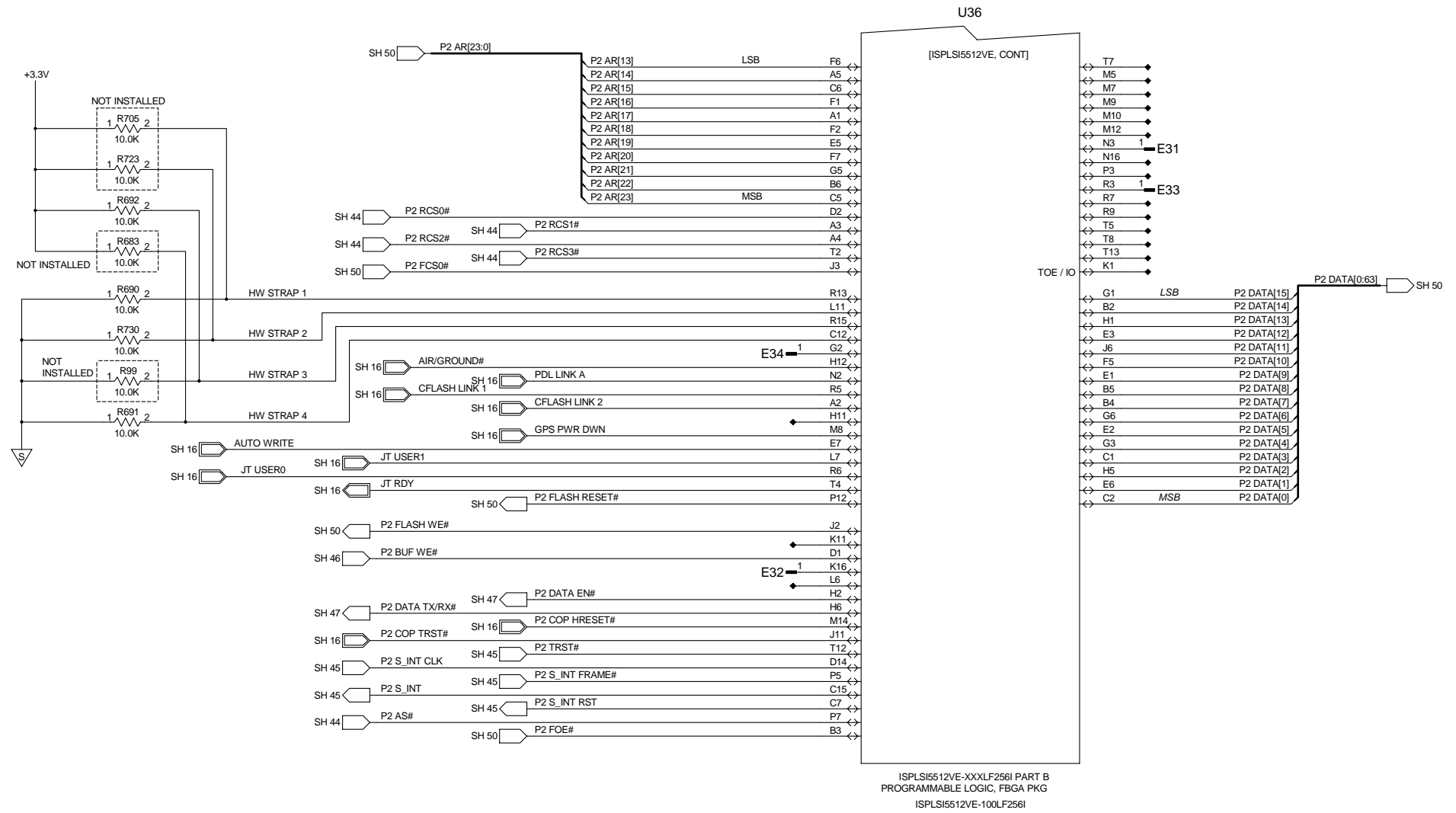
P2 PROCESSOR - DATA BUS BUFFERS  
SHEET NO. 5 OF 10

COMPUTER GENERATED

<b>ACSS</b>	SEE FIRST SHEET FOR CONTRACT NUMBER. USE OR DISCLOSURE OF INFORMATION ON THIS SHEET IS SUBJECT TO THE RESTRICTIONS ON THE FIRST SHEET OF THIS DOCUMENT.	SIZE	CAGE CODE	DWG. NO.	REV
		D	1WYD3	9000020-001	G
		SCALE: NONE	SHEET 47		

REVISIONS	
REV	DESCRIPTION
G	CHANGE U36 - WAS ISPLSI5512VE-80LF256I. INSTALL R692. UN-INSTALL R99. UPDATE SHEET NUMBER.

HST1 HST2 HST3 HST4 HARDWARE STRAPPING  
X X X X TBD



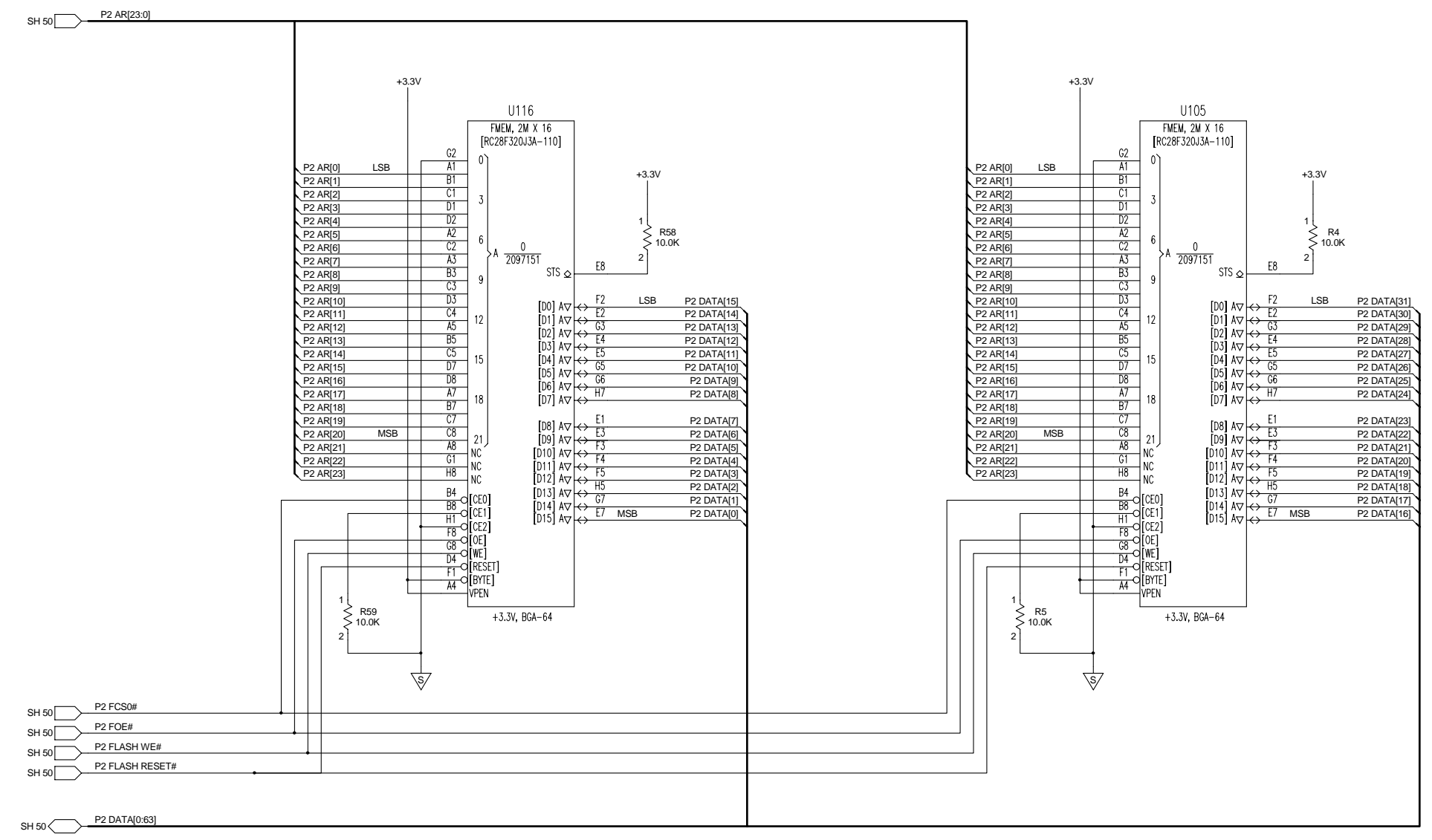
ISPLSI5512VE-XXXLF256I PART B  
PROGRAMMABLE LOGIC, FBGA PKG  
ISPLSI5512VE-100LF256I

P2 PROCESSOR  
P2 CPLD - DECODE LOGIC  
SHEET NO. 6 OF 10

COMPUTER GENERATED

<b>ACSS</b>	SEE FIRST SHEET FOR CONTRACT NUMBER. USE OR DISCLOSURE OF INFORMATION ON THIS SHEET IS SUBJECT TO THE RESTRICTIONS ON THE FIRST SHEET OF THIS DOCUMENT.	SIZE	CAGE CODE	DWG. NO.	REV
		D	1WYD3	9000020-001	G
		SCALE: NONE	SHEET 48		

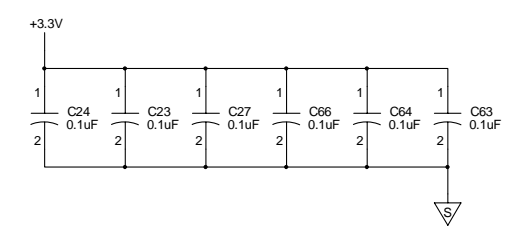
REVISIONS	
REV	DESCRIPTION
G	UPDATED SHEET NUMBERS



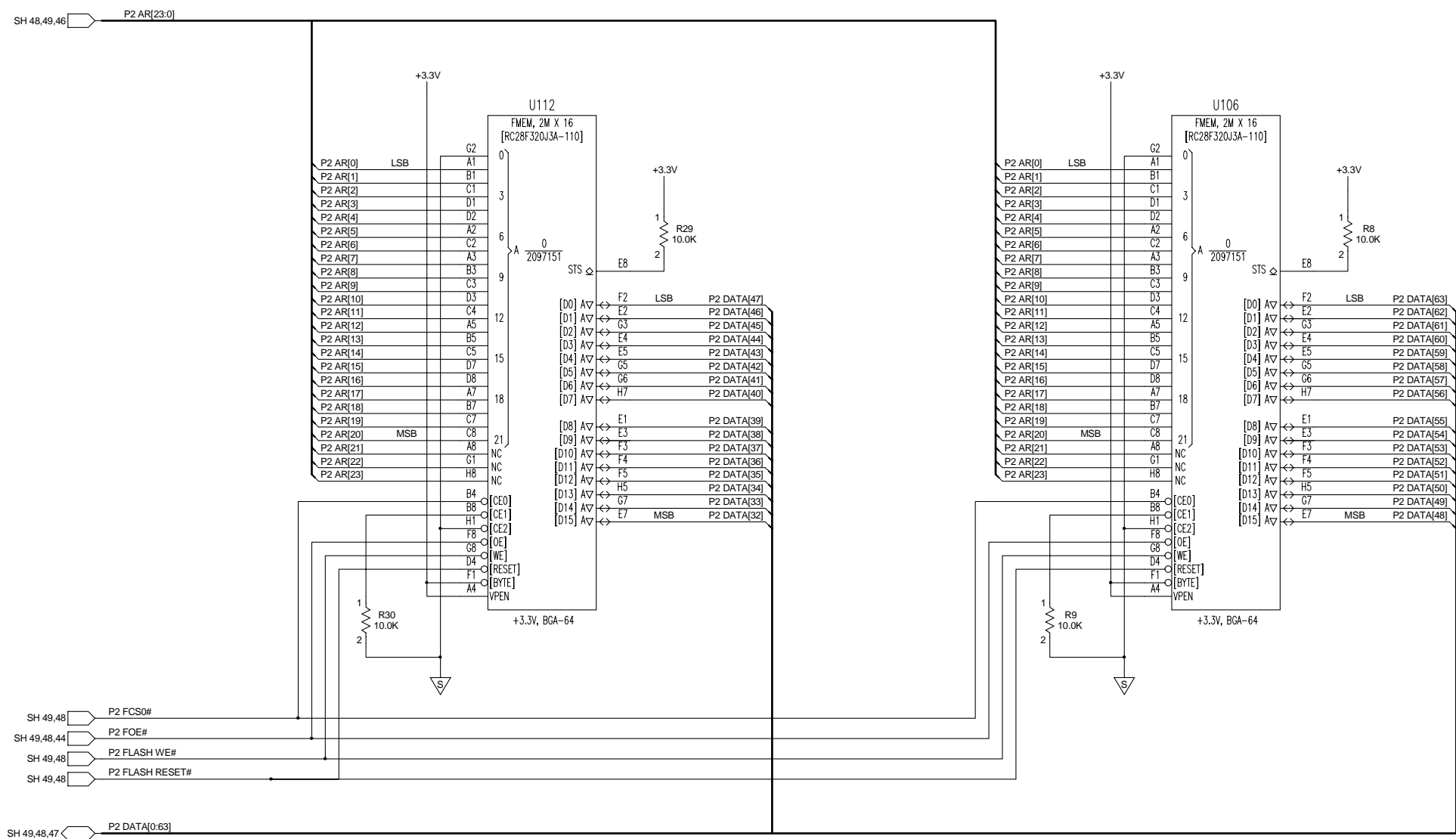
P2 PROCESSOR  
P2 FLASH MEMORY - BANK 1 (1 OF 2)  
16M BYTES  
SHEET NO. 7 OF 10

COMPUTER GENERATED

Design Notes:  
1. The MPC8245 accommodates only single-beat writes to Flash memory. If an attempt is made to write to Flash with a data size other than the full data-path size, the MPC8245 does not report an error. Thus, if software is writing to Flash, the write operations should be sized to the data-path width (64 bits) because only a single write enable (WE#) strobe is available.

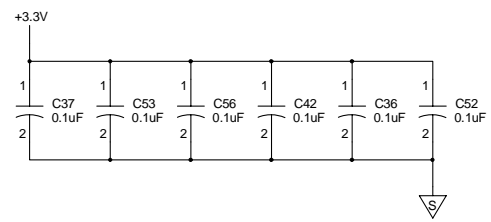


REVISIONS	
REV	DESCRIPTION
G	UPDATED SHEET NUMBERS

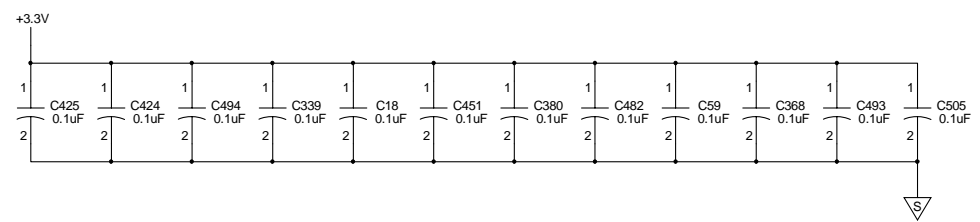
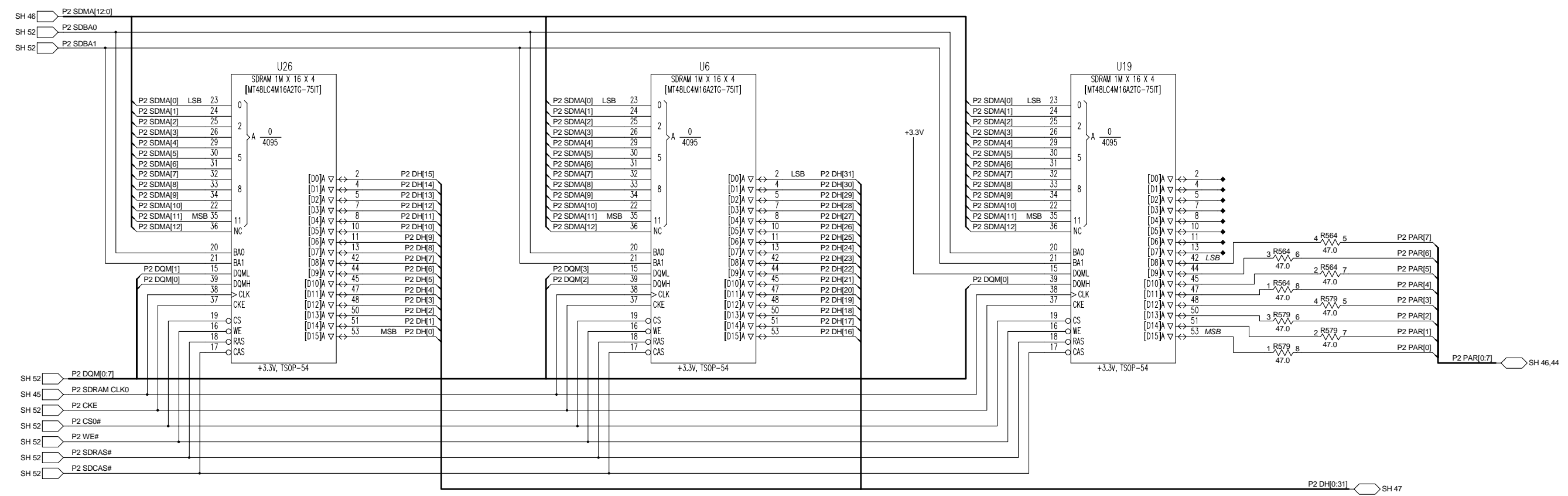


P2 PROCESSOR  
P2 FLASH MEMORY - BANK 1 (2 OF 2)  
SHEET NO. 8 OF 10

COMPUTER GENERATED



REVISIONS	
REV	DESCRIPTION
G	UPDATED SHEET NUMBERS

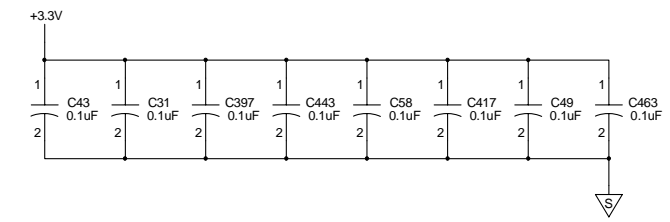
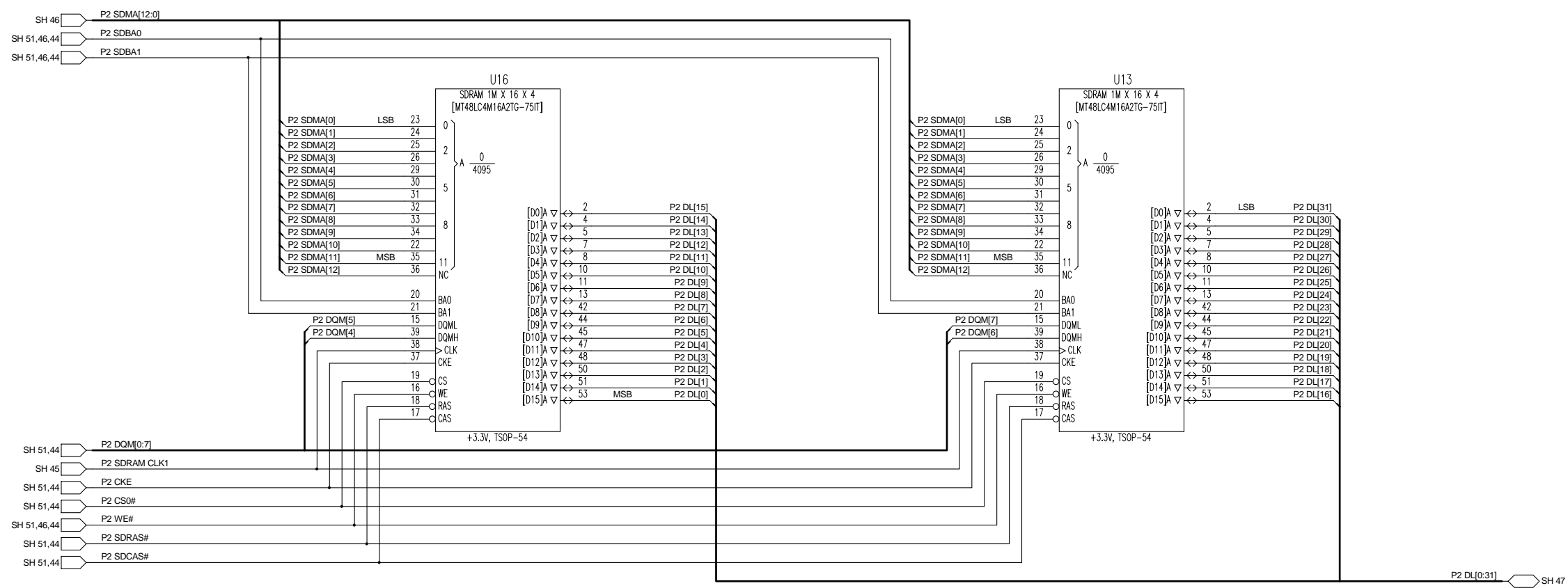


P2 PROCESSOR  
P2 SDRAM MEMORY - 32M BYTES (1 OF 2)  
P2 SDRAM ECC - 8M BYTES  
SHEET NO. 9 OF 10

COMPUTER GENERATED



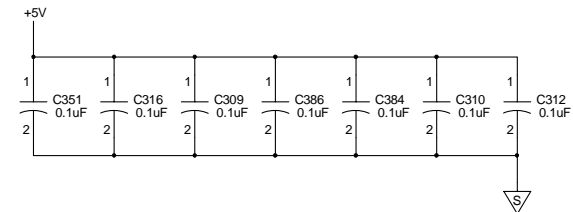
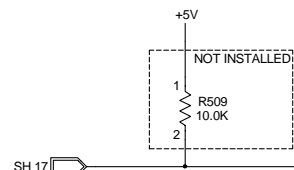
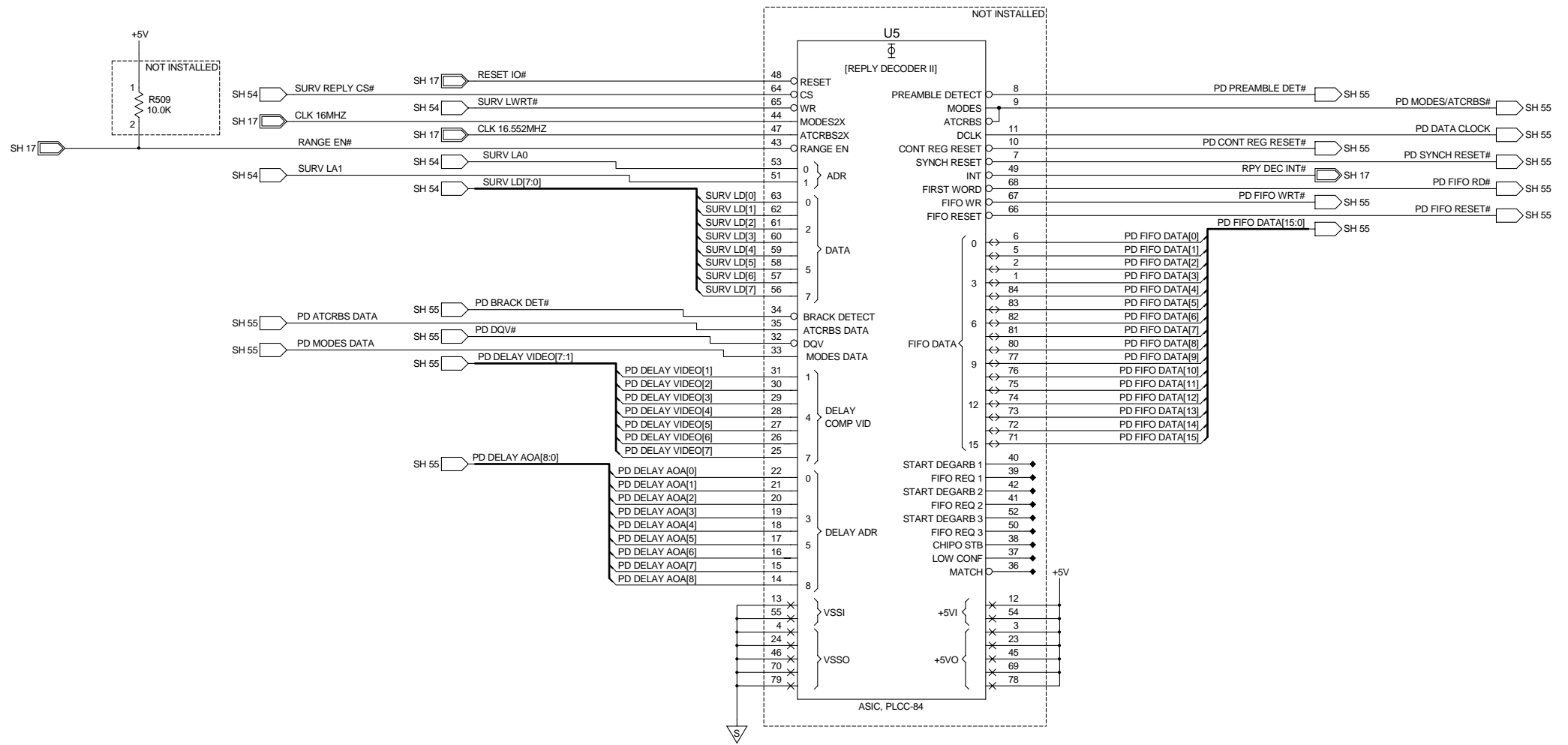
REVISIONS	
REV	DESCRIPTION
G	UPDATED SHEET NUMBERS



P2 PROCESSOR  
P2 SDRAM MEMORY - 32M BYTES (2 OF 2)  
SHEET NO. 10 OF 10

COMPUTER GENERATED

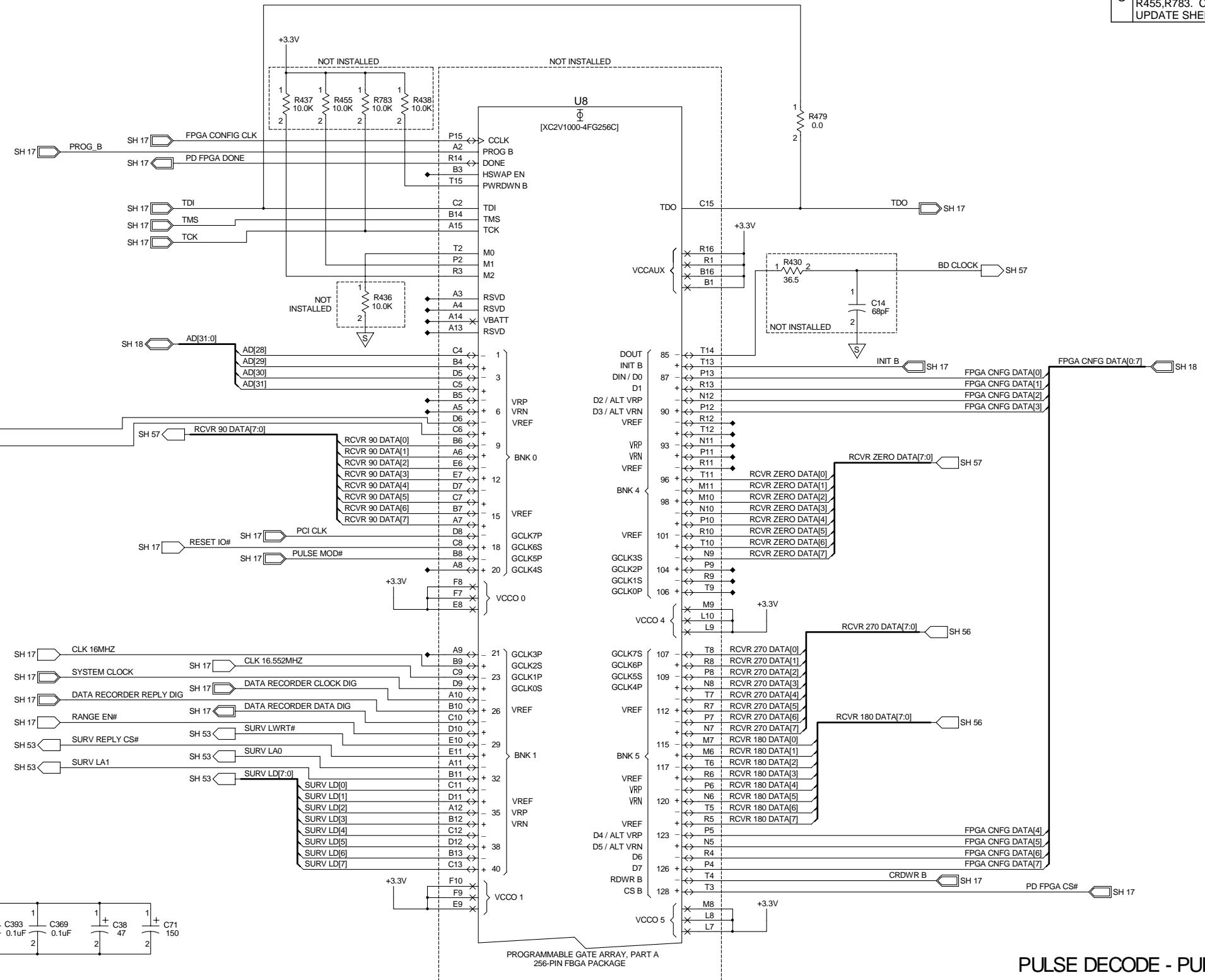
REVISIONS	
REV	DESCRIPTION
G	CHANGED TO NOT INSTALLED: U5,R509; UPDATED SHEET NUMBERS



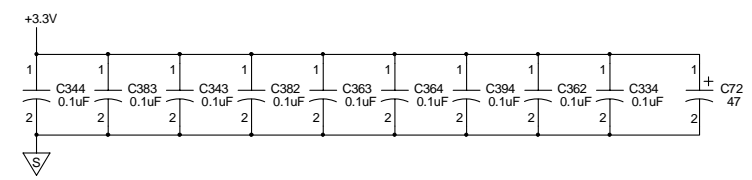
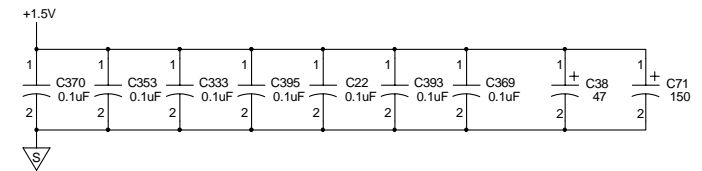
PULSE DECODE - REPLY DECODER ASIC  
SHEET NO. 1 OF 5

COMPUTER GENERATED

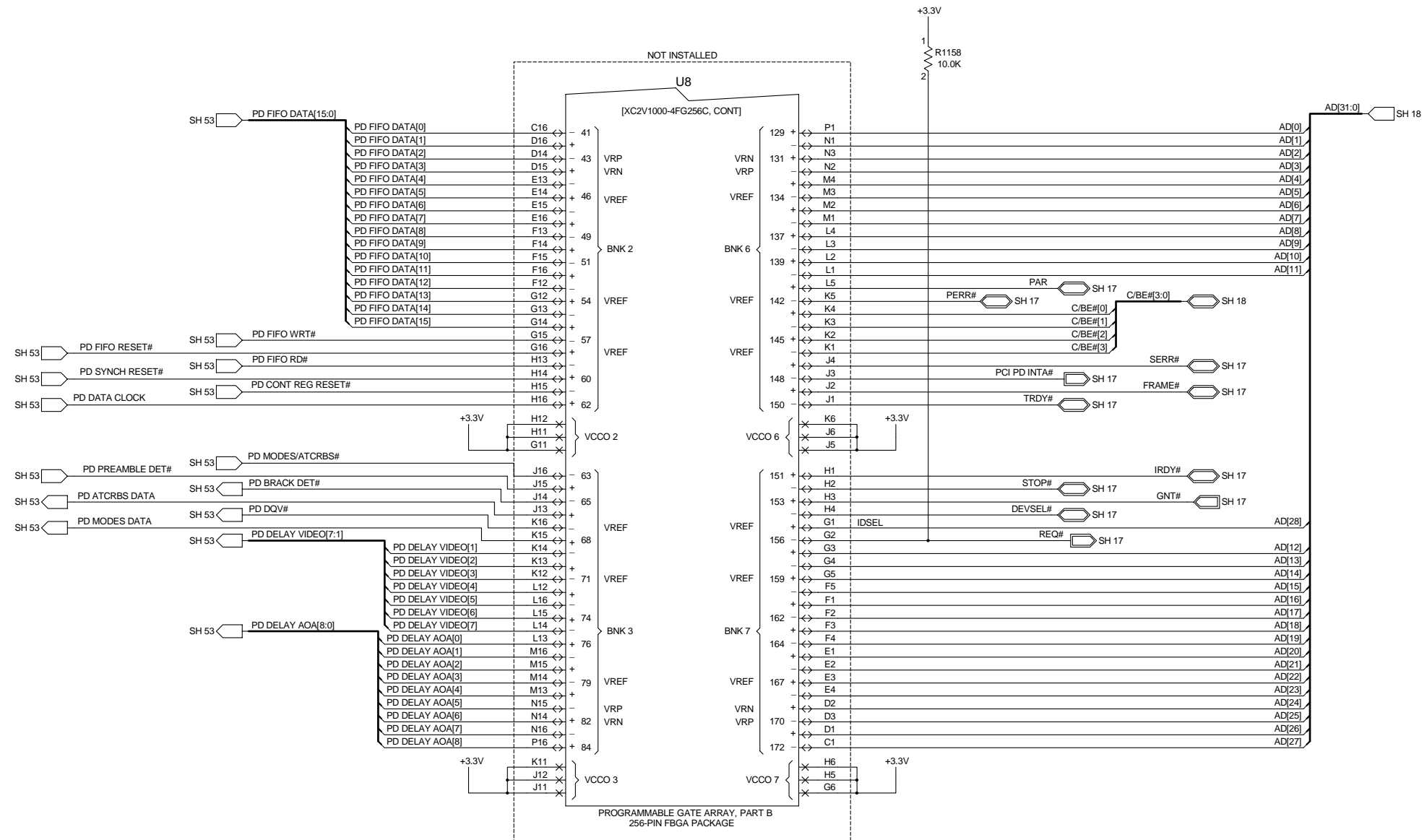
REVISIONS	
REV	DESCRIPTION
G	CHANGED TO NOT INSTALLED: U8,C14,R430,R436,R437,R438, R455,R783. CHANGE TO INSTALLED: R479. UPDATE SHEET NUMBER.



COMPUTER GENERATED



REVISIONS	
REV	DESCRIPTION
G	CHANGED TO NOT INSTALLED: U8 UPDATED SHEET NUMBERS
H	ADDED R1158.

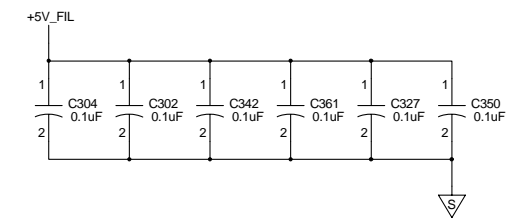
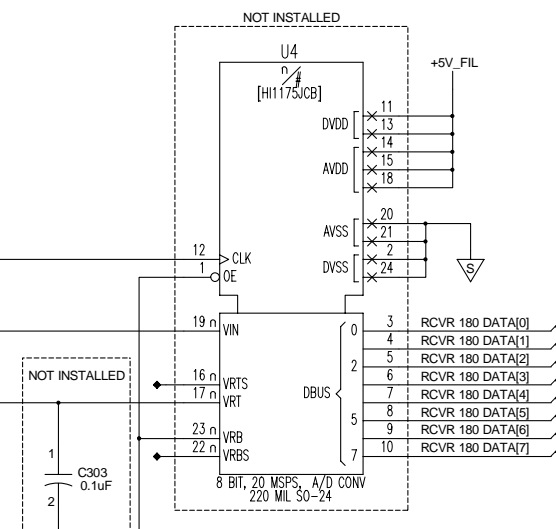
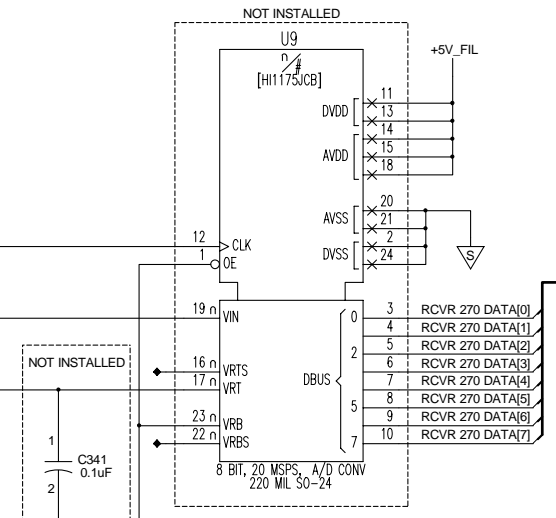
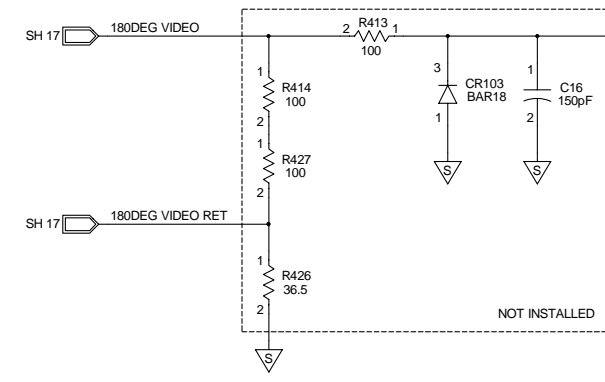
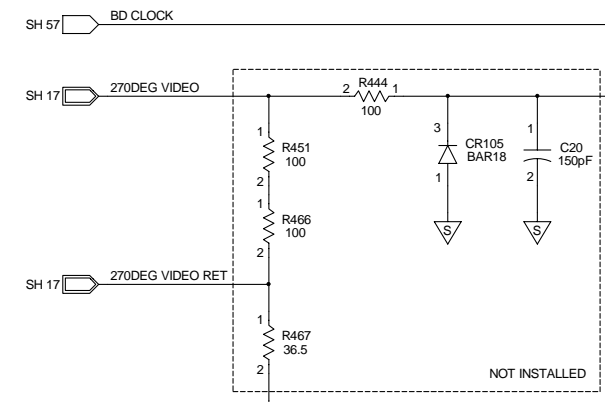
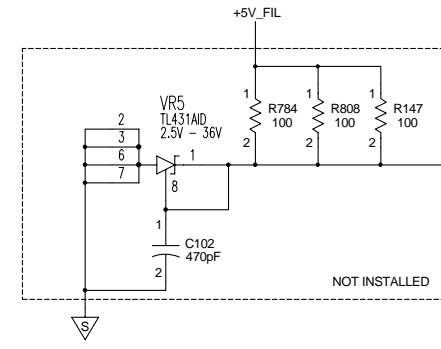


PULSE DECODE - PULSE DECODER FPGA (2 OF 2)  
SHEET NO. 3 OF 5

COMPUTER GENERATED

<b>ACSS</b>	SEE FIRST SHEET FOR CONTRACT NUMBER. USE OR DISCLOSURE OF INFORMATION ON THIS SHEET IS SUBJECT TO THE RESTRICTIONS ON THE FIRST SHEET OF THIS DOCUMENT.	SIZE <b>D</b>	CAGE CODE <b>1WYD3</b>	DWG. NO. <b>9000020-001</b>	REV <b>H</b>
	SCALE: NONE	SHEET 55			

DWG. NO.	9000020-001	SH.	56	REV.	G
REVISIONS					
REV	DESCRIPTION				
G	CHANGED TO NOT INSTALLED: U4, U9, VR5, CR103, CR105, C16, C20, C102, R147, R413, R414, R426, R427, R444, R451, R466, R467, R784, R808, UPDATED SHEET NUMBER.				

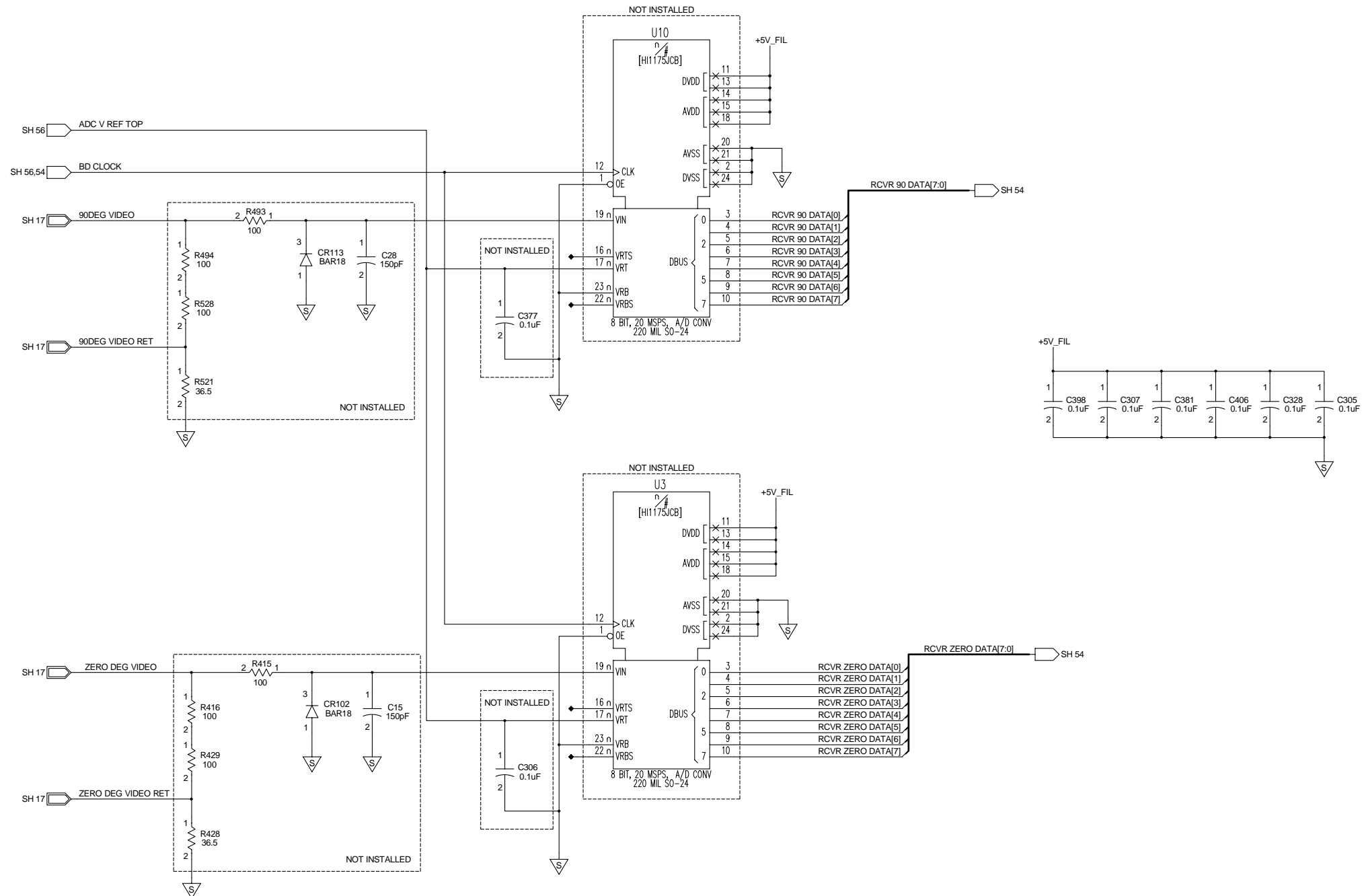


PULSE DECODE - VIDEO INPUT (1 OF 2)  
SHEET NO. 4 OF 5

COMPUTER GENERATED

ACSS	SEE FIRST SHEET FOR CONTRACT NUMBER. USE OR DISCLOSURE OF INFORMATION ON THIS SHEET IS SUBJECT TO THE RESTRICTIONS ON THE FIRST SHEET OF THIS DOCUMENT.	SIZE	D	CAGE CODE	1WYD3	DWG. NO.	9000020-001	REV	G
	SCALE: NONE		SHEET		56				

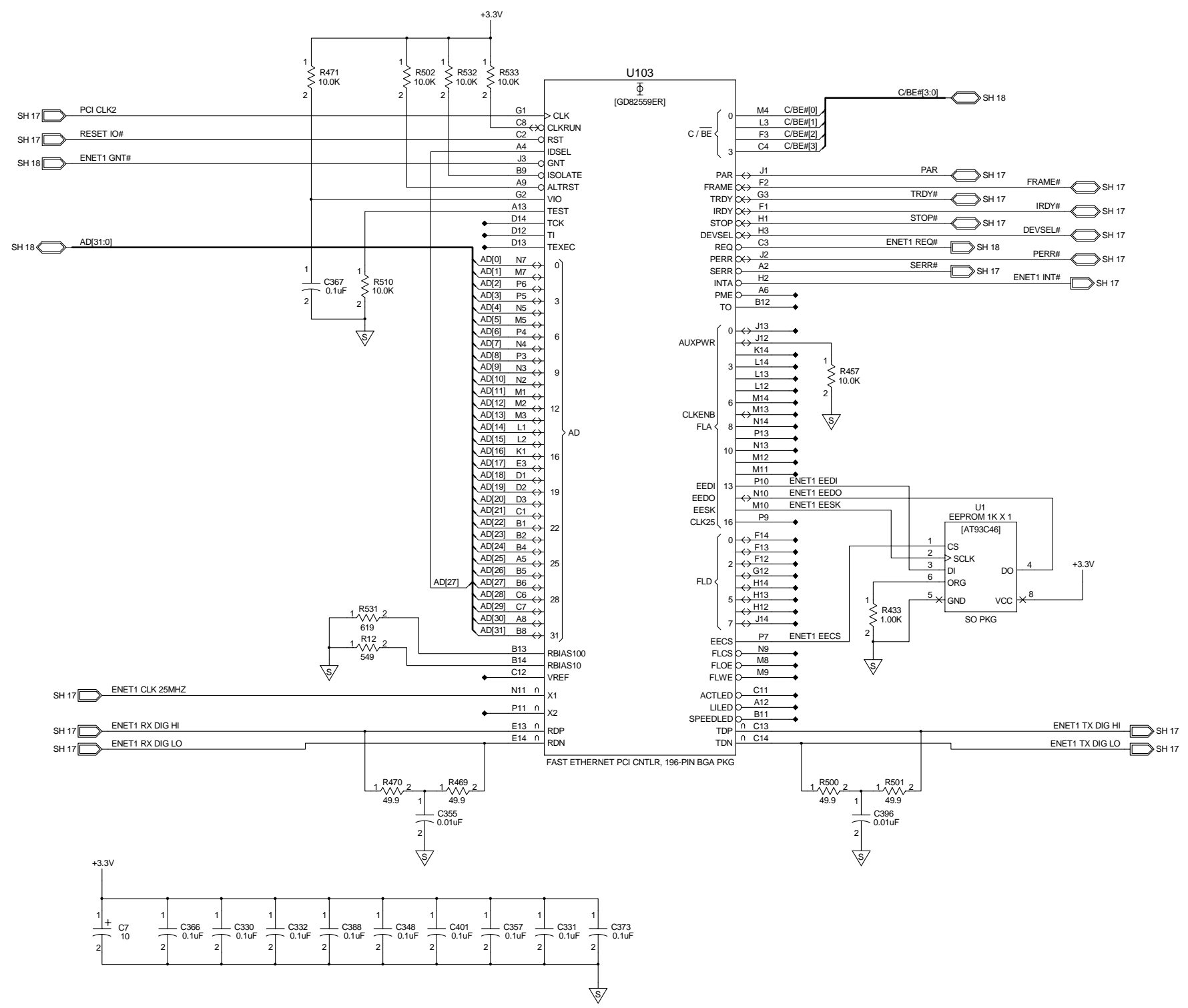
REVISIONS	
REV	DESCRIPTION
G	CHANGED TO NOT INSTALLED: U3, U10, CR102, CR113, C15, C28, R415, R416, R428, R429, R493, R494, R521, R528. UPDATED SHEET NUMBER.



PULSE DECODE - VIDEO INPUT (2 OF 2)  
SHEET NO. 5 OF 5

COMPUTER GENERATED

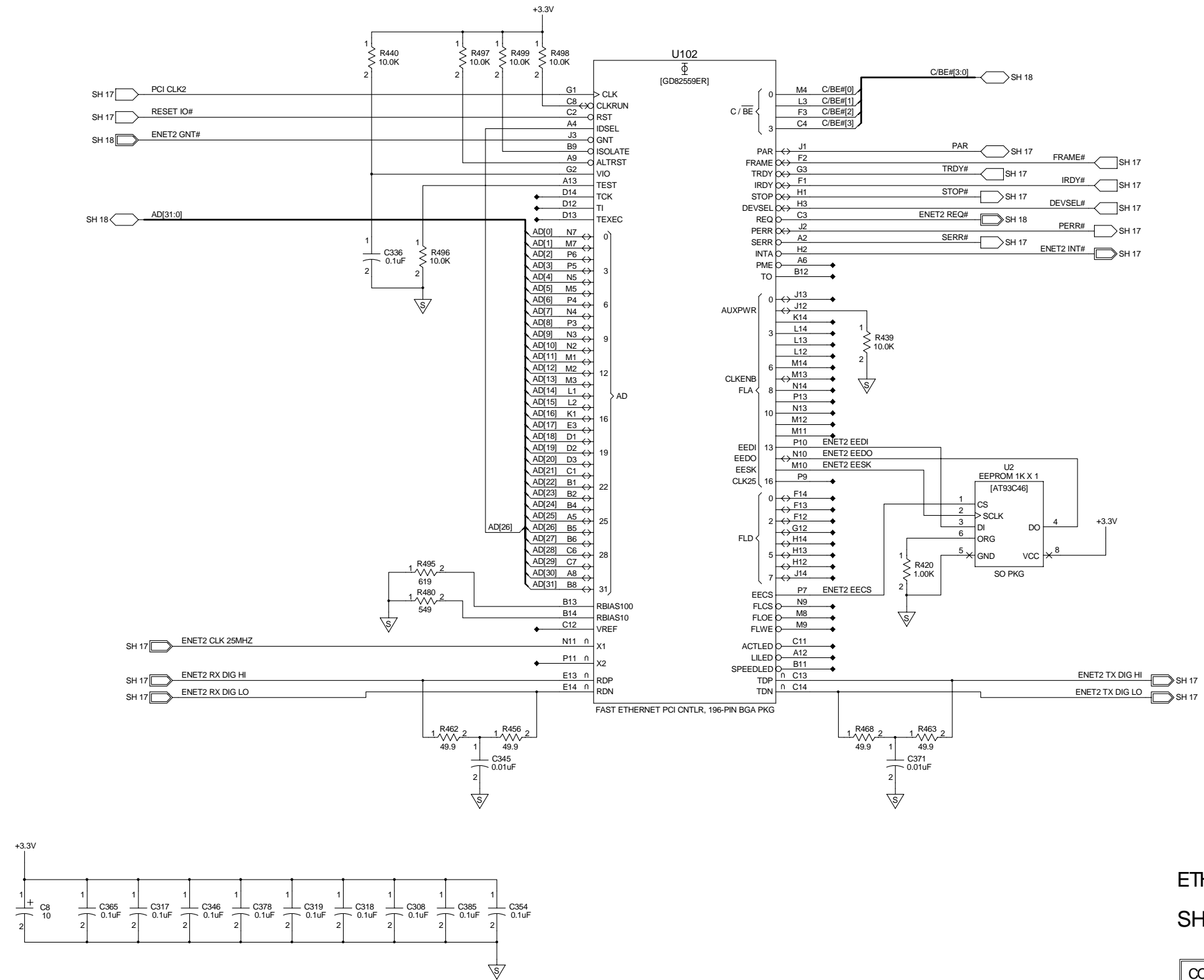
REVISIONS	
REV	DESCRIPTION
G	UPDATED SHEET NUMBERS



ETHERNET - CONTROLLER BUS NO. 1  
SHEET NO. 1 OF 4

COMPUTER GENERATED

REVISIONS	
REV	DESCRIPTION
G	UPDATED SHEET NUMBERS

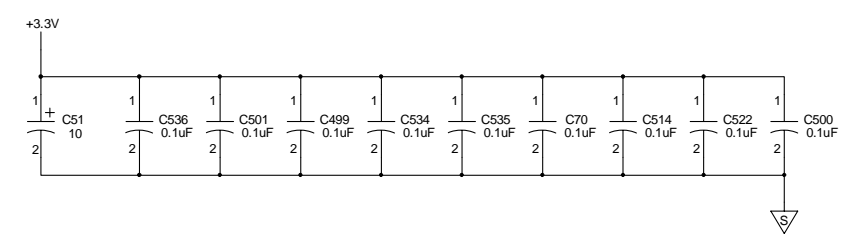
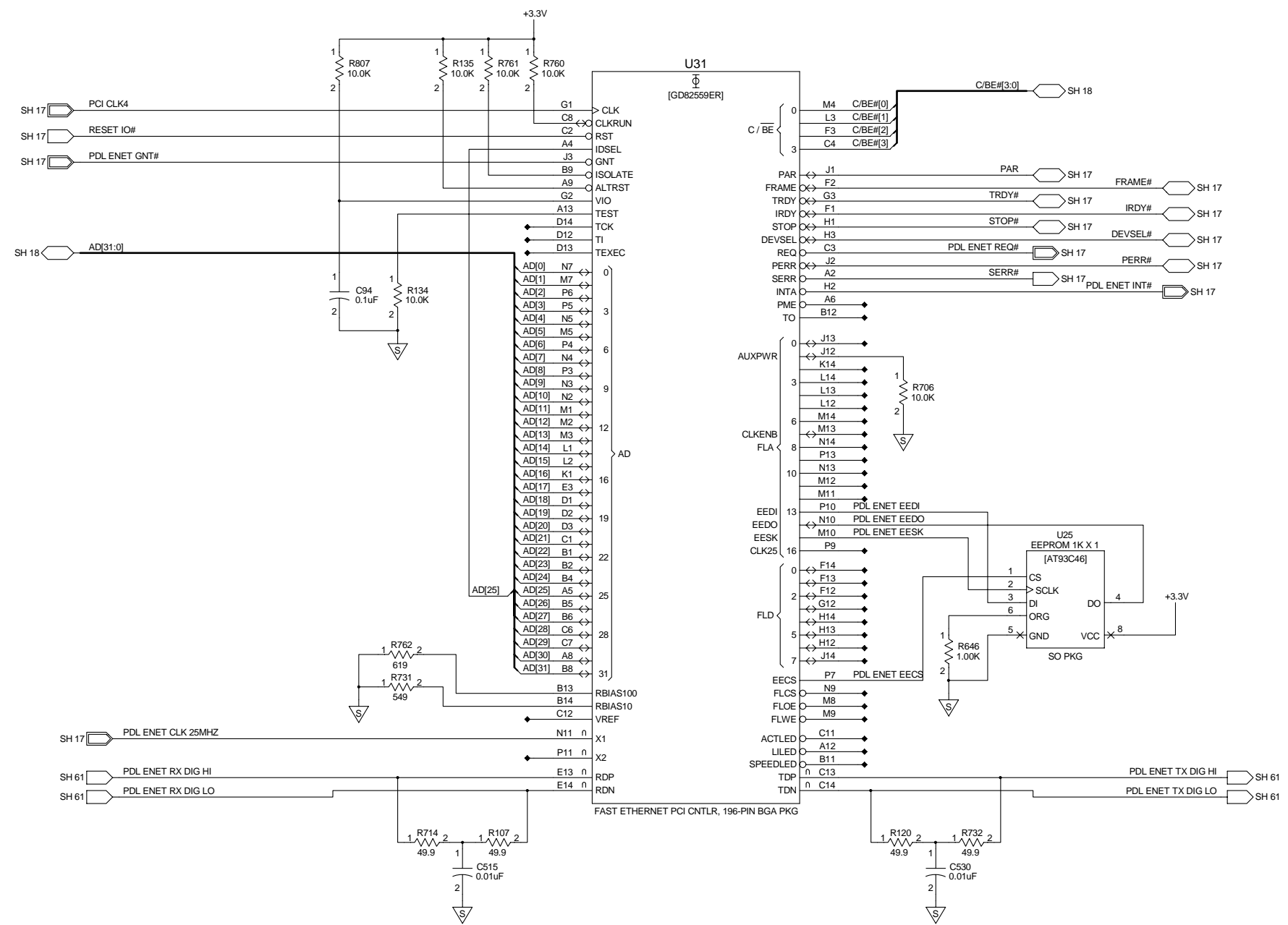


ETHERNET - CONTROLLER BUS NO. 2  
SHEET NO. 2 OF 4

COMPUTER GENERATED



REVISIONS	
REV	DESCRIPTION
G	UPDATED SHEET NUMBERS



ETHERNET - CONTROLLER PDL BUS  
SHEET NO. 3 OF 4

COMPUTER GENERATED

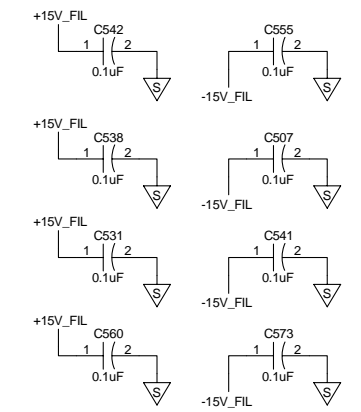
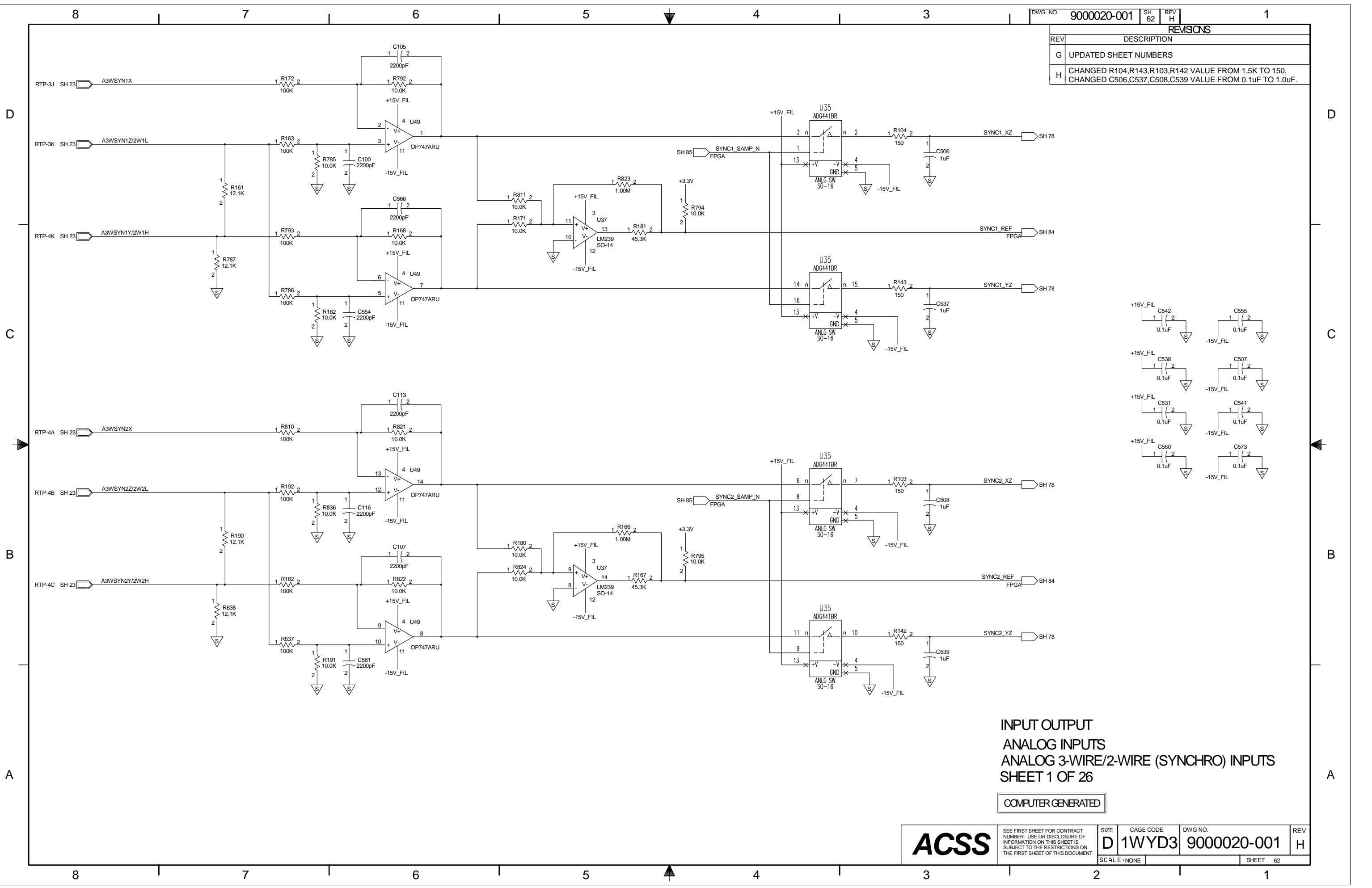
REVISIONS	
REV	DESCRIPTION
G	UPDATED SHEET NUMBERS
J	PARTLIST CHANGE ONLY. C444 PART NUMBER CHANGE TO 4077894-173.



ETHERNET - PDL BUS MAGNETICS  
SHEET NO. 4 OF 4

COMPUTER GENERATED

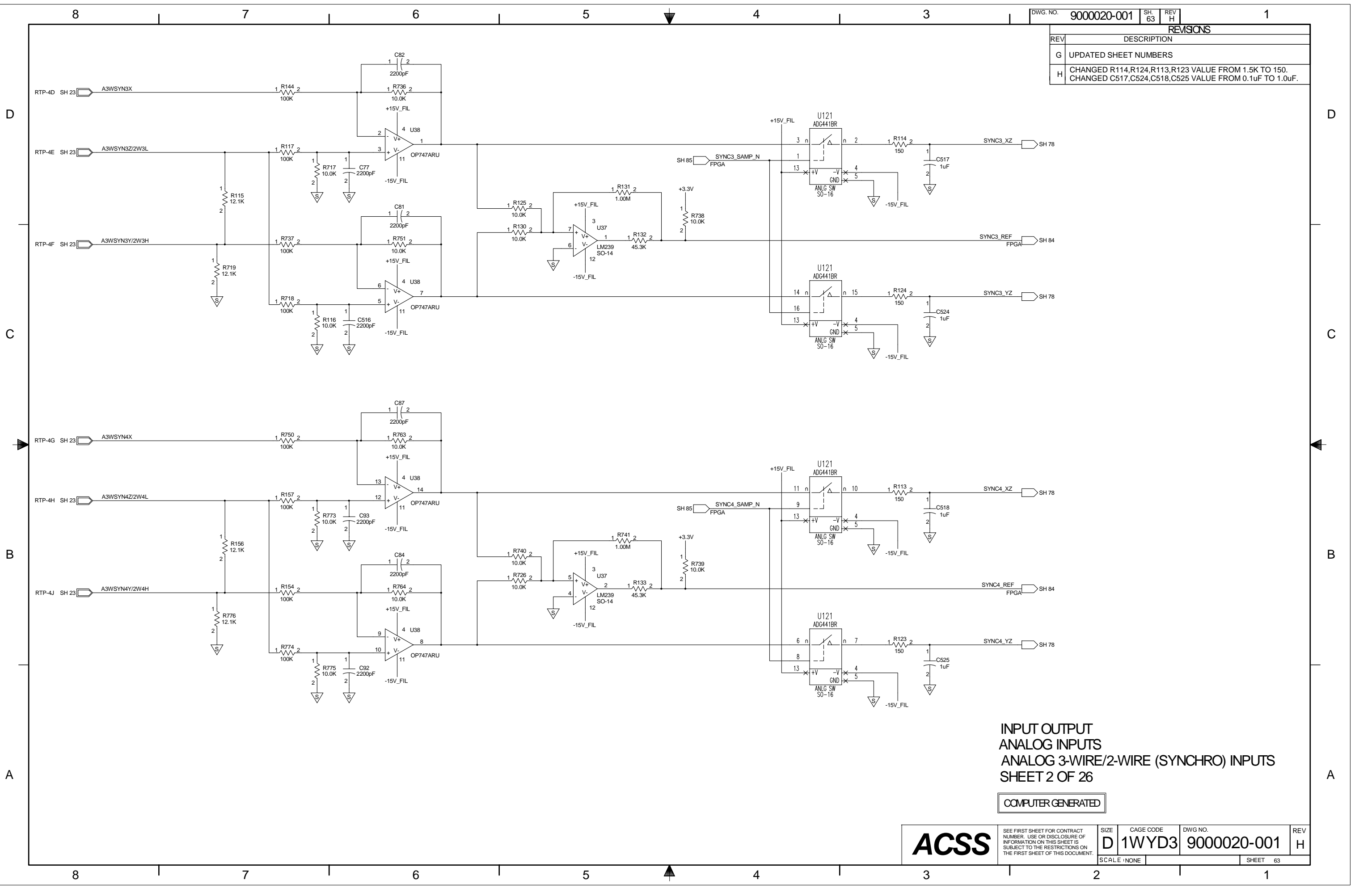
REVISIONS	
REV	DESCRIPTION
G	UPDATED SHEET NUMBERS
H	CHANGED R104,R143,R103,R142 VALUE FROM 1.5K TO 150. CHANGED C506,C537,C508,C539 VALUE FROM 0.1uF TO 1.0uF.



INPUT OUTPUT  
 ANALOG INPUTS  
 ANALOG 3-WIRE/2-WIRE (SYNCHRO) INPUTS  
 SHEET 1 OF 26

COMPUTER GENERATED

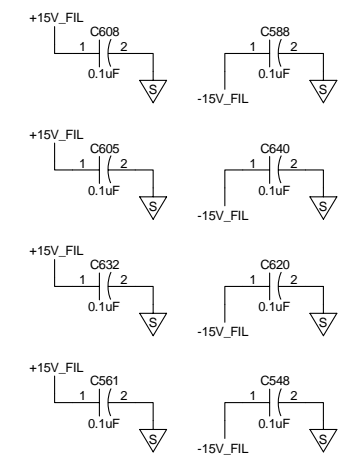
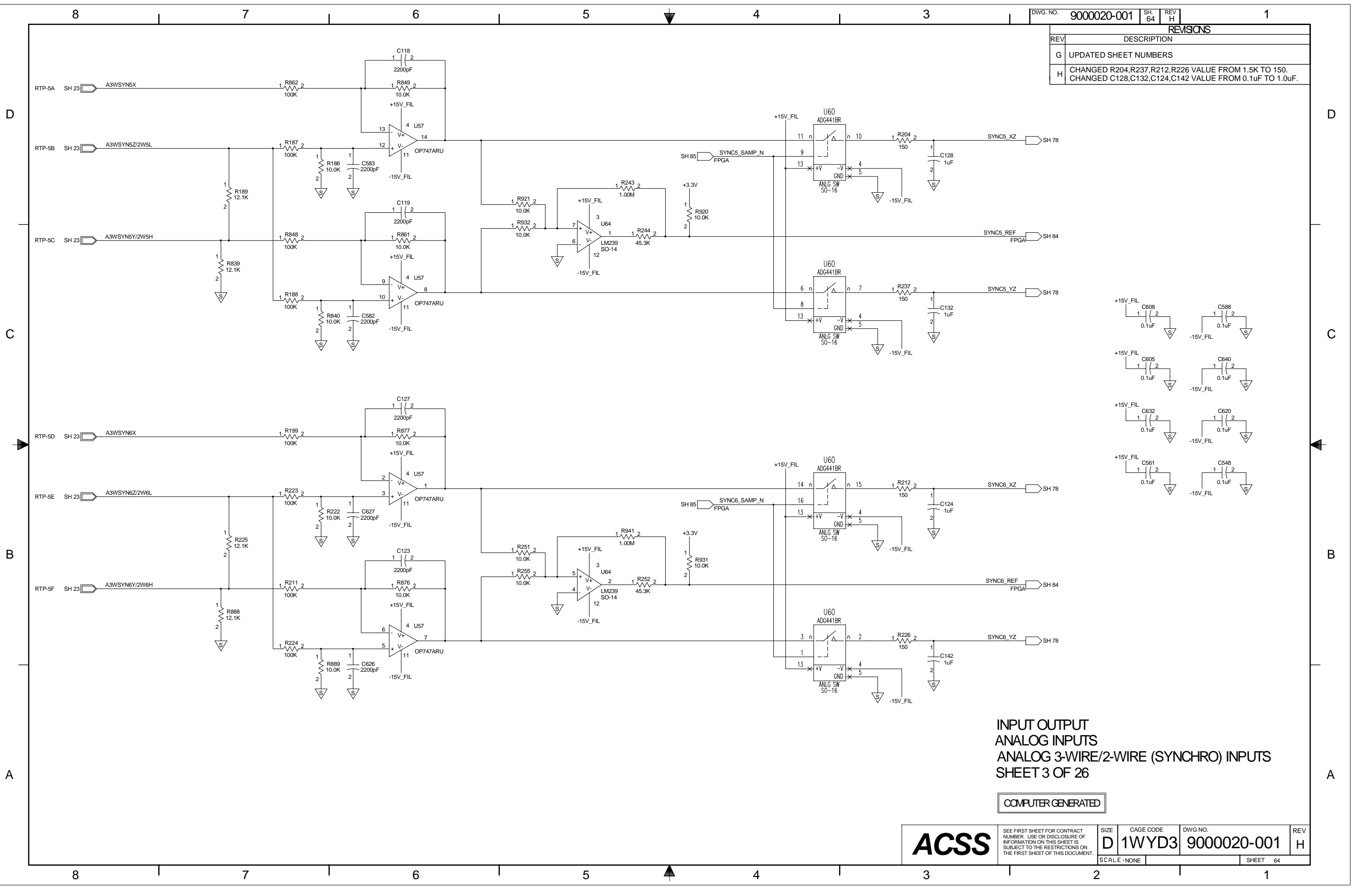
REVISIONS	
REV	DESCRIPTION
G	UPDATED SHEET NUMBERS
H	CHANGED R114,R124,R113,R123 VALUE FROM 1.5K TO 150. CHANGED C517,C524,C518,C525 VALUE FROM 0.1uF TO 1.0uF.



INPUT OUTPUT  
ANALOG INPUTS  
ANALOG 3-WIRE/2-WIRE (SYNCHRO) INPUTS  
SHEET 2 OF 26

COMPUTER GENERATED

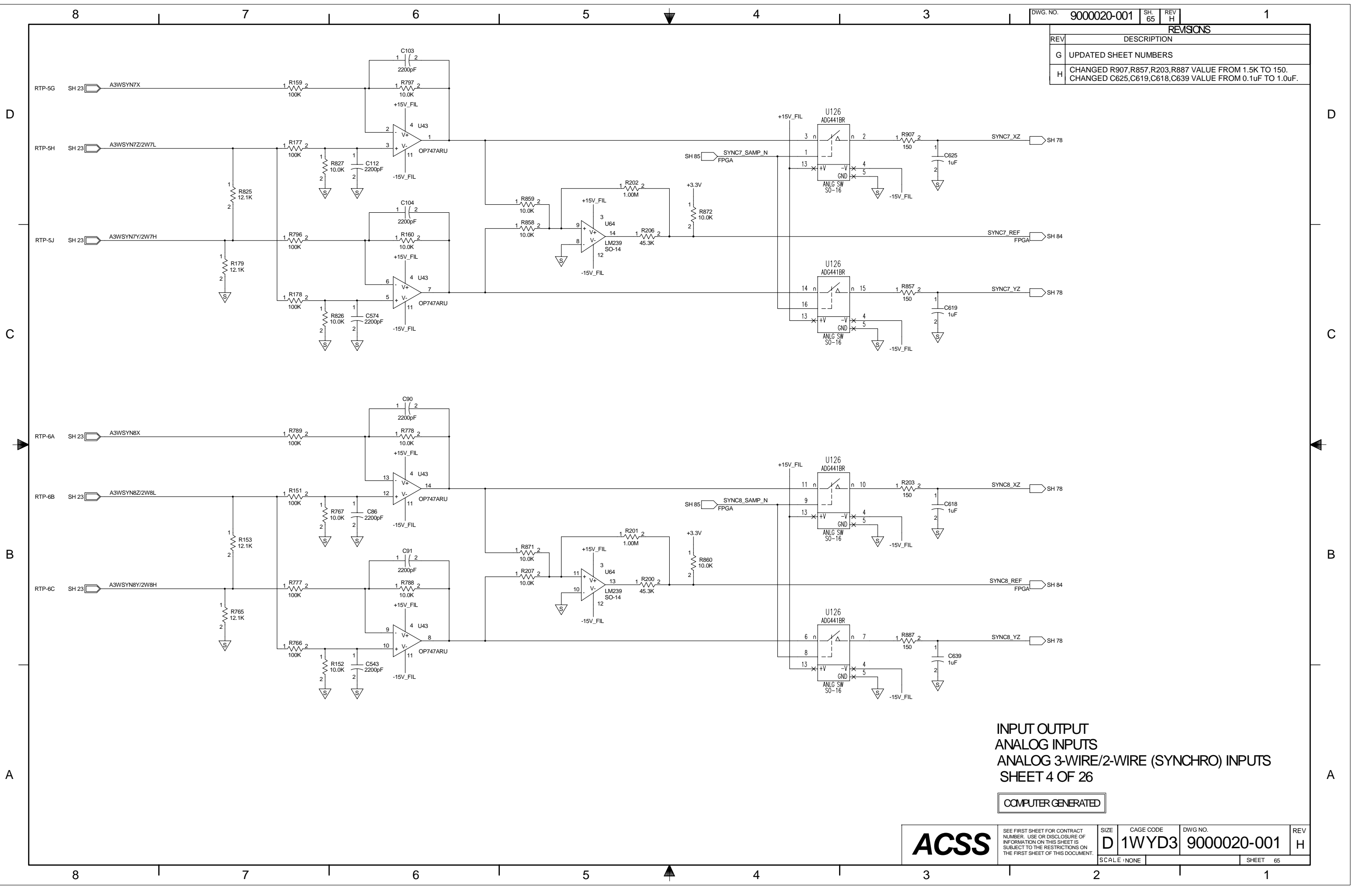
REVISIONS	
REV	DESCRIPTION
G	UPDATED SHEET NUMBERS
H	CHANGED R204,R237,R212,R226 VALUE FROM 1.5K TO 150. CHANGED C128,C132,C124,C142 VALUE FROM 0.1uF TO 1.0uF.



INPUT OUTPUT  
ANALOG INPUTS  
ANALOG 3-WIRE/2-WIRE (SYNCHRO) INPUTS  
SHEET 3 OF 26

COMPUTER GENERATED

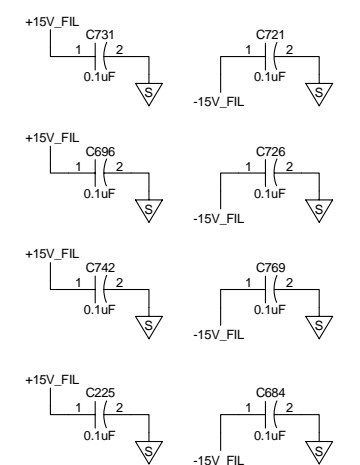
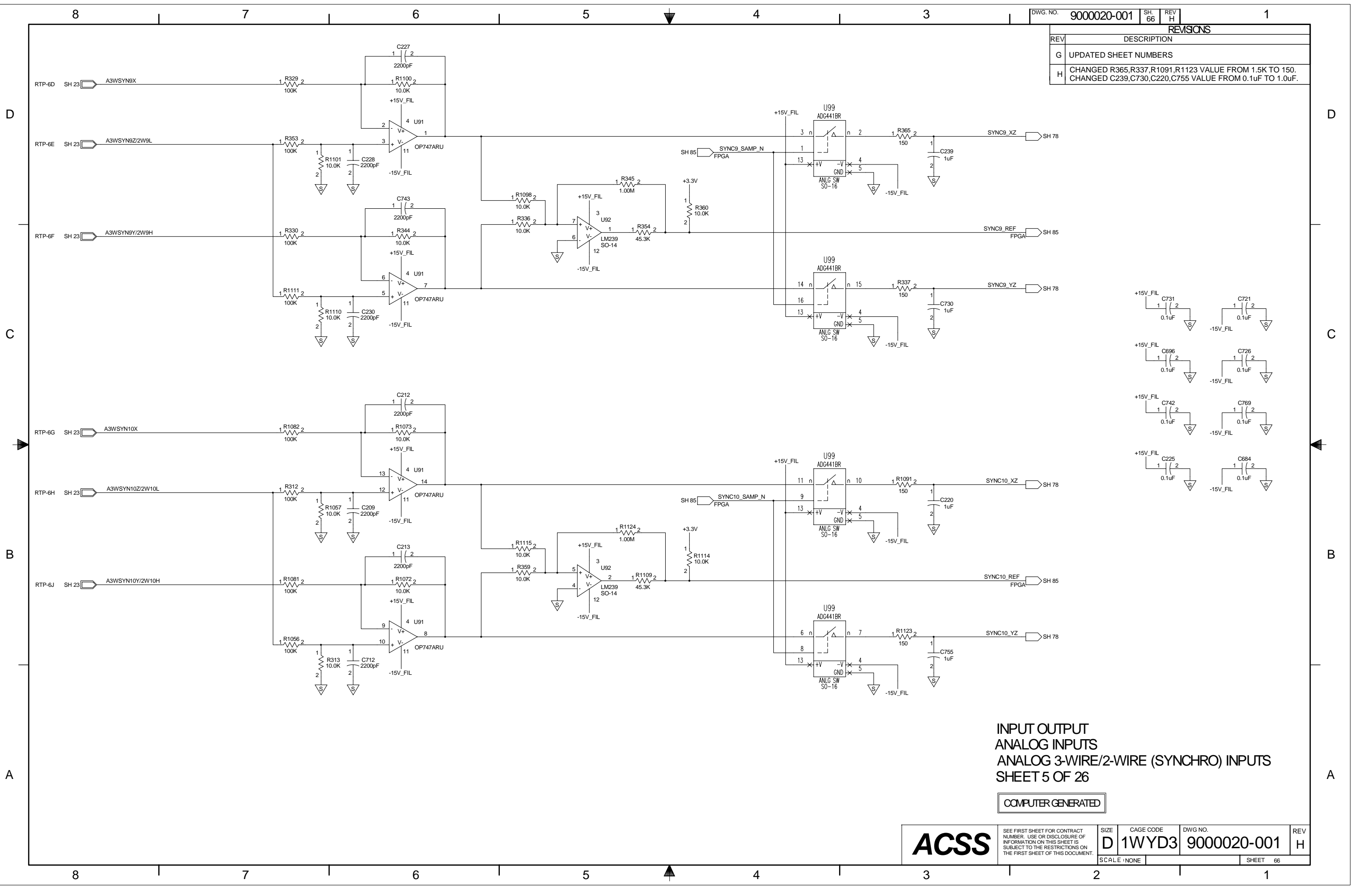
REVISIONS	
REV	DESCRIPTION
G	UPDATED SHEET NUMBERS
H	CHANGED R907,R857,R203,R887 VALUE FROM 1.5K TO 150. CHANGED C625,C619,C618,C639 VALUE FROM 0.1uF TO 1.0uF.



INPUT OUTPUT  
ANALOG INPUTS  
ANALOG 3-WIRE/2-WIRE (SYNCHRO) INPUTS  
SHEET 4 OF 26

COMPUTER GENERATED

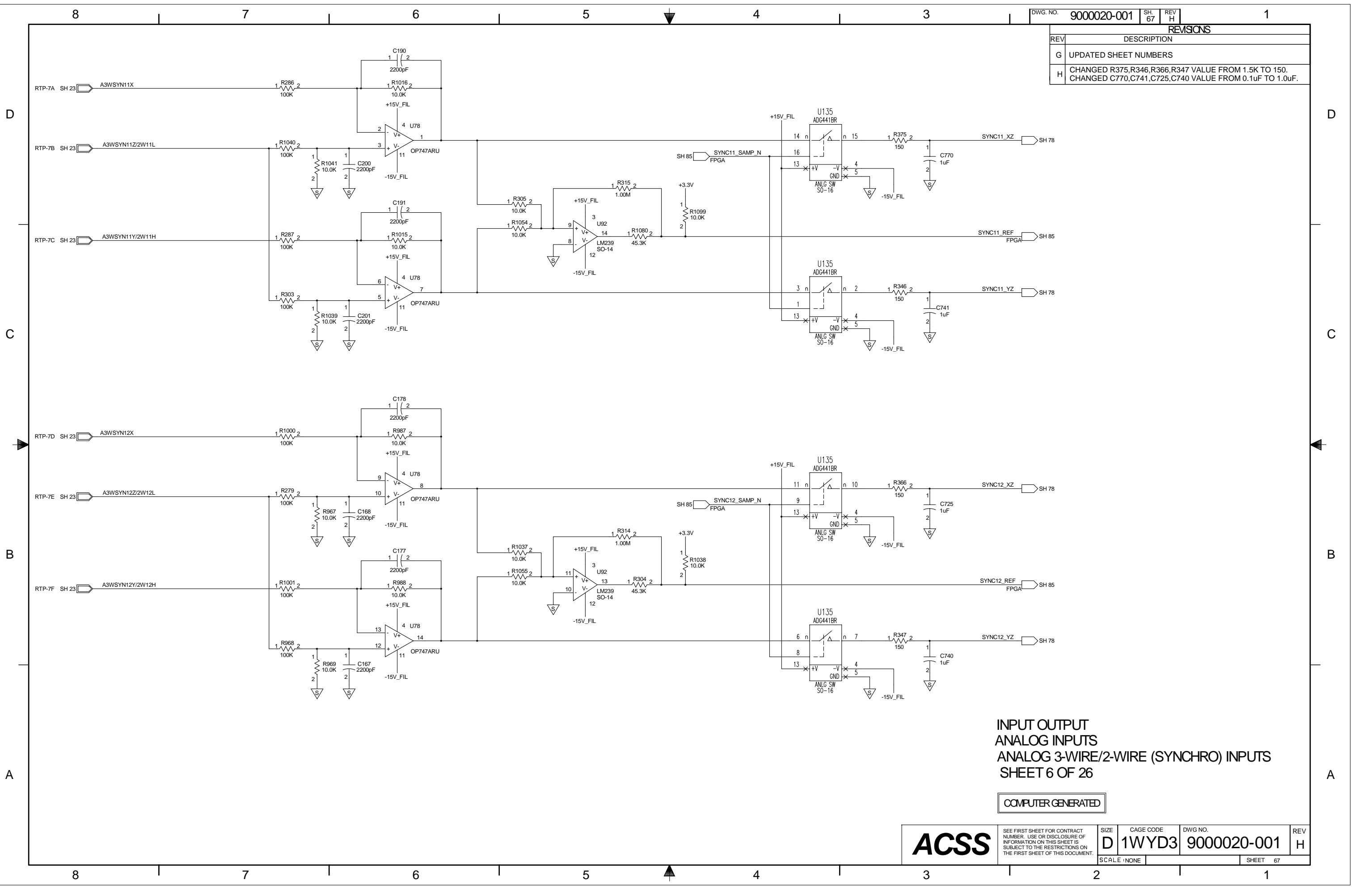
REVISIONS	
REV	DESCRIPTION
G	UPDATED SHEET NUMBERS
H	CHANGED R365,R337,R1091,R1123 VALUE FROM 1.5K TO 150. CHANGED C239,C730,C220,C755 VALUE FROM 0.1uF TO 1.0uF.



INPUT OUTPUT  
ANALOG INPUTS  
ANALOG 3-WIRE/2-WIRE (SYNCHRO) INPUTS  
SHEET 5 OF 26

COMPUTER GENERATED

REVISIONS	
REV	DESCRIPTION
G	UPDATED SHEET NUMBERS
H	CHANGED R375,R346,R366,R347 VALUE FROM 1.5K TO 150. CHANGED C770,C741,C725,C740 VALUE FROM 0.1uF TO 1.0uF.

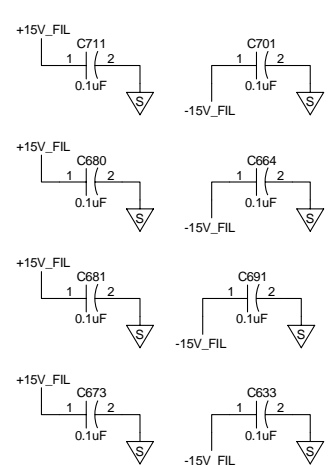
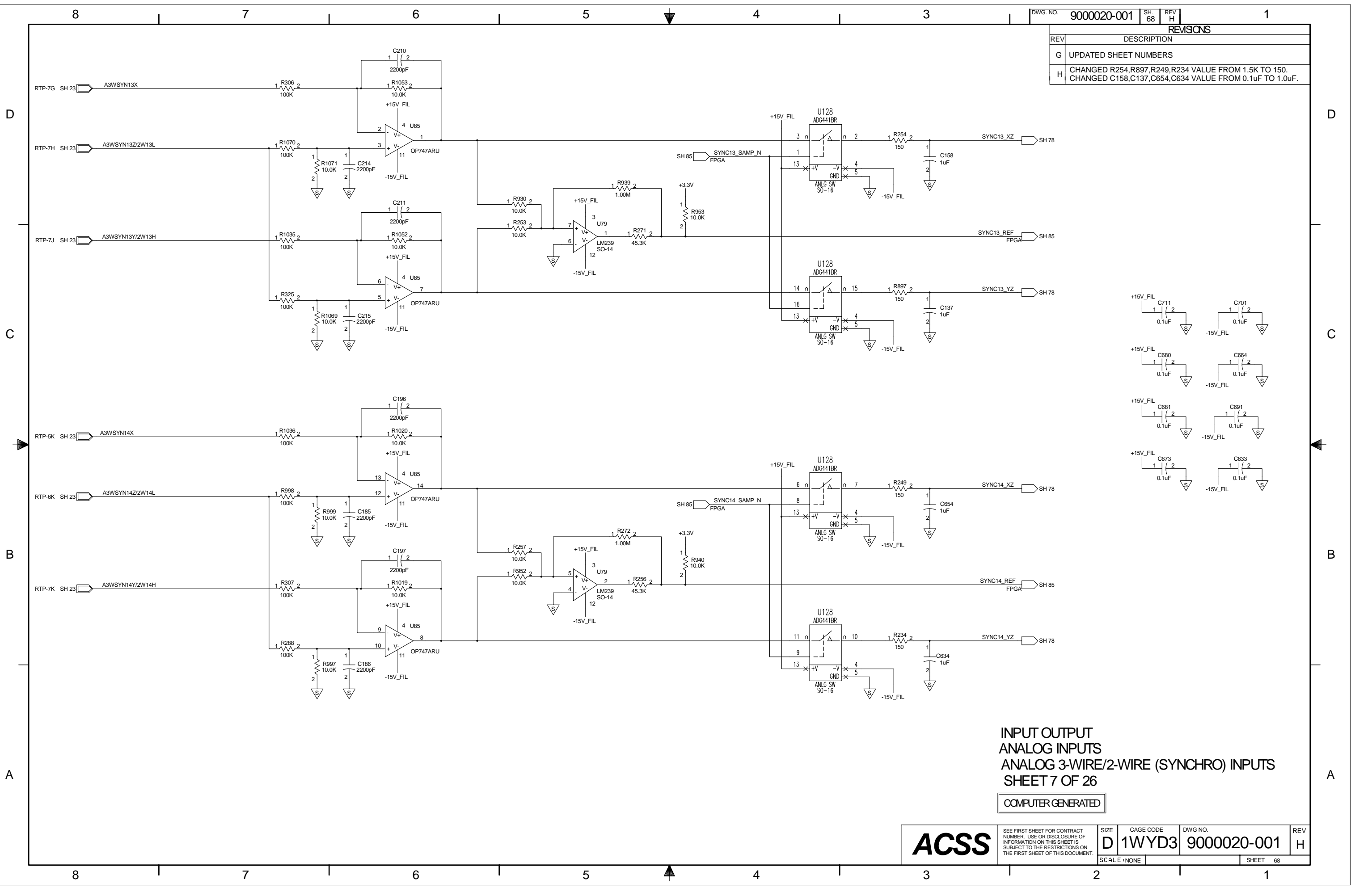


INPUT OUTPUT  
ANALOG INPUTS  
ANALOG 3-WIRE/2-WIRE (SYNCHRO) INPUTS  
SHEET 6 OF 26

COMPUTER GENERATED



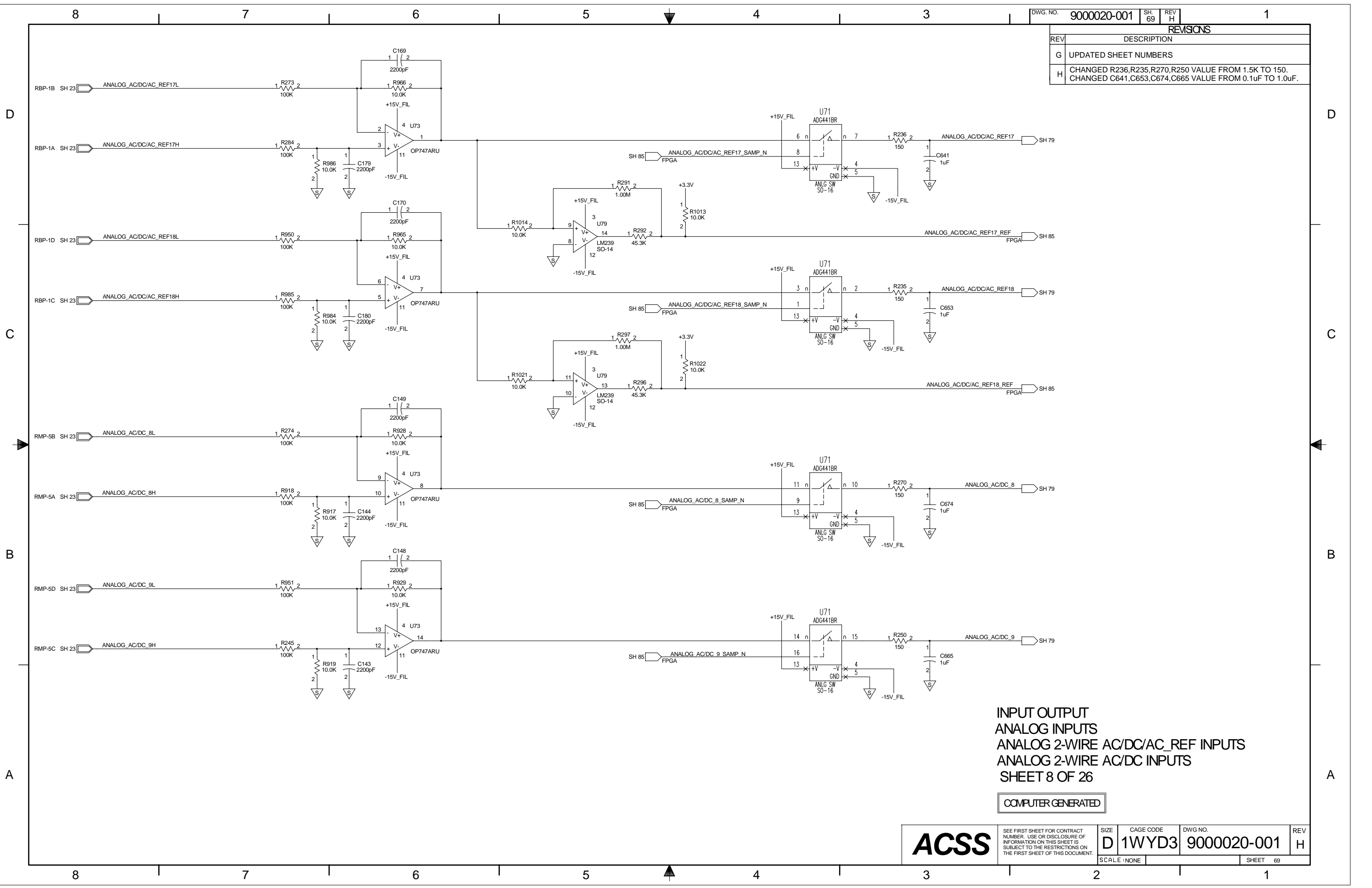
REVISIONS	
REV	DESCRIPTION
G	UPDATED SHEET NUMBERS
H	CHANGED R254,R897,R249,R234 VALUE FROM 1.5K TO 150. CHANGED C158,C137,C654,C634 VALUE FROM 0.1uF TO 1.0uF.



INPUT OUTPUT  
ANALOG INPUTS  
ANALOG 3-WIRE/2-WIRE (SYNCHRO) INPUTS  
SHEET 7 OF 26

COMPUTER GENERATED

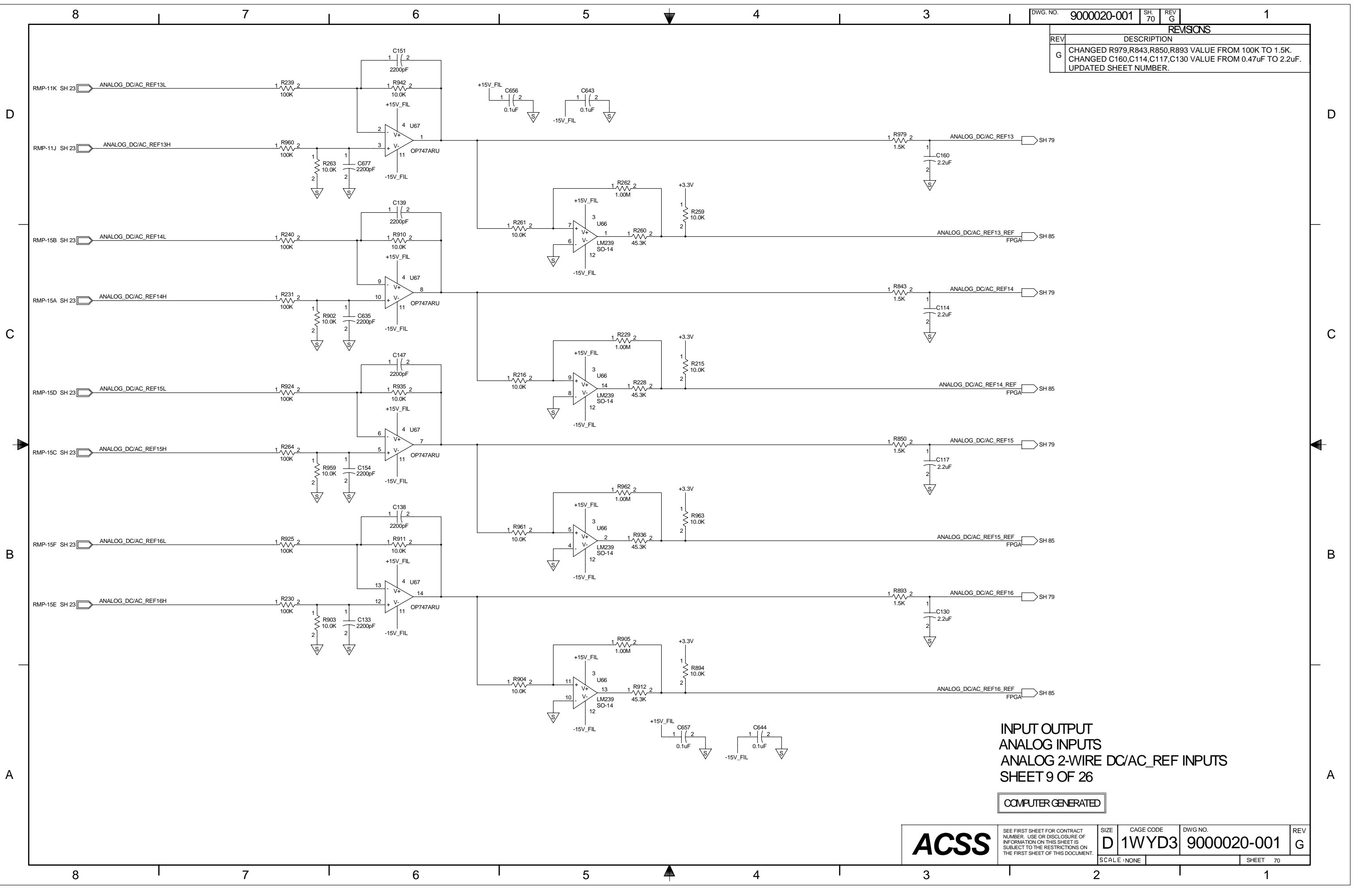
REVISIONS	
REV	DESCRIPTION
G	UPDATED SHEET NUMBERS
H	CHANGED R236,R235,R270,R250 VALUE FROM 1.5K TO 150. CHANGED C641,C653,C674,C665 VALUE FROM 0.1uF TO 1.0uF.



INPUT OUTPUT  
 ANALOG INPUTS  
 ANALOG 2-WIRE AC/DC/AC\_REF INPUTS  
 ANALOG 2-WIRE AC/DC INPUTS  
 SHEET 8 OF 26

COMPUTER GENERATED

REVISIONS	
REV	DESCRIPTION
G	CHANGED R979,R843,R850,R893 VALUE FROM 100K TO 1.5K. CHANGED C160,C114,C117,C130 VALUE FROM 0.47uF TO 2.2uF. UPDATED SHEET NUMBER.

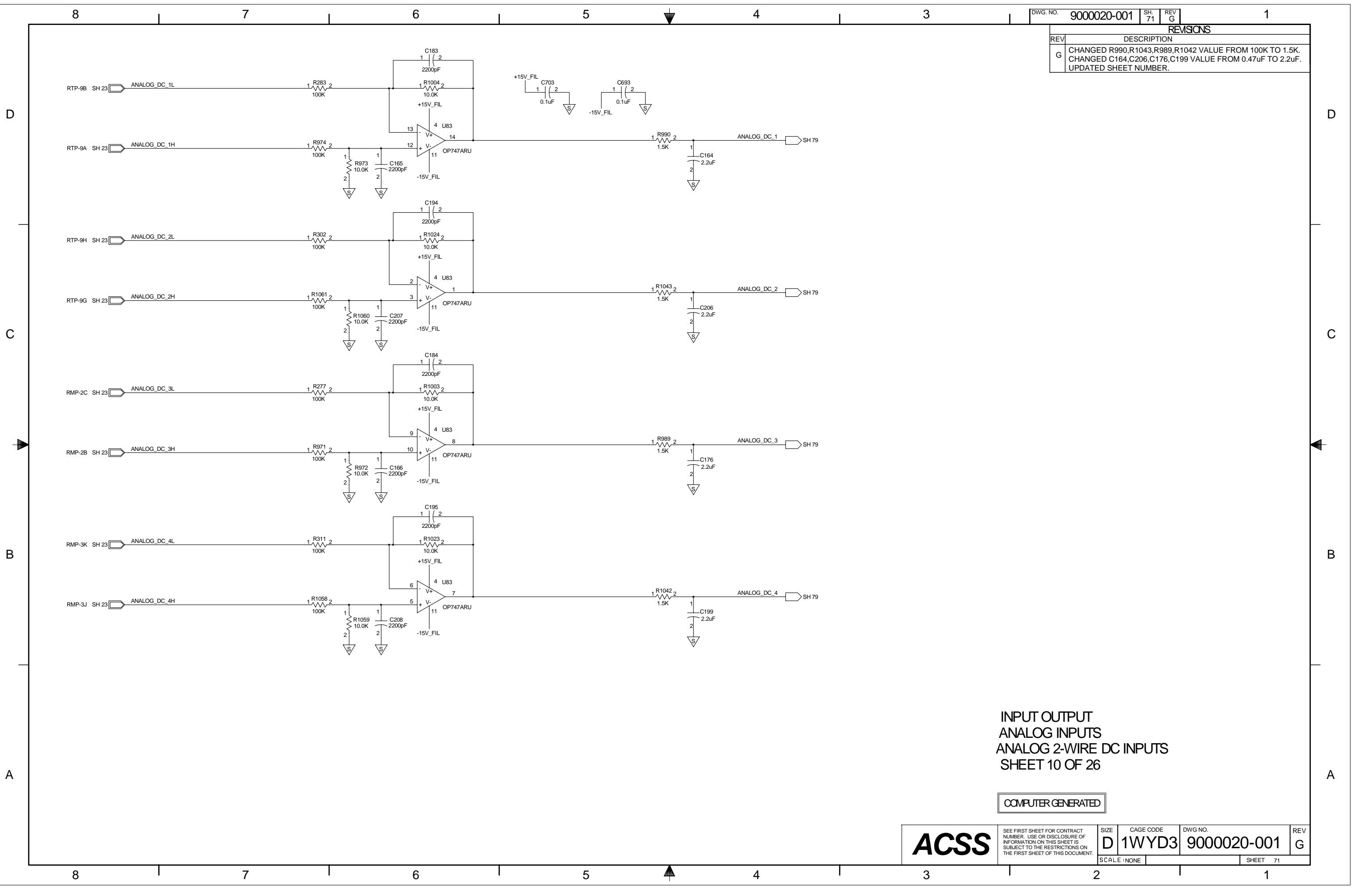


INPUT OUTPUT  
ANALOG INPUTS  
ANALOG 2-WIRE DC/AC\_REF INPUTS  
SHEET 9 OF 26

COMPUTER GENERATED

<b>ACSS</b>	SEE FIRST SHEET FOR CONTRACT NUMBER. USE OR DISCLOSURE OF INFORMATION ON THIS SHEET IS SUBJECT TO THE RESTRICTIONS ON THE FIRST SHEET OF THIS DOCUMENT.	SIZE <b>D</b>	CAGE CODE <b>1WYD3</b>	DWG. NO. <b>9000020-001</b>	REV <b>G</b>
	SCALE: NONE	SHEET 70			

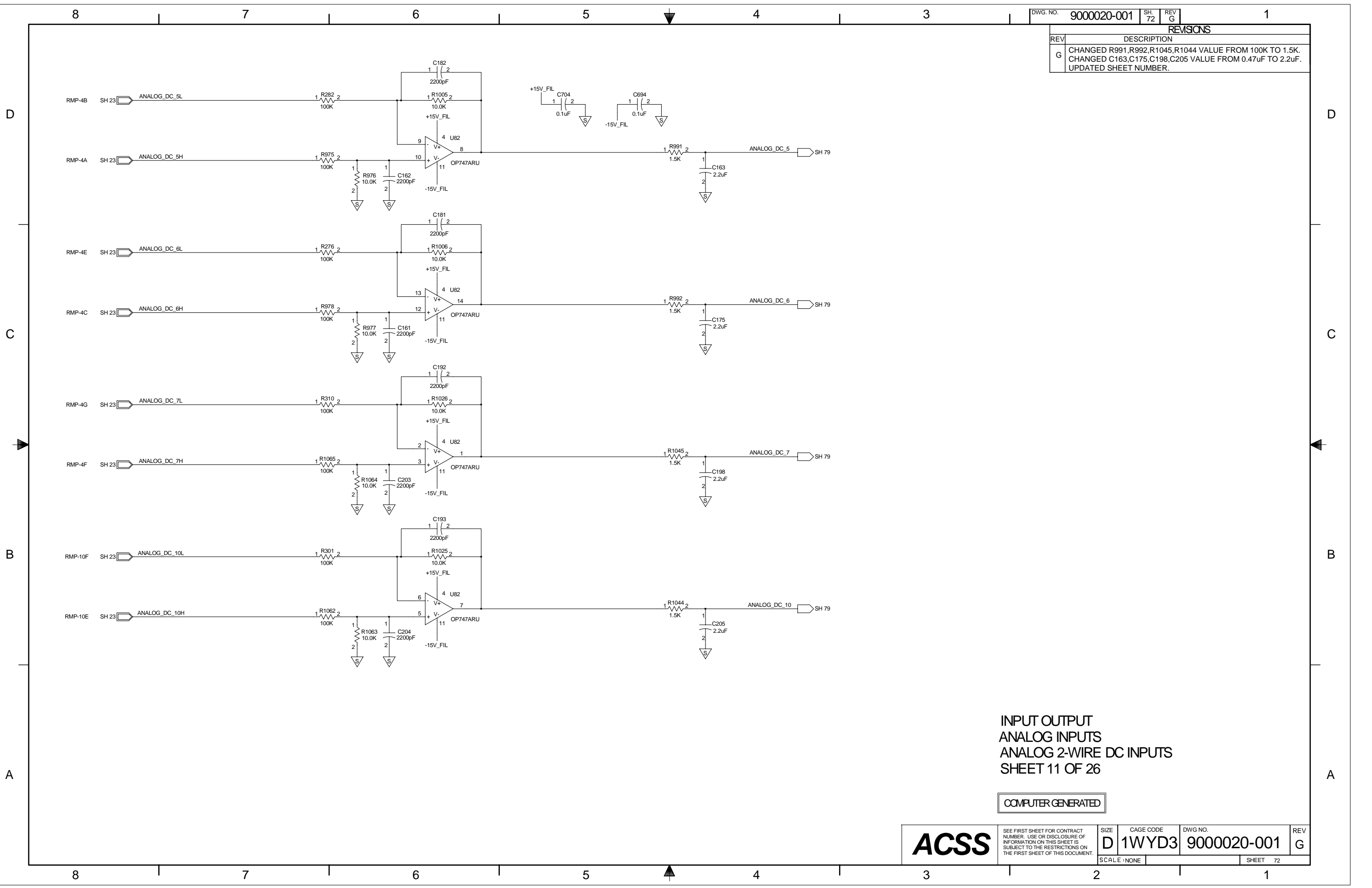
REVISIONS	
REV	DESCRIPTION
G	CHANGED R990,R1043,R989,R1042 VALUE FROM 100K TO 1.5K. CHANGED C164,C206,C176,C199 VALUE FROM 0.47uF TO 2.2uF. UPDATED SHEET NUMBER.



INPUT OUTPUT  
ANALOG INPUTS  
ANALOG 2-WIRE DC INPUTS  
SHEET 10 OF 26

COMPUTER GENERATED

REVISIONS	
REV	DESCRIPTION
G	CHANGED R991,R992,R1045,R1044 VALUE FROM 100K TO 1.5K. CHANGED C163,C175,C198,C205 VALUE FROM 0.47uF TO 2.2uF. UPDATED SHEET NUMBER.

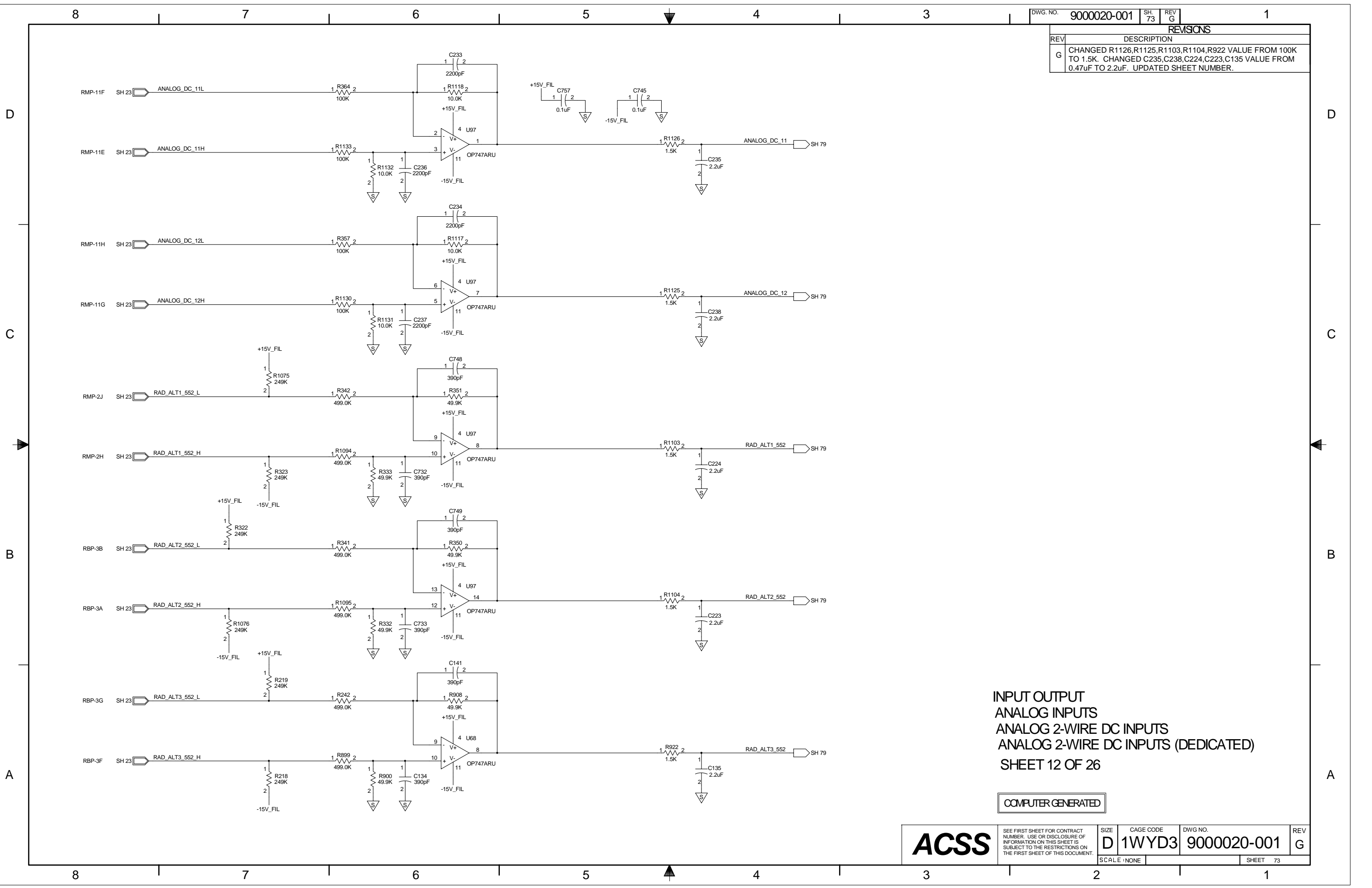


INPUT OUTPUT  
ANALOG INPUTS  
ANALOG 2-WIRE DC INPUTS  
SHEET 11 OF 26

COMPUTER GENERATED

<b>ACSS</b>	SEE FIRST SHEET FOR CONTRACT NUMBER. USE OR DISCLOSURE OF INFORMATION ON THIS SHEET IS SUBJECT TO THE RESTRICTIONS ON THE FIRST SHEET OF THIS DOCUMENT.	SIZE <b>D</b>	CAGE CODE <b>1WYD3</b>	DWG. NO. <b>9000020-001</b>	REV <b>G</b>
	SCALE: NONE	SHEET 72			

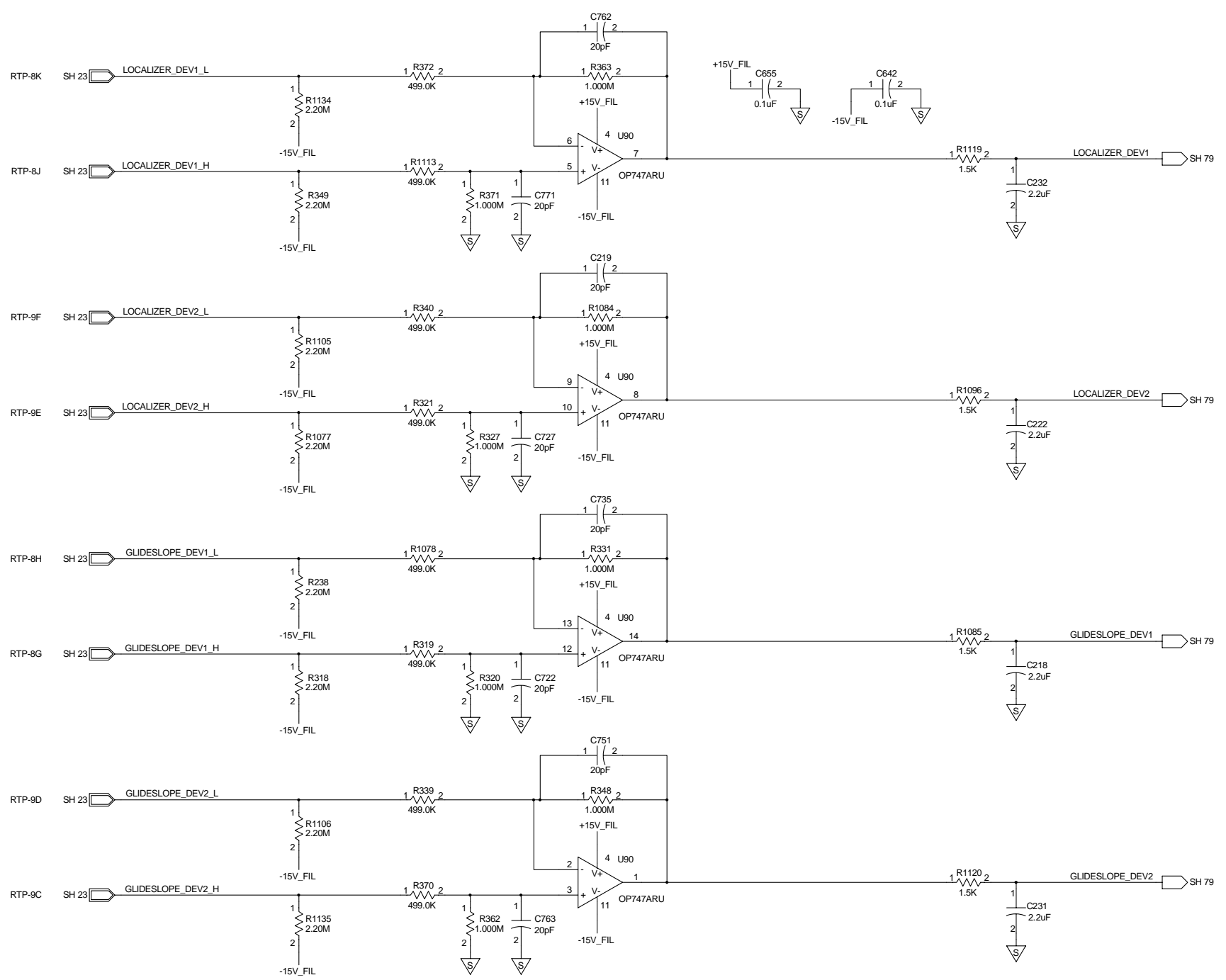
REVISIONS	
REV	DESCRIPTION
G	CHANGED R1126,R1125,R1103,R1104,R922 VALUE FROM 100K TO 1.5K. CHANGED C235,C238,C224,C223,C135 VALUE FROM 0.47uF TO 2.2uF. UPDATED SHEET NUMBER.



INPUT OUTPUT  
 ANALOG INPUTS  
 ANALOG 2-WIRE DC INPUTS  
 ANALOG 2-WIRE DC INPUTS (DEDICATED)  
 SHEET 12 OF 26

COMPUTER GENERATED

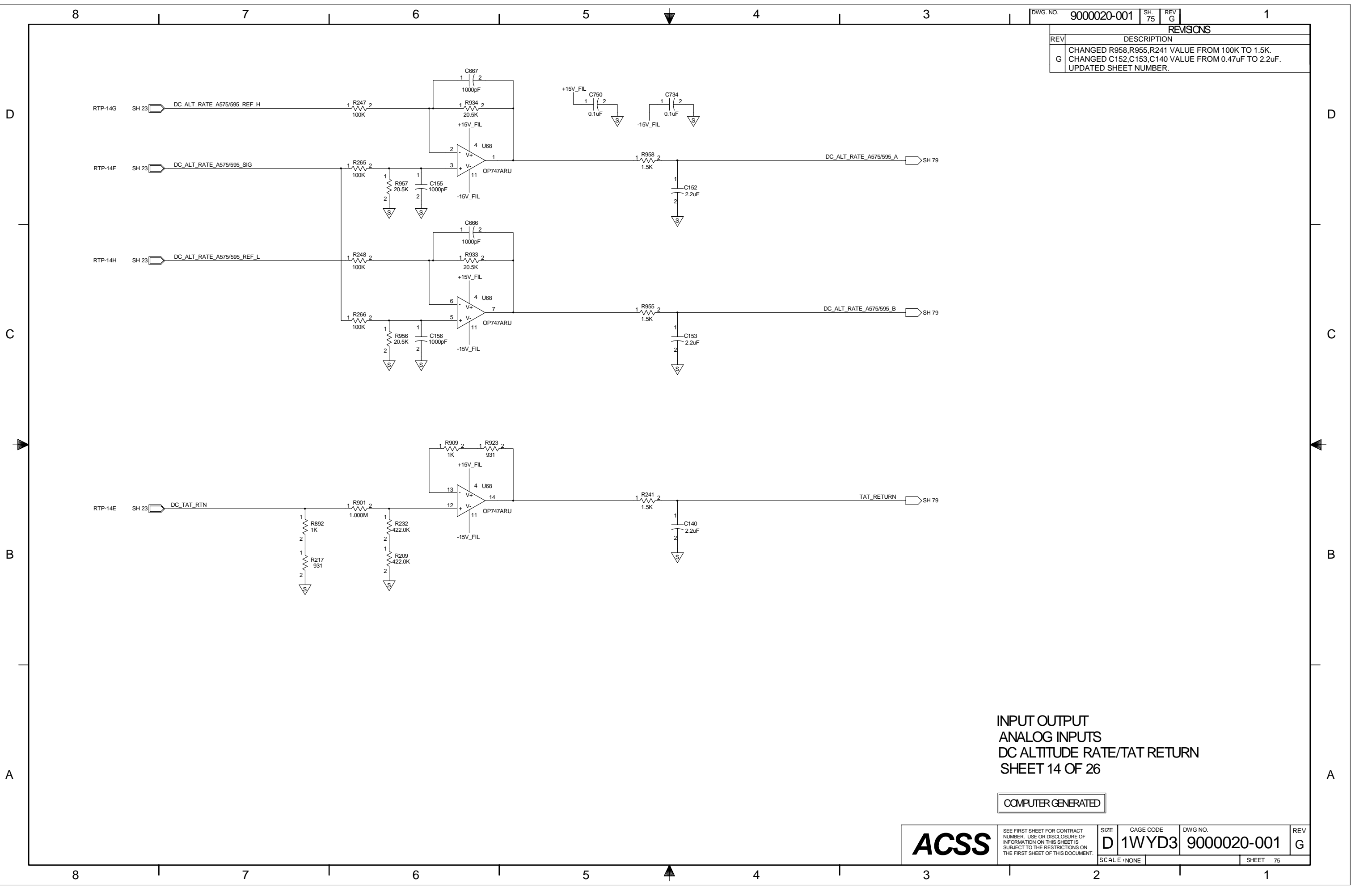
REVISIONS	
REV	DESCRIPTION
G	CHANGED R1119,R1096,R1085,R1120 VALUE FROM 100K TO 1.5K. CHANGED C232,C222,C218,C231 VALUE FROM 0.47uF TO 2.2uF. UPDATED SHEET NUMBER.



INPUT OUTPUT  
ANALOG INPUTS  
ANALOG 2-WIRE DC INPUTS (DEDICATED)  
SHEET 13 OF 26

COMPUTER GENERATED

REVISIONS	
REV	DESCRIPTION
G	CHANGED R958,R955,R241 VALUE FROM 100K TO 1.5K. CHANGED C152,C153,C140 VALUE FROM 0.47uF TO 2.2uF. UPDATED SHEET NUMBER.

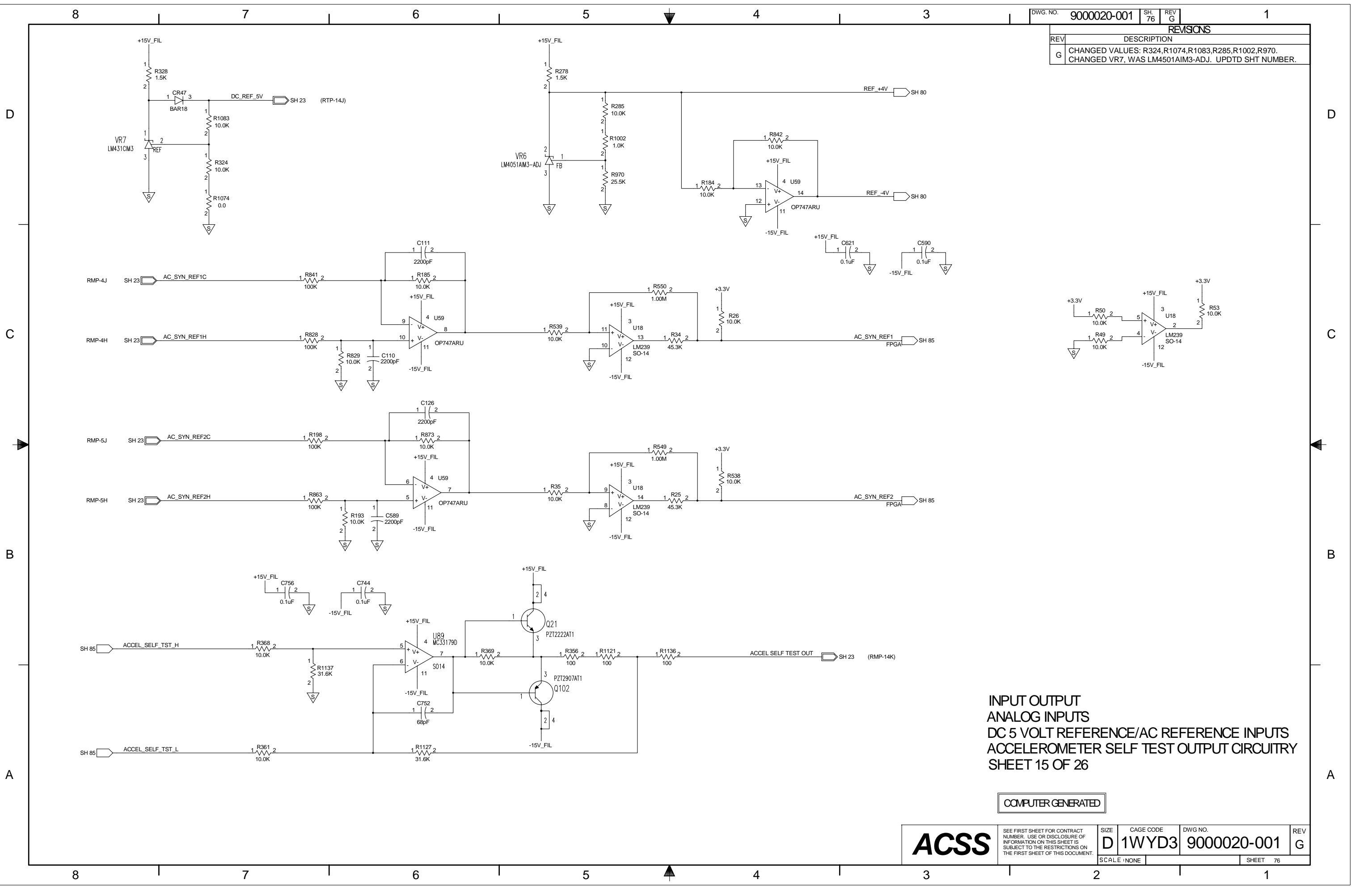


INPUT OUTPUT  
ANALOG INPUTS  
DC ALTITUDE RATE/TAT RETURN  
SHEET 14 OF 26

COMPUTER GENERATED



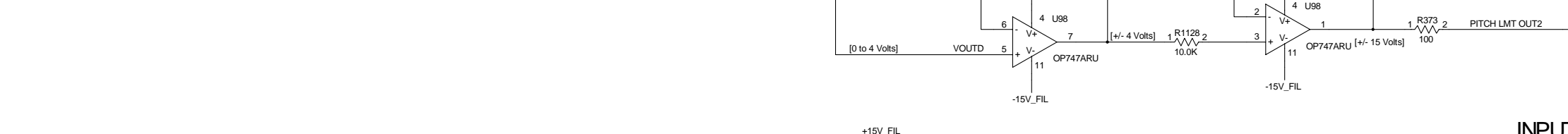
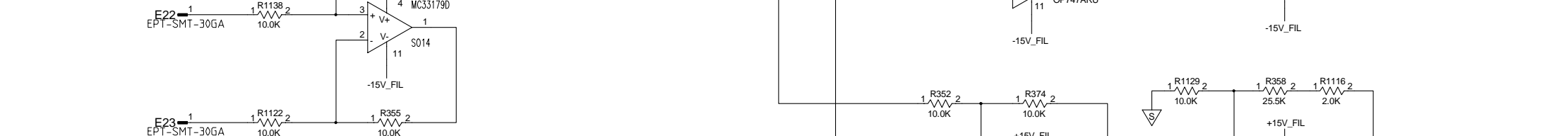
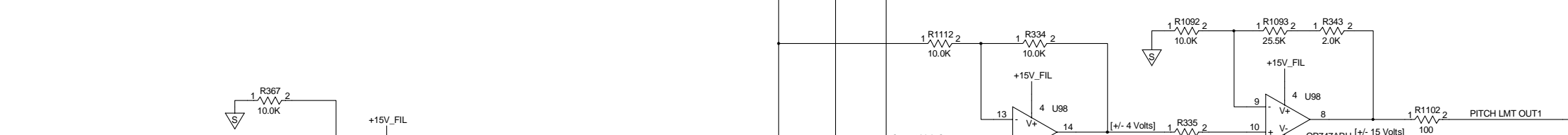
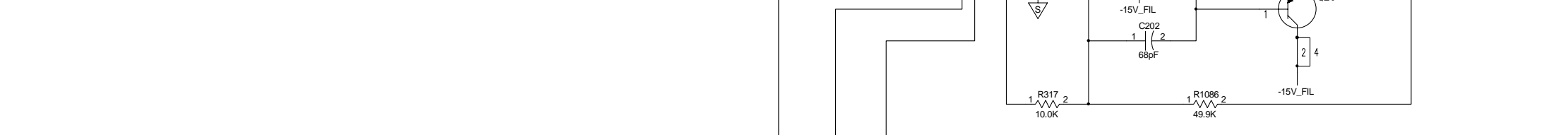
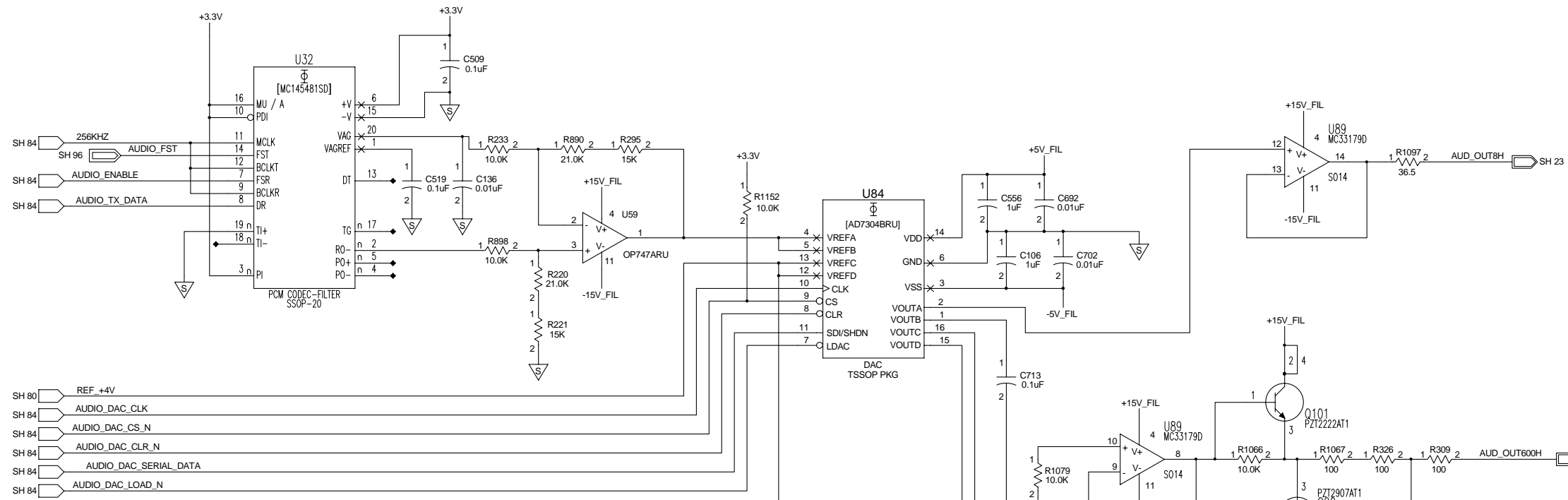
REVISIONS	
REV	DESCRIPTION
G	CHANGED VALUES: R324,R1074,R1083,R285,R1002,R970. CHANGED VR7, WAS LM4501AIM3-ADJ. UPDTD SHT NUMBER.



INPUT OUTPUT  
 ANALOG INPUTS  
 DC 5 VOLT REFERENCE/AC REFERENCE INPUTS  
 ACCELEROMETER SELF TEST OUTPUT CIRCUITRY  
 SHEET 15 OF 26

COMPUTER GENERATED

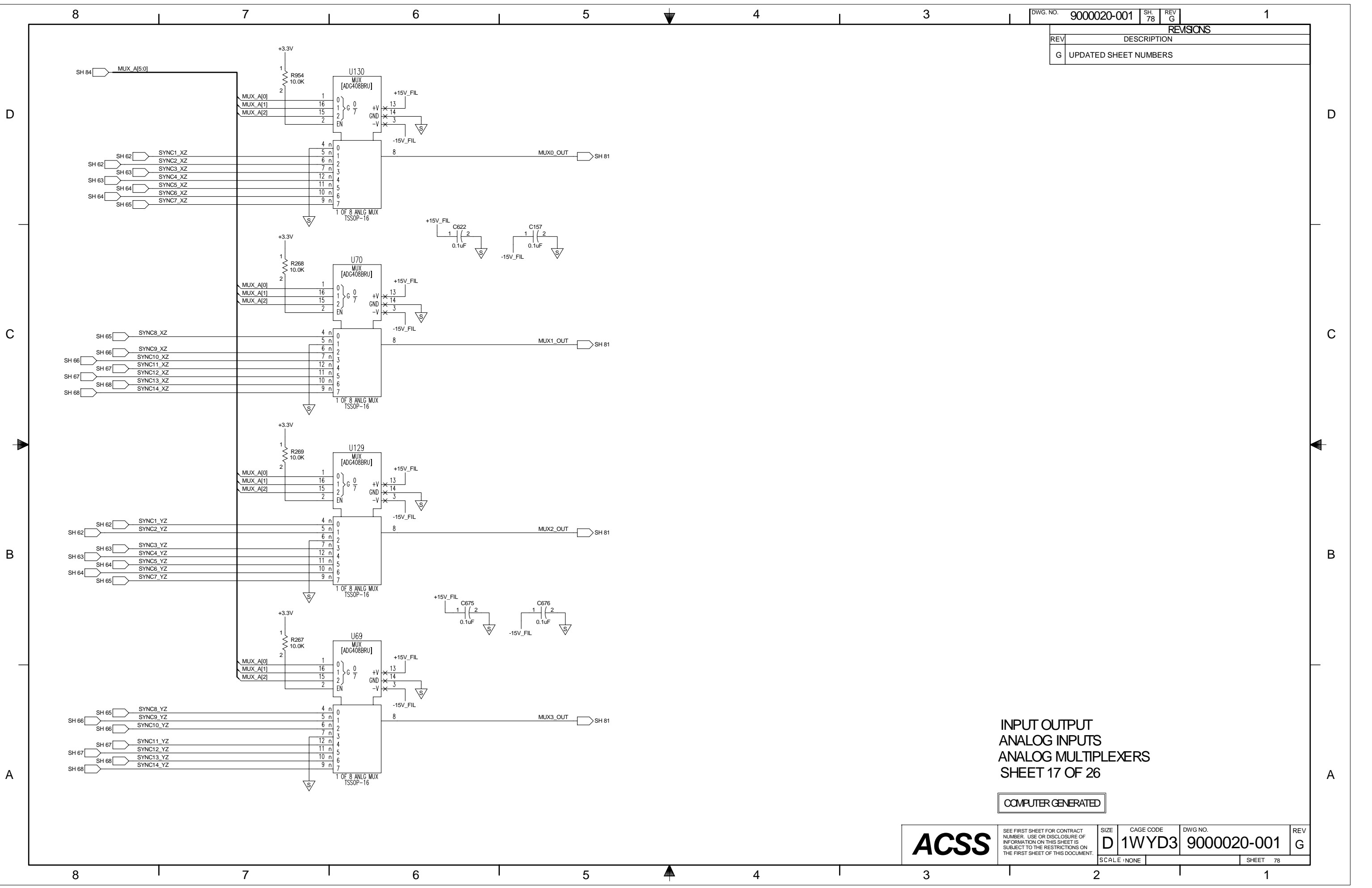
REVISIONS	
REV	DESCRIPTION
G	ADD CONNECTIONS: U32-11 TO U32-12 AND U32-7 TO U32-14. ADD R1152. UPDATED SHEET NUMBER.
H	ADDED AUDIO_FST GRAPHICS TO REPRESENT BUSWIRE INSTALLED ON CCA



INPUT OUTPUT  
DIGITAL AUDIO CIRCUITRY  
PITCH LIMIT OUTPUT CIRCUITRY  
SHEET 16 OF 26

COMPUTER GENERATED

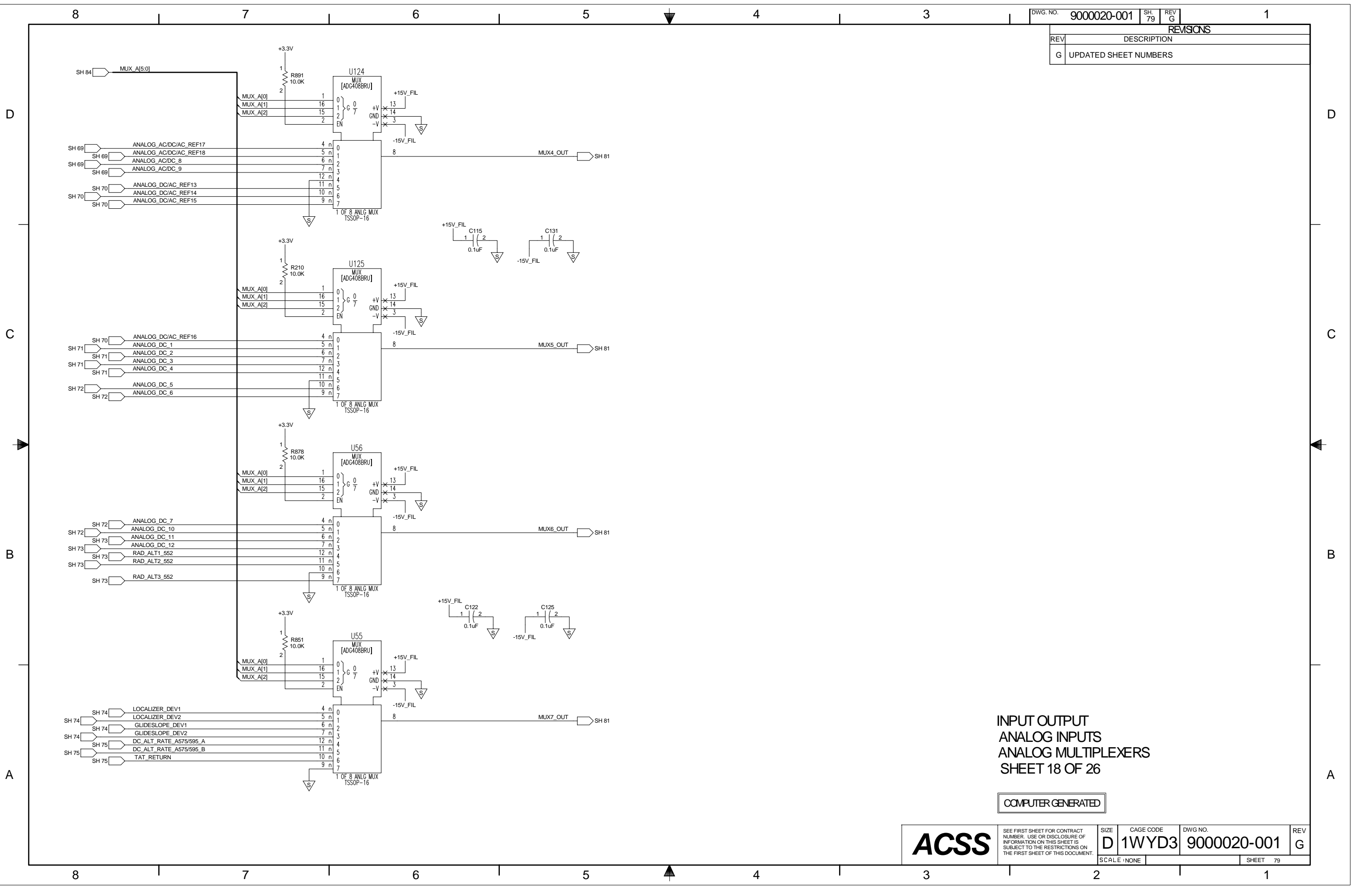
REVISIONS	
REV	DESCRIPTION
G	UPDATED SHEET NUMBERS



INPUT OUTPUT  
ANALOG INPUTS  
ANALOG MULTIPLEXERS  
SHEET 17 OF 26

COMPUTER GENERATED

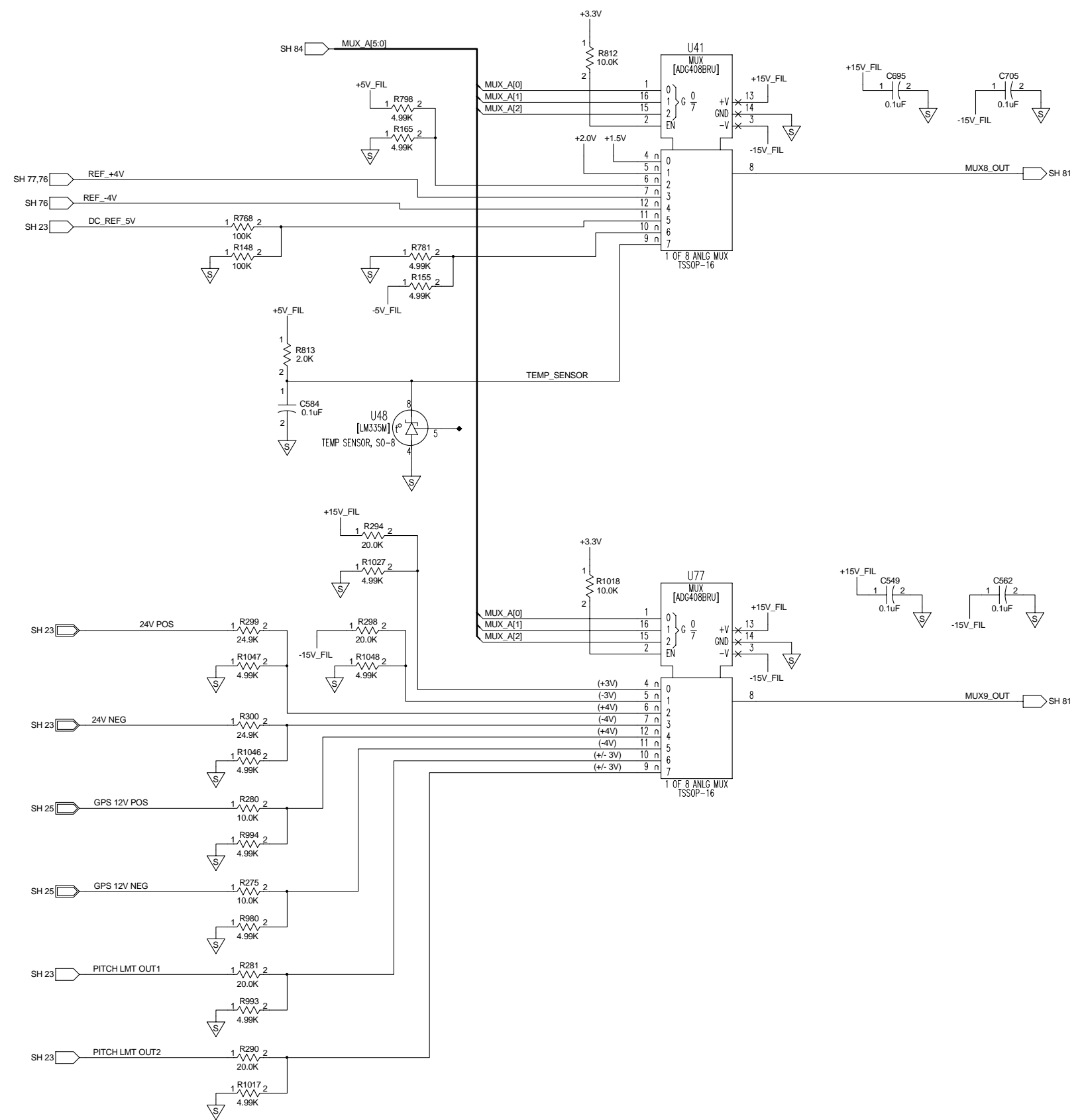
REVISIONS	
REV	DESCRIPTION
G	UPDATED SHEET NUMBERS



INPUT OUTPUT  
ANALOG INPUTS  
ANALOG MULTIPLEXERS  
SHEET 18 OF 26

COMPUTER GENERATED

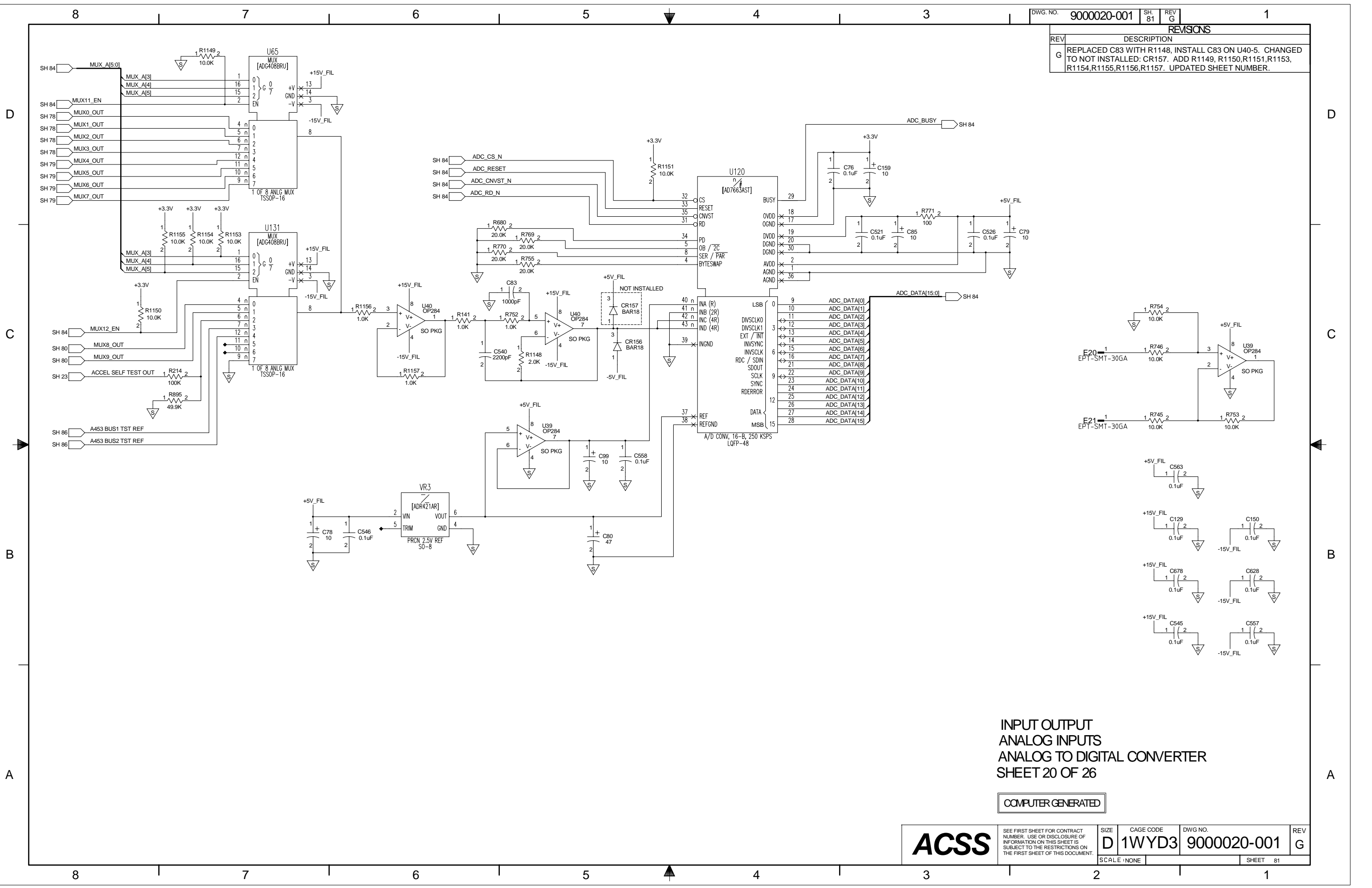
REVISIONS	
REV	DESCRIPTION
G	UPDATED SHEET NUMBERS



INPUT OUTPUT  
ANALOG INPUTS  
ANALOG MULTIPLEXERS  
SHEET 19 OF 26

COMPUTER GENERATED

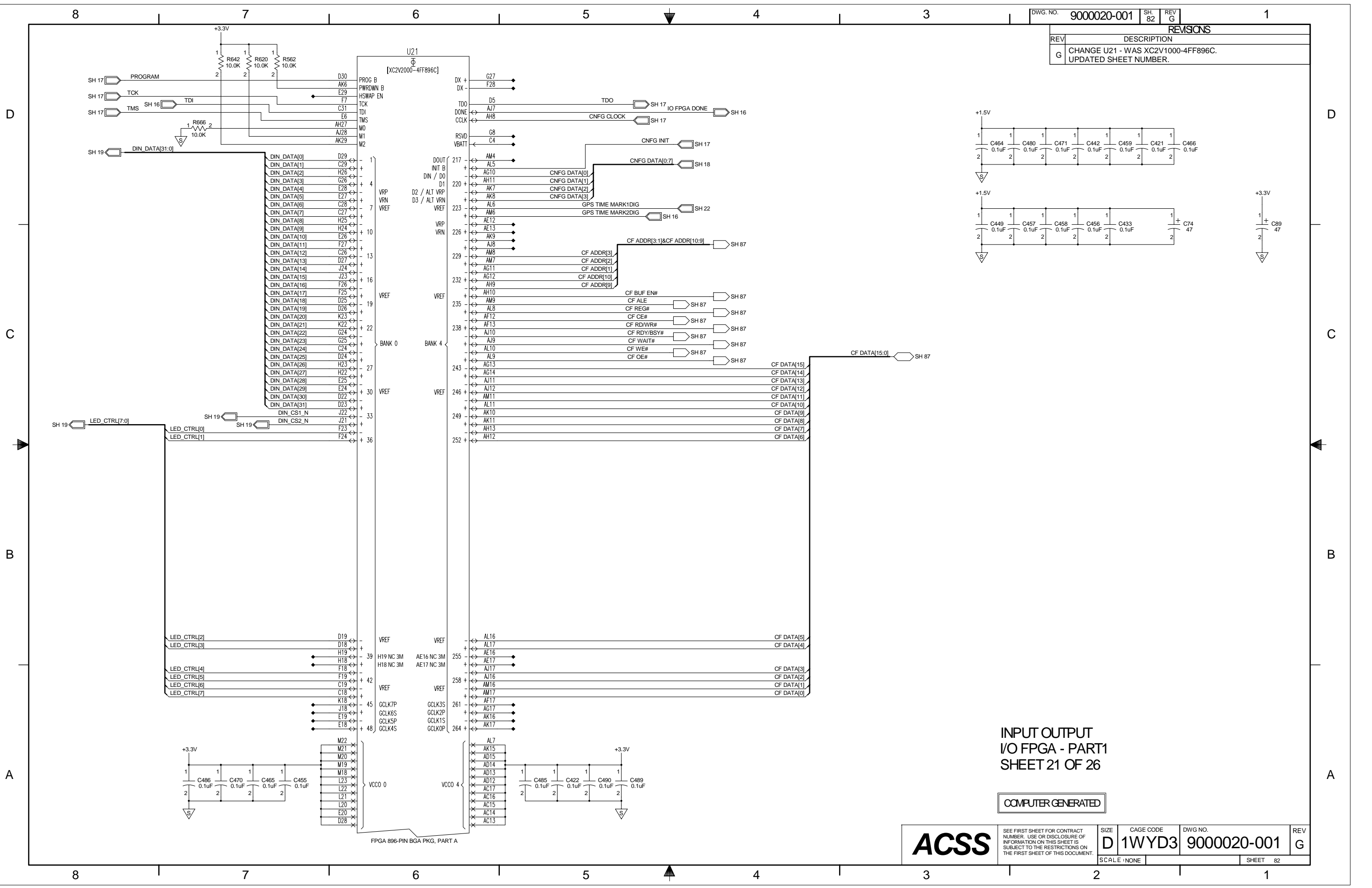
REVISIONS	
REV	DESCRIPTION
G	REPLACED C83 WITH R1148, INSTALL C83 ON U40-5. CHANGED TO NOT INSTALLED: CR157. ADD R1149, R1150, R1151, R1153, R1154, R1155, R1156, R1157. UPDATED SHEET NUMBER.



INPUT OUTPUT  
 ANALOG INPUTS  
 ANALOG TO DIGITAL CONVERTER  
 SHEET 20 OF 26

COMPUTER GENERATED

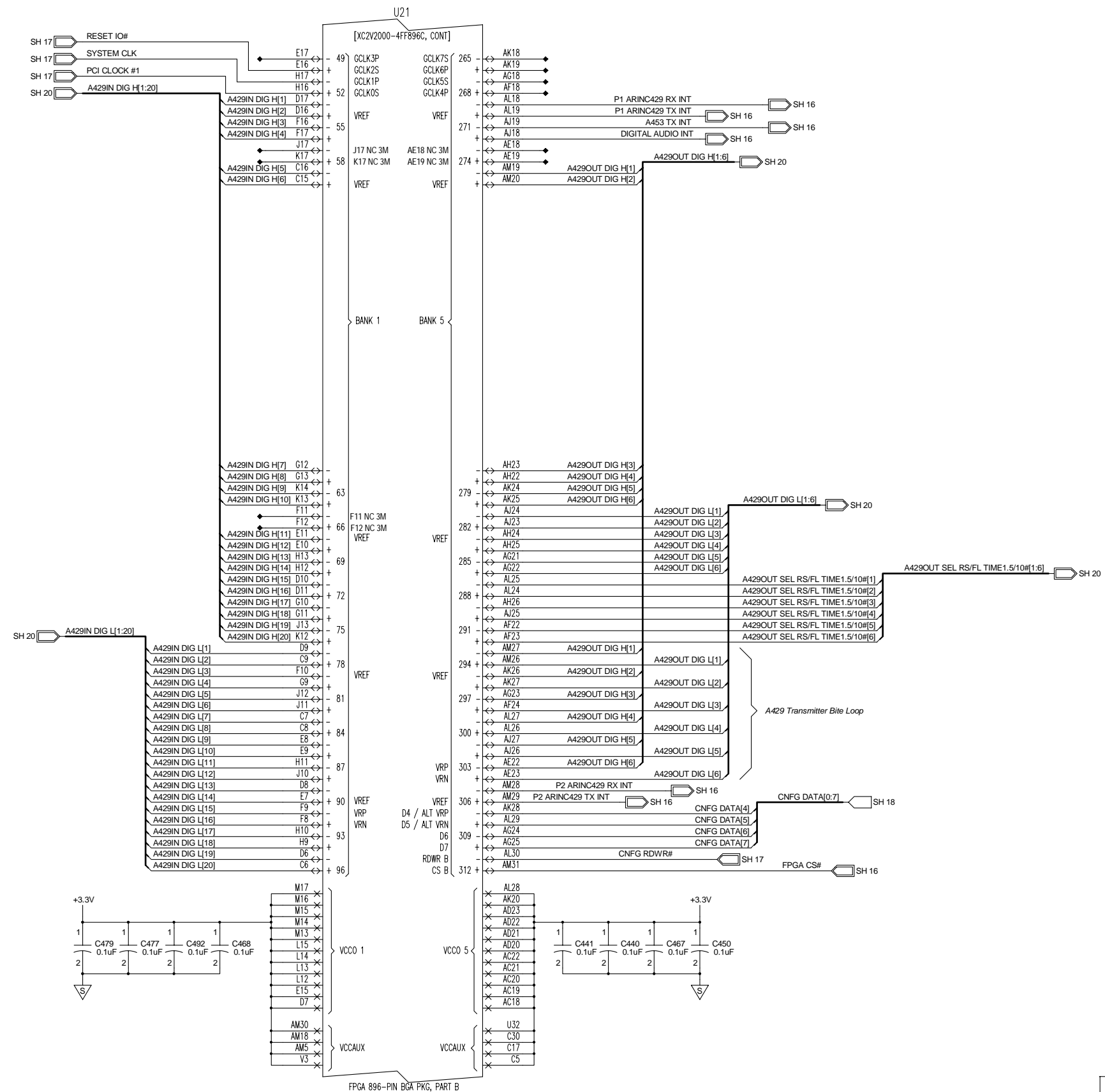
REVISIONS	
REV	DESCRIPTION
G	CHANGE U21 - WAS XC2V1000-4FF896C. UPDATED SHEET NUMBER.



INPUT OUTPUT  
I/O FPGA - PART 1  
SHEET 21 OF 26

COMPUTER GENERATED

REVISIONS	
REV	DESCRIPTION
G	CHANGE U21 - WAS XC2V1000-4FF896C. UPDATED SHEET NUMBER.

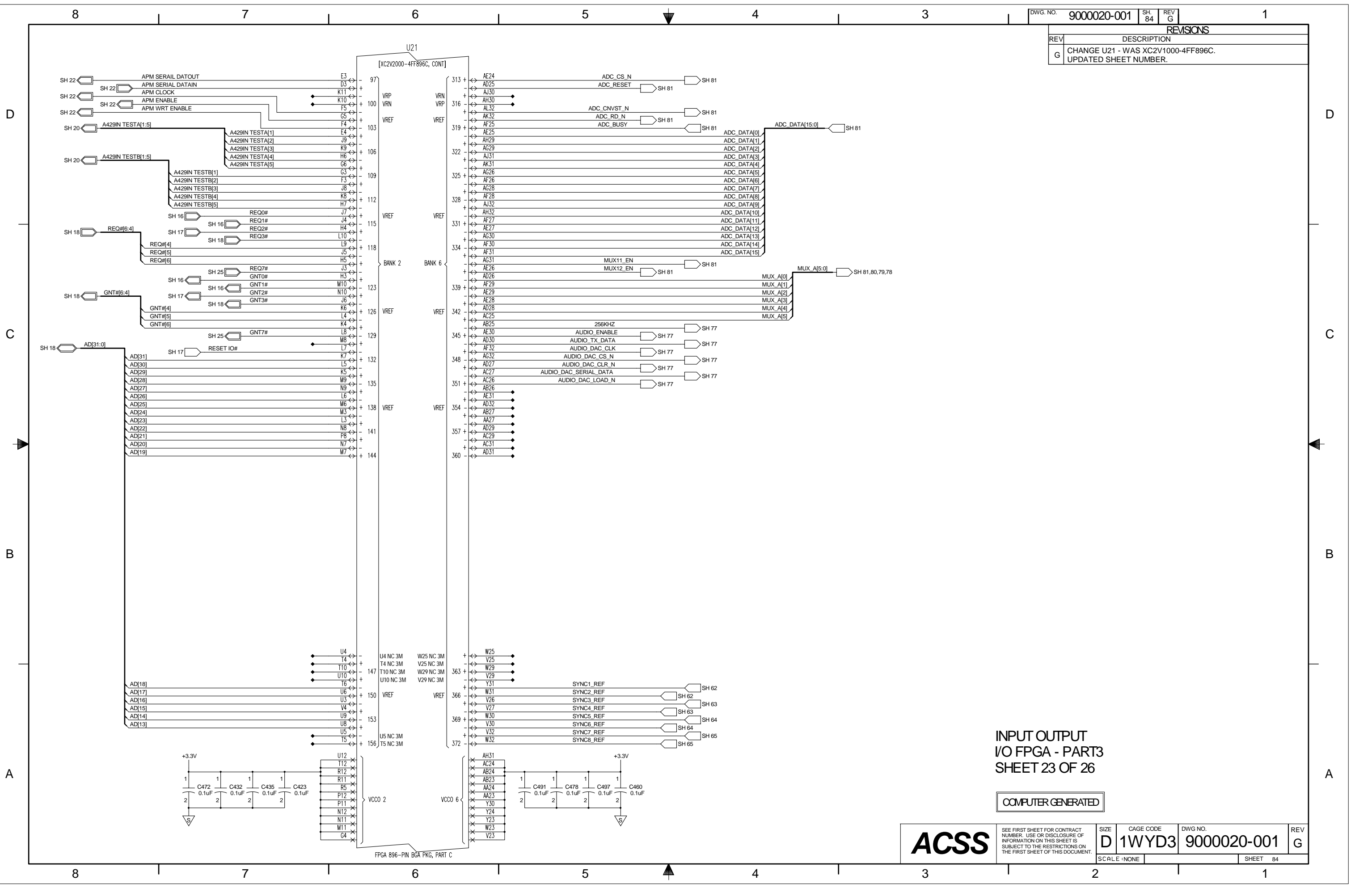


INPUT OUTPUT  
I/O FPGA - PART2  
SHEET 22 OF 26

COMPUTER GENERATED



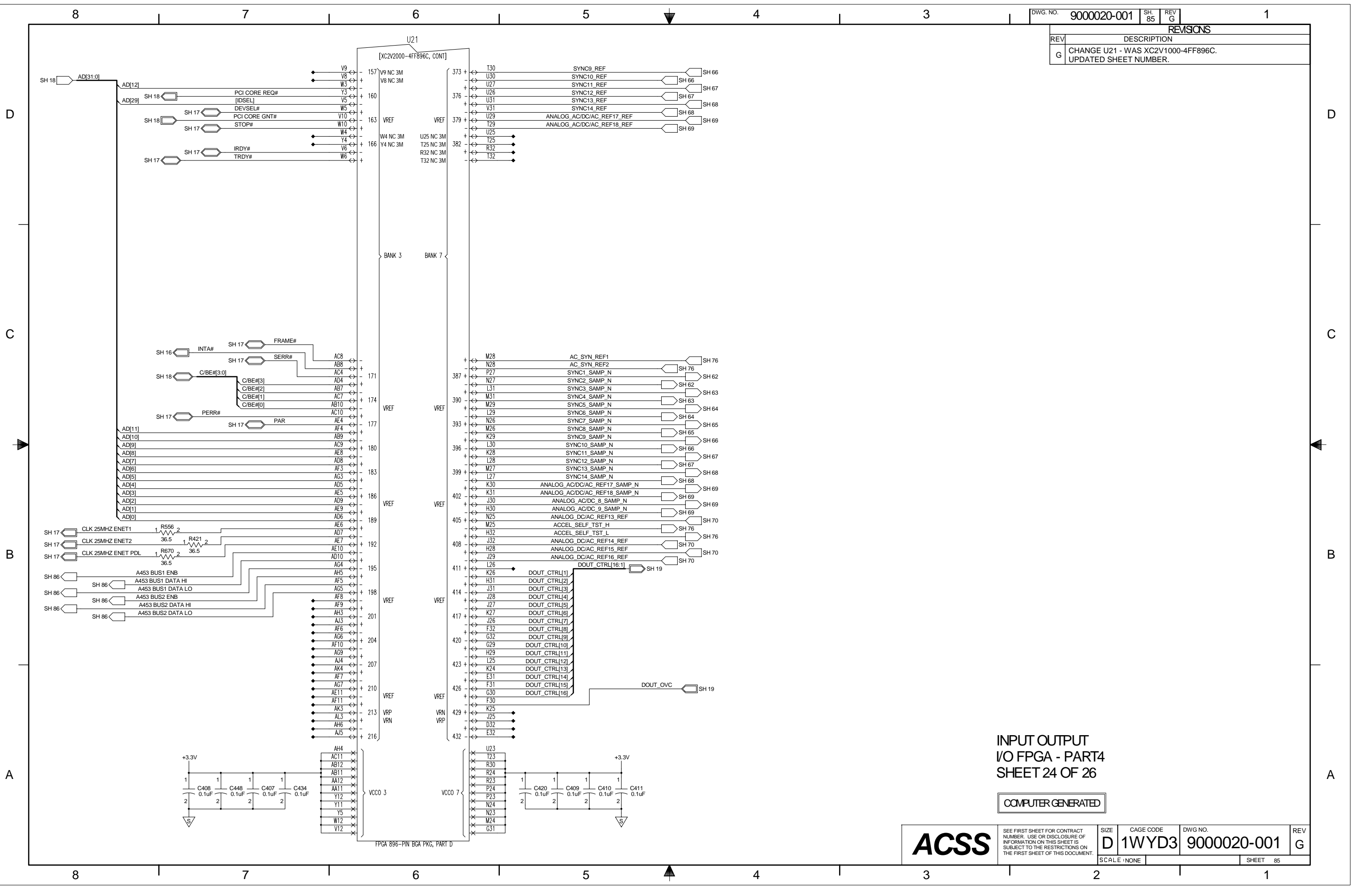
REVISONS	
REV	DESCRIPTION
G	CHANGE U21 - WAS XC2V1000-4FF896C. UPDATED SHEET NUMBER.



INPUT OUTPUT  
 I/O FPGA - PART3  
 SHEET 23 OF 26

COMPUTER GENERATED

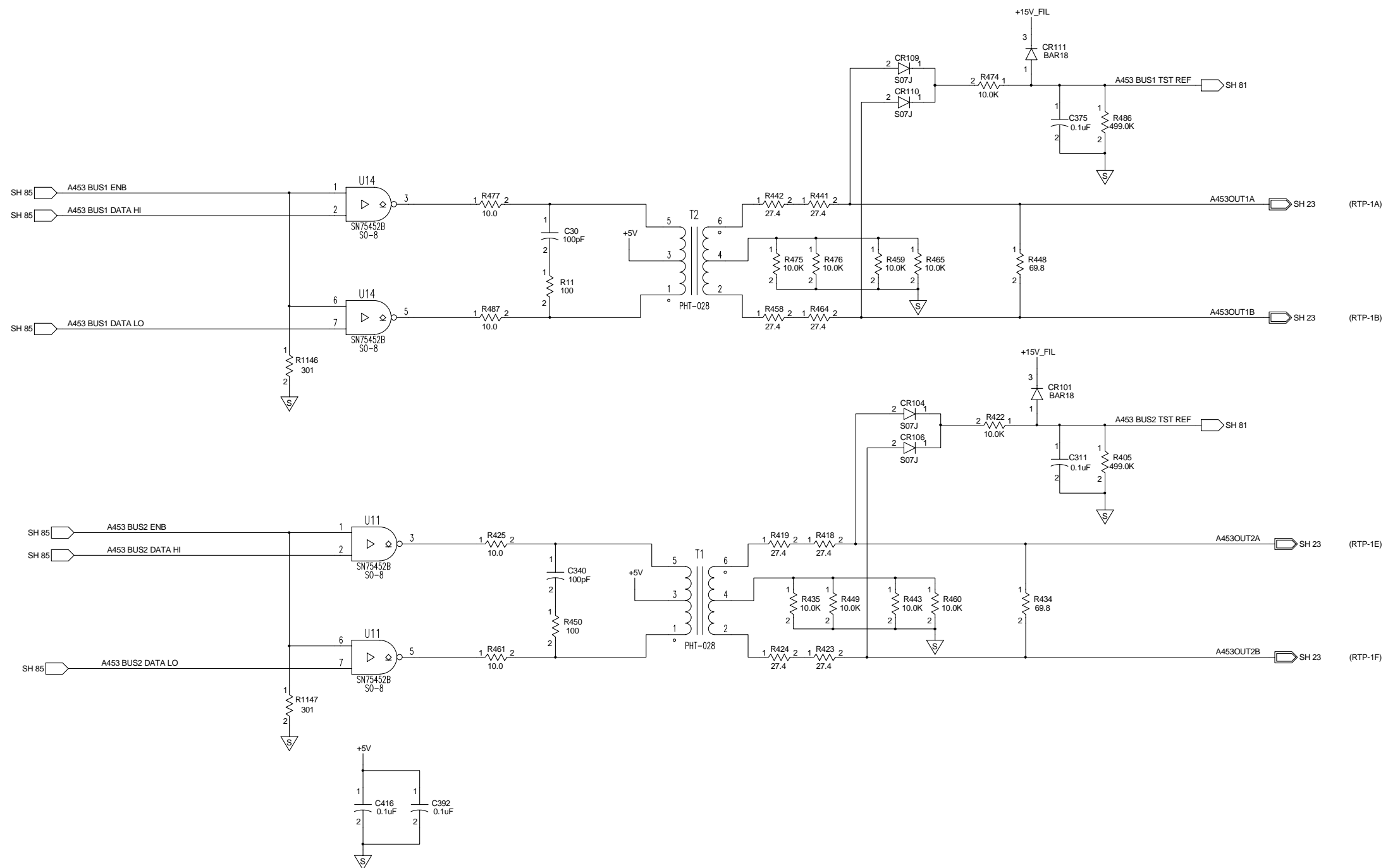
REVISIONS	
REV	DESCRIPTION
G	CHANGE U21 - WAS XC2V1000-4FF896C. UPDATED SHEET NUMBER.



INPUT OUTPUT  
I/O FPGA - PART 4  
SHEET 24 OF 26

COMPUTER GENERATED

DWG. NO.	9000020-001	SH.	86	REV.	G
REVISIONS					
REV.	DESCRIPTION				
G	CHANGE U11 & U14 - WAS SN75451B, ADD R1146, R1147. CHANGE C311 & C375 - WAS 1000pF. UPDATE SHEET NUMBER.				

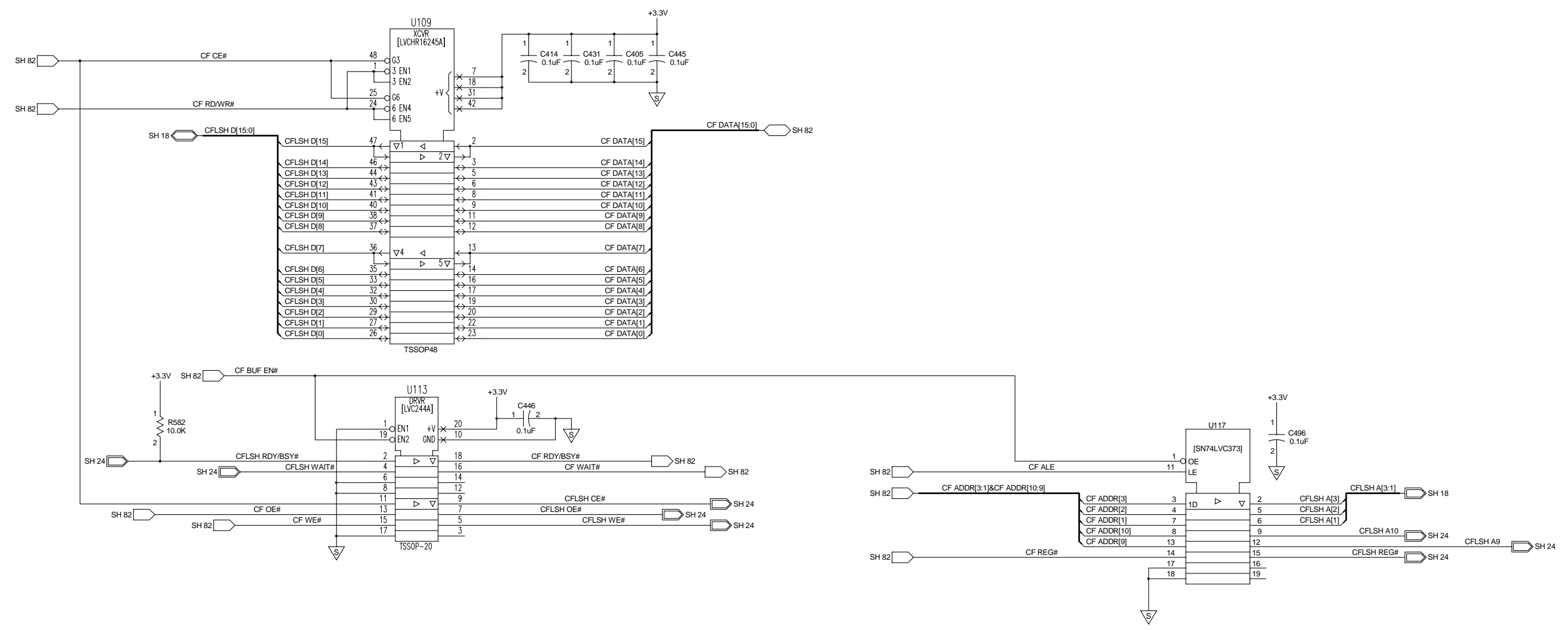


INPUT OUTPUT  
ARINC 453 BUS DRIVERS  
SHEET 25 OF 26

COMPUTER GENERATED

ACSS	SEE FIRST SHEET FOR CONTRACT NUMBER. USE OR DISCLOSURE OF INFORMATION ON THIS SHEET IS SUBJECT TO THE RESTRICTIONS ON THE FIRST SHEET OF THIS DOCUMENT.			SIZE	CAGE CODE	DWG. NO.	REV
	D	1WYD3	9000020-001	G	SCALE: NONE	SHEET 86	

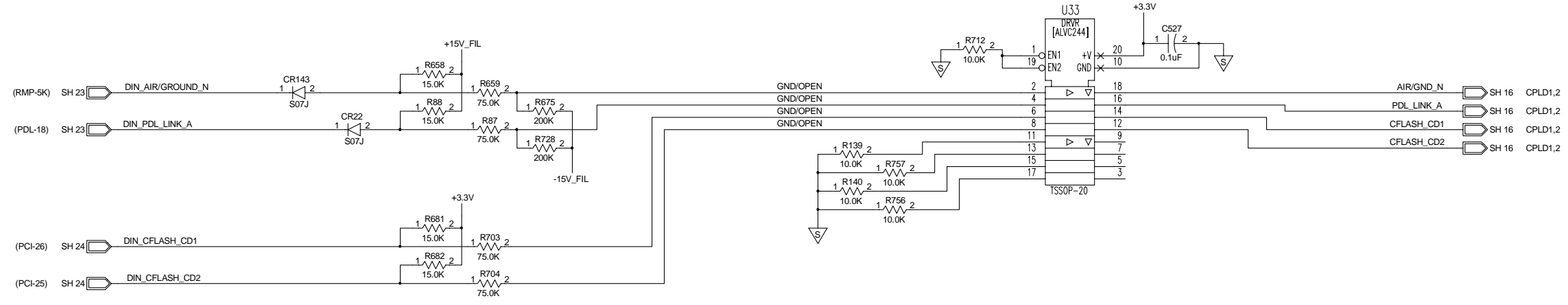
REVISIONS	
REV	DESCRIPTION
G	UPDATED SHEET NUMBERS



INPUT OUTPUT  
COMPACT FLASH INTERFACE  
SHEET 26 OF 26

COMPUTER GENERATED

REVISIONS	
REV	DESCRIPTION
G	UPDATED SHEET NUMBERS



DISCRETE INPUT OUTPUT  
 DISCRETE INPUTS  
 SHEET 1 OF 9

COMPUTER GENERATED

REVISIONS	
REV	DESCRIPTION
G	UPDATED SHEET NUMBERS. ADDED R1141.

D

D

C

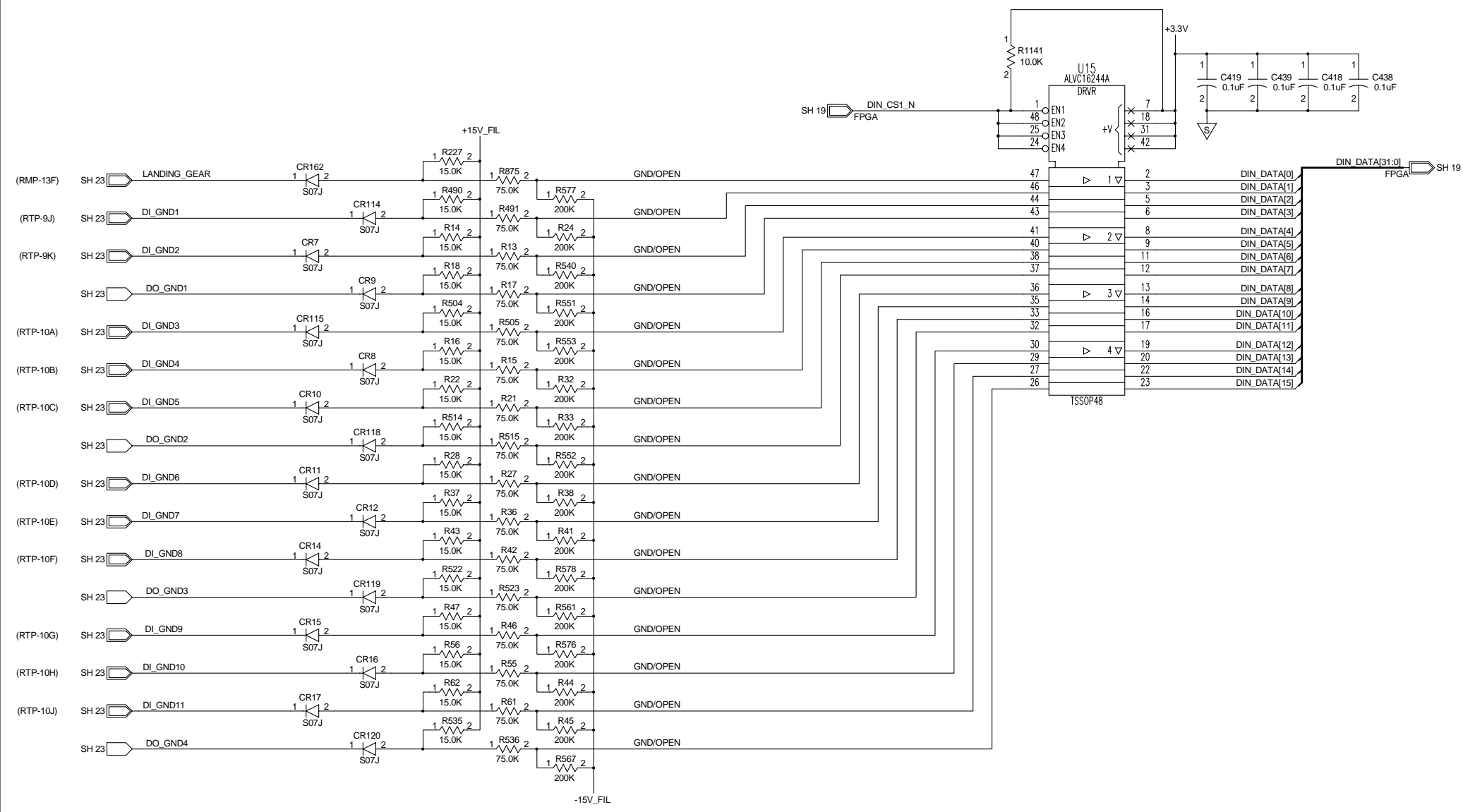
C

B

B

A

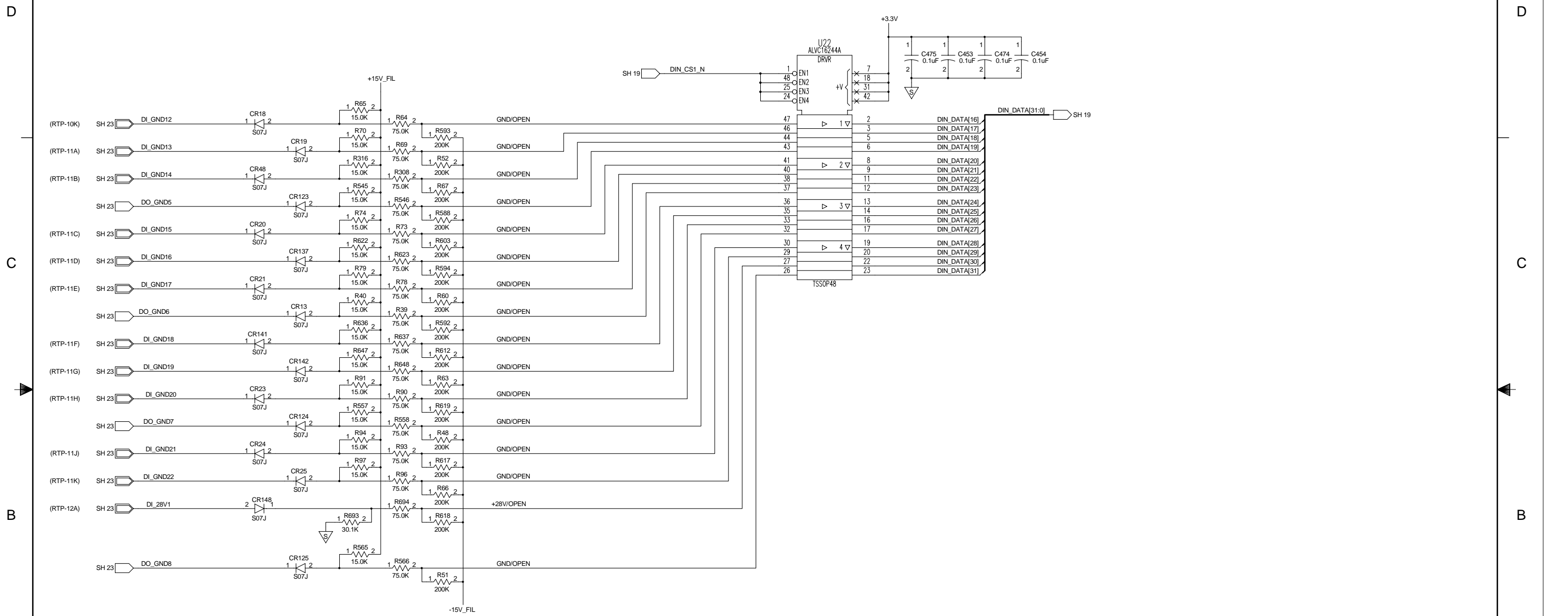
A



DISCRETE INPUT OUTPUT  
DISCRETE INPUTS  
SHEET 2 OF 9

COMPUTER GENERATED

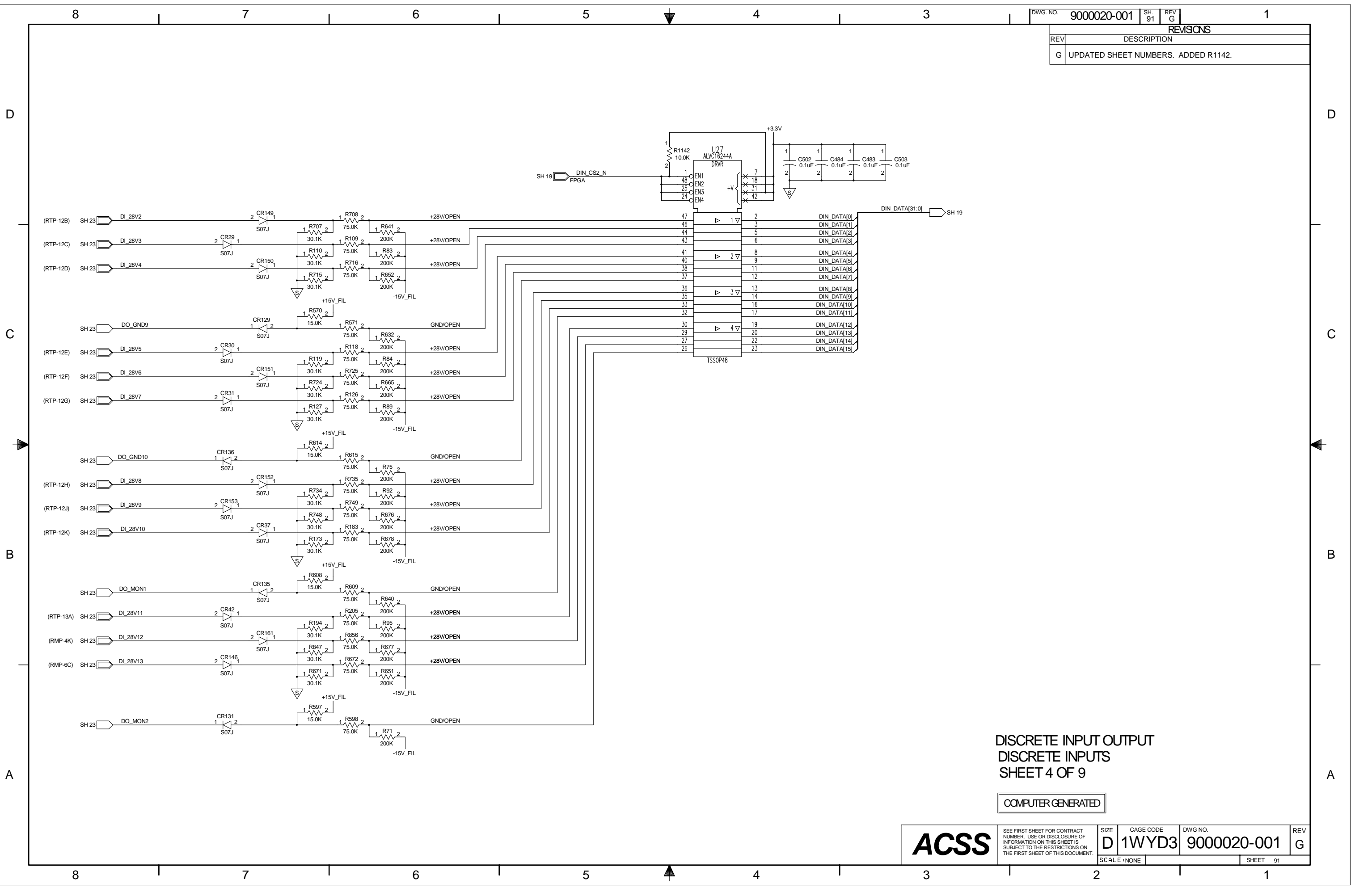
REVISIONS	
REV	DESCRIPTION
G	UPDATED SHEET NUMBERS



DISCRETE INPUT OUTPUT  
DISCRETE INPUTS  
SHEET 3 OF 9

COMPUTER GENERATED

REVISIONS	
REV	DESCRIPTION
G	UPDATED SHEET NUMBERS. ADDED R1142.



DISCRETE INPUT OUTPUT  
DISCRETE INPUTS  
SHEET 4 OF 9

COMPUTER GENERATED



REVISIONS	
REV	DESCRIPTION
G	UPDATED SHEET NUMBERS

D

D

C

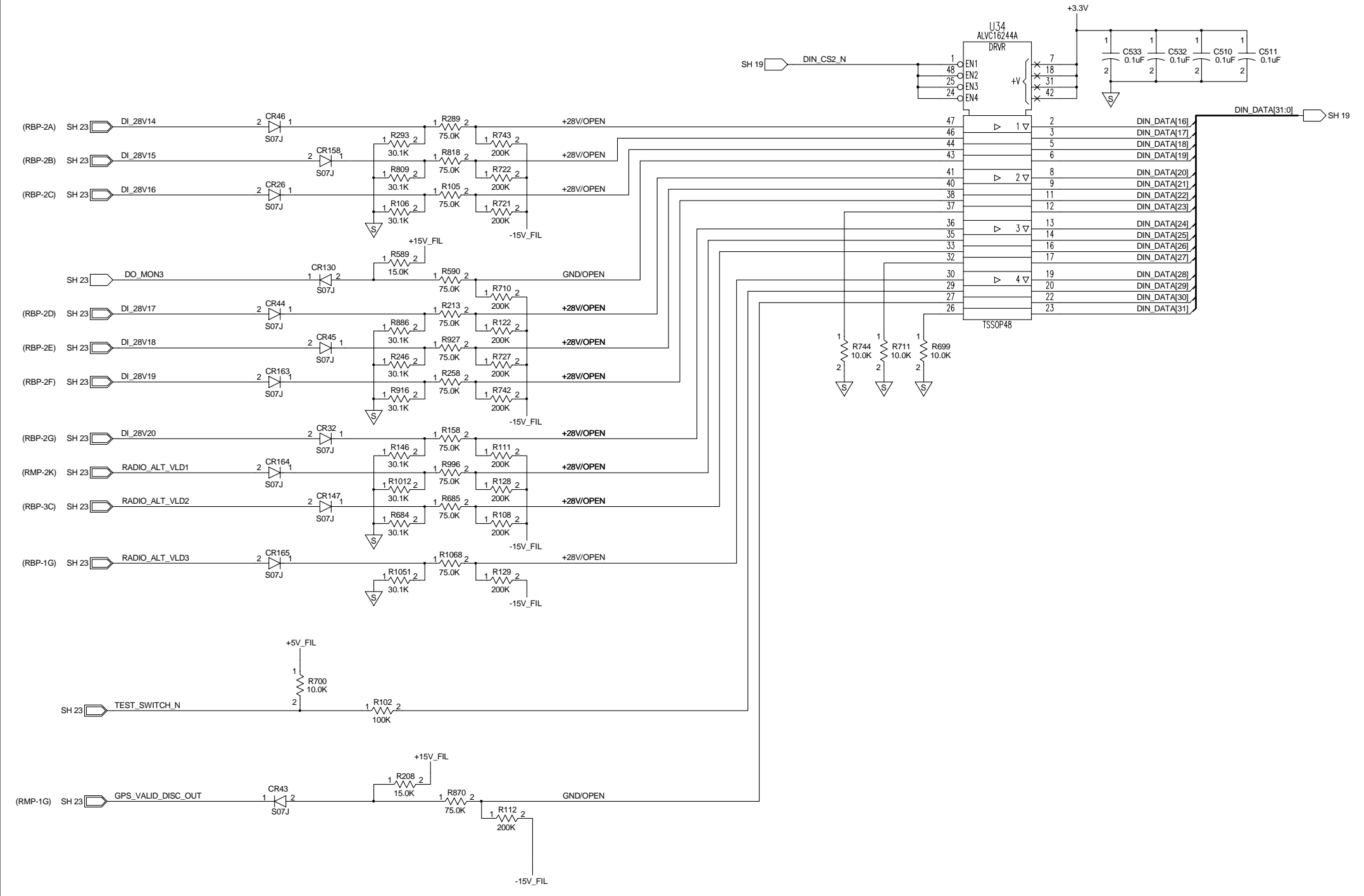
C

B

B

A

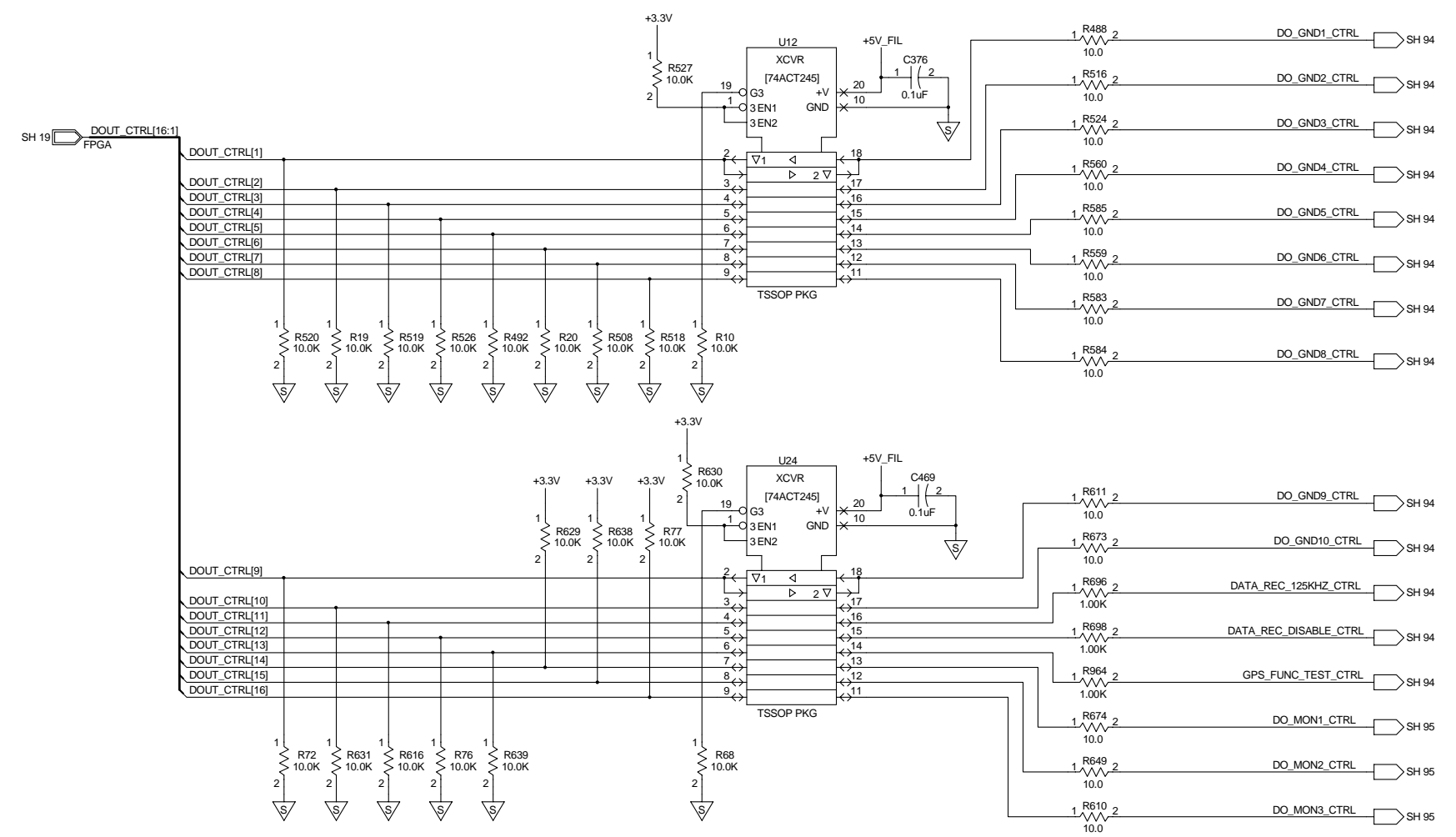
A



DISCRETE INPUT OUTPUT  
DISCRETE INPUTS  
SHEET 5 OF 9

COMPUTER GENERATED

REVISIONS	
REV	DESCRIPTION
G	UPDATED SHEET NUMBERS

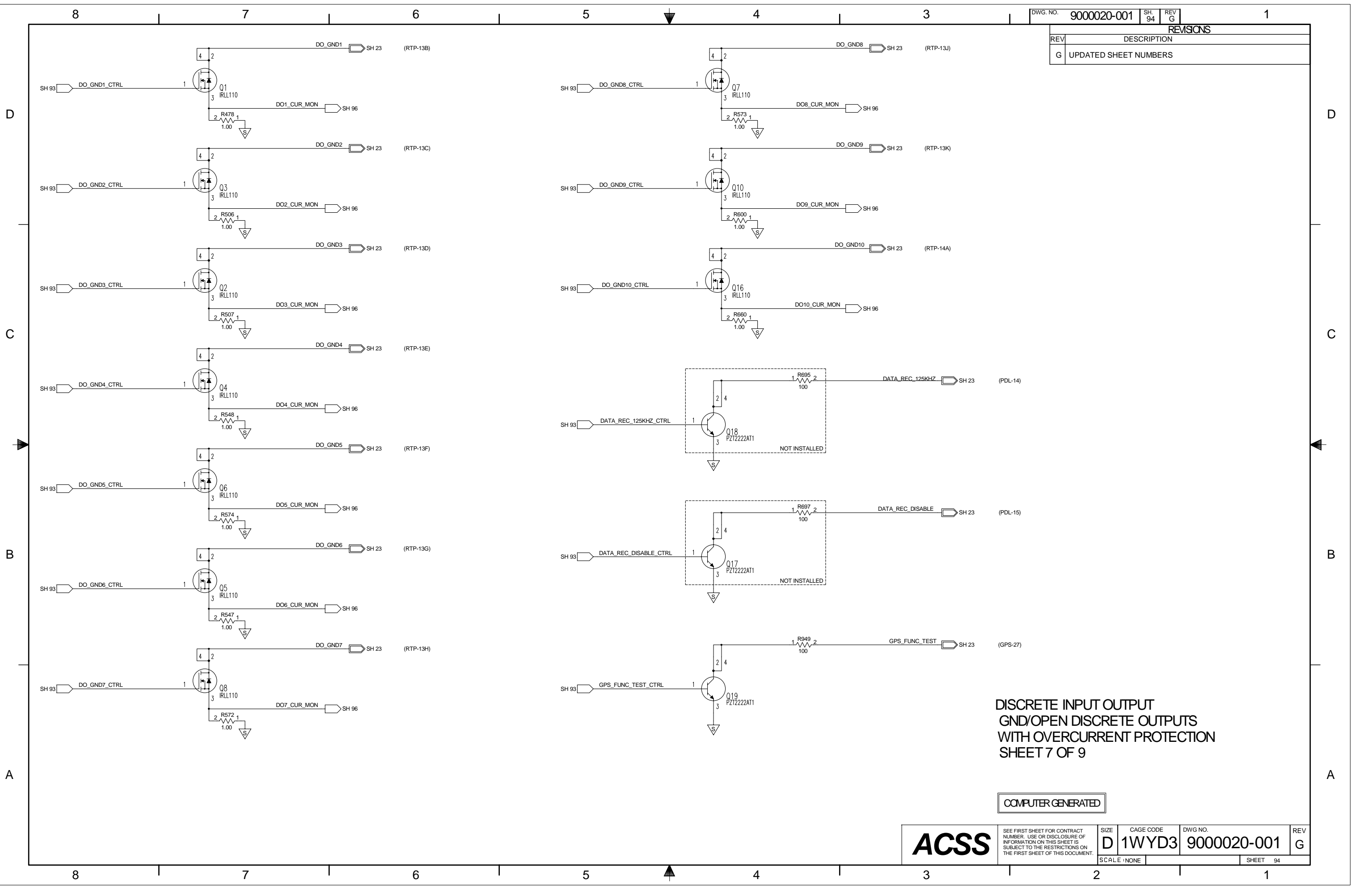


DISCRETE INPUT OUTPUT  
GND/OPEN DISCRETE OUTPUT DRIVERS  
SHEET 6 OF 9

COMPUTER GENERATED

<b>ACSS</b>	SEE FIRST SHEET FOR CONTRACT NUMBER. USE OR DISCLOSURE OF INFORMATION ON THIS SHEET IS SUBJECT TO THE RESTRICTIONS ON THE FIRST SHEET OF THIS DOCUMENT.	SIZE <b>D</b>	CAGE CODE <b>1WYD3</b>	DWG NO. <b>9000020-001</b>	REV <b>G</b>
	SCALE: NONE	SHEET 93			

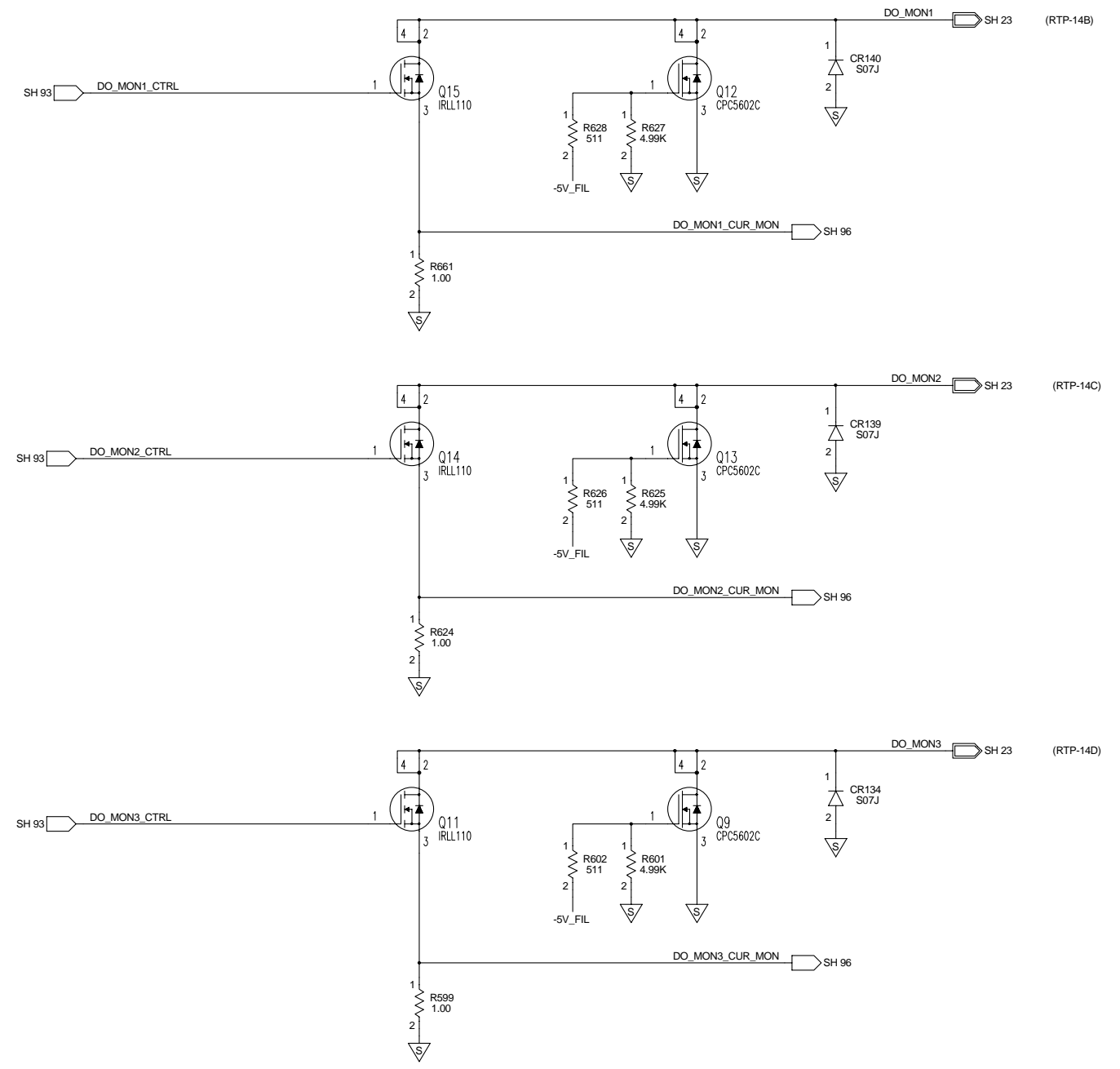
REVISIONS	
REV	DESCRIPTION
G	UPDATED SHEET NUMBERS



DISCRETE INPUT OUTPUT  
 GND/OPEN DISCRETE OUTPUTS  
 WITH OVERCURRENT PROTECTION  
 SHEET 7 OF 9

COMPUTER GENERATED

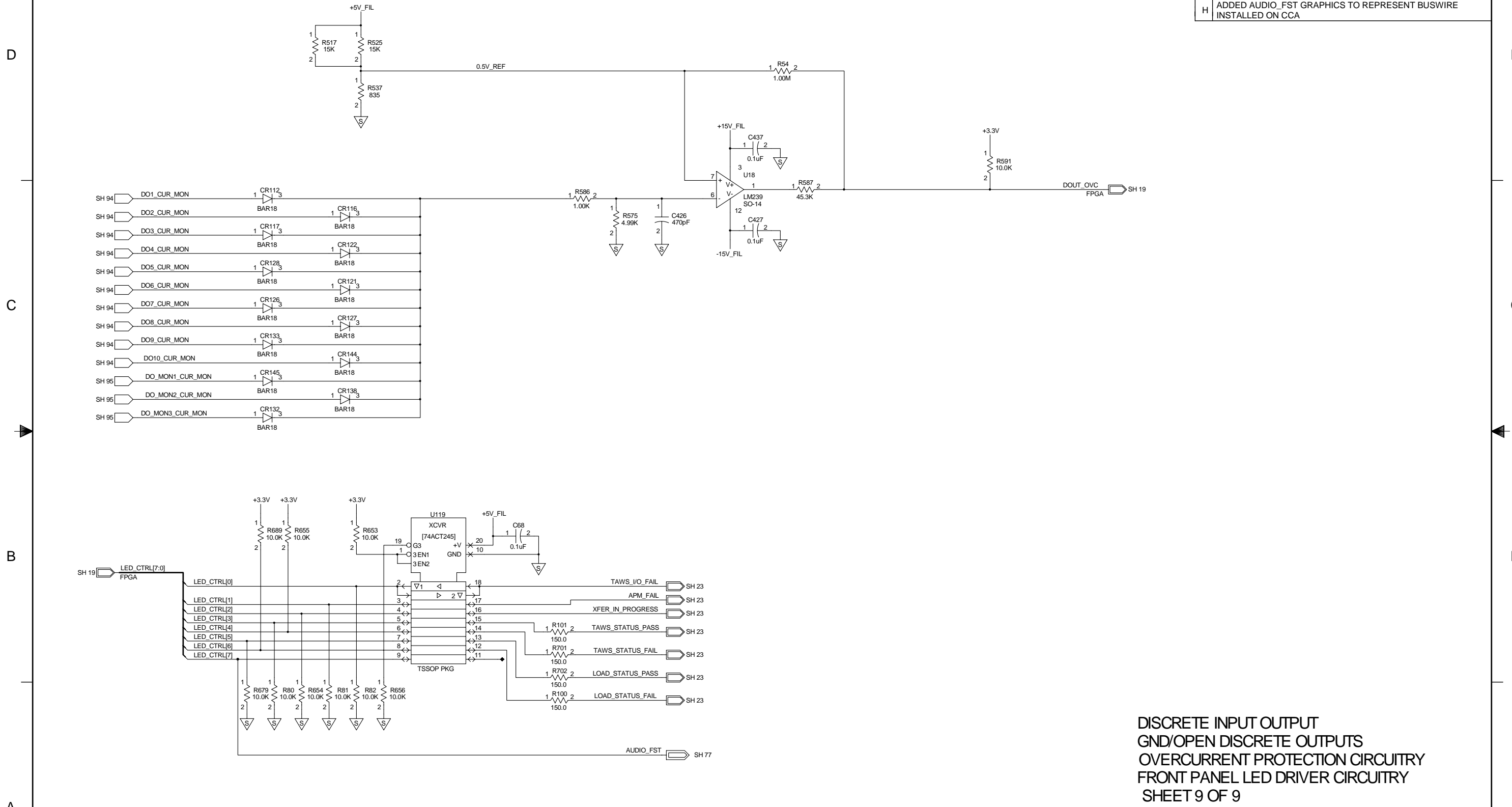
REVISIONS	
REV	DESCRIPTION
G	UPDATED SHEET NUMBERS



DISCRETE INPUT OUTPUT  
 GND/OPEN DISCRETE OUTPUT MONITORS  
 WITH OVERCURRENT PROTECTION  
 SHEET 8 OF 9

COMPUTER GENERATED

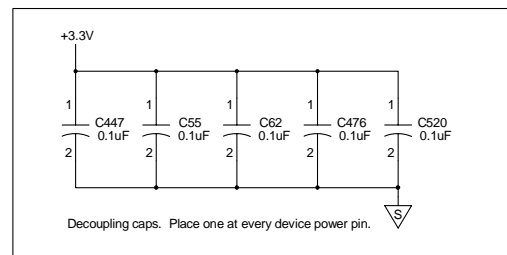
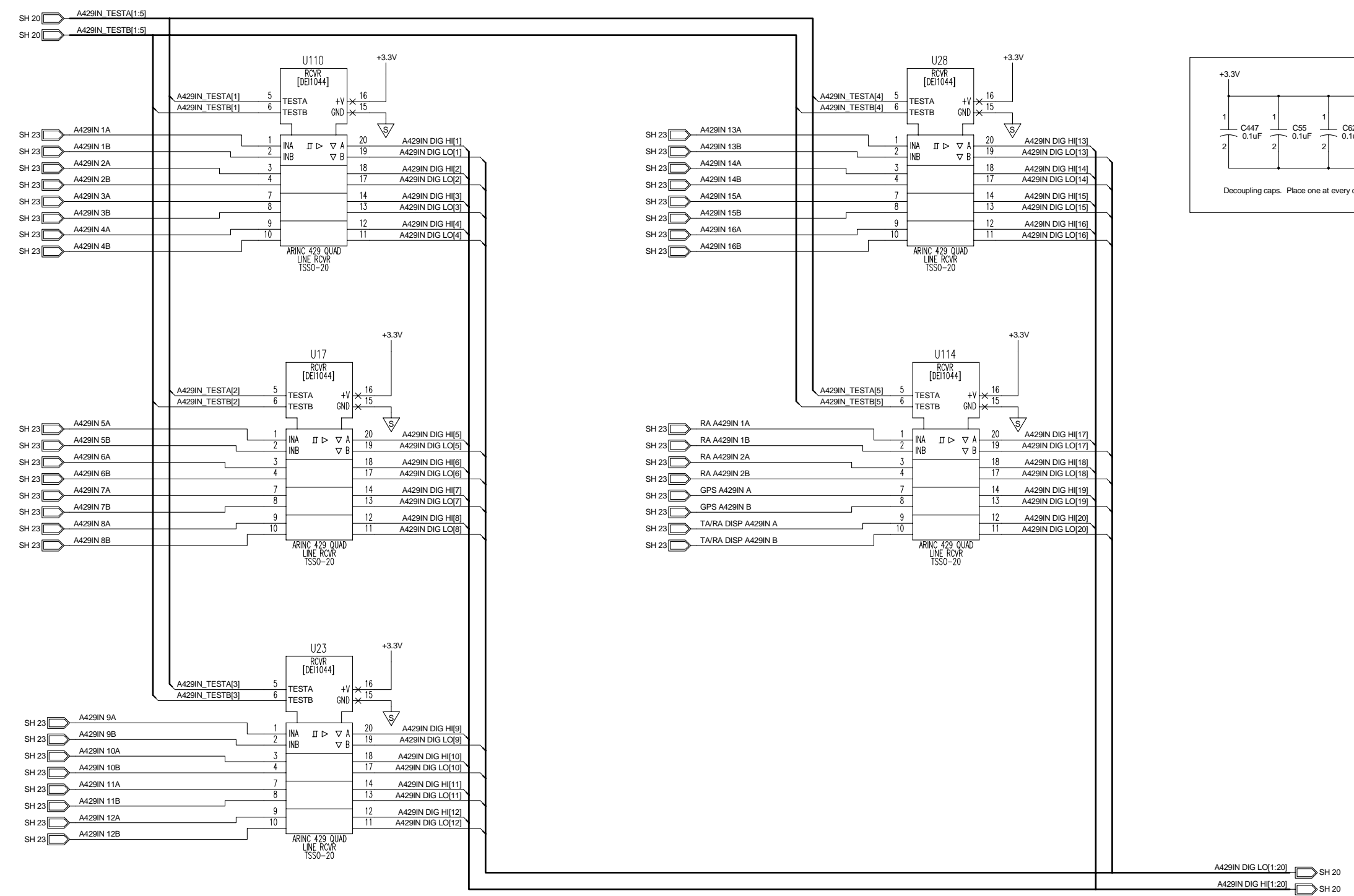
REVISIONS	
REV	DESCRIPTION
G	UPDATED SHEET NUMBERS
H	ADDED AUDIO_FST GRAPHICS TO REPRESENT BUSWIRE INSTALLED ON CCA



DISCRETE INPUT OUTPUT  
 GND/OPEN DISCRETE OUTPUTS  
 OVERCURRENT PROTECTION CIRCUITRY  
 FRONT PANEL LED DRIVER CIRCUITRY  
 SHEET 9 OF 9

COMPUTER GENERATED

REVISIONS	
REV	DESCRIPTION
G	UPDATED SHEET NUMBERS

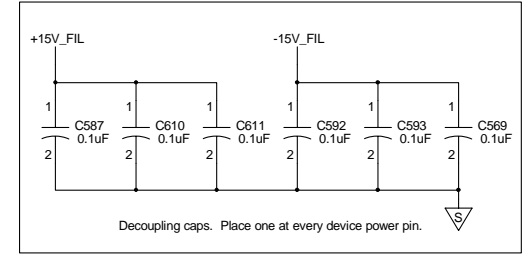
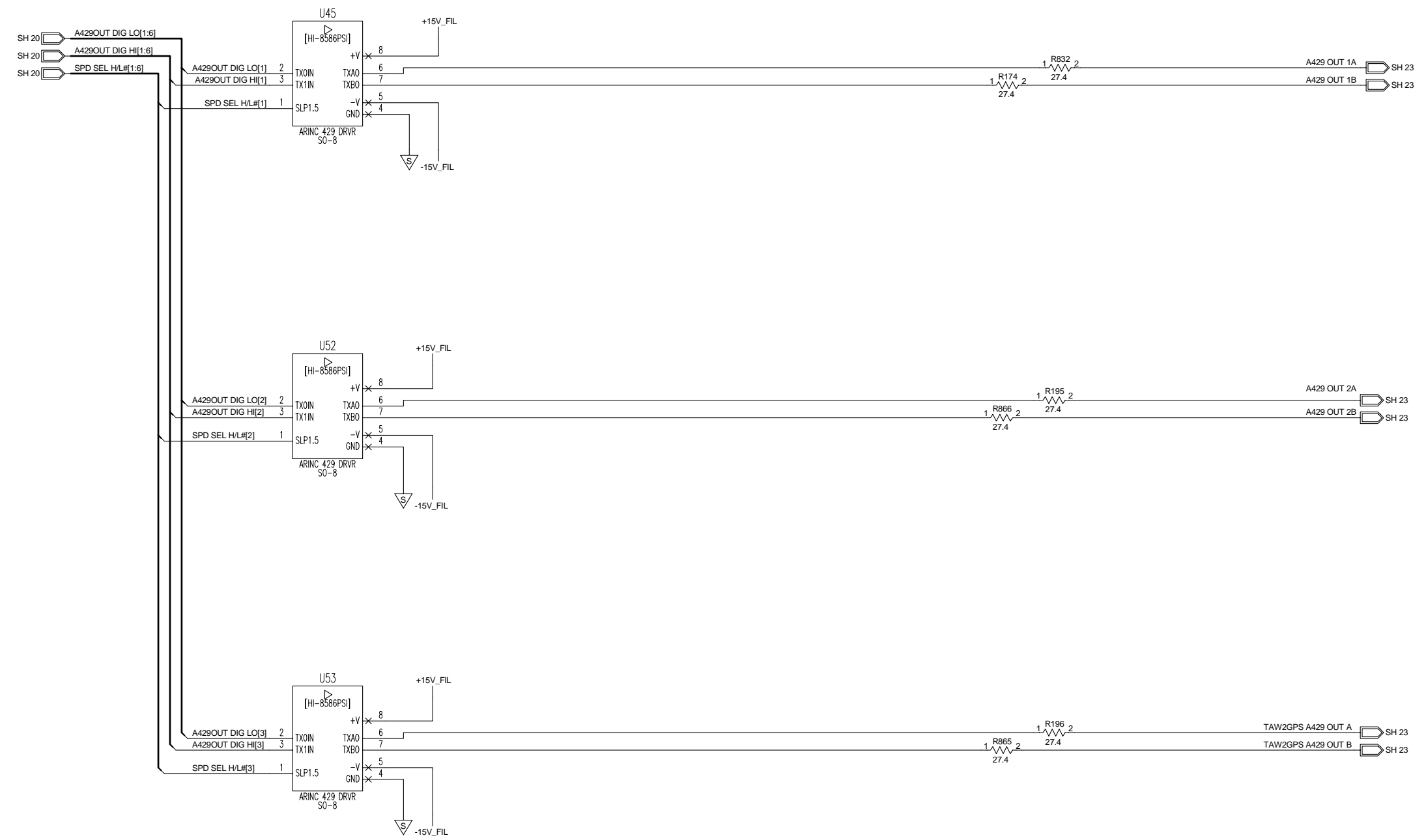


A429 INPUT OUTPUT  
ARINC 429 - INPUT  
SHEET NO. 1 OF 3

COMPUTER GENERATED

<b>ACSS</b>	SEE FIRST SHEET FOR CONTRACT NUMBER. USE OR DISCLOSURE OF INFORMATION ON THIS SHEET IS SUBJECT TO THE RESTRICTIONS ON THE FIRST SHEET OF THIS DOCUMENT.	SIZE <b>D</b>	CAGE CODE <b>1WYD3</b>	DWG. NO. <b>9000020-001</b>	REV <b>G</b>
	SCALE: NONE	SHEET 97			

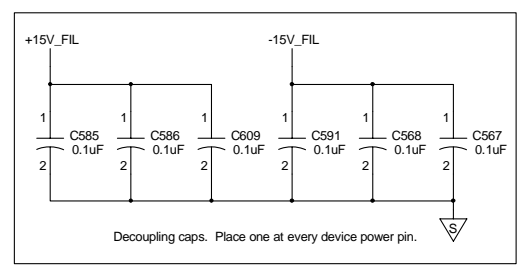
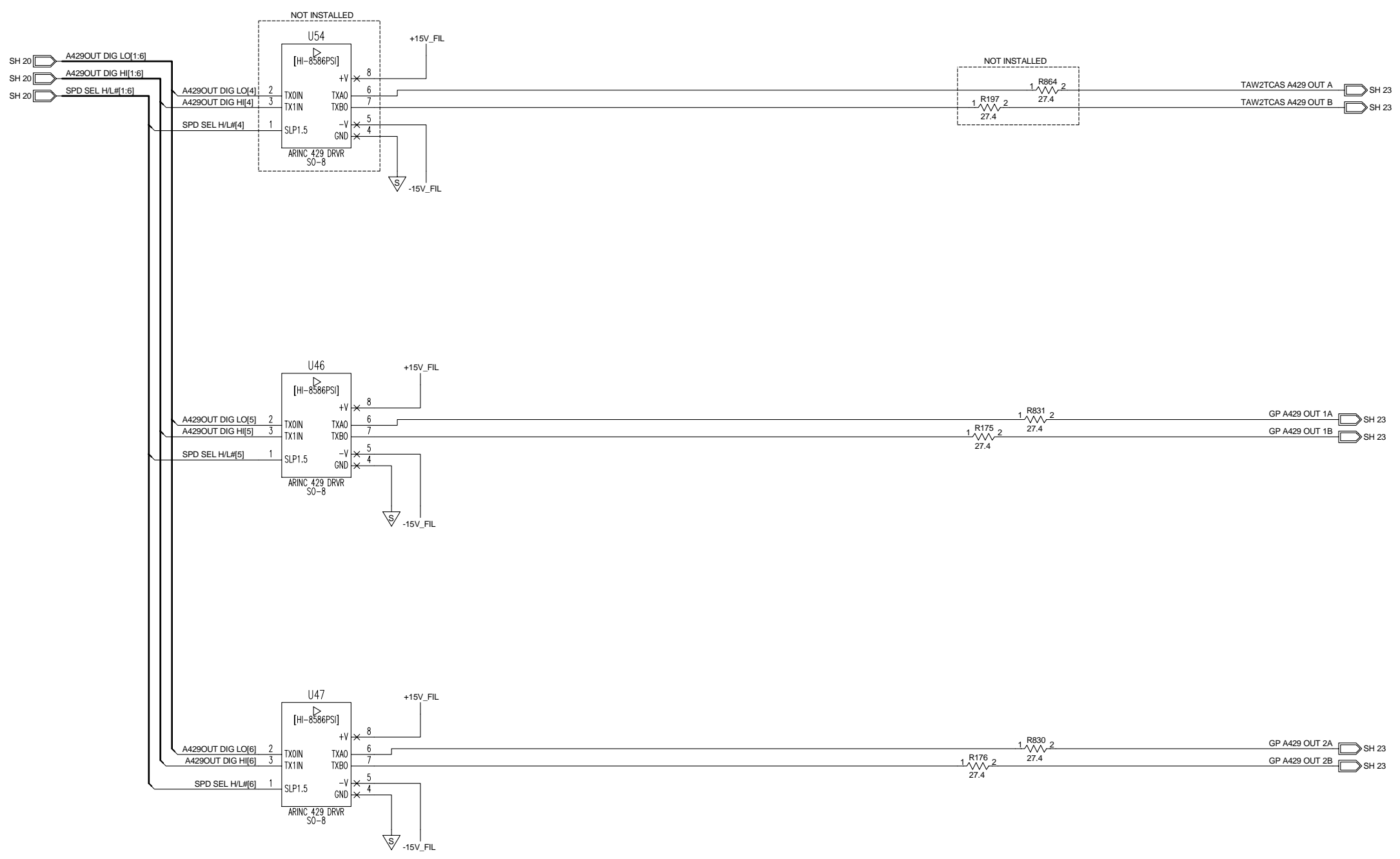
REVISIONS	
REV	DESCRIPTION
G	UPDATED SHEET NUMBERS



A429 INPUT OUTPUT  
ARINC 429 - OUTPUT (1 OF 2)  
SHEET NO. 2 OF 3

COMPUTER GENERATED

REVISIONS	
REV	DESCRIPTION
G	CHANGED TO NOT INSTALLED: U54,R197,R864. UPDATED SHEET NUMBERS.

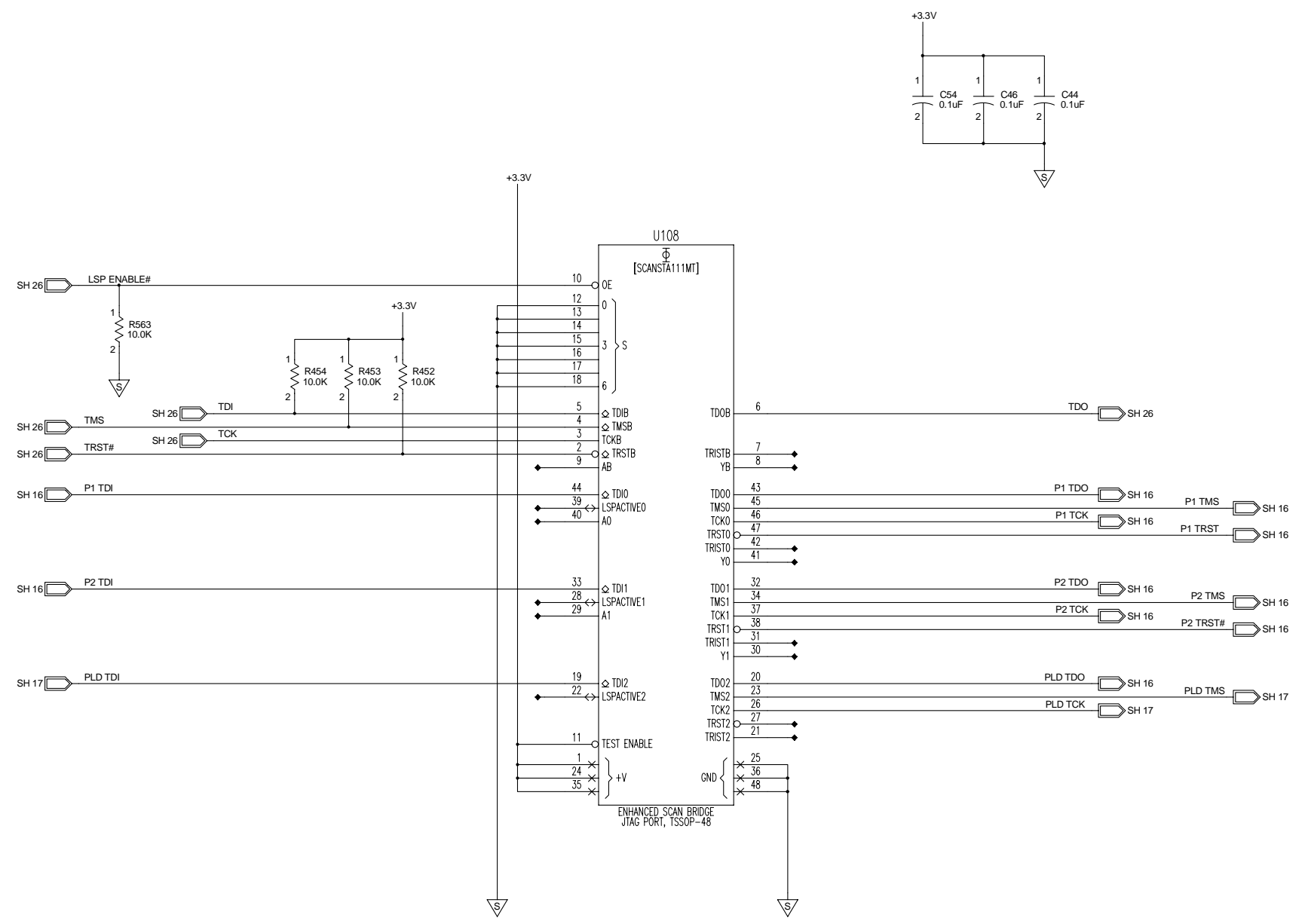


A429 INPUT OUTPUT  
ARINC 429 - OUTPUT (2 OF 2)  
SHEET NO. 3 OF 3

COMPUTER GENERATED



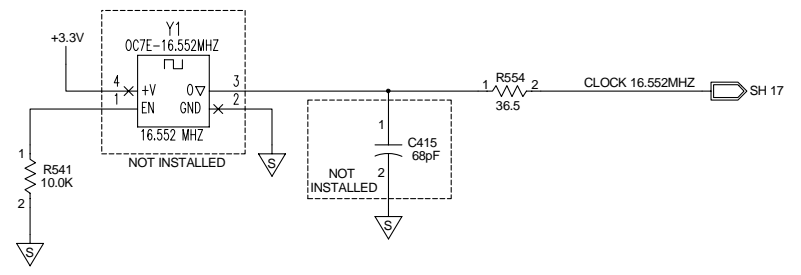
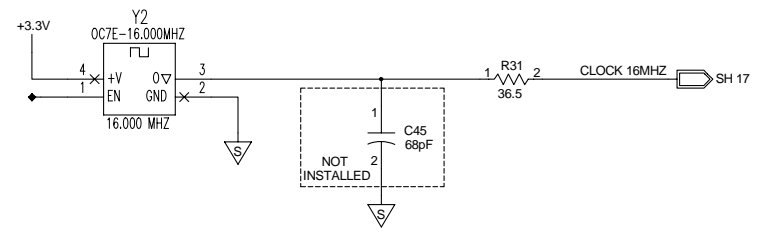
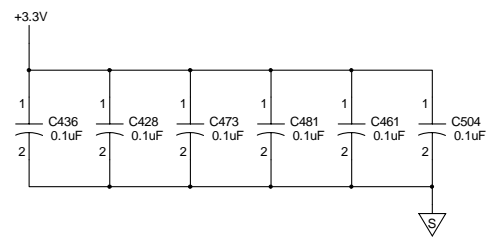
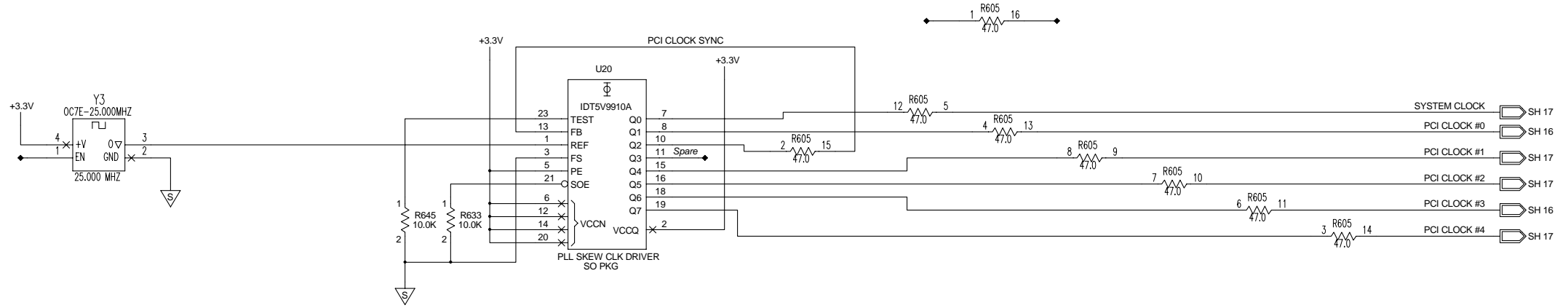
REVISIONS	
REV	DESCRIPTION
G	UPDATED SHEET NUMBERS



JTAG SCAN  
 JTAG SCAN CHAINS - SCAN BRIDGE  
 SHEET NO. 1 OF 1

COMPUTER GENERATED

REVISIONS	
REV	DESCRIPTION
G	UPDATED SHEET NUMBERS
H	CHANGED TO NOT INSTALLED: Y1

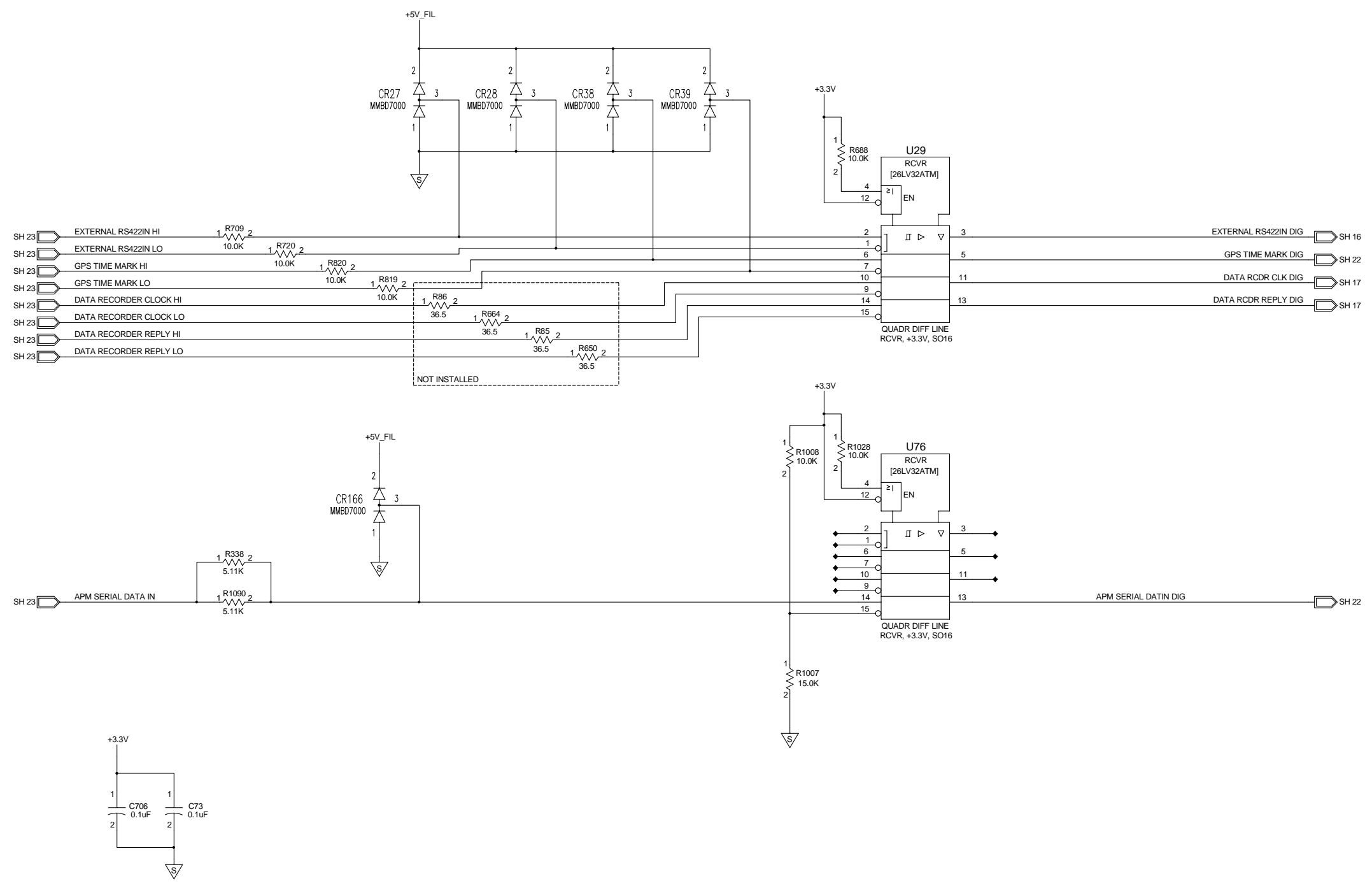


Notes:  
1. Spare clock output on IDT5V9910A can not be disabled.

CLOCK GENERATOR  
DRIVERS AND OSCILLATORS  
SHEET NO. 1 OF 1

COMPUTER GENERATED

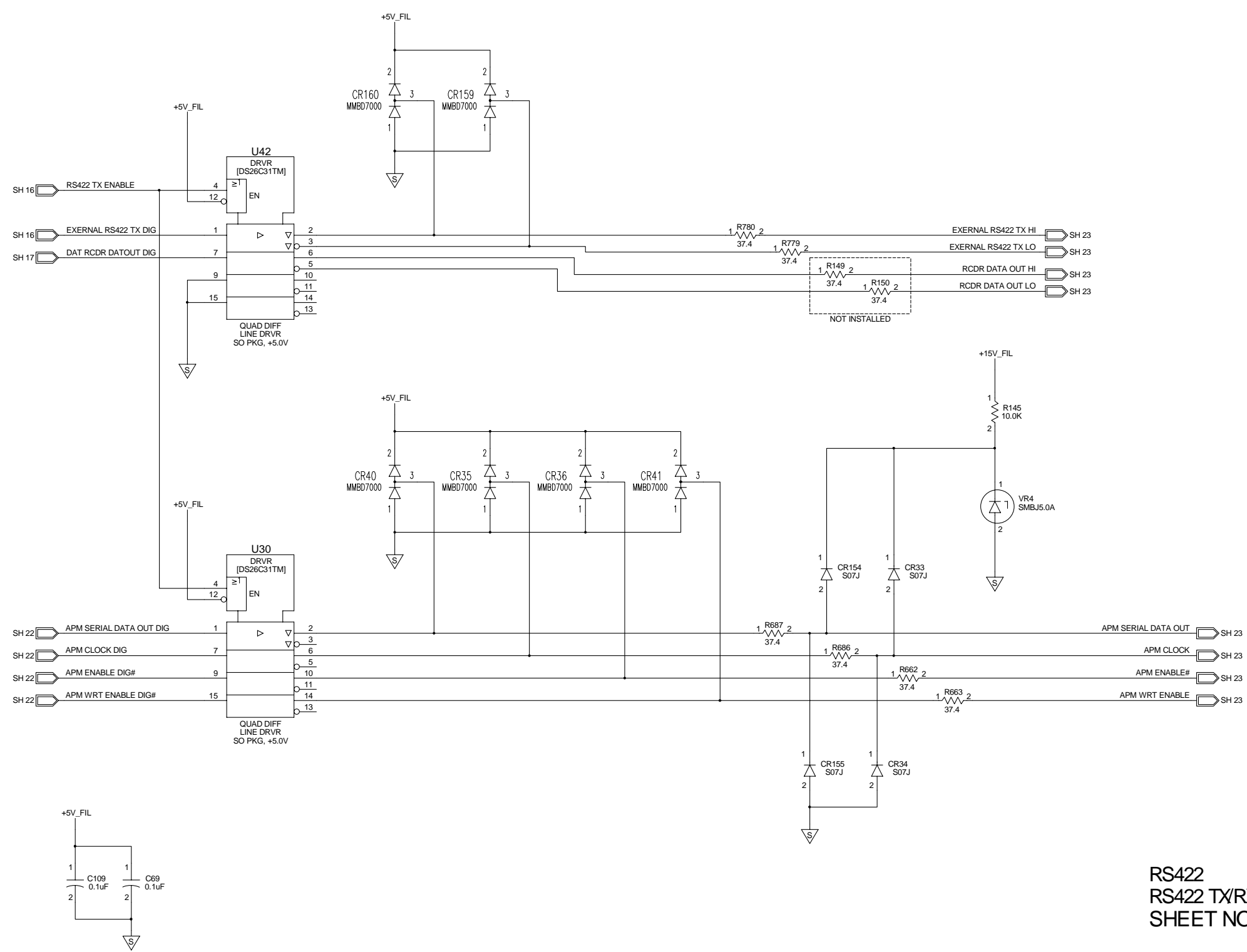
REVISIONS	
REV	DESCRIPTION
G	CHANGED TO NOT INSTALLED: R85,R86,R650,R664. CHANGED R338,R1090 VALUE FROM 10.0K TO 5.11K. CHANGED R1007 VALUE FROM 10.0K TO 15.0K. UPDATED SHEET NUMBER.



RS422  
RS422 TX/RX - RECEIVER  
SHEET NO. 1 OF 2

COMPUTER GENERATED

REVISIONS	
REV	DESCRIPTION
G	CHANGED TO NOT INSTALLED: R149,R150. UPDATED SHEET NUMBER.



RS422  
RS422 TX/RX - TRANSMITTER  
SHEET NO. 2 OF 2

COMPUTER GENERATED