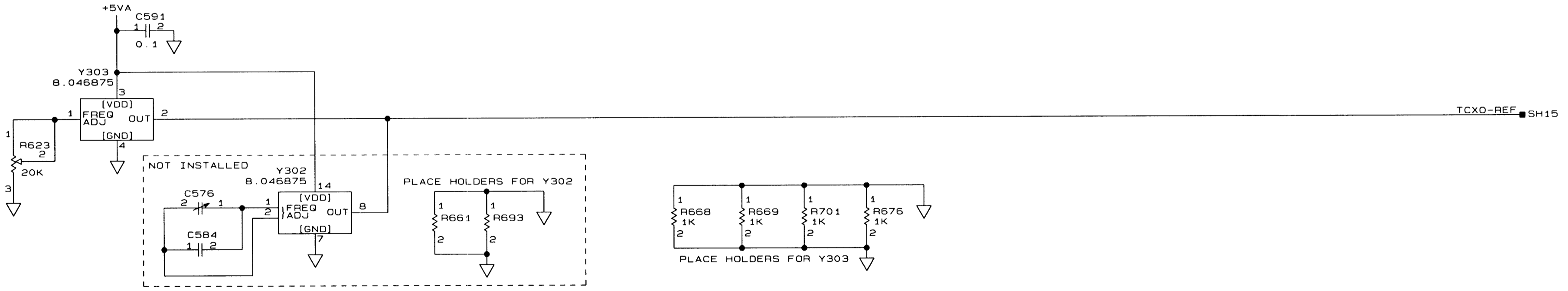
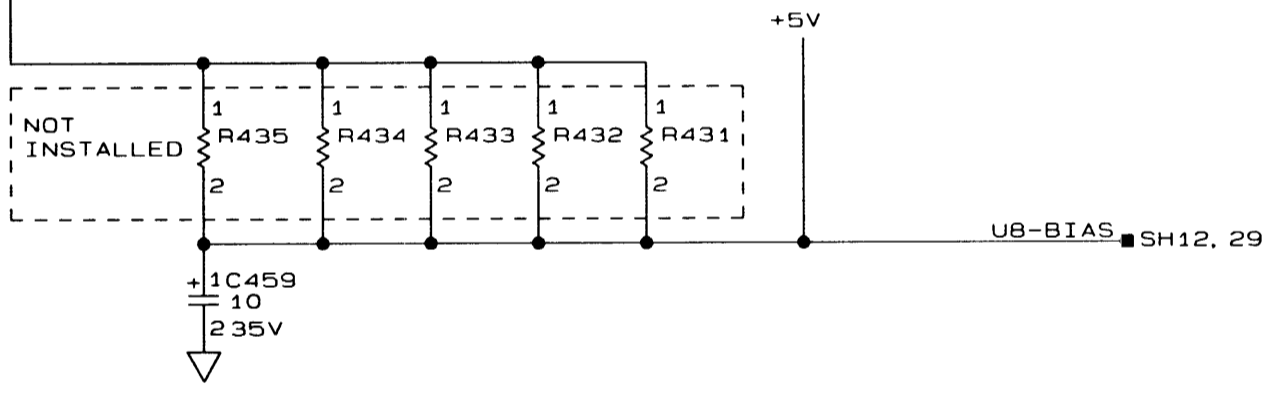
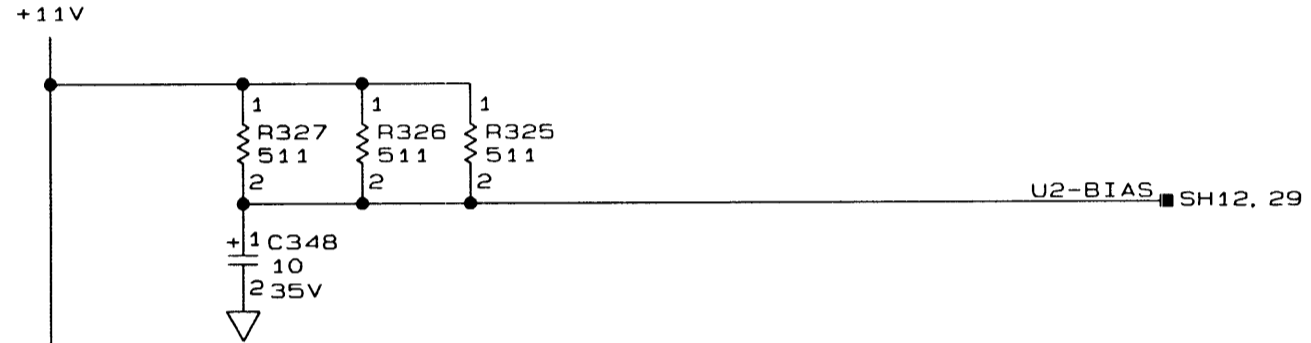
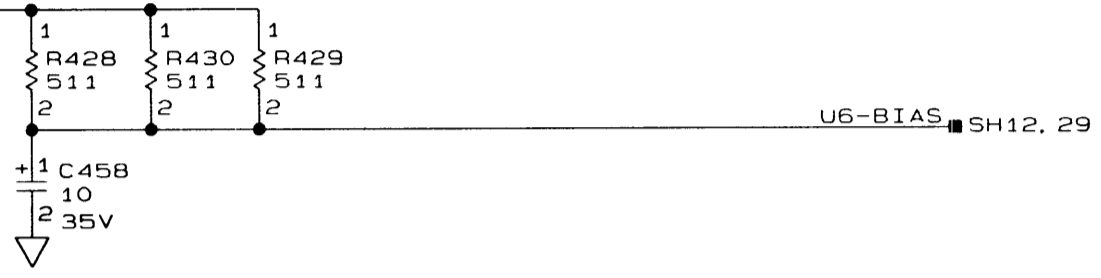
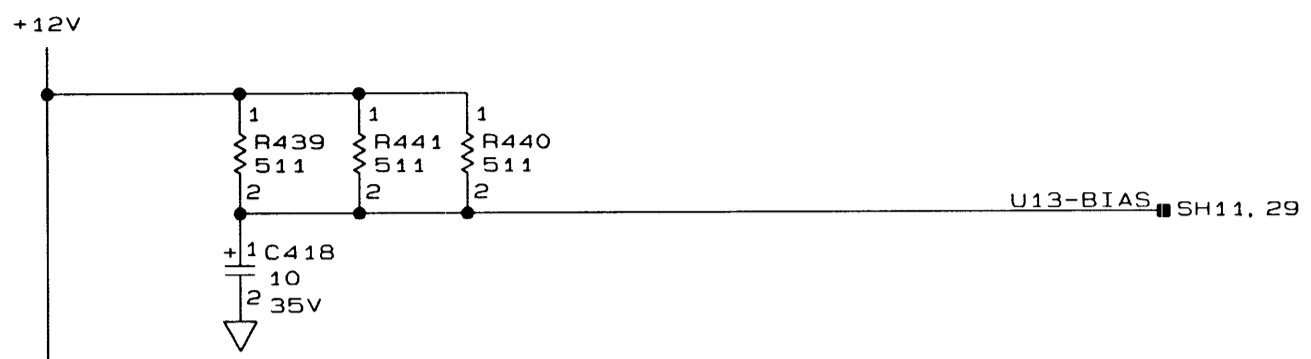


REVISIONS				
ZONE	REV	DESCRIPTION	DATE	APPROVED



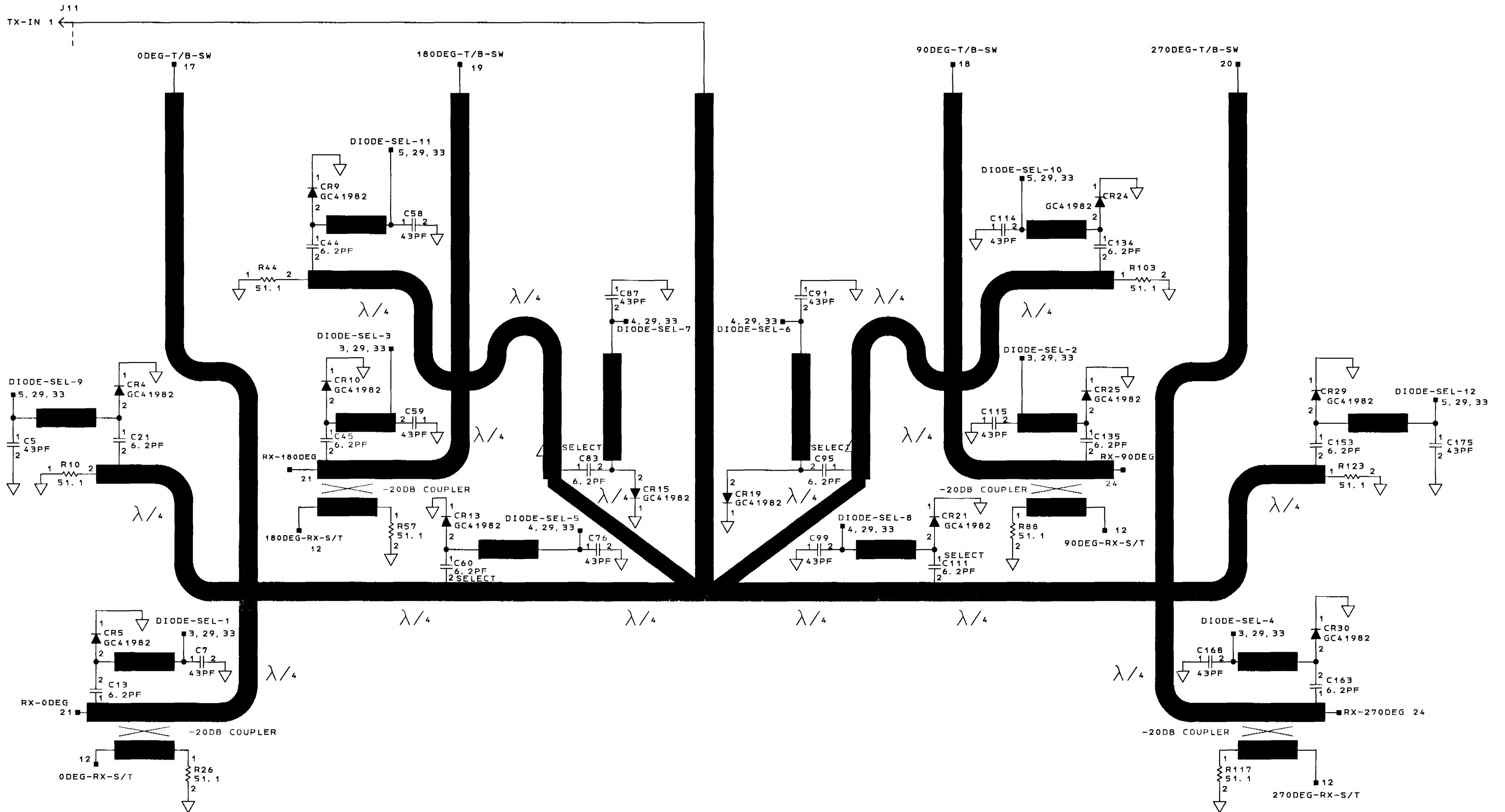
FR4 SIDE
BIAS \ TCXO REF
SCHEMATIC DIAGRAM SHEET NO. 14

COMPUTER GENERATED

Honeywell	SEE FIRST SHEET FOR CONTRACT NUMBER. USE OR DISCLOSURE OF INFORMATION ON THIS SHEET IS SUBJECT TO THE RESTRICTIONS ON THE FIRST SHEET OF THIS DOCUMENT.	SIZE	CAGE CODE	DRAWING NO.	REV
		E	55939	7517945-903	17
SCALE		SHEET		17	

7517945-903 17

REVISIONS				
ZONE	REV	DESCRIPTION	DATE	APPROVED
H		UDTD SCHEM: REF DES C60, C83, C95 AND C111 VALUE WAS 7.5PF.	22 MAY 01	H. SMITH H. BROWN
		SEE DWG SHEET 1.	25203 (M)	R. RICHARDS
K		ADD "SELECT" TO REF DES C60, C83, C95 AND C111.	25616 (M)	<i>[Signature]</i> J. OLSON
		SEE DWG SHEET 1		

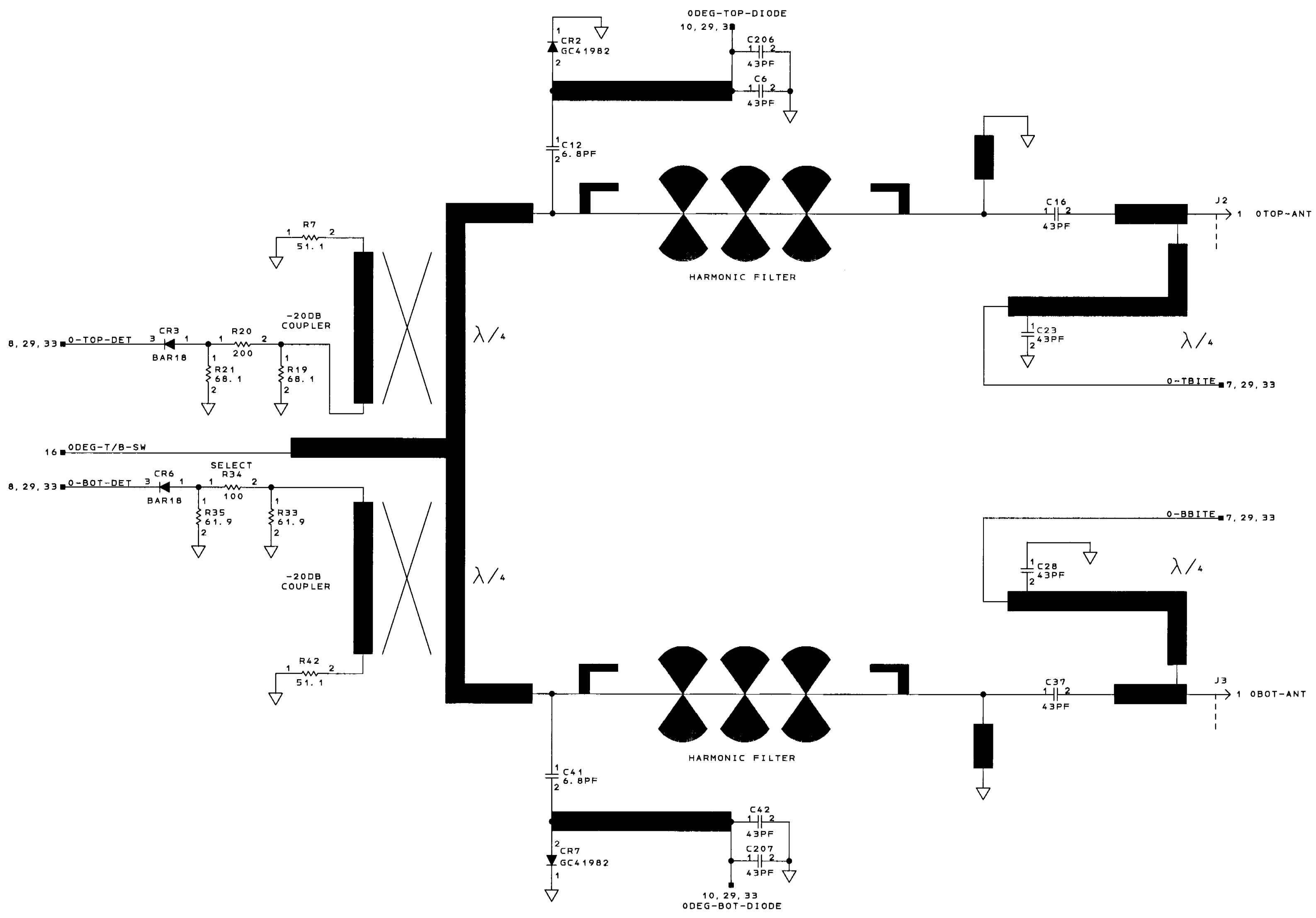


CHANNEL SELECTION SWITCH
SCHEMATIC DIAGRAM SHEET NO. 16

COMPUTER GENERATED

Honeywell	SEE FIRST SHEET FOR CONTRACT NUMBER. USE ON DISCLOSURE OF INFORMATION ON THIS SHEET IS SUBJECT TO THE RESTRICTIONS ON THE FIRST SHEET OF THIS DOCUMENT.	SIZE	CAGE CODE	DRAWING NO.	REV
		E	55939	7517945-903	K
SCALE				SHEET 19	

ZONE	REV	DESCRIPTION	DATE	APPROVED
E7	B	UDTD SCH: REF DES R33, R34 AND R35 VALUES WERE 68.1, 200 AND 68.1 RESPECTIVELY. SEE DWG SHEET 1	9 FEB 98	H. SMITH H. BROWN H. MOREAU
E7	G	UDTD SCH: REF DES R34 VALUE WAS 150. SEE DWG SHEET 1	20 MAR 01	H. SMITH H. BROWN R. RICHARDS
K		ADD "SELECT" TO REF DES R34. SEE DWG SHEET 1	08 Nov 02	<i>[Signature]</i> J. OLSON

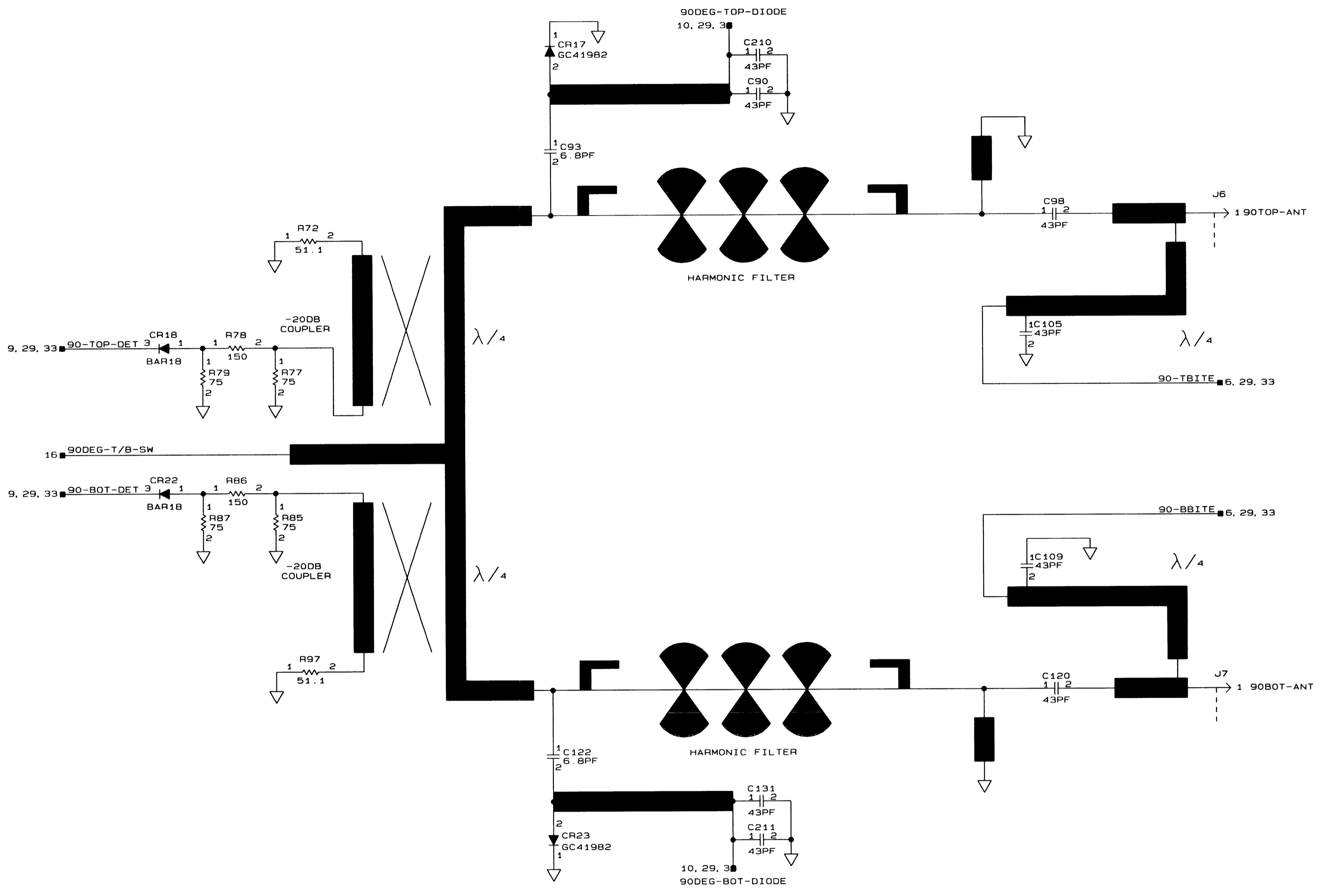


0 DEG TOP/BOTTOM SWITCH
SCHEMATIC DIAGRAM SHEET NO. 17

COMPUTER GENERATED

Honeywell	SEE FIRST SHEET FOR CONTRACT NUMBER, USE OR DISCLOSURE OF INFORMATION ON THIS SHEET IS SUBJECT TO THE RESTRICTIONS ON THE FIRST SHEET OF THIS DOCUMENT.	SIZE	CAGE CODE	DRAWING NO.	REV
	SCALE	E 55939	7517945-903	K	SHEET 20

REVISIONS				
ZONE	REV	DESCRIPTION	DATE	APPROVED
D7	B	UDTD SCH: REF DES R85 AND R87 VALUES WERE 69.1.	96238 (M)	<i>[Signature]</i>
		SEE DWG SHEET 1		M. MOREAU

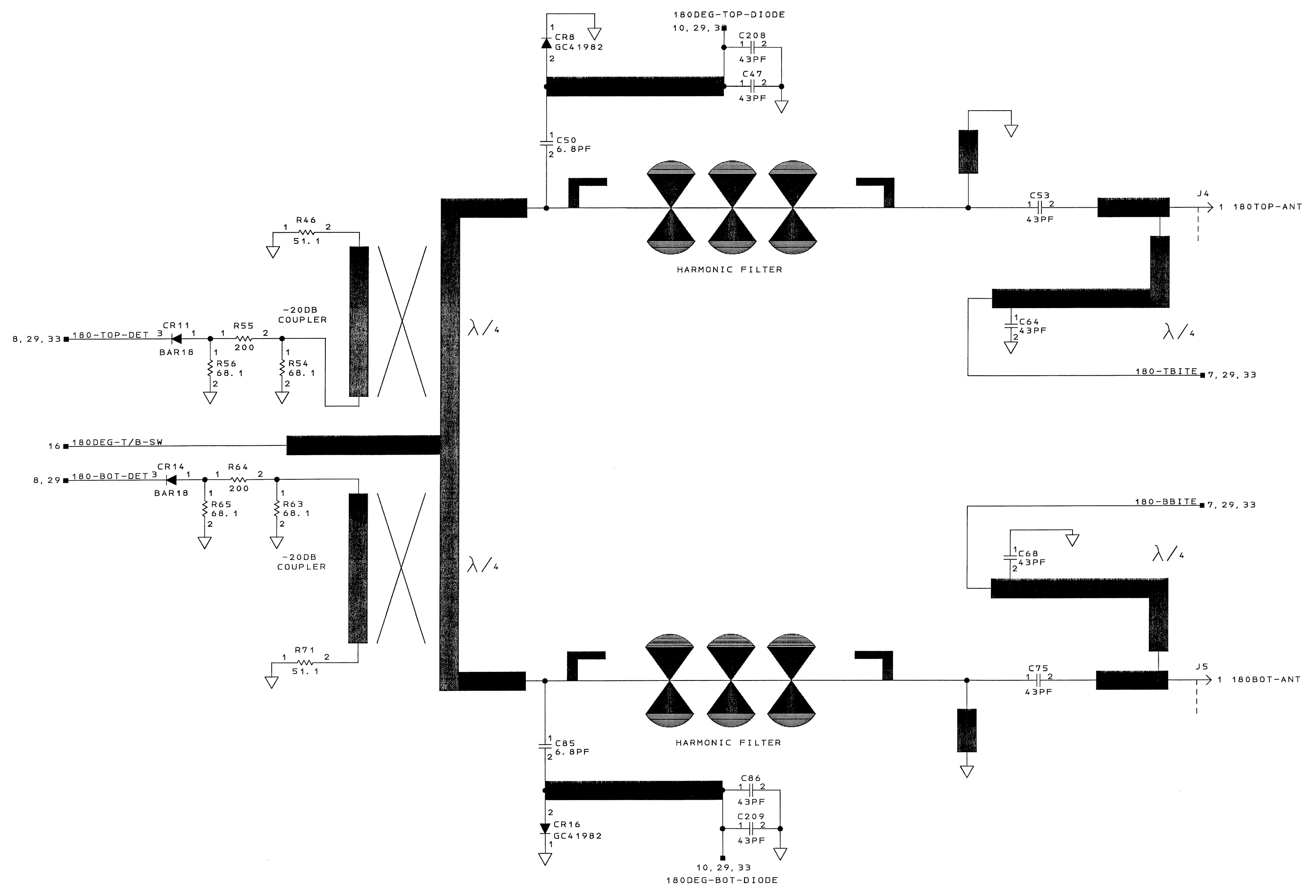


90 DEG TOP/BOTTOM SWITCH
SCHEMATIC DIAGRAM SHEET NO. 18

COMPUTER GENERATED

Honeywell	SEE FIRST SHEET FOR CONTRACT NUMBER. USE OR DISCLOSURE OF INFORMATION ON THIS SHEET IS SUBJECT TO THE RESTRICTIONS ON THE FIRST SHEET OF THIS DOCUMENT.	SIZE	E 55939	CAGE CODE	7517945-903	DRAWING NO.	B	REV	21
	SCALE		—		SHEET		21		

ZONE		REV	DESCRIPTION	DATE	APPROVED
H5	G		UDTD SCH; REF DES R63, R64, AND R65 VALUES WERE 61.9, 301, AND 61.9 RESP. 17079 (U) SEE DWG SHEET 1	20 Mar 01	<i>R. RICHARDS</i>

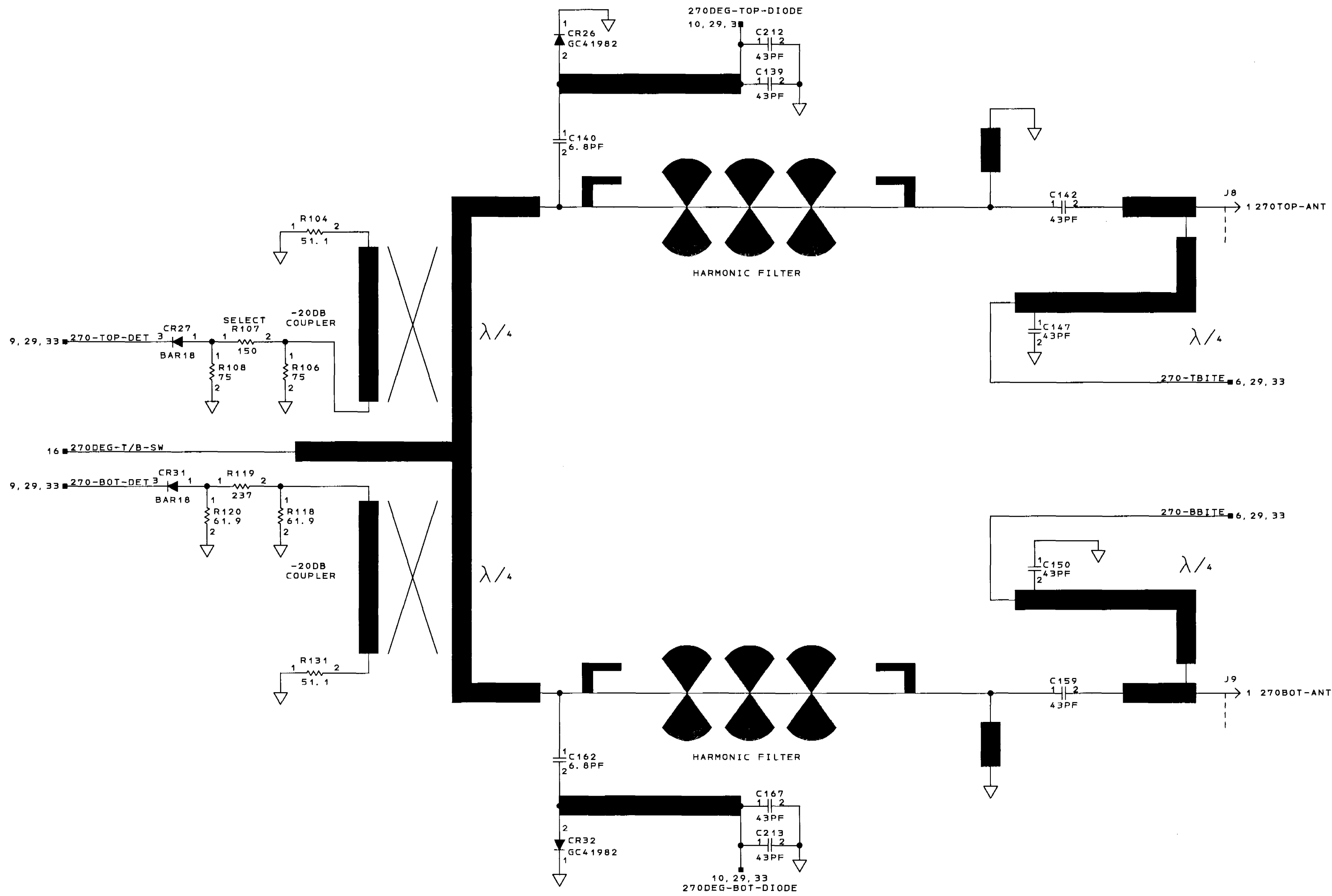


180 DEG TOP/BOTTOM SWITCH
SCHEMATIC DIAGRAM SHEET NO. 19

COMPUTER GENERATED

Honeywell	SEE FIRST SHEET FOR CONTRACT NUMBER. USE OR DISCLOSURE OF INFORMATION ON THIS SHEET IS SUBJECT TO THE RESTRICTIONS ON THE FIRST SHEET OF THIS DOCUMENT.	SIZE	E 55939	DRAWING NO.	7517945-903	REV	G
	SCALE					SHEET	22

ZONE	REV	DESCRIPTION	DATE	APPROVED
E7	B	UDTD SCH: REF DES R106, R107 AND R108 VALUES WERE 61.9, 301 AND 61.9 RESPECTIVELY. 96238 (M)	9 FEB 98	M. BROWN M. BROWN M. MOREAU
E7	G	UDTD SCH: REF DES R106, R107, AND R108 VALUES WERE 68.1, 200, AND 68.1 RESP. 17079 (U)	20 MAR 01	M. SMITH M. BROWN R. RICHARDS
K		ADD "SELECT" TO REF DES R107. 25616 (M)	08 MAR 01	J. OLSON

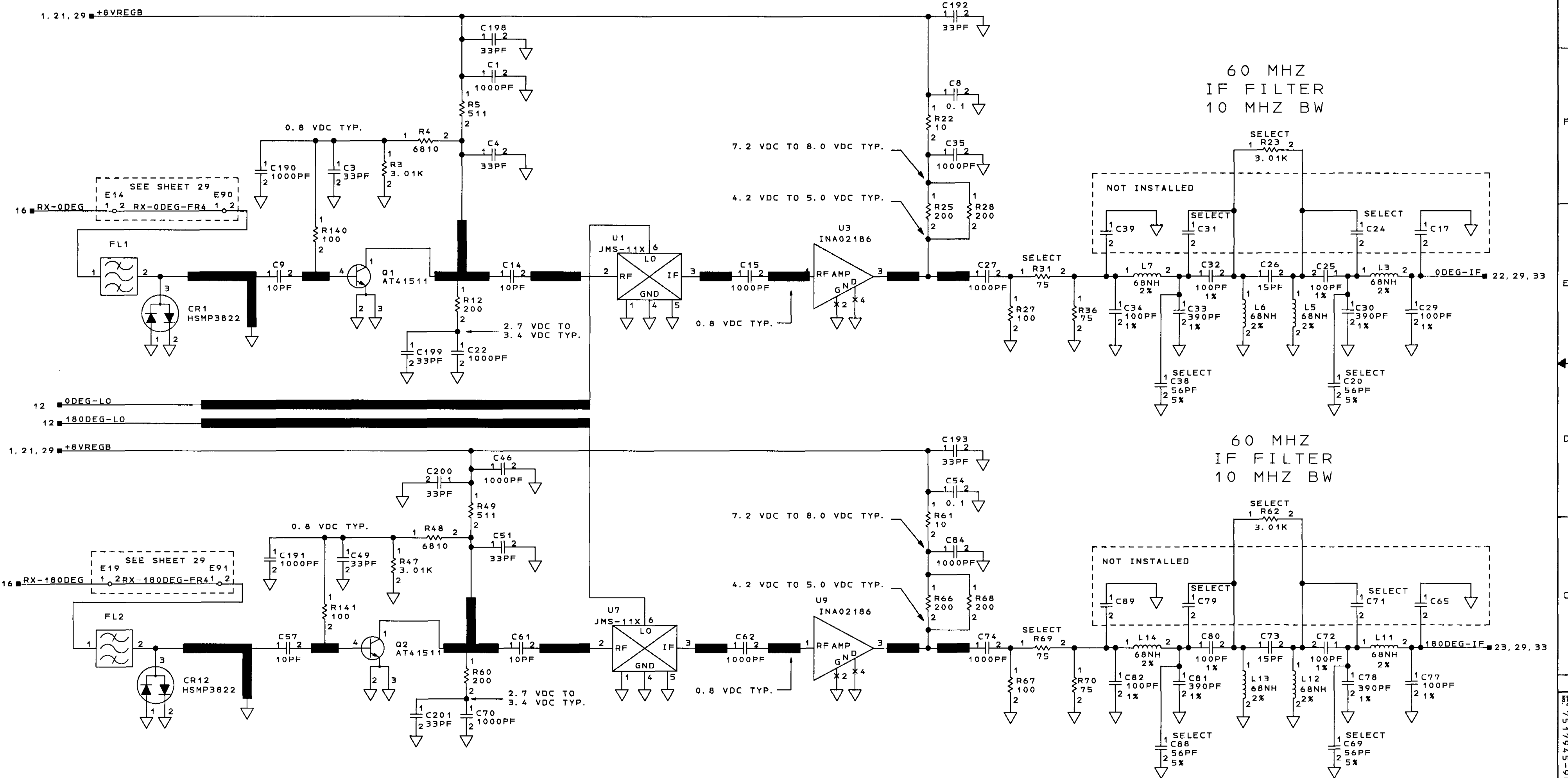


270 DEG TOP/BOTTOM SWITCH
SCHEMATIC DIAGRAM SHEET NO. 20

COMPUTER GENERATED

Honeywell	SEE FIRST SHEET FOR CONTRACT NUMBER. USE OR DISCLOSURE OF INFORMATION ON THIS SHEET IS SUBJECT TO THE RESTRICTIONS ON THE FIRST SHEET OF THIS DOCUMENT.	SIZE E	CODE 55939	DRAWING NO. 7517945-903	REV K
				SCALE	SHEET 23

REVISIONS				
ZONE	REV	DESCRIPTION	DATE	APPROVED
E2	D	UDTD SCH. REF DES R23 AND R62 WERE NOT INSTALLED.	04 AUG 98	M. BROWN
		78157 (U)		R. RICHARDS M. MOREAU
	E	SEE DWG SHEET 1 PARTS LIST DATA BASE CHANGE ONLY.	14 OCT 98	M. SMITH M. BROWN
		96255 (U)		M. MOREAU
	K	ADD "SELECT" TO REF DES C20, C24, C31, C38, C69, C71, C79, C88, R23, R31, R62 AND R69.	25616 (M)	<i>OP</i> <i>now</i> <i>OL</i> J. OLSON
		SEE DWG SHEET 1		



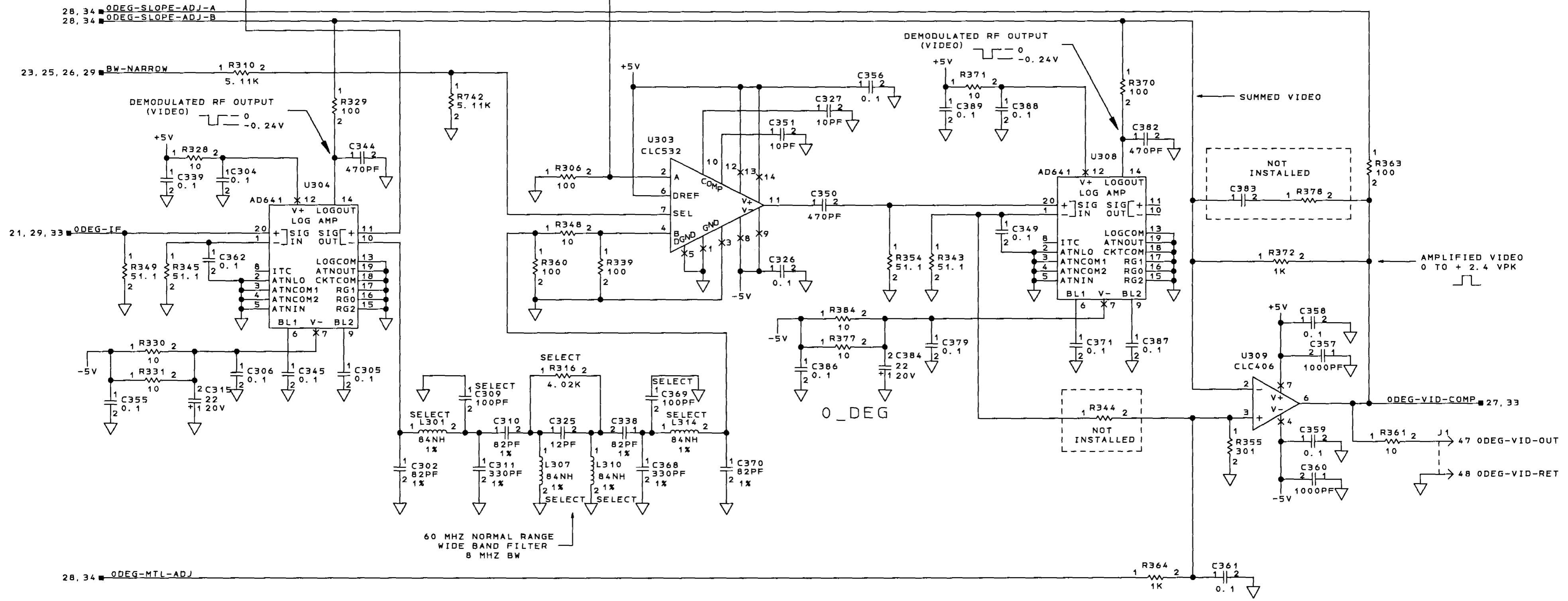
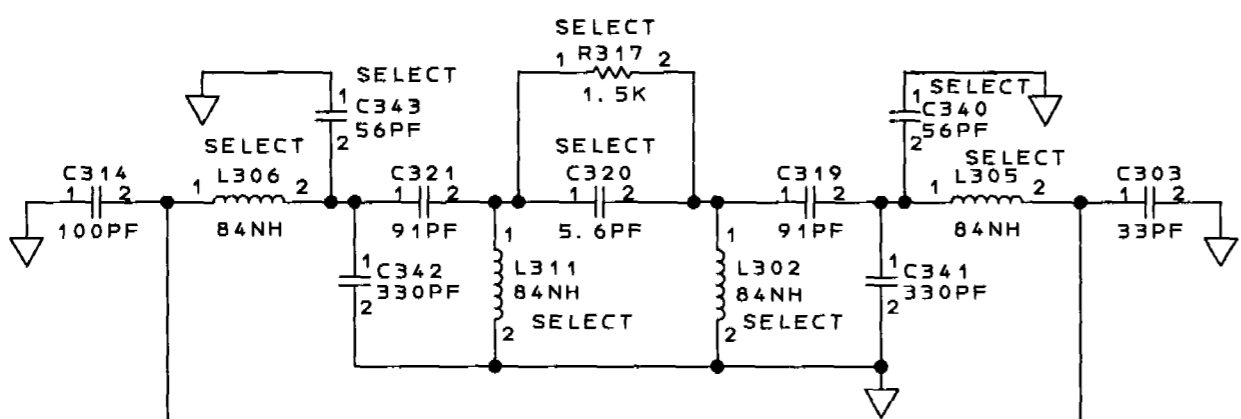
0/180 DOWNCONVERTER-LNA
SCHEMATIC DIAGRAM SHEET NO. 21
COMPUTER GENERATED

Honeywell	SEE FIRST SHEET FOR CONTRACT NUMBER. USE OR DISCLOSURE OF INFORMATION ON THIS SHEET IS SUBJECT TO THE RESTRICTIONS ON THE FIRST SHEET OF THIS DOCUMENT.	SIZE CAGE CODE E 55939	DRAWING NO. 7517945-903	REV K
		SCALE	SHEET 24	

DRAWING NO. 7517945-903 24

REVISIONS				
ZONE	REV	DESCRIPTION	DATE	APPROVED
E7	B	UDTD SCH: REF DES R310 VALUE WAS 100. REF DES R742 WAS C312. REF DES C309 AND C369 WERE NOT INSTALLED.	09 FEB 98	M. SMITH
E6	B	SEE DWG SHEET 1		M. BROWN
C6	B	96238 (M)		M. MOREAU
G6	D	UDTD SCH: REF DES C340, C343, R316 AND R317 WERE NOT INSTALLED.	04 AUG 98	H. BROWN
G7	D	78157 (U)		R. RICHARDS
G7	F	UDTD SCH: REF DES L301, L302, L305, L306, L307, L310, L311 AND L314 VALUE WAS 82NH. REF DES L301, L307, L310 AND L314 TOLERANCE WAS 2%.	05 JAN 99	L. KEEPER
F6	F	101810 (U)		R. RICHARDS
G5	F	SEE DWG SHEET 1		M. MOREAU
C6	C	ADD "SELECT" TO REF DES C309, C320, C340, C343, C369, L301, L302, L305, L306, L307, L310, L311, L314, R316 AND R317.	05 JAN 99	M. MOREAU
C5	C	25616 (M)		J. OLSON
C5	C	SEE DWG SHEET 1		

60 MHZ EXTENDED RANGE
NARROW BAND FILTER
4 MHZ BW



0 IF FILTERS/LOGAMPS
SCHEMATIC DIAGRAM SHEET NO. 22

COMPUTER GENERATED

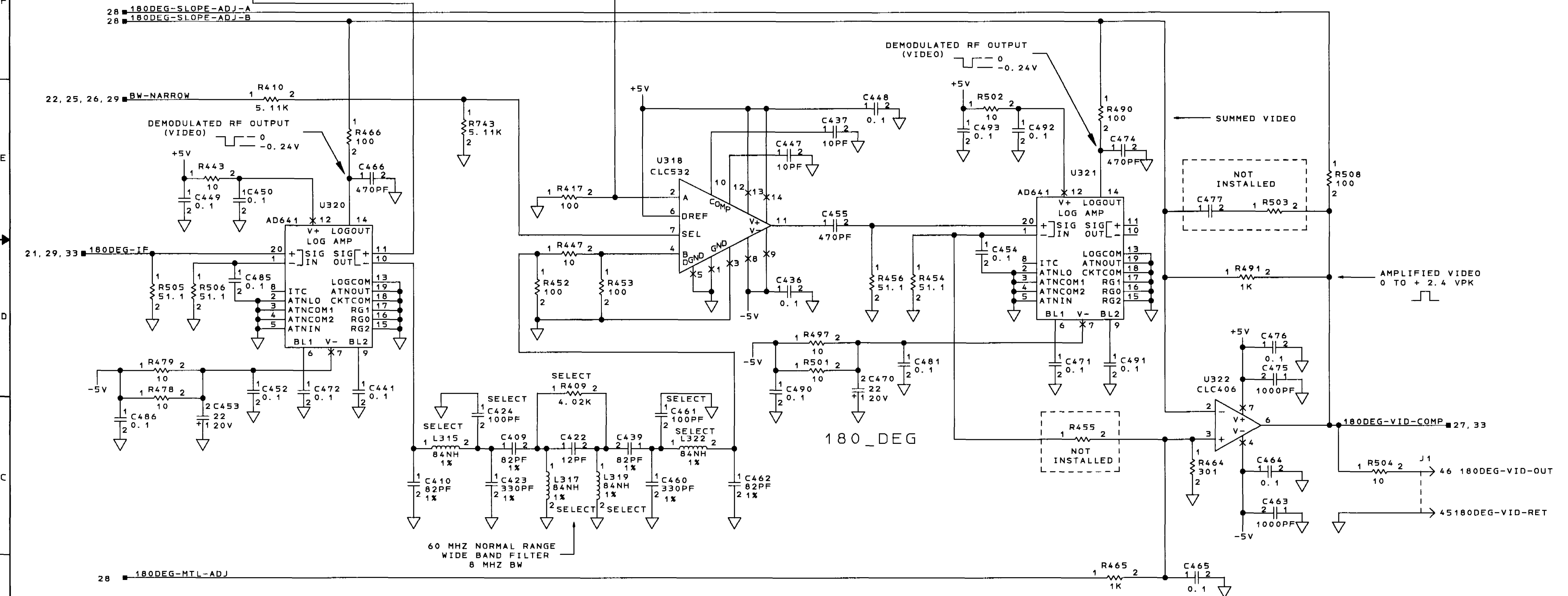
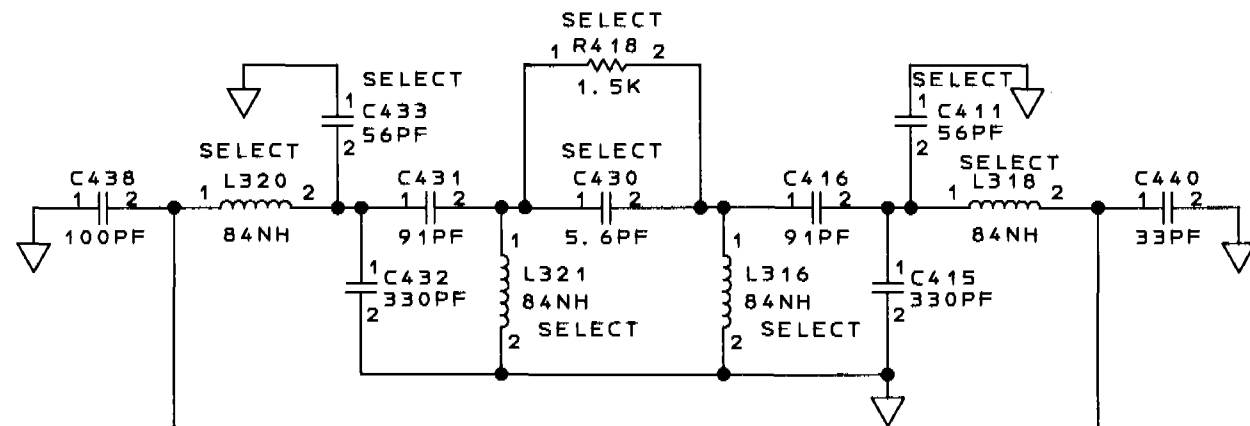
Honeywell	SEE FIRST SHEET FOR CONTRACT NUMBER. USE OR DISCLOSURE OF INFORMATION ON THIS SHEET IS SUBJECT TO THE RESTRICTIONS ON THE FIRST SHEET OF THIS DOCUMENT.	SIZE	CAGE CODE	DRAWING NO.	REV
		E	55939	7517945-903	K
SCALE				SHEET 25	

REV 7517945-903 25

DATE/TIME

ZONE	REV	DESCRIPTION	DATE	APPROVED
E7	B	UDTD SCH: REF DES R410 VALUE WAS 100. REF DES R743 WAS C425. REF DES C424 AND C461 WERE NOT INSTALLED.	09 FEB 98	M. SMITH
G6	D	UDTD SCH: REF DES C411, C433, R409 AND R418 WERE NOT INSTALLED.	04 AUG 98	H. BROWN
G7	F	UDTD SCH: REF DES L315, L316, L317, L318, L319, L320, L321 AND L322 VALUE WAS 82NH. REF DES L315, L317, L319 AND L322 TOLERANCE WAS 2%.	05 JAN 99	L. KEEFER
E7	K	ADD "SELECT" TO REF DES C411, C424, C430, C433, C461, L315, L316, L317, L318, L319, L320, L321, L322, R409 AND R418.	25616 (M)	J. OLSON

60 MHZ EXTENDED RANGE
NARROW BAND FILTER
4 MHZ BW

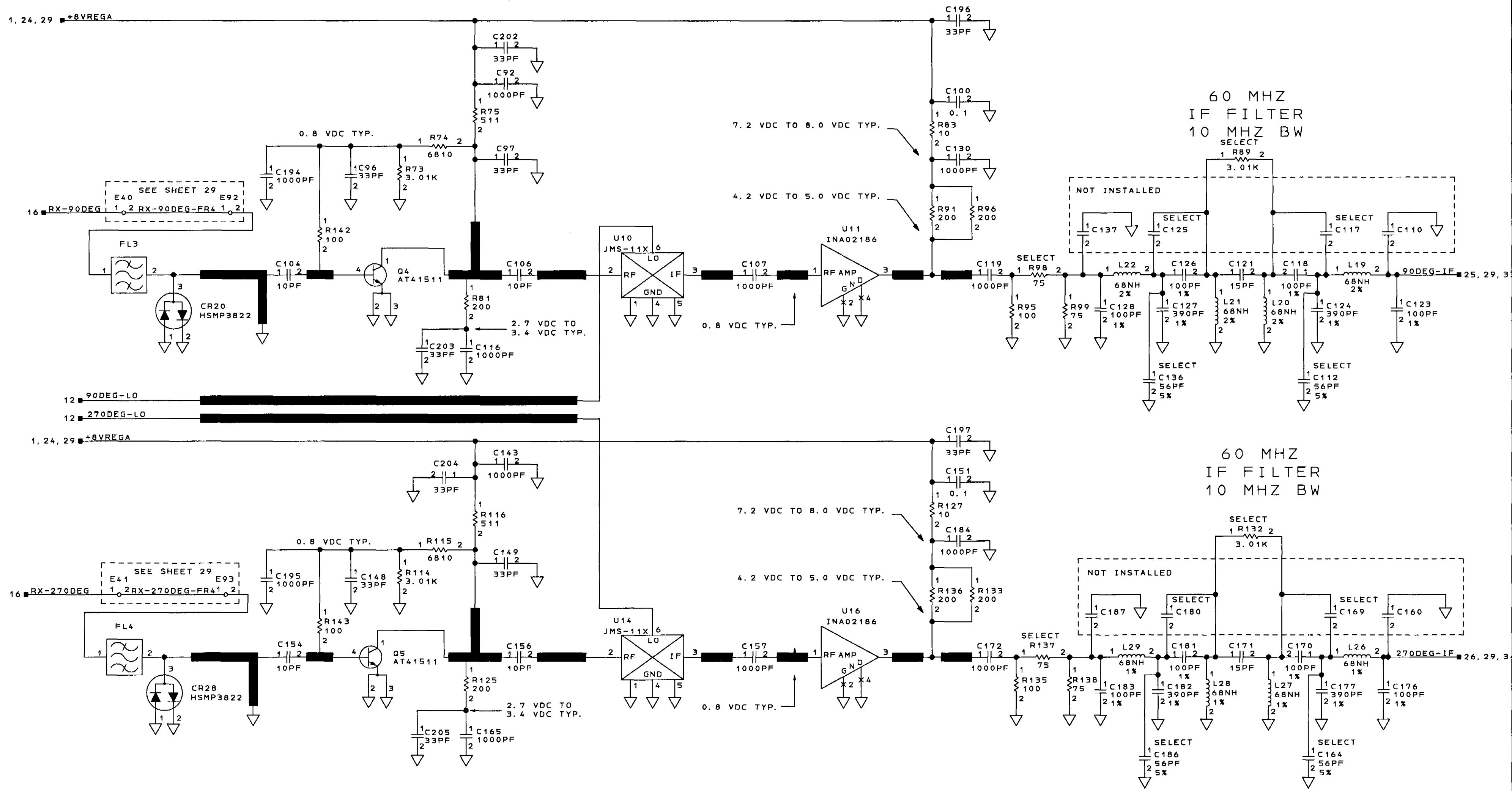


180 IF FILTERS/LOGAMPS
SCHEMATIC DIAGRAM SHEET NO. 23

COMPUTER GENERATED

Honeywell	SEE FIRST SHEET FOR CONTRACT NUMBER, USE OR DISCLOSURE OF INFORMATION ON THIS SHEET IS SUBJECT TO THE RESTRICTIONS ON THE FIRST SHEET OF THIS DOCUMENT.	SIZE	CAGE CODE	DRAWING NO.	REV
	SCALE	E 55939	7517945-903	K	26

REVISIONS				
ZONE	REV	DESCRIPTION	DATE	APPROVED
F2	D	UDTD SCH: REF DES R89 AND R132 WERE NOT INSTALLED. 78157 (U)	04 AUG 98	M. BROWN
		SEE DWG SHEET 1		R. RICHARDS M. MOREAU
E		PARTS LIST DATA BASE CHANGE ONLY. 96255 (U)	14 OCT 98	M. SMITH
		SEE DWG SHEET 1		M. MOREAU
K		ADD "SELECT" TO REF DES C112, C117, C125, C136, C164, C169, C180, C186, R89, R98, R132 AND R137. 25616 (M)	08 NOV 98	J. OLSON
		SEE DWG SHEET 1		

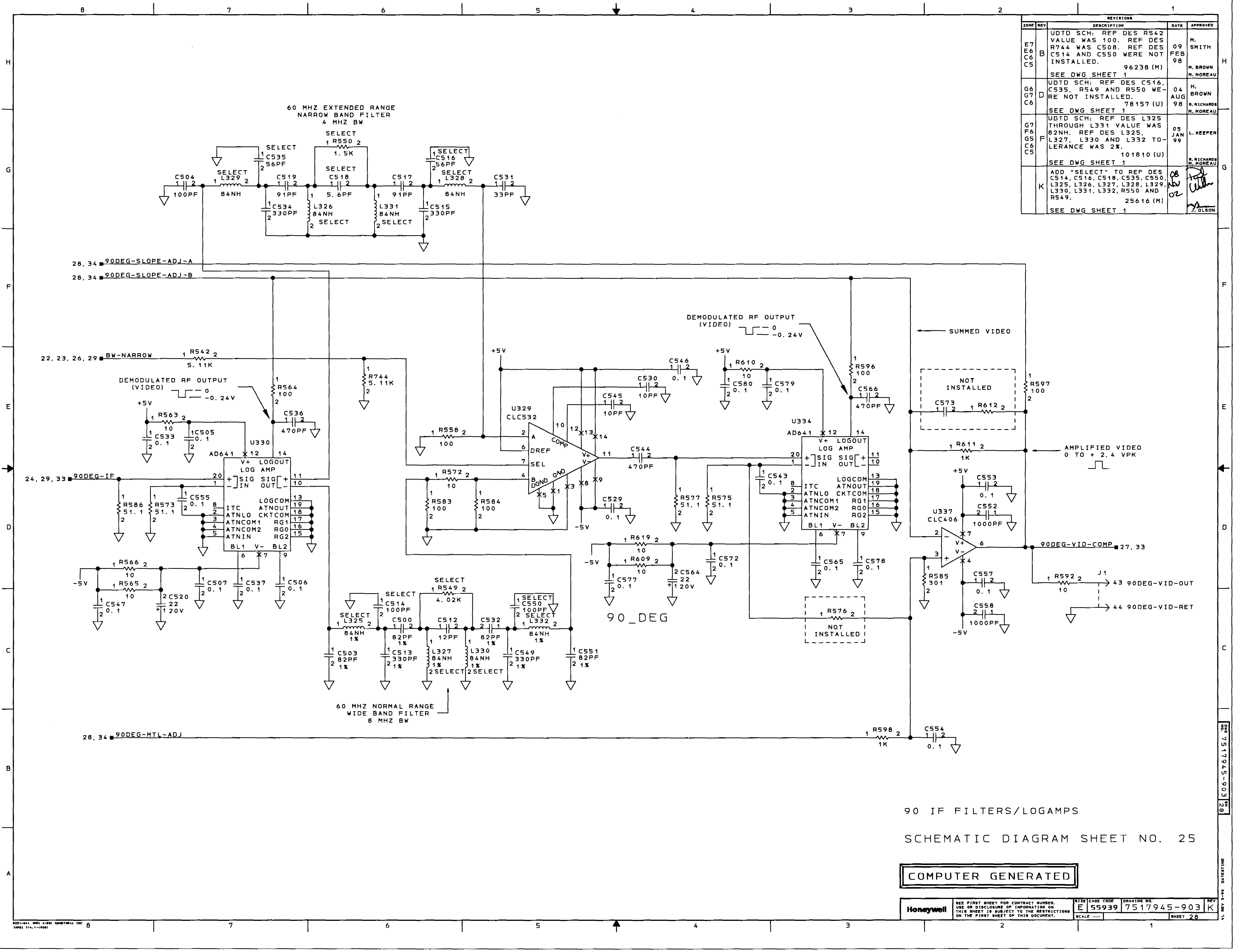


90/270 DOWNCONVERTER-LNA
SCHEMATIC DIAGRAM SHEET NO. 24

COMPUTER GENERATED

Honeywell	SEE FIRST SHEET FOR CONTRACT NUMBER. USE OR DISCLOSURE OF INFORMATION ON THIS SHEET IS SUBJECT TO THE RESTRICTIONS ON THE FIRST SHEET OF THIS DOCUMENT.	SIZE CASE CODE E 55939	DRAWING NO. 7517945-903	REV K
	SCALE	SHEET 27		

REVISIONS				
ZONE	REV	DESCRIPTION	DATE	APPROVED
E7	E6	UDTD SCH: REF DES R542 VALUE WAS 100. REF DES R744 WAS C508. REF DES C514 AND C550 WERE NOT INSTALLED.	09 FEB 98	M. SMITH
C6	C5	96238 (M)		H. BROWN M. MOREAU
G6	G7	UDTD SCH: REF DES C516, C535, R549 AND R550 WERE NOT INSTALLED.	04 AUG 98	H. BROWN R. RICHARDS M. MOREAU
C6	C5	78157 (U)		
G7	F6	UDTD SCH: REF DES L325 THROUGH L331 VALUE WAS 82NH. REF DES L325, L327, L330 AND L332 TOLERANCE WAS 2%.	05 JAN 99	L. KEEPER
C6	C5	101810 (U)		R. RICHARDS M. MOREAU
K		ADD "SELECT" TO REF DES C514, C516, C518, C535, C550, L325, L326, L327, L328, L329, L330, L331, L332, R550 AND R549.	08 NOV 02	<i>[Signature]</i> J. OLSON
		25616 (M)		
		SEE DWG SHEET 1		

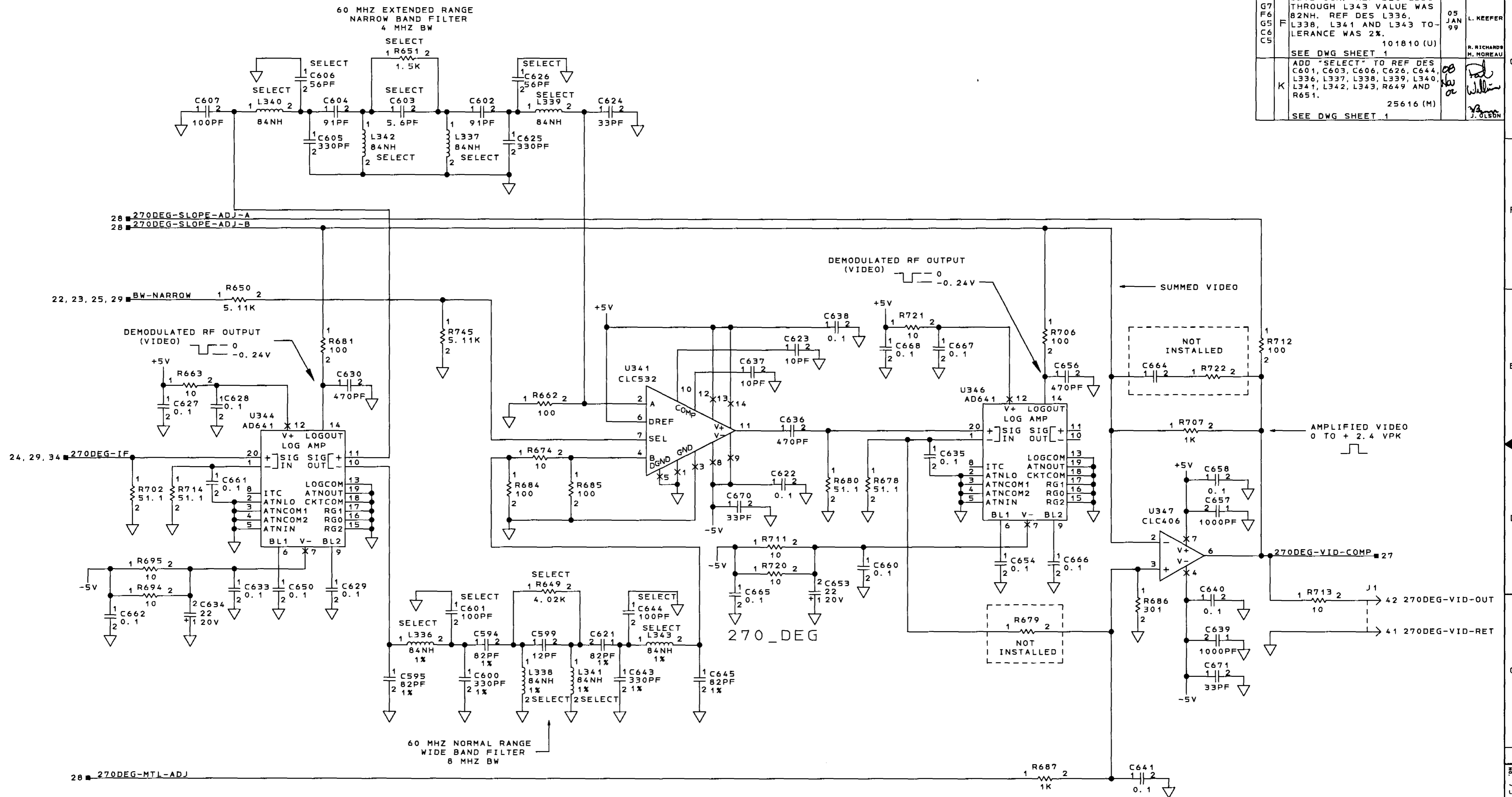


90 IF FILTERS/LOGAMPS
SCHEMATIC DIAGRAM SHEET NO. 25

COMPUTER GENERATED

Honeywell	SEE FIRST SHEET FOR CONTRACT NUMBER. USE OR DISCLOSURE OF INFORMATION ON THIS SHEET IS SUBJECT TO THE RESTRICTIONS ON THE FIRST SHEET OF THIS DOCUMENT.	SCALE	CAGE CODE E 55939	DRAWING NO. 7517945-903	REV K
-----------	---	-------	----------------------	----------------------------	----------

ZONE	REV	DESCRIPTION	DATE	APPROVED
E7	B	UDTD SCH: REF DES R650 VALUE WAS 100. REF DES R745 WAS C597. REF DES C601 AND C644 WERE NOT INSTALLED.	09 FEB 98	M. SMITH
G6	D	UDTD SCH: REF DES C606, C626, R649 AND R651 WERE NOT INSTALLED.	04 AUG 98	H. BROWN
G7	F	UDTD SCH: REF DES L336 THROUGH L343 VALUE WAS 82NH. REF DES L336, L338, L341 AND L343 TOLERANCE WAS 2%.	05 JAN 99	L. KEEPER
K	K	ADD "SELECT" TO REF DES C601, C603, C606, C626, C644, L336, L337, L338, L339, L340, L341, L342, L343, R649 AND R651.	25616 (M)	J. OLSON

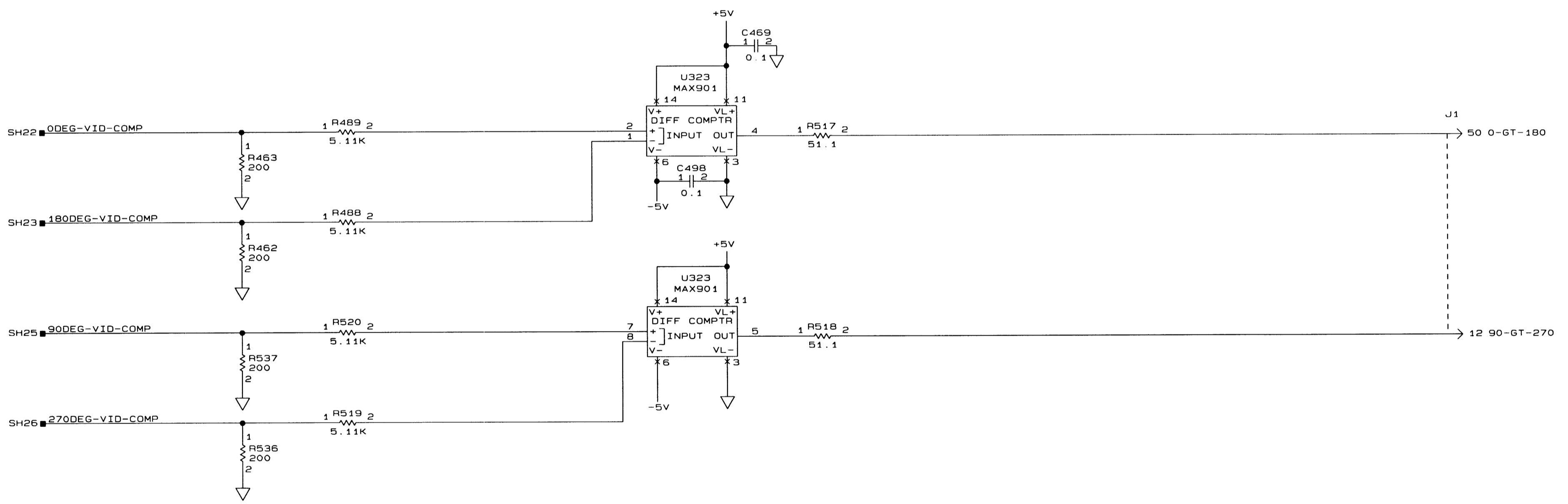


270 IF FILTERS/LOGAMPS
SCHEMATIC DIAGRAM SHEET NO. 26

COMPUTER GENERATED

Honeywell	SEE FIRST SHEET FOR CONTRACT NUMBER. USE OR DISCLOSURE OF INFORMATION ON THIS SHEET IS SUBJECT TO THE RESTRICTIONS ON THE FIRST SHEET OF THIS DOCUMENT.	SIZE: CARD CODE E 55939	DRAWING NO. 7517945-903	REV. K
-----------	---	----------------------------	----------------------------	-----------

REVISIONS				
ZONE	REV	DESCRIPTION	DATE	APPROVED



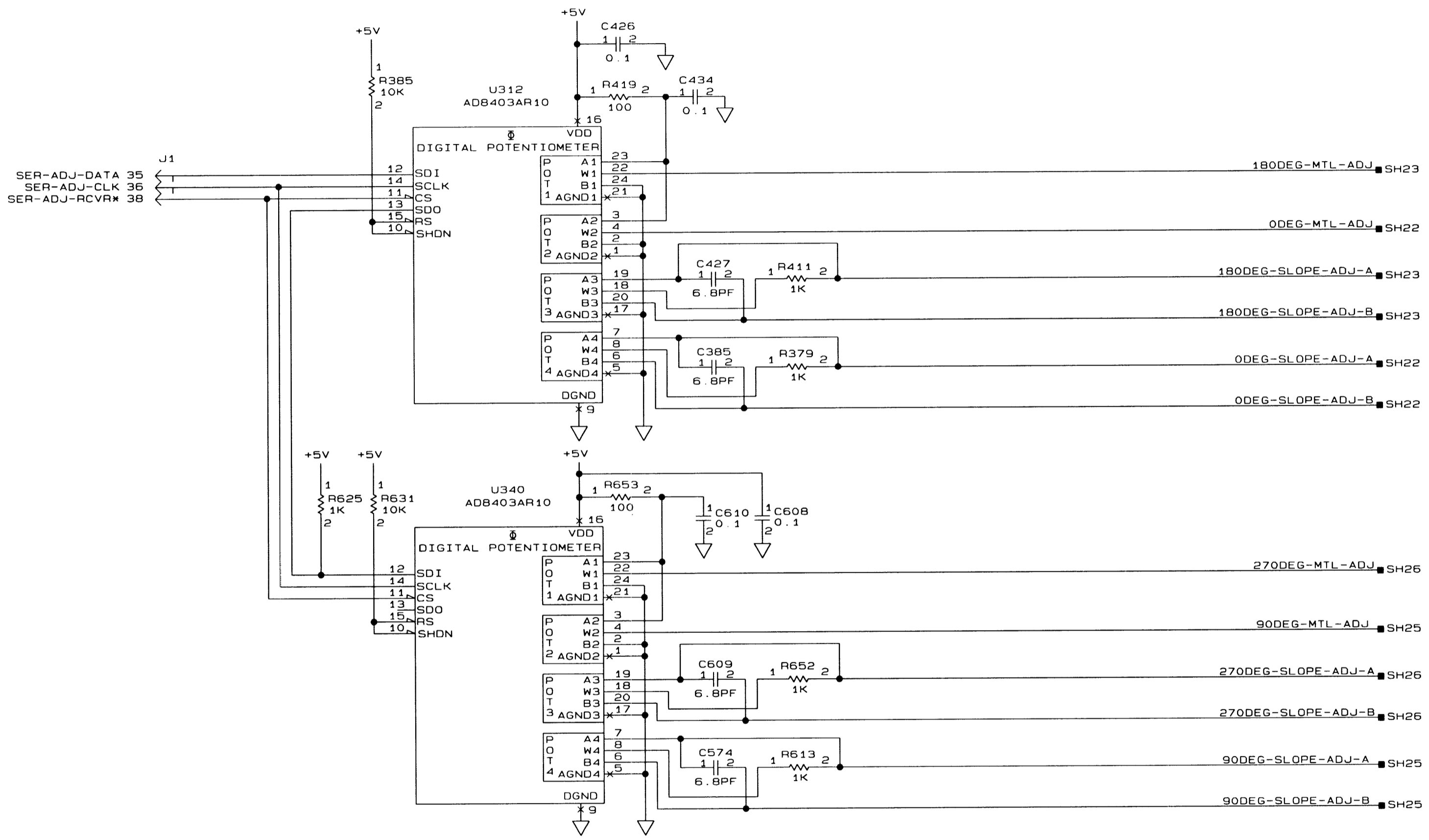
RX CHANNEL COMPARISON
SCHEMATIC DIAGRAM SHEET NO. 27

COMPUTER GENERATED

Honeywell	SEE FIRST SHEET FOR CONTRACT NUMBER. USE OR DISCLOSURE OF INFORMATION ON THIS SHEET IS SUBJECT TO THE RESTRICTIONS ON THE FIRST SHEET OF THIS DOCUMENT.	SIZE	CAGE CODE	DRAWING NO.	REV
	SCALE	E 55939	7517945-903	30	1

7517945-903 30 1

REVISIONS				
ZONE	REV	DESCRIPTION	DATE	APPROVED

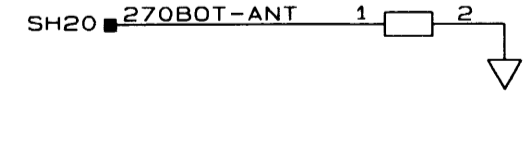
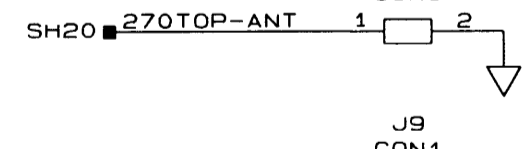
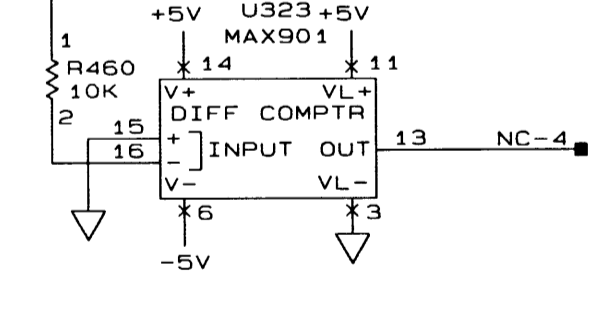
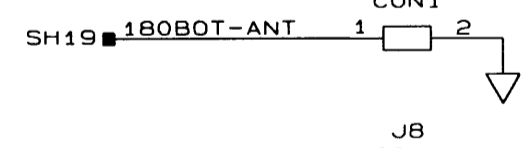
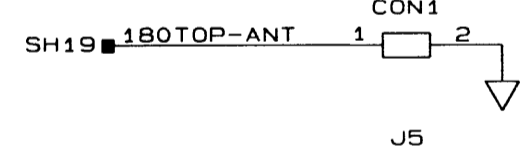
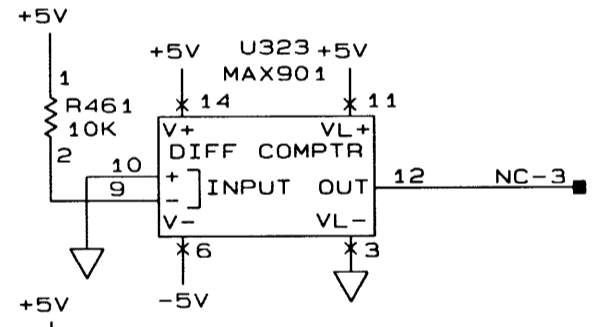
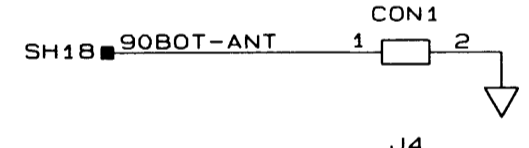
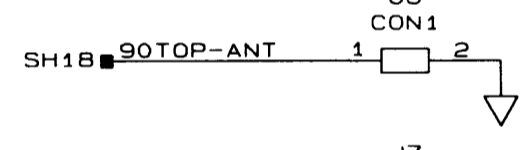
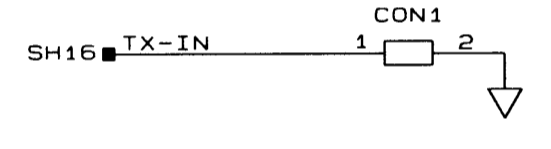
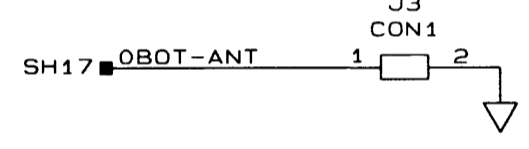
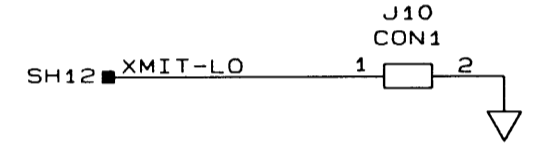
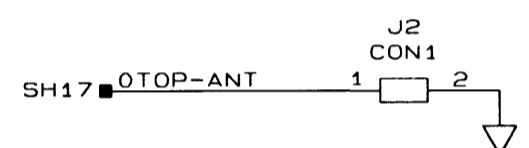
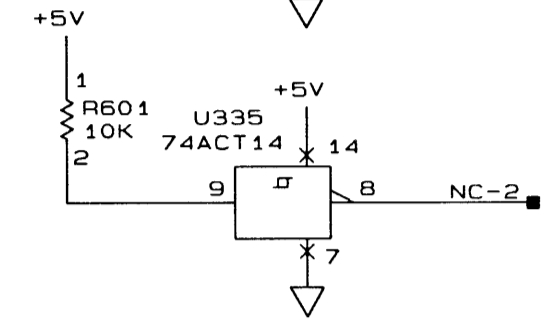
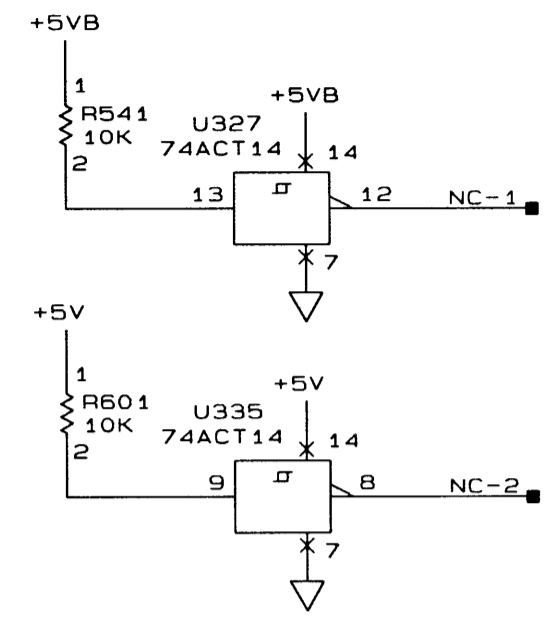
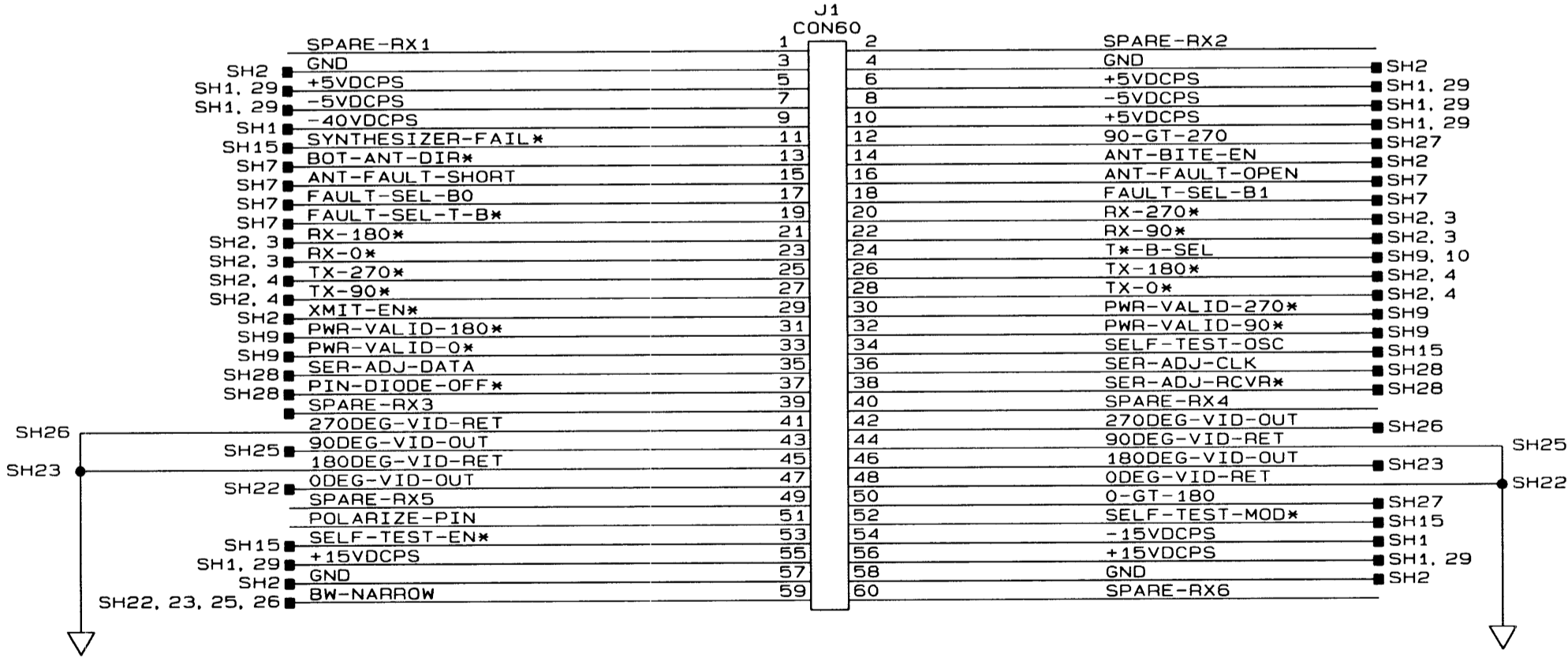
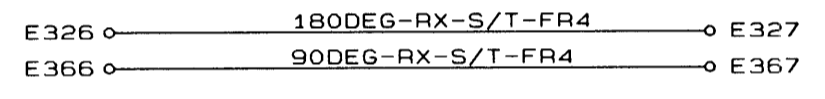
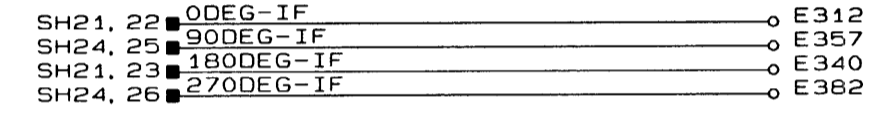
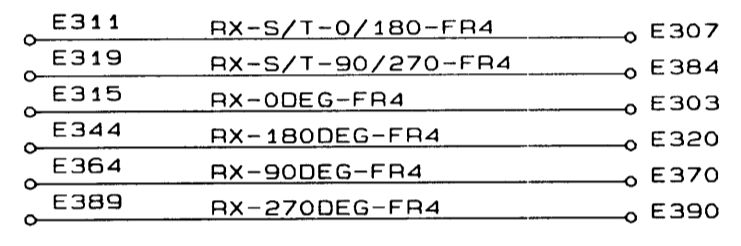
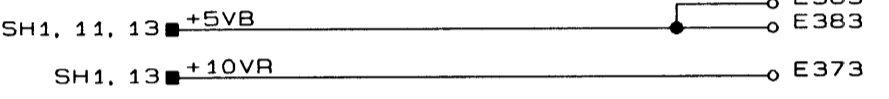
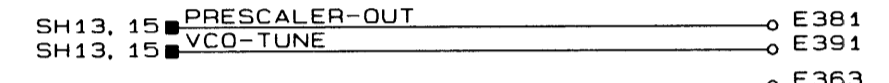
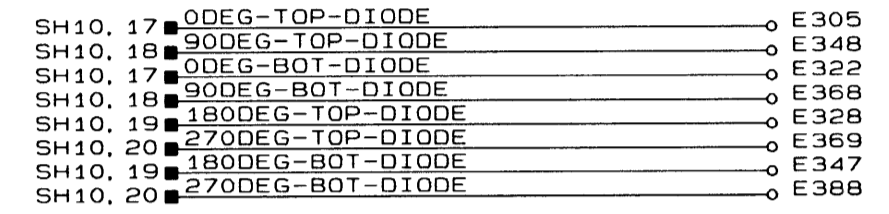
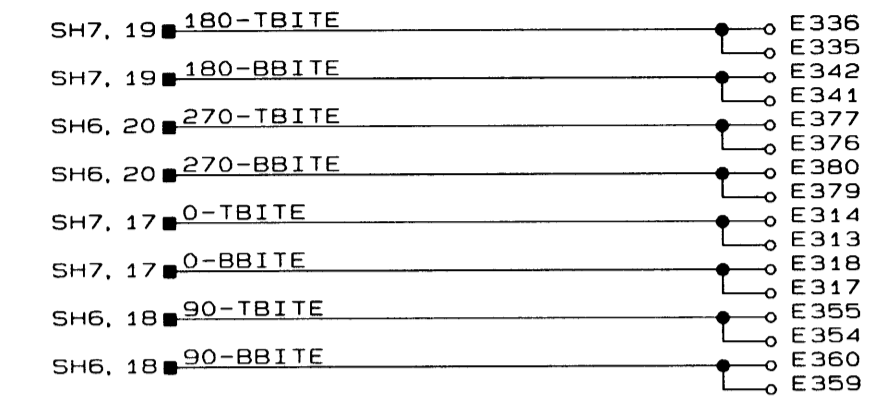
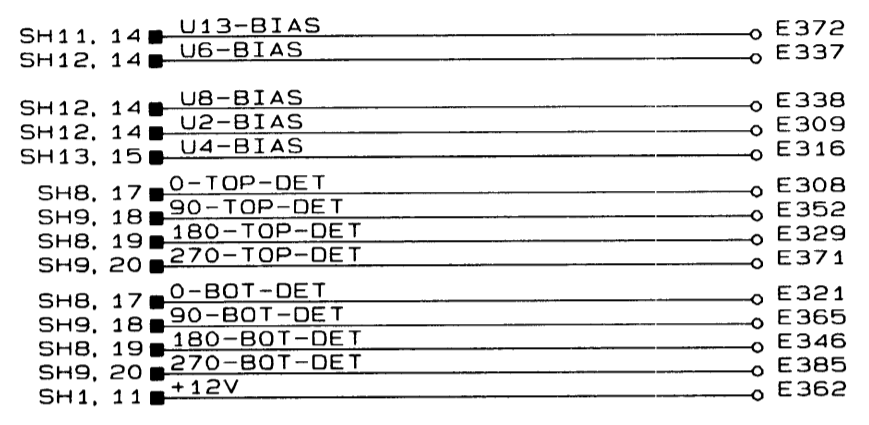
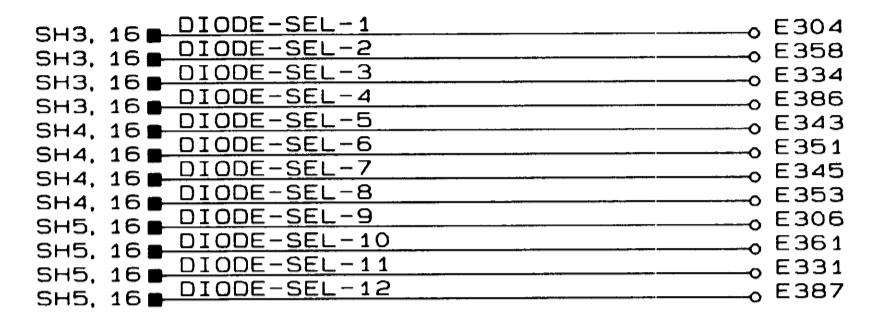
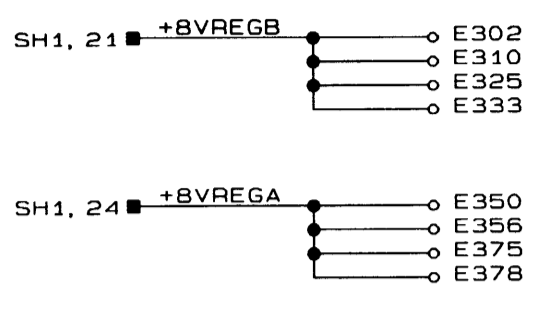


MTL & SLOPE ADJUST
SCHEMATIC DIAGRAM SHEET NO. 28

COMPUTER GENERATED

Honeywell	SEE FIRST SHEET FOR CONTRACT NUMBER. USE OR DISCLOSURE OF INFORMATION ON THIS SHEET IS SUBJECT TO THE RESTRICTIONS ON THE FIRST SHEET OF THIS DOCUMENT.	SIZE	CAGE CODE	DRAWING NO.	REV
		E	55939	7517945-903	31
SCALE		SHEET		31	

7517945-903 31



CONNECTOR PIN SUMMARY
AND SPARE COMPONENTS.
CAD/REQUIREMENT/REFERENCE.
SCHEMATIC DIAGRAM SHEET NO. 29

COMPUTER GENERATED