

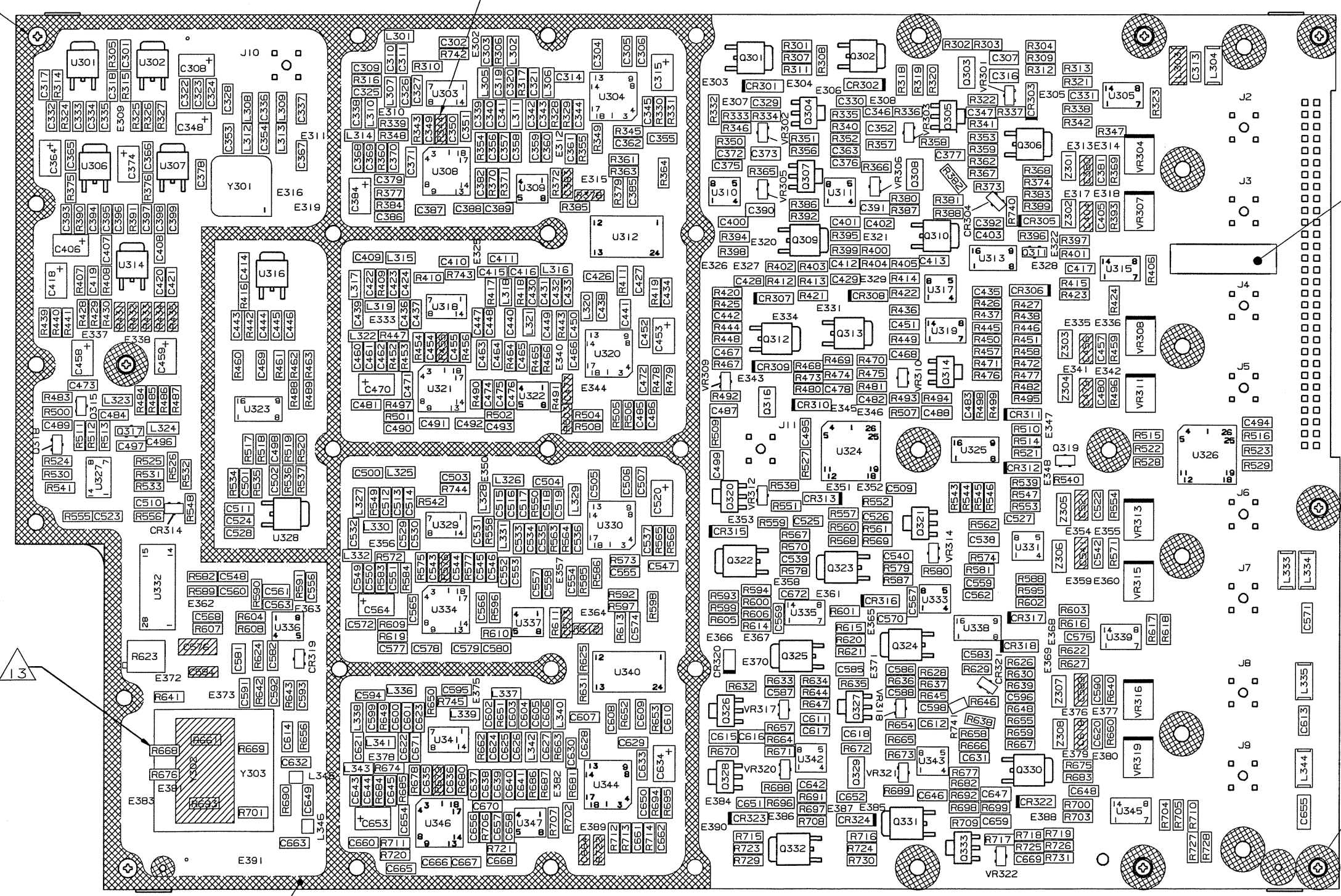




REVISIONS				
ZONE	REV	DESCRIPTION	DATE	APPROVED
	A	UTD VIEW: C672 WAS C670. SEE SHEET I.	96236(M) 17NOV97	M. SMITH M. BROWN R. RICHARDS
	B	UTD VIEW: RMY SHADING ON C309, C369, C424, C451, C514, C550, C601, AND C644. R742 WAS C312, R743 WAS C425, R744 WAS C508, AND R745 WAS C597. SEE SHEET I.	96238(M) 09FEB98	M. SMITH M. BROWN C. FLORENCE
	D	UTD VIEW: C340, C343, C411, C433, C516, C525, C606, C626, R316, R317, R403, R41B, R549, R550, R649 AND R651 WERE INSTALLED. SEE SHEET I.	78157(U) 04AUG98	H. BROWN R. RICHARDS L. WHISLER
	G	UTD VIEW. ADD NOTE 20 CALLOUT. SEE SHEET I.	17079(U) 20 MAY 98	M. SMITH M. BROWN J. OLSON

BX 4 20

9



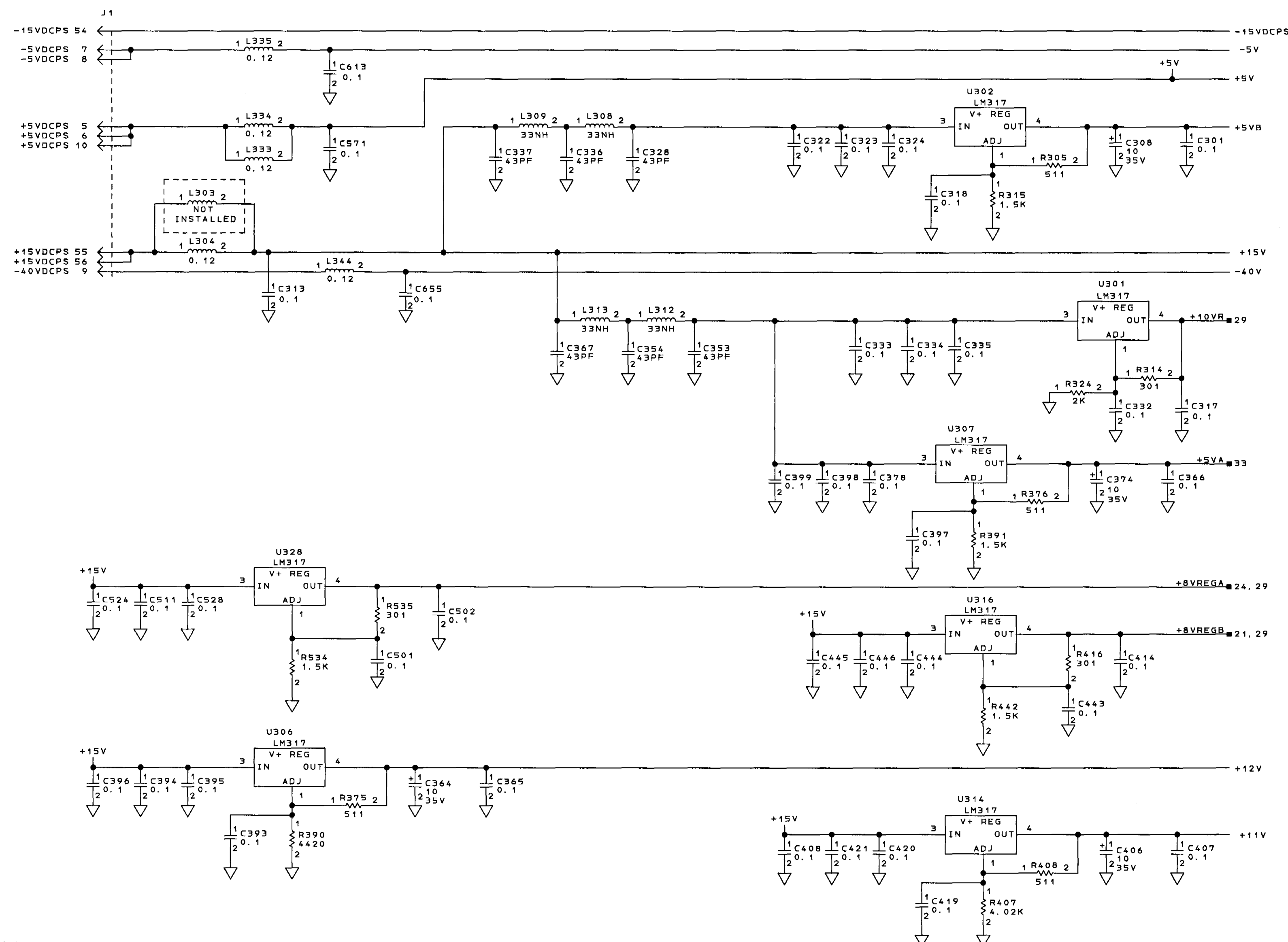
IDENTIFICATION LABEL  
SIDE A

15 18X .375 DIA

VIEWING SIDE A

Honeywell	SEE FIRST SHEET FOR CONTRACT NUMBER. USE OR DISCLOSURE OF INFORMATION ON THIS SHEET IS SUBJECT TO THE RESTRICTIONS ON THE FIRST SHEET OF THIS DOCUMENT.	SIZE/CAGE CODE E 55939	DRAWING NO. 7517945-903	REV G
	SCALE 2/1		SHEET 3	

ZONE		REV		DESCRIPTION		DATE	APPROVED
K				NOTES: ADD NOTE 6. SEE DWG SHEET 1		25616 (M)	<i>[Signature]</i> J. OLSON



- NOTES:  
UNLESS OTHERWISE SPECIFIED:
1. ALL CAPACITANCE VALUES ARE IN MICROFARADS.
  2. ALL RESISTANCE VALUES ARE IN OHMS.
  3. ALL INDUCTANCE VALUES ARE IN MICROHENRIES.
  4. PARTIAL REFERENCE DESIGNATIONS ARE SHOWN; FOR COMPLETE DESIGNATIONS PREFIX PART DESIGNATION WITH SUBASSEMBLY DESIGNATION.
  5. INTERPRET DRAWING PER ANSI Y32.2-1975 AND ANSI/IEEE STD 991-1986. LOGIC SYMBOLS CONFORM TO ANSI/IEEE STD 91-1984.
  6. FOR REFERENCE ONLY, COMPONENTS WHICH MAY BE TEST SELECT DURING ALIGNMENT ARE MARKED WITH THE WORD "SELECT".

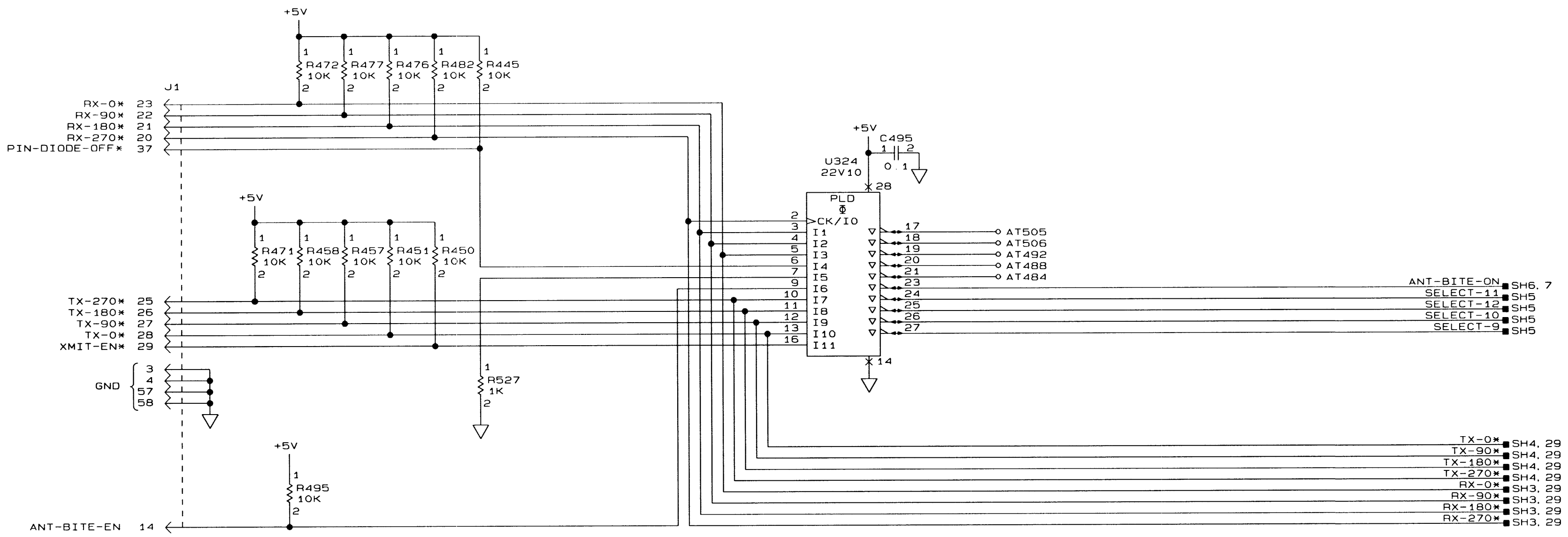
INPUTS

SCHEMATIC DIAGRAM SHEET NO. 1 OF 29

COMPUTER GENERATED

Honeywell	SEE FIRST SHEET FOR CONTRACT NUMBER, USE OR DISCLOSURE OF INFORMATION ON THIS SHEET IS SUBJECT TO THE RESTRICTIONS ON THE FIRST SHEET OF THIS DOCUMENT.	SIZE CASE CODE E 55939	DRAWING NO. 7517945-903	REV K
	SCALE		SHEET 4	

REVISIONS				
ZONE	REV	DESCRIPTION	DATE	APPROVED



INPUTS  
SCHEMATIC DIAGRAM SHEET NO. 2

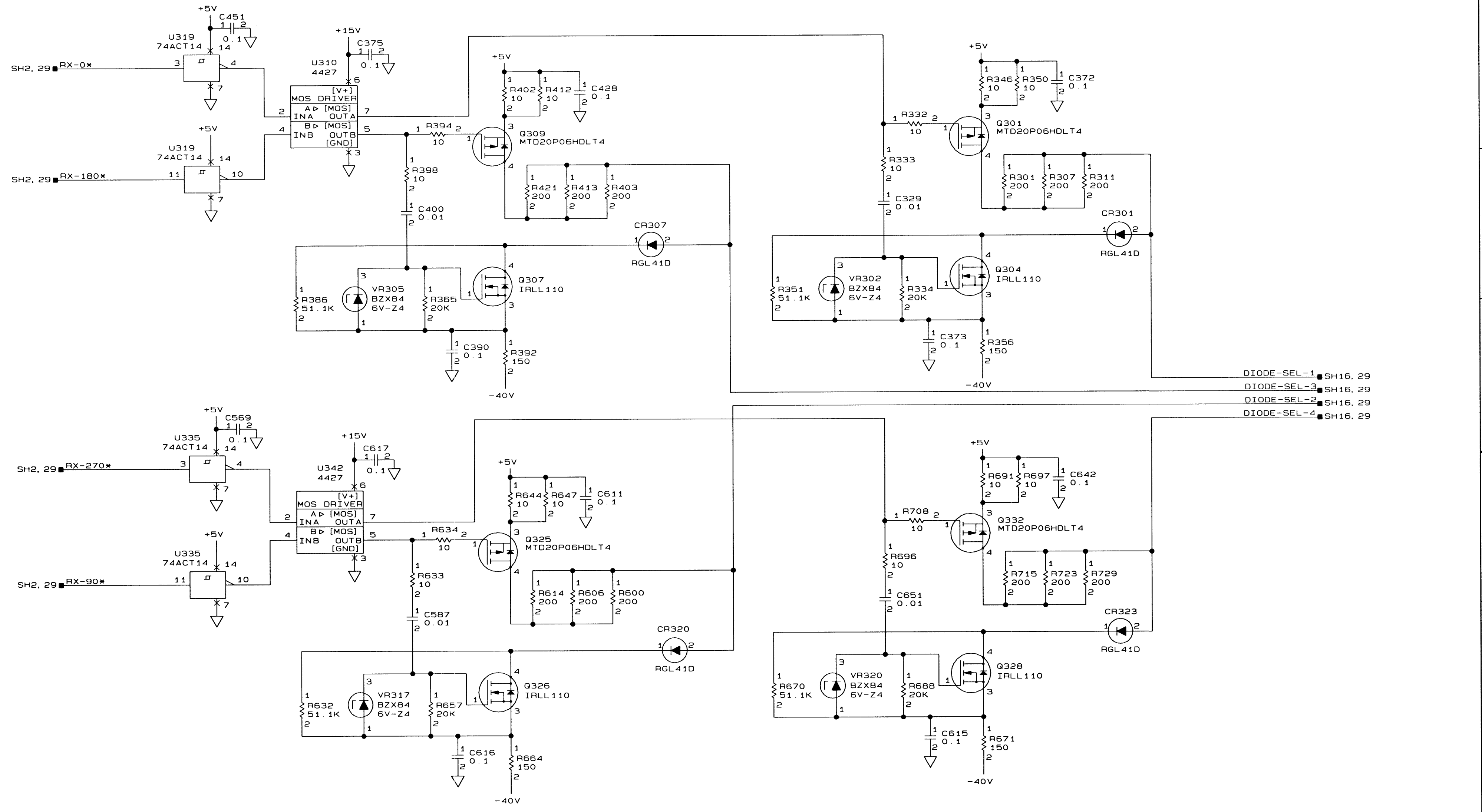
COMPUTER GENERATED

Honeywell	SEE FIRST SHEET FOR CONTRACT NUMBER USE OR DISCLOSURE OF INFORMATION ON THIS SHEET IS SUBJECT TO THE RESTRICTIONS ON THE FIRST SHEET OF THIS DOCUMENT.	SIZE E	CAGE CODE 55939	DRAWING NO. 7517945-903	REV 5
	SCALE			SHEET 5	

7517945-903 5



REVISIONS				
ZONE	REV	DESCRIPTION	DATE	APPROVED



DIODE-SEL-1 SH16, 29  
 DIODE-SEL-3 SH16, 29  
 DIODE-SEL-2 SH16, 29  
 DIODE-SEL-4 SH16, 29

I/O DRIVER  
 SCHEMATIC DIAGRAM SHEET NO. 3

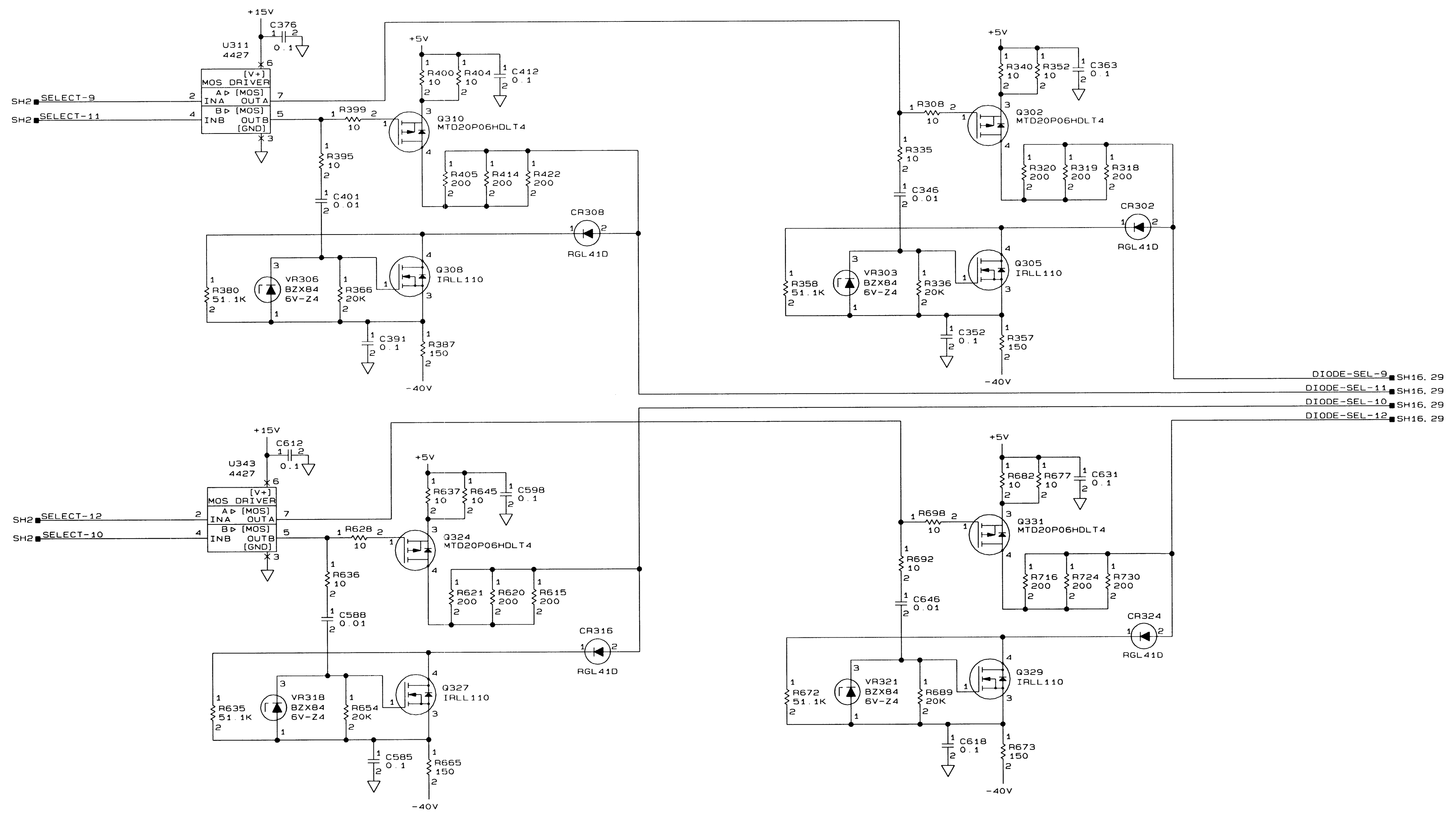
COMPUTER GENERATED

Honeywell	SEE FIRST SHEET FOR CONTRACT NUMBER. USE OR DISCLOSURE OF INFORMATION ON THIS SHEET IS SUBJECT TO THE RESTRICTIONS ON THE FIRST SHEET OF THIS DOCUMENT.	SIZE CASE CODE	DRAWING NO.	REV
		E 55939	7517945-903	1
		SCALE	SHEET 6	

7517945-903 SHEET 6



REVISIONS				
ZONE	REV	DESCRIPTION	DATE	APPROVED



DIODE-SEL-9 SH16.29  
 DIODE-SEL-11 SH16.29  
 DIODE-SEL-10 SH16.29  
 DIODE-SEL-12 SH16.29

I/O DRIVER  
 SCHEMATIC DIAGRAM SHEET NO. 5

COMPUTER GENERATED

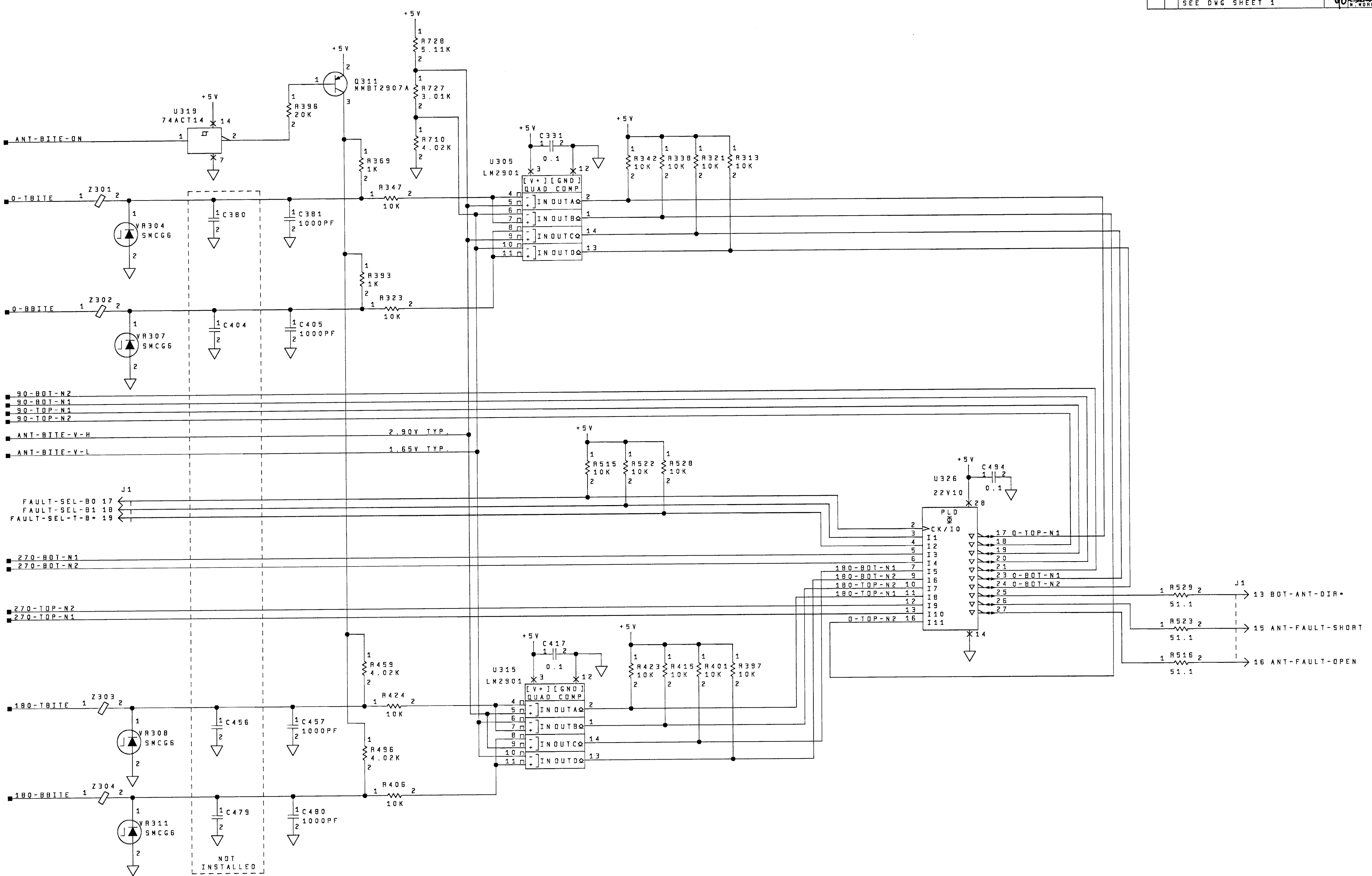
Honeywell	SEE FIRST SHEET FOR CONTRACT NUMBER USE OR DISCLOSURE OF INFORMATION ON THIS SHEET IS SUBJECT TO THE RESTRICTIONS ON THE FIRST SHEET OF THIS DOCUMENT.	SIZE CADE CODE E 55939	DRAWING NO. 7517945-903	REV -
-----------	---	---------------------------	----------------------------	----------

7517945-903  
 REV 11 8 1981  
 00-4-81





REV		DESCRIPTION	DATE	APPROVED
D		PARTS LIST DATA BASE CHANGE ONLY.	78157(U)	<i>[Signature]</i>
		SEE DWG SHEET 1		<i>[Signature]</i>



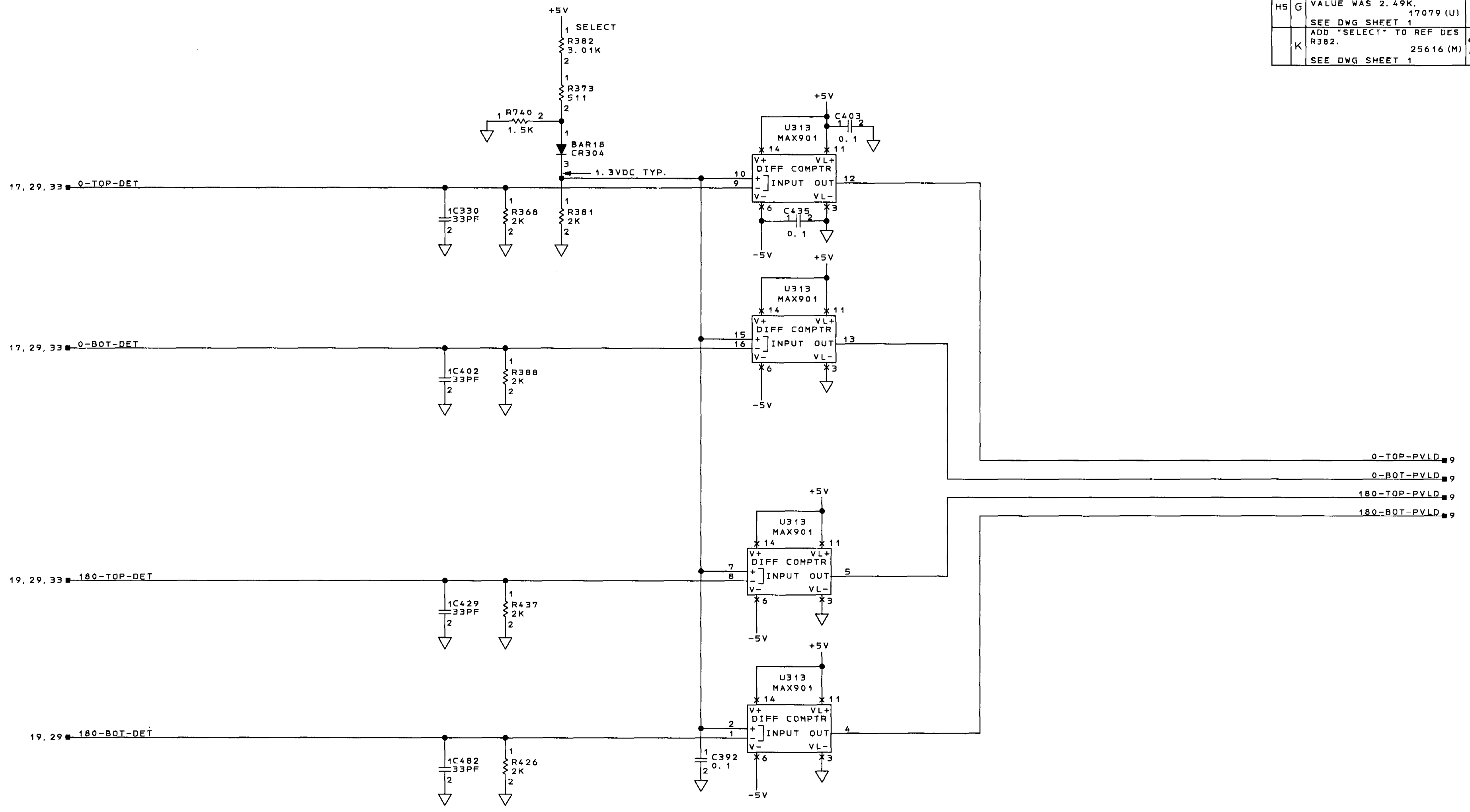
ANTENNA BITE  
SCHEMATIC DIAGRAM SHEET NO. 7

COMPUTER GENERATED

Honeywell	SEE FIRST SHEET FOR CONTRACT NUMBER. USE OR DISCLOSURE OF INFORMATION ON THIS SHEET IS SUBJECT TO THE RESTRICTIONS ON THE FIRST SHEET OF THIS DOCUMENT.	SIZE	CAGE CODE	DRAWING NO.	REV
		E	55939	7517945-903	D
	SCALE			SHEET	10

REF 7517945-903 10

ZONE		REV	DESCRIPTION	DATE	APPROVED
H5	B		UDTD SCH: REF DES R382 VALUE WAS 2K.	9 FEB 98	M. SMITH M. BROWN M. MOREAU
			96238 (M) SEE DWG SHEET 1		
H5	G		UDTD SCH: REF DES R382 VALUE WAS 2.49K.	20 MAR 01	M. SMITH M. BROWN
			17079 (U) SEE DWG SHEET 1		M. RICHARD
K			ADD "SELECT" TO REF DES R382.		<i>ap</i> <i>How</i> <i>on</i>
			25616 (M) SEE DWG SHEET 1		J. OLSON



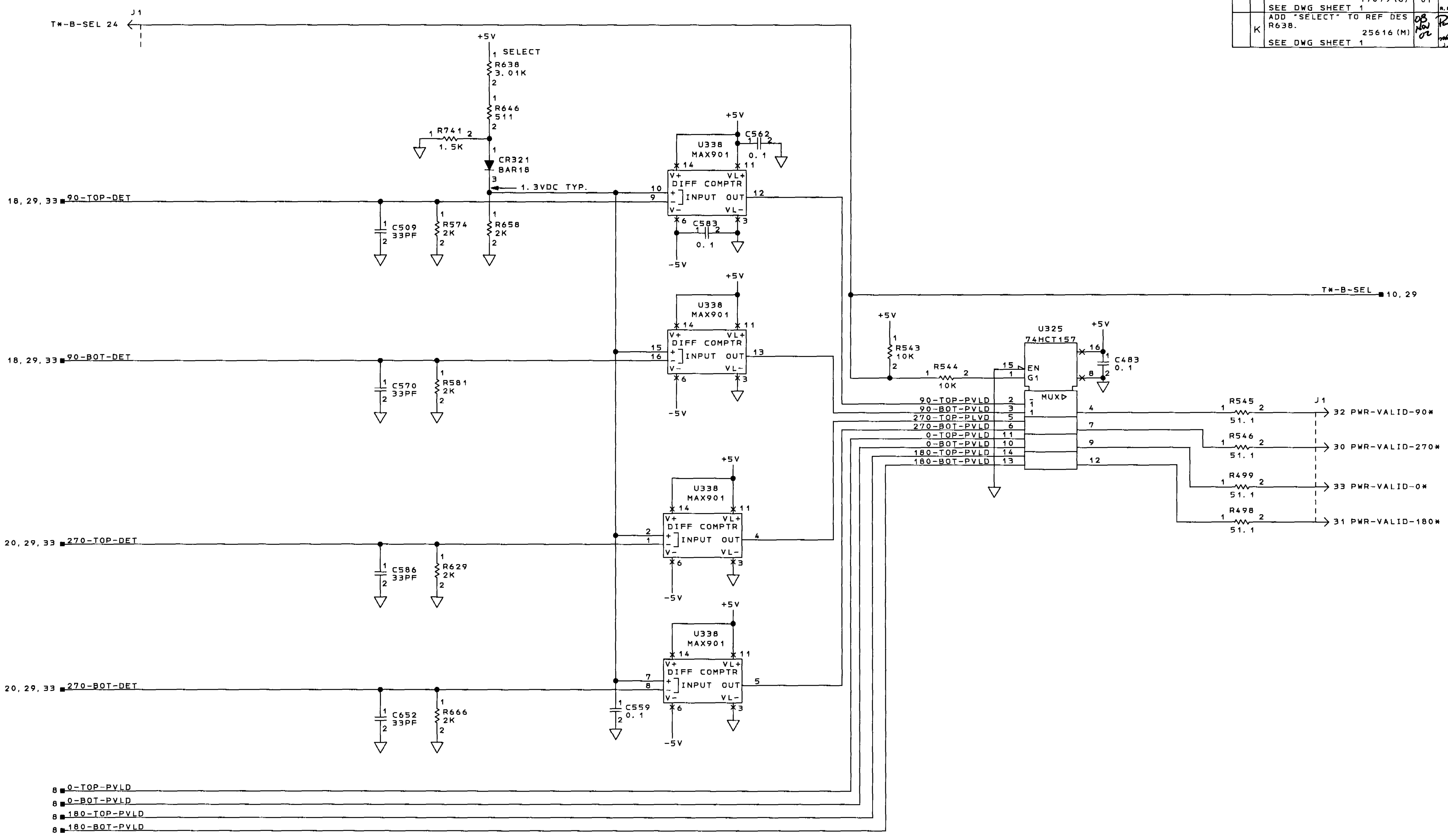
POWER VALID DETECTION  
SCHEMATIC DIAGRAM SHEET NO. 8

COMPUTER GENERATED

Honeywell	SEE FIRST SHEET FOR CONTRACT NUMBER. USE OR DISCLOSURE OF INFORMATION ON THIS SHEET IS SUBJECT TO THE RESTRICTIONS ON THE FIRST SHEET OF THIS DOCUMENT.	SIZE	E 55939	DRAWING NO.	7517945-903	REV	K
	SCALE						SHEET 11

7517945-903 11  
 DATE: 03-01-01

REVISEMENTS		DATE	APPROVED
G6	B	9 FEB 98	H. SMITH M. BROWN M. MOREAU
H5	G	20 MAR 01	H. SMITH M. BROWN R. RICHARDS
K		25616 (M)	<i>[Signature]</i> M. OLSON



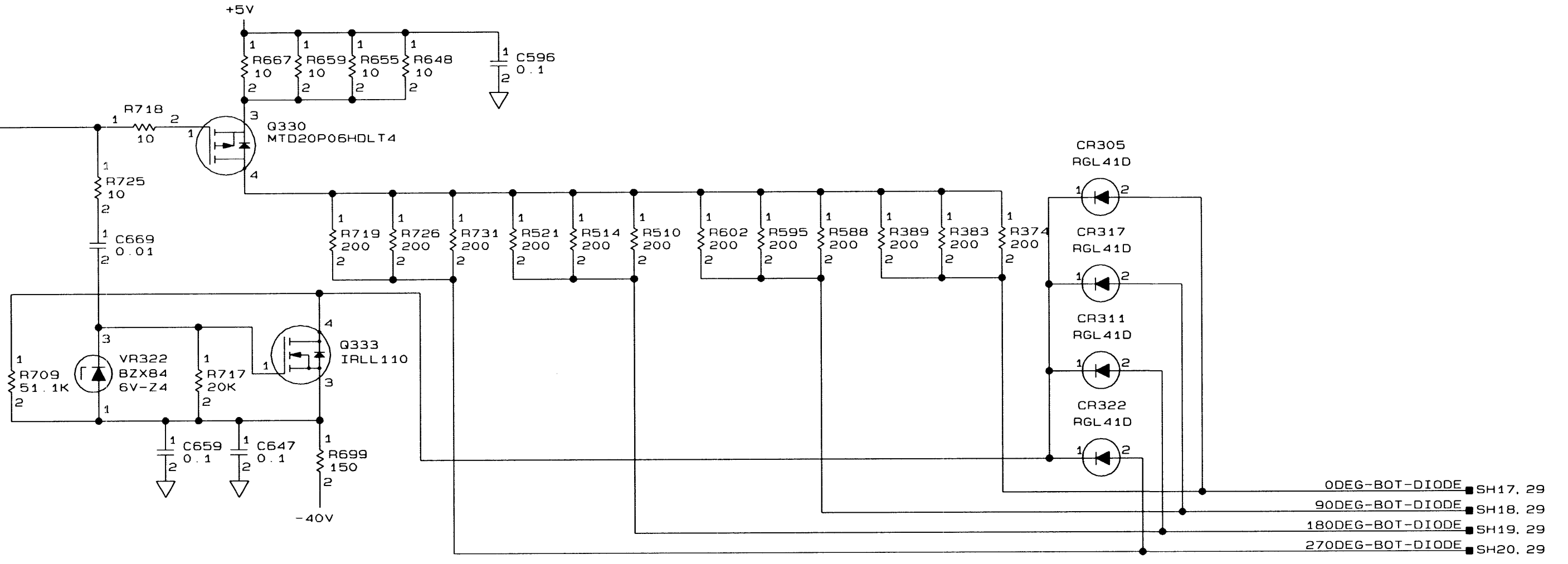
POWER VALID DETECTION  
SCHEMATIC DIAGRAM SHEET NO. 9

COMPUTER GENERATED

Honeywell	SEE FIRST SHEET FOR CONTRACT NUMBER. USE OR DISCLOSURE OF INFORMATION ON THIS SHEET IS SUBJECT TO THE RESTRICTIONS ON THE FIRST SHEET OF THIS DOCUMENT.	SIZE E	CAGE CODE 55939	DRAWING NO. 7517945-903	REV K
-----------	--	-----------	--------------------	----------------------------	----------

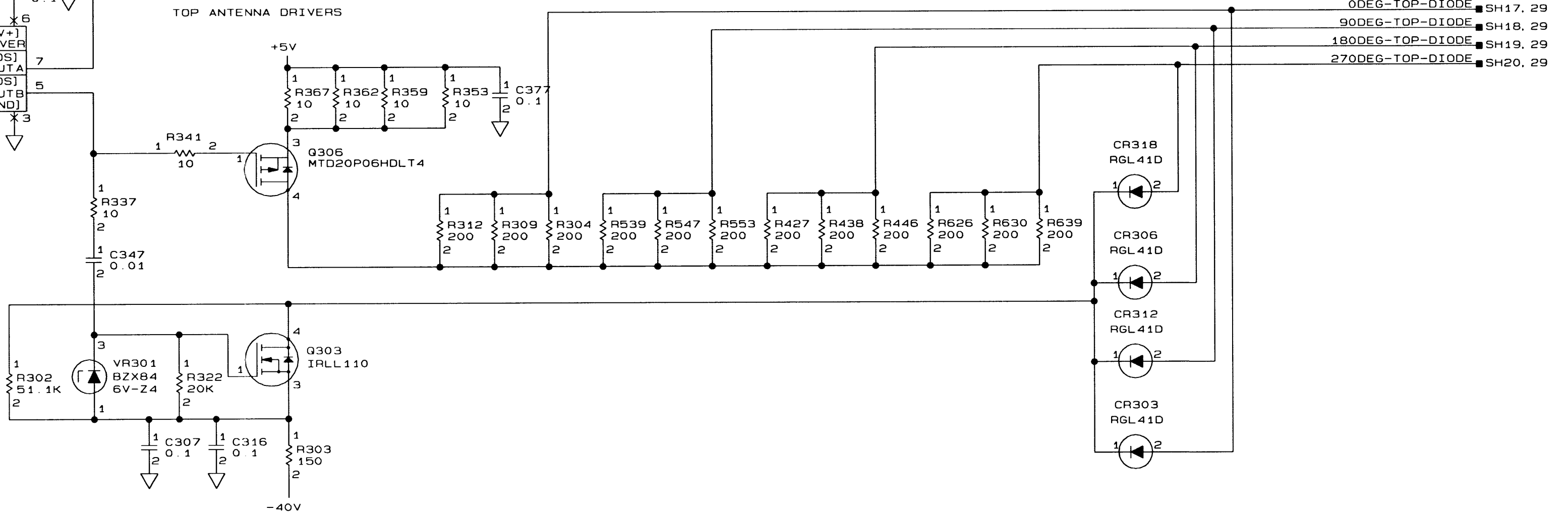
REVISIONS				
ZONE	REV	DESCRIPTION	DATE	APPROVED

BOTTOM ANTENNA DRIVERS

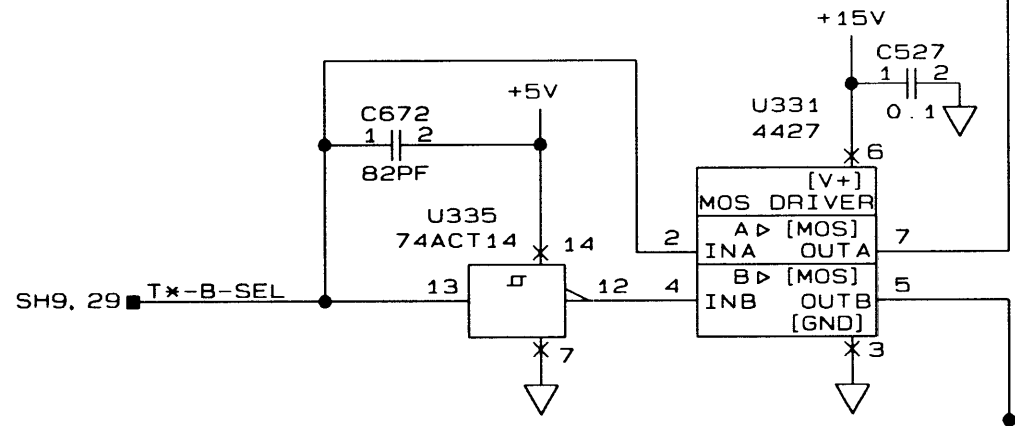


- 0DEG-BOT-DIODE SH17, 29
- 90DEG-BOT-DIODE SH18, 29
- 180DEG-BOT-DIODE SH19, 29
- 270DEG-BOT-DIODE SH20, 29

TOP ANTENNA DRIVERS



- 0DEG-TOP-DIODE SH17, 29
- 90DEG-TOP-DIODE SH18, 29
- 180DEG-TOP-DIODE SH19, 29
- 270DEG-TOP-DIODE SH20, 29



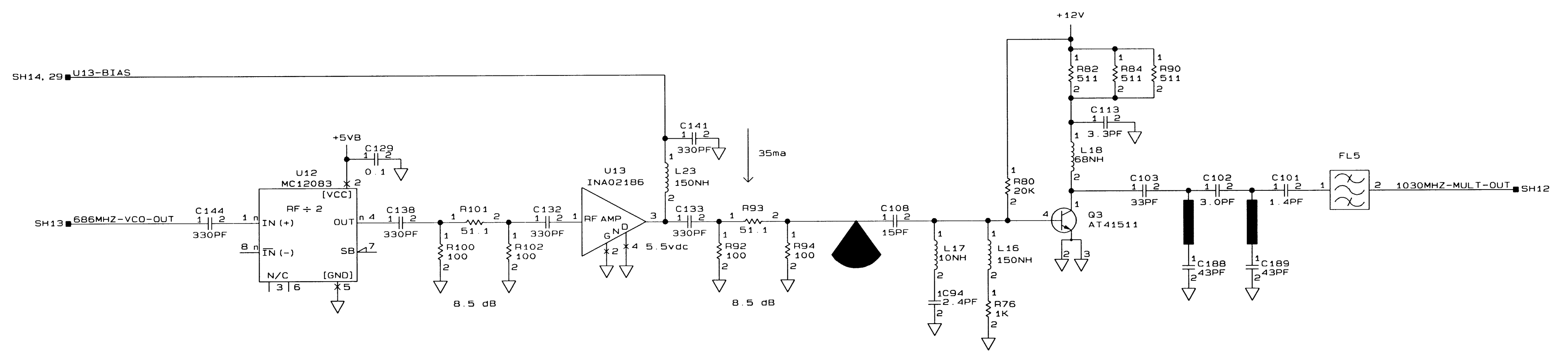
TOP/BOTTOM SWITCH DIODE DRIVERS  
SCHEMATIC DIAGRAM SHEET NO. 10

COMPUTER GENERATED

Honeywell	SEE FIRST SHEET FOR CONTRACT NUMBER. USE OR DISCLOSURE OF INFORMATION ON THIS SHEET IS SUBJECT TO THE RESTRICTIONS ON THE FIRST SHEET OF THIS DOCUMENT.	SIZE	CAGE CODE	DRAWING NO.	REV
		E	55939	7517945-903	13
SCALE				SHEET	13

800 751 7945-903  
 SHEET 13  
 11 8 1997  
 MICHEL MOREAU

REVISIONS				
ZONE	REV	DESCRIPTION	DATE	APPROVED



DIVIDE BY 2/ TRIPLER  
 DUROID SIDE  
 SCHEMATIC DIAGRAM SHEET NO. 11

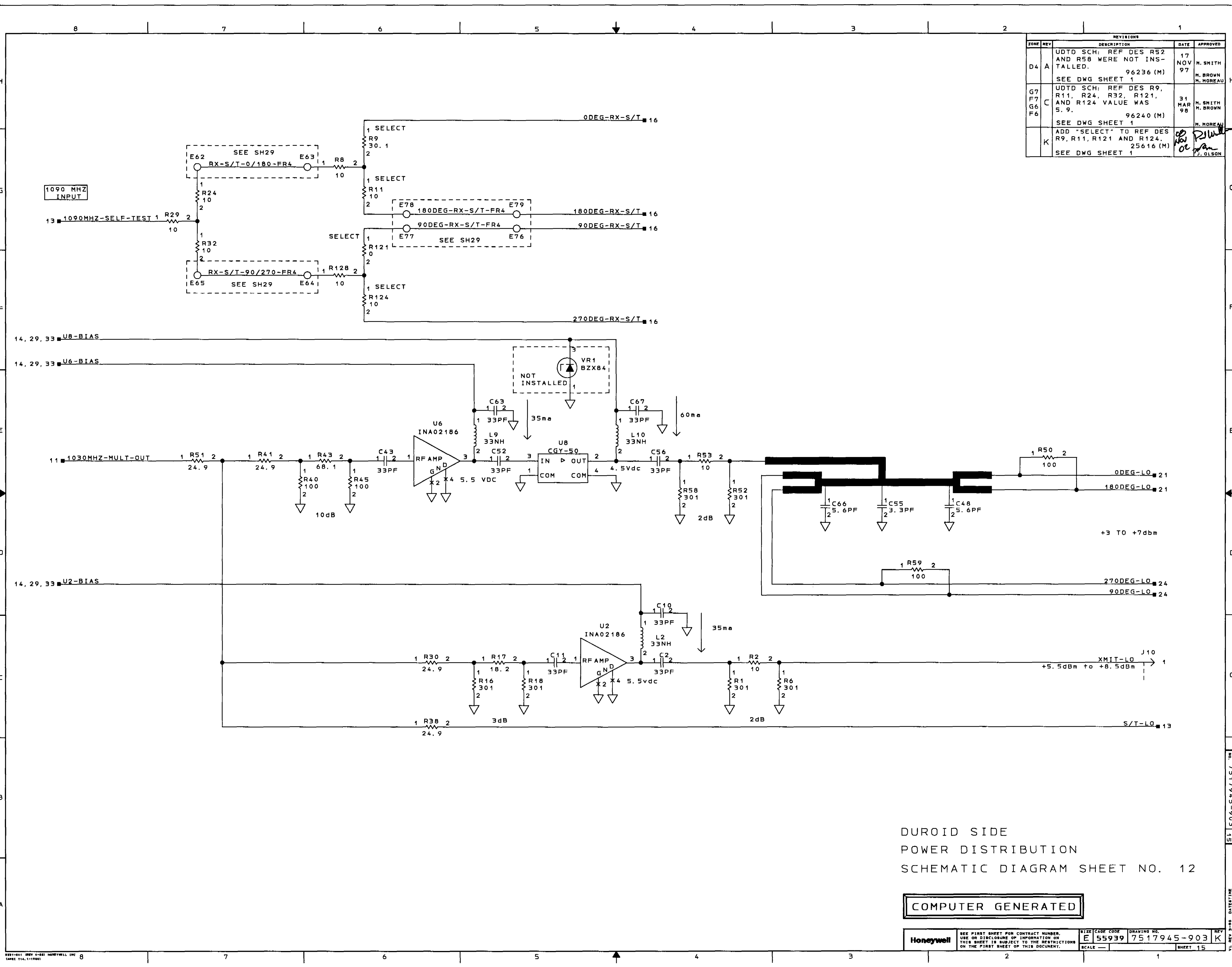
COMPUTER GENERATED

Honeywell	SEE FIRST SHEET FOR CONTRACT NUMBER. USE OR DISCLOSURE OF INFORMATION ON THIS SHEET IS SUBJECT TO THE RESTRICTIONS ON THE FIRST SHEET OF THIS DOCUMENT.	SIZE	CAGE CODE	DRAWING NO.	REV
	SCALE	E 55939	7517945-903	14	1

7517945-903 14 1 11 9 1997 08 21



ZONE		REV	DESCRIPTION	DATE	APPROVED
D4	A		UDTD SCH: REF DES R52 AND R58 WERE NOT INSTALLED.	17 NOV 97	M. SMITH
			96236 (M) SEE DWG SHEET 1		M. BROWN M. MOREAU
G7 F7 G6 F6	C		UDTD SCH: REF DES R9, R11, R24, R32, R121, AND R124 VALUE WAS 5.9.	31 MAR 98	M. SMITH M. BROWN
			96240 (M) SEE DWG SHEET 1		M. MOREAU
		K	ADD "SELECT" TO REF DES R9, R11, R121 AND R124.	08 NOV 98	<i>[Signature]</i> J. OLSON
			25616 (M) SEE DWG SHEET 1		



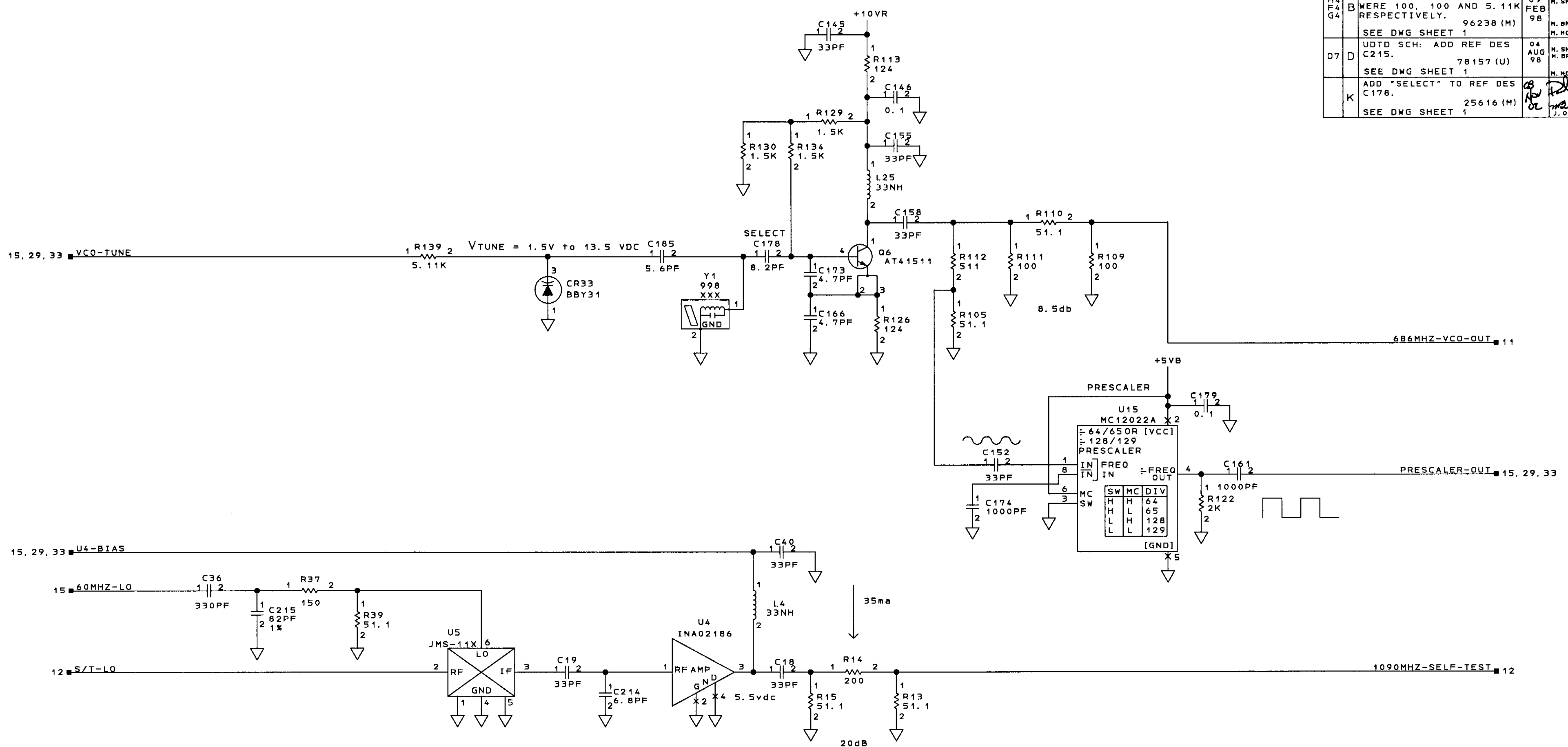
DUROID SIDE  
POWER DISTRIBUTION  
SCHEMATIC DIAGRAM SHEET NO. 12

COMPUTER GENERATED

Honeywell	SEE FIRST SHEET FOR CONTRACT NUMBER, USE OR DISCLOSURE OF INFORMATION ON THIS SHEET IS SUBJECT TO THE RESTRICTIONS ON THE FIRST SHEET OF THIS DOCUMENT.	SIZE CASE CODE E 55939	DRAWING NO. 7517945-903	REV K
	SCALE	SHEET 15		

7517945-903 SHEET 15

ZONE		REV	DESCRIPTION	DATE	APPROVED
D5	A		UDTD SCH: ADD REF DES C214.	17 NOV 97	M. SMITH
			96236 (M)		M. BROWN
			SEE DWG SHEET 1		M. MOREAU
H4	B		UDTD SCH: REF DES R113, R126 AND R134 VALUES WERE 100, 100 AND 5.11K RESPECTIVELY.	09 FEB 98	M. SMITH
			96238 (M)		M. BROWN
			SEE DWG SHEET 1		M. MOREAU
D7	D		UDTD SCH: ADD REF DES C215.	04 AUG 98	M. SMITH
			78157 (U)		M. BROWN
			SEE DWG SHEET 1		M. MOREAU
	K		ADD 'SELECT' TO REF DES C178.		<i>[Signature]</i>
			25616 (M)		J. OLSON
			SEE DWG SHEET 1		



DUROID SIDE  
 1030 MHZ LOCAL OSCILLATOR  
 SCHEMATIC DIAGRAM SHEET NO. 13

COMPUTER GENERATED

Honeywell	SEE FIRST SHEET FOR CONTRACT NUMBER, USE OR DISCLOSURE OF THIS SHEET IS SUBJECT TO THE RESTRICTIONS ON THE FIRST SHEET OF THIS DOCUMENT.	SIZE CASE CODE	DRAWING NO.	REV
		E 55939	7517945-903	K
		SCALE	SHEET 16	