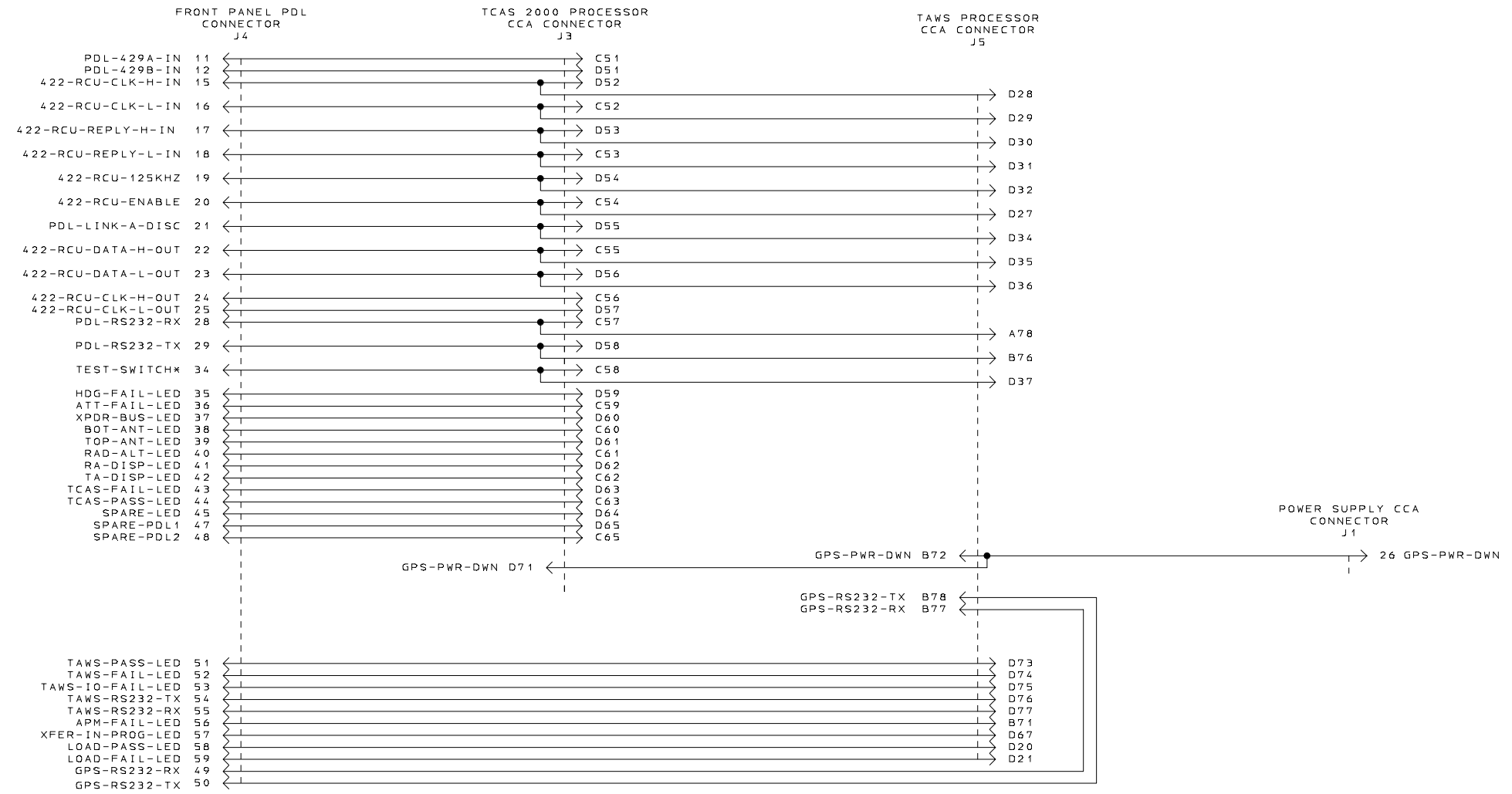


REV		DESCRIPTION	DATE
5208	F	CHANGED BORDER.	07-18-02



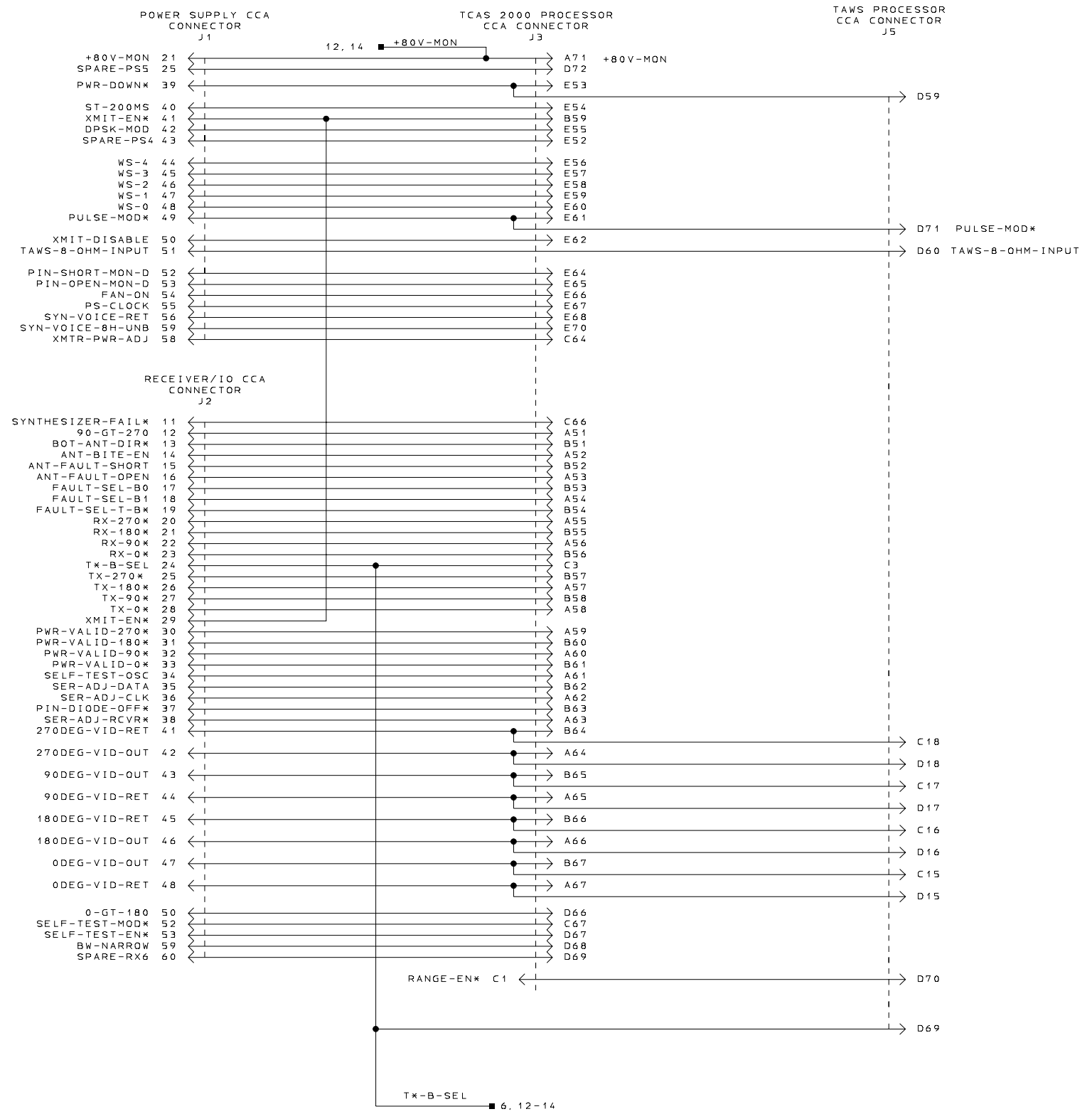
PORTABLE DATA LOADER (PDL) CONNECTOR  
 A1 INTERCONNECT CCA  
 SCHEMATIC DIAGRAM SHEET NO. 7

COMPUTER GENERATED

ACSS	SEE FIRST SHEET FOR CONTRACT NUMBER, USE OR DISCLOSURE OF INFORMATION ON THIS SHEET IS SUBJECT TO THE RESTRICTIONS ON THE FIRST SHEET OF THIS DOCUMENT.	SIZE	CAGE CODE	DRAWING NO.	REV
		E	1WYD3	9000010-001	F
SCALE		SHEET		10	

DATE TIME 07-18-02

REV		DESCRIPTION	DATE
5208	F	CHANGED BORDER.	07-18-02



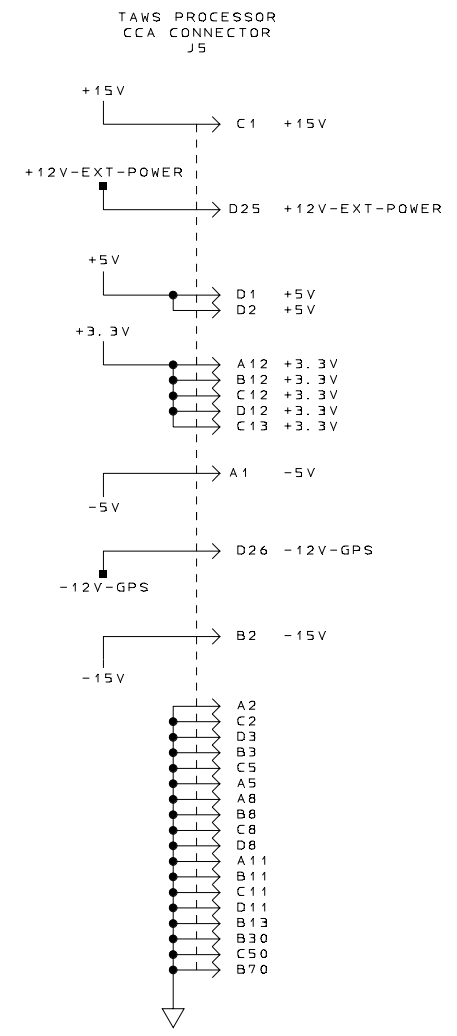
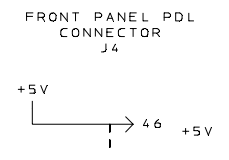
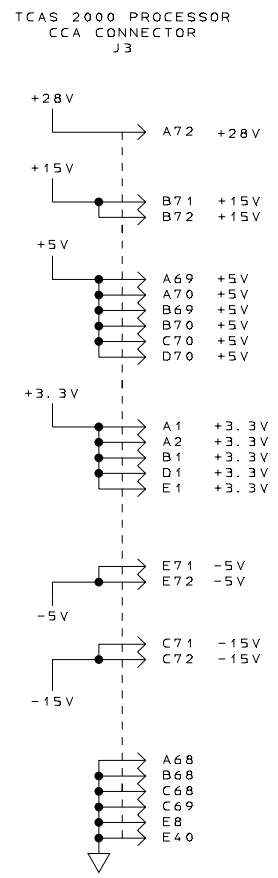
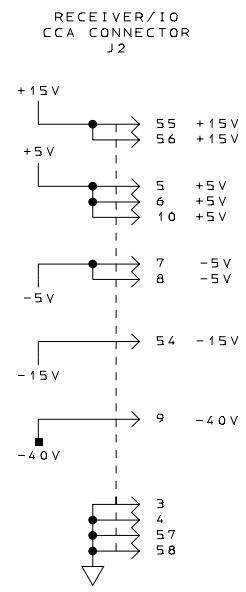
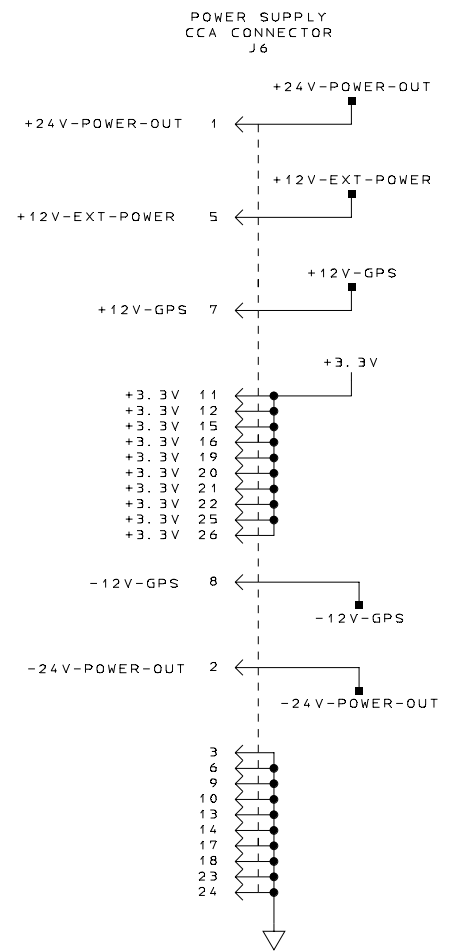
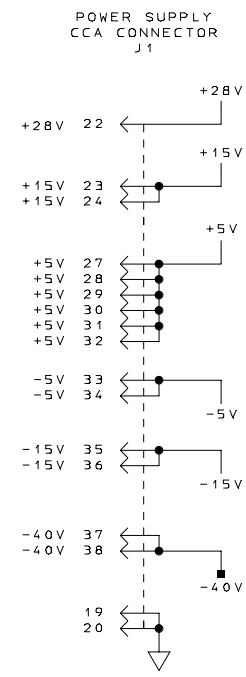
POWER SUPPLY / RECEIVER I/O CONNECTORS  
A1 INTERCONNECT CCA  
SCHEMATIC DIAGRAM SHEET NO. 8

COMPUTER GENERATED

ACSS	SEE FIRST SHEET FOR CONTRACT NUMBER. USE OR DISCLOSURE OF INFORMATION ON THIS SHEET IS SUBJECT TO THE RESTRICTIONS ON THE FIRST SHEET OF THIS DOCUMENT.	SIZE	CAGE CODE	DRAWING NO.	REV
		E	1WYD3	9000010-001	F
SCALE				SHEET 11	

DATE TIME 100-0100006 000

REV		DESCRIPTION	DATE
5208	F	CHANGED BORDER.	07-18-02



POWER SUPPLY CONNECTORS  
A1 INTERCONNECT CCA  
SCHEMATIC DIAGRAM SHEET NO. 9

COMPUTER GENERATED

ACSS	SEE FIRST SHEET FOR CONTRACT NUMBER, USE OR DISCLOSURE OF INFORMATION ON THIS SHEET IS SUBJECT TO THE RESTRICTIONS ON THE FIRST SHEET OF THIS DOCUMENT.	SIZE	E 1WYD3	DRAWING NO.	9000010-001	REV	F
		SCALE			SHEET	12	

DATE TIME

REV		DESCRIPTION	DATE
5208	F	CHANGED BORDER.	07-18-02

P1D	
1, 13	A453-1A 1A
1, 13	A453-1B 1B
1, 13	A429-IN-1A 1C
1, 13	A429-IN-1B 1D
1, 13	A453-2A 1E
1, 13	A453-2B 1F
1, 13	A429-IN-2A 1G
1, 13	A429-IN-2B 1H
1, 13	A429-IN-3A 1J
1, 13	A429-IN-3B 1K

P1D	
1, 13	A429-IN-16A SYN-8X 6A
1, 13	A429-IN-16B SYN-8Z 6B
1, 13	SYN-9X 6C
1, 13	SYN-9Y 6D
1, 13	SYN-9Z 6E
1, 13	SYN-9Y 6F
1, 13	SYN-10X 6G
1, 13	SYN-10Z 6H
1, 13	SYN-10Y 6J
1, 13	SYN-14Z 6K

P1D	
2, 13	GND-DISC-IN13 11A
2, 13	GND-DISC-IN14 11B
2, 13	GND-DISC-IN15 11C
2, 13	GND-DISC-IN16 11D
2, 13	GND-DISC-IN17 11E
2, 13	GND-DISC-IN18 11F
2, 13	GND-DISC-IN19 11G
2, 13	GND-DISC-IN20 11H
2, 13	GND-DISC-IN21 11J
2, 13	GND-DISC-IN22 11K

P1D	
1	ENET-1-TX-P 2A
1	ENET-1-TX-N 2B
1	ENET-1-RX-P 2C
1	ENET-1-RX-N 2D
1, 13	A429-IN-4A 2E
1, 13	A429-IN-4B 2F
1, 13	ENET-2-TX-P 2G
1	ENET-2-TX-N 2H
1	ENET-2-RX-P 2J
1	ENET-2-RX-N 2K

P1D	
1, 13	SYN-11X 7A
1, 13	SYN-11Z 7B
1, 13	SYN-11Y 7C
1, 13	SYN-12X 7D
1, 13	SYN-12Z 7E
1, 13	SYN-12Y 7F
1, 13	SYN-13X 7G
1, 13	SYN-13Z 7H
1, 13	SYN-13Y 7J
1, 13	SYN-14Y 7K

P1D	
2, 13	28V-DISC-IN1 12A
2, 13	28V-DISC-IN2 12B
2, 13	28V-DISC-IN3 12C
2, 13	28V-DISC-IN4 12D
2, 13	28V-DISC-IN5 12E
2, 13	28V-DISC-IN6 12F
2, 13	28V-DISC-IN7 12G
2, 13	28V-DISC-IN8 12H
2, 13	28V-DISC-IN9 12J
2, 13	28V-DISC-IN10 12K

P1D	
1, 13	A429-IN-5A 3A
1, 13	A429-IN-5B 3B
1, 13	A429-IN-6A 3C
1, 13	A429-IN-6B 3D
1, 13	A429-IN-7A 3E
1, 13	A429-IN-7B 3F
1, 13	A429-IN-8A 422-IN-H 3G
1, 13	A429-IN-8B 422-IN-L 3H
1, 13	A429-IN-9A SYN-1X 3J
1, 13	A429-IN-9B SYN-1Z 3K

P1D	
1, 13	A429-OUT-1A 8A
1, 13	A429-OUT-1B 8B
1, 13	422-OUT-H 8C
1, 13	422-OUT-L 8D
1, 13	A429-OUT-2A 8E
1, 13	A429-OUT-2B 8F
1, 13	GS-DEV-1P 8G
1, 13	GS-DEV-1N 8H
1, 13	LOC-DEV-1P 8J
1, 13	LOC-DEV-1N 8K

P1D	
2, 13	28V-DISC-IN11 13A
2, 13	GND-DISC-OUT1 13B
2, 13	GND-DISC-OUT2 13C
2, 13	GND-DISC-OUT3 13D
2, 13	GND-DISC-OUT4 13E
2, 13	GND-DISC-OUT5 13F
2, 13	GND-DISC-OUT6 13G
2, 13	GND-DISC-OUT7 13H
2, 13	GND-DISC-OUT8 13J
2, 13	GND-DISC-OUT9 13K

P1D	
1, 13	A429-IN-10A SYN-2X 4A
1, 13	A429-IN-10B SYN-2Z 4B
1, 13	SYN-2Y 4C
1, 13	A429-IN-11A SYN-3X 4D
1, 13	A429-IN-11B SYN-3Z 4E
1, 13	SYN-3Y 4F
1, 13	A429-IN-12A SYN-4X 4G
1, 13	A429-IN-12B SYN-4Z 4H
1, 13	SYN-4Y 4J
1, 13	SYN-1Y 4K

P1D	
2, 13	DC-IN-1P 9A
2, 13	DC-IN-1N 9B
2, 13	GS-DEV-2P 9C
2, 13	GS-DEV-2N 9D
2, 13	LOC-DEV-2P 9E
2, 13	LOC-DEV-2N 9F
2, 13	DC-IN-2P 9G
2, 13	DC-IN-2N 9H
2, 13	GND-DISC-IN1 9J
2, 13	GND-DISC-IN2 9K

P1D	
2, 13	GND-DISC-OUT10 14A
2, 13	GND-MON-OUT1 14B
2, 13	GND-MON-OUT2 14C
2, 13	GND-MON-OUT3 14D
2, 13	DC-TAT-RET 14E
2, 13	DC-ALT-RATE-S 14F
2, 13	DC-ALT-RATE-P 14G
2, 13	DC-ALT-RATE-N 14H
2, 13	DC-REF-SV 14J
2, 13	DC-REF-RET 14K

P1D	
1, 13	A429-IN-13A SYN-5X 5A
1, 13	A429-IN-13B SYN-5Z 5B
1, 13	SYN-5Y 5C
1, 13	A429-IN-14A SYN-6X 5D
1, 13	A429-IN-14B SYN-6Z 5E
1, 13	SYN-6Y 5F
1, 13	A429-IN-15A SYN-7X 5G
1, 13	A429-IN-15B SYN-7Z 5H
1, 13	SYN-7Y 5J
1, 13	SYN-14X 5K

P1D	
2, 13	GND-DISC-IN3 10A
2, 13	GND-DISC-IN4 10B
2, 13	GND-DISC-IN5 10C
2, 13	GND-DISC-IN6 10D
2, 13	GND-DISC-IN7 10E
2, 13	GND-DISC-IN8 10F
2, 13	GND-DISC-IN9 10G
2, 13	GND-DISC-IN10 10H
2, 13	GND-DISC-IN11 10J
2, 13	GND-DISC-IN12 10K

P1D	
2, 12	TAWS-AUDIO-8H 15A
2, 13	TAWS-AUDIO-600H 15B
2, 13	TAWS-AUDIO-RET 15C
2, 9, 12, 13	+12V-EXT-POWER 15D
2, 13	APM-GND 15E
2, 13	APM-CLOCK 15F
2, 13	APM-DATA-OUT 15G
2, 13	APM-DATA-IN 15H
2, 13	APM-ENABLE1 15J
2, 13	APM-WR-ENABLE1 15K

ARINC 600 CONNECTOR  
A1 INTERCONNECT CCA  
SCHEMATIC DIAGRAM SHEET NO. 10

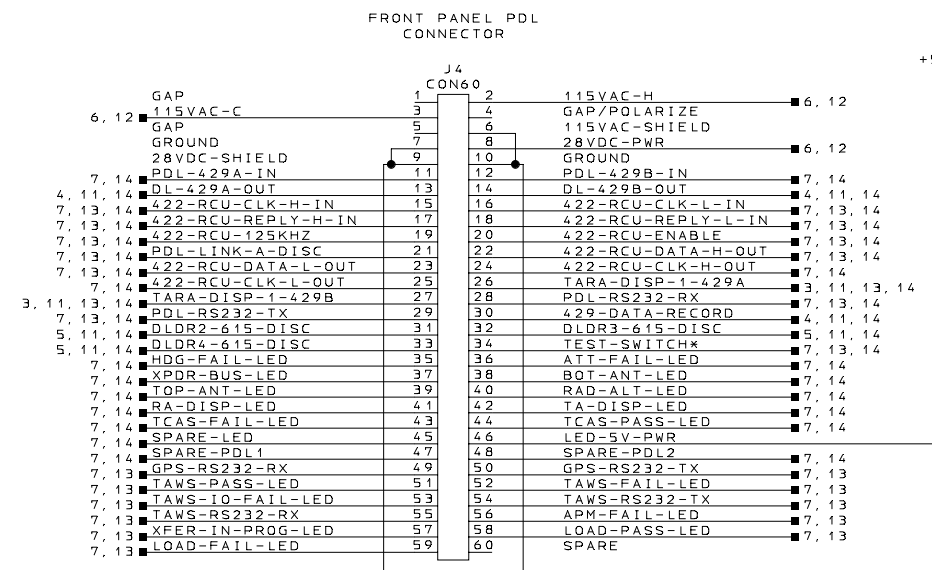
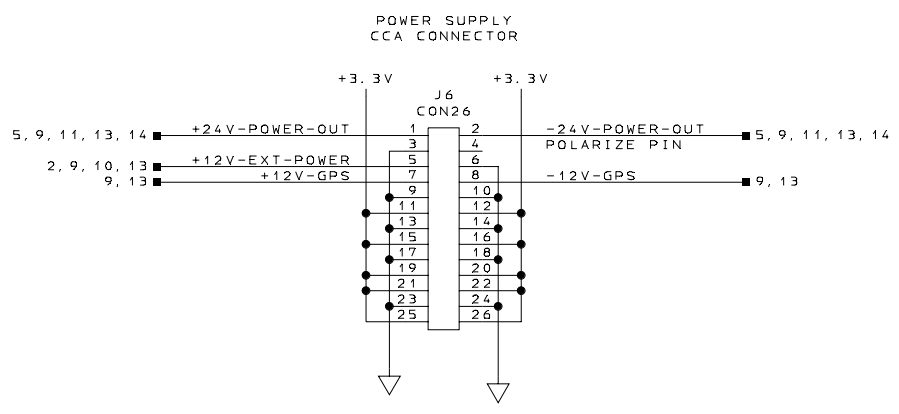
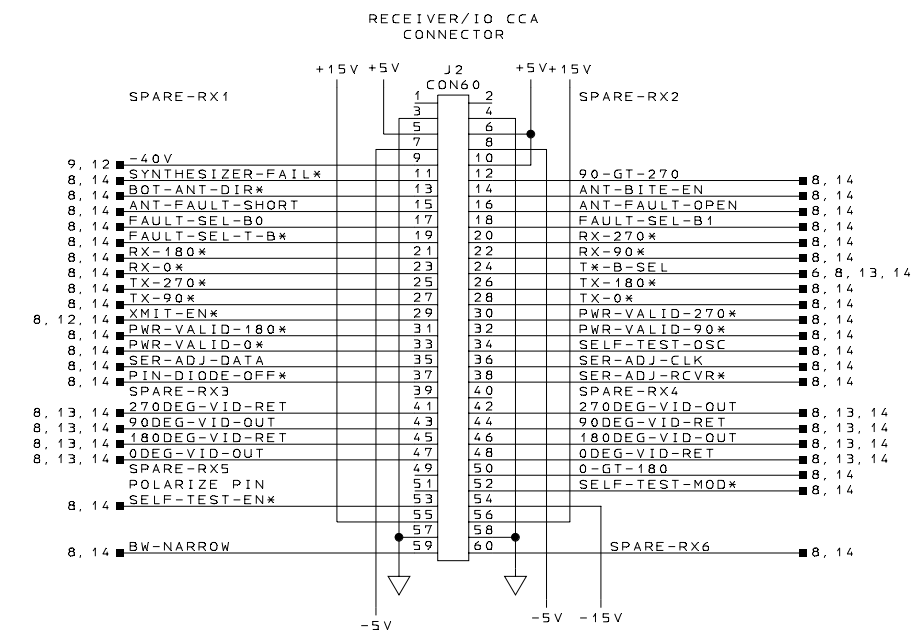
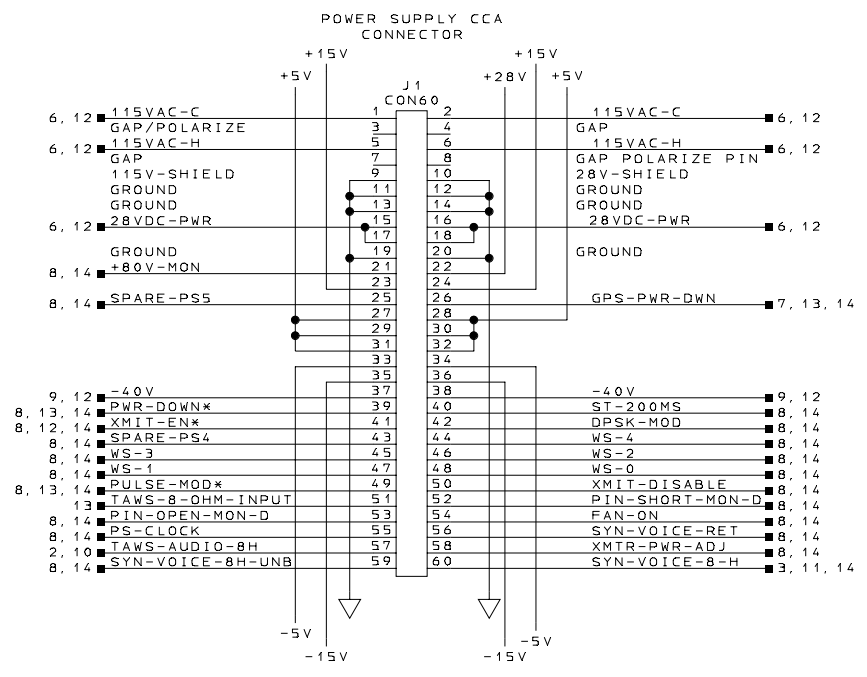
COMPUTER GENERATED

ACSS	SEE FIRST SHEET FOR CONTRACT NUMBER, USE OR DISCLOSURE OF INFORMATION ON THIS SHEET IS SUBJECT TO THE RESTRICTIONS ON THE FIRST SHEET OF THIS DOCUMENT.	SIZE	CAGE CODE	DRAWING NO.	REV
		E	1WYD3	9000010-001	F
				SCALE	SHEET 13

DATE TIME 100-0100006 000



REV		DESCRIPTION	DATE
5208	F	CHANGED BORDER.	07-18-02



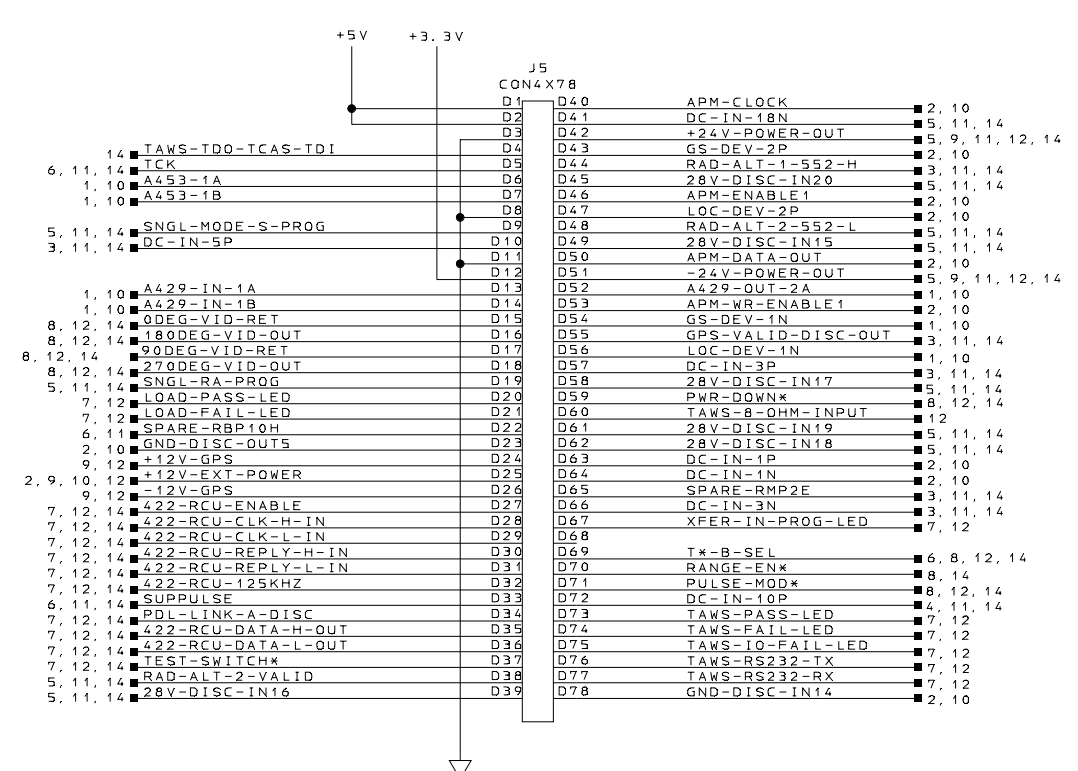
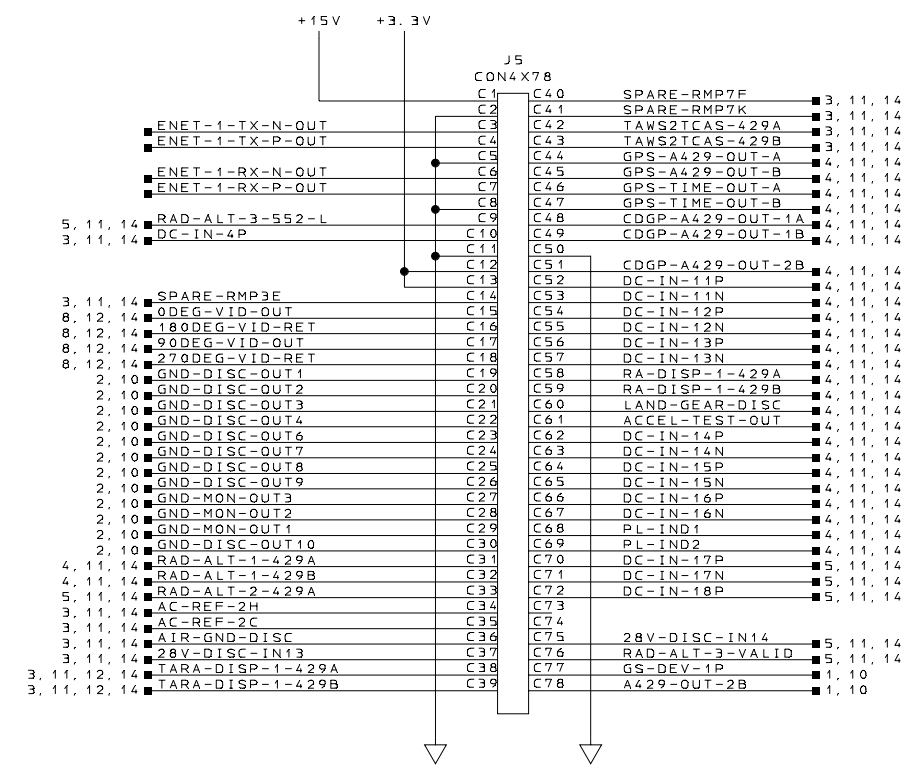
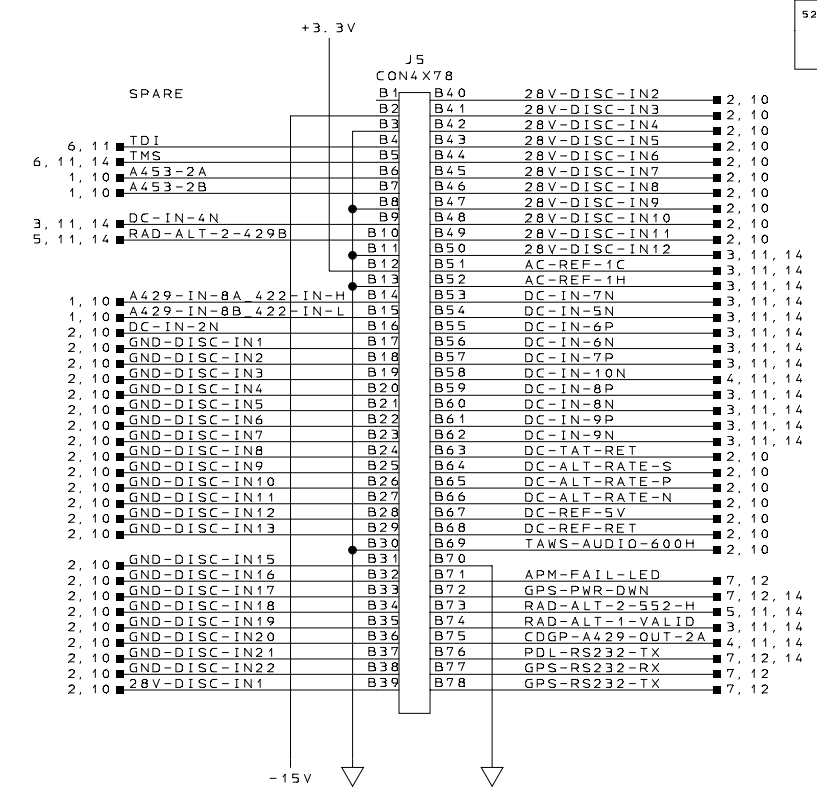
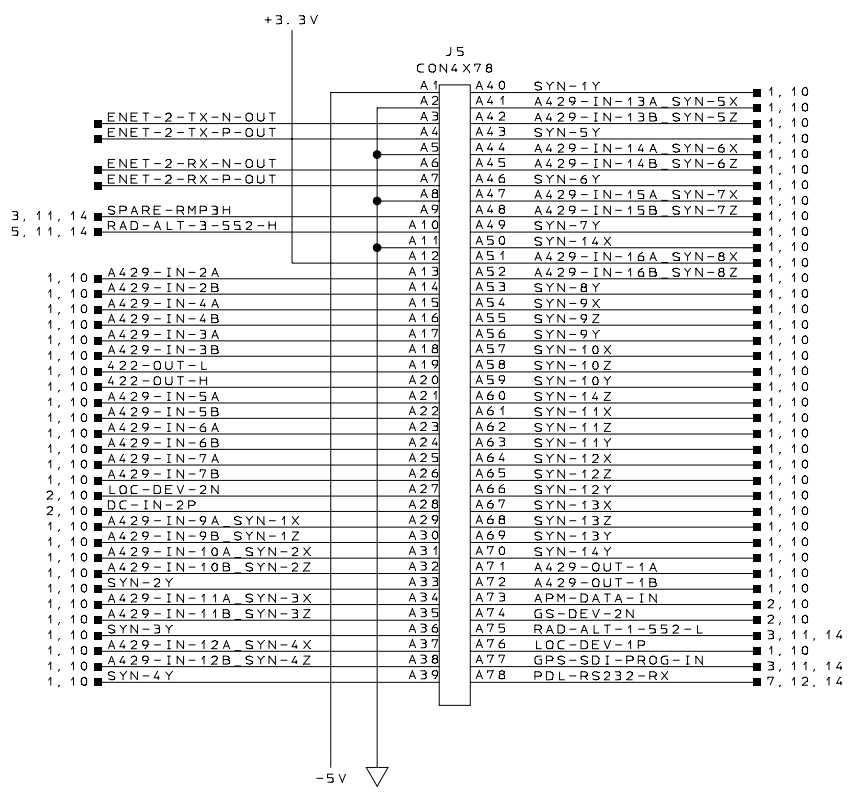
POWER SUPPLY / RECEIVER I/O / PDL  
A1 INTERCONNECT CCA  
SCHEMATIC DIAGRAM SHEET NO. 12

COMPUTER GENERATED

ACSS	SEE FIRST SHEET FOR CONTRACT NUMBER, USE OR DISCLOSURE OF INFORMATION ON THIS SHEET IS SUBJECT TO THE RESTRICTIONS ON THE FIRST SHEET OF THIS DOCUMENT.	SIZE	E 1WYD3	DRAWING NO.	9000010-001	REV	F
	SCALE		SHEET		15		

DATE TIME

REVISED		DESCRIPTION
CR	REV	
5208	F	PIN D11 HAS BEEN REMOVED DUE TO THE TAWS CCA (A7). PIN D11 IS CONNECTED TO GROUND. CHANGED BORDER.
		07-18-02



TAWS PROCESSOR CONNECTOR  
A1 INTERCONNECT CCA  
SCHEMATIC DIAGRAM SHEET NO. 13

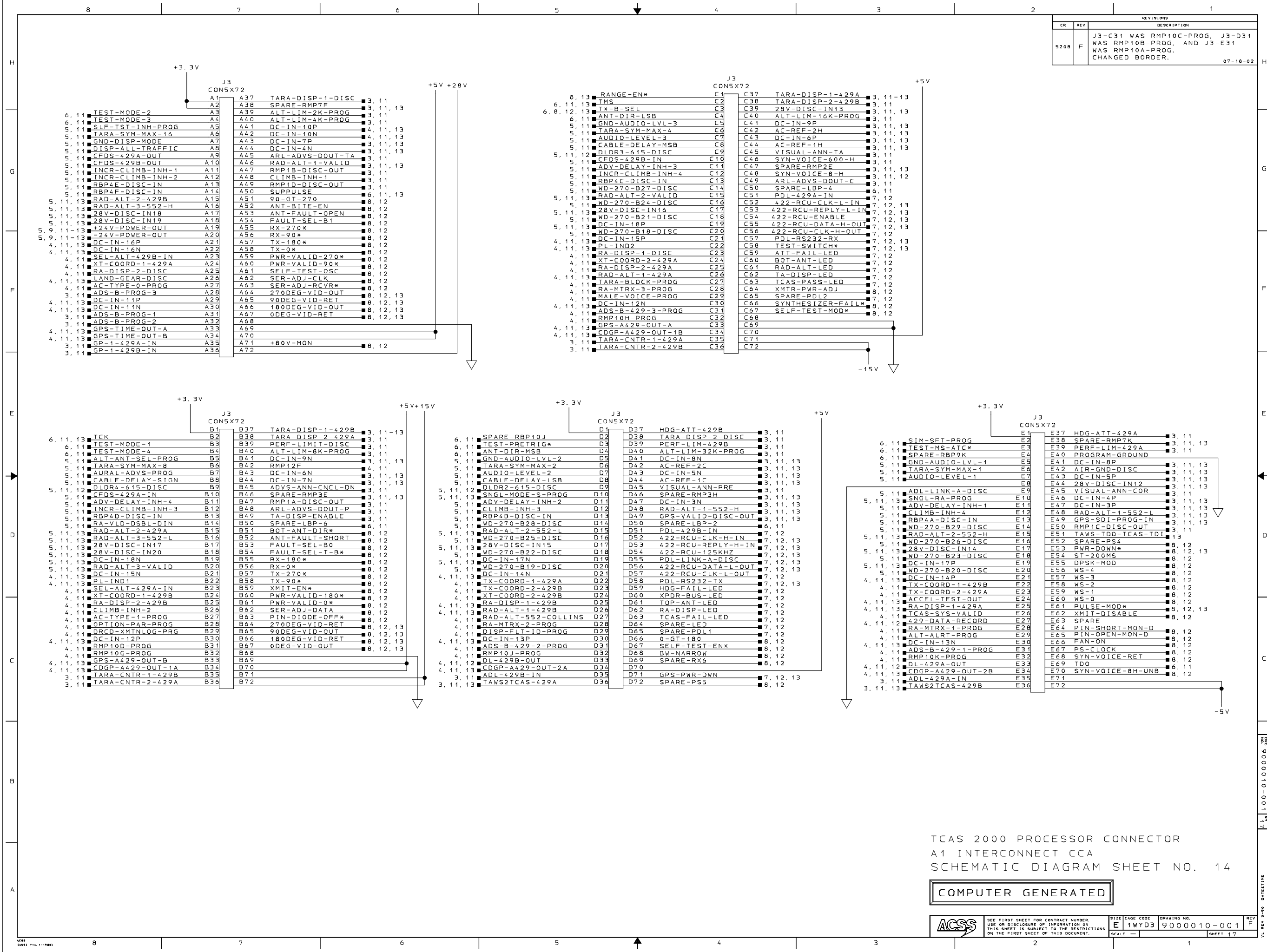
COMPUTER GENERATED

ACSS	SEE FIRST SHEET FOR CONTRACT NUMBER, USE OR DISCLOSURE OF INFORMATION ON THIS SHEET IS SUBJECT TO THE RESTRICTIONS ON THE FIRST SHEET OF THIS DOCUMENT.	SIZE	E 1WYD3	DRAWING NO.	9000010-001	REV	F
		SCALE		SHEET	16		

PL 100-0100006 REV 3-98 DATE TIME

REV		DESCRIPTION
5208	F	J3-C31 WAS RMP10C-PROG, J3-D31 WAS RMP10B-PROG, AND J3-E31 WAS RMP10A-PROG. CHANGED BORDER.

07-18-02



TCAS 2000 PROCESSOR CONNECTOR  
A1 INTERCONNECT CCA  
SCHEMATIC DIAGRAM SHEET NO. 14

COMPUTER GENERATED

ACSS	SEE FIRST SHEET FOR CONTRACT NUMBER. USE OR DISCLOSURE OF INFORMATION ON THIS SHEET IS SUBJECT TO THE RESTRICTIONS ON THE FIRST SHEET OF THIS DOCUMENT.	SIZE	E 1WYD3	CAGE CODE	9000010-001	DRAWING NO.	REV	F
		SCALE			SHEET	17		

DATE TIME