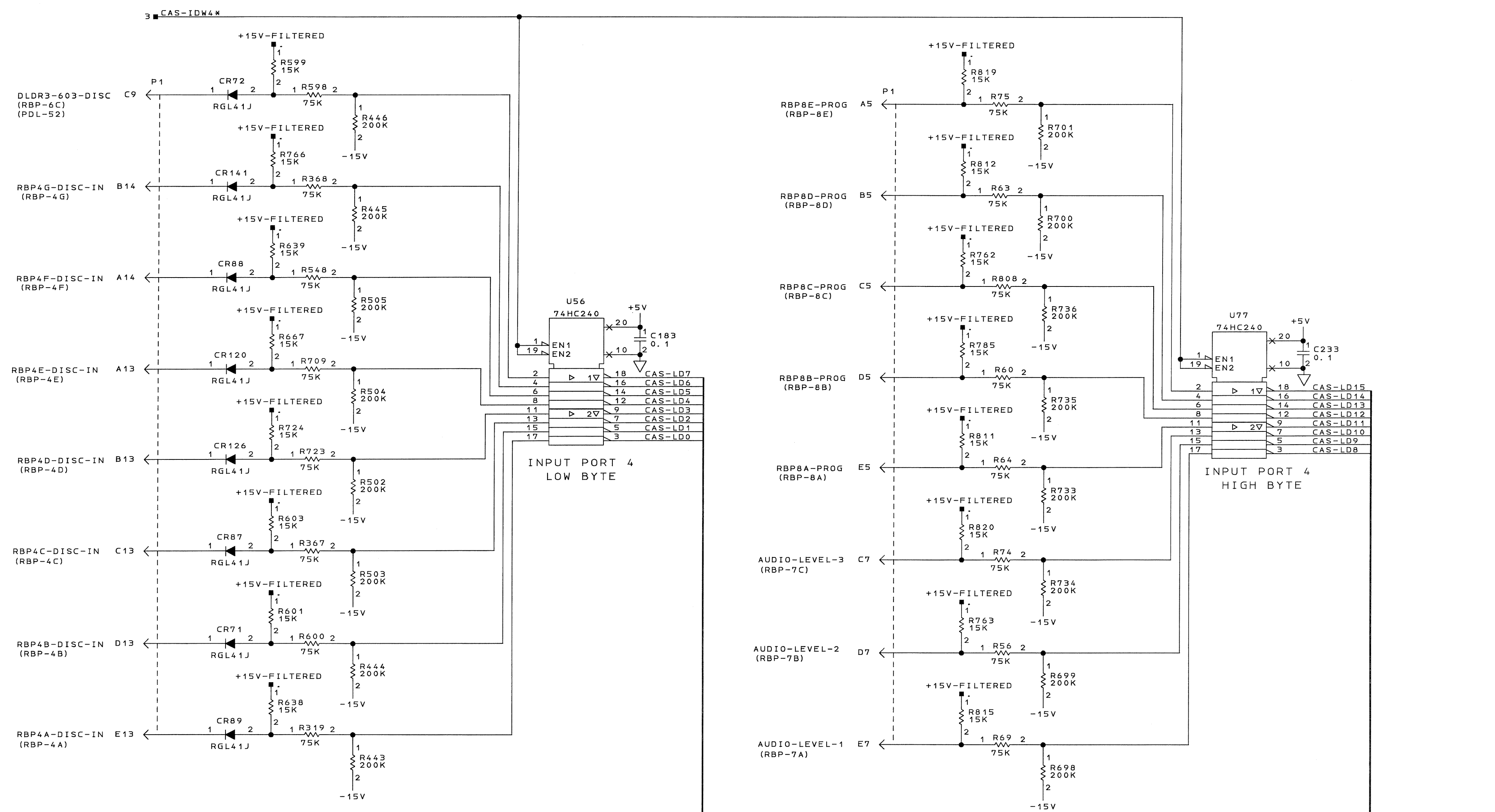


REVISIONS				
ZONE	REV	DESCRIPTION	DATE	APPROVED

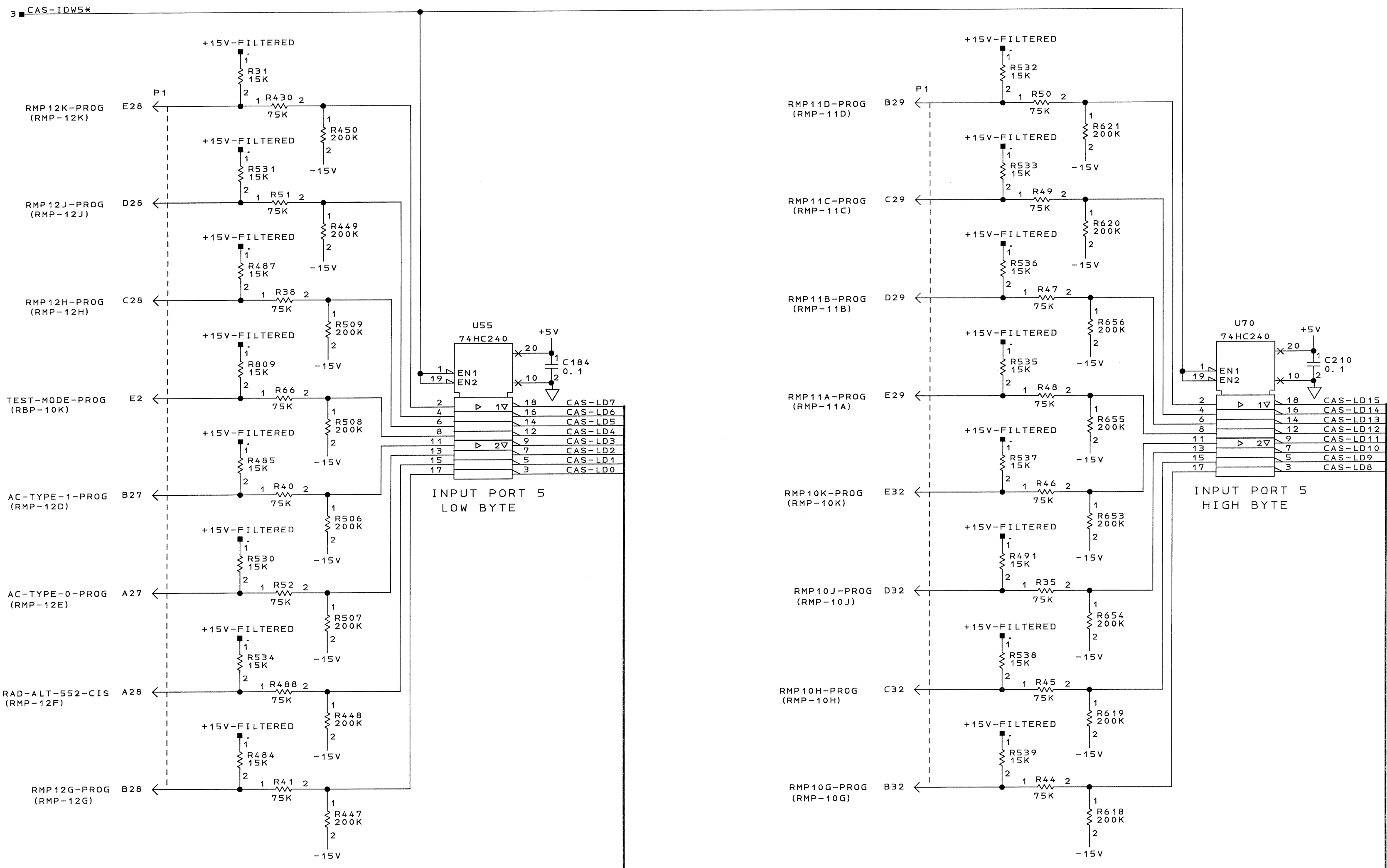


CAS-LD [15: 0]  
3-6, 9, 12-15, 17-19, 24

CAS CPU DISCRETE INPUTS  
A2 PROCESSOR CCA  
SCHEMATIC DIAGRAM SHEET NO. 16

COMPUTER GENERATED

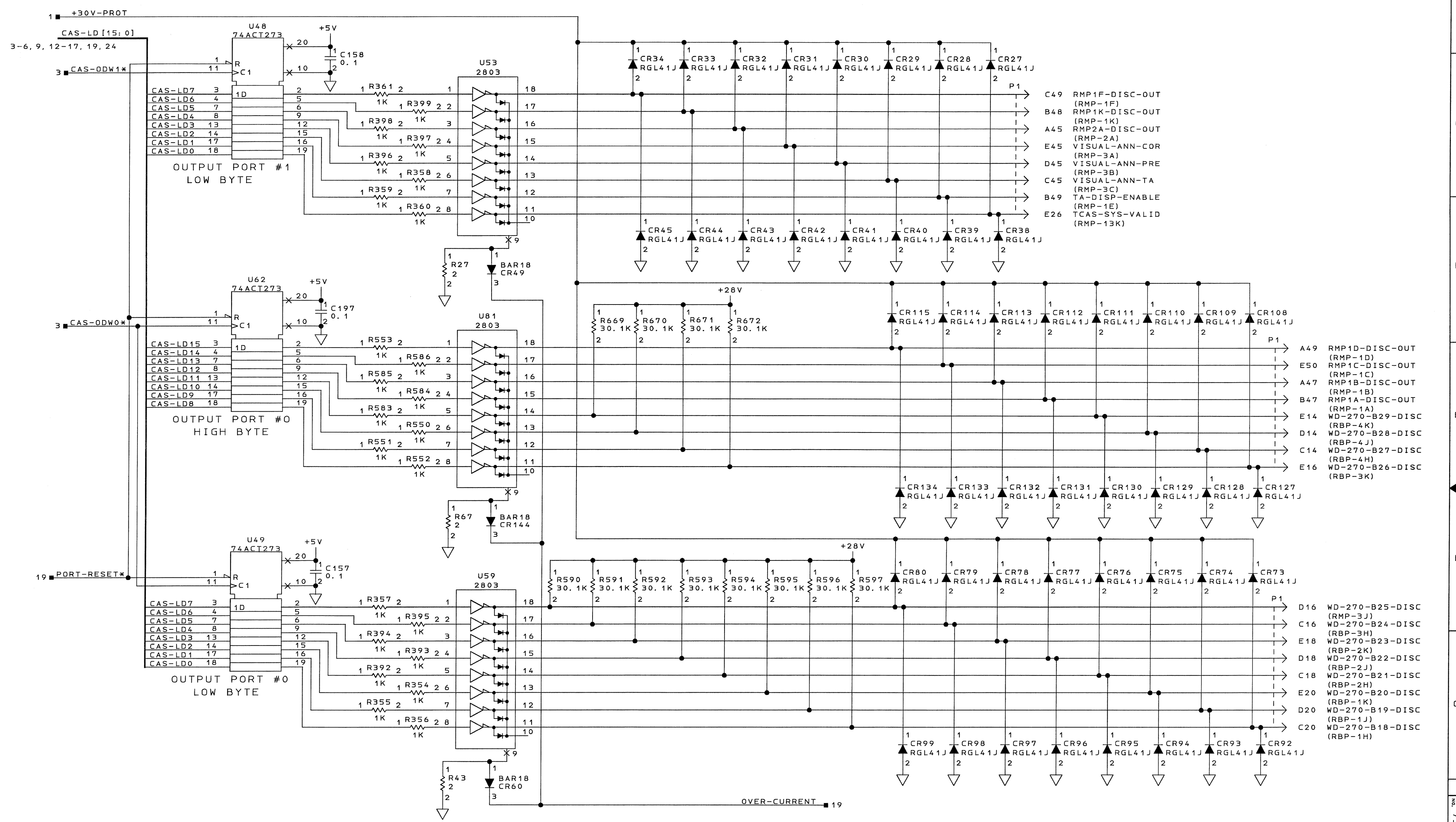
Honeywell	SEE FIRST SHEET FOR CONTRACT NUMBER. USE OR DISCLOSURE OF INFORMATION ON THIS SHEET IS SUBJECT TO THE RESTRICTIONS ON THE FIRST SHEET OF THIS DOCUMENT.	SIZE	E 55939	DRAWING NO.	7517925-903	REV	-
	SCALE	-	SHEET	19	REV	-	-



CAS-LD [15: 0]  
3-6, 9, 12-16, 18, 19, 24

CAS CPU DISCRETE INPUTS  
A2 PROCESSOR CCA  
SCHEMATIC DIAGRAM SHEET NO. 17

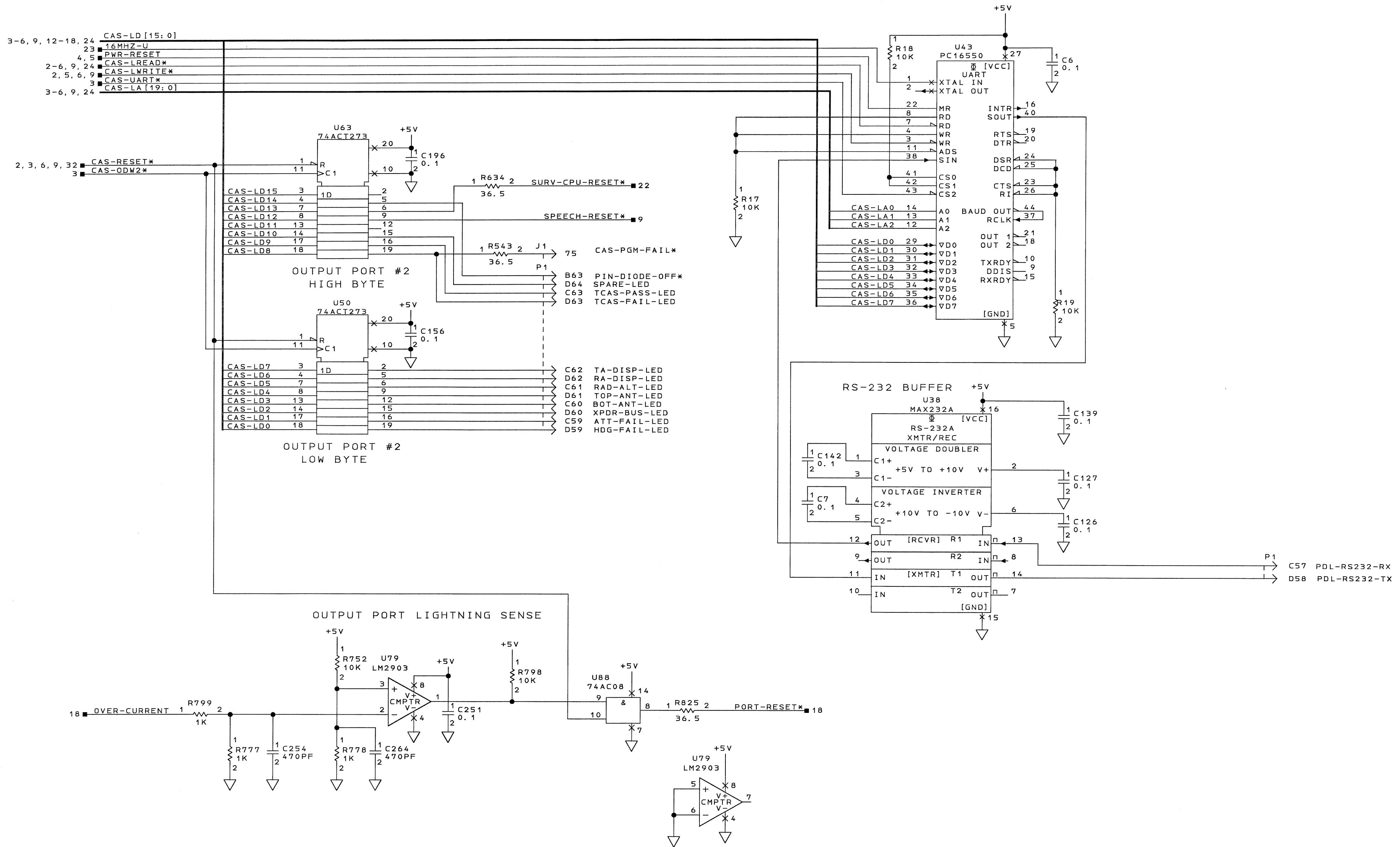
COMPUTER GENERATED



- C49 RMP1F-DISC-OUT (RMP-1F)
- B48 RMP1K-DISC-OUT (RMP-1K)
- A45 RMP2A-DISC-OUT (RMP-2A)
- E45 VISUAL-ANN-COR (RMP-3A)
- D45 VISUAL-ANN-PRE (RMP-3B)
- C45 VISUAL-ANN-TA (RMP-3C)
- B49 TA-DISP-ENABLE (RMP-1E)
- E26 TCAS-SYS-VALID (RMP-13K)
- A49 RMP1D-DISC-OUT (RMP-1D)
- E50 RMP1C-DISC-OUT (RMP-1C)
- A47 RMP1B-DISC-OUT (RMP-1B)
- B47 RMP1A-DISC-OUT (RMP-1A)
- E14 WD-270-B29-DISC (RBP-4K)
- D14 WD-270-B28-DISC (RBP-4J)
- C14 WD-270-B27-DISC (RBP-4H)
- E16 WD-270-B26-DISC (RBP-3K)
- D16 WD-270-B25-DISC (RMP-3J)
- C16 WD-270-B24-DISC (RBP-3H)
- E18 WD-270-B23-DISC (RBP-2K)
- D18 WD-270-B22-DISC (RBP-2J)
- C18 WD-270-B21-DISC (RBP-2H)
- E20 WD-270-B20-DISC (RBP-1K)
- D20 WD-270-B19-DISC (RBP-1J)
- C20 WD-270-B18-DISC (RBP-1H)

CAS CPU DISCRETE OUTPUTS  
 A2 PROCESSOR CCA  
 SCHEMATIC DIAGRAM SHEET NO. 18

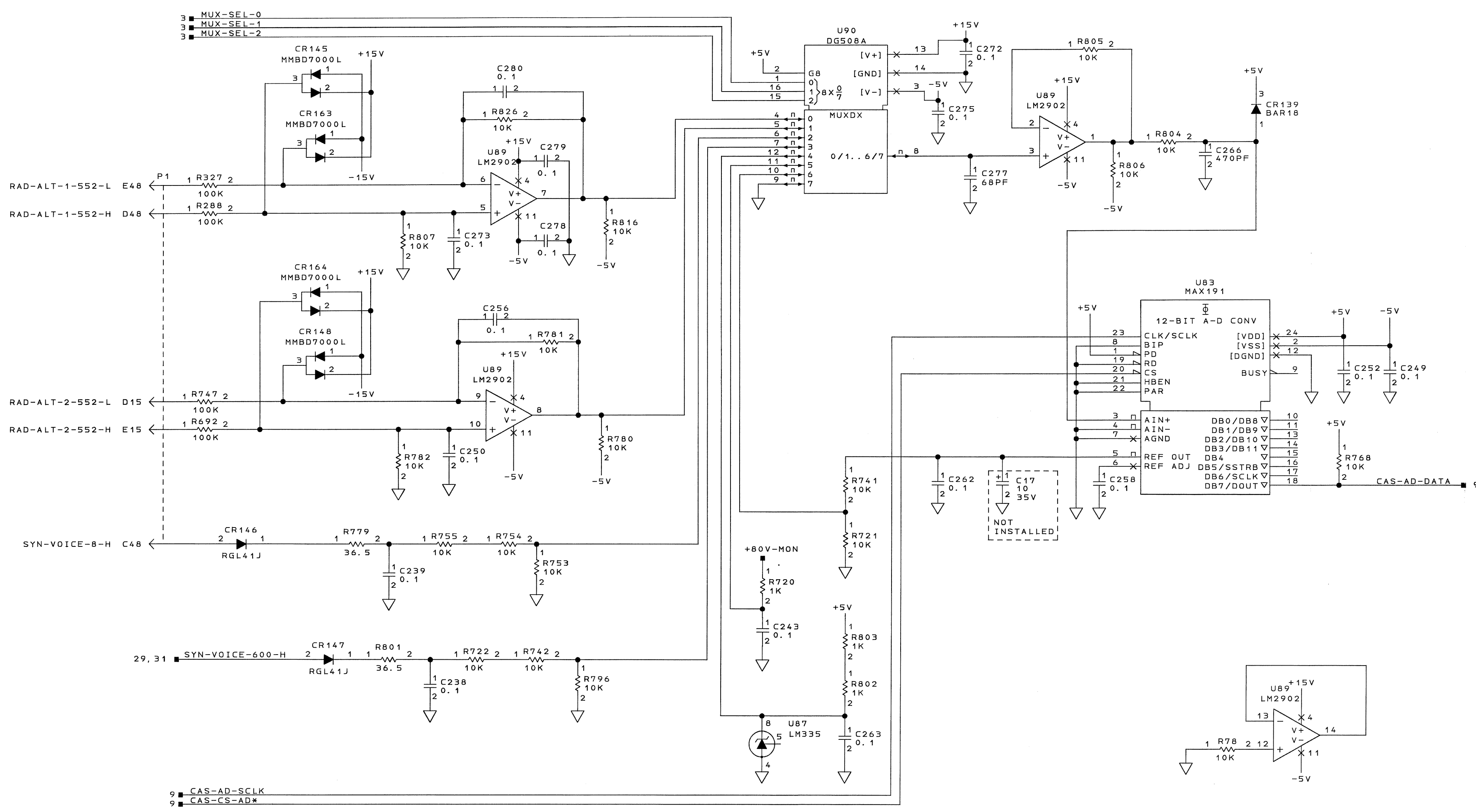
COMPUTER GENERATED



CAS CPU UART AND OUTPUT PORTS  
A2 PROCESSOR CCA  
SCHEMATIC DIAGRAM SHEET NO. 19

COMPUTER GENERATED

REVISIONS				
ZONE	REV	DESCRIPTION	DATE	APPROVED

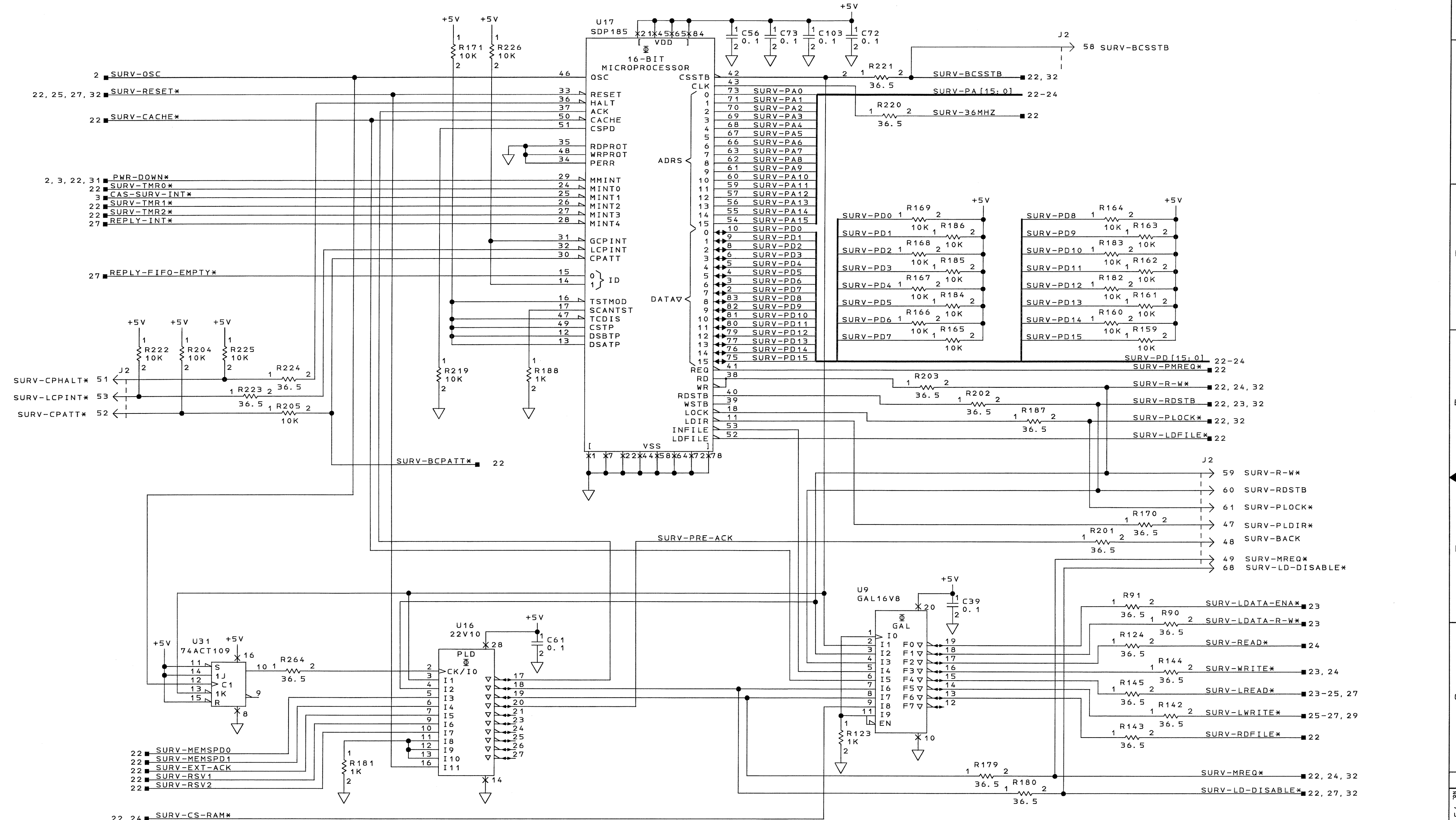


CAS CPU ANALOG INPUTS  
A2 PROCESSOR CCA  
SCHEMATIC DIAGRAM SHEET NO. 20

COMPUTER GENERATED

Honeywell	SEE FIRST SHEET FOR CONTRACT NUMBER. USE OR DISCLOSURE OF INFORMATION ON THIS SHEET IS SUBJECT TO THE RESTRICTIONS ON THE FIRST SHEET OF THIS DOCUMENT.	SIZE	E 55939	DRAWING NO.	7517925-903	REV	1
	SCALE						SHEET 23

REVISIONS				
ZONE	REV	DESCRIPTION	DATE	APPROVED



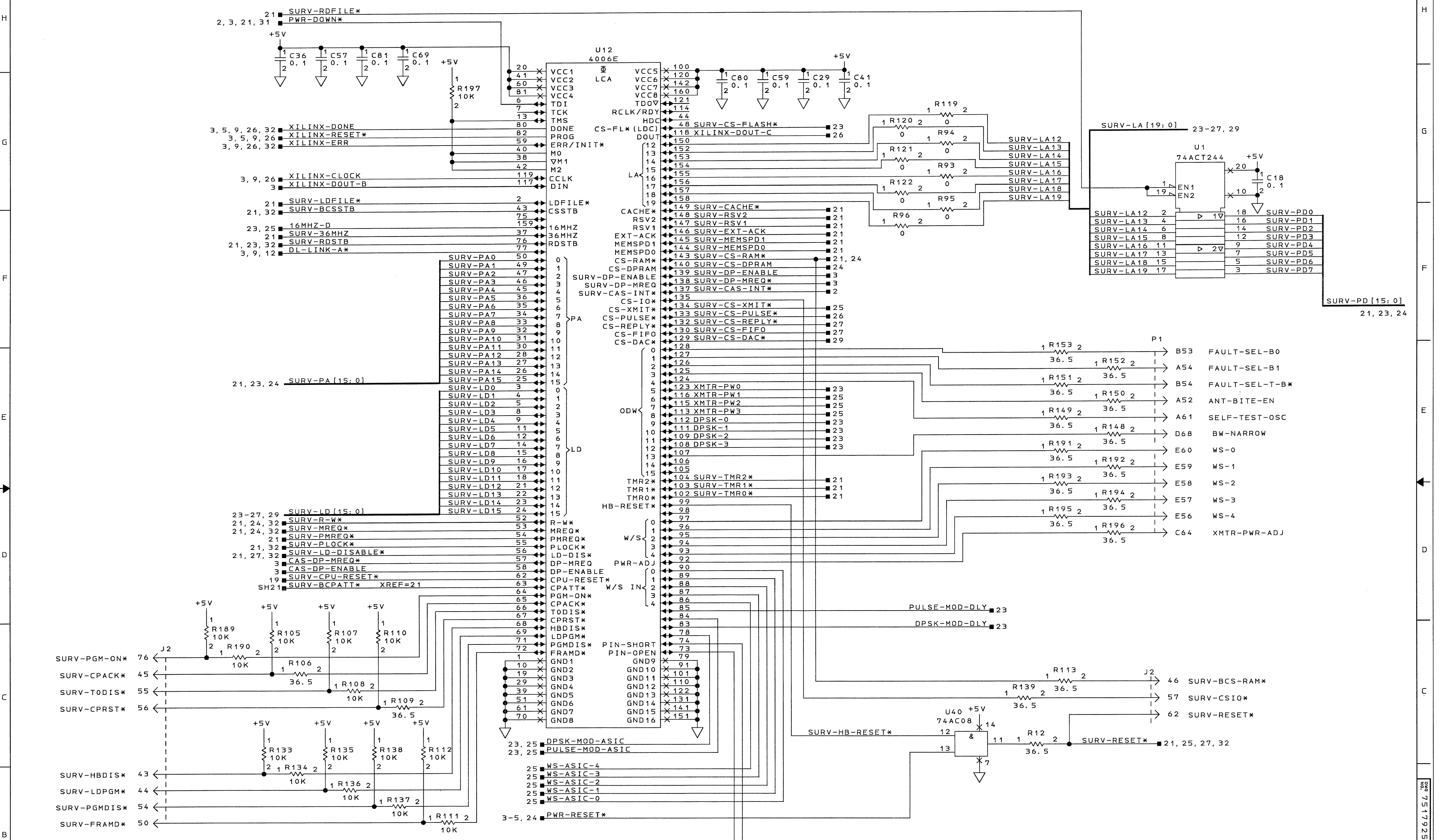
SURV CPU SDP185 PROCESSOR  
A2 PROCESSOR CCA  
SCHEMATIC DIAGRAM SHEET NO. 21

COMPUTER GENERATED

Honeywell	SEE FIRST SHEET FOR CONTRACT NUMBER, USE OR DISCLOSURE OF INFORMATION ON THIS SHEET IS SUBJECT TO THE RESTRICTIONS ON THE FIRST SHEET OF THIS DOCUMENT.	SIZE	E 55939	DRAWING NO.	7517925-903	REV	-
	SCALE	-	SHEET	24	DATE/TIME		



REVISIONS				
ZONE	REV	DESCRIPTION	DATE	APPROVED

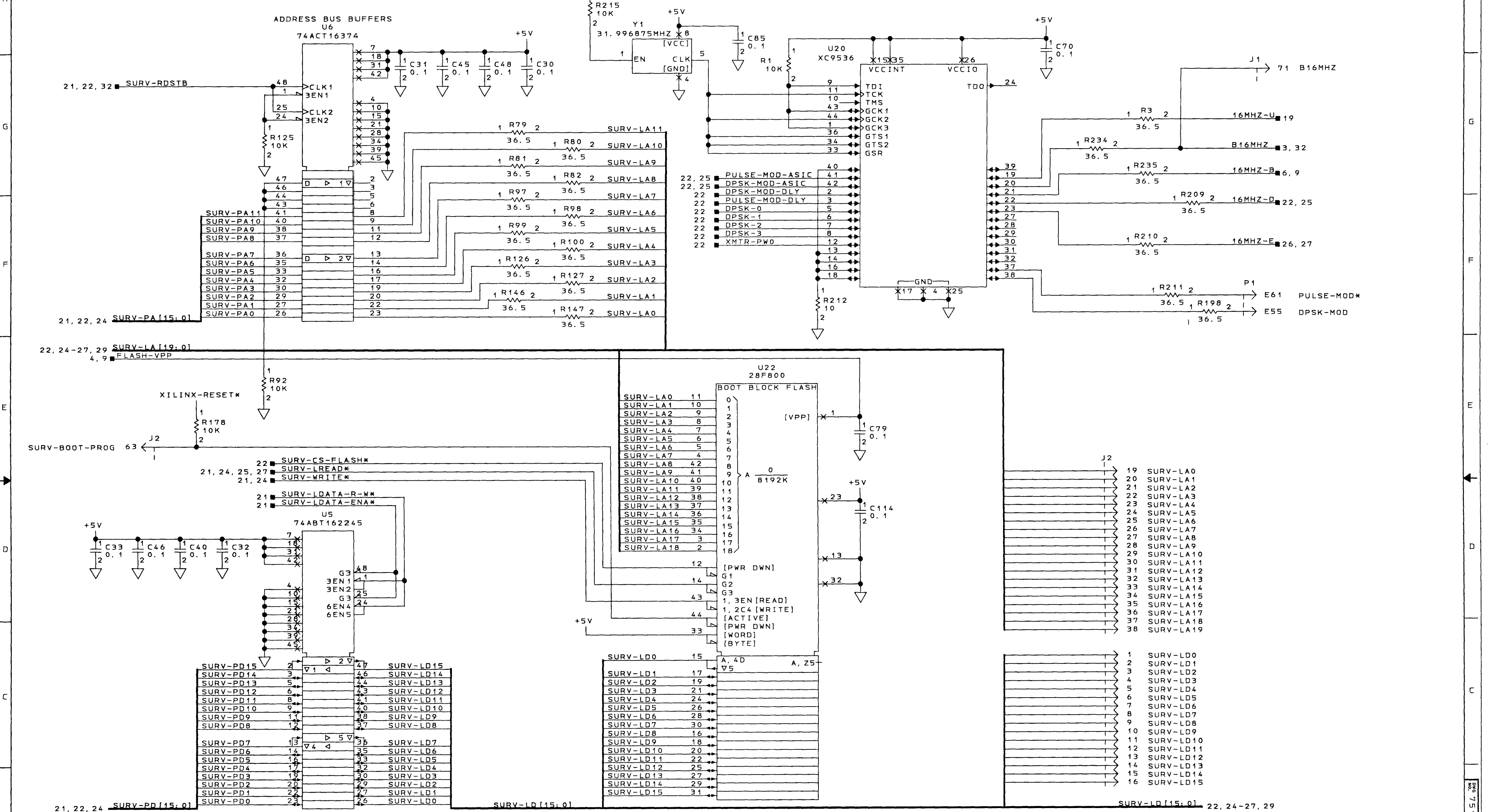


SURV CPU LOGIC AND COMPANION FUNCTION  
A2 PROCESSOR CCA  
SCHEMATIC DIAGRAM SHEET NO. 22

COMPUTER GENERATED

Honeywell	SEE FIRST SHEET FOR CONTRACT NUMBER. USE OR DISCLOSURE OF INFORMATION ON THIS SHEET IS SUBJECT TO THE RESTRICTIONS ON THE FIRST SHEET OF THIS DOCUMENT.	SIZE	CAGE CODE	DRAWING NO.	REV
		E	55939	7517925-903	-
		SCALE		SHEET 25	

ZONE	REV	DESCRIPTION	DATE	APPROVED
B		UTD SCHEM; REF DES R212 VALUE WAS 10K. SEE DWG SHEET 1.		<i>[Signature]</i> H. RICHARDS



SURV CPU FLASH EPROM MEMORY  
 A2 PROCESSOR CCA  
 SCHEMATIC DIAGRAM SHEET NO. 23

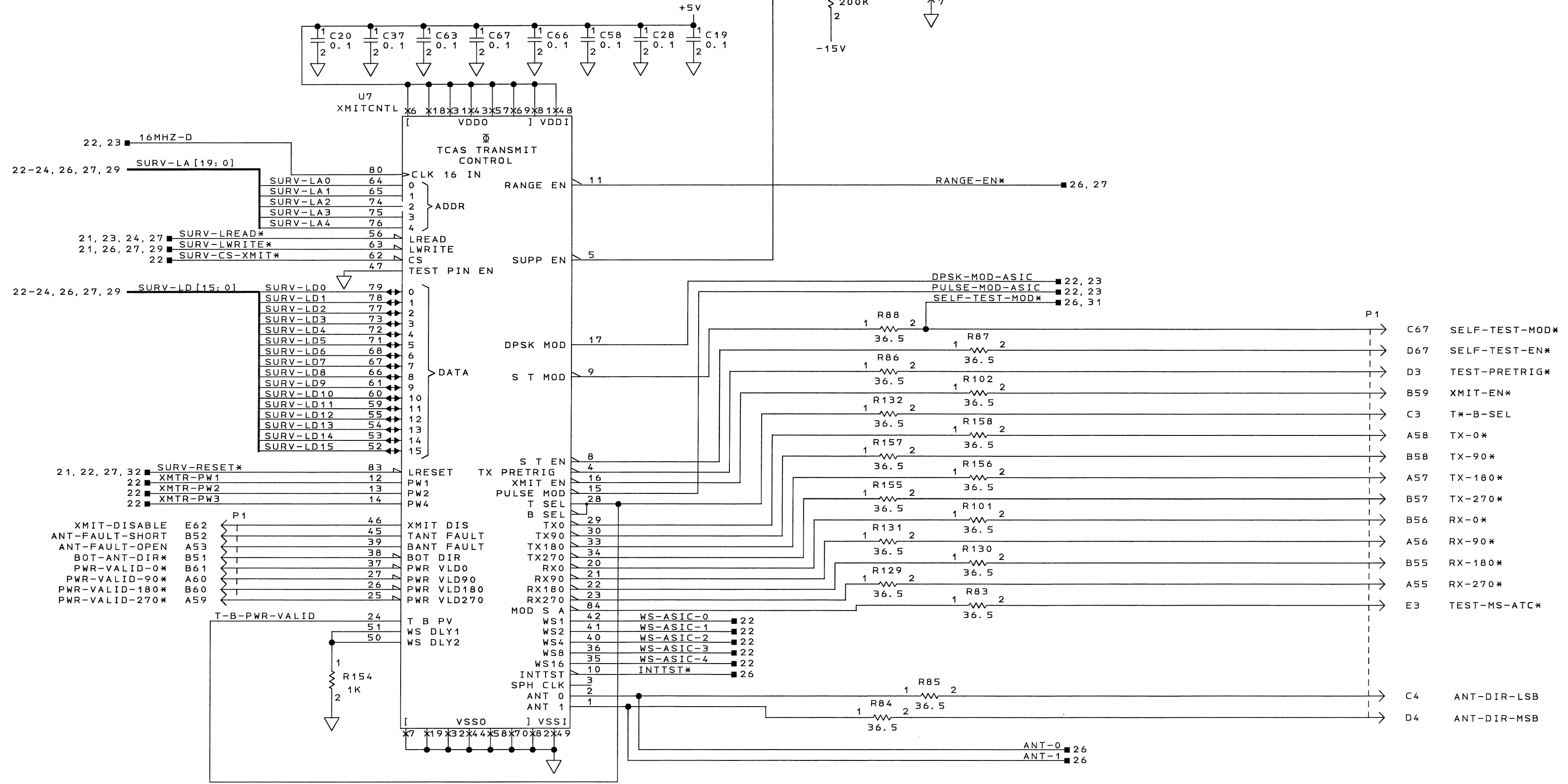
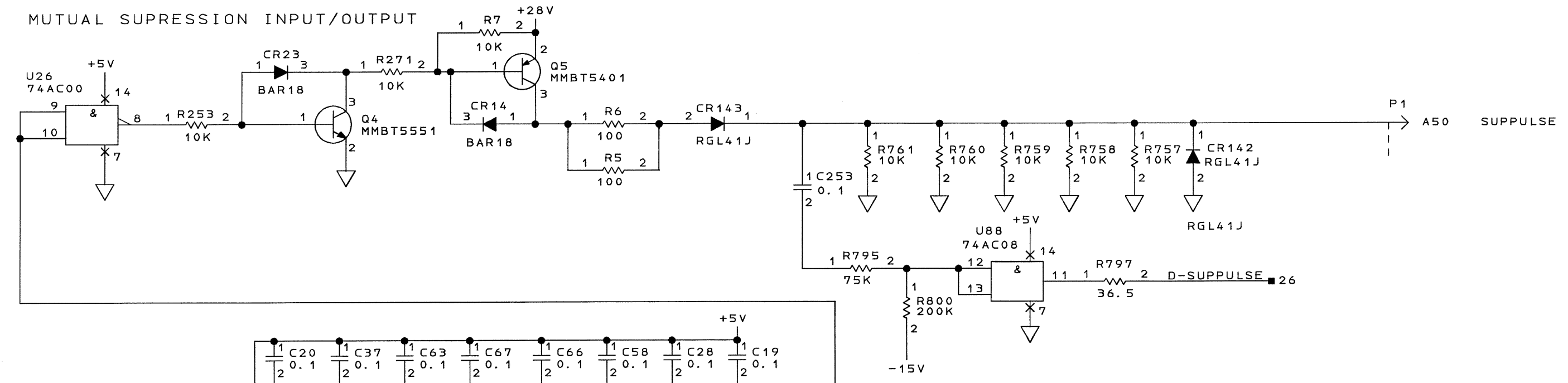
COMPUTER GENERATED

Honeywell	SEE FIRST SHEET FOR CONTRACT NUMBER. USE OR DISCLOSURE OF INFORMATION ON THIS SHEET IS SUBJECT TO THE RESTRICTIONS ON THE FIRST SHEET OF THIS DOCUMENT.	SIZE E	CAGE CODE 55939	DRAWING NO. 7517925-903	REV B
-----------	---	-----------	--------------------	----------------------------	----------





MUTUAL SUPPRESSION INPUT/OUTPUT



SURV TRANSMITTER ASIC CONTROL  
A2 PROCESSOR CCA  
SCHEMATIC DIAGRAM SHEET NO. 25

COMPUTER GENERATED