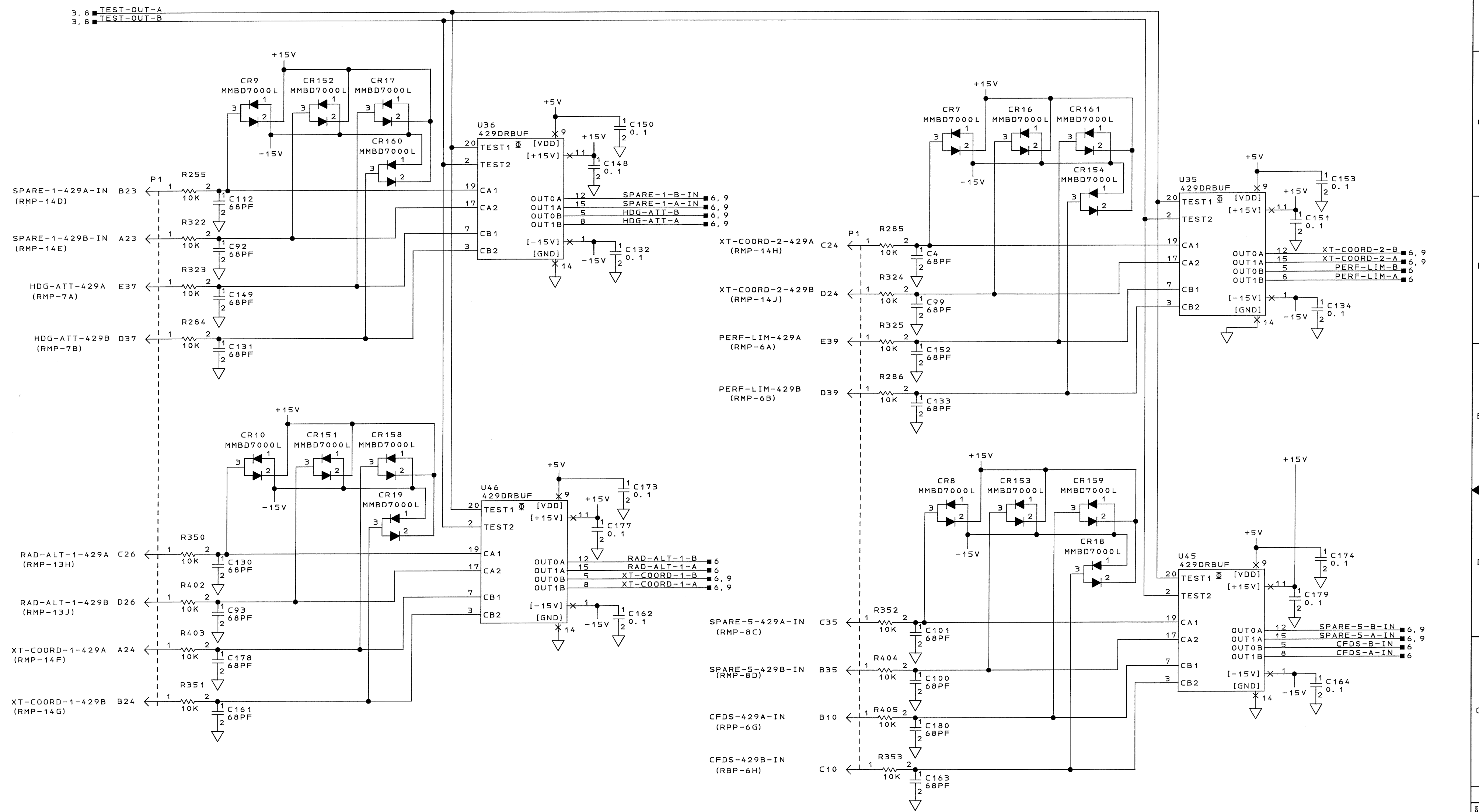


REVISIONS				
ZONE	REV	DESCRIPTION	DATE	APPROVED

ARINC 429 BUS RECEIVER BUFFERS



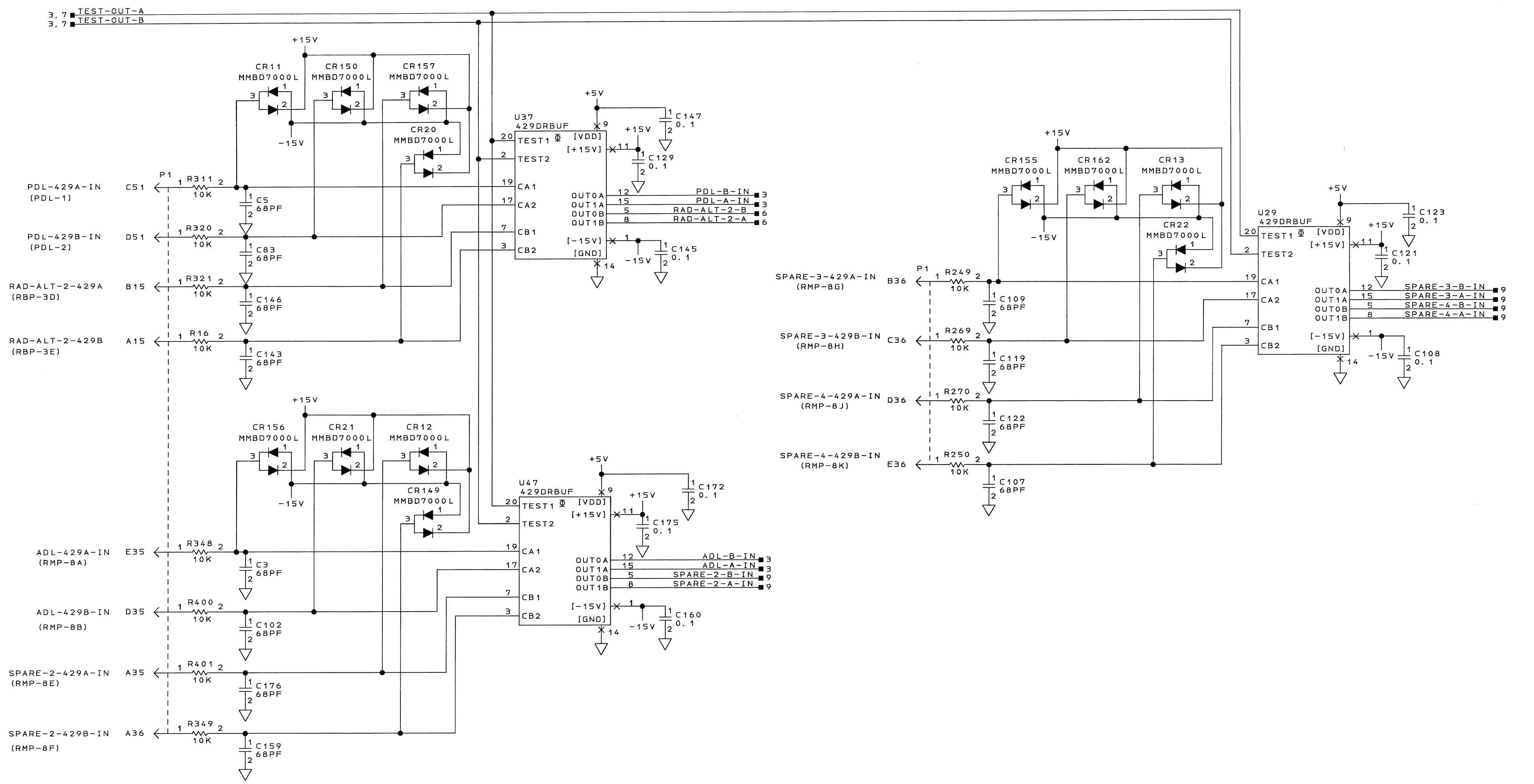
CAS CPU ARINC 429 RECEIVER BUFFERS
 A2 PROCESSOR CCA
 SCHEMATIC DIAGRAM SHEET NO. 7

COMPUTER GENERATED

Honeywell	SEE FIRST SHEET FOR CONTRACT NUMBER. USE OR DISCLOSURE OF INFORMATION ON THIS SHEET IS SUBJECT TO THE RESTRICTIONS ON THE FIRST SHEET OF THIS DOCUMENT.	SIZE	CAGE CODE	DRAWING NO.	REV
		E	55939	7517925-903	1
		SCALE			SHEET 10

REVISIONS				
ZONE	REV	DESCRIPTION	DATE	APPROVED

ARINC 429 BUS RECEIVER BUFFERS

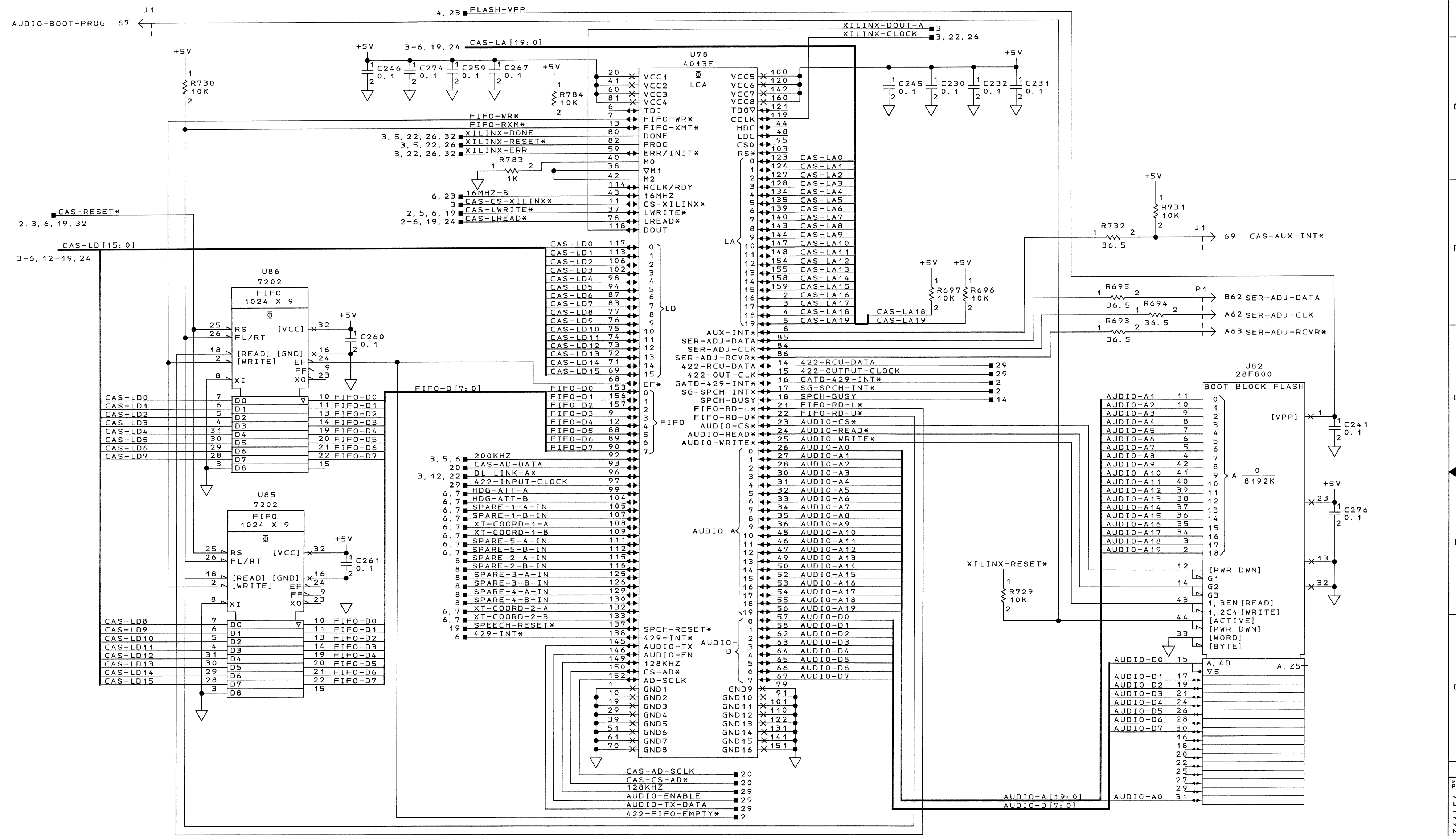


CAS CPU ARINC 429 RECEIVER BUFFERS
A2 PROCESSOR CCA
SCHEMATIC DIAGRAM SHEET NO. 8

COMPUTER GENERATED

Honeywell	SEE FIRST SHEET FOR CONTRACT NUMBER, USE OR DISCLOSURE OF INFORMATION ON THIS SHEET IS SUBJECT TO THE RESTRICTIONS ON THE FIRST SHEET OF THIS DOCUMENT.	SIZE E	CAGE CODE 55939	DRAWING NO. 7517925-903	REV -
	SCALE -	SHEET 11	DATE/TIME 1		

REVISIONS				
ZONE	REV	DESCRIPTION	DATE	APPROVED



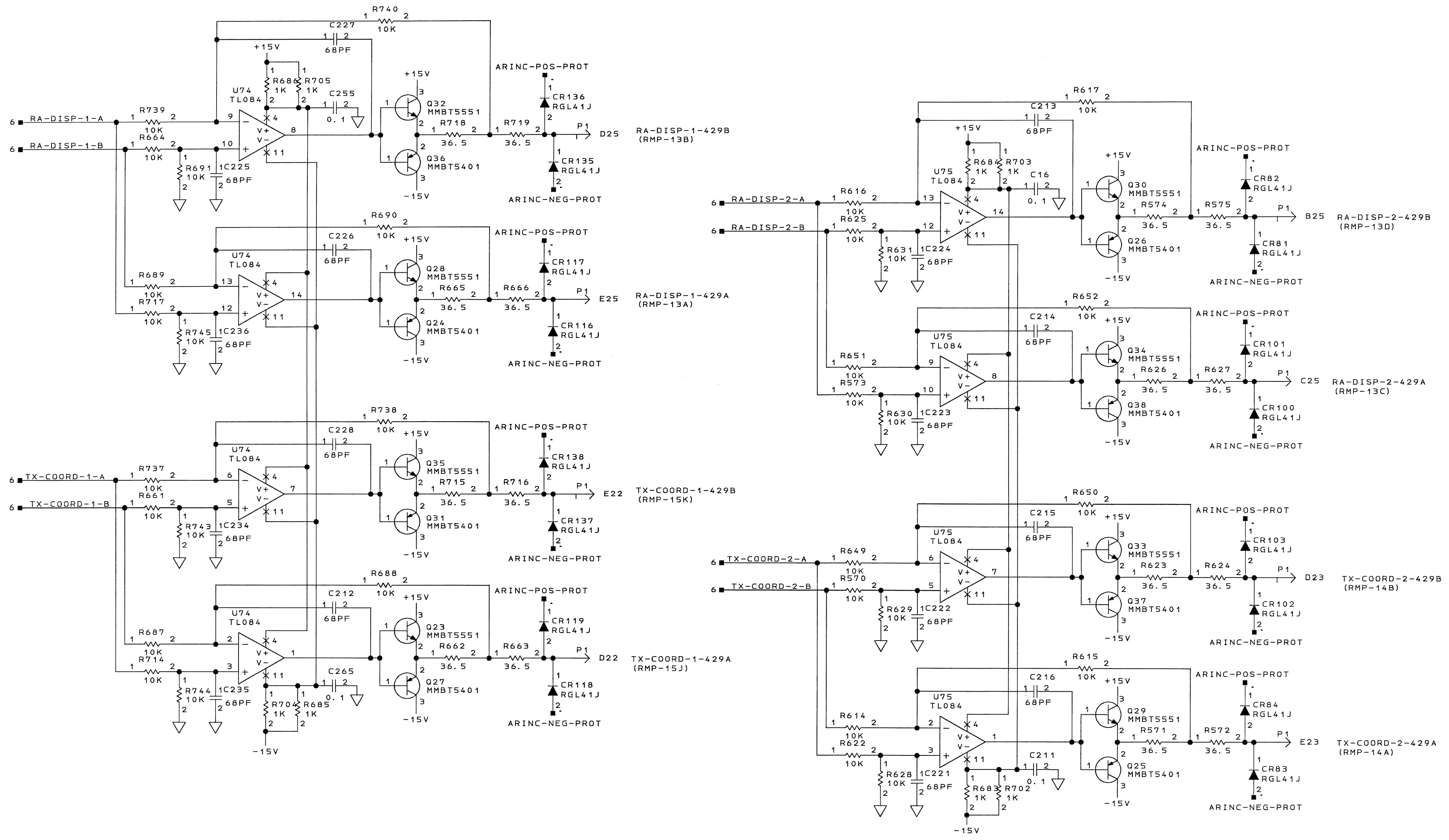
CAS CPU ARINC RECEIVER AND DIGITAL AUDIO
A2 PROCESSOR CCA
SCHEMATIC DIAGRAM SHEET NO. 9

COMPUTER GENERATED

Honeywell	SEE FIRST SHEET FOR CONTRACT NUMBER. USE OR DISCLOSURE OF INFORMATION ON THIS SHEET IS SUBJECT TO THE RESTRICTIONS ON THE FIRST SHEET OF THIS DOCUMENT.	SIZE	CAGE CODE	DRAWING NO.	REV
		E	55939	7517925-903	-
		SCALE		SHEET	12

REVISIONS				
ZONE	REV	DESCRIPTION	DATE	APPROVED

ARINC 429 TRANSMITTER BUFFERS



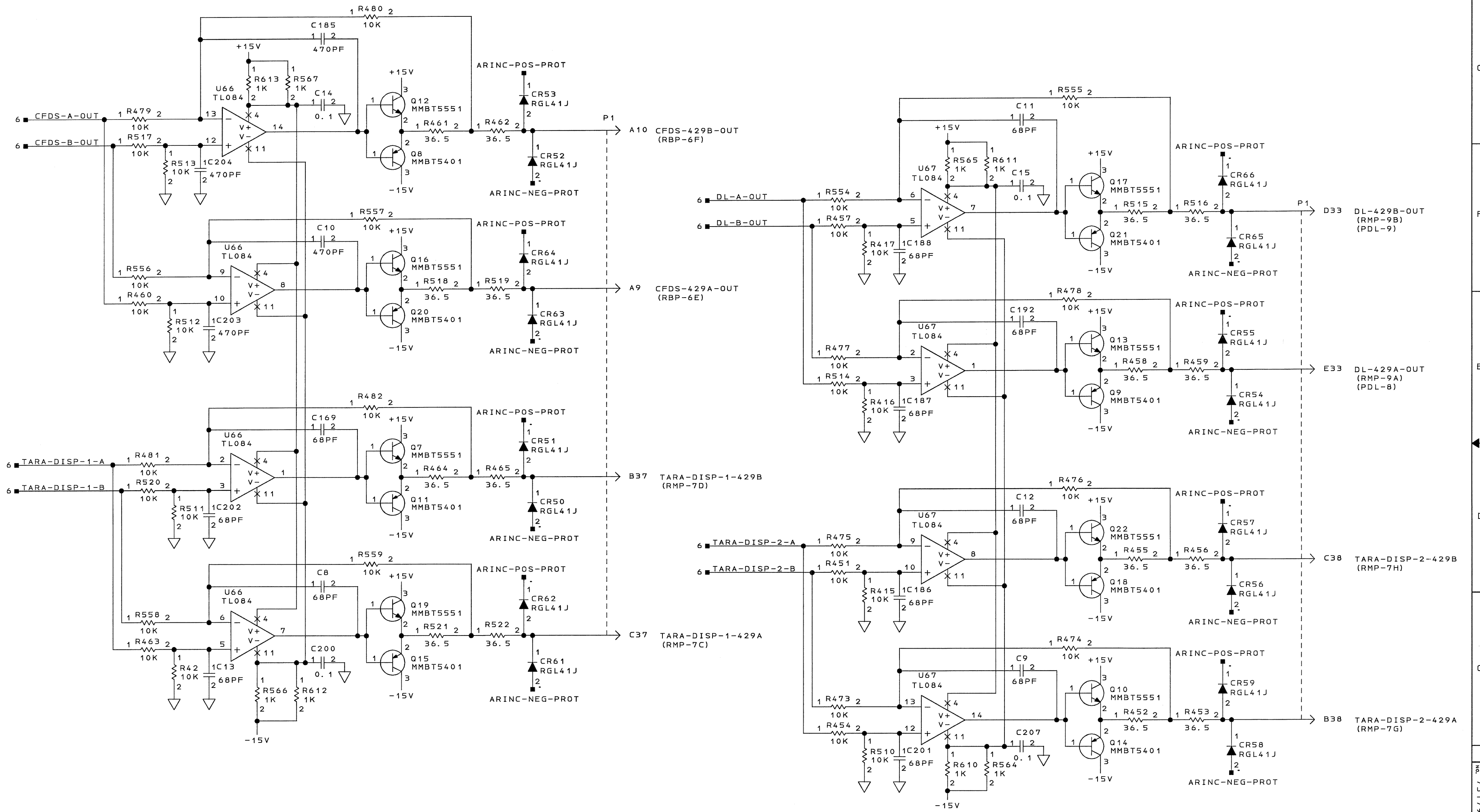
CAS CPU ARINC TRANSMITTER BUFFERS
A2 PROCESSOR CCA
SCHEMATIC DIAGRAM SHEET NO. 10

COMPUTER GENERATED

Honeywell	SEE FIRST SHEET FOR CONTRACT NUMBER, USE OR DISCLOSURE OF INFORMATION ON THIS SHEET IS SUBJECT TO THE RESTRICTIONS ON THE FIRST SHEET OF THIS DOCUMENT.	SIZE	CAGE CODE	DRAWING NO.	REV
	SCALE	E 55939	7517925-903	13	

REVISIONS				
ZONE	REV	DESCRIPTION	DATE	APPROVED

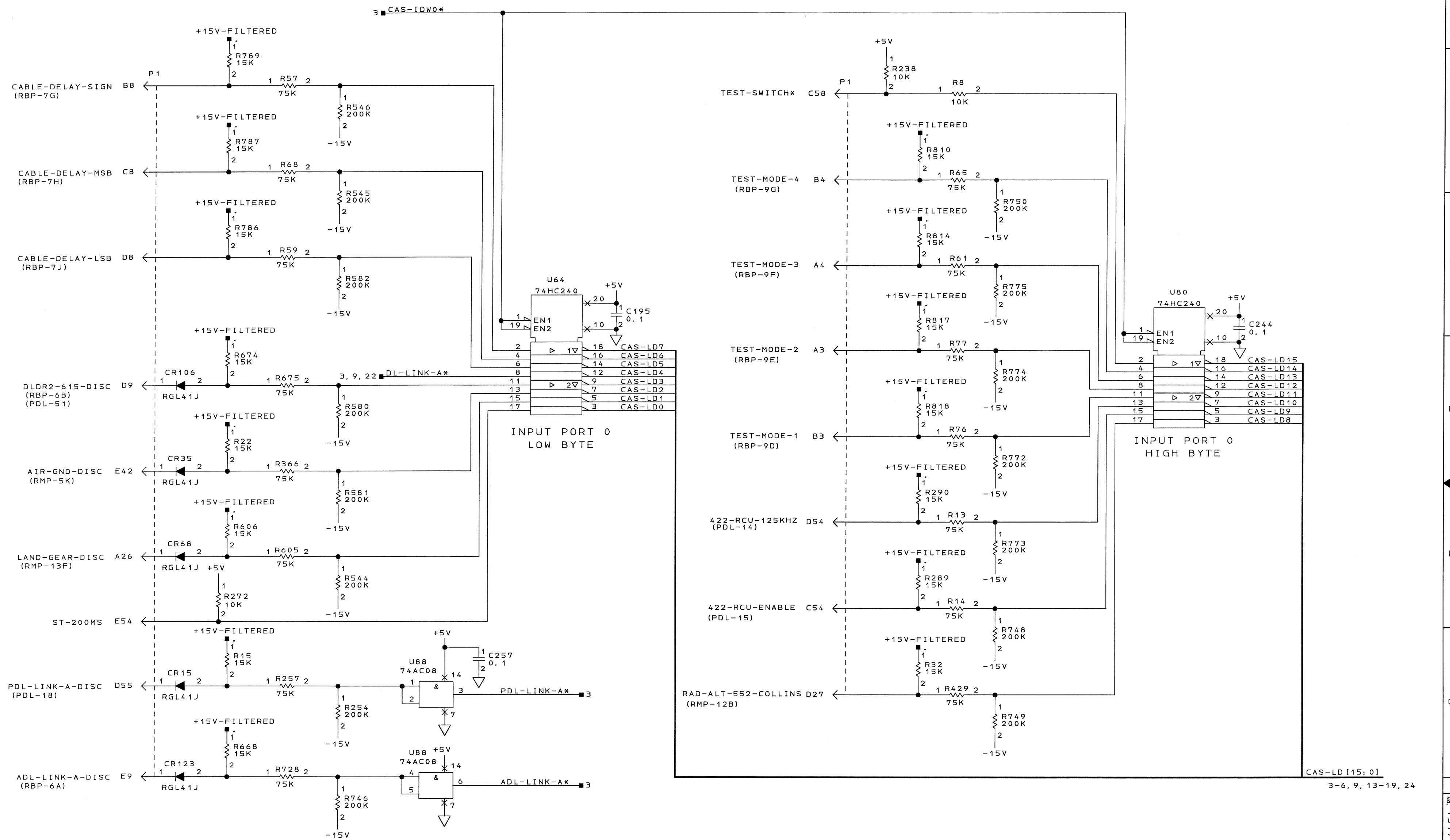
ARINC 429 TRANSMITTER BUFFERS



CAS CPU ARINC TRANSMITTER BUFFERS
 A2 PROCESSOR CCA
 SCHEMATIC DIAGRAM SHEET NO. 11

COMPUTER GENERATED

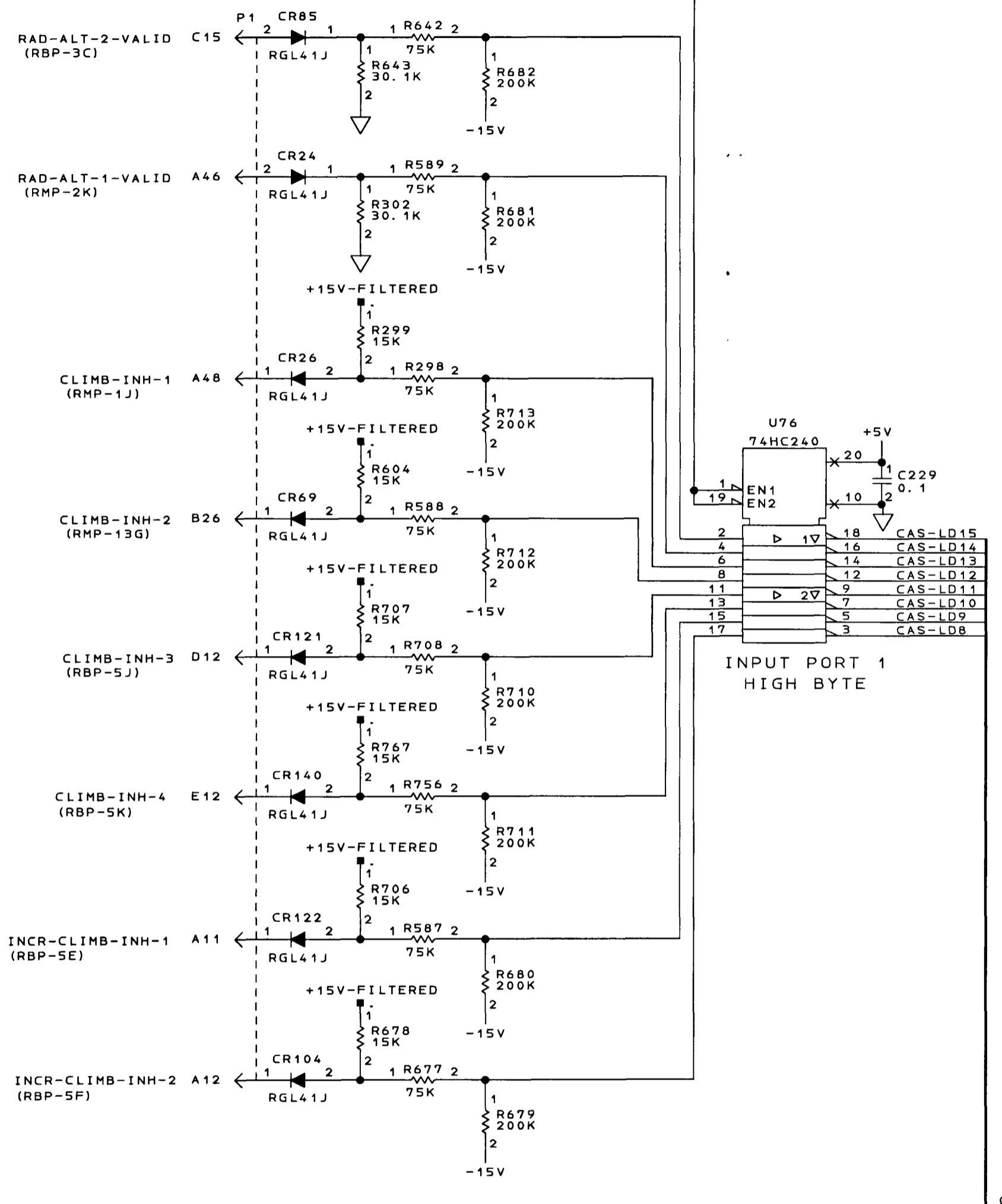
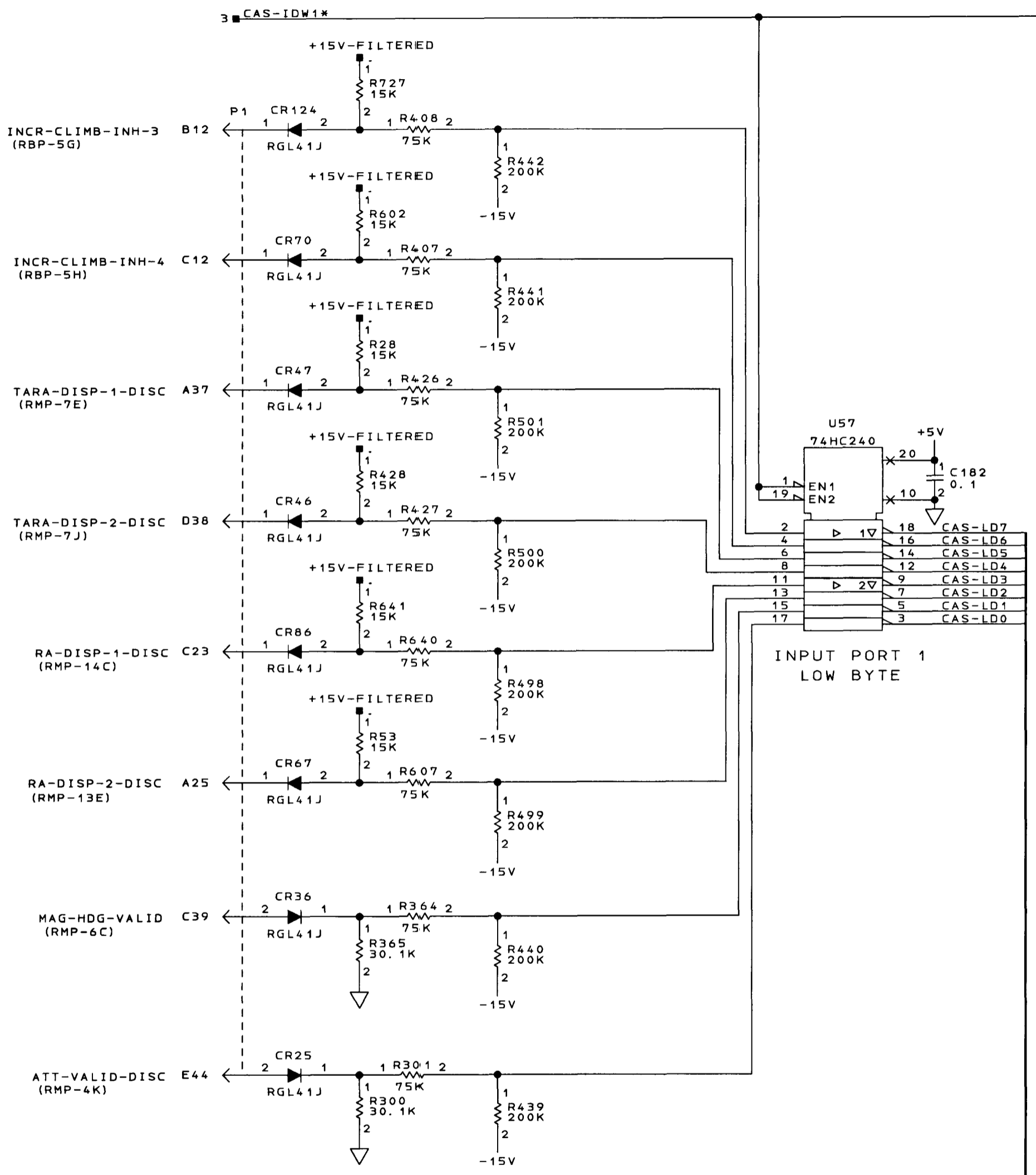
Honeywell	SEE FIRST SHEET FOR CONTRACT NUMBER. USE OR DISCLOSURE OF INFORMATION ON THIS SHEET IS SUBJECT TO THE RESTRICTIONS ON THE FIRST SHEET OF THIS DOCUMENT.	SIZE	E 55939	DRAWING NO.	7517925-903	REV	1
	SCALE						SHEET 14



CAS CPU DISCRETE INPUTS
A2 PROCESSOR CCA
SCHEMATIC DIAGRAM SHEET NO. 12

COMPUTER GENERATED

ZONE		REV	DESCRIPTION	DATE	APPROVED
E4	A		UDTD SCH: TEXT (RBP-5J) AT P1-D12 WAS (RBP-5J). 25255A (U) SEE DWG SHEET 1	27 Jun 61	R. R. Redout M. MOREAU

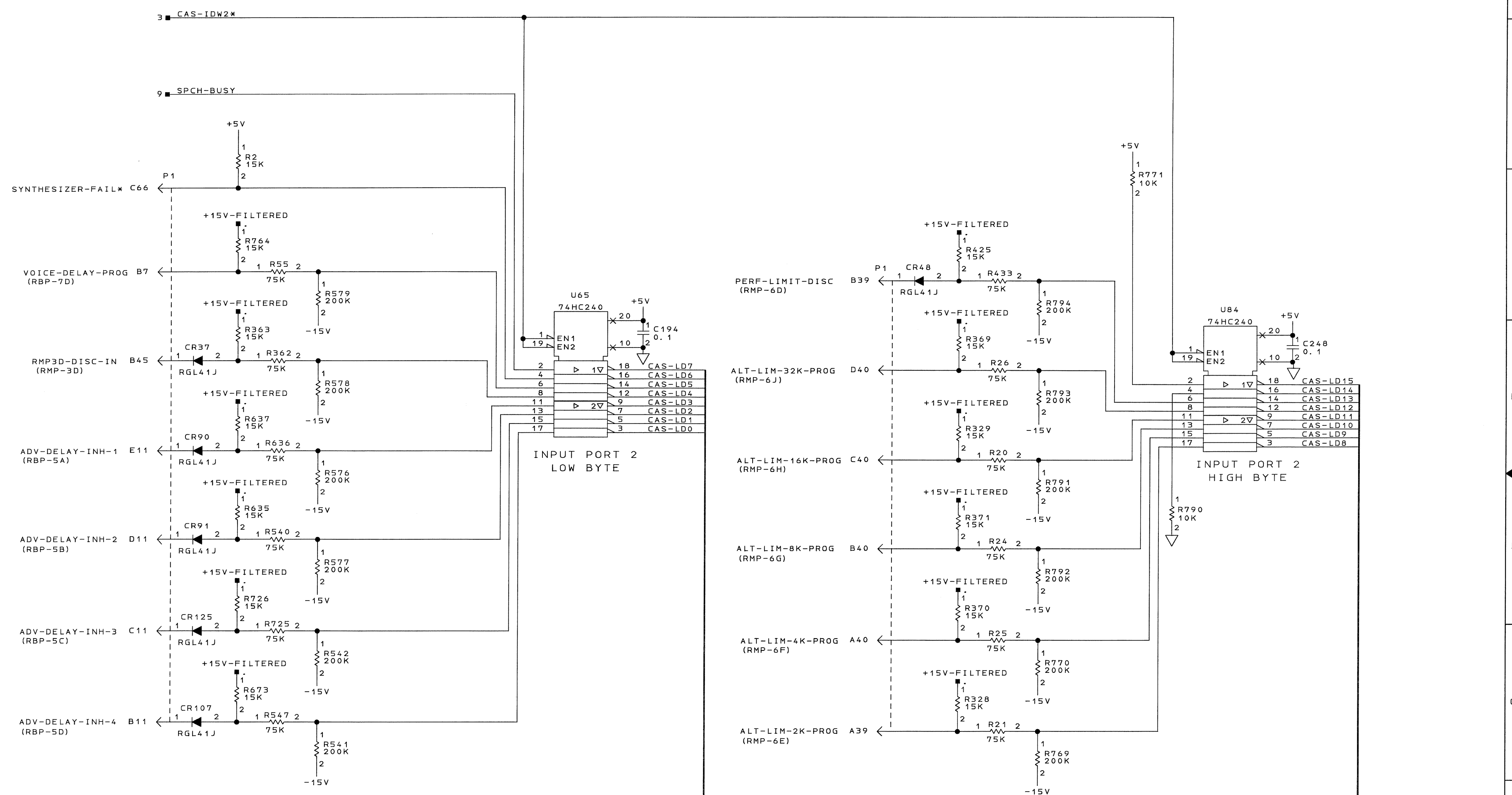


CAS CPU DISCRETE INPUTS
A2 PROCESSOR CCA
SCHEMATIC DIAGRAM SHEET NO. 13

COMPUTER GENERATED

Honeywell	SEE FIRST SHEET FOR CONTRACT NUMBER. USE OR DISCLOSURE OF INFORMATION ON THIS SHEET IS SUBJECT TO THE RESTRICTIONS ON THE FIRST SHEET OF THIS DOCUMENT.	SIZE	E 55939	CAGE CODE	7517925-903	DRAWING NO.	A
		SCALE			SHEET 16		

REVISIONS				
ZONE	REV	DESCRIPTION	DATE	APPROVED



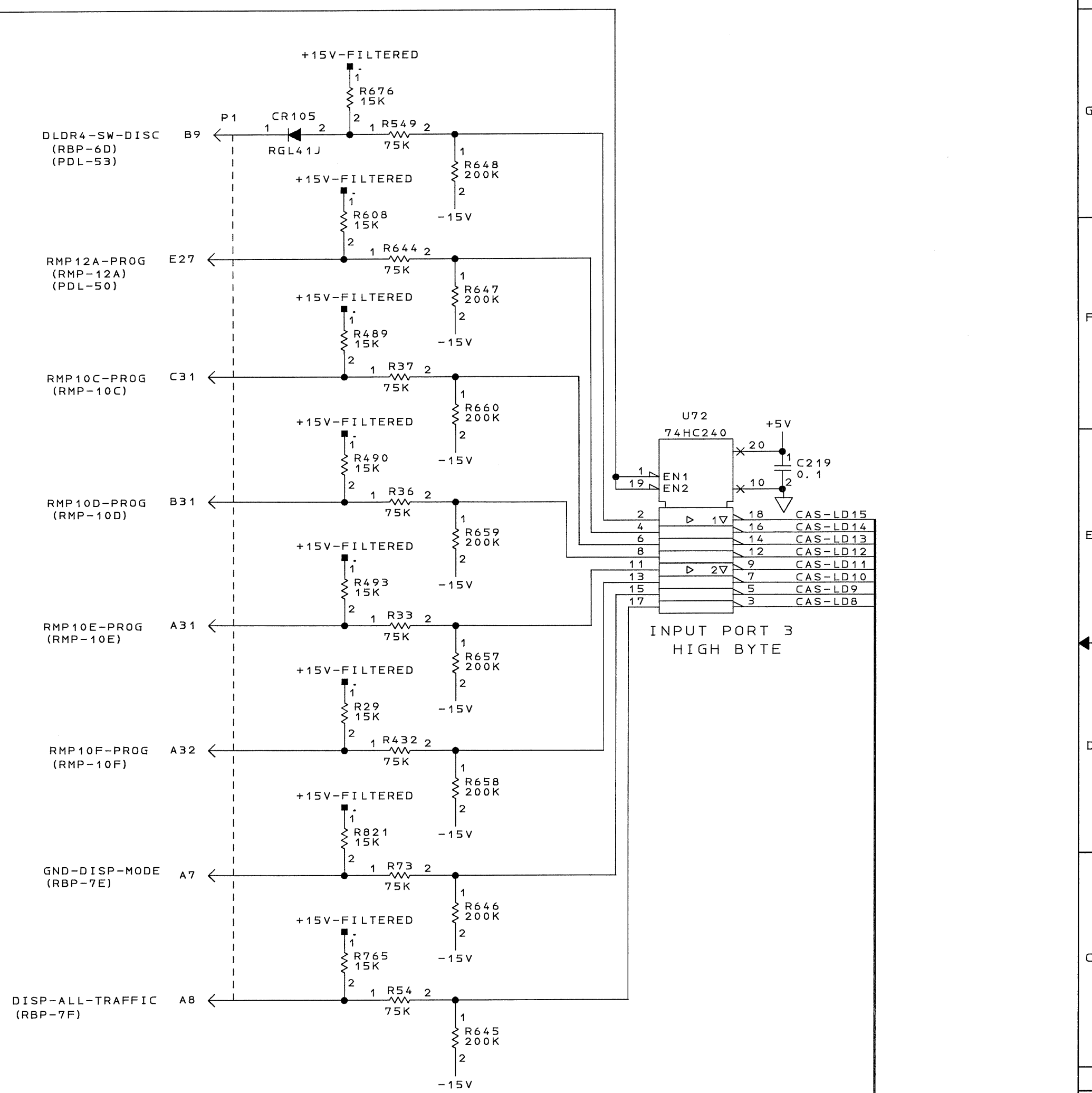
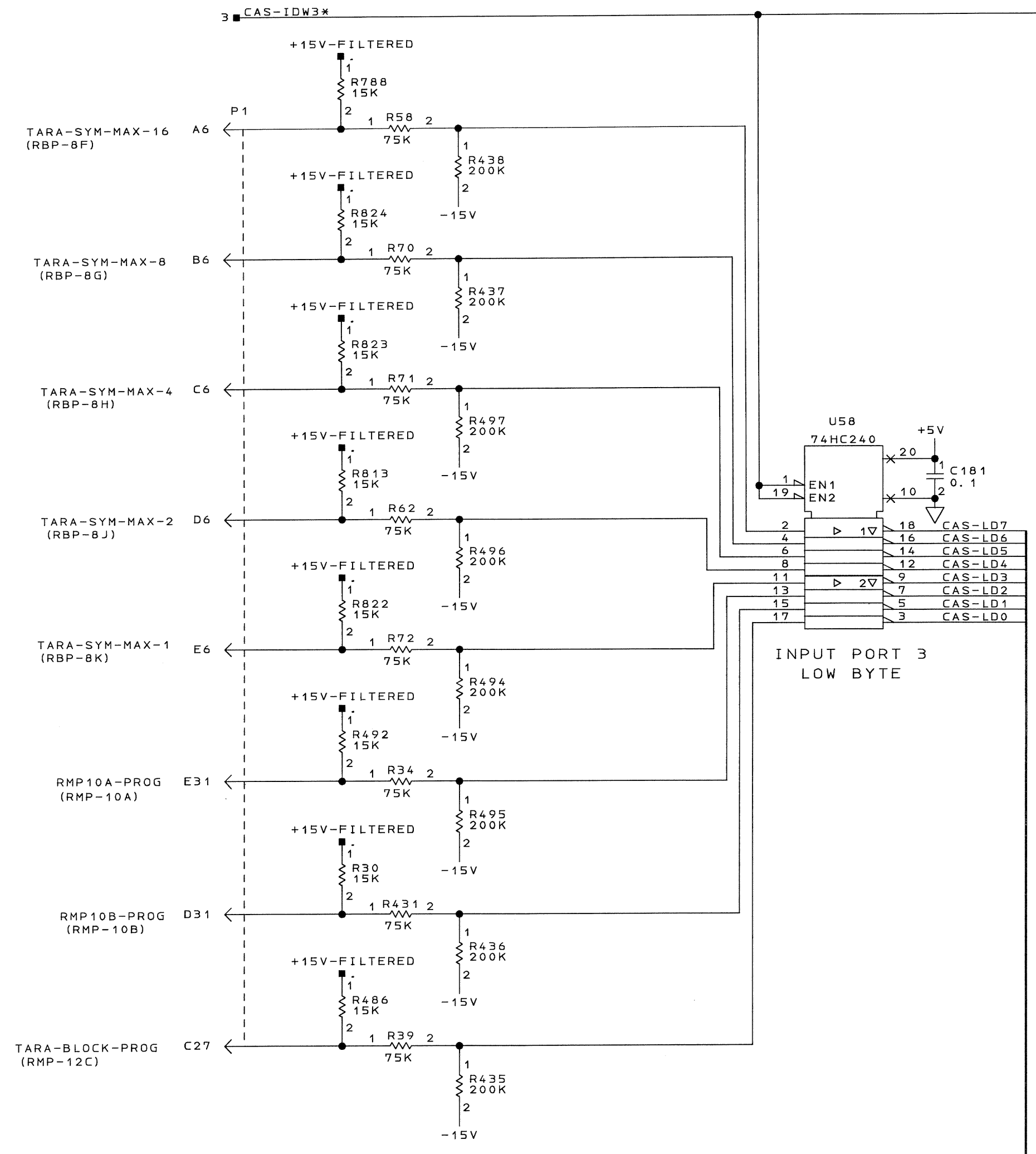
CAS-LD [15: 0]
3-6, 9, 12, 13, 15-19, 24

CAS CPU DISCRETE INPUTS
A2 PROCESSOR CCA
SCHEMATIC DIAGRAM SHEET NO. 14

COMPUTER GENERATED

Honeywell	SEE FIRST SHEET FOR CONTRACT NUMBER, USE OR DISCLOSURE OF INFORMATION ON THIS SHEET IS SUBJECT TO THE RESTRICTIONS ON THE FIRST SHEET OF THIS DOCUMENT.	SIZE	E 55939	DRAWING NO.	7517925-903	REV	-
	SCALE	-	SHEET	17	DATE/TIME		

REVISIONS				
ZONE	REV	DESCRIPTION	DATE	APPROVED



INPUT PORT 3
LOW BYTE

INPUT PORT 3
HIGH BYTE

CAS-LD [15: 0]
3-6, 9, 12-14, 16-19, 24

CAS CPU DISCRETE INPUTS
A2 PROCESSOR CCA
SCHEMATIC DIAGRAM SHEET NO. 15

COMPUTER GENERATED

Honeywell	SEE FIRST SHEET FOR CONTRACT NUMBER. USE OR DISCLOSURE OF INFORMATION ON THIS SHEET IS SUBJECT TO THE RESTRICTIONS ON THE FIRST SHEET OF THIS DOCUMENT.	SIZE E	CAGE CODE 55939	DRAWING NO. 7517925-903	REV 1
	SCALE			SHEET 18	