

REVISIONS			
ZONE	DESCRIPTION	DATE	APPROVED

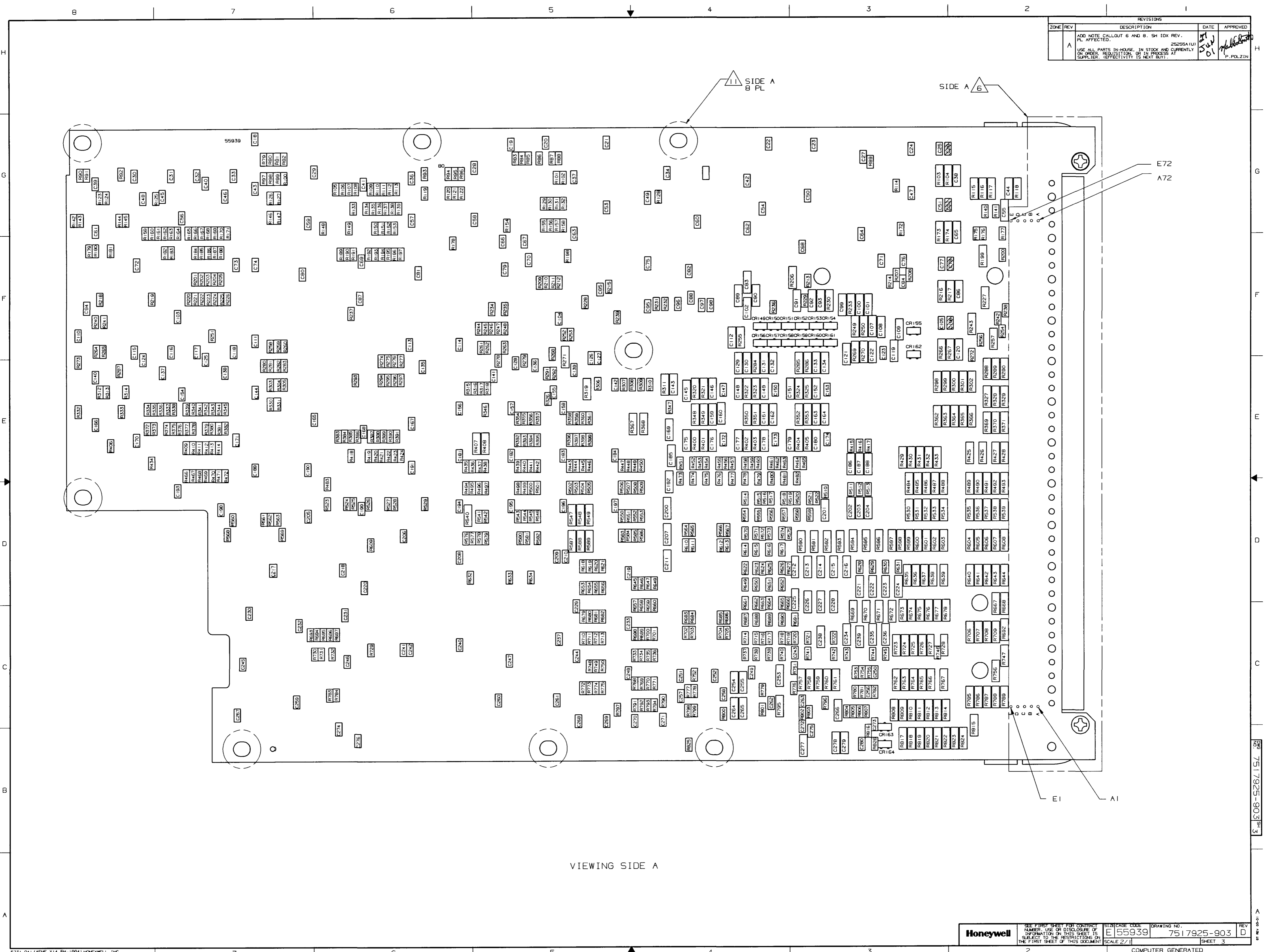


BOX .220 R MINIMUM  
SIDE B AND SIDE A

VIEWING SIDE B

	SEE FIRST SHEET FOR CONTRACT NUMBER. USE OR DISCLOSURE OF INFORMATION ON THIS SHEET IS SUBJECT TO THE RESTRICTIONS ON THE FIRST SHEET OF THIS DOCUMENT.	SIZE/CAGE CODE E 155939	DRAWING NO. 751 7925-903	REV -
	COMPUTER GENERATED		SHEET 2	

ZONE	REV	DESCRIPTION	DATE	APPROVED
A		ADD NOTE CALLOUT 6 AND 8. SH. IDX REV. PL. AFFECTED.	25/05/01	<i>[Signature]</i>
		USE ALL PARTS IN-HOUSE. IN STOCK AND CURRENTLY ON ORDER. REQUESTION, OR IN PROCESS AT SUPPLIER. EFFECTIVITY IS NEXT BUT.		P. POLZIN

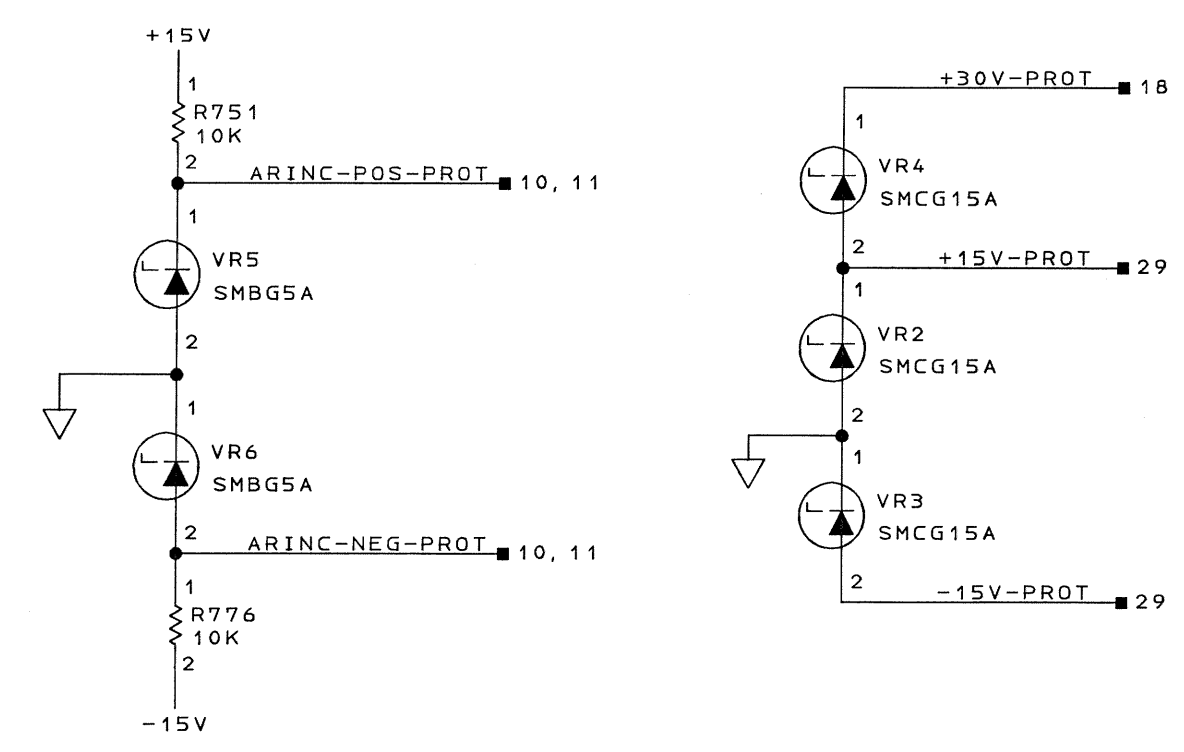
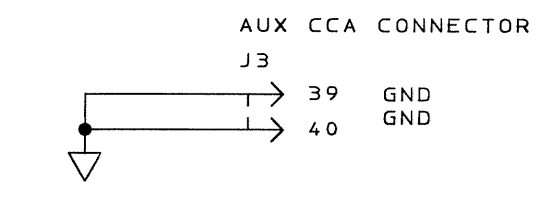
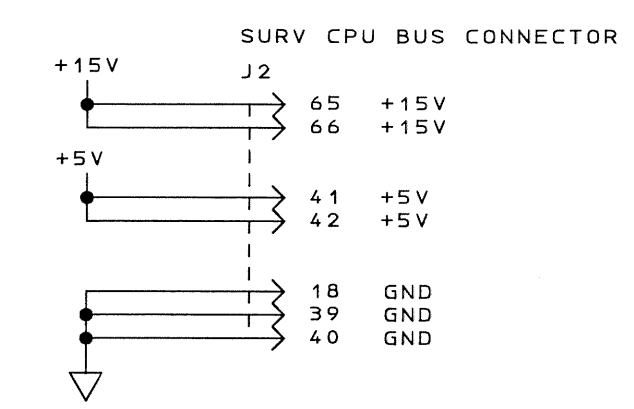
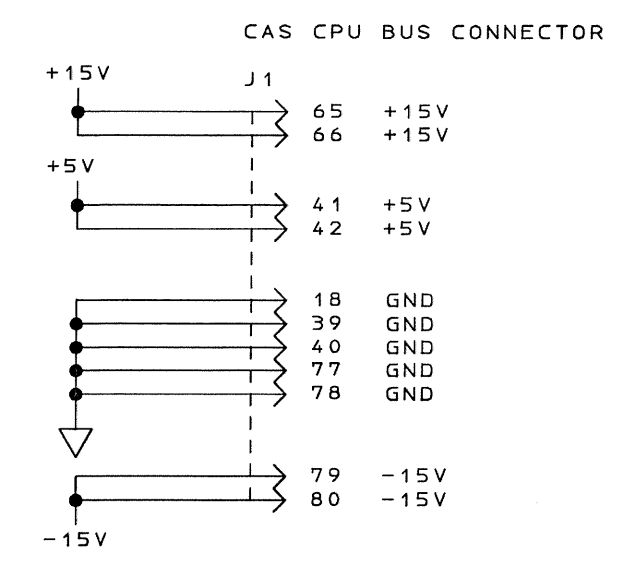
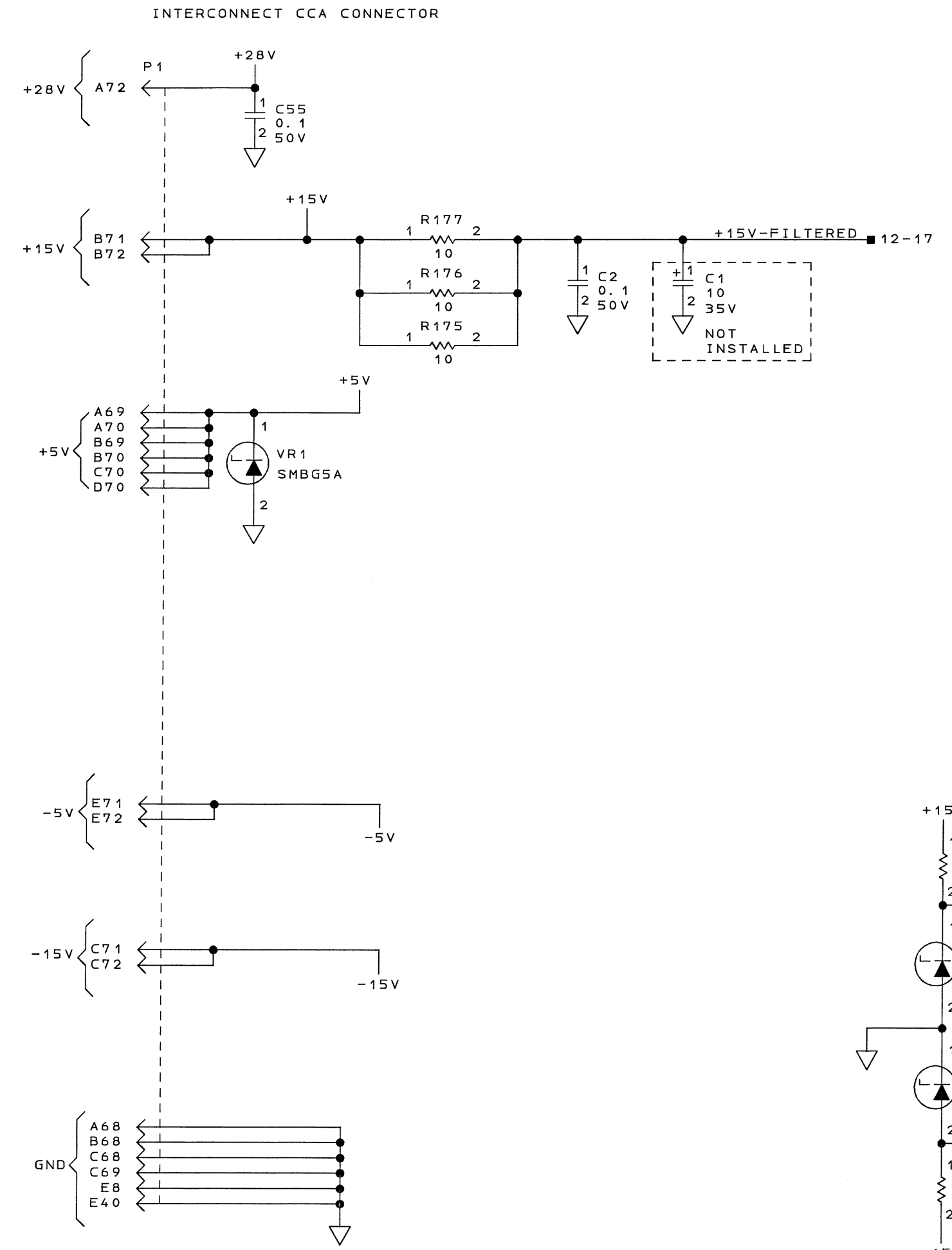


VIEWING SIDE A

<b>Honeywell</b>	SEE FIRST SHEET FOR CONTRACT NUMBER. USE OR DISCLOSURE OF INFORMATION ON THIS SHEET IS SUBJECT TO THE RESTRICTIONS ON THE FIRST SHEET OF THIS DOCUMENT.	SIZE/CAGE CODE E155939	DRAWING NO. 7517925-903	REV D
		SCALE 2/1	SHEET 3	

5231-041-00-5267-157

REVISIONS				
ZONE	REV	DESCRIPTION	DATE	APPROVED



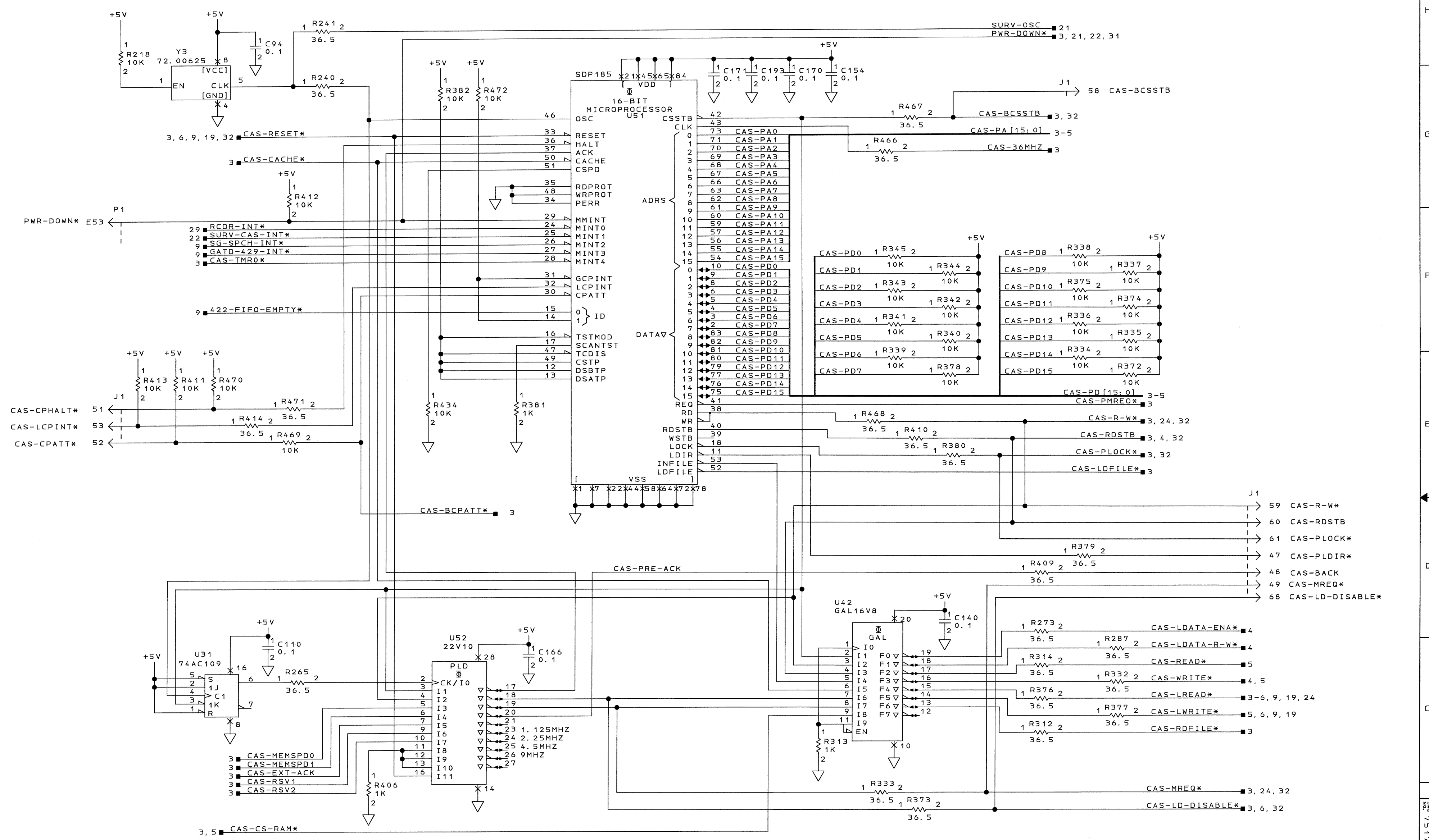
- NOTES:
- UNLESS OTHERWISE SPECIFIED:
  1. ALL CAPACITANCE VALUES ARE IN MICROFARADS.
  2. ALL RESISTANCE VALUES ARE IN OHMS.
  3. ALL INDUCTANCE VALUES ARE IN MICROHENRIES.
  4. PARTIAL REFERENCE DESIGNATIONS ARE SHOWN; FOR COMPLETE DESIGNATIONS PREFIX PART DESIGNATION WITH SUBASSEMBLY DESIGNATION.
  5. INTERPRET DRAWING PER ANSI Y32.2-1975 AND ANSI/IEEE STD 991-1986. LOGIC SYMBOLS CONFORM TO ANSI/IEEE STD 91-1984.

POWER SUPPLY INPUTS  
A2 PROCESSOR CCA  
SCHEMATIC DIAGRAM SHEET NO. 1 OF 32

COMPUTER GENERATED

Honeywell	SEE FIRST SHEET FOR CONTRACT NUMBER. USE OR DISCLOSURE OF INFORMATION ON THIS SHEET IS SUBJECT TO THE RESTRICTIONS ON THE FIRST SHEET OF THIS DOCUMENT.	SIZE	E 55939	CAGE CODE	7517925-903	DRAWING NO.	REV	SCALE	SHEET 4
-----------	---	------	---------	-----------	-------------	-------------	-----	-------	---------

REVISIONS				
ZONE	REV	DESCRIPTION	DATE	APPROVED

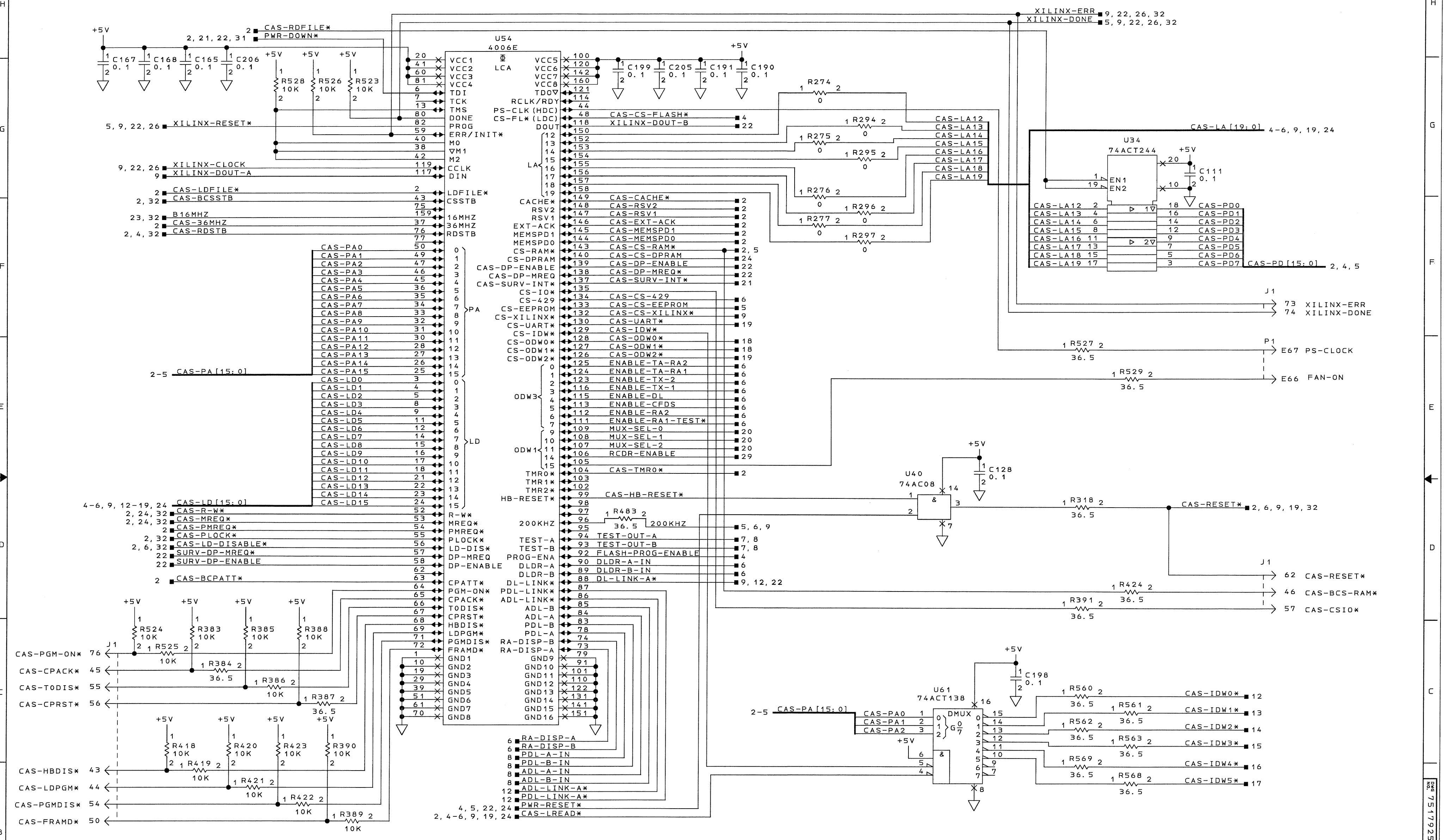


CAS CPU SDP185 PROCESSOR  
A2 PROCESSOR CCA  
SCHEMATIC DIAGRAM SHEET NO. 2

COMPUTER GENERATED

Honeywell	SEE FIRST SHEET FOR CONTRACT NUMBER. USE OR DISCLOSURE OF INFORMATION ON THIS SHEET IS SUBJECT TO THE RESTRICTIONS ON THE FIRST SHEET OF THIS DOCUMENT.	SIZE	CAGE CODE	DRAWING NO.	REV
		E	55939	7517925-903	-
		SCALE		SHEET	5

REVISIONS				
ZONE	REV	DESCRIPTION	DATE	APPROVED



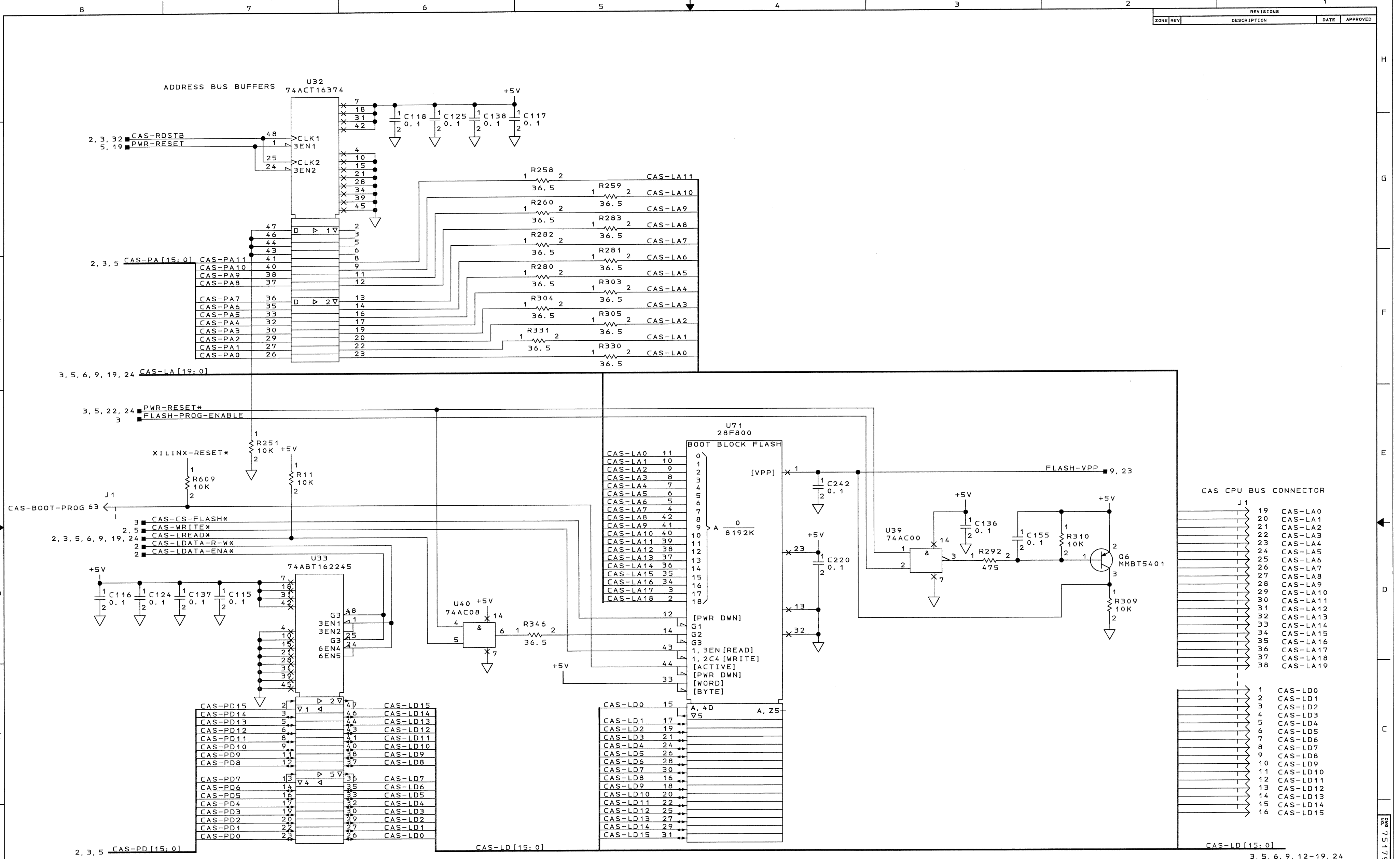
CAS CPU LOGIC AND COMPANION FUNCTION  
 A2 PROCESSOR CCA  
 SCHEMATIC DIAGRAM SHEET NO. 3

COMPUTER GENERATED

Honeywell	SEE FIRST SHEET FOR CONTRACT NUMBER, USE OR DISCLOSURE OF INFORMATION ON THIS SHEET IS SUBJECT TO THE RESTRICTIONS ON THE FIRST SHEET OF THIS DOCUMENT.	SIZE	E 55939	CAGE CODE	7517925-903	DRAWING NO.	REV
		SCALE					SHEET 6



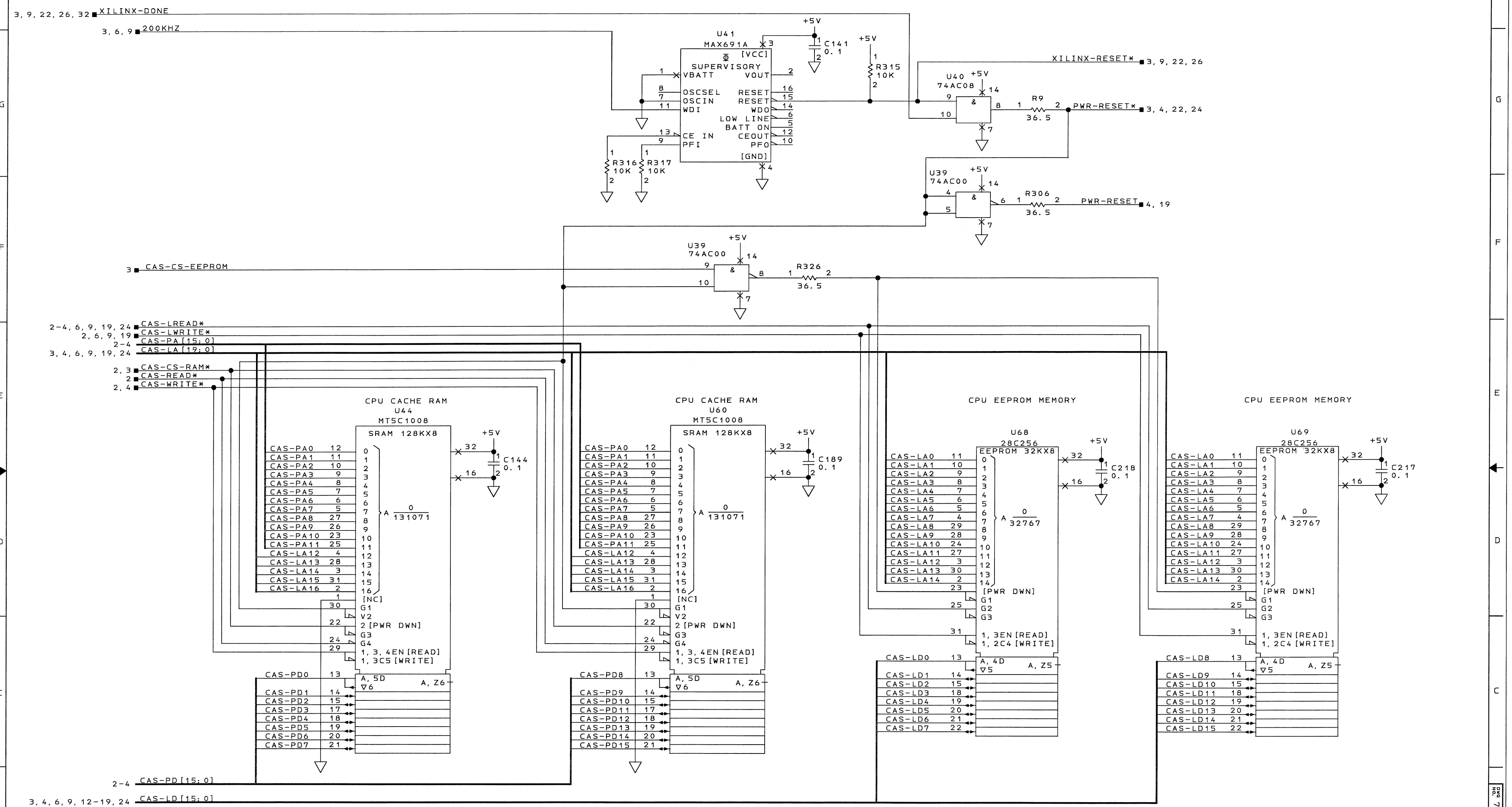
REVISIONS				
ZONE	REV	DESCRIPTION	DATE	APPROVED



CAS CPU FLASH EPROM MEMORY/POWER RESET  
A2 PROCESSOR CCA  
SCHEMATIC DIAGRAM SHEET NO. 4

COMPUTER GENERATED

Honeywell	SEE FIRST SHEET FOR CONTRACT NUMBER. USE OR DISCLOSURE OF INFORMATION ON THIS SHEET IS SUBJECT TO THE RESTRICTIONS ON THE FIRST SHEET OF THIS DOCUMENT.	SIZE E	CAGE CODE 55939	DRAWING NO. 7517925-903	REV -
	SCALE			SHEET 7	



CAS CPU RAM AND EEPROM MEMORY  
A2 PROCESSOR CCA  
SCHEMATIC DIAGRAM SHEET NO. 5

COMPUTER GENERATED


PROPRIETARY NOTICE  
THIS DOCUMENT AND THE INFORMATION DISCLOSED HEREIN ARE PROPRIETARY DATA OF HONEYWELL INC. NEITHER THIS DOCUMENT NOR THE INFORMATION CONTAINED HEREIN SHALL BE REPRODUCED, USED, OR DISCLOSED TO OTHERS WITHOUT THE WRITTEN AUTHORIZATION OF HONEYWELL INC.

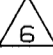
NOTICE  
FREEDOM OF INFORMATION ACT (5 USC 552) AND DISCLOSURE OF CONFIDENTIAL INFORMATION GENERALLY (18 USC 1905)  
THIS DOCUMENT IS BEING FURNISHED IN CONFIDENCE BY HONEYWELL INC. THE INFORMATION DISCLOSED HEREIN FALLS WITHIN EXEMPTION (b) (4) OF 5 USC 552 AND THE PROHIBITIONS OF 18 USC 1905.

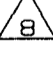
ZONE	REV	DESCRIPTION	DATE	APPROVED
		INITIAL RELEASE INCLUDING REV XA THRU XE	20DEC00	R. BACULA
A		NOTES: ADD NOTES 11 AND 12. TABLE: ADD TABLE I. SH IDX REV. PL AFFECTED. USE ALL PARTS IN-HOUSE, IN STOCK AND CURRENTLY ON ORDER, REQUISITION, OR IN PROCESS AT SUPPLIER. (EFFECTIVITY IS NEXT BUT)	25255A(1) 27JUN01	M. SMITH R. RICHARDS P. POLZIN
B		TABLE I: ADD COND. NO. 603. SH IDX REV. PL AFFECTED (A1) AFFECTS ASSEMBLIES NOT YET IN BUILD AS SOON AS MANUFACTURING DOCUMENTATION IS AVAILABLE. (A2) ASSEMBLIES IN BUILD. (A3) ASSEMBLIES IN STOCK, IN RELATED ASSEMBLIES AND (A4) ASSEMBLIES THROUGH END ITEM. (A5) INCLUDES SALES STOCK. (A3) EXCLUDES END ITEMS.	25196(1) 10 June 02	R. RICHARDS
C		SH IDX REV. PL AFFECTED ONLY. BREAK IN ON ASSEMBLIES STARTING AUGUST 19 2002 OR SOONER CAUTION: RECOMMENDED USE ON END ITEM ONLY.	24923(B) 10 June 02	R. RICHARDS

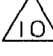
TABLE I BUSWIRE DATA				
CONDUCTOR		PWB SIDE	FROM CIRCUIT POINT	TO CIRCUIT POINT
COND. NO.	ITEM NO.			
601	705	B	U20-11	U20-44 U43-23
602	705	B	U43-26	U43-24 U43-25
603	705	B	U20-13	U20-14


NOTES:

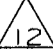
- ASSEMBLE PER ITEM 701.
- 

THIS ASSEMBLY INCLUDES COMPONENTS WHICH ARE SUBJECT TO DAMAGE BY ELECTROSTATIC CHARGES; THEREFORE, ALL COMPONENTS SHALL BE HANDLED IN ACCORDANCE WITH GUIDELINES FOR ELECTROSTATIC DISCHARGE CONTROL.
- COMPONENT LEAD PROTRUSION SHALL BE .093 MAXIMUM, BARE COPPER PERMISSIBLE ON COMPONENT LEADS AT TRIMMED SURFACES.
- MAXIMUM COMPONENT HEIGHT ON SIDE B .500, EXCEPT AREAS A SHALL BE .060 AND AREAS B SHALL BE .100. MAXIMUM COMPONENT HEIGHT ON SIDE A SHALL BE .125.
- SQUARE PADS, WHEN PRESENT, ON PRINTING WIRING BOARD INDICATE PIN 1.
- 

CONFORMAL COAT CCA PER ITEM 702. EXCEPT AREAS NOTED.
- APPLY ITEM 704 TO THE THREADS OF ITEMS 2 AND 3 PER ITEM 703. ITEM 704 SHALL NOT EXTEND PAST THE TOP SURFACE OF ITEM 3.
- 

AFTER INSTALLATION OF ITEMS 4, 5 AND 6 BACK OFF ITEM 6 1/8 OF A TURN.
- SOME COMPONENTS SHOWN OVERSIZE TO PROVIDE SPACE FOR DESIGNATORS.
- 

SHADED COMPONENTS ARE NOT INSTALLED.
- 

SURFACE AROUND MOUNTING HOLES ON SIDE A SHALL HAVE NO SOLDER PROTRUSIONS OR LUMPS GREATER THAN .005 IN HEIGHT ABOVE THE NORMAL PLATED SURFACE.
- 

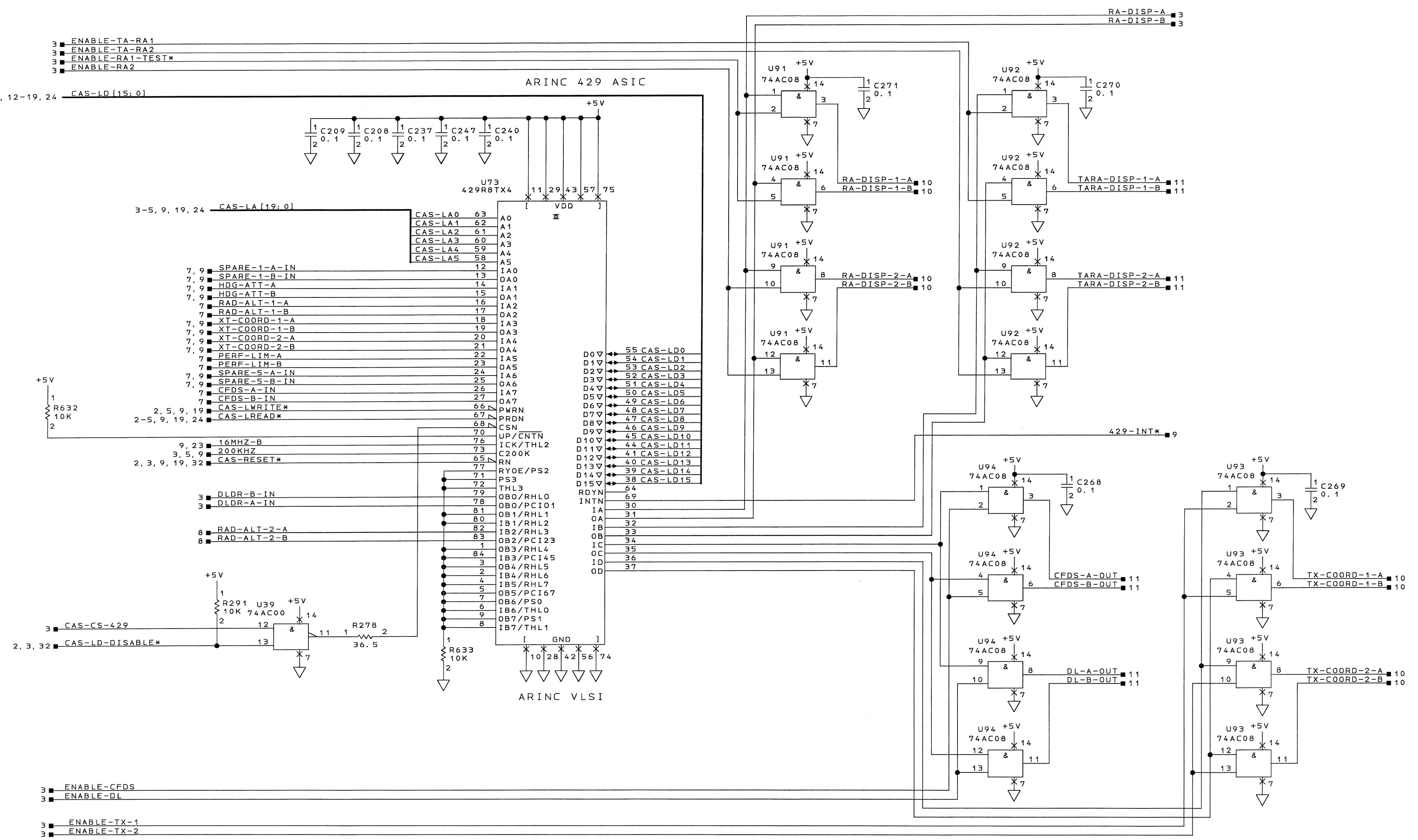
INSTALL BUS WIRES PER TABLE I, LEFT OR RIGHT, TOP OR BOTTOM AS VIEWED FROM INDICATED SIDE.

REV STATUS OF PARTS LIST SHALL BE SAME AS BASIC DRAWING NUMBER SEE SEPARATE PARTS LIST

<p>45 44 43 42 41 40 39 38 37 36 35 34 33 32 31 30 29 28 27 26 25 24 23 22 21 20 19 18 17 16 15 14 13 12 11 10 9 8 7 6 5 4 3 2 1</p>										<p>CONTRACT RT-950/951</p>		<p>OPERATIONAL NOTE</p>					
<p>FOR HONEYWELL REFERENCE</p>										<p>INTERPRET DIMENSIONS AND TOLERANCES PER ASME Y14.5M-1994</p>		<p>UNLESS OTHERWISE SPECIFIED, DIMENSIONS ARE IN INCHES: TOLERANCES: ANGLES ± 1° 2 PL DEC ± .01 3 PL DEC ± .005</p>		<p>DATE 08DEC98</p>		<p>SIMILAR ASSEMBLY</p>	
<p>MFG REF NO. A-20192</p>										<p>MATL-PROCESS-FINISH MILITARY DESIGNATION PROCESS, FINISH, SEE 00.40</p>		<p>ITEM CODE (PER ESR99394)</p>		<p>CHECKED BY V. SZWEZ DATE 08DEC98</p>		<p>Honeywell COMMERCIAL FLIGHT SYSTEMS GROUP PHOENIX, ARIZONA</p>	
<p>PRODUCT LINE NO. 3841</p>										<p>MATL</p>		<p>THIRD ANGLE PROJECTION</p>		<p>APVD FOR MFG DATE 12DEC00</p>		<p>TITLE</p>	
<p>AW/PS ANALYSIS EB 4054939</p>										<p>REF DWG REF SPEC</p>		<p>APVD FOR ENG DATE 11DEC00</p>		<p>CIRCUIT CARD ASSEMBLY - PROCESSOR A2</p>		<p>SIZE/CAGE CODE DRAWING NO. REV</p>	
<p>7517900 7517900</p>										<p>PROCESS</p>		<p>DWG CLASS A</p>		<p>E 55939 7517925-903 C</p>		<p>SCALE NONE UNIT WT SHEET 1 OF 35</p>	
<p>NEXT ASSY USED ON (SYS)</p>										<p>FINISH</p>		<p>APVD FOR ENGR DATE 11DEC00</p>		<p>7517925-903</p>		<p>COMPUTER GENERATED</p>	
<p>APPLICATION</p>										<p>FIRST USED ON 7517900</p>		<p>APVD FOR DATE</p>		<p>MAY 02 2002 richards 14:47:25</p>		<p></p>	

7517925-903 1





CAS CPU ARINC 429 RECEIVER/TRANSMITTER  
A2 PROCESSOR CCA  
SCHEMATIC DIAGRAM SHEET NO. 6

COMPUTER GENERATED

