

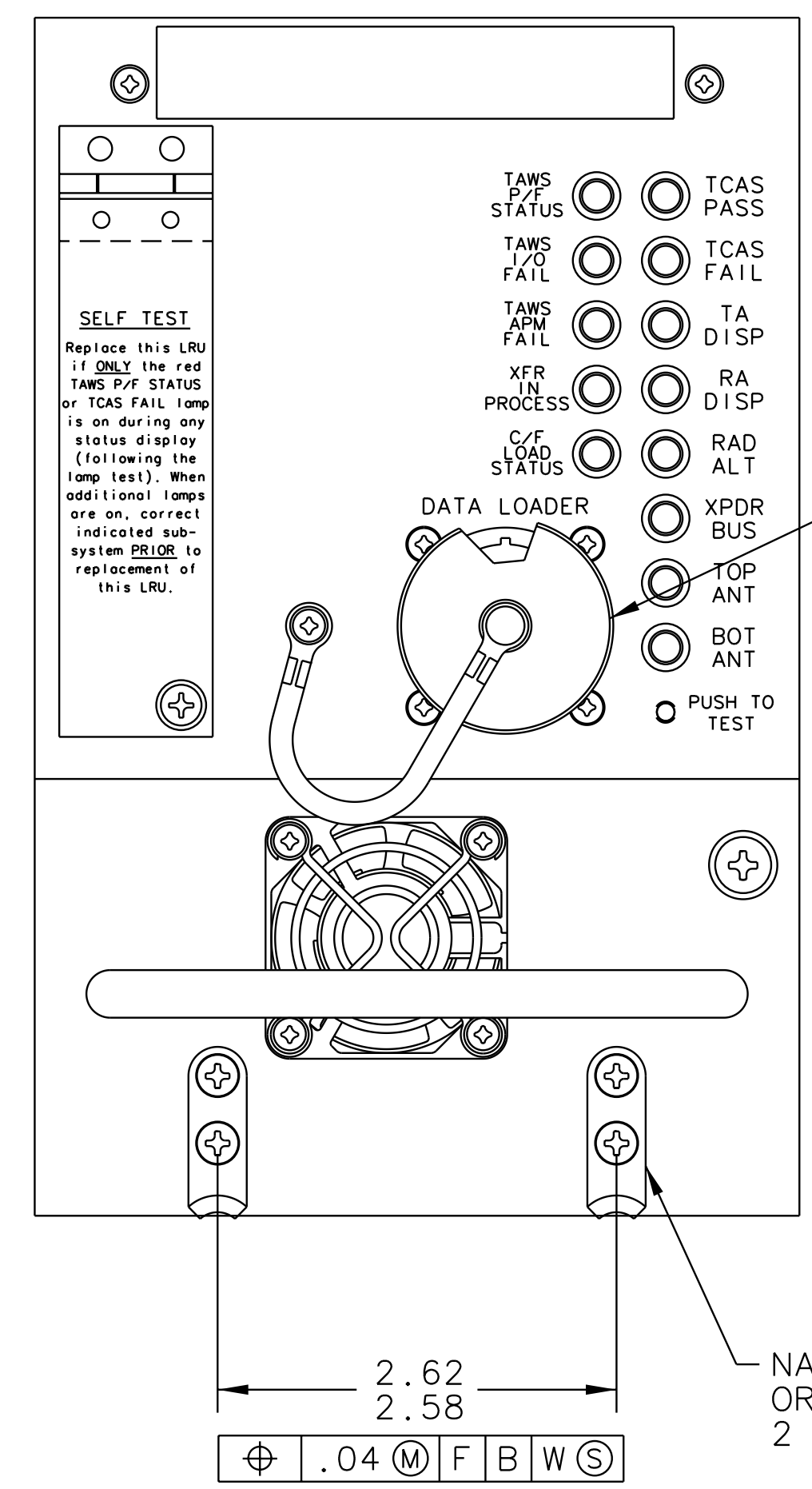
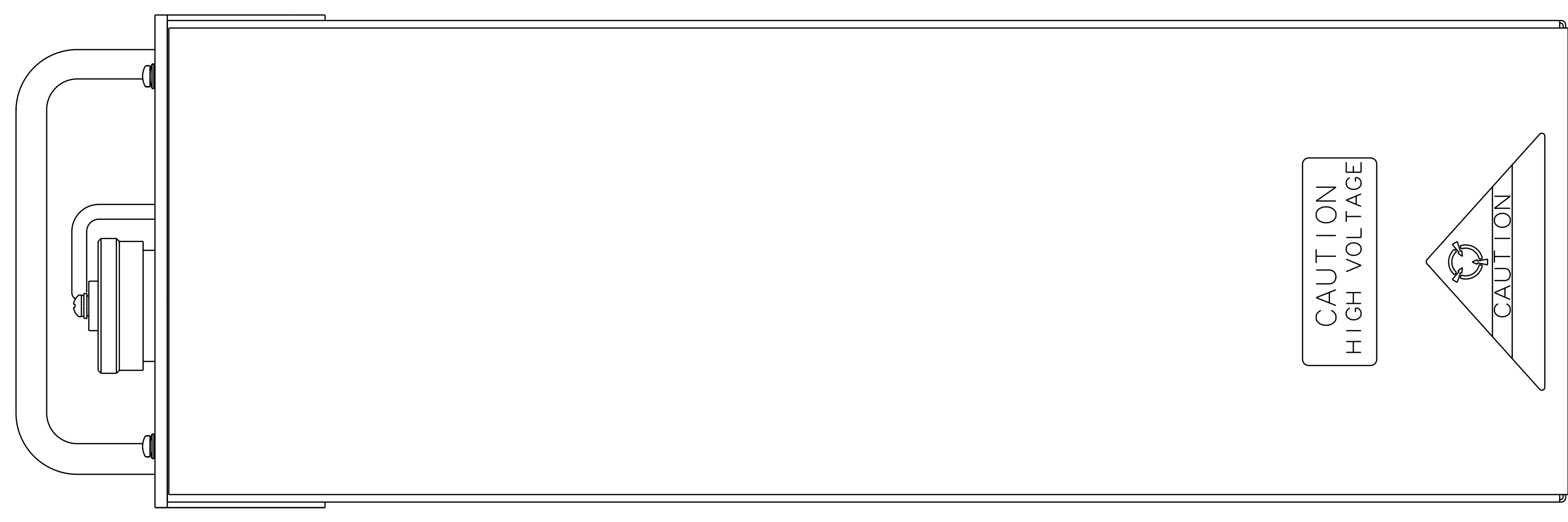
PROPRIETARY NOTICE
 THIS DOCUMENT AND THE INFORMATION DISCLOSED HEREIN ARE PROPRIETARY DATA OF ACSS, LLC. NEITHER THIS DOCUMENT NOR THE INFORMATION CONTAINED HEREIN SHALL BE REPRODUCED, USED, OR DISCLOSED TO OTHERS WITHOUT THE WRITTEN AUTHORIZATION OF ACSS, LLC

NOTICE
 FREEDOM OF INFORMATION ACT (5 USC 552) AND DISCLOSURE OF CONFIDENTIAL INFORMATION GENERALLY (18 USC 1905)
 THIS DOCUMENT IS BEING FURNISHED IN CONFIDENCE BY ACSS, LLC THE INFORMATION DISCLOSED HEREIN FALLS WITHIN EXEMPTION (b) (4) OF 5 USC 552 AND THE PROHIBITIONS OF 18 USC 1905.

REVISONS		DESCRIPTION
CRNO.	REV	
	-	INITIAL RELEASE
5570	A	SEE DESCRIPTION PER CHANGE REQUEST

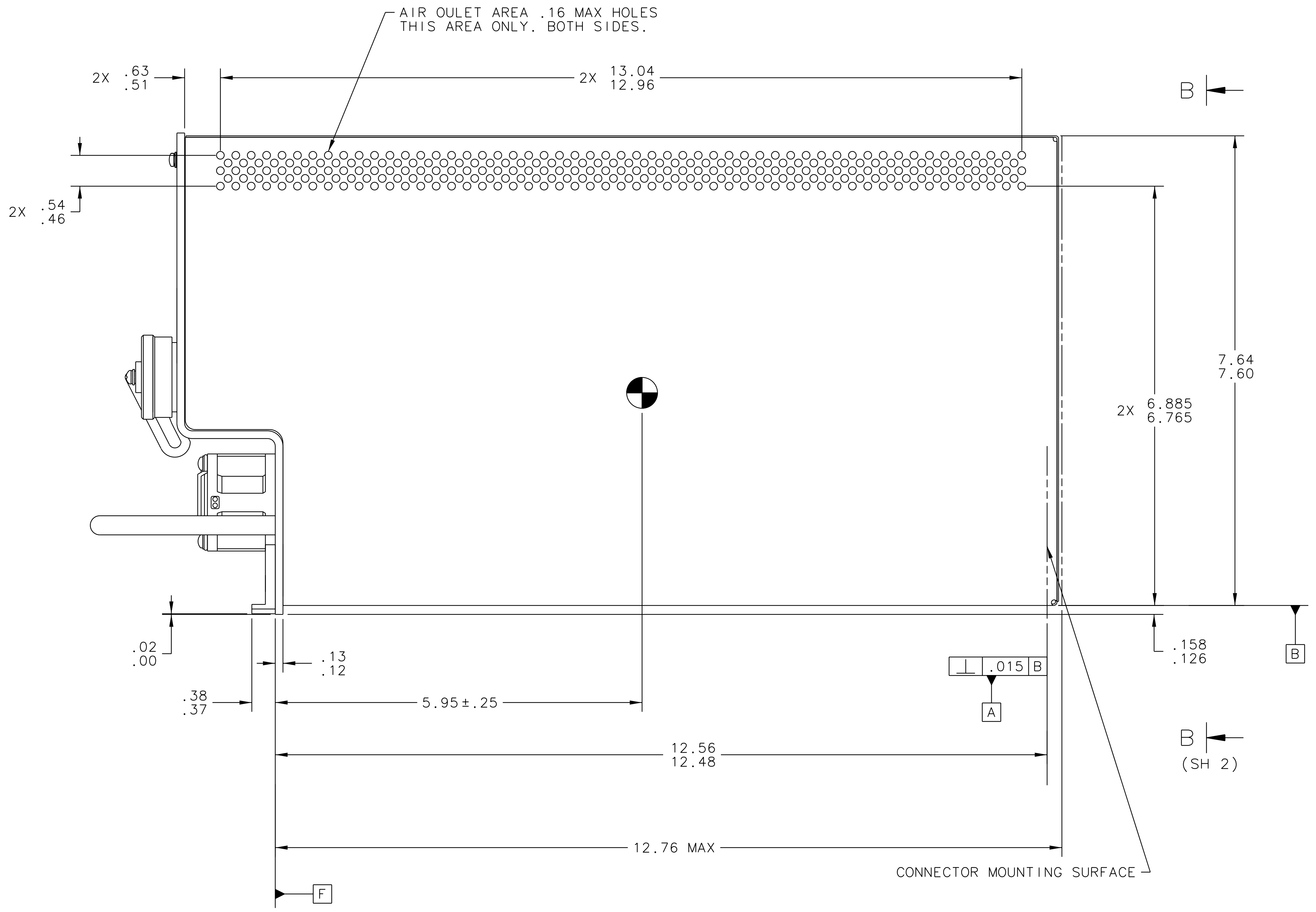
11-08-02

C
 C (SH 2)



J1 CONNECTOR ACSS
 PART NO. 4008114-160
 MS27508E18B53S
 MATES WITH ACSS
 PART NO. 4004295-160
 ITT PART NO. KJ6F18A53P

NAS622 TYPE T HOOK OR EQUIVALENT 2 PLACES



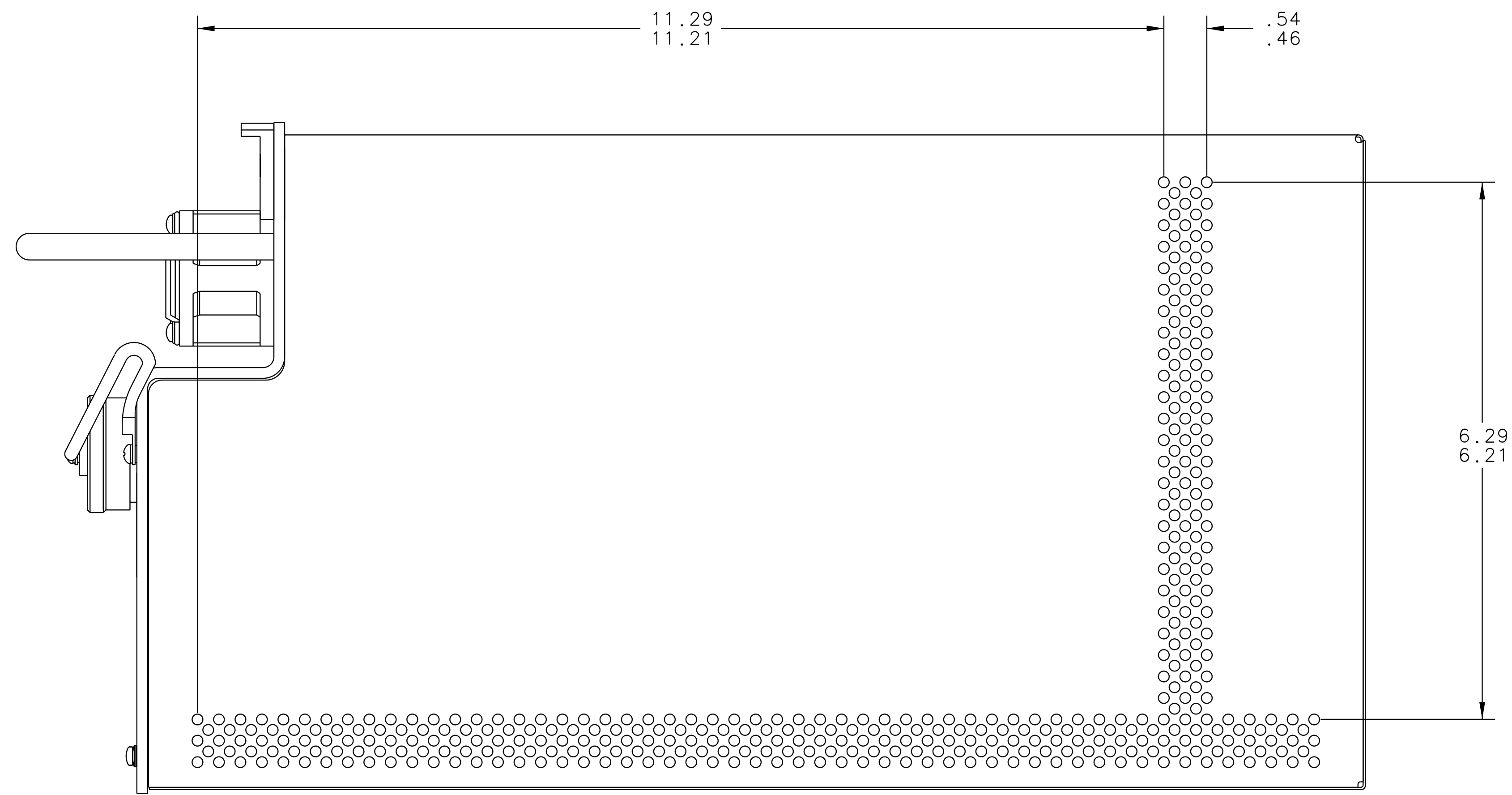
- NOTES:
- UNIT WEIGHT:
 UNIT PART NUMBER 9000000-55001 (28 VOLT UNIT) NOMINAL 14.71 POUNDS/MAXIMUM 15.15 POUNDS (6.67/6.87 KILOGRAMS).
 - ☉ DENOTES APPROXIMATE CENTER OF GRAVITY.
 - ⬛ DARKENED PORTION INDICATES SOLID PART OF POLARIZING KEYWAY.
 - THE INSTALLATION IS IN ACCORDANCE WITH ARINC 600 4 MCU EXCEPT LOCATION OF AIR OULET HOLES.
 - DIMENSIONS ARE IN INCHES. SEE METRIC CONVERSION TABLE FOR CORRESPONDING DIMENSIONS IN MILLIMETERS.
 - THE UNIT IS SUPPLIED WITH A FAN. TO INSURE ADEQUATE COOLING PROVIDE .50 MINIMUM SPACING TO UNITS ON EITHER SIDE.
 - THIS DRAWING DEFINES END UNIT 9000000-YYTZZ.
 YY = HARDWARE CONFIGURATION FROM 10 THROUGH 99.
 T = TCAS SOFTWARE CONFIGURATION FROM 0 THROUGH 9.
 ZZ = TAWS CONFIGURATION FROM 01 TO 99.
 - UNIT FINISH: CHEM FILM TREATED OVER BARE ALUMINUM.
 - .10 MAX REAR PANEL THICKNESS IS REQUIRED IN CONNECTOR MOUNTING AREA DEFINED AS ZONE A. NO OTHER PROJECTIONS EXCEPT CONNECTOR MOUNTING HARDWARE ARE PERMITTED IN AREA DEFINED AS ZONE A.

THIS SHEET FOR END UNIT 9000000-55001

UNLESS OTHERWISE SPECIFIED, DIMENSIONS ARE IN INCHES: TOLERANCES: ANGLES ± - 2 PL DEC ± - 3 PL DEC ± -		THIRD ANGLE PROJECTION	OPERATIONAL NOTE
INTERPRET DIMENSIONS AND TOLERANCES PER AMSE Y14.5M-1994			Aviation Communication & Surveillance Systems 19810 North 71st Avenue Phoenix, Arizona 85027-4400
FOR REFERENCE			
ORIGINAL C.R.		TITLE	
PRODUCT LINE NO.		OUTLINE AND INSTALLATION OF - T2CAS	
AW/PS ANALYSIS EB		DRAWING NO.	
9000000-55001	9000000-55001	E11WYD31 9000027-001 A	
9000000-20001	9000000-20001	SCALE NONE	
9000000-10001	9000000-10001	SHEET 1 OF 6	
NEXT ASSY	END ITEM	APPLICATION	

CRNO.	REV	DESCRIPTION	REVISIONS
5570	A	SEE DESCRIPTION PER CHANGE REQUEST	11-08-02

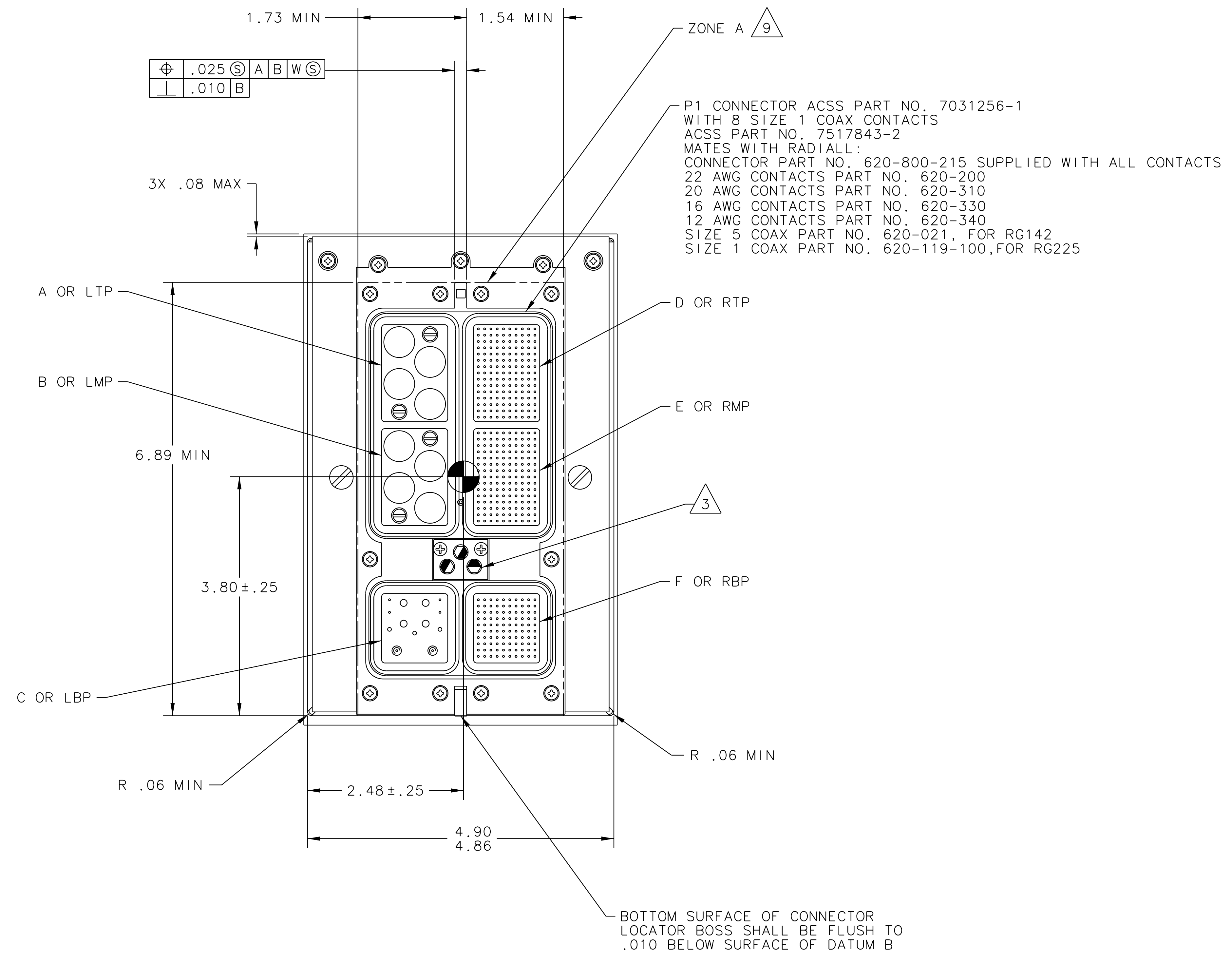
CONVERSION TABLE	
INCHES	MILLIMETERS
.005	.127
.010	.254
.015	.381
.02	.51
.025	.635
.04	1.02
.06	1.52
.08	2.03
.10	2.54
.12	3.05
.126	3.200
.13	3.30
.158	4.013
.16	4.06
.25	6.35
.37	9.40
.38	9.65
.46	11.68
.50	12.70
.51	12.95
.54	13.72
.63	16.00
1.54	39.12
1.73	43.94
2.48	62.99
2.58	65.53
2.62	66.55
3.03	76.96
3.80	96.52
4.86	123.44
4.90	124.46
5.95	149.35
6.21	157.73
6.29	159.77
6.765	171.831
6.885	174.897
6.89	175.01
7.60	193.04
7.64	194.06
11.21	284.73
11.29	286.77
12.48	316.99
12.56	319.02
12.76	324.10
12.96	329.18
13.04	331.22



VIEW C-C



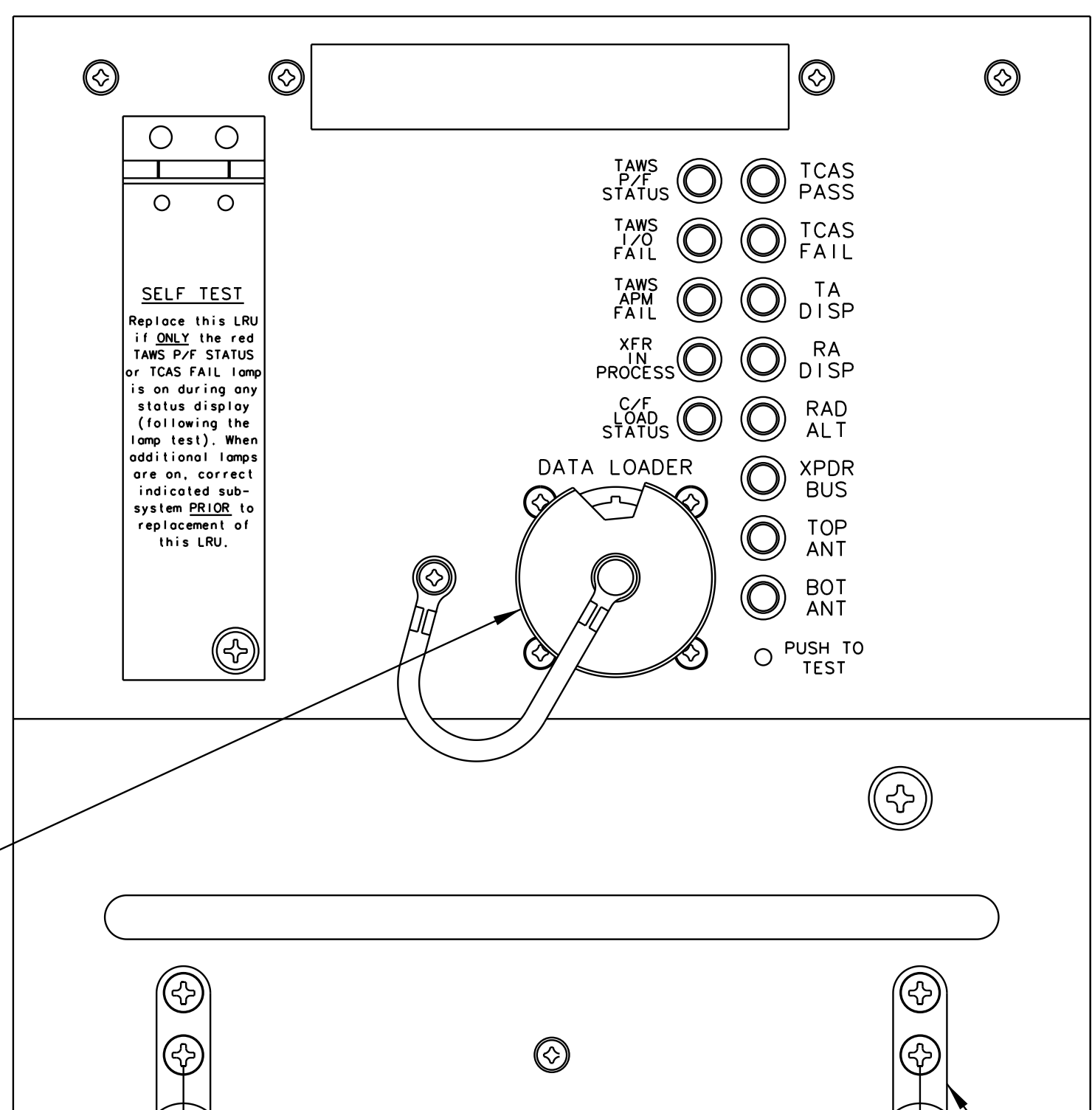
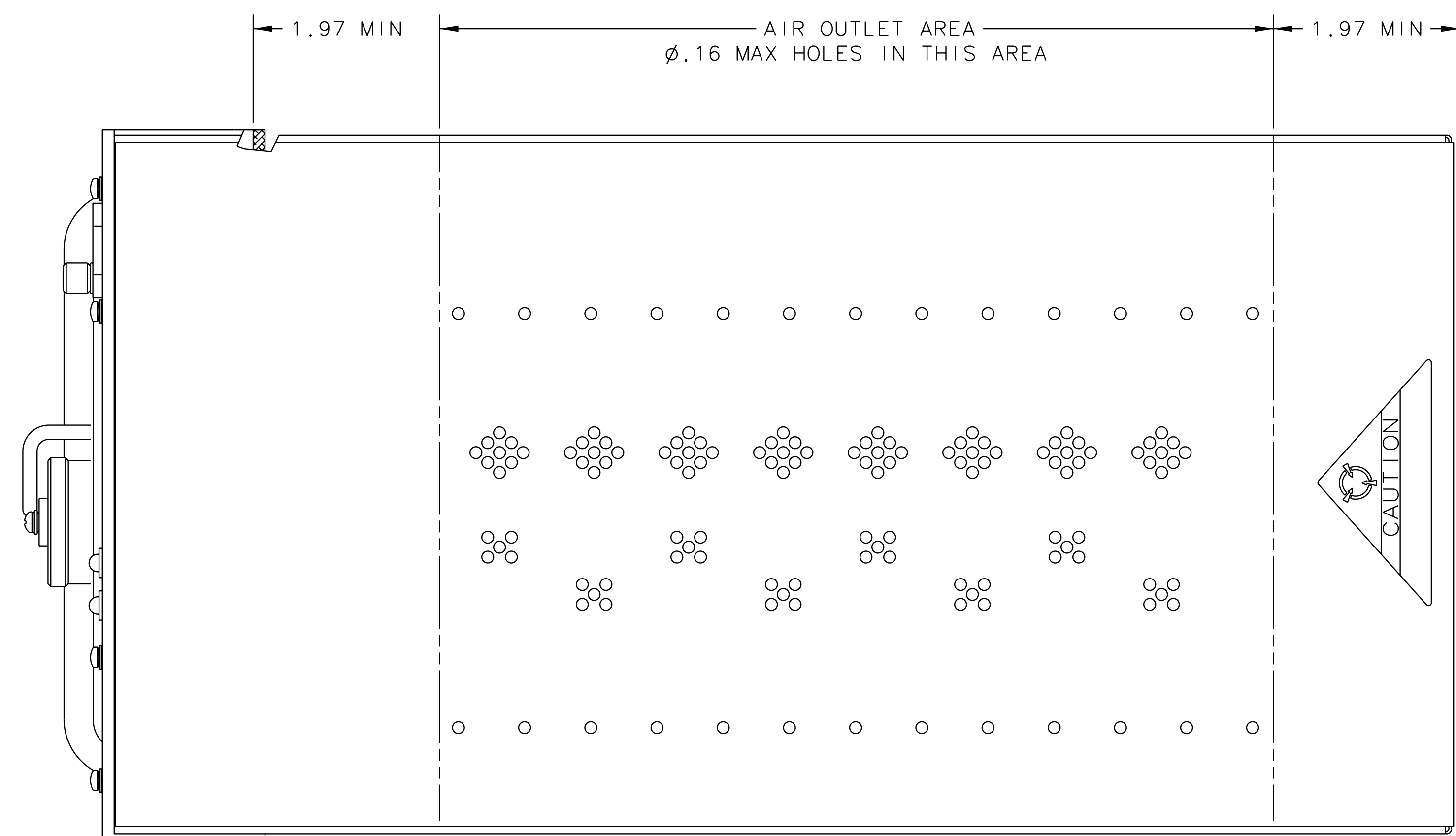
VIEW A-A



VIEW B-B

THIS SHEET FOR END UNIT 9000000-55001

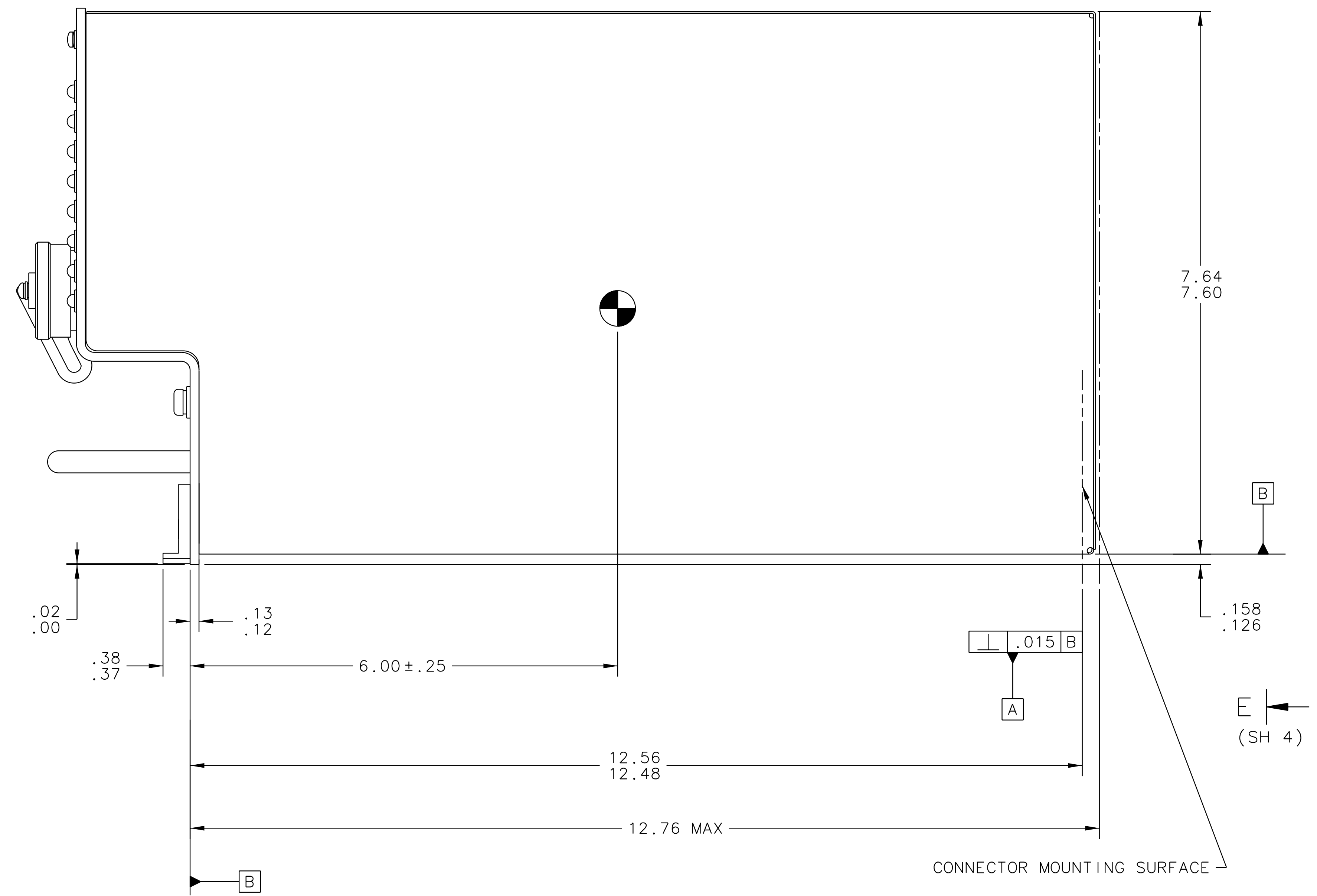
REV. NO.		DESCRIPTION	REVISIONS
5570	A	SEE DESCRIPTION PER CHANGE REQUEST	11-08-02



J1 CONNECTOR ACSS
PART NO. 4008114-160
MS27508E18B53S
MATES WITH ACSS
PART NO. 4004295-160
ITT PART NO. KJ6F18A53P

NAS622 TYPE T HOOK
OR EQUIVALENT
2 PLACES

- NOTES:
- UNIT WEIGHT:
UNIT PART NUMBER 9000000-20001 (28/115 VOLT UNIT) NOMINAL
17.40 POUNDS/MAXIMUM 17.86 POUNDS (7.89/8.10 KILOGRAMS).
 - DENOTES APPROXIMATE CENTER OF GRAVITY.
 - DARKENED PORTION INDICATES SOLID PART OF POLARIZING KEYWAY.
 - THE INSTALLATION IS IN ACCORDANCE WITH ARINC 600 6 MCU.
 - DIMENSIONS ARE IN INCHES. SEE METRIC CONVERSION TABLE FOR CORRESPONDING DIMENSIONS IN MILLIMETERS.
 - THE UNIT MAY ACCEPT EITHER BLOW-THRU COOLING PER ARINC 600 OR DRAW-THRU COOLING PER ARINC 404. THE NORMAL OPERATION COOLING AIRFLOW REQUIREMENT PER ARINC 600 IS 485 POUNDS PER HOUR PER KILOWATTS (220 KILOGRAMS/HOUR-KILOWATTS). AT EITHER OF THE AIRFLOW RATES, THE PRESSURE DROP THROUGH THE UNIT IS .20±.12 INCHES OF WATER (5±3 MILLIMETERS OF WATER).
 - THIS DRAWING DEFINES END UNIT 9000000-YYTZZ.
YY = HARDWARE CONFIGURATION FROM 10 THROUGH 99.
T = TCAS SOFTWARE CONFIGURATION FROM 0 TO 9.
ZZ = TAMS CONFIGURATION FROM 01 THROUGH 99.
 - UNIT FINISH: CHEM FILM TREATED OVER BARE ALUMINUM.
 - .10 MAX REAR PANEL THICKNESS IS REQUIRED IN CONNECTOR MOUNTING AREA DEFINED AS ZONE A. NO OTHER PROJECTIONS EXCEPT CONNECTOR MOUNTING HARDWARE ARE PERMITTED IN AREA DEFINED AS ZONE A.
 - TOTAL UNIT WATTAGE IS 113 MAX.

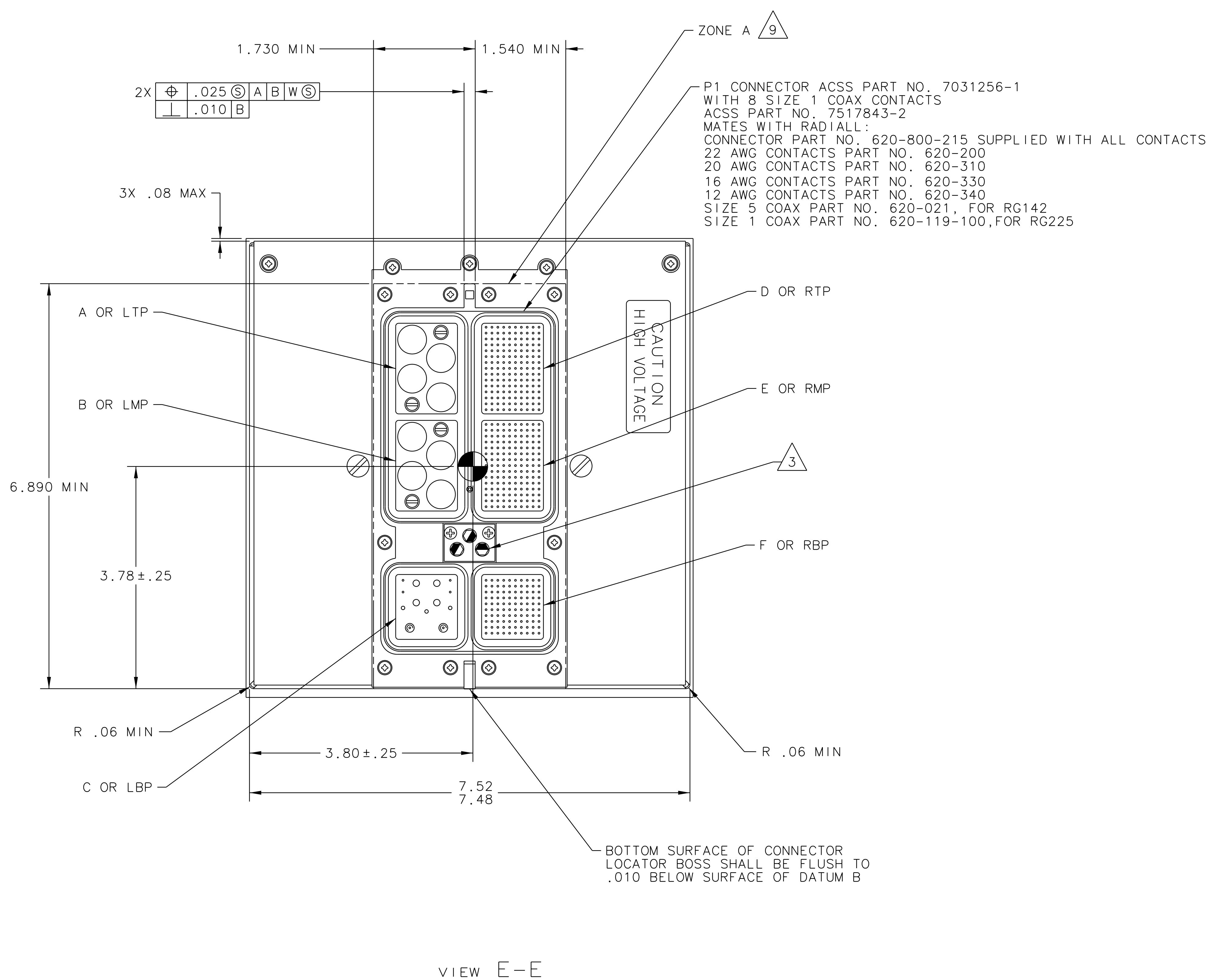
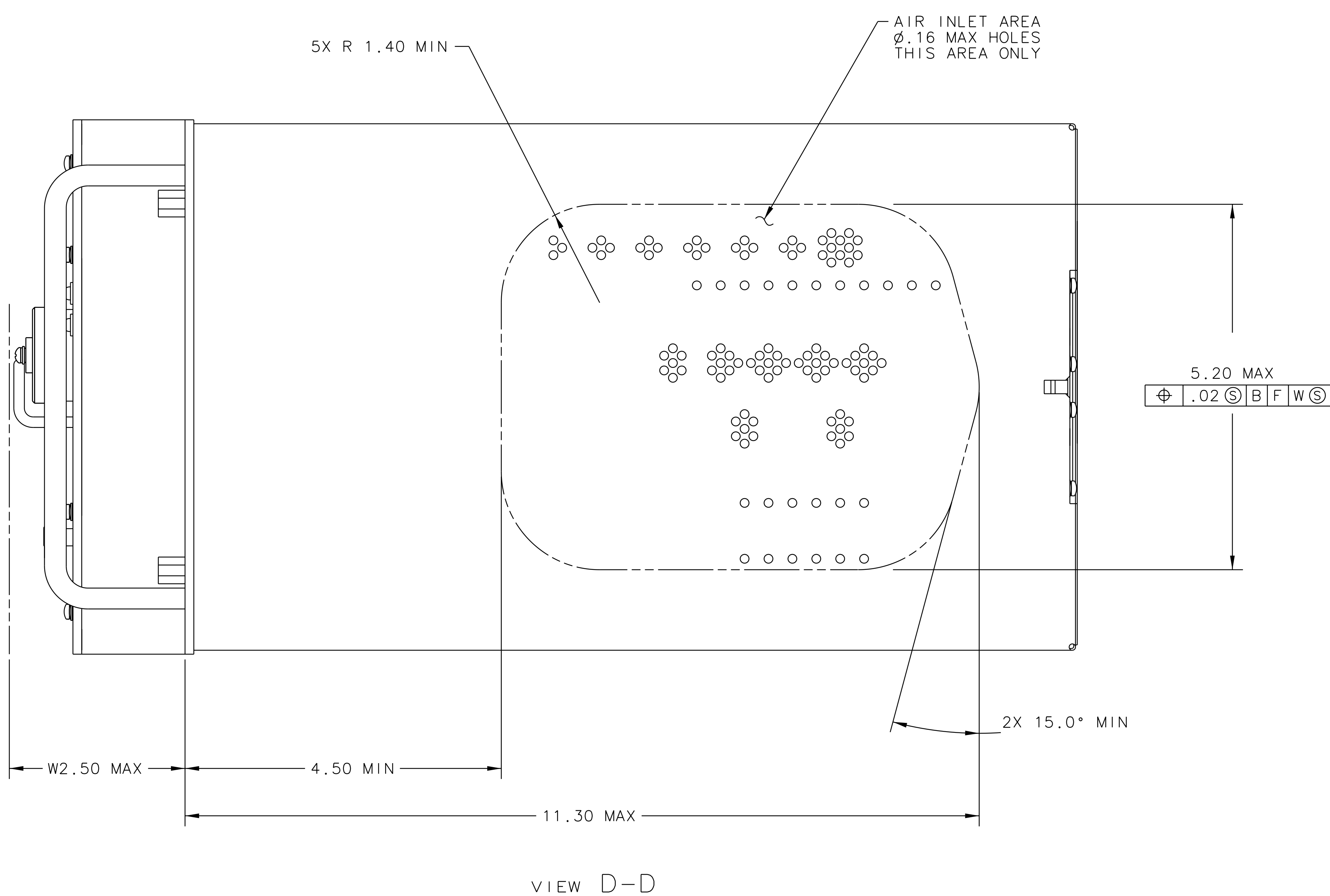


THIS SHEET FOR END UNIT 9000000-20001

ACSS	SEE FIRST SHEET FOR CONTRACT NUMBER. USE OR DISCLOSURE OF INFORMATION ON THIS SHEET IS SUBJECT TO THE RESTRICTIONS ON THE FIRST SHEET OF THIS DOCUMENT.	SIZE CAGE CODE E11WYD3	DRAWING NO. 9000027-001	REV A
	SCALE NONE	SHEET 3		

REV. NO.		DESCRIPTION	DATE
5570	A	SEE DESCRIPTION PER CHANGE REQUEST	11-08-02

CONVERSION TABLE	
INCHES	MILLIMETERS
.010	.254
.015	.381
.020	.508
.025	.635
.04	1.02
.06	1.52
.08	2.03
.10	2.54
.12	3.05
.126	3.200
.13	3.30
.158	4.013
.16	4.06
.20	5.08
.25	6.35
.37	9.40
.38	9.65
1.40	35.56
1.54	39.12
1.73	43.94
1.97	50.04
2.50	63.50
3.78	96.01
3.80	96.52
4.50	114.30
5.18	131.57
5.22	132.59
6.00	152.40
6.89	175.01
7.48	189.99
7.52	191.01
7.60	193.04
7.64	194.06
11.30	287.02
12.48	316.99
12.56	319.02
12.76	324.10

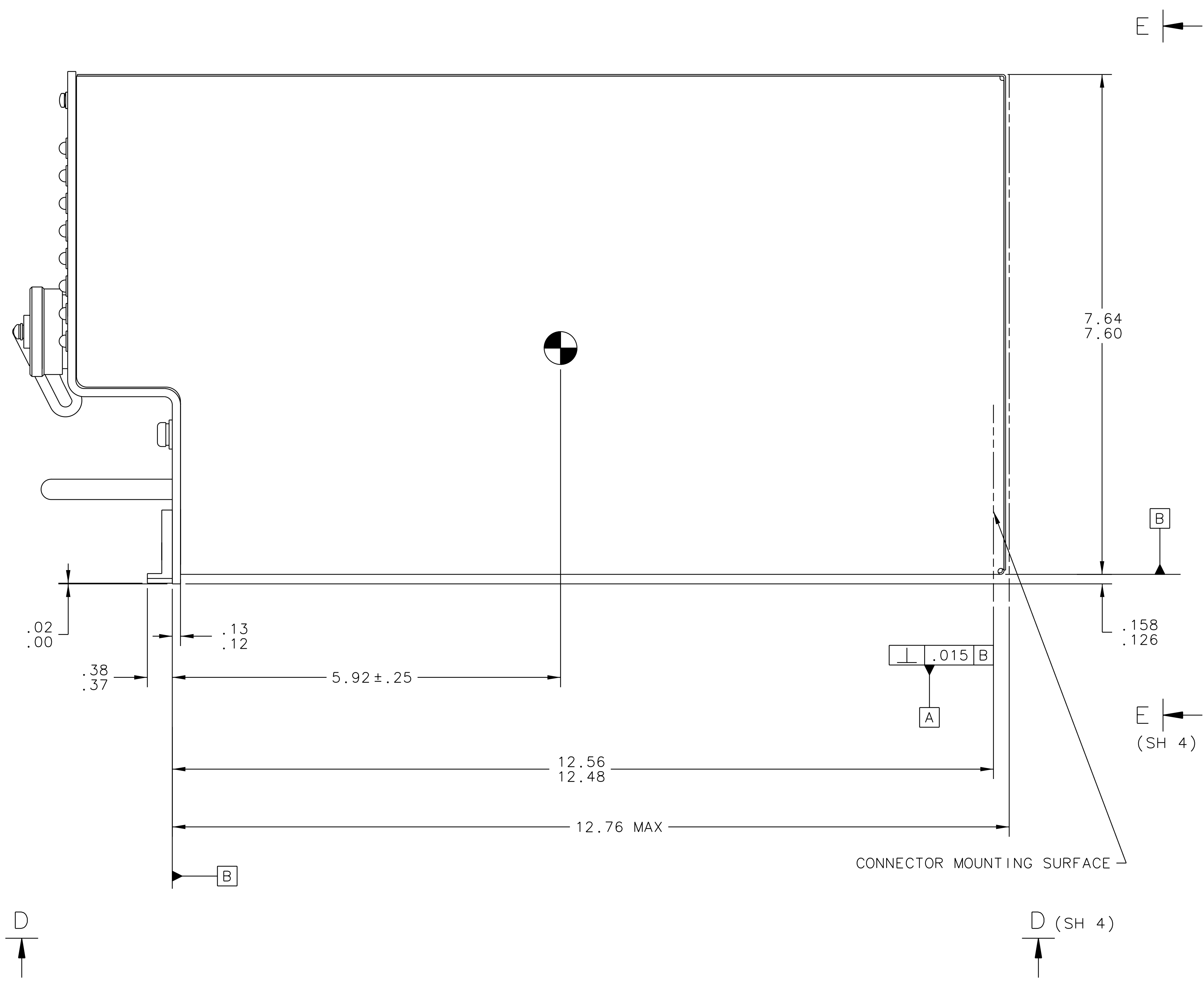
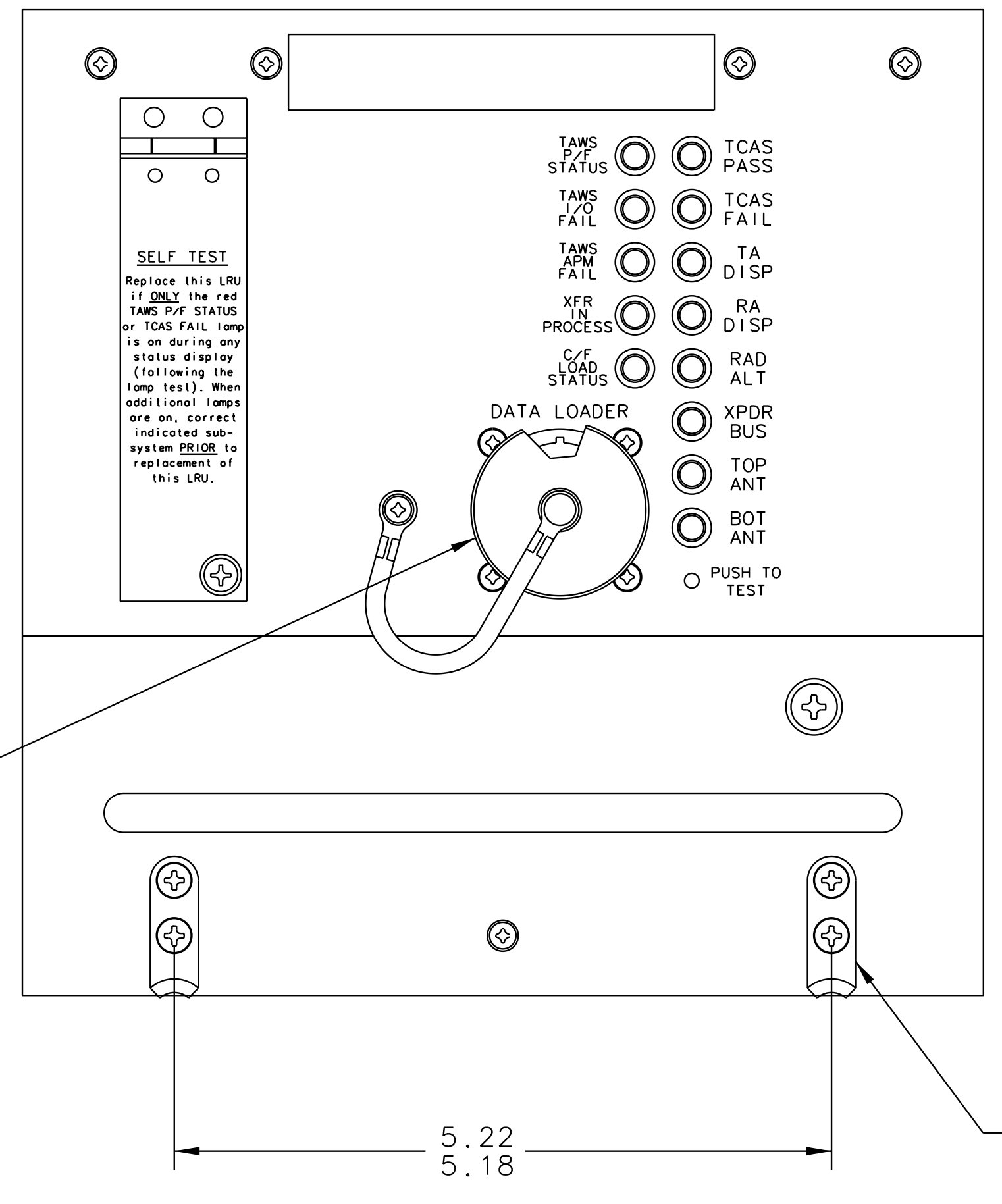
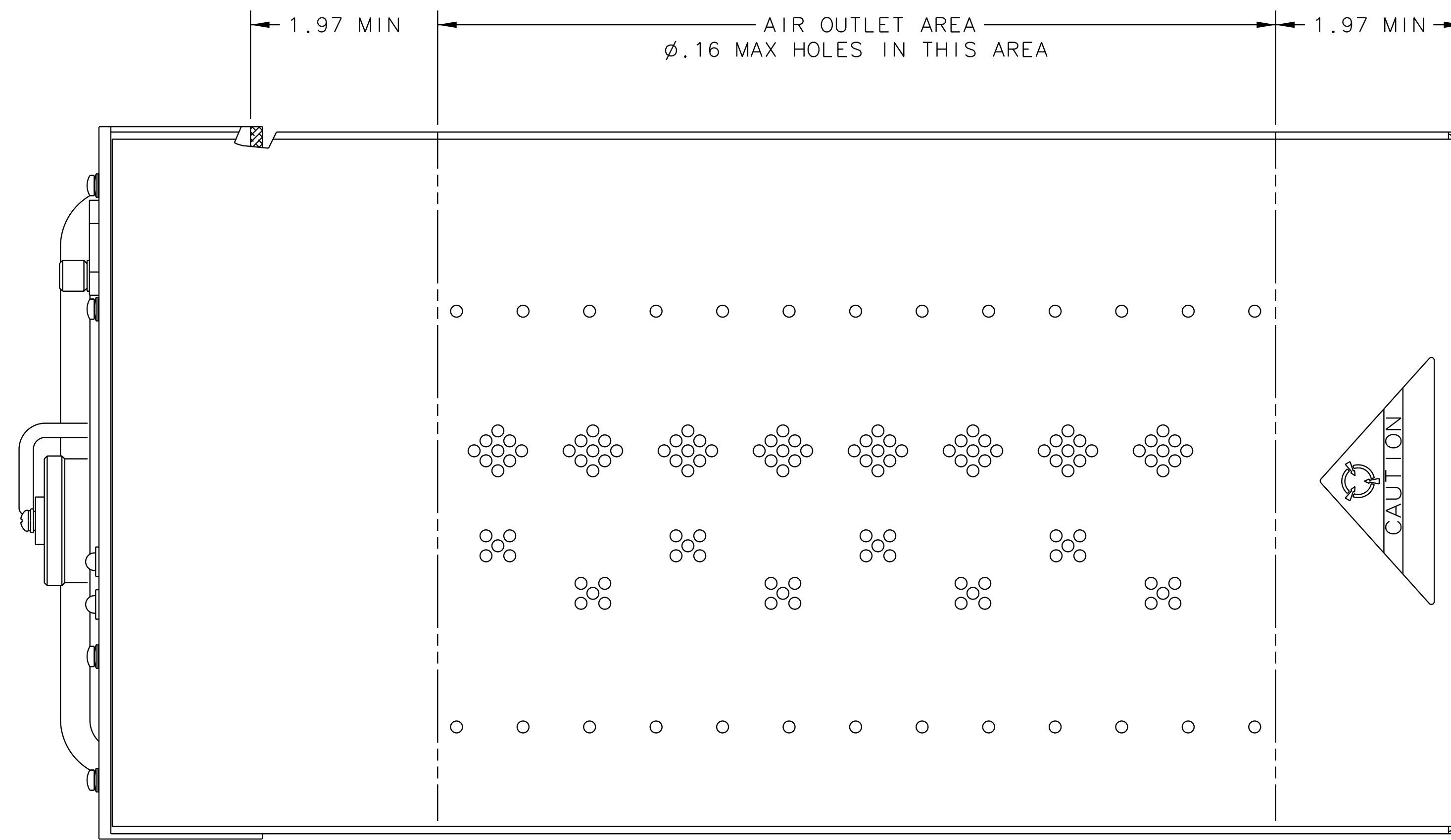


P1 CONNECTOR ACSS PART NO. 7031256-1
 WITH 8 SIZE 1 COAX CONTACTS
 ACSS PART NO. 7517843-2
 MATES WITH RADIAL:
 CONNECTOR PART NO. 620-800-215 SUPPLIED WITH ALL CONTACTS
 22 AWG CONTACTS PART NO. 620-200
 20 AWG CONTACTS PART NO. 620-310
 16 AWG CONTACTS PART NO. 620-330
 12 AWG CONTACTS PART NO. 620-340
 SIZE 5 COAX PART NO. 620-021, FOR RG142
 SIZE 1 COAX PART NO. 620-119-100, FOR RG225

THIS SHEET IS FOR END UNIT 9000000-20001

ACSS	SEE FIRST SHEET FOR CONTRACT NUMBER.	SIZE/CAGE CODE	DRAWING NO.
	USE OR DISCLOSURE OF INFORMATION ON THIS SHEET IS SUBJECT TO THE RESTRICTIONS ON THE FIRST SHEET OF THIS DOCUMENT.	E11WYD3	9000027-001 A
SCALE NONE		SHEET 4	

REV. NO.		DESCRIPTION	REVISIONS
5570	A	SEE DESCRIPTION PER CHANGE REQUEST	11-08-02



J1 CONNECTOR ACSS
 PART NO. 4008114-160
 MS27508E18B53S
 MATES WITH ACSS
 PART NO. 4004295-160
 ITT PART NO. KJ6F18A53P

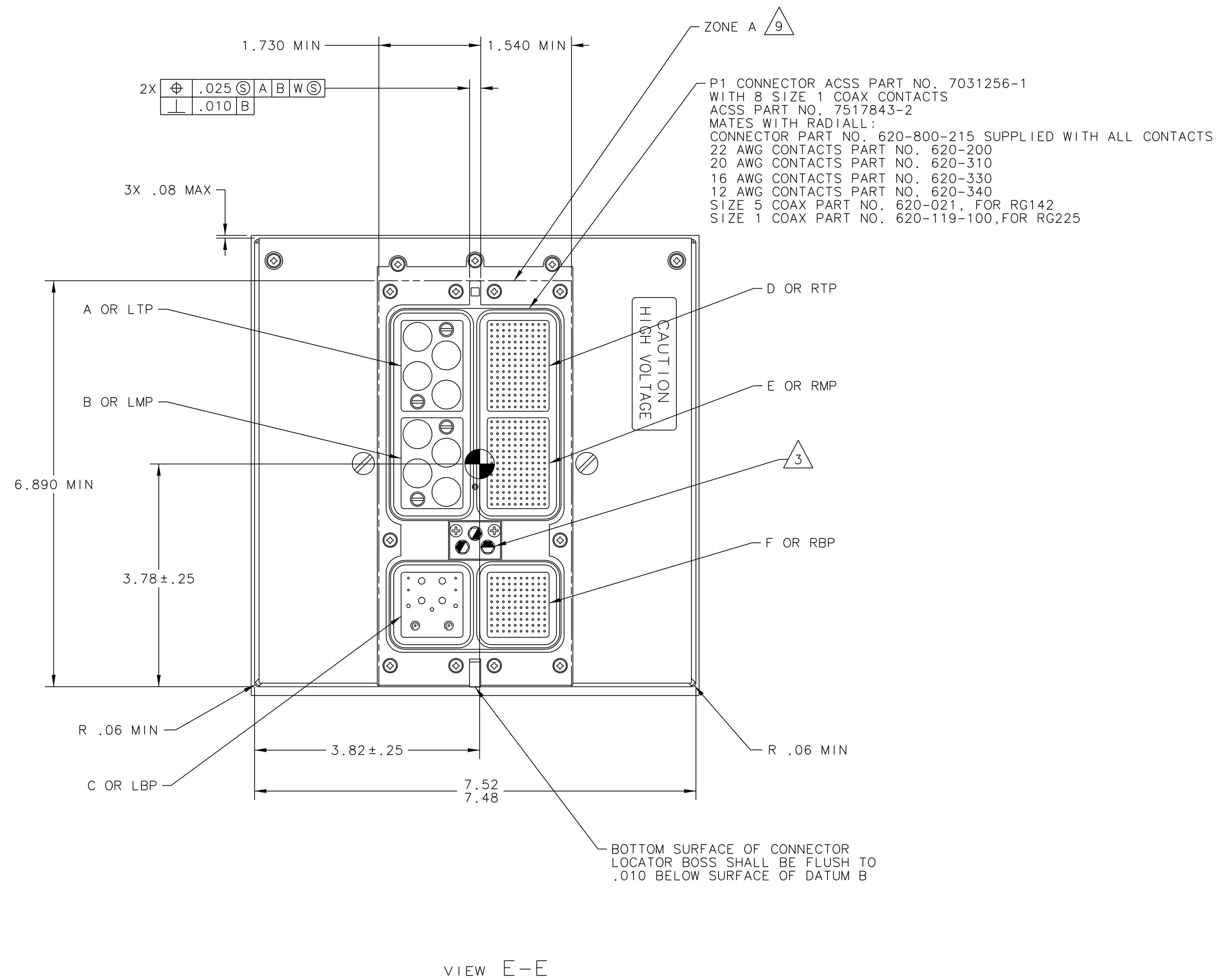
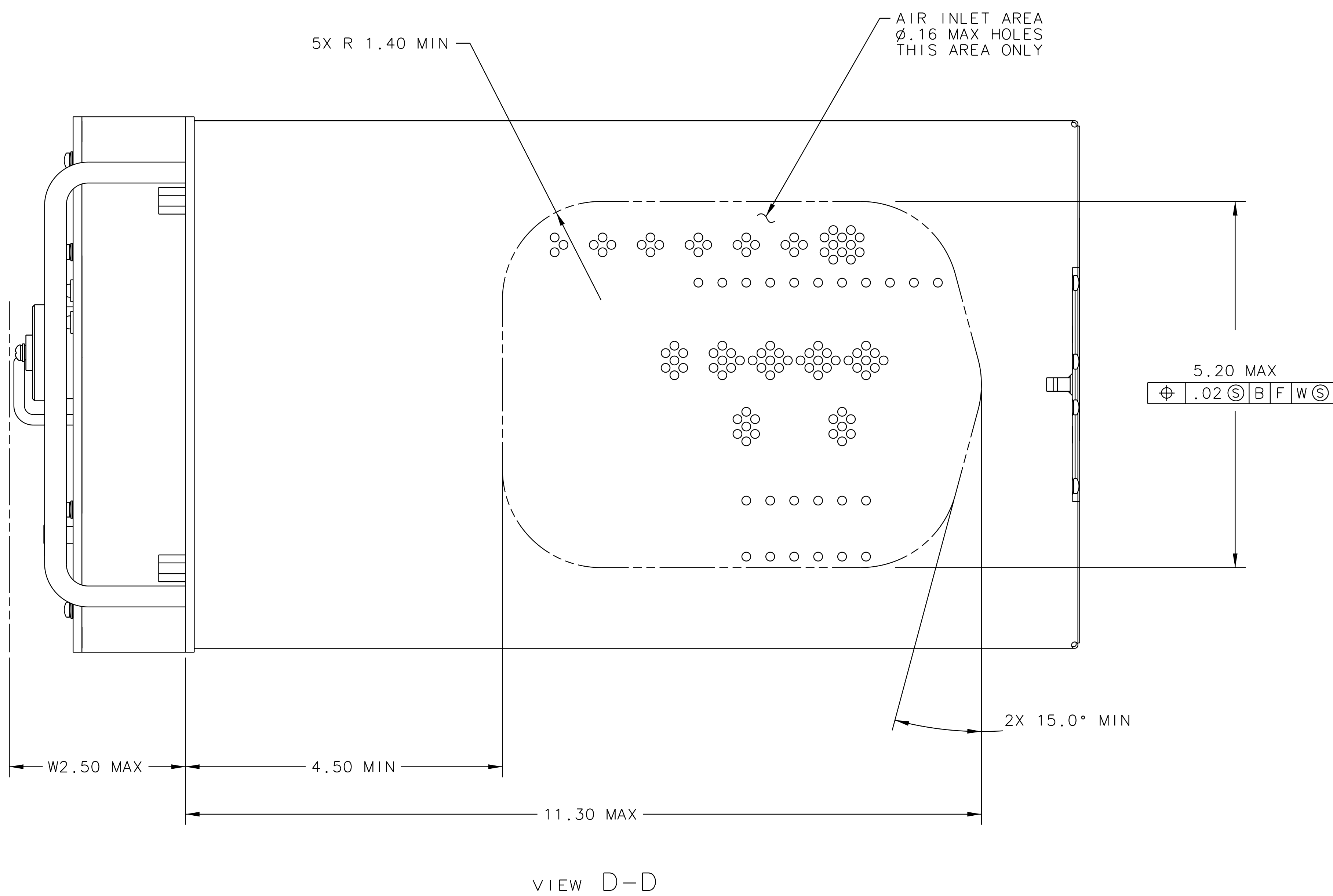
NAS622 TYPE T HOOK
 OR EQUIVALENT
 2 PLACES

- NOTES:
- UNIT WEIGHT:
 UNIT PART NUMBER 9000000-10001 (28/115 VOLT UNIT) NOMINAL
 16.80 POUNDS/MAXIMUM 17.22 POUNDS (7.62/7.81 KILOGRAMS).
 - DENOTES APPROXIMATE CENTER OF GRAVITY.
 - DARKENED PORTION INDICATES SOLID PART OF POLARIZING KEYWAY.
 - THE INSTALLATION IS IN ACCORDANCE WITH ARINC 600 6 MCU.
 - DIMENSIONS ARE IN INCHES. SEE METRIC CONVERSION TABLE FOR CORRESPONDING DIMENSIONS IN MILLIMETERS.
 - THE UNIT MAY ACCEPT EITHER BLOW-THRU COOLING PER ARINC 600 OR DRAW-THRU COOLING PER ARINC 404. THE NORMAL OPERATION COOLING AIRFLOW REQUIREMENT PER ARINC 600 IS 485 POUNDS PER HOUR PER KILOWATTS (220 KILOGRAMS/HOUR-KILOWATTS). AT EITHER OF THE AIRFLOW RATES, THE PRESSURE DROP THROUGH THE UNIT IS .20±.12 INCHES OF WATER (5±3 MILLIMETERS OF WATER).
 - THIS DRAWING DEFINES END UNIT 9000000-YYTZZ.
 YY = HARDWARE CONFIGURATION FROM 10 THROUGH 99.
 T = TCAS SOFTWARE CONFIGURATION FROM 0 TO 9.
 ZZ = TAWS CONFIGURATION FROM 01 THROUGH 99.
 - UNIT FINISH: CHEM FILM TREATED OVER BARE ALUMINUM.
 - .10 MAX REAR PANEL THICKNESS IS REQUIRED IN CONNECTOR MOUNTING AREA DEFINED AS ZONE A. NO OTHER PROJECTIONS EXCEPT CONNECTOR MOUNTING HARDWARE ARE PERMITTED IN AREA DEFINED AS ZONE A.
 - TOTAL UNIT WATTAGE IS 113 MAX.

THIS SHEET IS FOR END UNIT 9000000-10001

REV. NO.		DESCRIPTION	REVISIONS
5570	A	SEE DESCRIPTION PER CHANGE REQUEST	11-08-02

CONVERSION TABLE	
INCHES	MILLIMETERS
.010	.254
.015	.381
.020	.508
.025	.635
.04	1.02
.06	1.52
.08	2.03
.10	2.54
.12	3.05
.126	3.200
.13	3.30
.158	4.013
.16	4.06
.20	5.08
.25	6.35
.37	9.40
.38	9.65
1.40	35.56
1.54	39.12
1.73	43.94
1.97	50.04
2.50	63.50
3.78	96.01
3.82	97.03
4.50	114.30
5.18	131.57
5.22	132.59
5.92	150.37
6.89	175.01
7.48	189.99
7.52	191.01
7.60	193.04
7.64	194.06
11.30	287.02
12.48	316.99
12.56	319.02
12.76	324.10



THIS SHEET FOR END UNIT 9000000-10001