

PROPRIETARY NOTICE
 THIS DOCUMENT AND THE INFORMATION DISCLOSED HEREIN ARE PROPRIETARY DATA OF ACSS, LLC. NEITHER THIS DOCUMENT NOR THE INFORMATION CONTAINED HEREIN SHALL BE REPRODUCED, USED, OR DISCLOSED TO OTHERS WITHOUT THE WRITTEN AUTHORIZATION OF ACSS, LLC

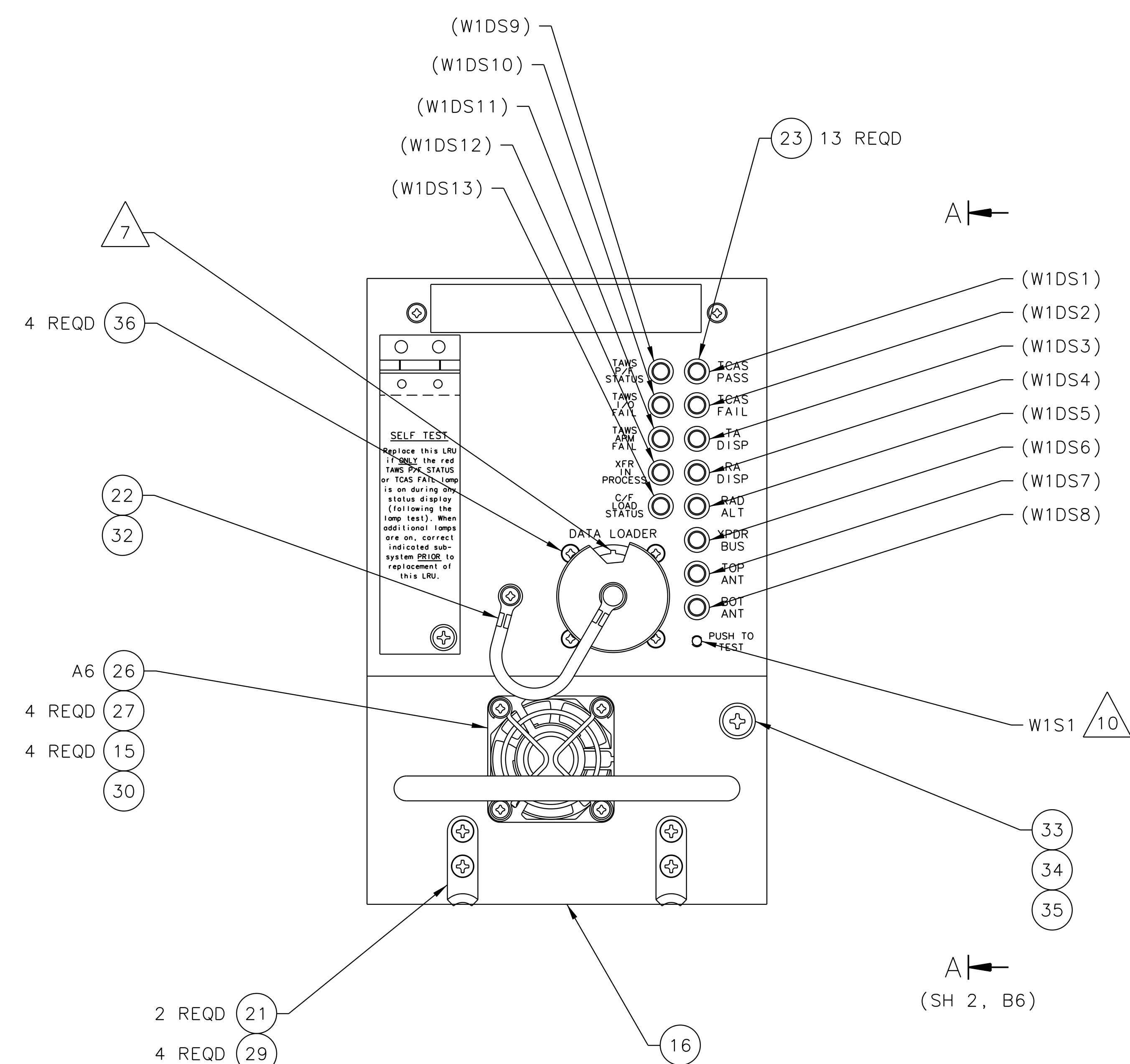
NOTICE
 FREEDOM OF INFORMATION ACT (5 USC 552) AND DISCLOSURE OF CONFIDENTIAL INFORMATION GENERALLY (18 USC 1905)
 THIS DOCUMENT IS BEING FURNISHED IN CONFIDENCE BY ACSS, LLC THE INFORMATION DISCLOSED HEREIN FALLS WITHIN EXEMPTION (b) (4) OF 5 USC 552 AND THE PROHIBITIONS OF 18 USC 1905.

CRNO.	REV	REVISIONS	
		DESCRIPTION	DATE
	-	INITIAL RELEASE	06-11-02
5215	A	SEE DESCRIPTION PER CHANGE REQUEST	07-29-02
5301	B	SEE DESCRIPTION PER CHANGE REQUEST	09-04-02
5557	C	SEE DESCRIPTION PER CHANGE REQUEST	10-07-02
5849	D	SEE DESCRIPTION PER CHANGE REQUEST	02-04-03

NOTES:

- ASSEMBLE PER M2597539.
- CAUTION THIS DEVICE IS SUBJECT TO DAMAGE BY ELECTROSTATIC CHARGES.
- SCREWS ON CCA (ITEM 5) MUST BE REMOVED, 3 PLACES, AND DISCARDED FOR INSTALLATION OF SHIELD (ITEM 24) AND SCREWS (ITEM 37).
- REMOVE AND DISCARD COVER (P/N 7517918) FROM ASSEMBLY A3 (ITEM 3) INCLUDING COVER HOLD DOWN SCREWS, 4 PLACES. REPLACE WITH NEW COVER (ITEM 47) AND COVER HOLD DOWN SCREWS (ITEM 46), 24 PLACES. APPLY LOCTITE (ITEM 39) TO THREADS OF ITEM 46 PRIOR TO ASSEMBLY PER M695178.
- ROUTE W2 RIBBON CABLE AS SHOWN.
- DARKENED PORTION INDICATES SOLID PART OF POLARIZING KEYS.
- ORIENT W1J1 KEYWAY AS SHOWN.
- FOOT OF A1P1 SHALL BE FLUSH TO .010 BELOW SURFACE A.
- ORIENT W1E1, W1E2 AND ITEM 20 AS SHOWN.
- PRIOR TO MOUNTING W1S1 TO ITEM 9, DISCARD NUT SUPPLIED WITH W1S1. APPLY LACQUER (ITEM 40) TO W1S1 THREADS AND ITEM 9. CAUTION DO NOT ALLOW ITEM 40 TO CONTACT W1S1 PUSH BUTTON.
- ROUTE W1 AGAINST A4 AND W5 AGAINST W1 TO CLEAR SCREW HEAD ON A5 RF CONNECTOR BRACKET.
- FULLY MATE THE FOLLOWING CONNECTORS:

FROM	TO
12a A1J1	W5P2
12b A1J2	W2P1
12c A1J3	A2P1
12d A1J4	W1P1
12e A3J1	A4P1
12f A3J2	W3P1
12g W3P2	A5J10
12h A3A1J1	W4P1
12i W4P2	A5J11
12j A4J1	W5P1
12k A5J1	W2P2
12l A7P3	W1P2
12m A4J4	W6P1
12n W6P2	A1J6
12o A7P1	A1J5
12p A4J2	A6P1
- ENSURE CONNECTIONS W1-W8 ARE PROPERLY ENGAGED TO A5 BEFORE SECURING MOUNTING SCREWS ON THE CONNECTOR BRACKET.
- INSTALL ITEMS 42 AND 43 ON THE COVER (ITEM 19) AND ITEM 44 TO FRONT PLATE (ITEM 16) PER M7015353. LOCATE APPROXIMATELY AS SHOWN.
- APPLY LOCTITE (ITEM 39) TO THREADS OF ITEM 46 PER M695178.
- MARK IDENTIFICATION LABEL USING MATERIALS PER M4070371, METHOD R.
- ACSS P/N 7517945-903 IS AN ACCEPTABLE SUBSTITUTE FOR A5 (ITEM 5).

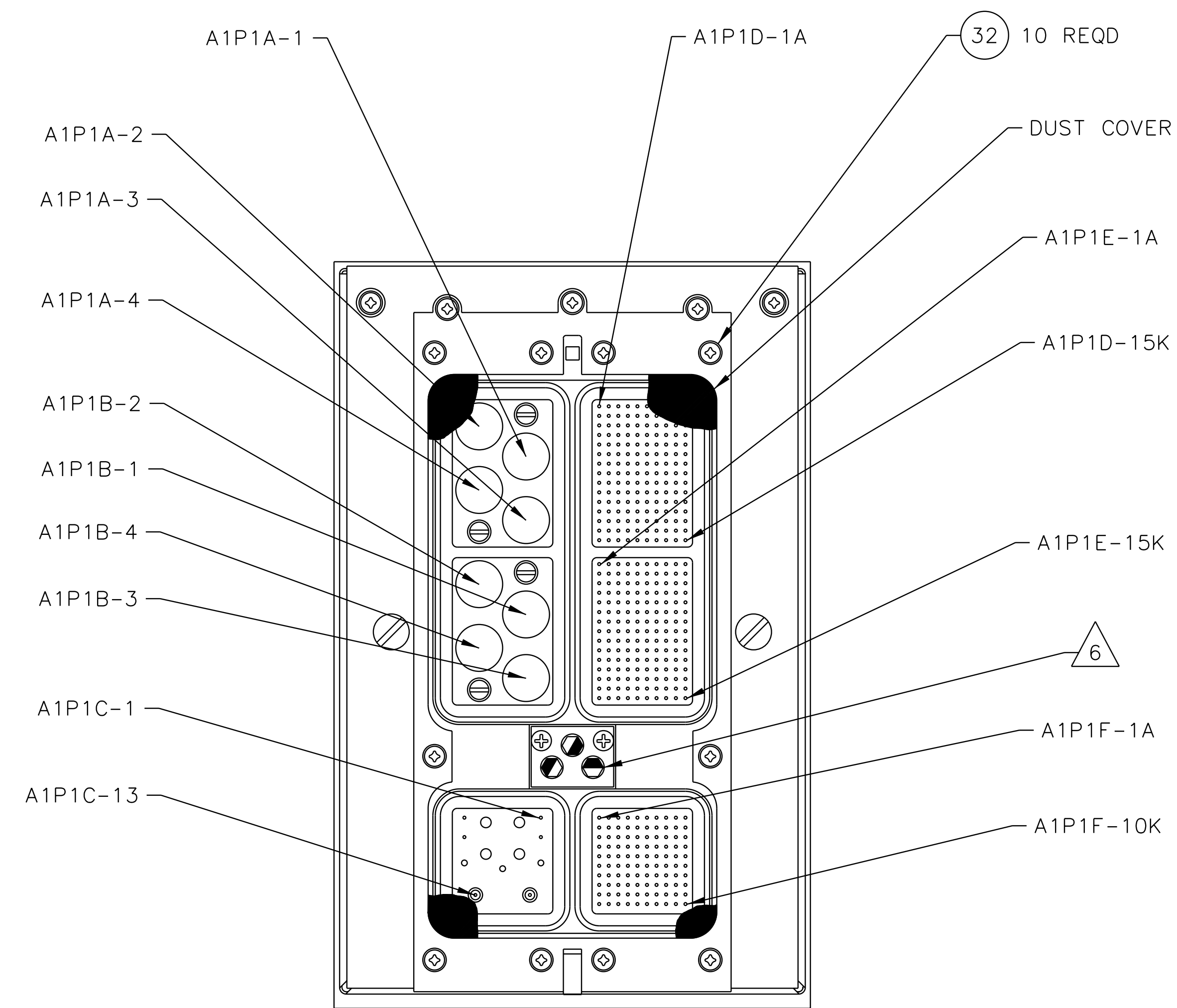
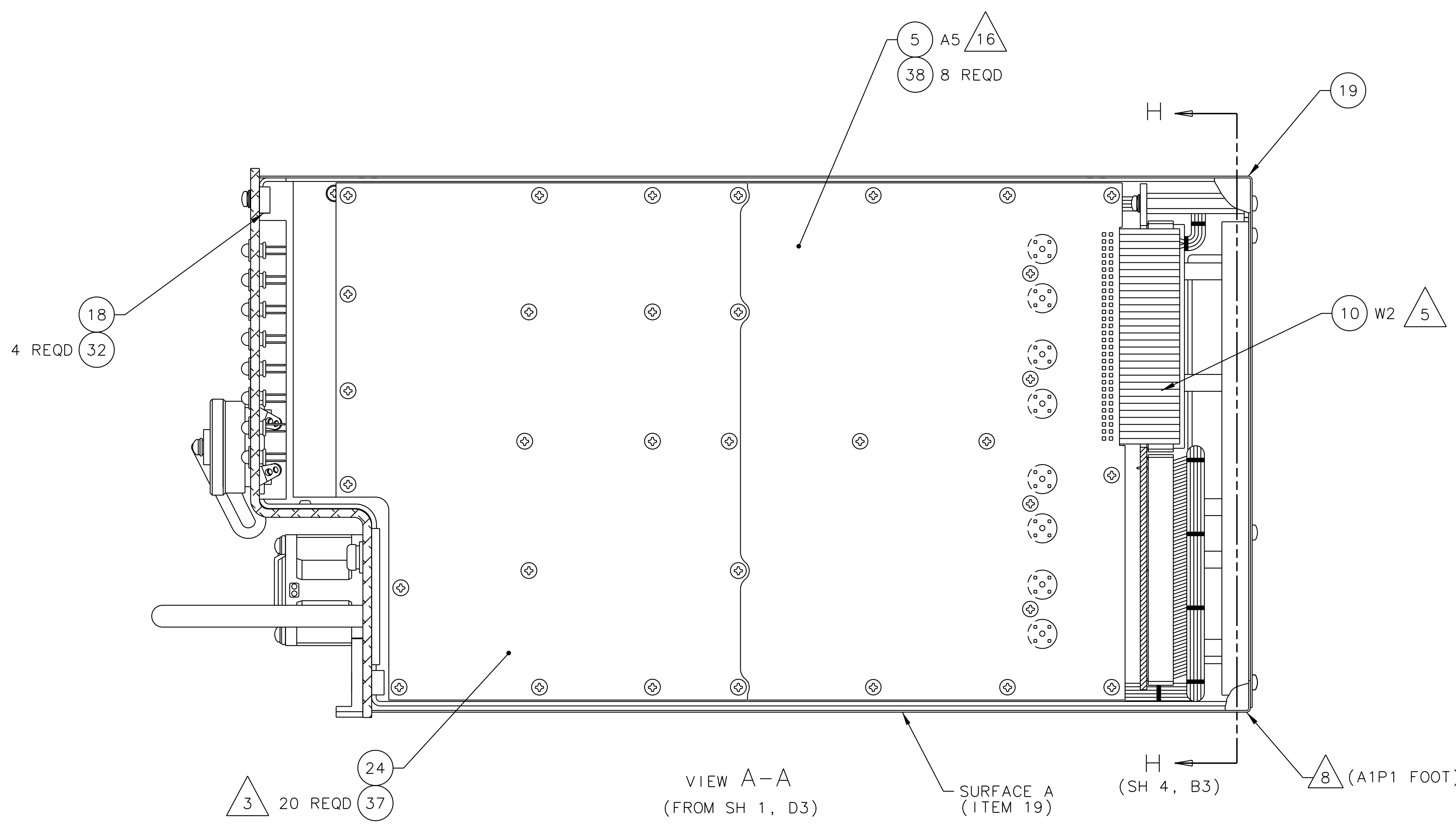
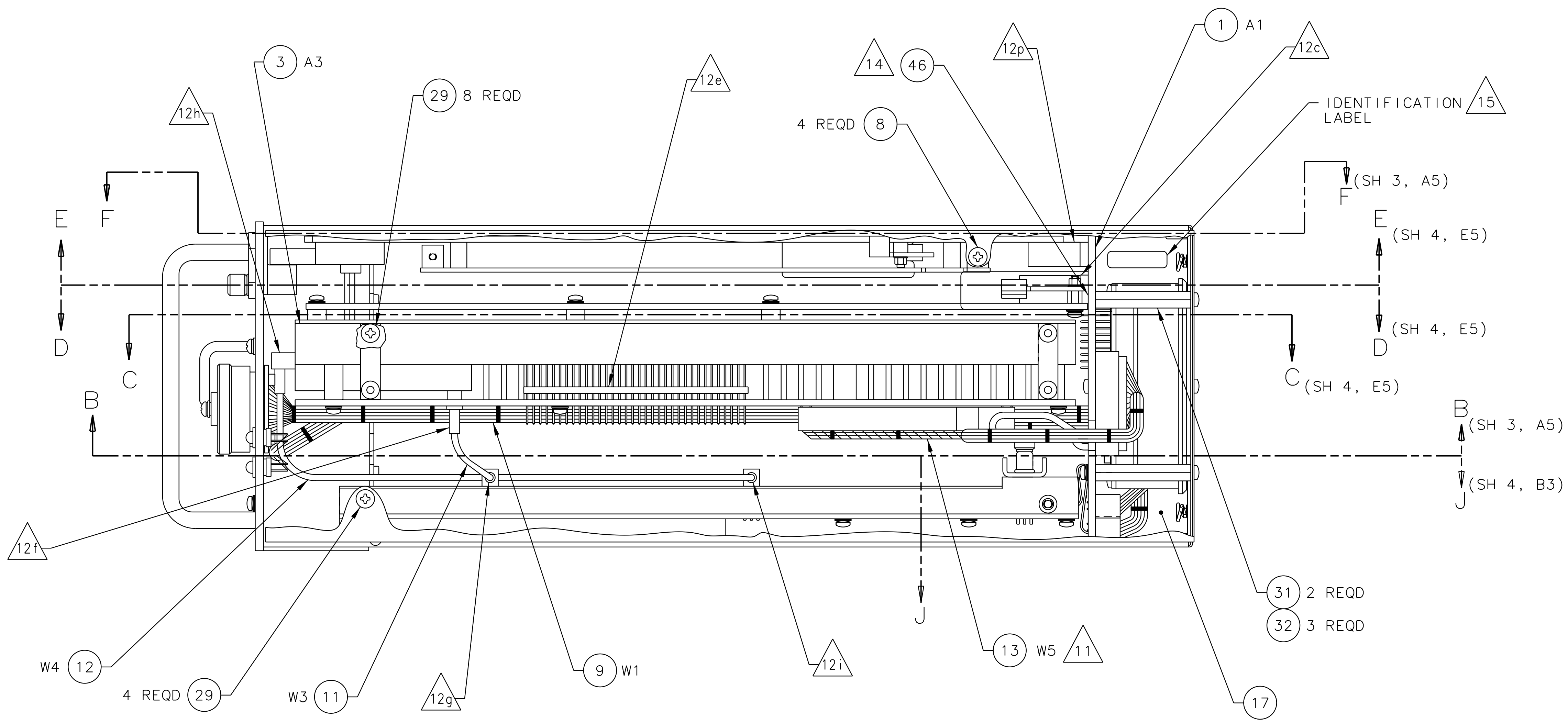


REVISION STATUS OF PARTS LIST SHALL BE THE SAME AS THE BASIC DRAWING NUMBER. SEE SEPARATE PARTS LIST.

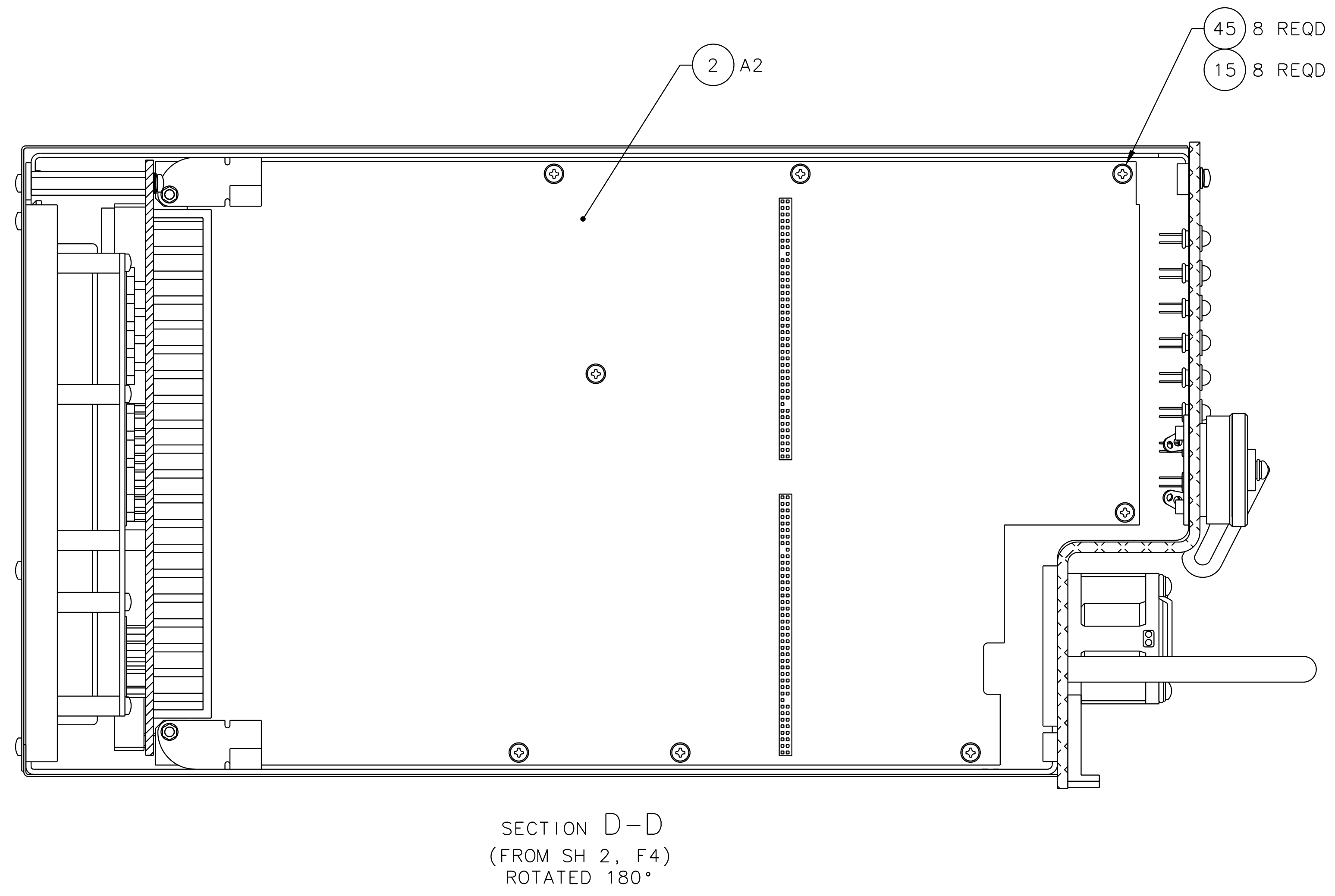
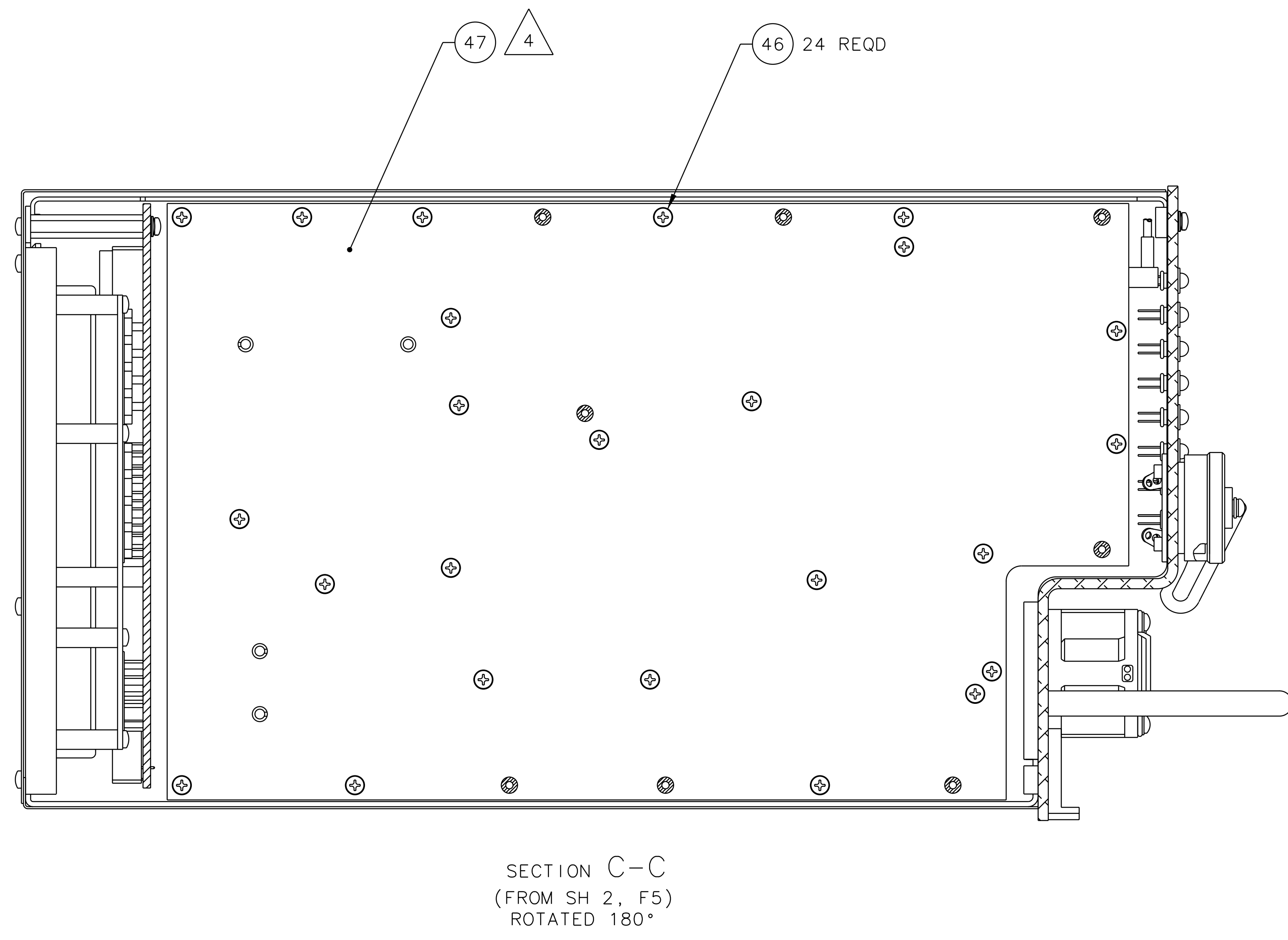
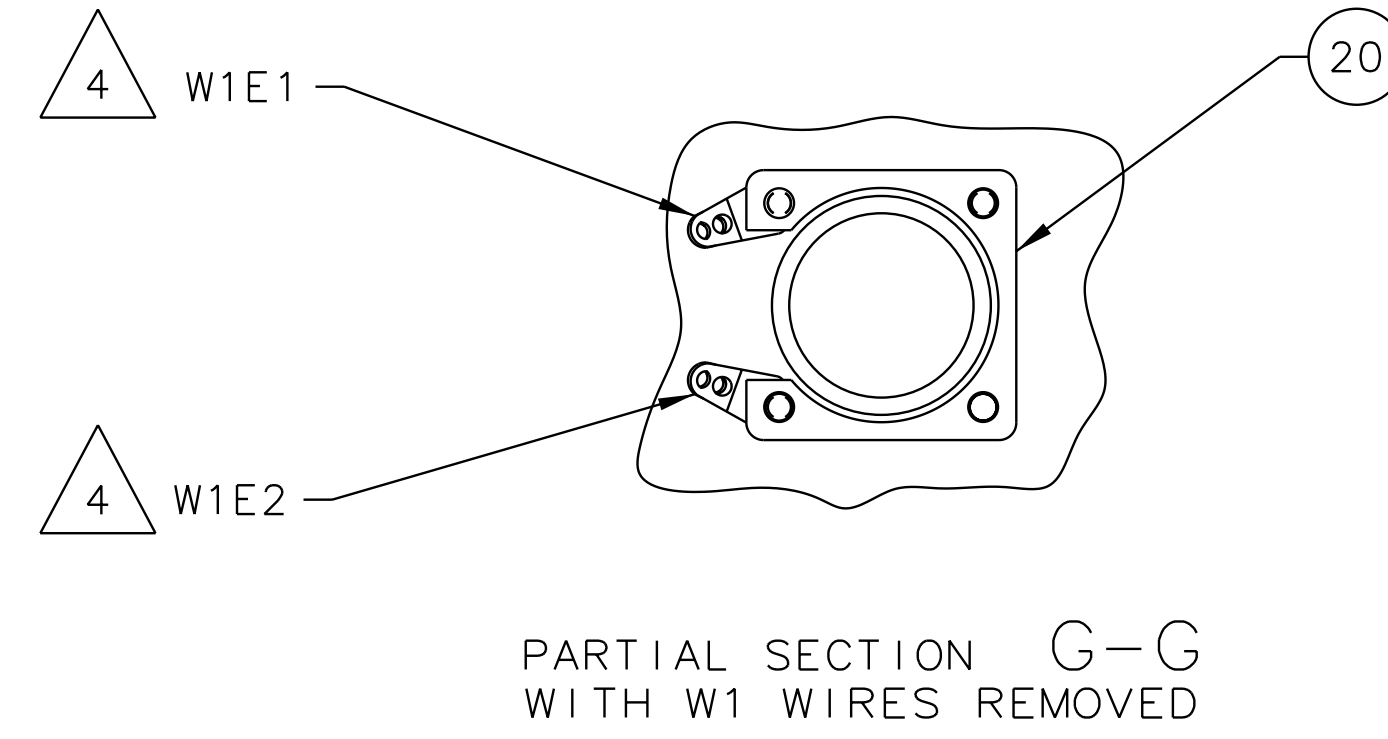
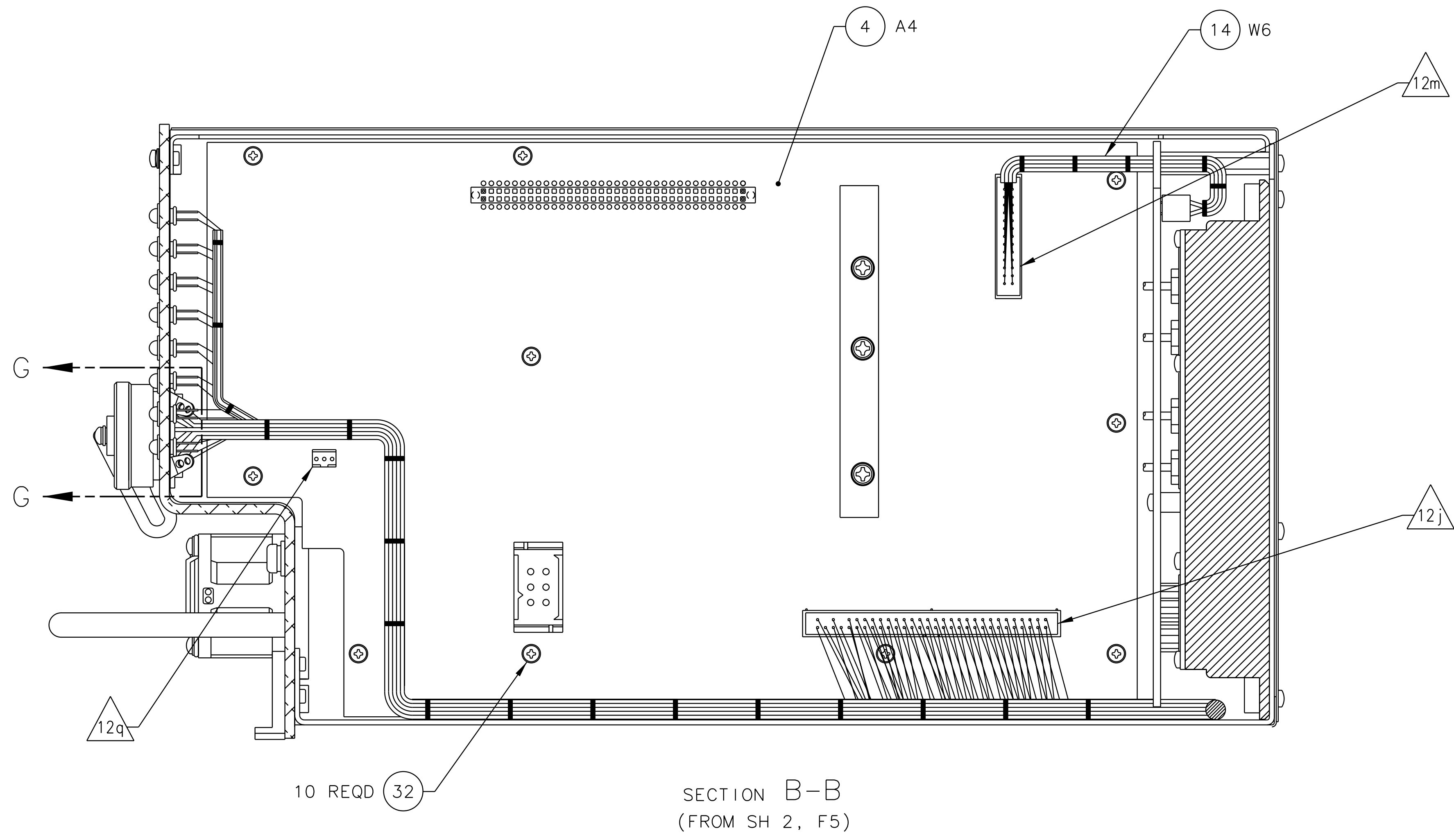
UNLESS OTHERWISE SPECIFIED, DIMENSIONS ARE IN INCHES: TOLERANCES: ANGLES ± - 2 PL DEC ± - 3 PL DEC ± -		THIRD ANGLE PROJECTION	OPERATIONAL NOTE
INTERPRET DIMENSIONS AND TOLERANCES PER AMSE Y14.5M-1994		FOR REFERENCE	Aviation Communication & Surveillance Systems 19810 North 71st Avenue Phoenix, Arizona 85027-4400
		ORIGINAL C.R.	
		PRODUCT LINE NO.	
		AW/PS ANALYSIS EB	
		REF DWG	REF SPEC
9000000-55001	9000000-55001	SIZE CAGE CODE	DRAWING NO.
NEXT ASSY	USED ON (SYS)	E11WYD3	9000000-551D
APPLICATION		SCALE 1/1	SHEET 1 OF 5

REV 9000000-55 1

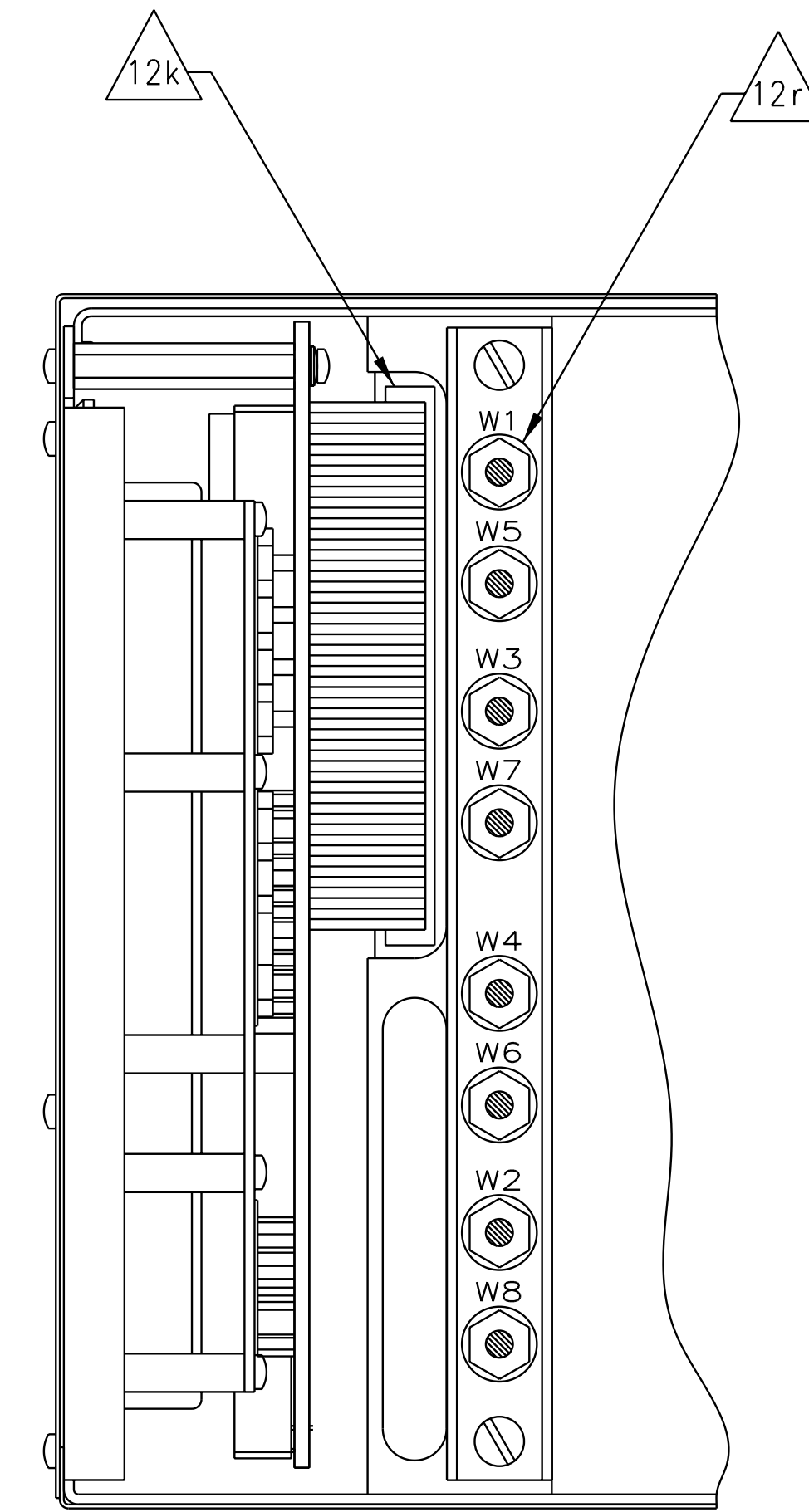
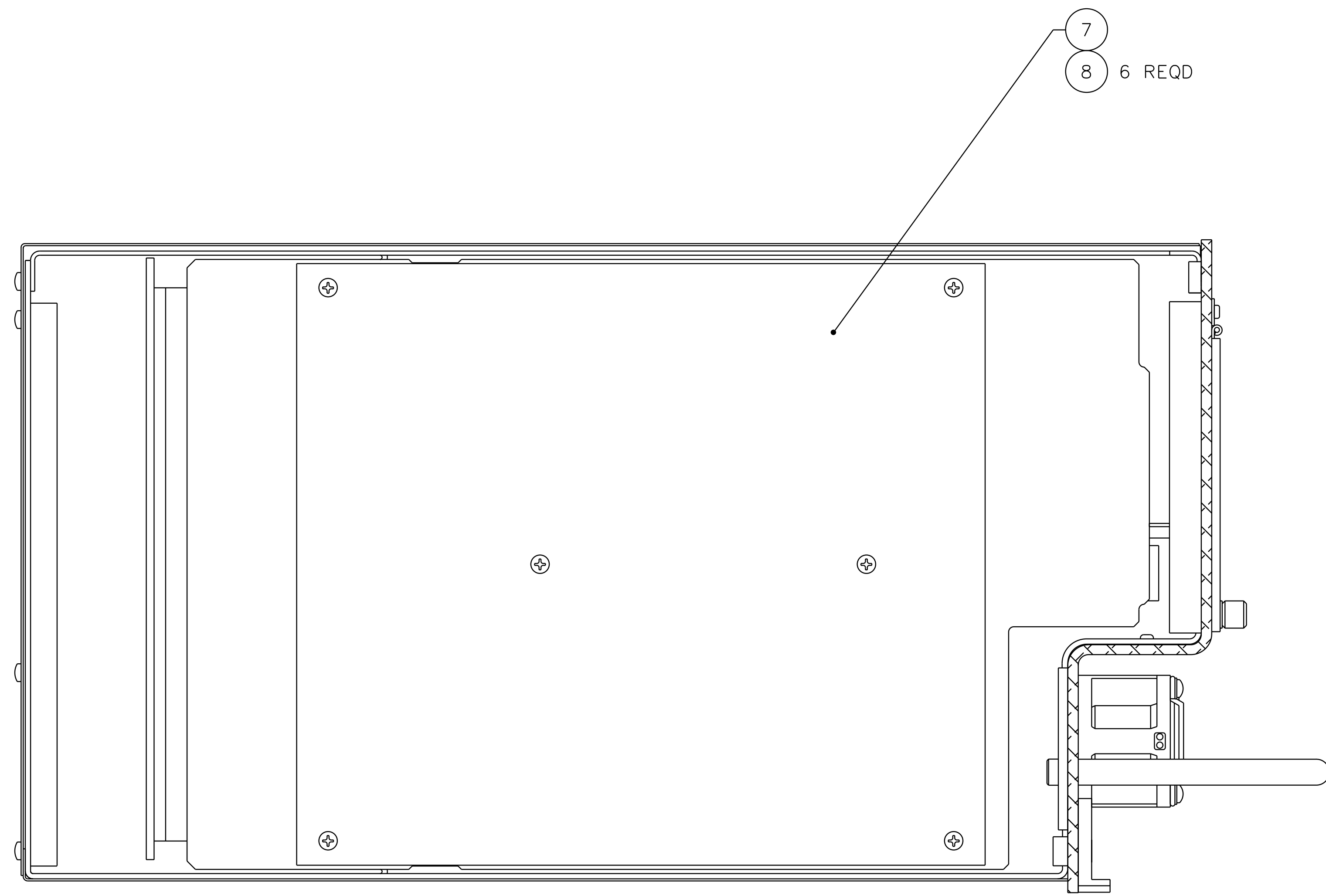
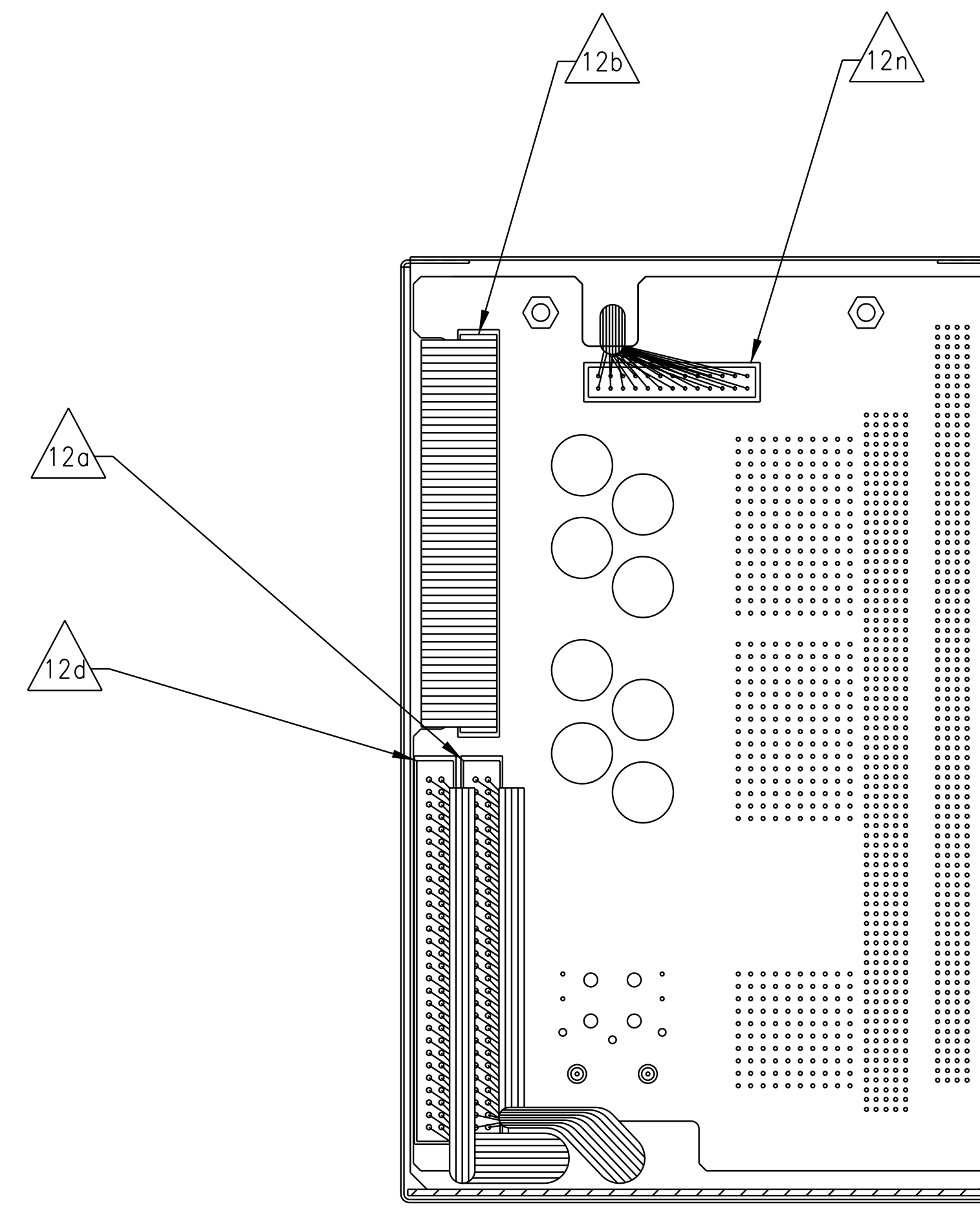
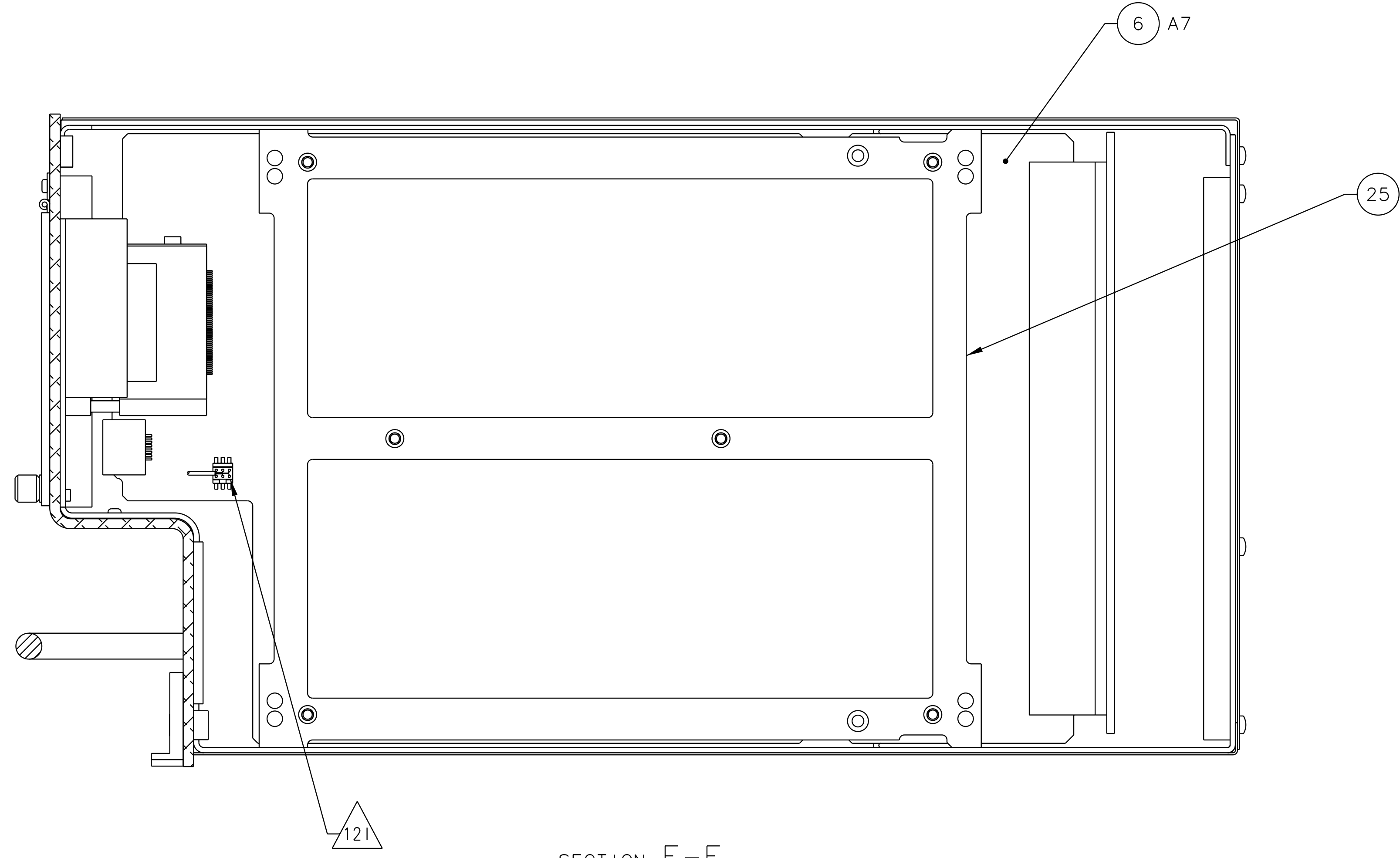
REV		REVISIONS	
CRNO.	REV	DESCRIPTION	
5215	A	SEE DESCRIPTION PER CHANGE REQUEST	07-29-02
5301	B	SEE DESCRIPTION PER CHANGE REQUEST	09-04-02
5557	C	SEE DESCRIPTION PER CHANGE REQUEST	10-07-02



REVNO.		REV		REVISIONS	
				DESCRIPTION	
5215	A	SEE DESCRIPTION PER CHANGE REQUEST		07-29-02	
5301	B	SEE DESCRIPTION PER CHANGE REQUEST		09-04-02	



REV. NO.		DESCRIPTION	DATE
5215	A	SEE DESCRIPTION PER CHANGE REQUEST	07-29-02



REVISONS		DESCRIPTION	
CRNO.	REV		
5215	A	SEE DESCRIPTION PER CHANGE REQUEST	07-29-02
5301	B	SEE DESCRIPTION PER CHANGE REQUEST	09-04-02

