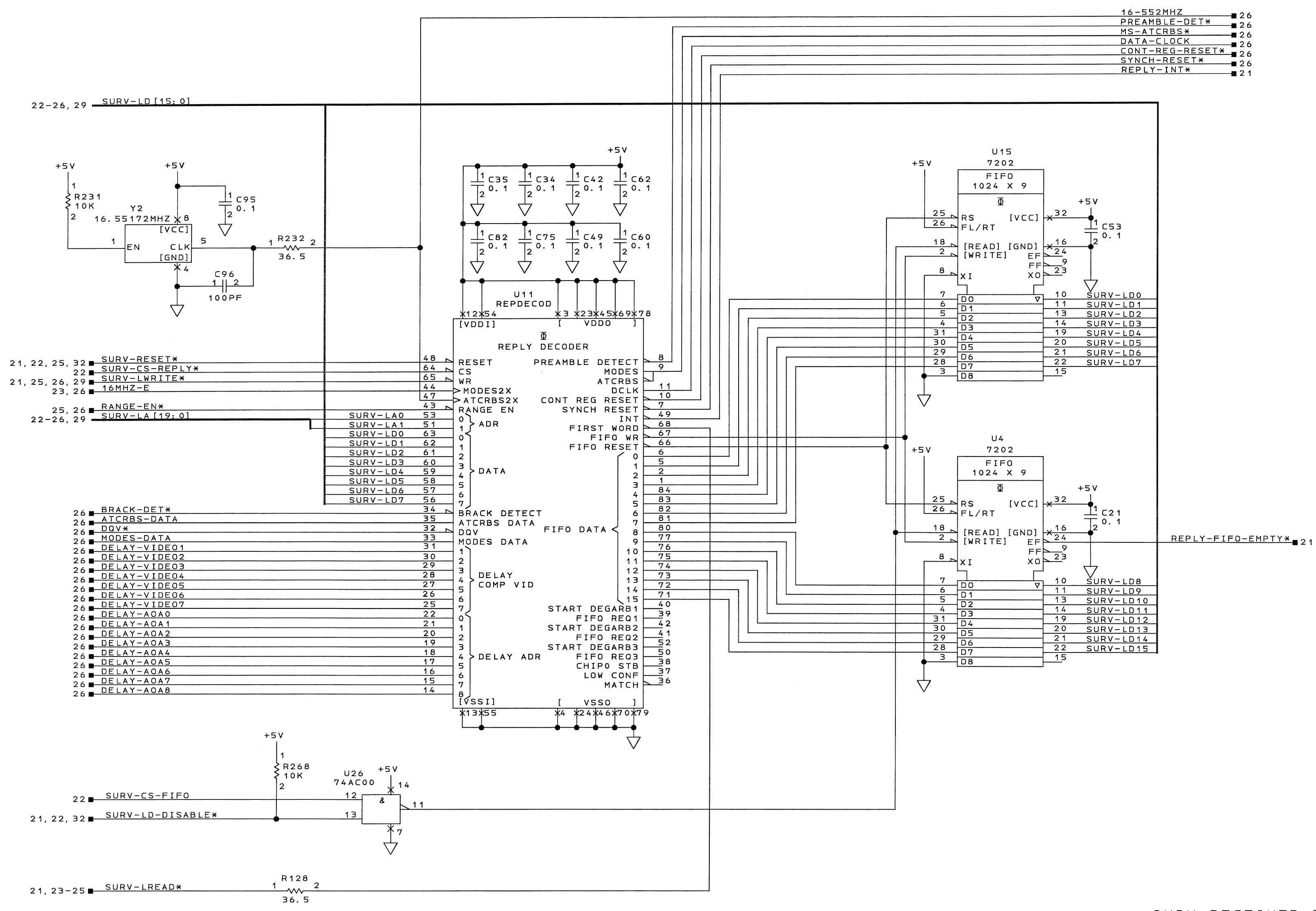


SURV RECEIVER PULSE DECODER
A2 PROCESSOR CCA
SCHEMATIC DIAGRAM SHEET NO. 26

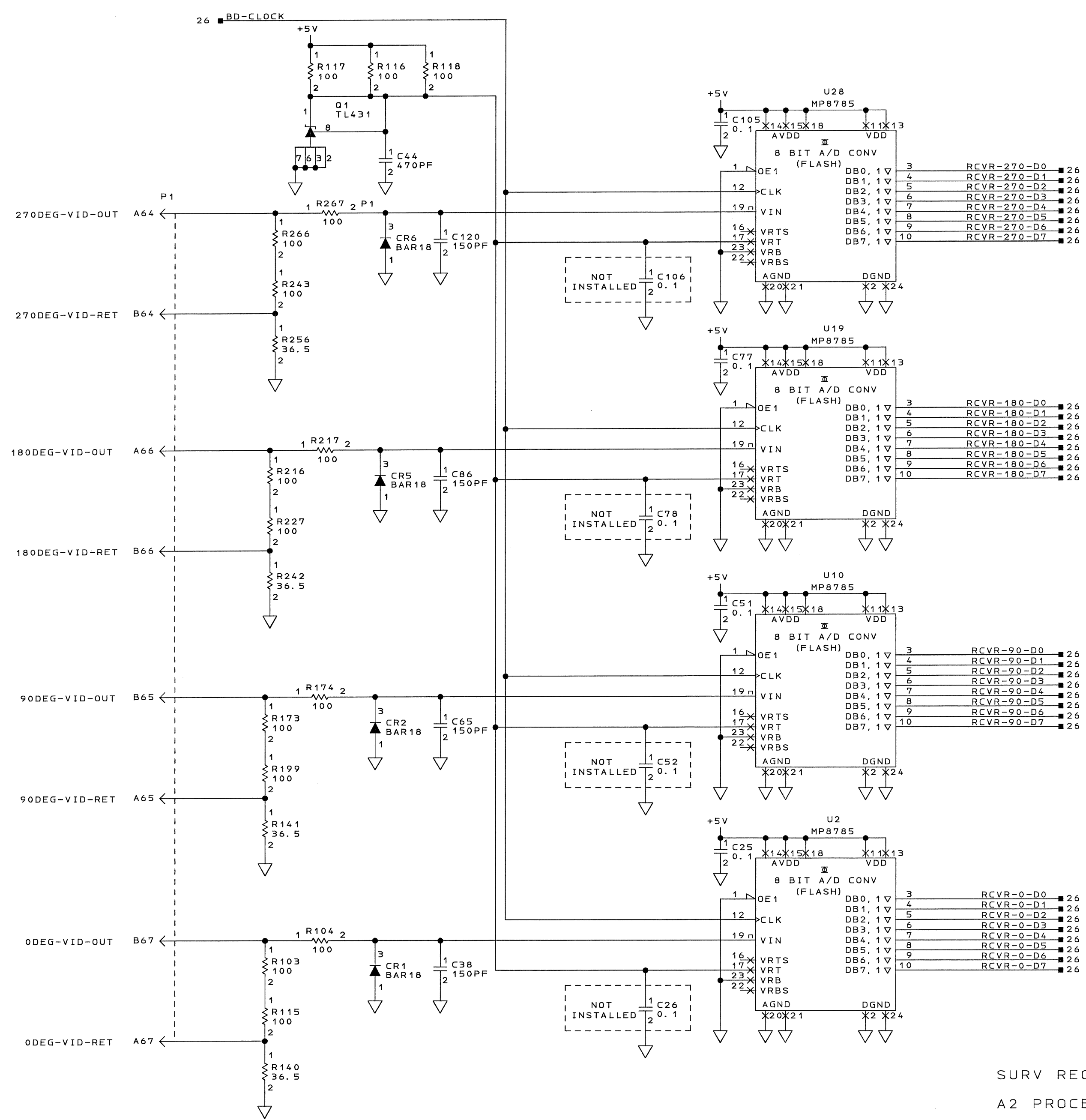
COMPUTER GENERATED



SURV RECEIVER REPLY DECODER
A2 PROCESSOR CCA
SCHEMATIC DIAGRAM SHEET NO. 27

COMPUTER GENERATED

REVISIONS				
ZONE	REV	DESCRIPTION	DATE	APPROVED

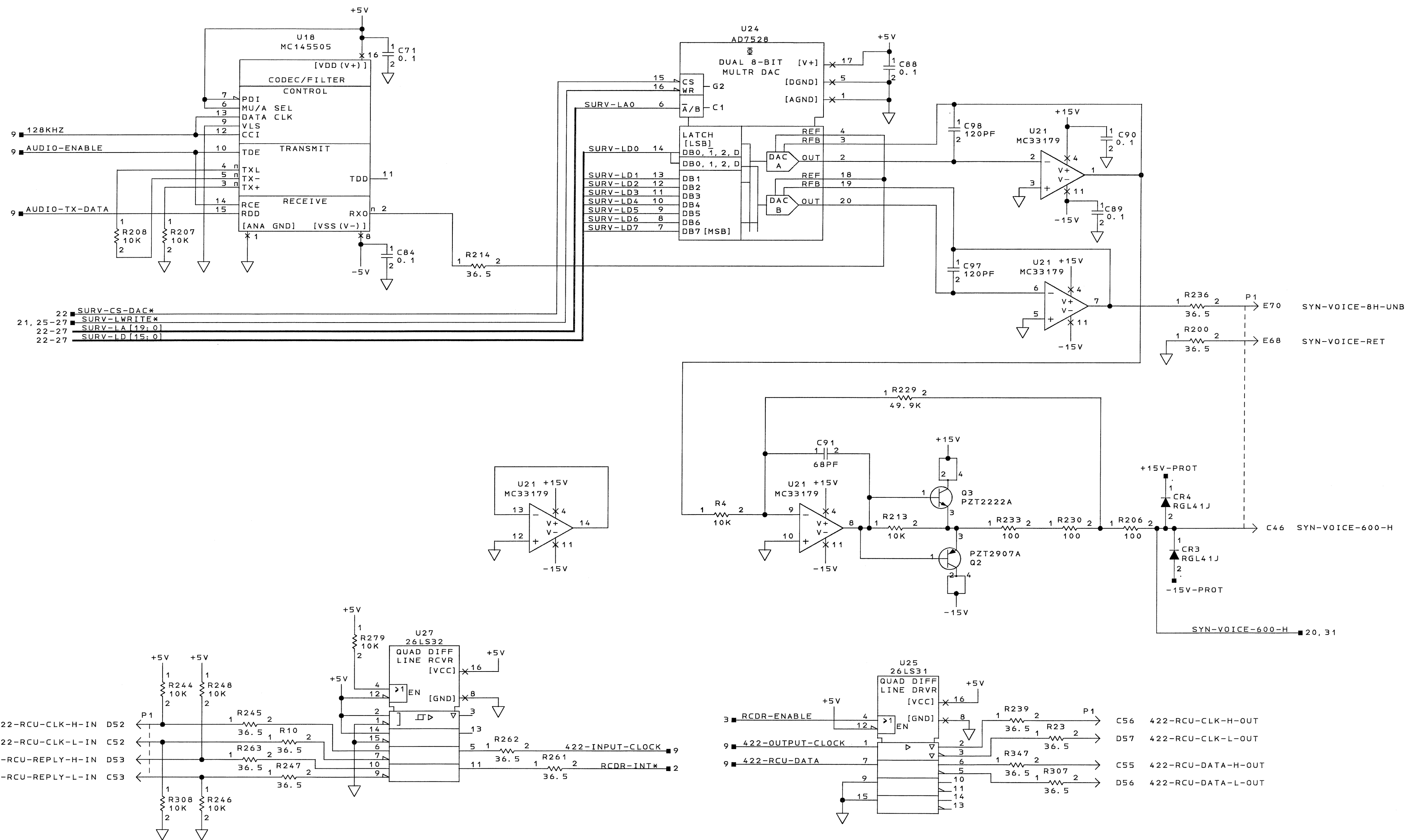


SURV RECEIVER VIDEO A/D CONVERTERS
A2 PROCESSOR CCA
SCHEMATIC DIAGRAM SHEET NO. 28

COMPUTER GENERATED

Honeywell	SEE FIRST SHEET FOR CONTRACT NUMBER. USE OR DISCLOSURE OF INFORMATION ON THIS SHEET IS SUBJECT TO THE RESTRICTIONS ON THE FIRST SHEET OF THIS DOCUMENT.	SIZE E 55939	DRAWING NO. 7517925-903	REV 1
	SCALE	—	SHEET 31	—

REVISIONS				
ZONE	REV	DESCRIPTION	DATE	APPROVED

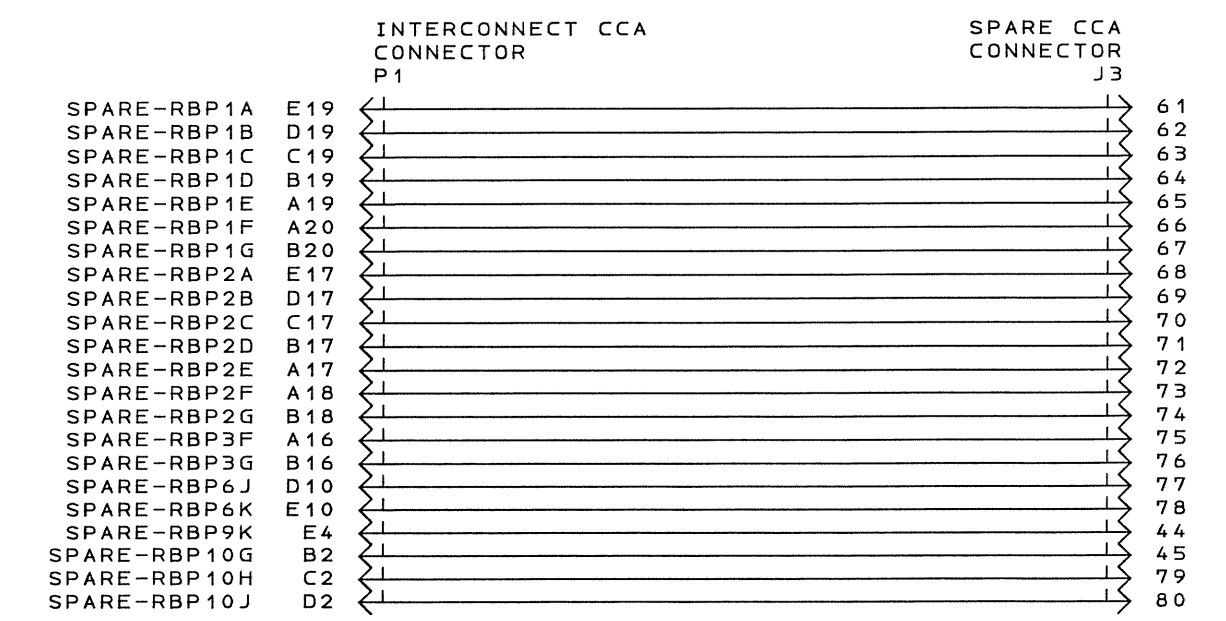
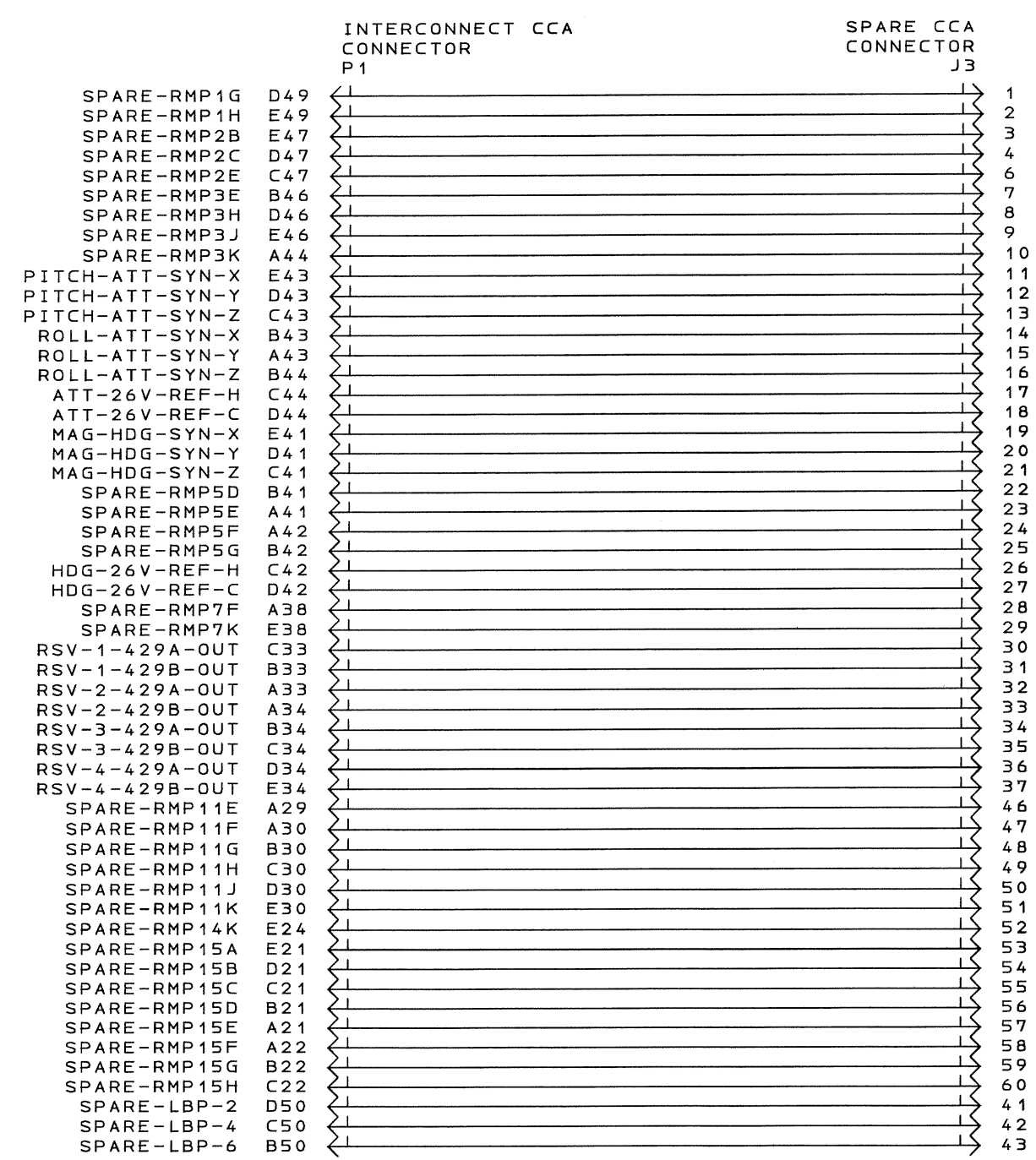


DIGITAL AUDIO DRIVERS
A2 PROCESSOR CCA
SCHEMATIC DIAGRAM SHEET NO. 29

COMPUTER GENERATED

Honeywell	SEE FIRST SHEET FOR CONTRACT NUMBER, USE OR DISCLOSURE OF INFORMATION ON THIS SHEET IS SUBJECT TO THE RESTRICTIONS ON THE FIRST SHEET OF THIS DOCUMENT.	SIZE	E 55939	DRAWING NO.	7517925-903	REV	1
	SCALE	—	—	—	—	—	SHEET 32

REVISIONS				
ZONE	REV	DESCRIPTION	DATE	APPROVED



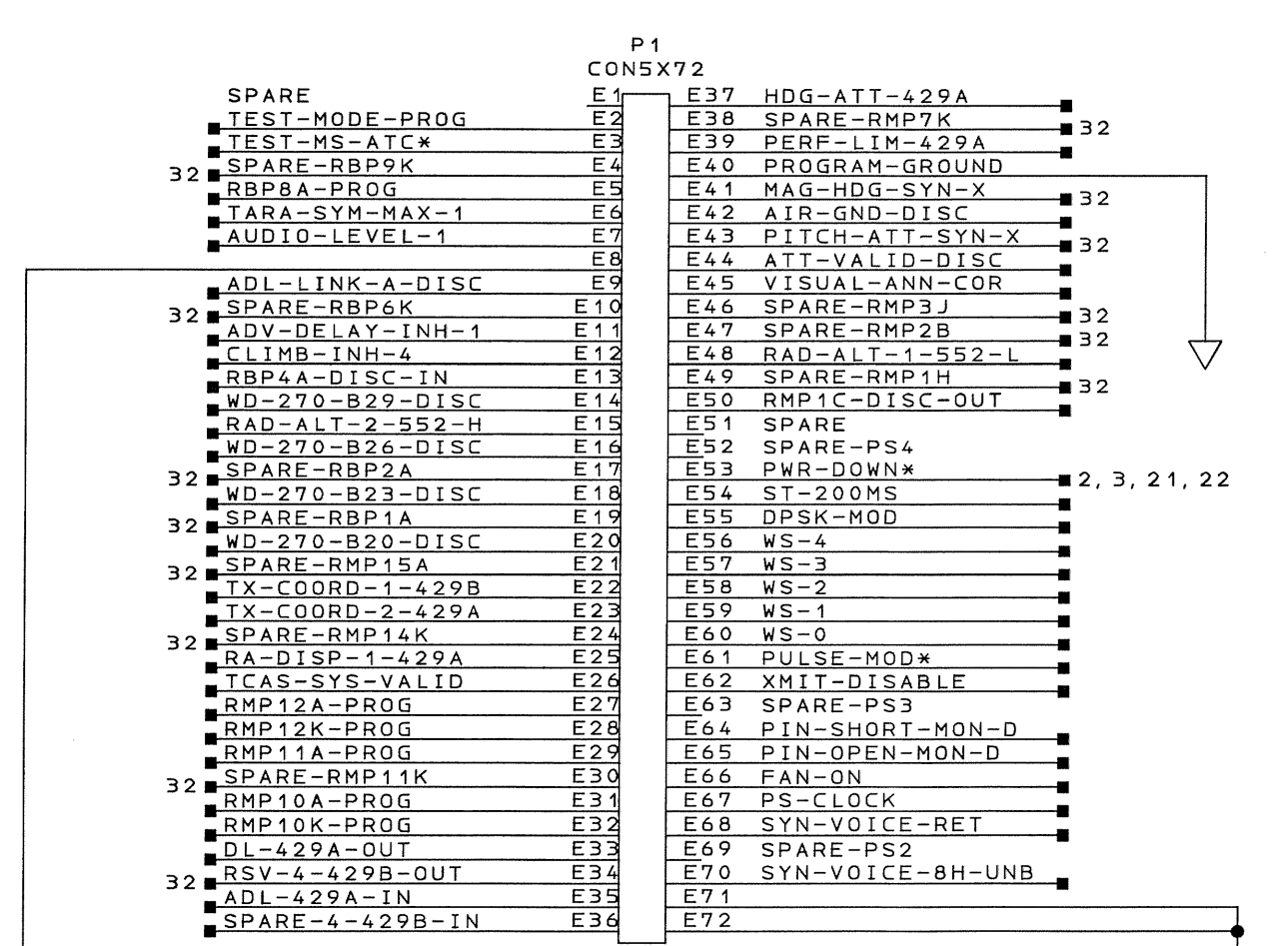
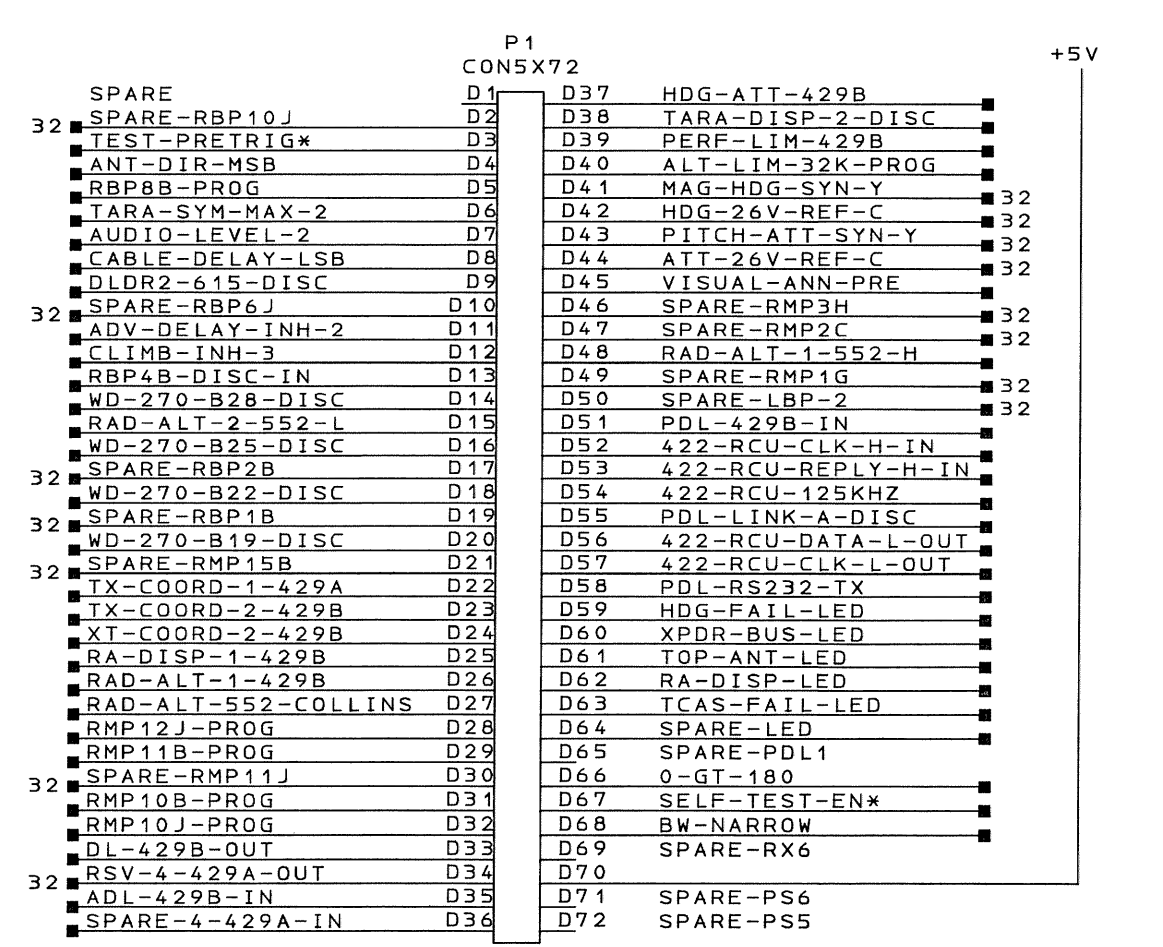
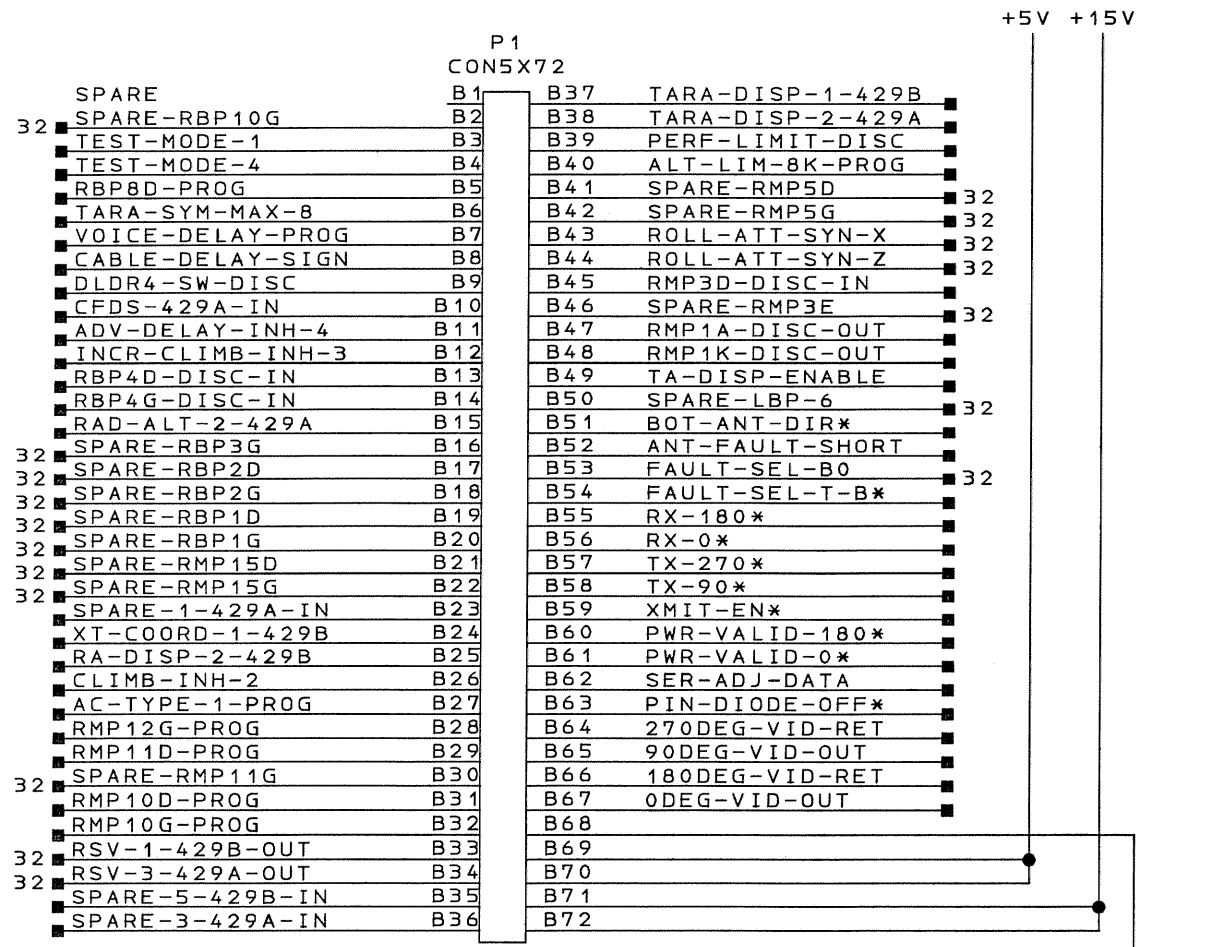
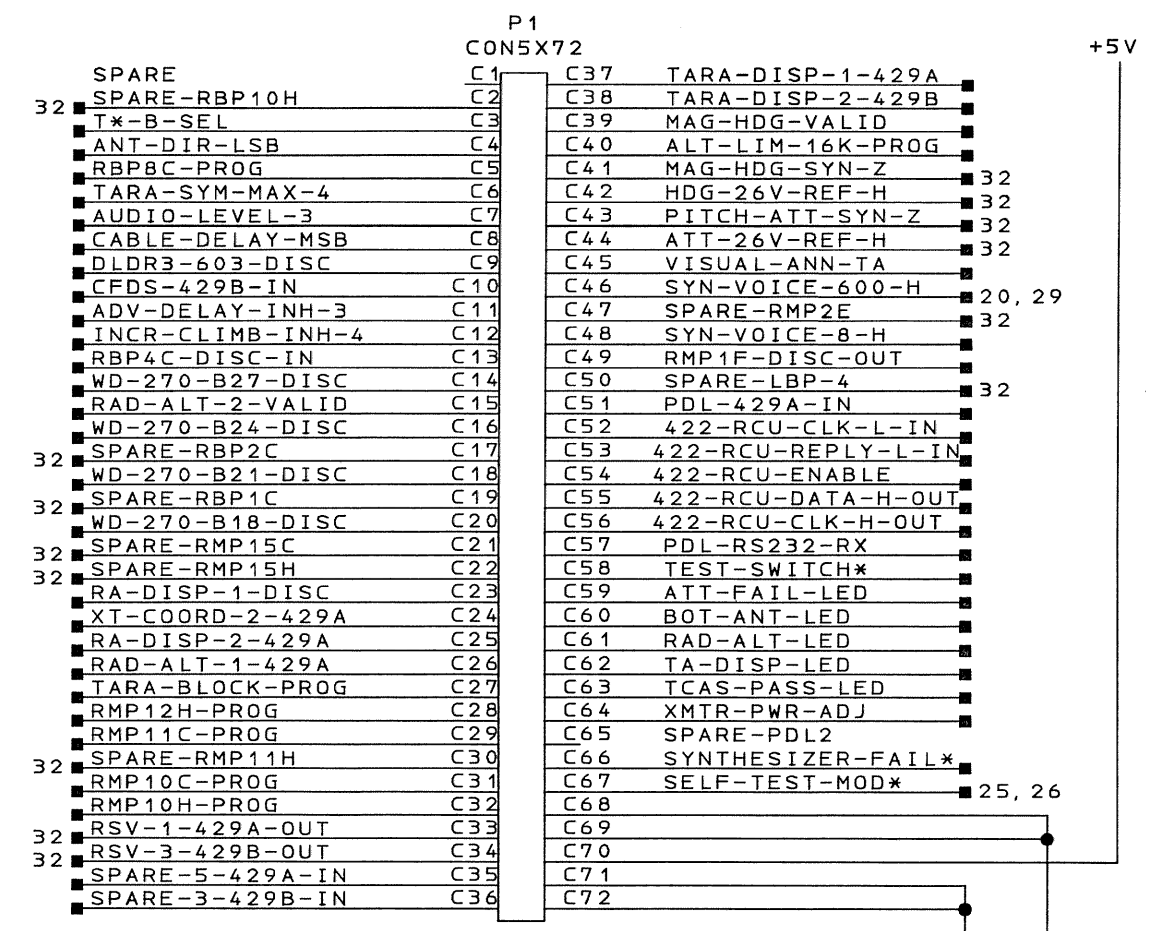
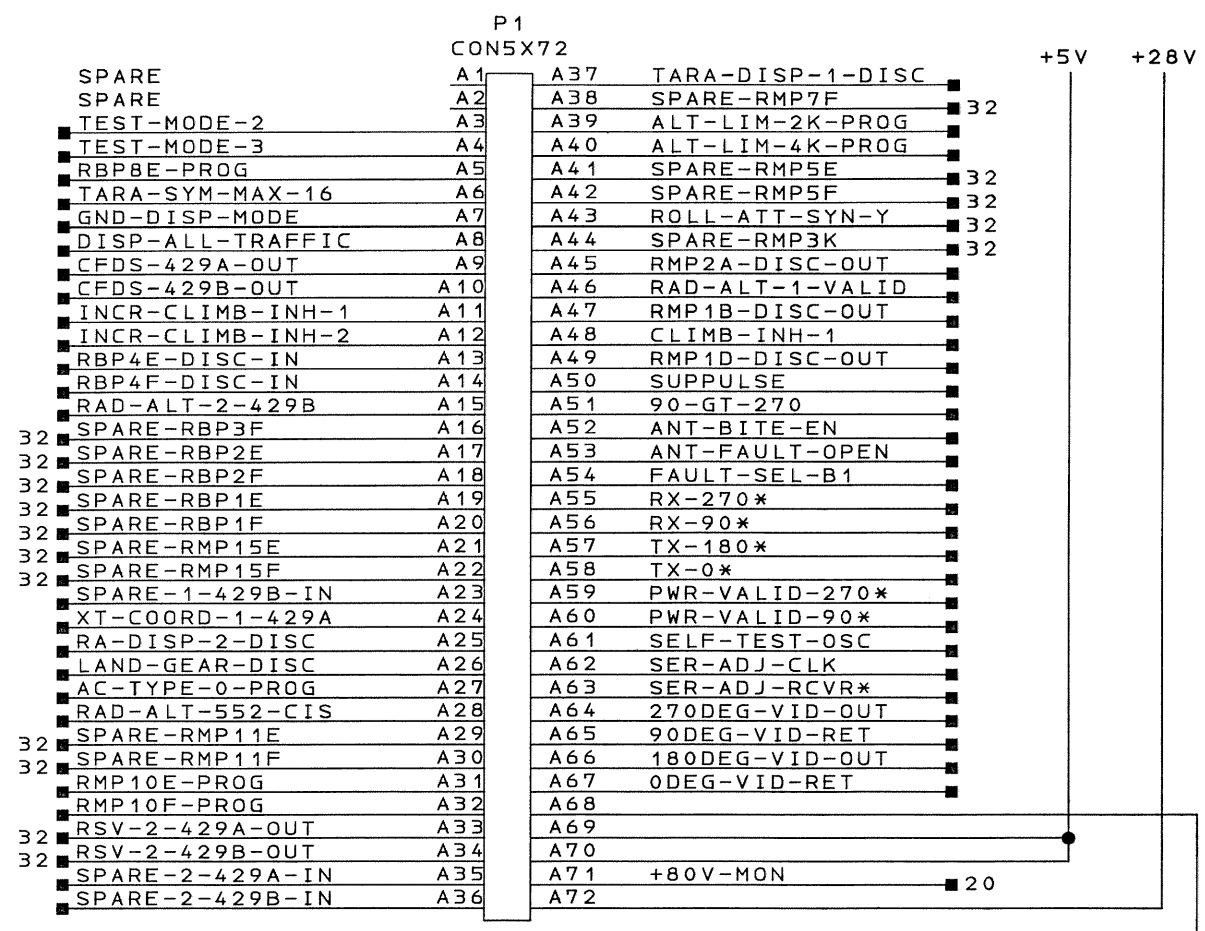
SPARE CCA CONNECTIONS
A2 PROCESSOR CCA
SCHEMATIC DIAGRAM SHEET NO. 30

COMPUTER GENERATED

Honeywell	SEE FIRST SHEET FOR CONTRACT NUMBER. USE OR DISCLOSURE OF INFORMATION ON THIS SHEET IS SUBJECT TO THE RESTRICTIONS ON THE FIRST SHEET OF THIS DOCUMENT.	SIZE	E 55939	DRAWING NO.	7517925-903	REV	-
		SCALE	-	SHEET	33	DATE	

7517925-903
E 33
DATE TIME

REVISIONS				
ZONE	REV	DESCRIPTION	DATE	APPROVED

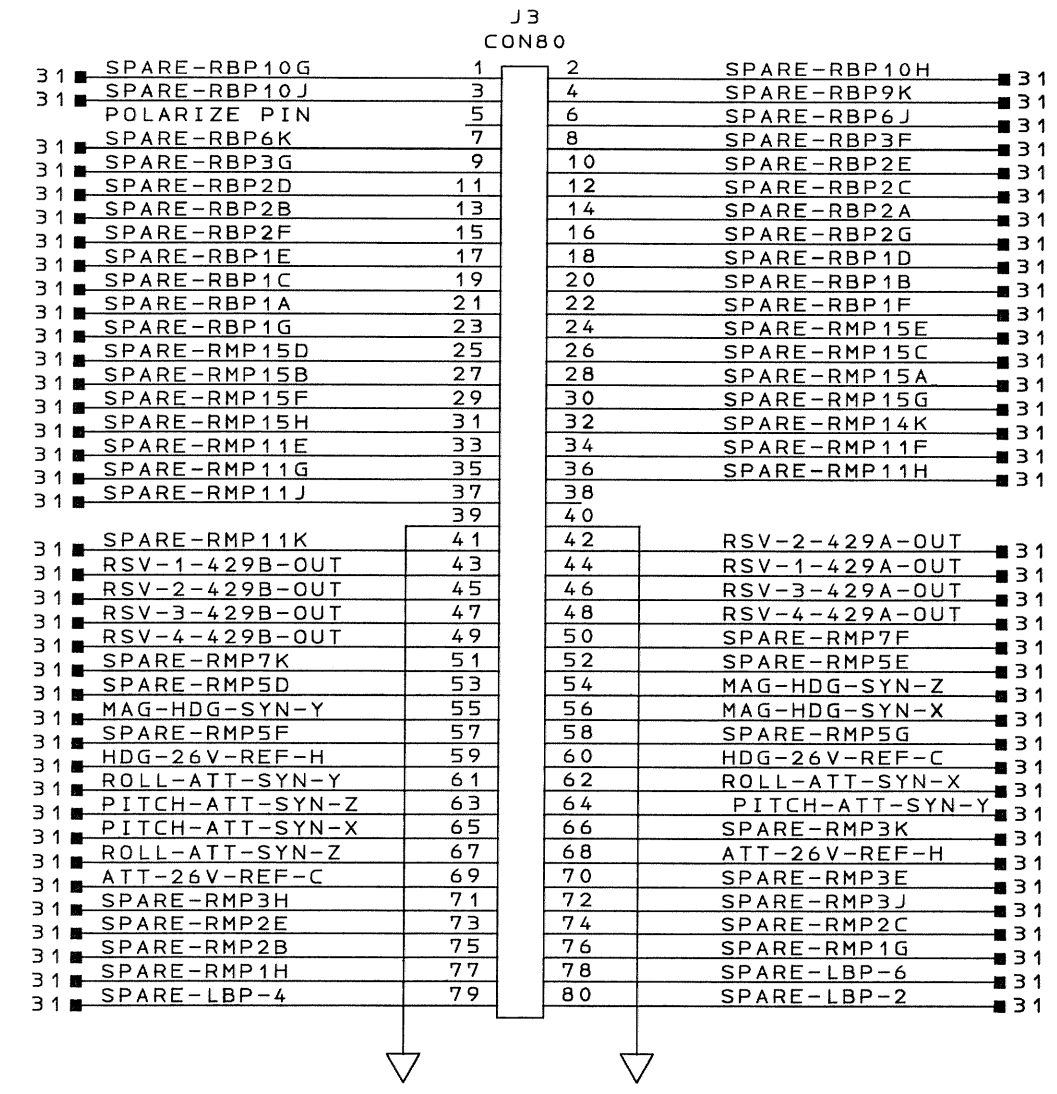
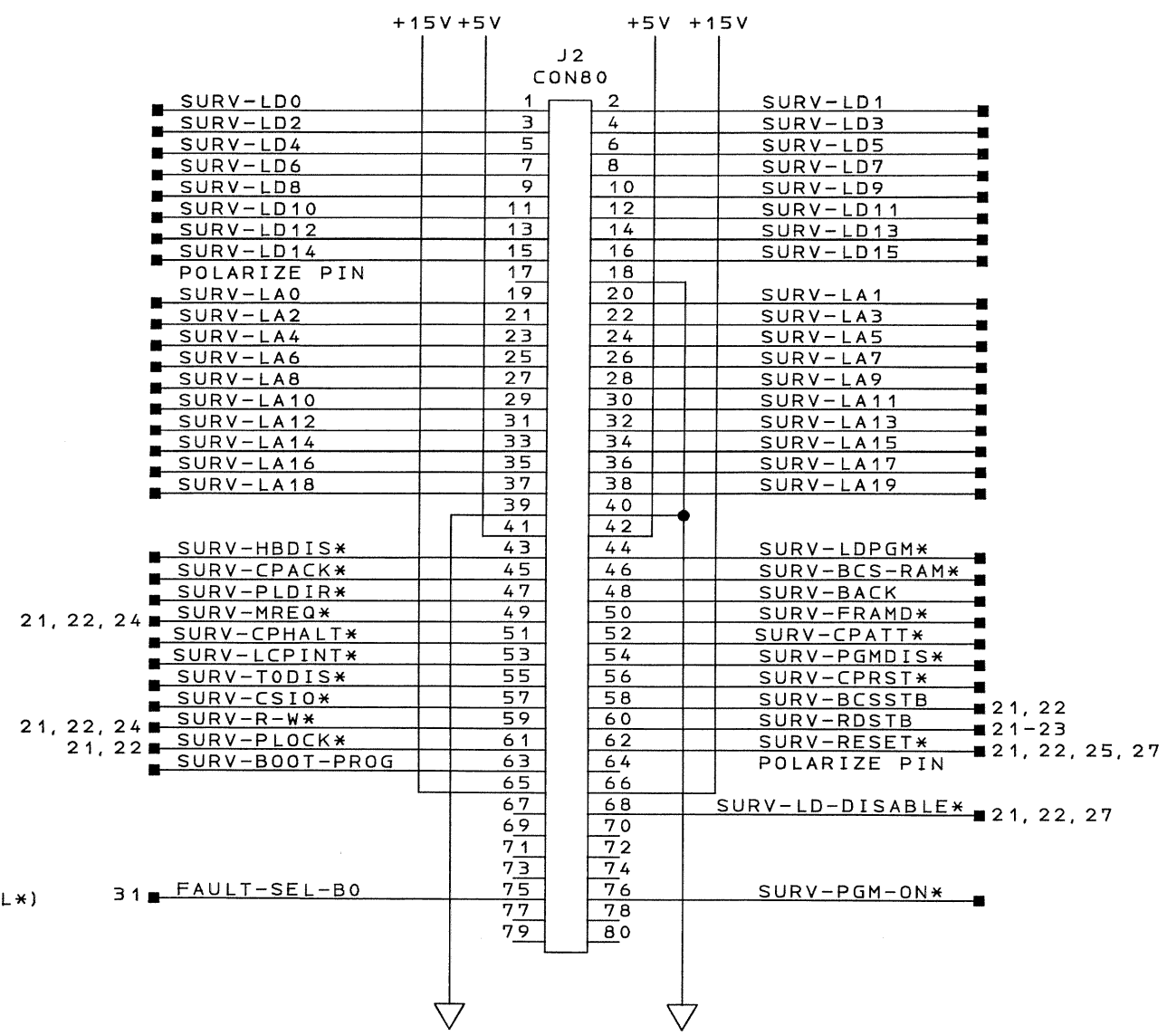
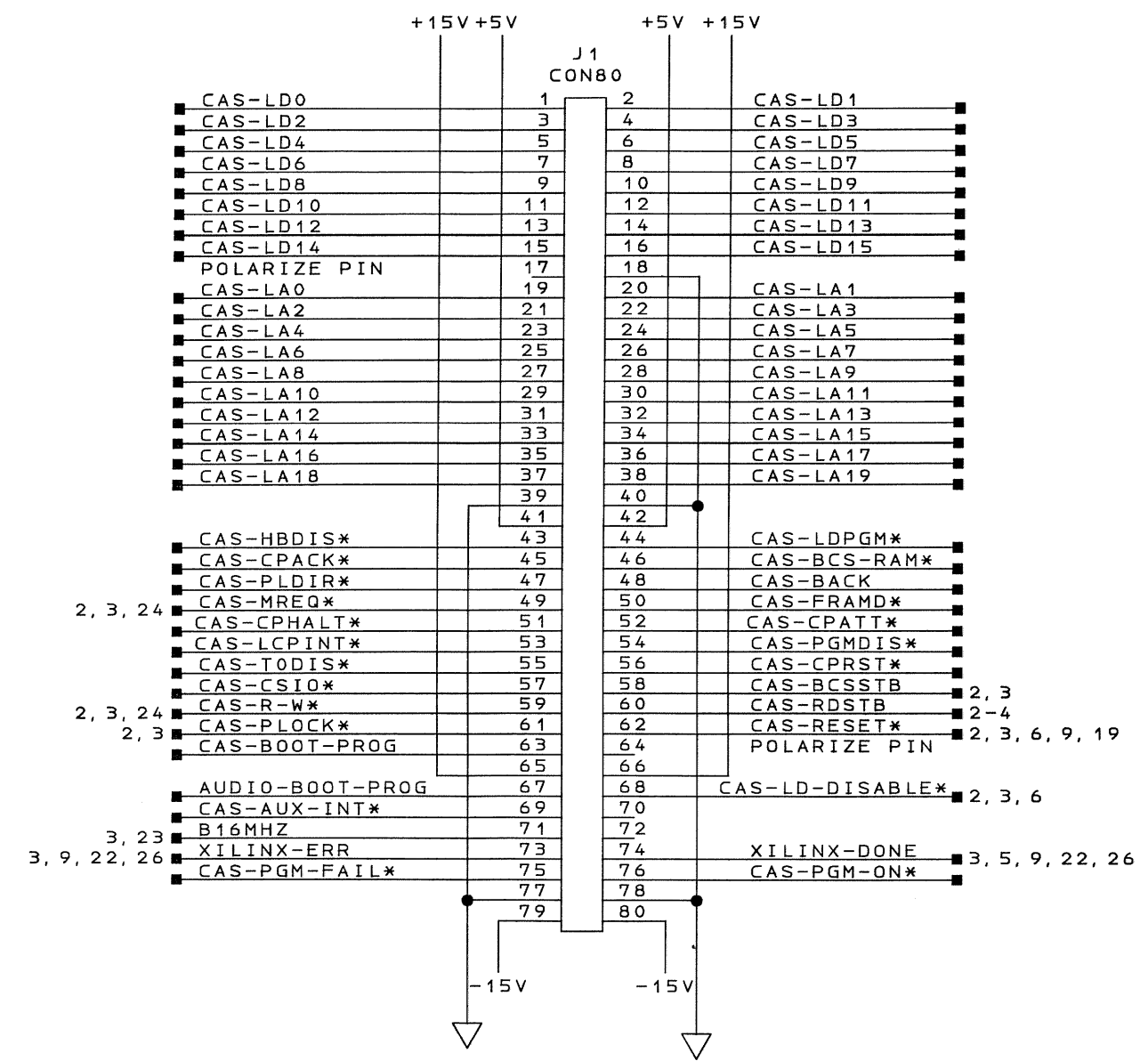


PROCESSOR CONNECTOR
A2 PROCESSOR CCA
SCHEMATIC DIAGRAM SHEET NO. 31

COMPUTER GENERATED

Honeywell	SEE FIRST SHEET FOR CONTRACT NUMBER. USE OR DISCLOSURE OF INFORMATION ON THIS SHEET IS SUBJECT TO THE RESTRICTIONS ON THE FIRST SHEET OF THIS DOCUMENT.	SIZE	E 55939	CAGE CODE	7517925-903	DRAWING NO.	REV	1
SCALE		SHEET		34		DATE		

7517925-903 E34



CAS CPU/ SURV CPU/ SPARE CONNECTORS
A2 PROCESSOR CCA
SCHEMATIC DIAGRAM SHEET NO. 32

COMPUTER GENERATED