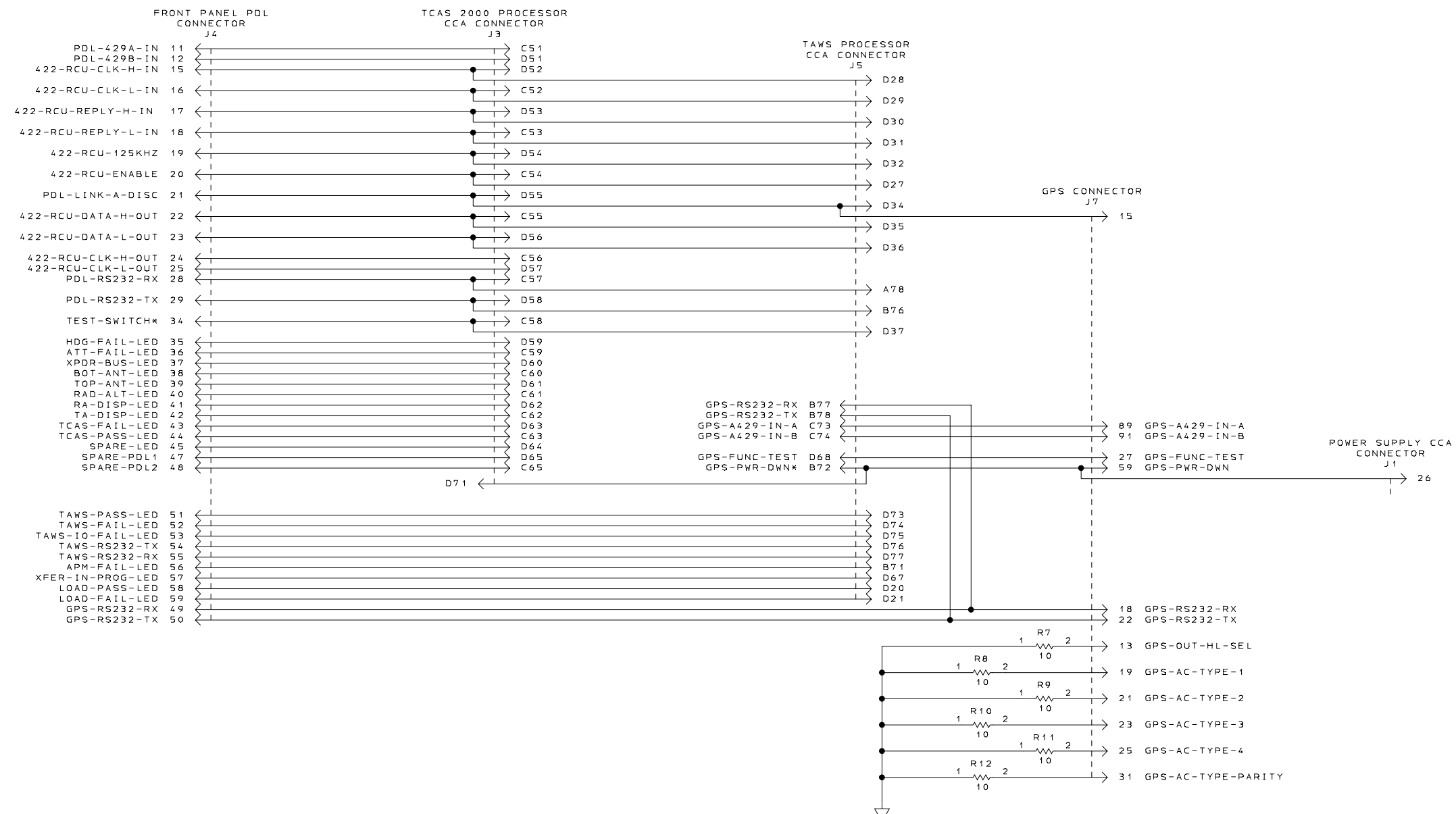


REV		DESCRIPTION	DATE
5209	M	CHANGED BORDER.	07-11-02



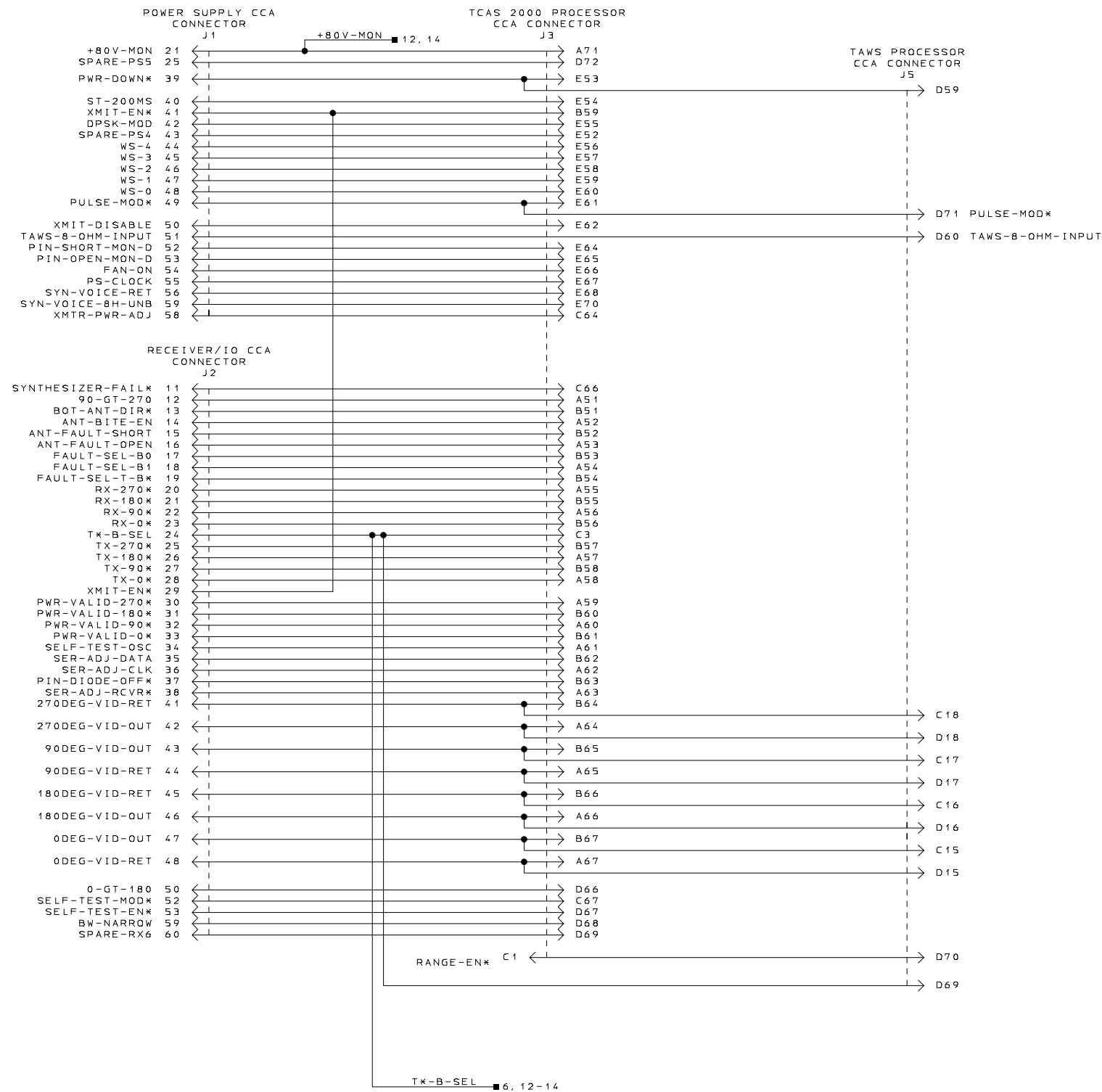
PORTABLE DATA LOADER (PDL) CONNECTOR  
A1 INTERCONNECT CCA  
SCHEMATIC DIAGRAM SHEET NO. 7

COMPUTER GENERATED

ACSS	SEE FIRST SHEET FOR CONTRACT NUMBER, USE OR DISCLOSURE OF INFORMATION ON THIS SHEET IS SUBJECT TO THE RESTRICTIONS ON THE FIRST SHEET OF THIS DOCUMENT.	SIZE	E 1WYD3	CAGE CODE	9000005-001	DRAWING NO.	REV	M
							SCALE	1:0
							SHEET	10

DATE TIME 07-11-02

REVISIONS		
CR	REV	DESCRIPTION
5209	M	CHANGED BORDER.



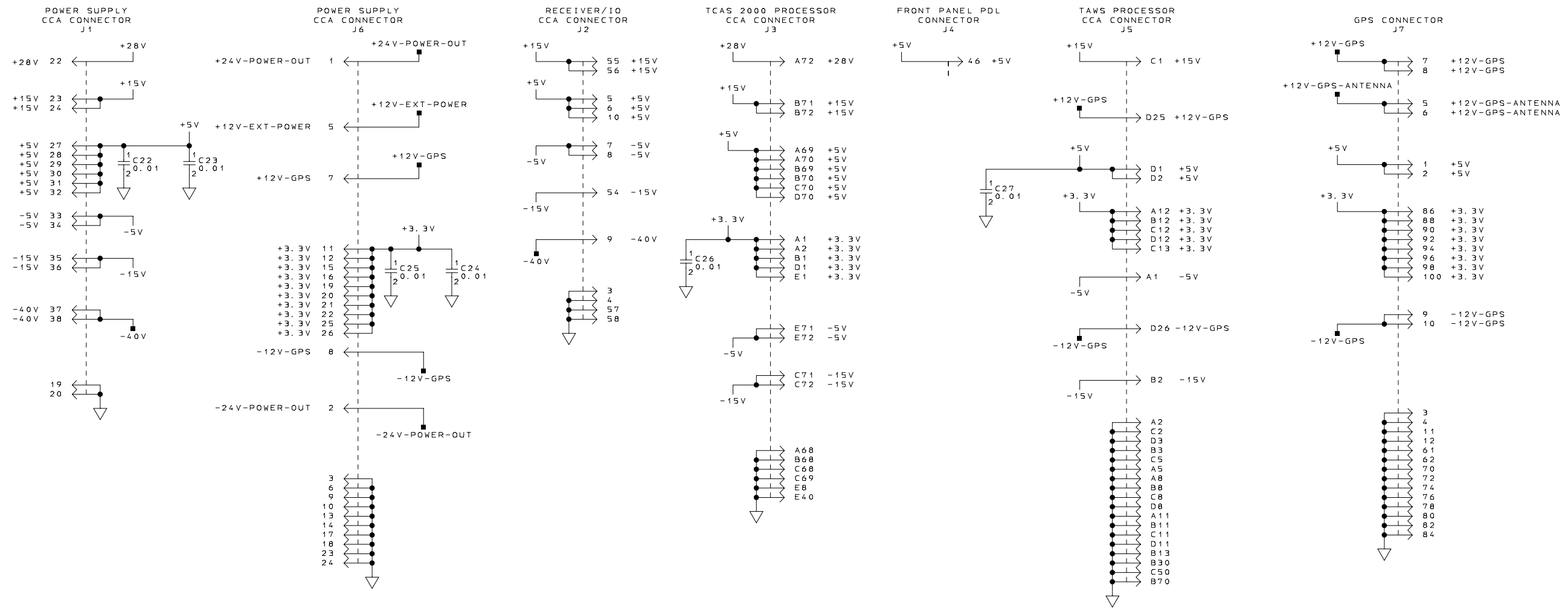
POWER SUPPLY AND  
RECEIVER I/O CONNECTORS  
A1 INTERCONNECT CCA  
SCHEMATIC DIAGRAM SHEET NO. 8

COMPUTER GENERATED

ACSS	SEE FIRST SHEET FOR CONTRACT NUMBER. USE OR DISCLOSURE OF INFORMATION ON THIS SHEET IS SUBJECT TO THE RESTRICTIONS ON THE FIRST SHEET OF THIS DOCUMENT.	SIZE	CAGE CODE	DRAWING NO.	REV
		E	1WYD3	9000005-001	M
SCALE		SHEET 11		DATE/TIME	

9000005-001

REVISED		DESCRIPTION	DATE
CR	REV		
5209	M	CHANGED BORDER.	07-11-02



POWER SUPPLY CONNECTORS  
A1 INTERCONNECT CCA  
SCHEMATIC DIAGRAM SHEET NO. 9

COMPUTER GENERATED

ACSS	SEE FIRST SHEET FOR CONTRACT NUMBER, USE OR DISCLOSURE OF INFORMATION ON THIS SHEET IS SUBJECT TO THE RESTRICTIONS ON THE FIRST SHEET OF THIS DOCUMENT.	SIZE	CAGE CODE	DRAWING NO.	REV
		E	1WYD3	9000005-001	M
SCALE		SHEET		12	

DATE TIME 100-5000006-001

REV		DESCRIPTION	DATE
5209	M	CHANGED BORDER.	07-11-02

P1D		
1, 13	A453-1A	1A
1, 13	A453-1B	1B
1, 13	A429-IN-1A	1C
1, 13	A429-IN-1B	1D
1, 13	A453-2A	1E
1, 13	A453-2B	1F
1, 13	A429-IN-2A	1G
1, 13	A429-IN-2B	1H
1, 13	A429-IN-3A	1J
1, 13	A429-IN-3B	1K

P1D		
1, 13	A429-IN-16A SYN-BX	6A
1, 13	A429-IN-16B SYN-BZ	6B
1, 13	SYN-8Y	6C
1, 13	SYN-9X	6D
1, 13	SYN-9Z	6E
1, 13	SYN-9Y	6F
1, 13	SYN-10X	6G
1, 13	SYN-10Z	6H
1, 13	SYN-10Y	6J
1, 13	SYN-14Z	6K

P1D		
2, 13	GND-DISC-IN13	11A
2, 13	GND-DISC-IN14	11B
2, 13	GND-DISC-IN15	11C
2, 13	GND-DISC-IN16	11D
2, 13	GND-DISC-IN17	11E
2, 13	GND-DISC-IN18	11F
2, 13	GND-DISC-IN19	11G
2, 13	GND-DISC-IN20	11H
2, 13	GND-DISC-IN21	11J
2, 13	GND-DISC-IN22	11K

P1D		
1	ENET-1-TX-P	2A
1	ENET-1-TX-N	2B
1	ENET-1-RX-P	2C
1	ENET-1-RX-N	2D
1, 13	A429-IN-4A	2E
1, 13	A429-IN-4B	2F
1	ENET-2-TX-P	2G
1	ENET-2-TX-N	2H
1	ENET-2-RX-P	2J
1	ENET-2-RX-N	2K

P1D		
1, 13	SYN-11X	7A
1, 13	SYN-11Z	7B
1, 13	SYN-11Y	7C
1, 13	SYN-12X	7D
1, 13	SYN-12Z	7E
1, 13	SYN-12Y	7F
1, 13	SYN-13X	7G
1, 13	SYN-13Z	7H
1, 13	SYN-13Y	7J
1, 13	SYN-14Y	7K

P1D		
2, 13	28V-DISC-IN1	12A
2, 13	28V-DISC-IN2	12B
2, 13	28V-DISC-IN3	12C
2, 13	28V-DISC-IN4	12D
2, 13	28V-DISC-IN5	12E
2, 13	28V-DISC-IN6	12F
2, 13	28V-DISC-IN7	12G
2, 13	28V-DISC-IN8	12H
2, 13	28V-DISC-IN9	12J
2, 13	28V-DISC-IN10	12K

P1D		
1, 13	A429-IN-5A	3A
1, 13	A429-IN-5B	3B
1, 13	A429-IN-6A	3C
1, 13	A429-IN-6B	3D
1, 13	A429-IN-7A	3E
1, 13	A429-IN-7B	3F
1, 13	A429-IN-8A 422-IN-H	3G
1, 13	A429-IN-8B 422-IN-L	3H
1, 13	A429-IN-9A SYN-1X	3J
1, 13	A429-IN-9B SYN-1Z	3K

P1D		
1, 13	A429-OUT-1A	8A
1, 13	A429-OUT-1B	8B
1, 13	422-OUT-H	8C
1, 13	422-OUT-L	8D
1, 13	A429-OUT-2A	8E
1, 13	A429-OUT-2B	8F
1, 13	GS-DEV-1P	8G
1, 13	GS-DEV-1N	8H
1, 13	LOC-DEV-1P	8J
1, 13	LOC-DEV-1N	8K

P1D		
2, 13	28V-DISC-IN11	13A
2, 13	GND-DISC-OUT1	13B
2, 13	GND-DISC-OUT2	13C
2, 13	GND-DISC-OUT3	13D
2, 13	GND-DISC-OUT4	13E
2, 13	GND-DISC-OUT5	13F
2, 13	GND-DISC-OUT6	13G
2, 13	GND-DISC-OUT7	13H
2, 13	GND-DISC-OUT8	13J
2, 13	GND-DISC-OUT9	13K

P1D		
1, 13	A429-IN-10A SYN-2X	4A
1, 13	A429-IN-10B SYN-2Z	4B
1, 13	SYN-2Y	4C
1, 13	A429-IN-11A SYN-3X	4D
1, 13	A429-IN-11B SYN-3Z	4E
1, 13	SYN-3Y	4F
1, 13	A429-IN-12A SYN-4X	4G
1, 13	A429-IN-12B SYN-4Z	4H
1, 13	SYN-4Y	4J
1, 13	SYN-1Y	4K

P1D		
2, 13	DC-IN-1P	9A
2, 13	DC-IN-1N	9B
2, 13	GS-DEV-2P	9C
2, 13	GS-DEV-2N	9D
2, 13	LOC-DEV-2P	9E
2, 13	LOC-DEV-2N	9F
2, 13	DC-IN-2P	9G
2, 13	DC-IN-2N	9H
2, 13	GND-DISC-IN1	9J
2, 13	GND-DISC-IN2	9K

P1D		
2, 13	GND-DISC-OUT10	14A
2, 13	GND-MON-OUT1	14B
2, 13	GND-MON-OUT2	14C
2, 13	GND-MON-OUT3	14D
2, 13	DC-TAT-RET	14E
2, 13	DC-ALT-RATE-S	14F
2, 13	DC-ALT-RATE-P	14G
2, 13	DC-ALT-RATE-N	14H
2, 13	DC-REF-5V	14J
2, 13	DC-REF-RET	14K

P1D		
1, 13	A429-IN-13A SYN-5X	5A
1, 13	A429-IN-13B SYN-5Z	5B
1, 13	SYN-5Y	5C
1, 13	A429-IN-14A SYN-6X	5D
1, 13	A429-IN-14B SYN-6Z	5E
1, 13	SYN-6Y	5F
1, 13	A429-IN-15A SYN-7X	5G
1, 13	A429-IN-15B SYN-7Z	5H
1, 13	SYN-7Y	5J
1, 13	SYN-14X	5K

P1D		
2, 13	GND-DISC-IN3	10A
2, 13	GND-DISC-IN4	10B
2, 13	GND-DISC-IN5	10C
2, 13	GND-DISC-IN6	10D
2, 13	GND-DISC-IN7	10E
2, 13	GND-DISC-IN8	10F
2, 13	GND-DISC-IN9	10G
2, 13	GND-DISC-IN10	10H
2, 13	GND-DISC-IN11	10J
2, 13	GND-DISC-IN12	10K

P1D		
2, 12	TAWS-AUDIO-8H	15A
2, 13	TAWS-AUDIO-600H	15B
2, 13	TAWS-AUDIO-RET	15C
2, 9, 12	+12V-EXT-POWER	15D
2, 13	APM-GND	15E
2, 13	APM-CLOCK	15F
2, 13	APM-DATA-OUT	15G
2, 13	APM-DATA-IN	15H
2, 13	APM-ENABLE1	15J
2, 13	APM-WR-ENABLE1	15K

ARINC 600 CONNECTOR  
A1 INTERCONNECT CCA  
SCHEMATIC DIAGRAM SHEET NO. 10

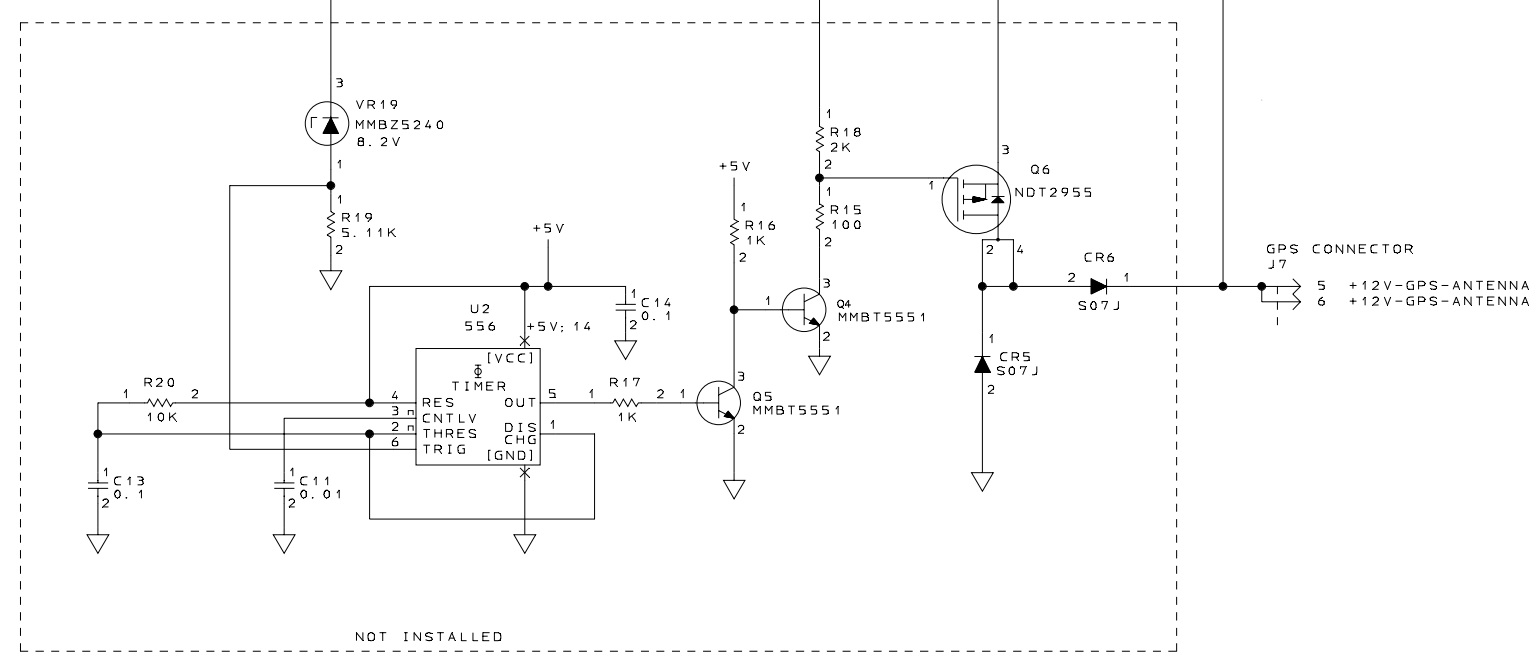
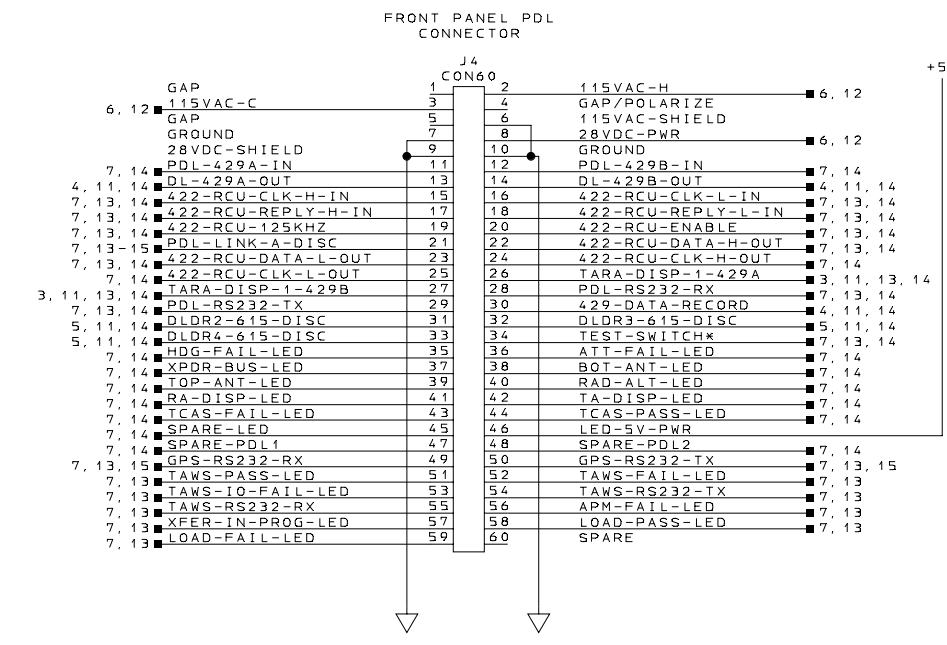
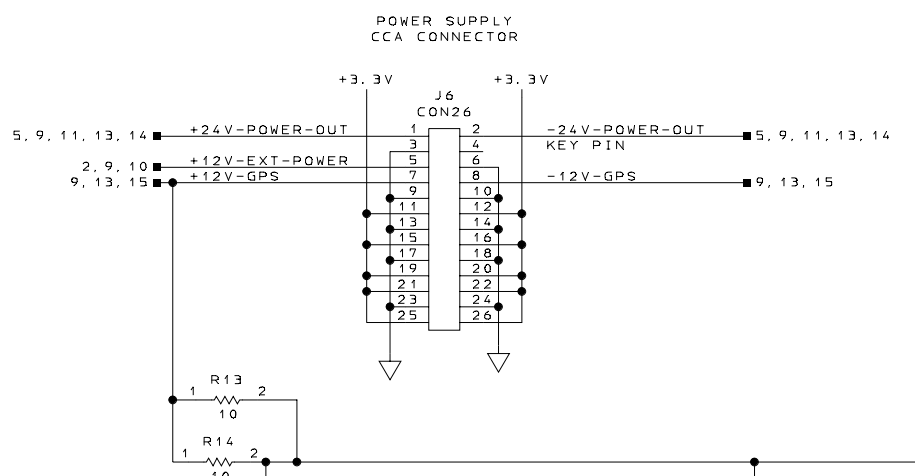
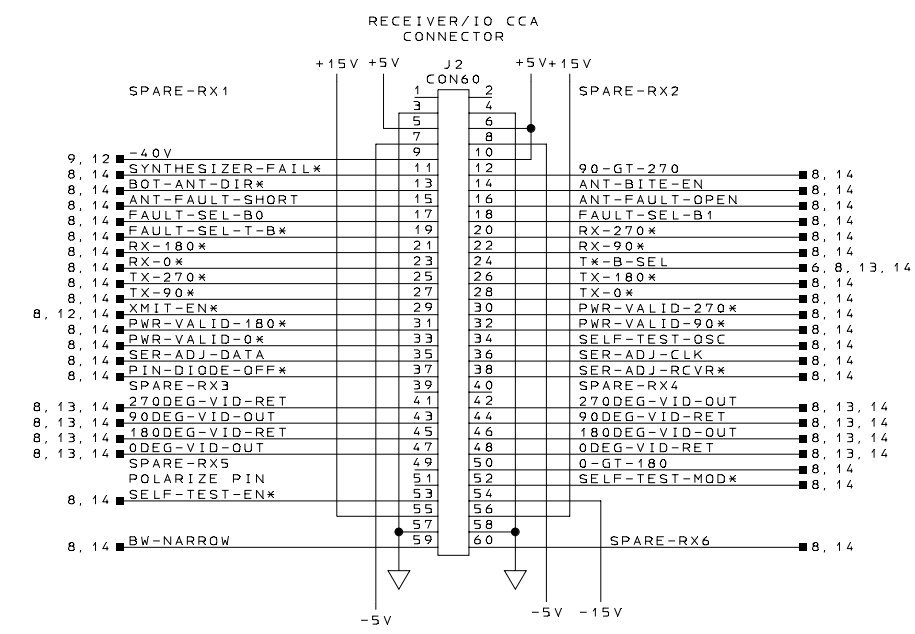
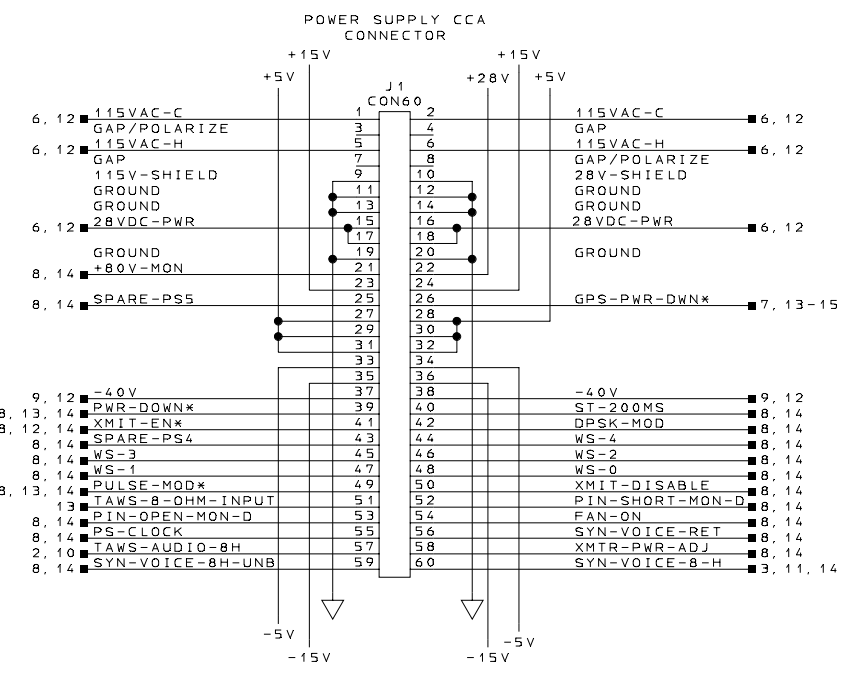
COMPUTER GENERATED

ACSS	SEE FIRST SHEET FOR CONTRACT NUMBER. USE OR DISCLOSURE OF INFORMATION ON THIS SHEET IS SUBJECT TO THE RESTRICTIONS ON THE FIRST SHEET OF THIS DOCUMENT.	SIZE CAGE CODE DRAWING NO. E 1WYD3 9000005-001	REV M
		SCALE	SHEET 13

DATE TIME 100-5000005-001



REV		DESCRIPTION	DATE
2976	K	UNINSTALLED R15 - R20, C11, C13, C14, CR5, CR6, Q4 - Q6, U2, AND VR19.	05-14-02
5209	M	CHANGED BORDER.	07-11-02



NOT INSTALLED

POWER SUPPLY / RECEIVER I/O / PDL  
A1 INTERCONNECT CCA  
SCHEMATIC DIAGRAM SHEET NO. 12

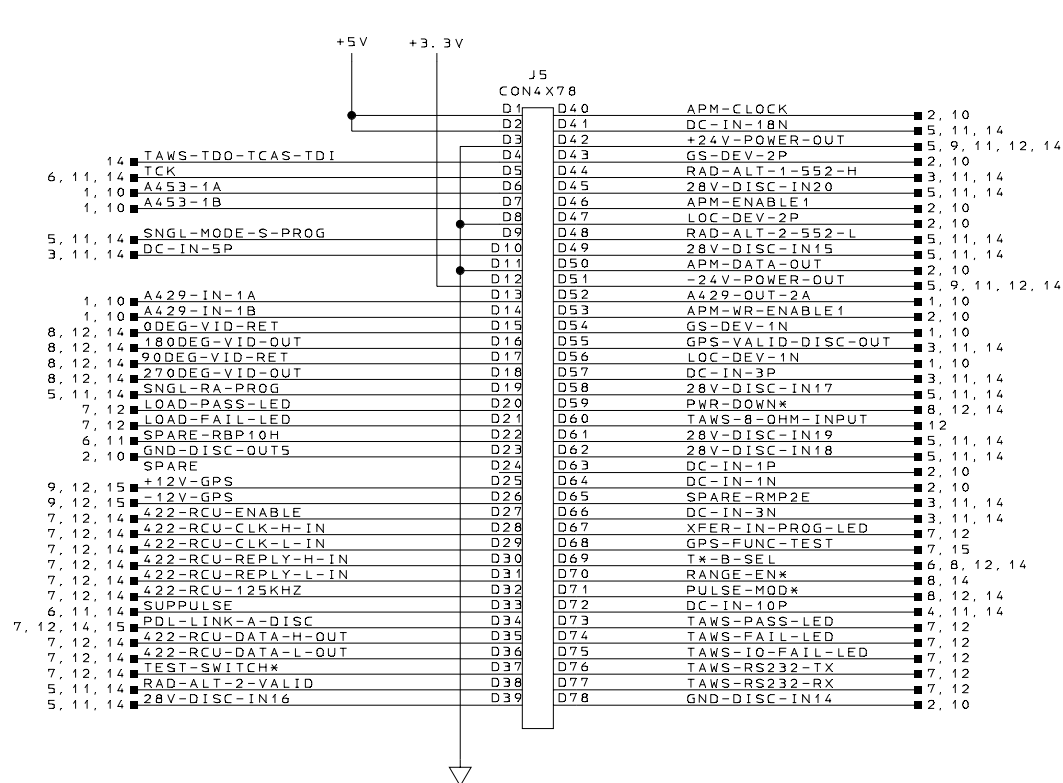
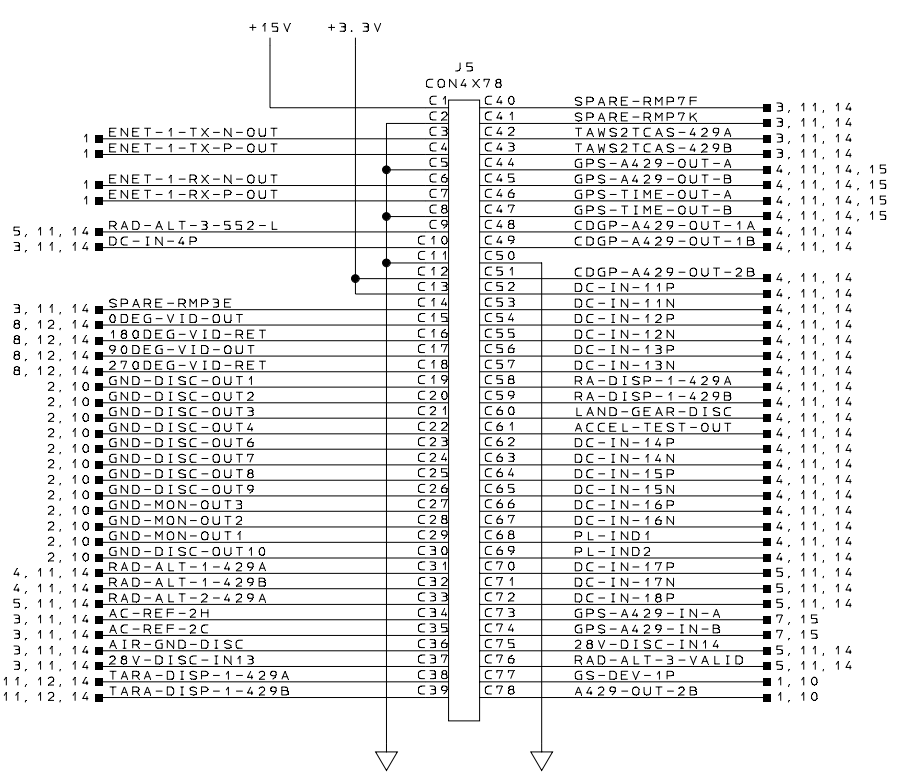
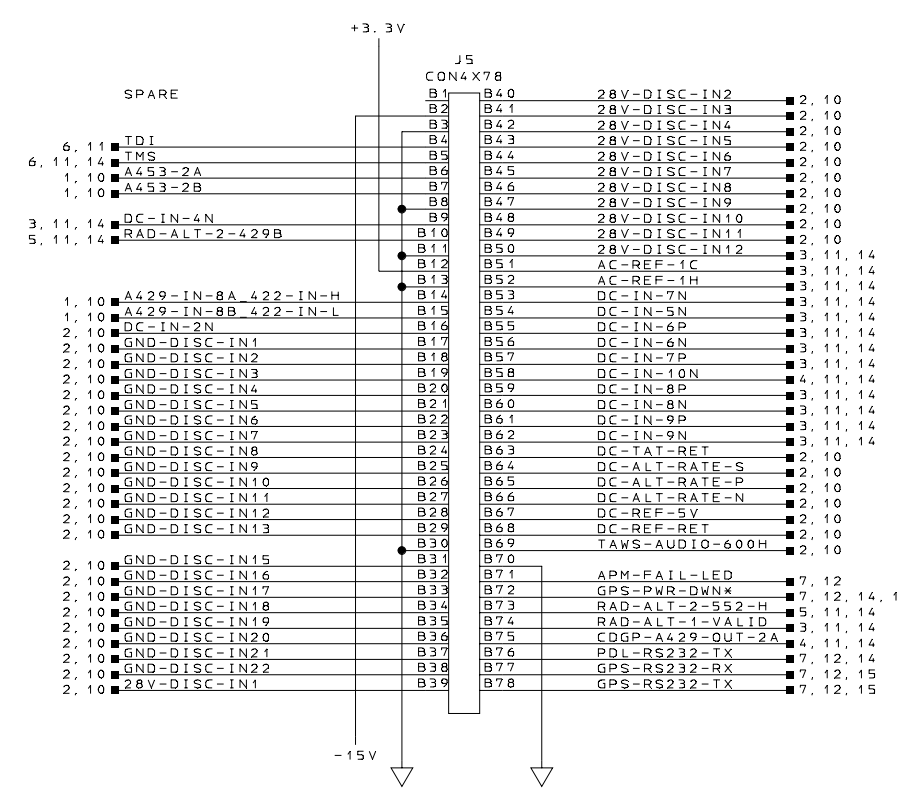
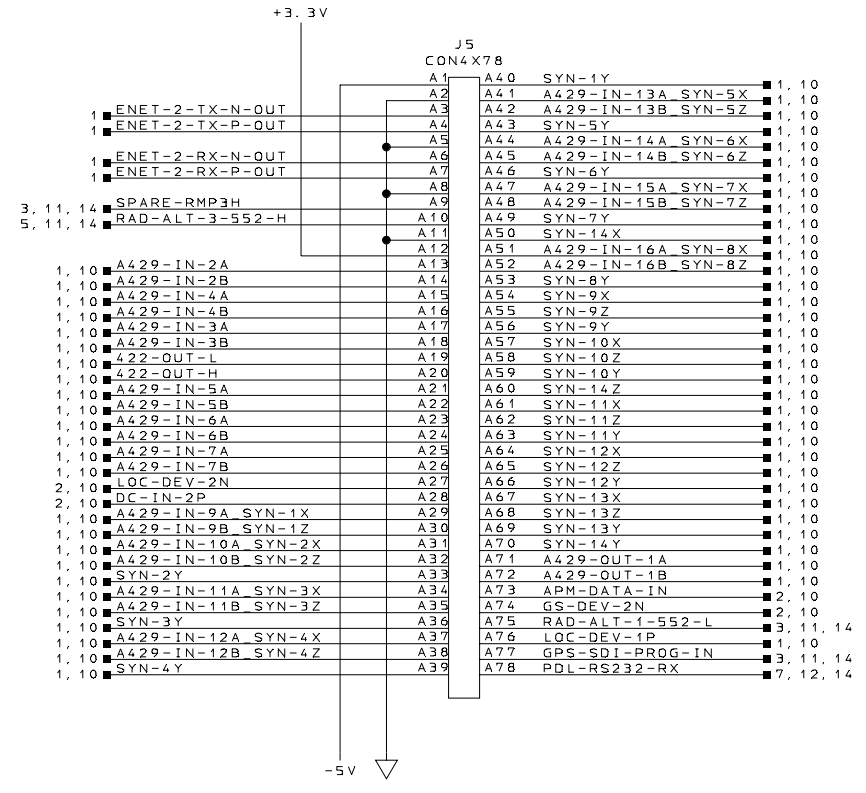
COMPUTER GENERATED

H  
G  
F  
E  
D  
C  
B  
A

H  
G  
F  
E  
D  
C  
B  
A

DATE TIME

REV		DESCRIPTION	DATE
2976	K	CORRECTED DWG NO. WAS 900000-001.	05-14-02
5209	M	CHANGED BORDER.	07-11-02



TAWS PROCESSOR CONNECTOR  
A1 INTERCONNECT CCA  
SCHEMATIC DIAGRAM SHEET NO. 13

COMPUTER GENERATED

ACSS	SEE FIRST SHEET FOR CONTRACT NUMBER, USE OR DISCLOSURE OF INFORMATION ON THIS SHEET IS SUBJECT TO THE RESTRICTIONS ON THE FIRST SHEET OF THIS DOCUMENT.	SIZE	CAGE CODE	DRAWING NO.	REV
		E	1WYD3	9000005-001	M
		SCALE		SHEET	16

DATE TIME

REV		DESCRIPTION	DATE
5209	M	CHANGED BORDER.	07-11-02



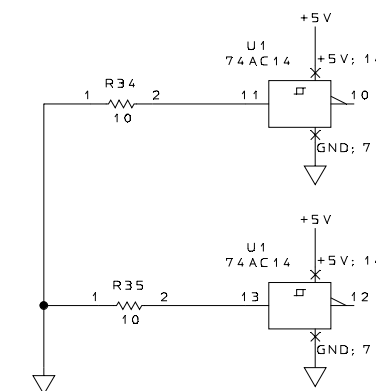
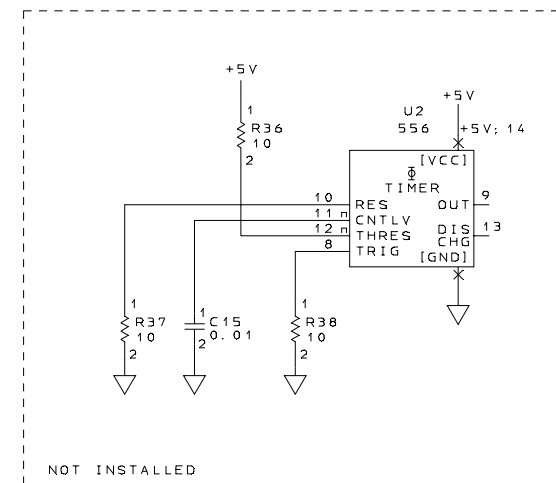
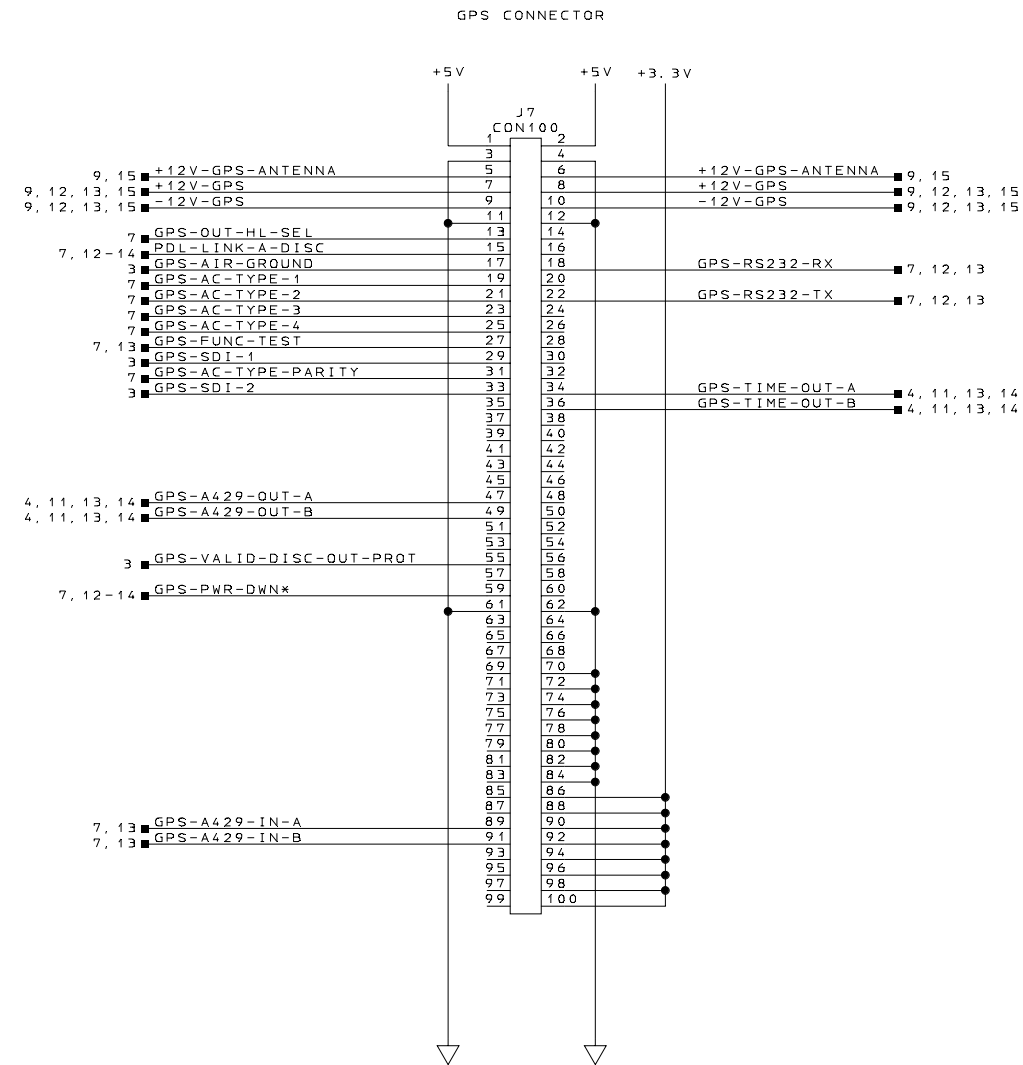
TCAS 2000 PROCESSOR CONNECTOR  
A1 INTERCONNECT CCA  
SCHEMATIC DIAGRAM SHEET NO. 14

COMPUTER GENERATED

REV 3-98 DATE TIME



REV		DESCRIPTION	DATE
2976	K	UNINSTALLED R36 - R38, C15, AND U2.	05-14-02
5209	M	CHANGED BORDER.	07-11-02



GPS CONNECTOR  
A1 INTERCONNECT CCA  
SCHEMATIC DIAGRAM SHEET NO. 15

COMPUTER GENERATED

DATE TIME 100-5000005-001