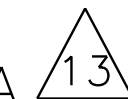


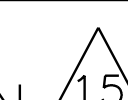
PROPRIETARY NOTICE
 THIS DOCUMENT AND THE INFORMATION DISCLOSED HEREIN ARE PROPRIETARY DATA OF ACSS, LLC. NEITHER THIS DOCUMENT NOR THE INFORMATION CONTAINED HEREIN SHALL BE REPRODUCED, USED, OR DISCLOSED TO OTHERS WITHOUT THE WRITTEN AUTHORIZATION OF ACSS, LLC

NOTICE
 FREEDOM OF INFORMATION ACT (5 USC 552) AND DISCLOSURE OF CONFIDENTIAL INFORMATION GENERALLY (18 USC 1905)
 THIS DOCUMENT IS BEING FURNISHED IN CONFIDENCE BY ACSS, LLC THE INFORMATION DISCLOSED HEREIN FALLS WITHIN EXEMPTION (b) (4) OF 5 USC 552 AND THE PROHIBITIONS OF 18 USC 1905.

REVISIONS		
CRNO.	REV	DESCRIPTION
	E	INITIAL RELEASE
2976	K	SEE DESCRIPTION PER CHANGE REQUEST. 05-14-01
2978	L	SEE DESCRIPTION PER CHANGE REQUEST. 06-03-02
5209	M	SEE DESCRIPTION PER CHANGE REQUEST. 07-11-02
5635	N	SEE DESCRIPTION PER CHANGE REQUEST. 11-06-02
5767	P	SEE DESCRIPTION PER CHANGE REQUEST. 01-16-03


TABLE I
BUSWIRE DATA 



CONDUCTOR COND NO.	ITEM NO.	PWB SIDE	FROM CIRCUIT POINT	TO CIRCUIT POINT
601	704	A	Q6-3 LAND	CR6 BOTTOM LAND

TABLE III
COMPONENT INSTALLATION 

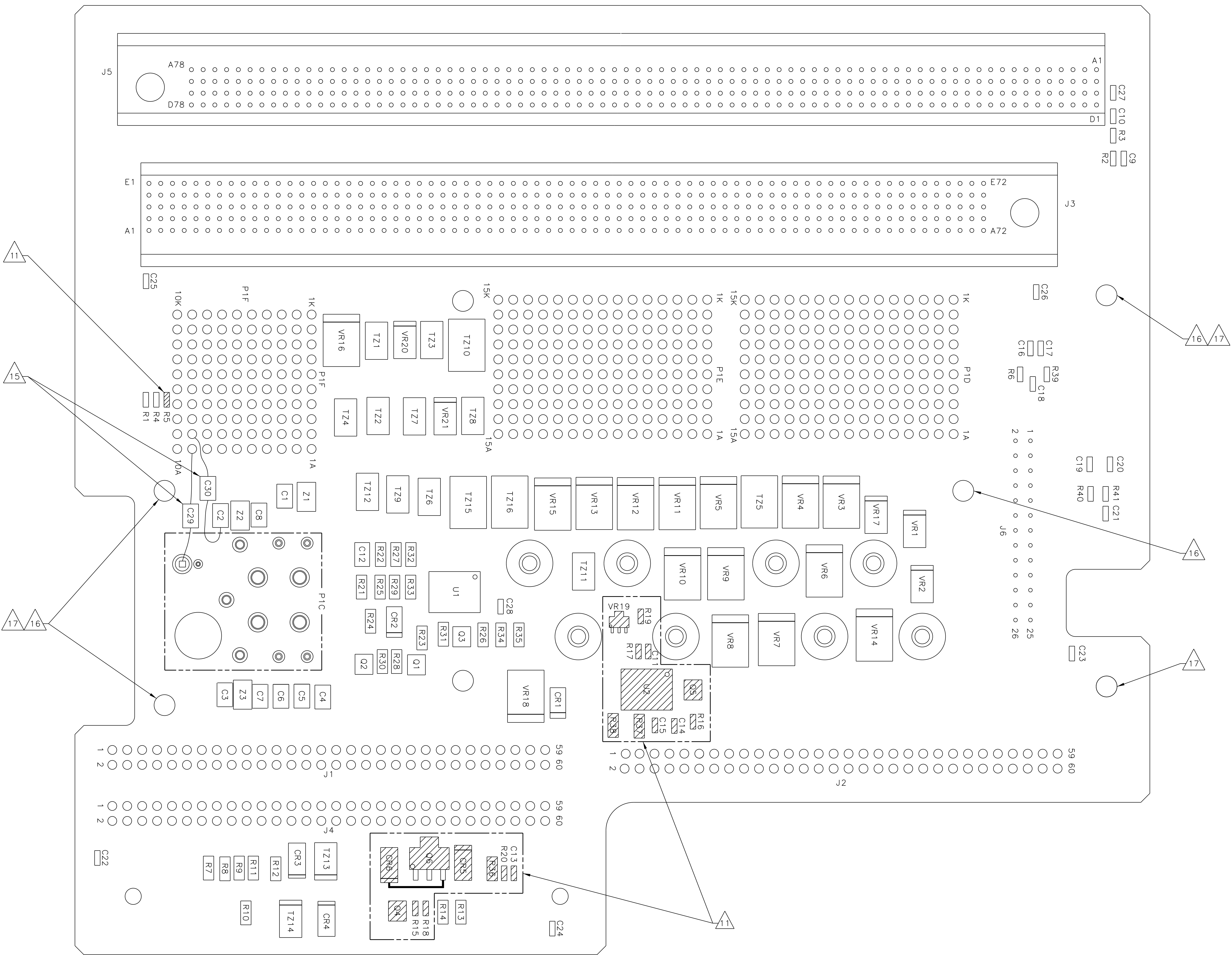
COMPONENT		TO CIRCUIT POINT	PWB SIDE	SLVG ITEM NO.
REF DES	PIN			
C29	1	P1F-9A	A	702
	2	P1C-14		
C30	1	P1F-9B	A	702
	2	C2-BOTTOM		

NOTES:
 1. ASSEMBLE PER ITEM 701 (M7012784).

2.  **CAUTION** THIS ASSEMBLY INCLUDES COMPONENTS WHICH ARE SUBJECT TO DAMAGE BY ELECTROSTATIC CHARGES; THEREFORE, ALL COMPONENTS SHALL BE HANDLED IN ACCORDANCE WITH GUIDELINES FOR ELECTROSTATIC DISCHARGE CONTROL.
3. COMPONENT LEAD PROTRUSION SHALL BE .060 MAXIMUM, EXCEPT J2 SHALL BE .030 MAXIMUM, BARE COPPER PERMISSIBLE ON COMPONENT LEADS AT TRIMMED SURFACES. P1 LEADS DO NOT REQUIRE TRIMMING IF THEY ARE WITHIN THE LIMITS AS DEFINED ON SHEET 2.
4. J1, J2, J4 AND J6 SHALL BE FLUSH TO .010 MAX ABOVE SIDE B OF ITEM 53. J3 AND J5 SHALL BE FLUSH TO .010 MAX ABOVE SIDE A OF ITEM 53.
5. SQUARE PADS ON PRINTED WIRING BOARD INDICATE PIN 1.
6. SOME COMPONENTS SHOWN OVERSIZE TO PROVIDE SPACE FOR DESIGNATORS.
7. APPLY LOCTITE (ITEM 43) TO THE THREADS OF ITEM 41 PER M695178.
8. REMOVE CONTACTS J1-8; J2-51; J4-4; AND J6-4 FROM THE BODIES OF J1; J2; J4 AND J6.
9. REMOVE 5 CONNECTOR INSERT RETAINING SCREWS FROM P1 MARKED "F" AND REPLACE WITH ITEMS 41 AND 42.
10. INSTALL CABLES IN ORDER AS SHOWN IN TABLE II.
11. SHADED COMPONENTS ARE NOT INSTALLED.
12. MARKING FOR J1 AND J4 SIDE B OF PWB IS INCORRECT. FOLLOW MARKING ON SIDE A OF PWB.
13. INSTALL BUS WIRE PER TABLE I, LEFT OR RIGHT, TOP OR BOTTOM AS VIEWED FROM INDICATED SIDE.
14. FOR J1, J2, AND J4 IGNORE THE PIN 1 IDENTIFIER ON THE CONNECTORS AND INSTALL CONNECTORS PER PIN 1 AS SHOWN ON CCA DRAWING.
15. INSTALL COMPONENT PER TABLE III, LEFT OR RIGHT, TOP OR BOTTOM AS VIEWED FROM INDICATED SIDE.
16. REMOVE SOLDER MASK FROM MOUNTING HOLE PLATING ON SIDE A.
17. REMOVE SOLDER MASK FROM MOUNTING HOLE PLATING ON SIDE B.

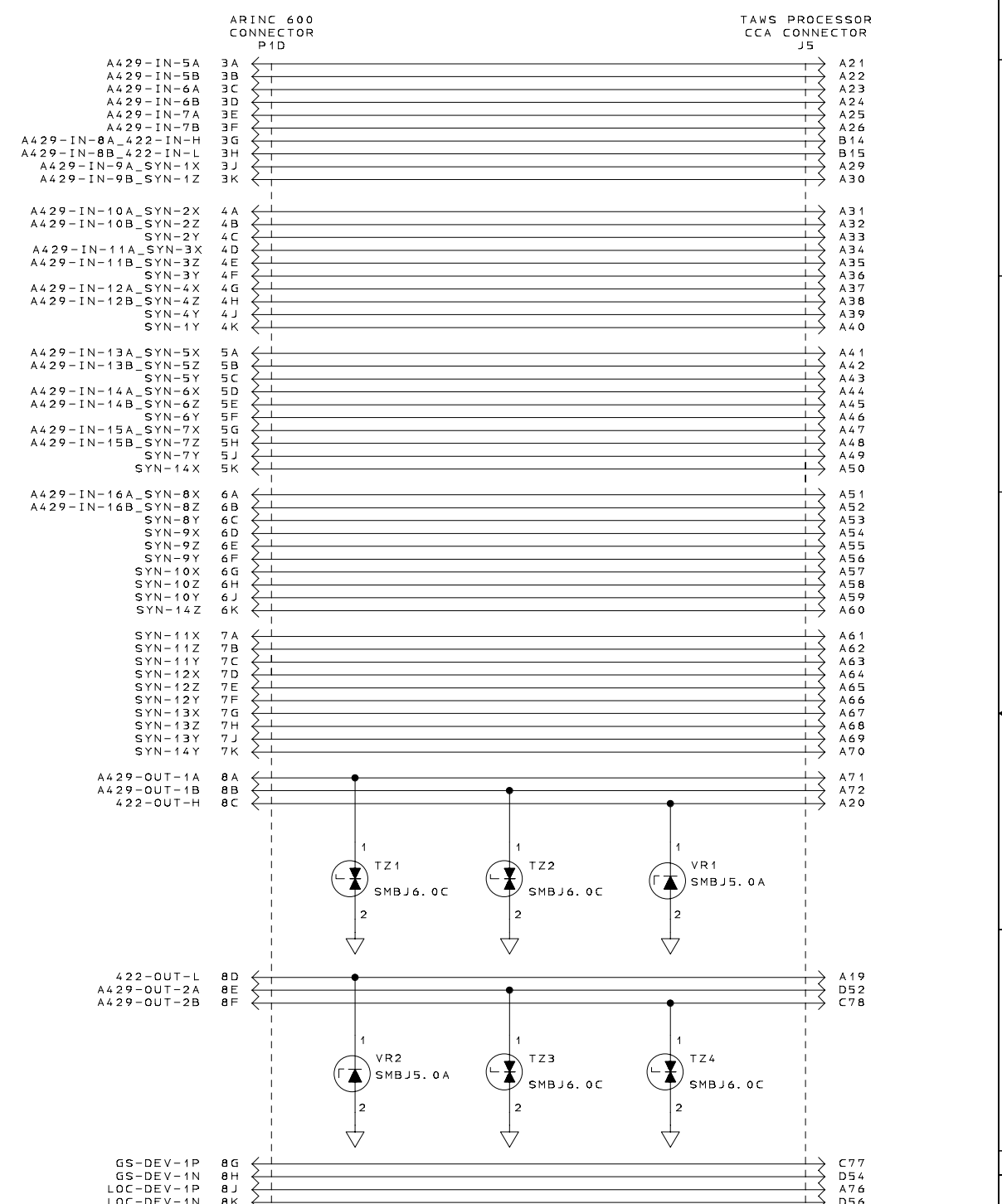
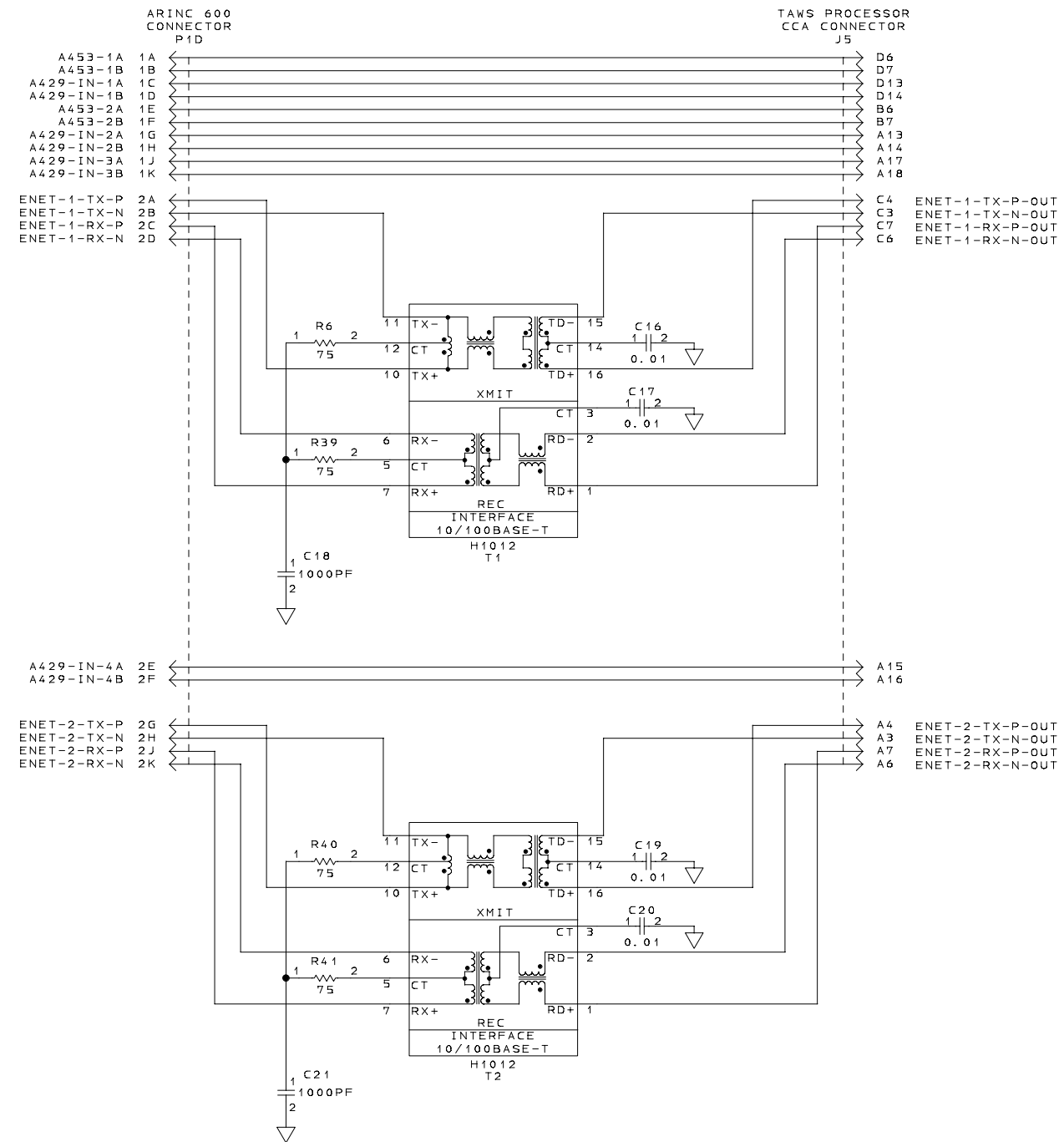
UNLESS OTHERWISE SPECIFIED, DIMENSIONS ARE IN INCHES: TOLERANCES: ANGLES ± - 2 PL DEC ± - 3 PL DEC ± -		THIRD ANGLE PROJECTION	OPERATIONAL NOTE
INTERPRET DIMENSIONS AND TOLERANCES PER AMSE Y14.5M-1994			 Aviation Communication & Surveillance Systems 19810 North 71st Avenue Phoenix, Arizona 85027-4400
FOR REFERENCE			
ORIGINAL C.R.		TITLE	
PRODUCT LINE NO.		CIRCUIT CARD ASSEMBLY -	
AW/PS ANALYSIS EB		6MCU INTERCONNECT, A1	
REF DWG	REF SPEC	SIZE	CAGE CODE
9000000-20	9000000-20001	E11WYD3	9000005-001
9000000-10	9000000-10001	DRAWING NO.	REV
NEXT ASSY	END ITEM	SCALE NONE	SHEET 1 OF 18
APPLICATION		P	

REV. NO.		DESCRIPTION	DATE
2976	K	SEE DESCRIPTION PER CHANGE REQUEST.	05-14-01
2978	L	SEE DESCRIPTION PER CHANGE REQUEST.	06-03-02
5209	M	SEE DESCRIPTION PER CHANGE REQUEST.	07-11-02
5635	N	SEE DESCRIPTION PER CHANGE REQUEST.	11-06-02



VIEWSIDE A

REV		DESCRIPTION	DATE
5209	M	CHANGED BORDER.	07-11-02
5767	P	J5-A27, CONNECTED FROM P1D-3G, CHANGED TO J5-B14. J5-B14, CONNECTED FROM P1D-3H, CHANGED TO J5-B15. J5-B15, CONNECTED FROM P1D-3J, CHANGED TO J5-A29.	01-16-03



NOTES:
UNLESS OTHERWISE SPECIFIED:
1. ALL CAPACITANCE VALUES ARE IN MICROFARADS.
2. ALL RESISTANCE VALUES ARE IN OHMS.
3. ALL INDUCTANCE VALUES ARE IN MICROHENRIES.
4. PARTIAL REFERENCE DESIGNATIONS ARE SHOWN;
FOR COMPLETE DESIGNATIONS PREFIX PART
DESIGNATION WITH SUBASSEMBLY DESIGNATION.
5. INTERPRET DRAWING PER ANSI Y32.2-1975 AND
ANSI/IEEE STD 991-1986. LOGIC SYMBOLS
CONFORM TO ANSI/IEEE STD 91-1984.

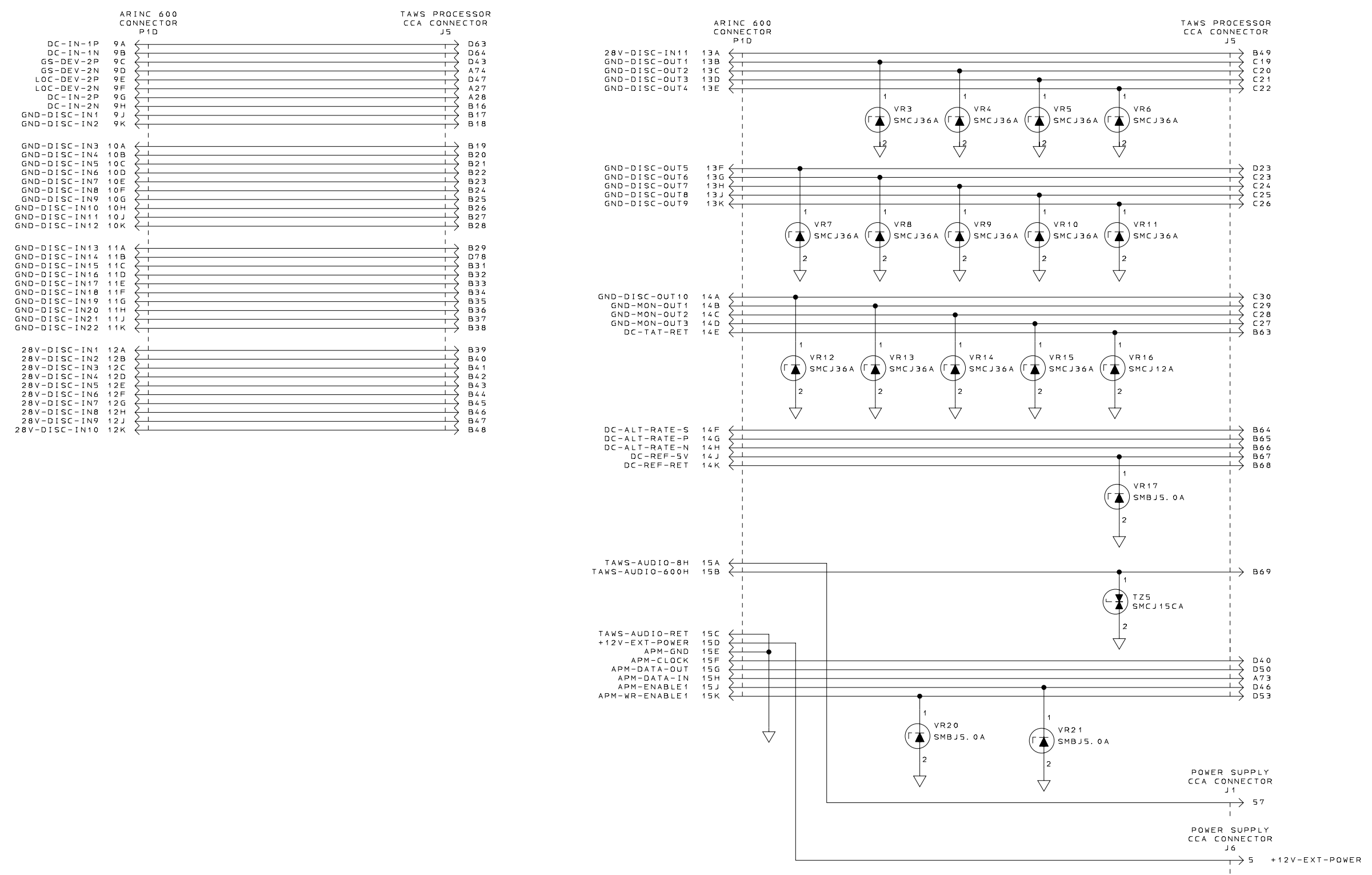
ARINC 600 CONNECTOR
A1 INTERCONNECT CCA
SCHEMATIC DIAGRAM SHEET NO. 1 OF 15

COMPUTER GENERATED

ACSS	SEE FIRST SHEET FOR CONTRACT NUMBER, USE OR DISCLOSURE OF INFORMATION ON THIS SHEET IS SUBJECT TO THE RESTRICTIONS ON THE FIRST SHEET OF THIS DOCUMENT.	SIZE E 1WYD3	CAGE CODE 9000005-001	DRAWING NO. 9000005-001	REV P
------	------------------------------------------------------------------------------------------------------------------------------------------------------------------	-----------------	--------------------------	----------------------------	----------

DATE TIME 9000005-001 1 7

REV		DESCRIPTION	DATE
5209	M	CHANGED BORDER.	07-11-02



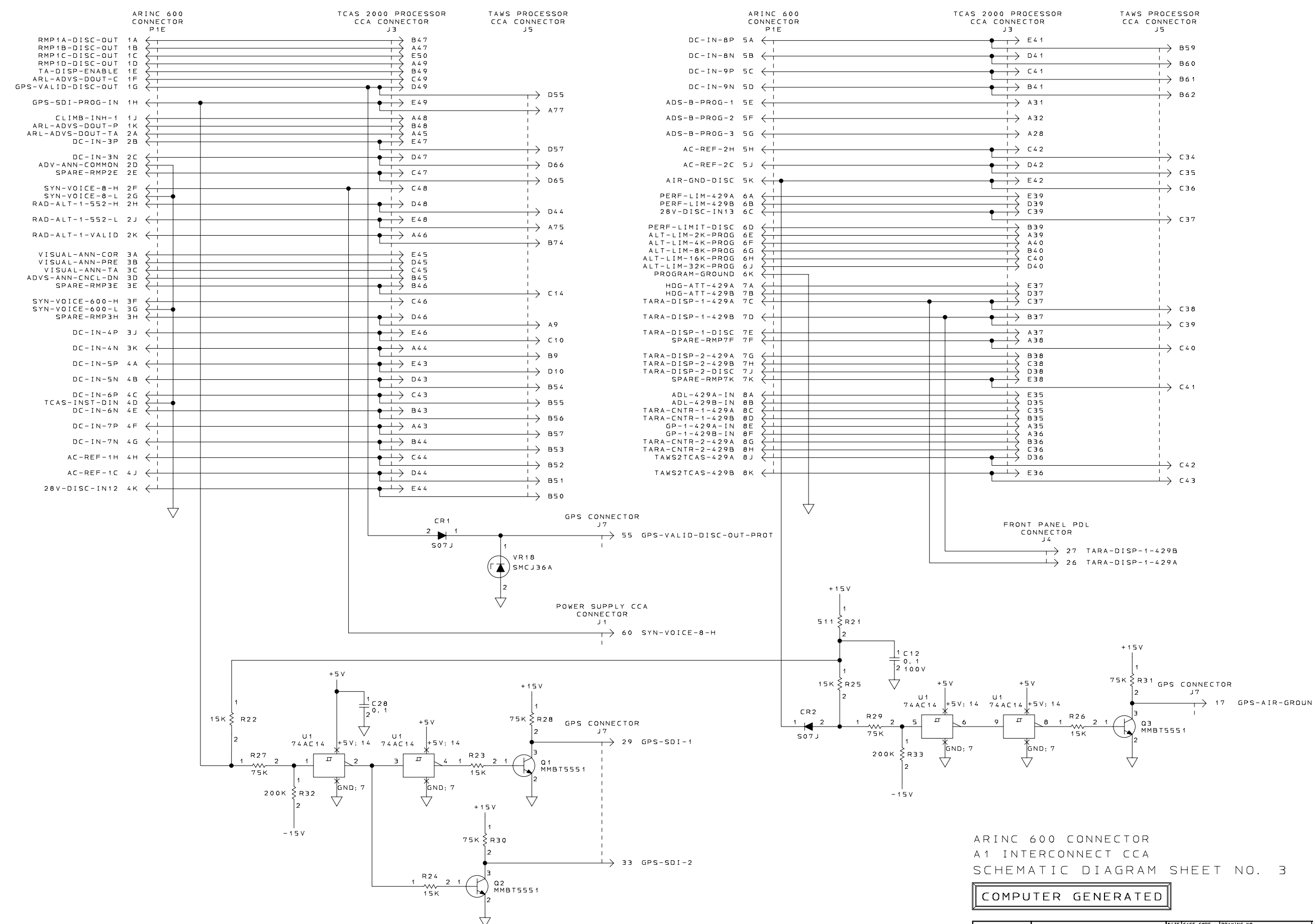
ARINC 600 CONNECTOR
A1 INTERCONNECT CCA
SCHEMATIC DIAGRAM SHEET NO. 2

COMPUTER GENERATED

ACSS	SEE FIRST SHEET FOR CONTRACT NUMBER. USE OR DISCLOSURE OF INFORMATION ON THIS SHEET IS SUBJECT TO THE RESTRICTIONS ON THE FIRST SHEET OF THIS DOCUMENT.	SIZE	E 1WYD3	DRAWING NO.	9000005-001	REV	M
		SCALE			SHEET	5	

51100-5000005-001 SHEET 5

REV		DESCRIPTION	DATE
5209	M	CHANGED BORDER.	07-11-02



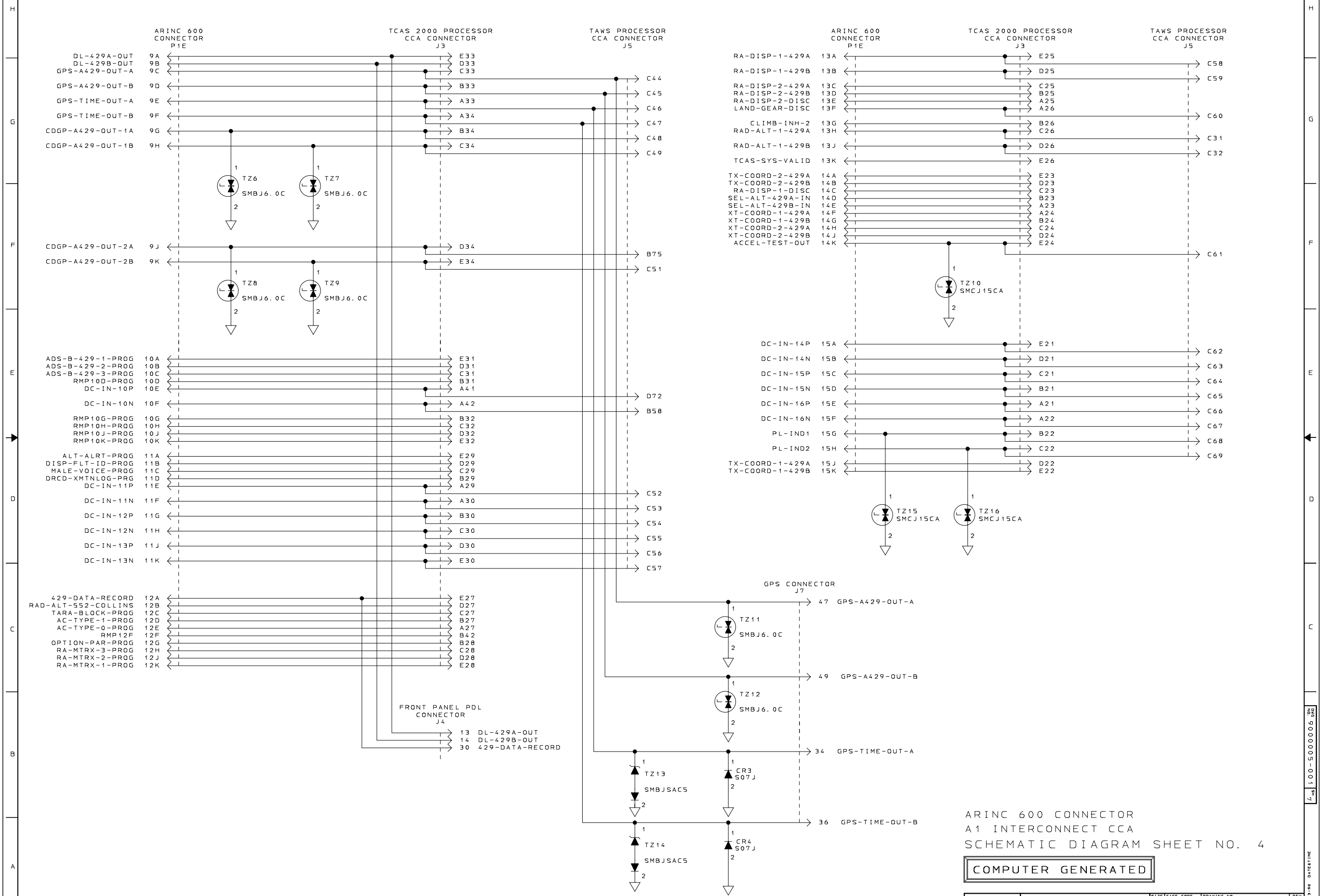
ARINC 600 CONNECTOR
A1 INTERCONNECT CCA
SCHEMATIC DIAGRAM SHEET NO. 3

COMPUTER GENERATED

ACSS	SEE FIRST SHEET FOR CONTRACT NUMBER. USE OR DISCLOSURE OF INFORMATION ON THIS SHEET IS SUBJECT TO THE RESTRICTIONS ON THE FIRST SHEET OF THIS DOCUMENT.	SIZE E 1WYD3	CAGE CODE 9000005-001	DRAWING NO. M	REV M	SHEET 6
------	------------------------------------------------------------------------------------------------------------------------------------------------------------------	-----------------	--------------------------	------------------	----------	------------

9. REV. 3-90 DATE TIME

REV		DESCRIPTION	DATE
5209	M	CHANGED BORDER.	07-11-02



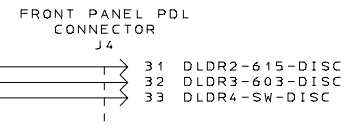
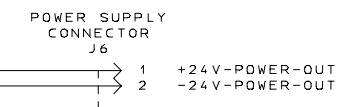
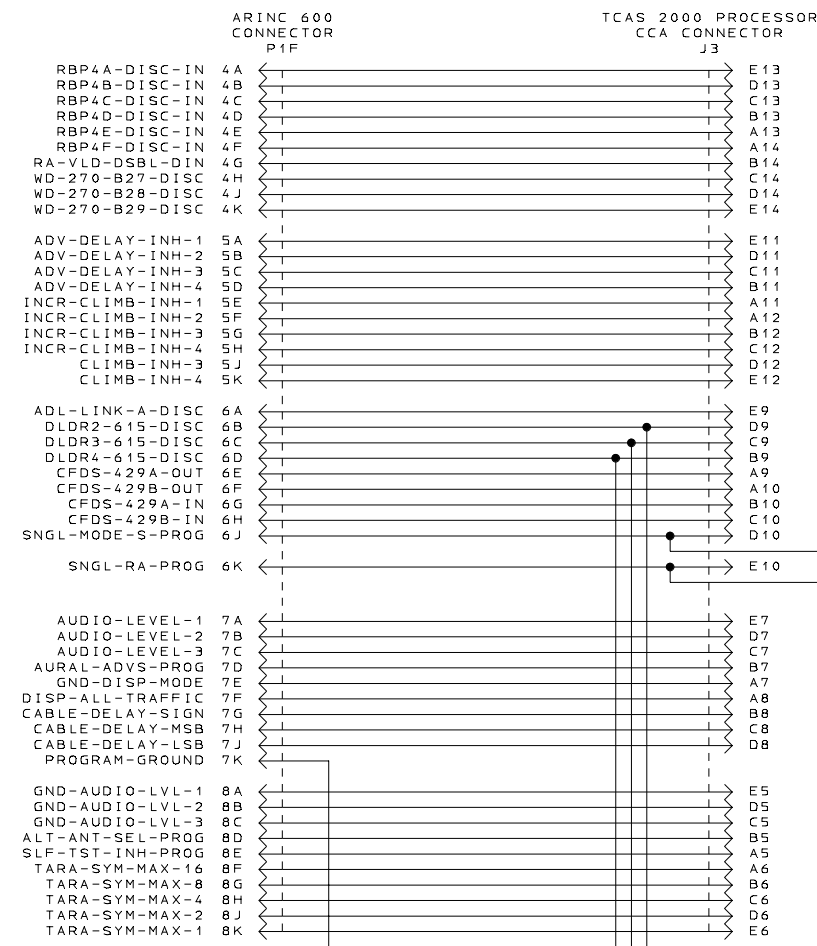
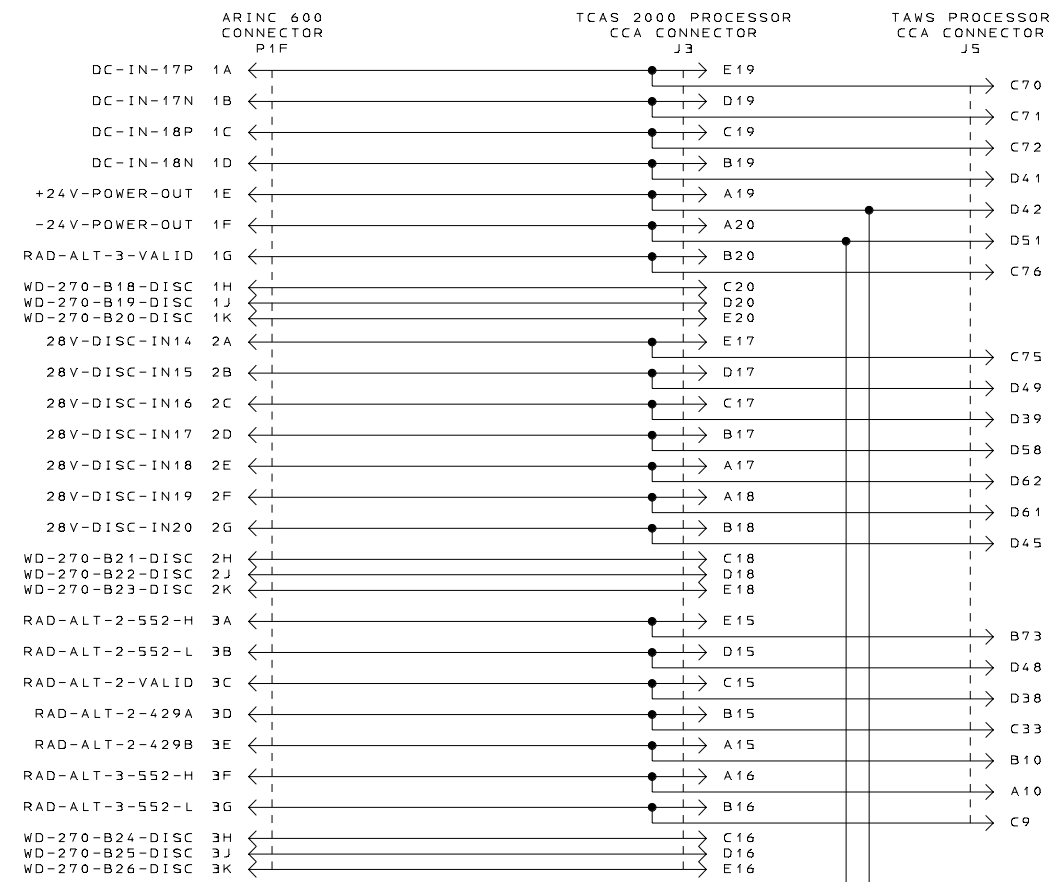
ARINC 600 CONNECTOR
A1 INTERCONNECT CCA
SCHEMATIC DIAGRAM SHEET NO. 4

COMPUTER GENERATED

ACSS	SEE FIRST SHEET FOR CONTRACT NUMBER, USE OR DISCLOSURE OF INFORMATION ON THIS SHEET IS SUBJECT TO THE RESTRICTIONS ON THE FIRST SHEET OF THIS DOCUMENT.	SIZE	E 1WYD3	CAGE CODE	9000005-001	DRAWING NO.	REV	M
							SHEET	7

DATE TIME

REV		DESCRIPTION	DATE
5209	M	CHANGED BORDER.	07-11-02



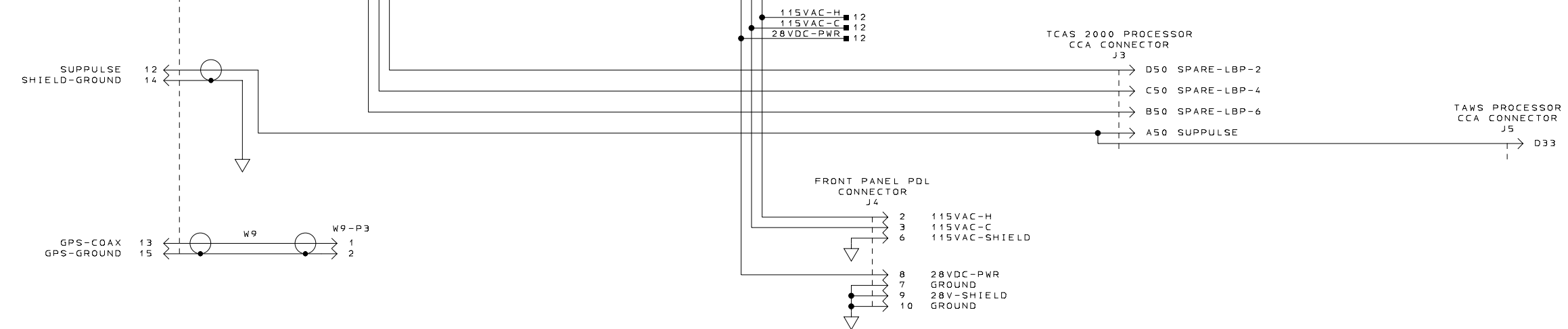
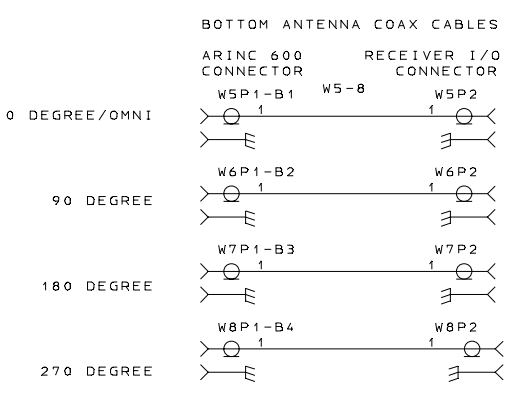
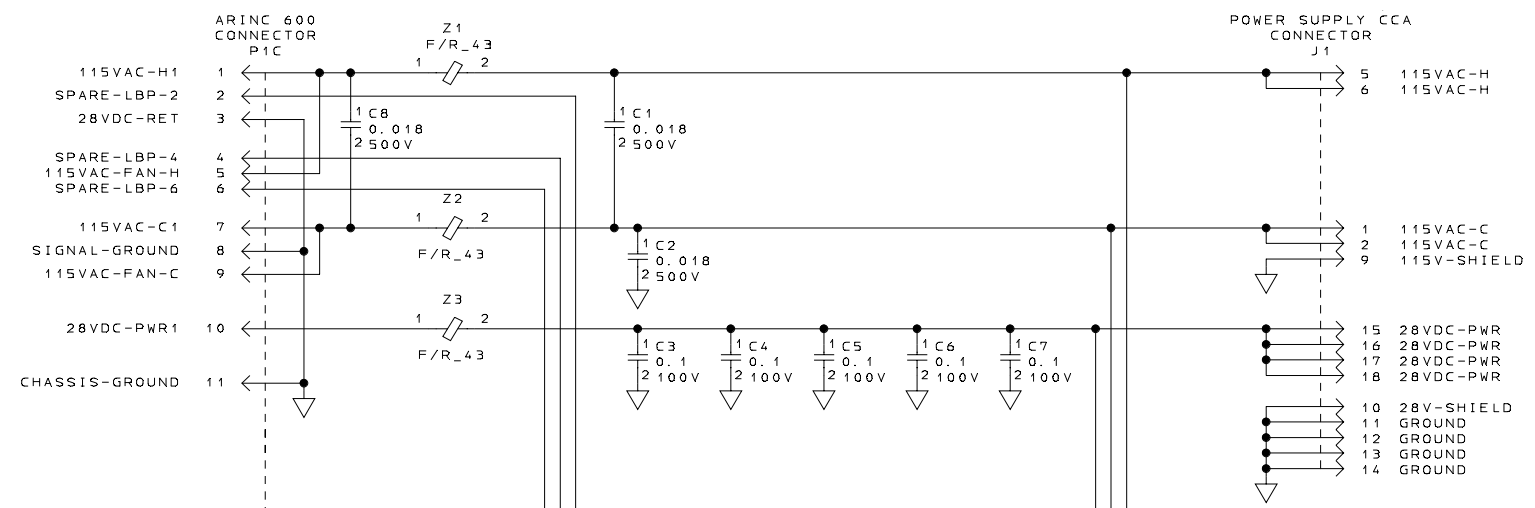
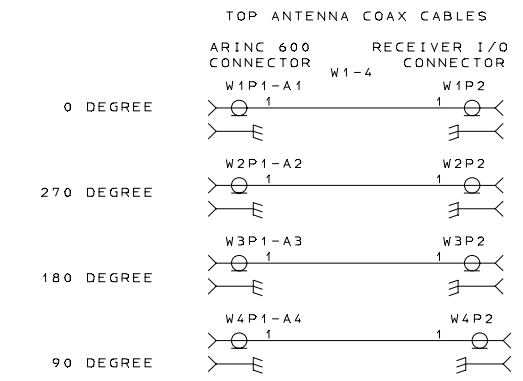
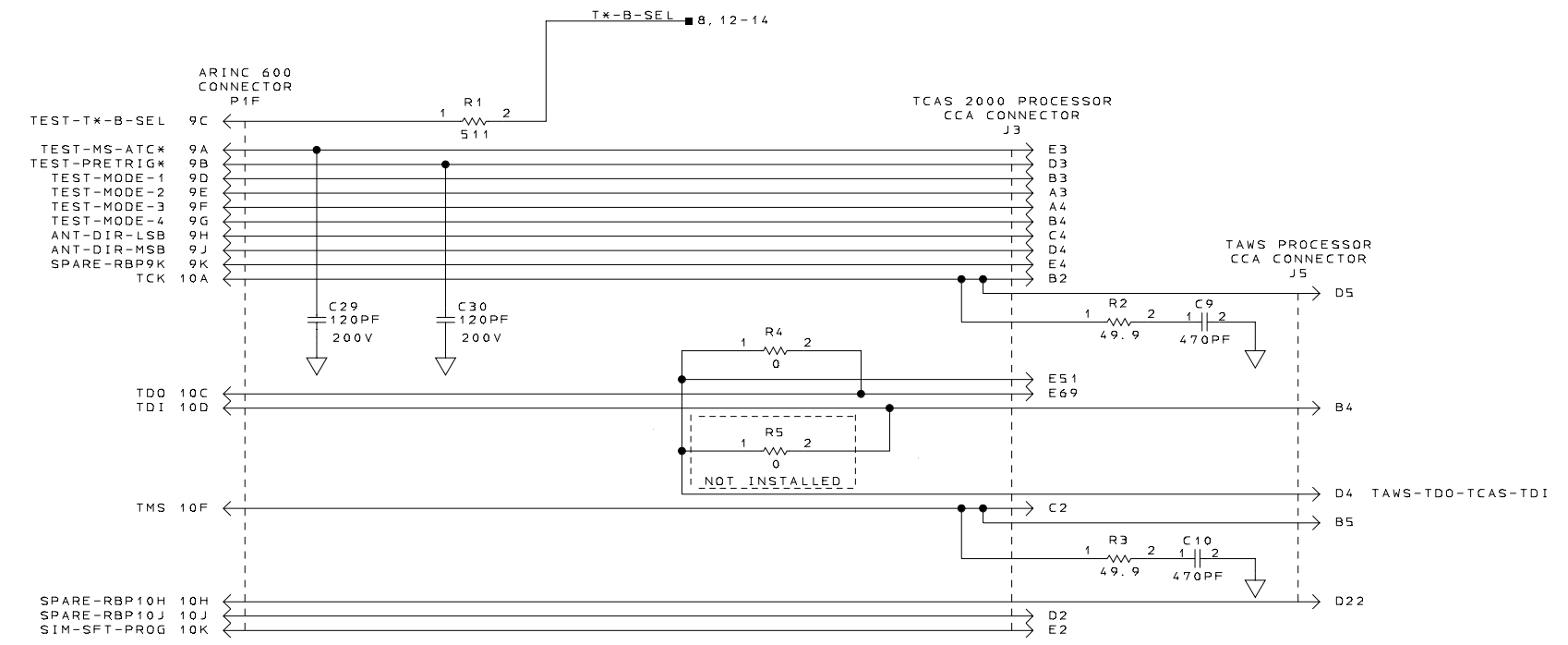
ARINC 600 CONNECTOR
A1 INTERCONNECT CCA
SCHEMATIC DIAGRAM SHEET NO. 5

COMPUTER GENERATED

ACSS	SEE FIRST SHEET FOR CONTRACT NUMBER, USE OR DISCLOSURE OF INFORMATION ON THIS SHEET IS SUBJECT TO THE RESTRICTIONS ON THE FIRST SHEET OF THIS DOCUMENT.	SIZE	CAGE CODE	DRAWING NO.	REV
		E	1WYD3	9000005-001	M
				SCALE	SHEET 8

9000005-001 8 M 07-11-02

REVISIONS		
CR	REV	DESCRIPTION
5209	M	CHANGED BORDER. 07-11-02
5635	N	ADDED C29 AND CONNECTED IT BETWEEN P1F-9A AND GROUND. ADDED C30 AND CONNECTED IT BETWEEN P1F-9B AND GROUND. 10-30-02



ARINC 600 CONNECTOR
A1 INTERCONNECT CCA
SCHEMATIC DIAGRAM SHEET NO. 6

COMPUTER GENERATED

ACSS	SEE FIRST SHEET FOR CONTRACT NUMBER. USE OR DISCLOSURE OF INFORMATION ON THIS SHEET IS SUBJECT TO THE RESTRICTIONS ON THE FIRST SHEET OF THIS DOCUMENT.	SIZE CAGE CODE E 1WYD3	DRAWING NO. 9000005-001	REV N
------	------------------------------------------------------------------------------------------------------------------------------------------------------------------	---------------------------	----------------------------	----------

9000005-001
 6
 10-30-02
 DATE/TIME