

PROPRIETARY NOTICE
 THIS DOCUMENT AND THE INFORMATION DISCLOSED HEREIN ARE PROPRIETARY DATA OF ACSS, LLC. NEITHER THIS DOCUMENT NOR THE INFORMATION CONTAINED HEREIN SHALL BE REPRODUCED, USED, OR DISCLOSED TO OTHERS WITHOUT THE WRITTEN AUTHORIZATION OF ACSS, LLC.

NOTICE
 FREEDOM OF INFORMATION ACT (5 USC 552) AND DISCLOSURE OF CONFIDENTIAL INFORMATION GENERALLY (18 USC 1905)
 THIS DOCUMENT IS BEING FURNISHED IN CONFIDENCE BY ACSS, LLC. THE INFORMATION DISCLOSED HEREIN FALLS WITHIN EXEMPTION (b) (4) OF 5 USC 552 AND THE PROHIBITIONS OF 18 USC 1905.

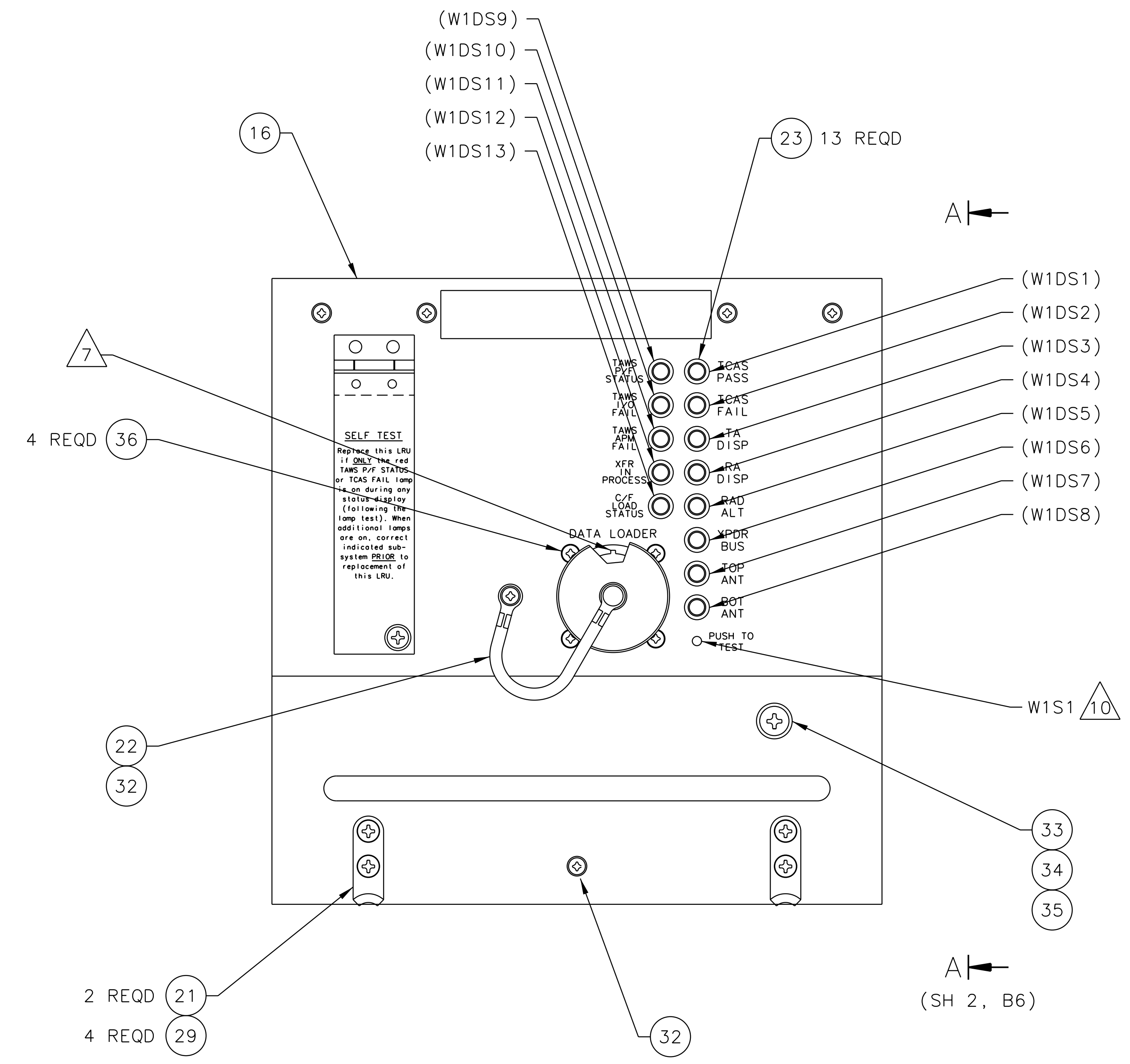
REVISED		DESCRIPTION	DATE
CRNO.	REV		
	-	INITIAL RELEASE	07-10-02
5214	A	SEE DESCRIPTION PER CHANGE REQUEST.	07-29-02
5300	B	SEE DESCRIPTION PER CHANGE REQUEST.	09-04-02
5556	C	SEE DESCRIPTION PER CHANGE REQUEST.	10-07-02

NOTES:

- ASSEMBLE PER M2597539.
- CAUTION**
 ELECTROSTATIC SENSITIVE EQUIPMENT
 SPECIAL HANDLING REQUIRED

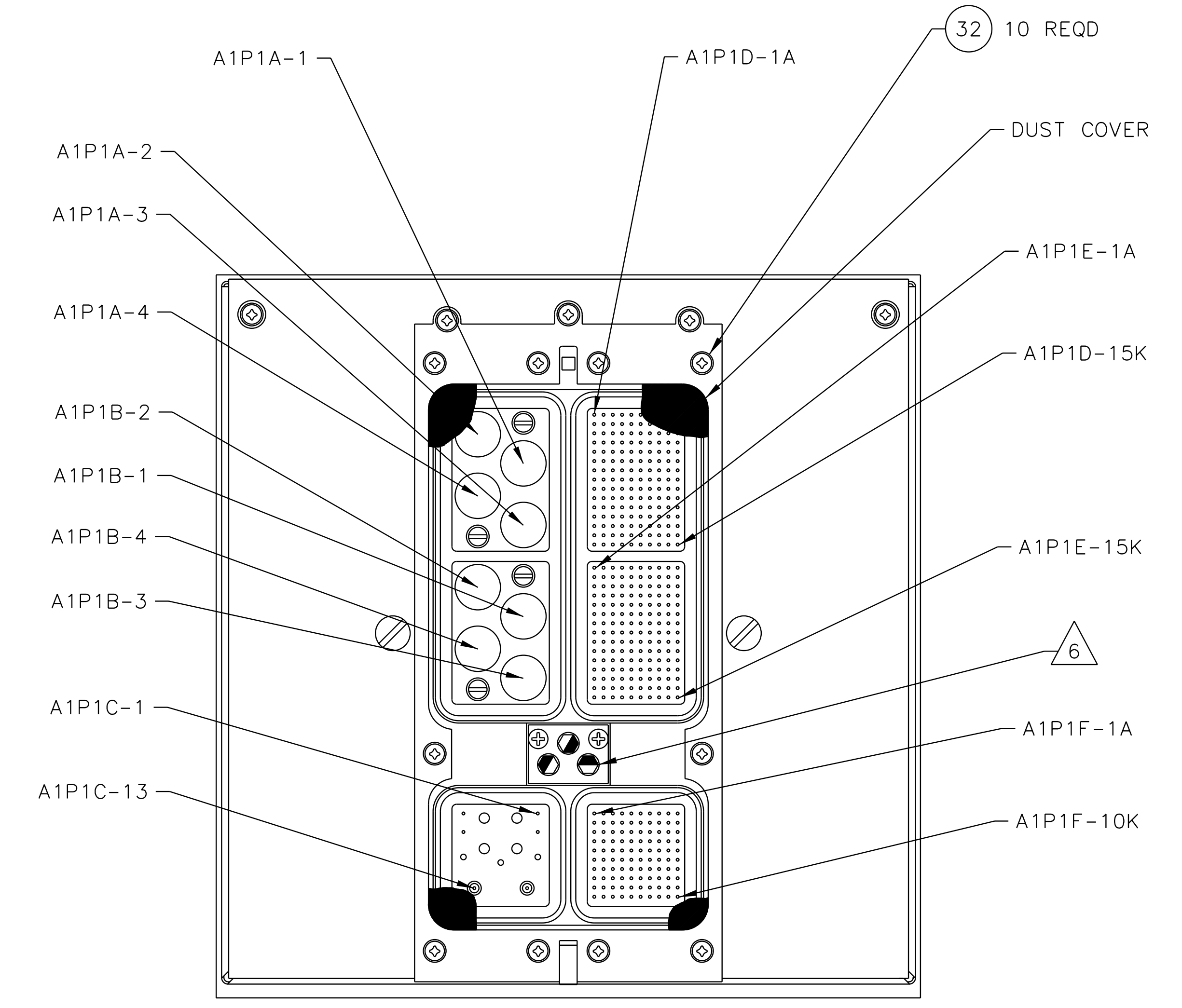
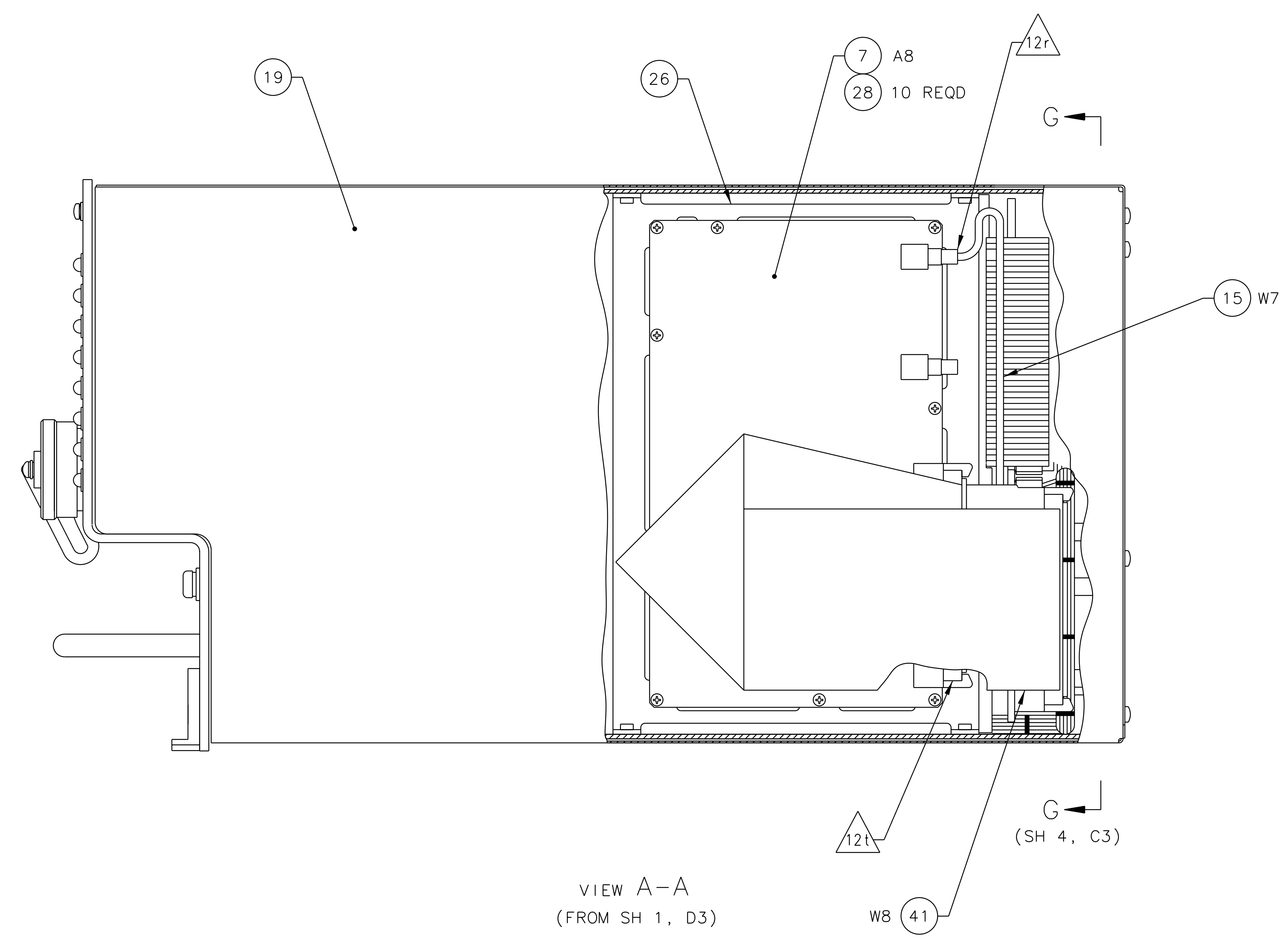
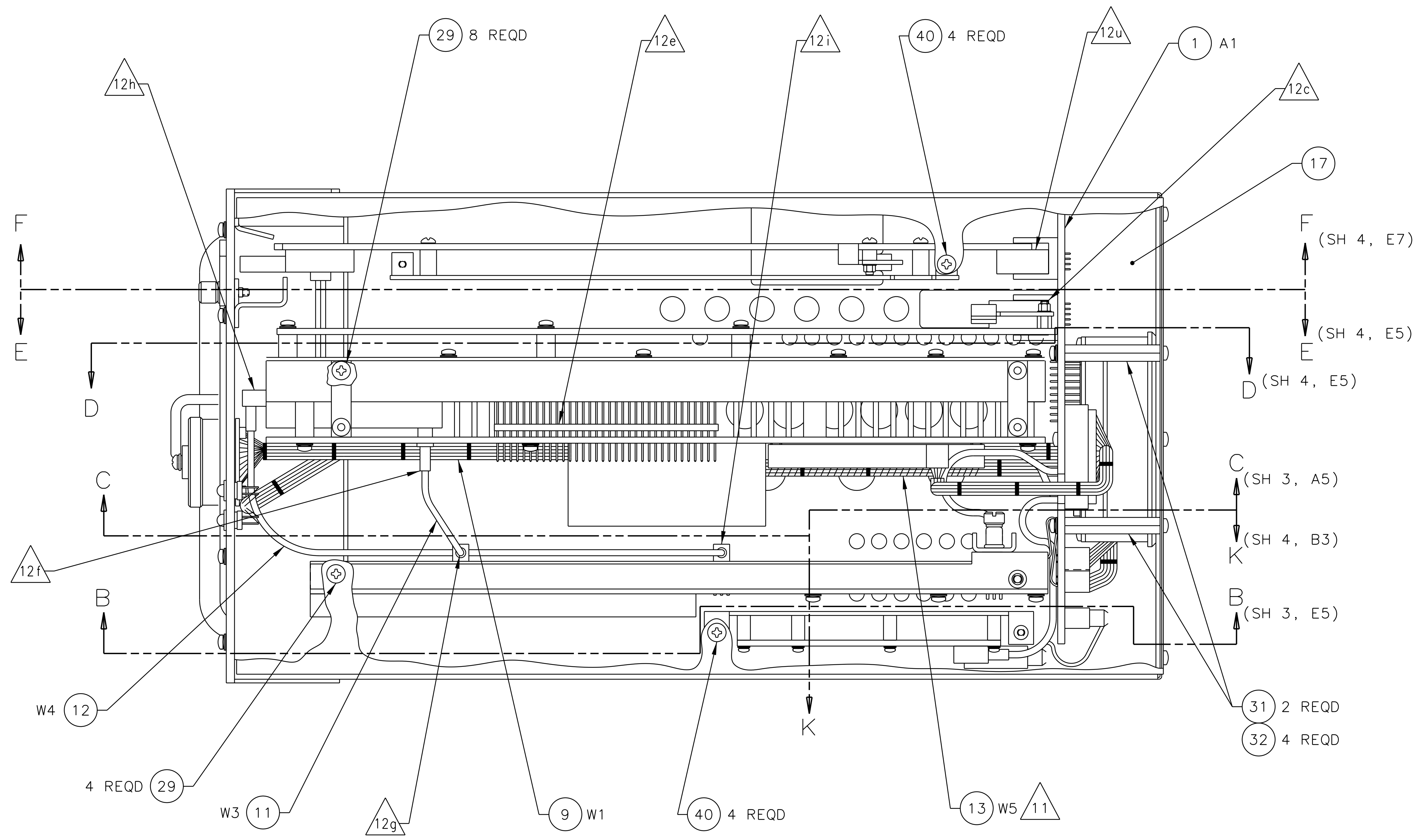
 THIS DEVICE IS SUBJECT TO DAMAGE BY ELECTROSTATIC CHARGES.
- APPLY LOCTITE (ITEM 43) TO THE THREADS OF ITEM 30 PER M695178.
- INSTALLED AT PREVIOUS ASSEMBLY.
- ROUTE W2 RIBBON CABLE AS SHOWN.
- DARKENED PORTION INDICATES SOLID PART OF POLARIZING KEYS.
- ORIENT W1J1 KEYWAY AS SHOWN.
- FOOT OF A1P1 SHALL BE FLUSH TO .010 BELOW SURFACE A.
- ORIENT W1E1, W1E2 AND ITEM 20 AS SHOWN.
- PRIOR TO MOUNTING W1S1 TO ITEM 9, DISCARD NUT SUPPLIED WITH W1S1. APPLY LACQUER (ITEM 27) TO W1S1 THREADS AND ITEM 9. CAUTION DO NOT ALLOW ITEM 27 TO CONTACT W1S1 PUSH BUTTON.
- ROUTE W1 AGAINST A4 AND W5 AGAINST W1 TO CLEAR SCREW HEAD ON A5 RF CONNECTOR BRACKET.
- FULLY MATE THE FOLLOWING CONNECTORS:

FROM	TO
12a A1J1	W5P2
12b A1J2	W2P1
12c A1J3	A2P1
12d A1J4	W1P1
12e A3J1	A4P1
12f A3J2	W3P1
12g W3P2	A5J10
12h A3A1J1	W4P1
12i W4P2	A5J11
12j A4J1	W5P1
12k T1P1	A4J3
12l A5J1	W2P2
12m A7P3	W1P2
12n A4J4	W6P1
12p W6P2	A1J6
12q W8P1	A1J7
12r A8J2	W7P1
12s A1P1C13	W7P2
12t A8J1	W8P2
12u A7P1	A1J5
12v	ENSURE CONNECTIONS W1-W8 ARE ENGAGED TO A5 BEFORE SECURING MOUNTING SCREWS ON CONNECTOR BRACKET.
- INSTALL ITEMS 44 AND 45 ON THE COVER (ITEM 19) AND ITEM 46 TO FRONT PLATE (ITEM 16) PER M695178. LOCATE APPROXIMATELY AS SHOWN.
- SCREWS ON CCA (ITEM 5) MUST BE REMOVED, 3 PLACES, AND DISCARDED FOR INSTALLATION OF SHIELD (ITEM 24) AND SCREWS (ITEM 37).
- AFTER INSTALLATION OF ITEM 30 BOND ITEM 8 TO ITEM 4 USING GREY ADHESIVE (ITEM 47). DOUBLE SIDED TAPE 29A362080-623 MAY BE SUBSTITUTED FOR ITEM 47 PRIOR TO INSTALLATION OF ITEM 8 TO ITEM 4.
- SECURE ITEM 30 TO ITEM 8 USING ITEM 47, PER DIMENSION SHOWN.
- MARK IDENTIFICATION LABEL USING MATERIALS PER M4070371, METHOD R.
- ACSS P/N 7517945-903 IS AN ACCEPTABLE SUBSTITUTE FOR A5 (ITEM 5).

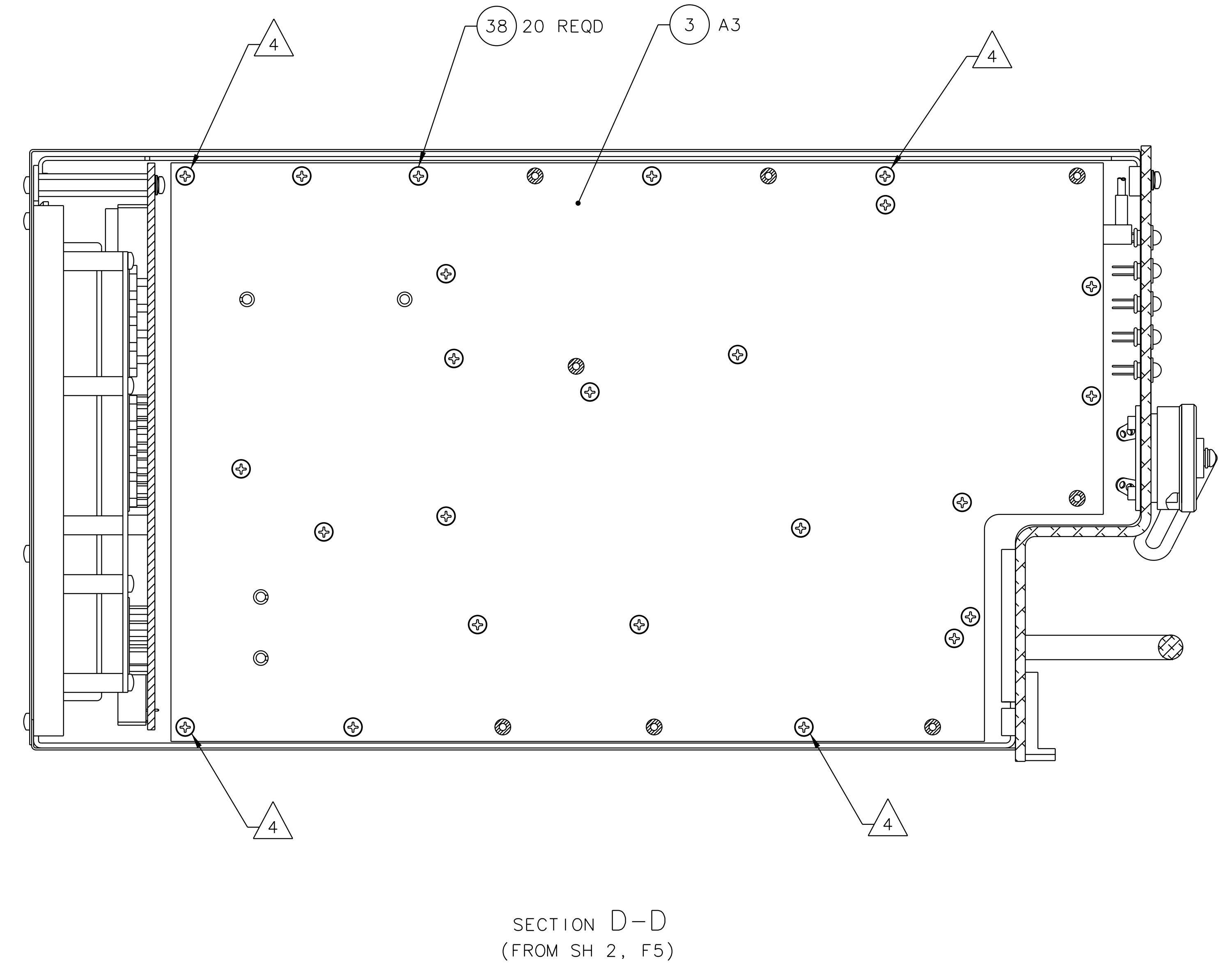
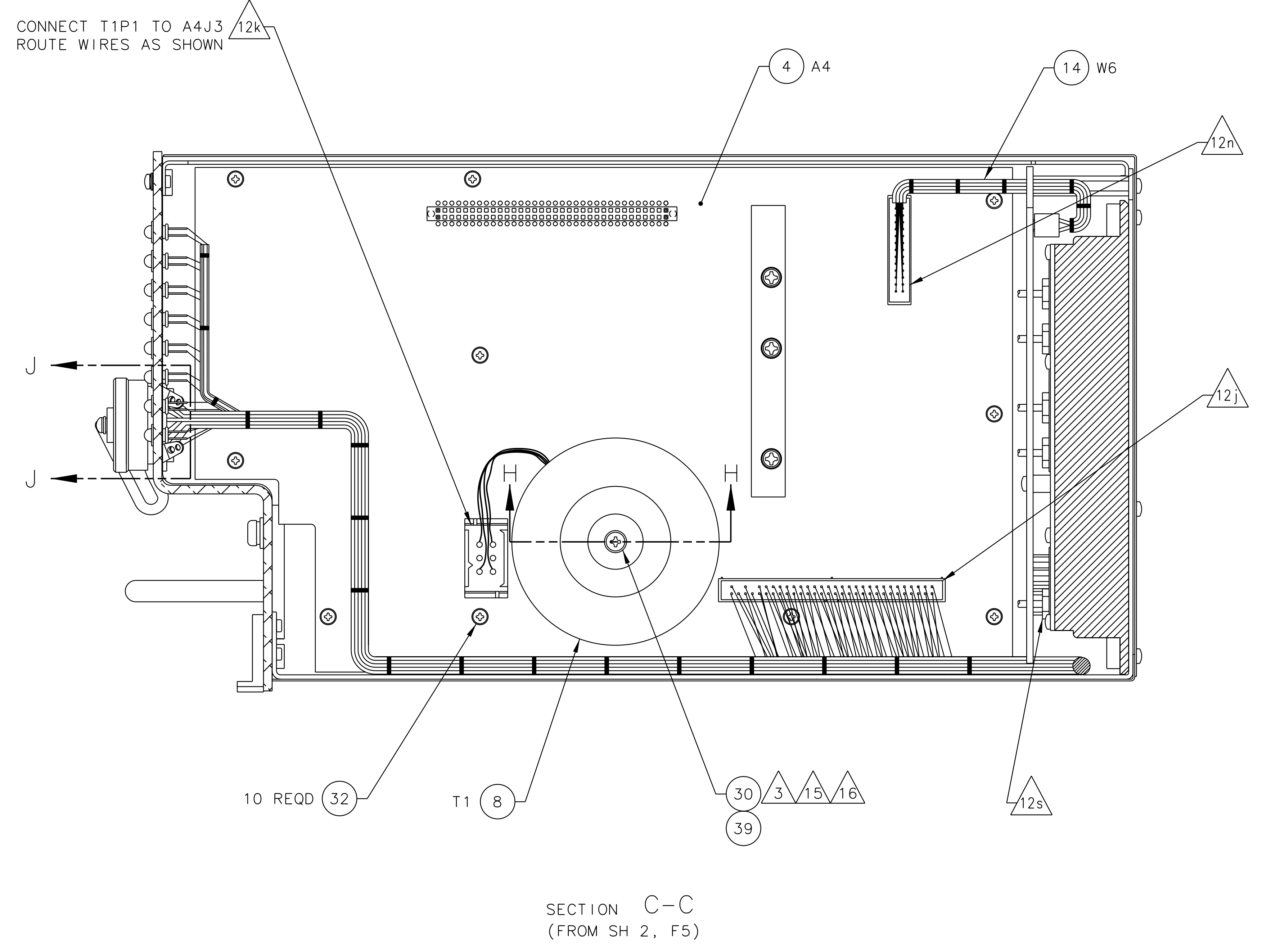
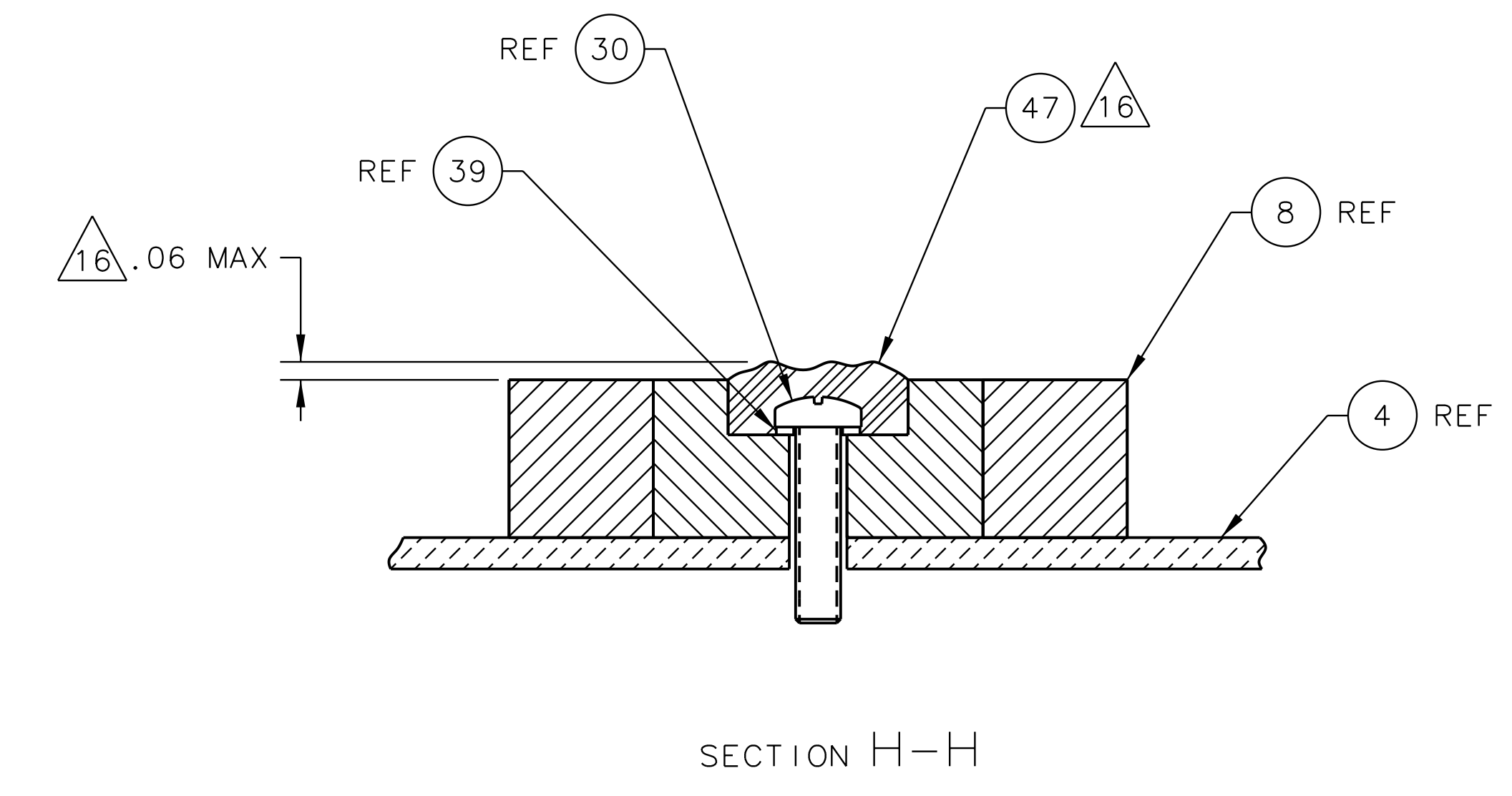
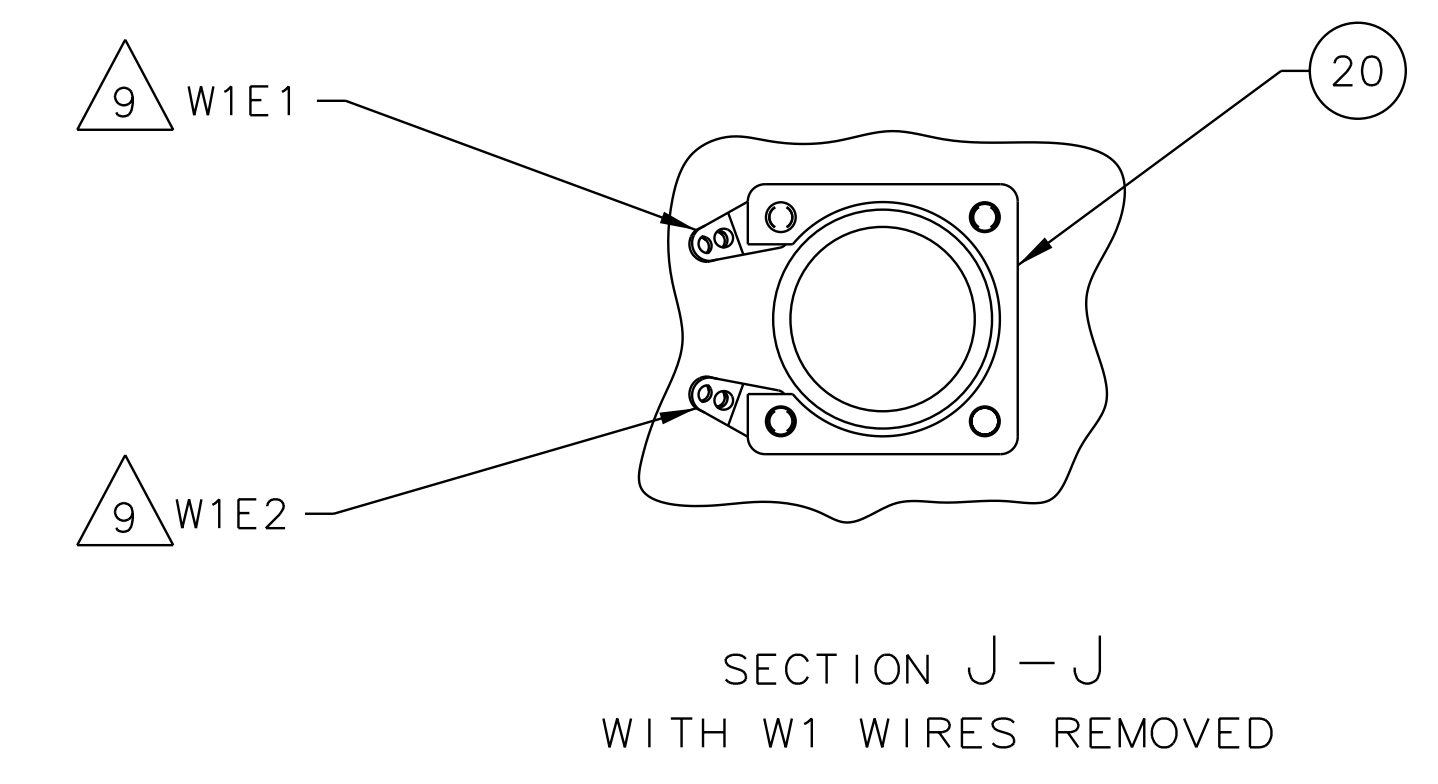
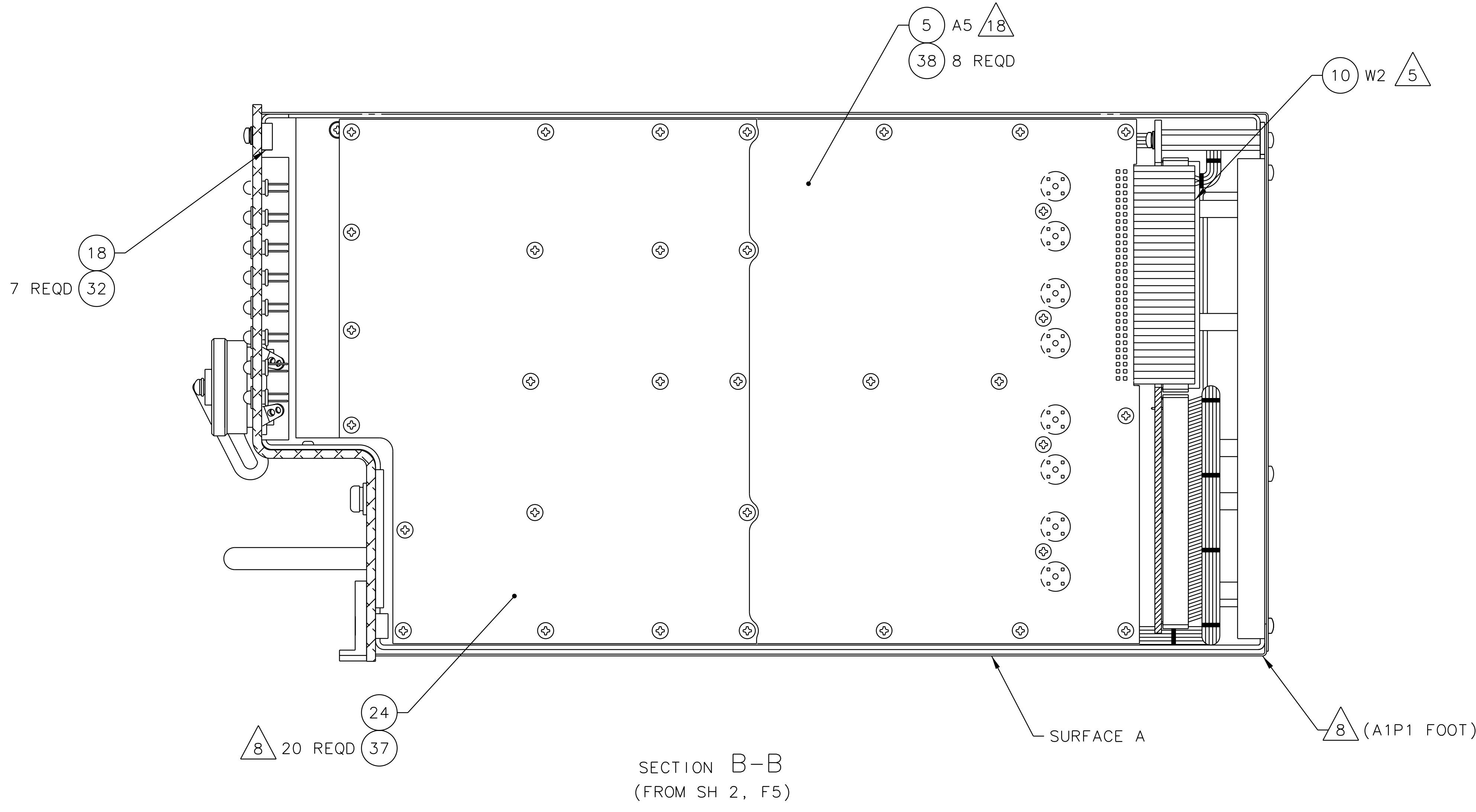


UNLESS OTHERWISE SPECIFIED, DIMENSIONS ARE IN INCHES: TOLERANCES: ANGLES ± - 2 PL DEC ± - 3 PL DEC ± -		THIRD ANGLE PROJECTION	OPERATIONAL NOTE
INTERPRET DIMENSIONS AND TOLERANCES PER AMSE Y14.5M-1994		FOR REFERENCE	Aviation Communication & Surveillance Systems 19810 North 71st Avenue Phoenix, Arizona 85027-4400
		ORIGINAL C.R.	
		PRODUCT LINE NO.	
		AW/PS ANALYSIS EB	
		REF DWG	REF SPEC
9000000-20001	9000000-20001		
NEXT ASSY	USED ON (SYS)		
APPLICATION			
		TITLE	ASSEMBLY, T2CAS 6MCU (WITH GPS)
SCALE 1/1	DRAWING NO. 9000000-201C	SIZE CAGE CODE E11WYD3	REV C
		SHEET 1 OF 5	

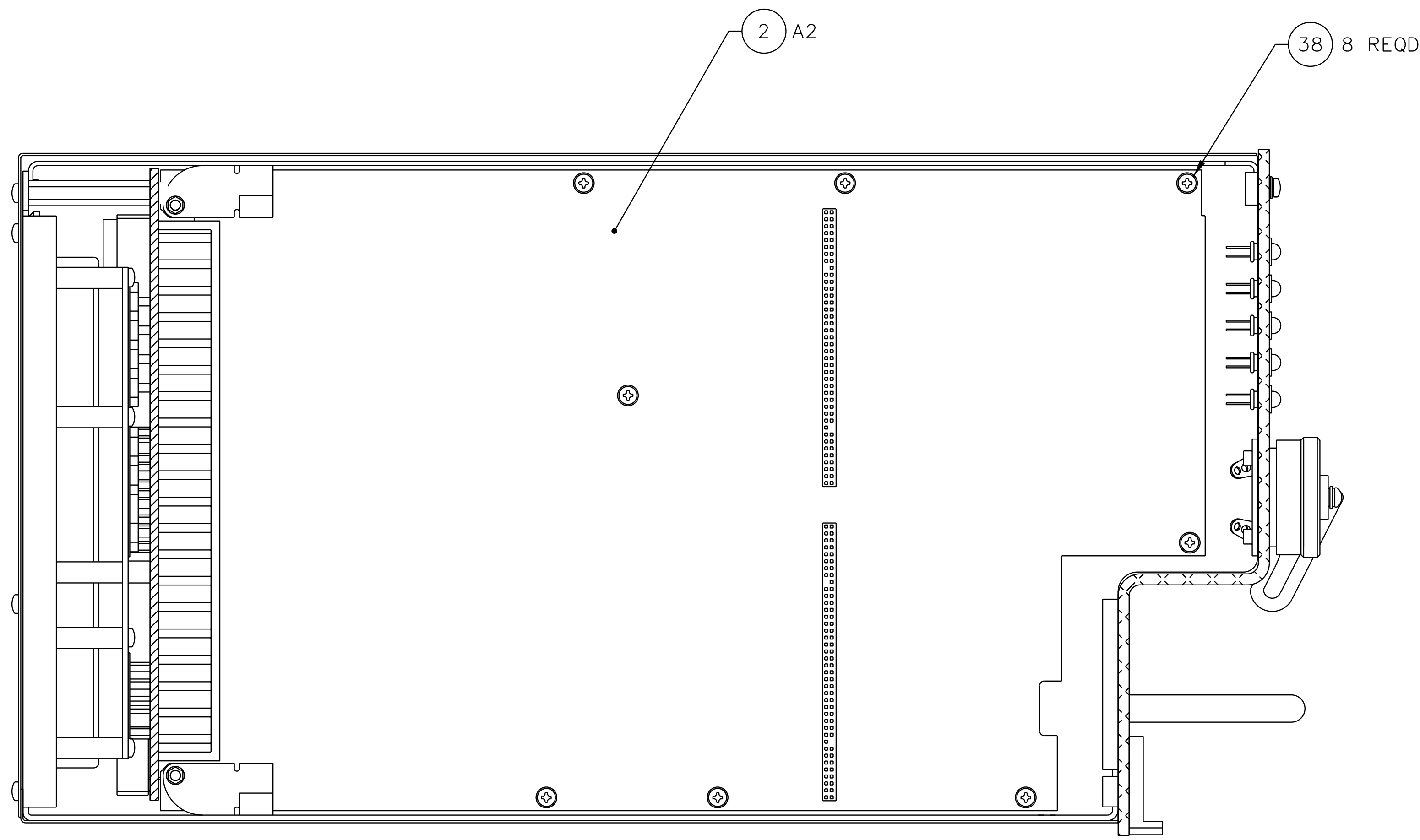
REVISONS		DESCRIPTION	
5214	A	SEE DESCRIPTION PER CHANGE REQUEST.	07-29-02
5300	B	SEE DESCRIPTION PER CHANGE REQUEST.	09-04-02



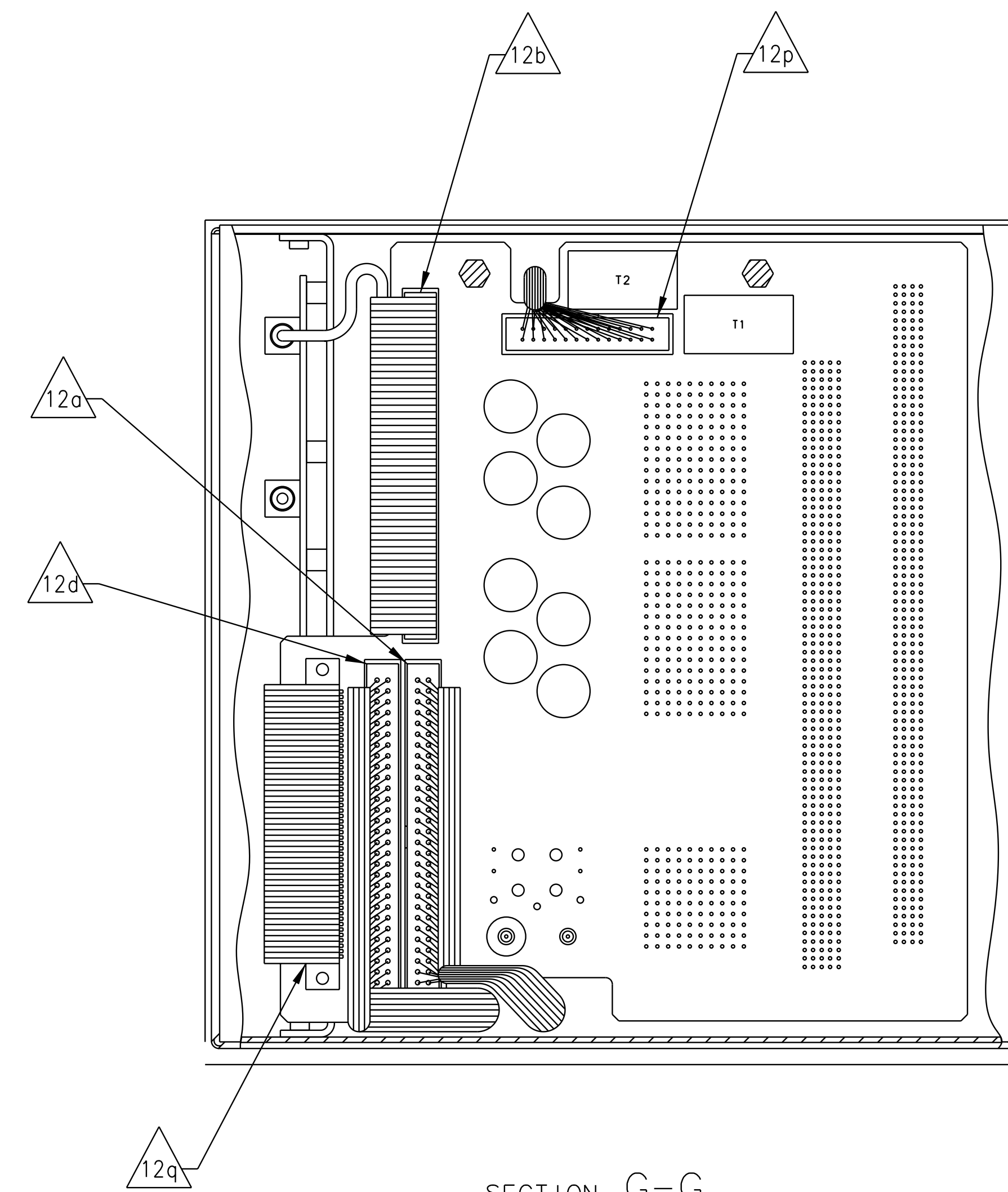
REVNO.		REV		REVISIONS	
				DESCRIPTION	
5214	A	SEE DESCRIPTION PER CHANGE REQUEST.			07-29-02
5300	B	SEE DESCRIPTION PER CHANGE REQUEST.			09-04-02
5556	C	SEE DESCRIPTION PER CHANGE REQUEST.			10-07-02



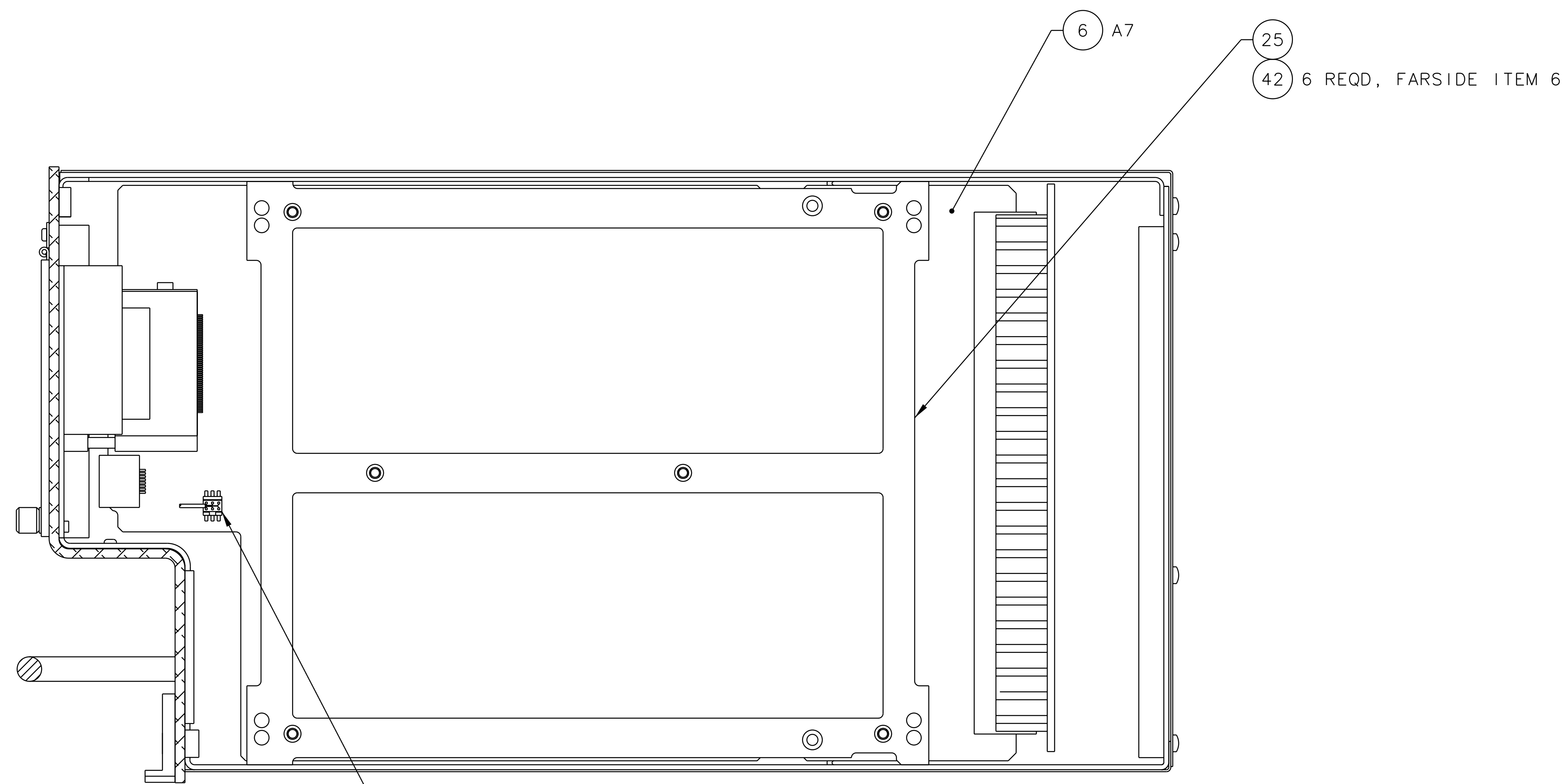
REV. NO.		DESCRIPTION	REV. NO.
5214	A	SEE DESCRIPTION PER CHANGE REQUEST.	07-29-02



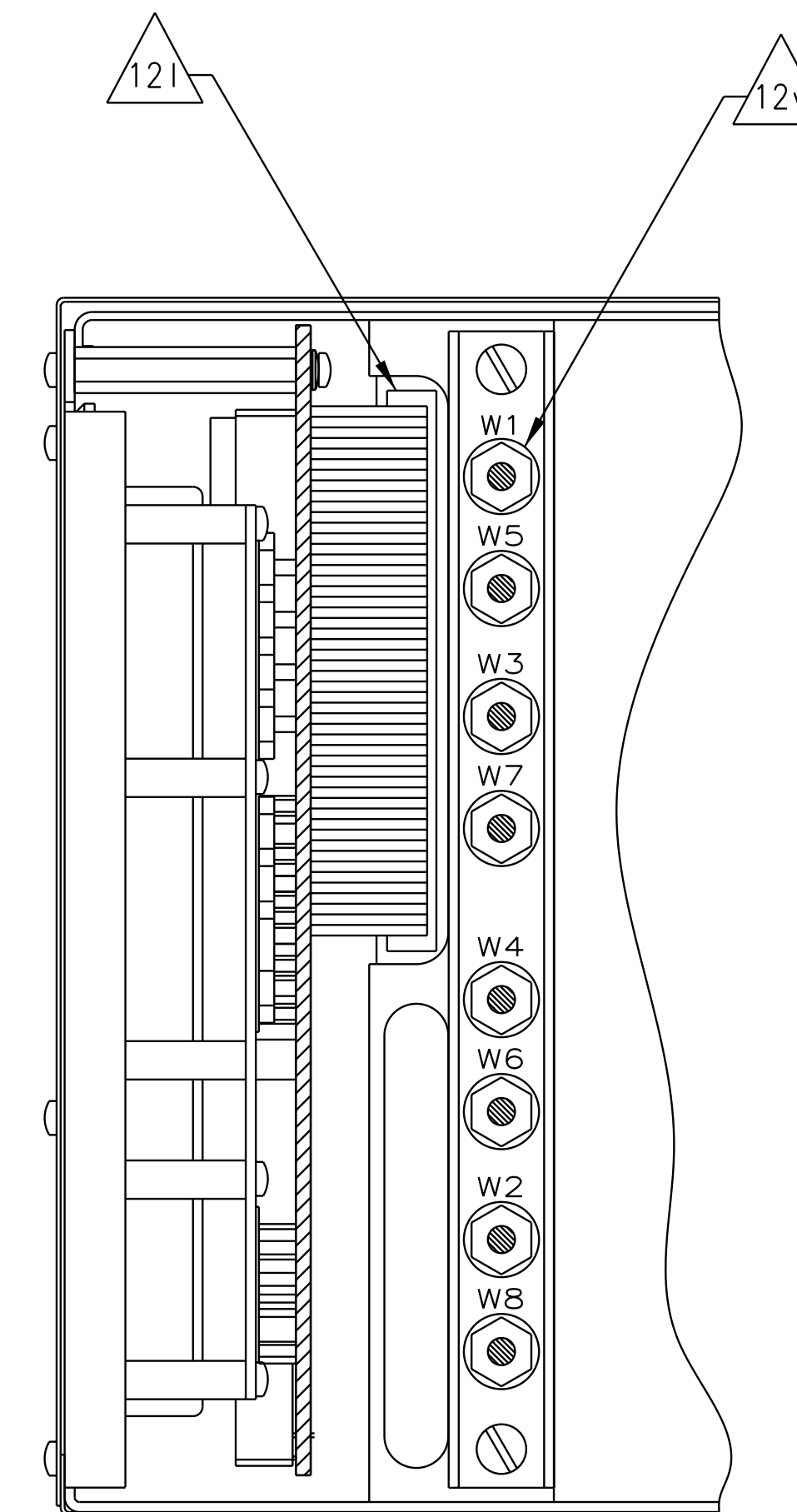
SECTION E-E
(FROM SH 2, F4)
ROTATED 180°



SECTION G-G
(FROM SH 2, G4)
ARINC CONNECTOR (A1J1)
OMITTED FOR CLARITY



SECTION F-F
(FROM SH 2, G4)



SECTION K-K
(FROM SH 2, F5)

REVISONS		DESCRIPTION	
5214	A	SEE DESCRIPTION PER CHANGE REQUEST.	07-29-02
5300	B	SEE DESCRIPTION PER CHANGE REQUEST.	09-04-02

