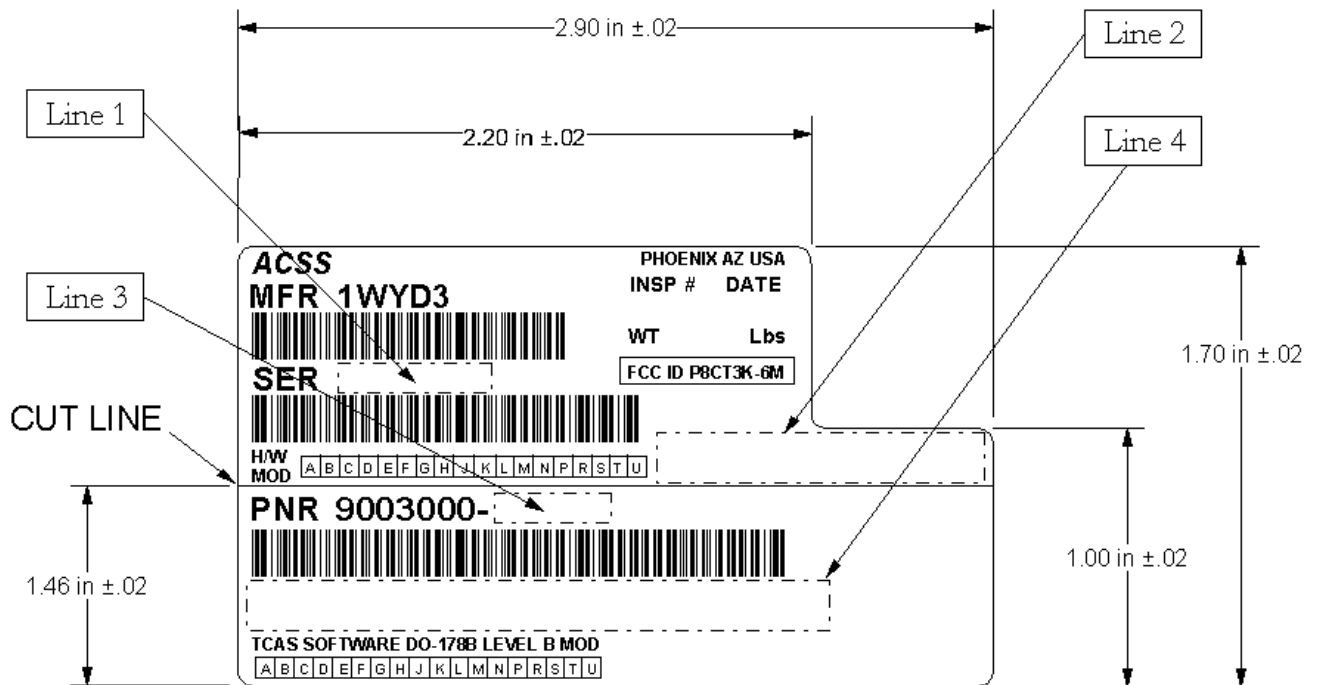


Document Number 9000299	Labels for T2CAS/APM and TCAS 3000	Revision K
----------------------------	------------------------------------	---------------

**TCAS 3000 6 MCU Label**

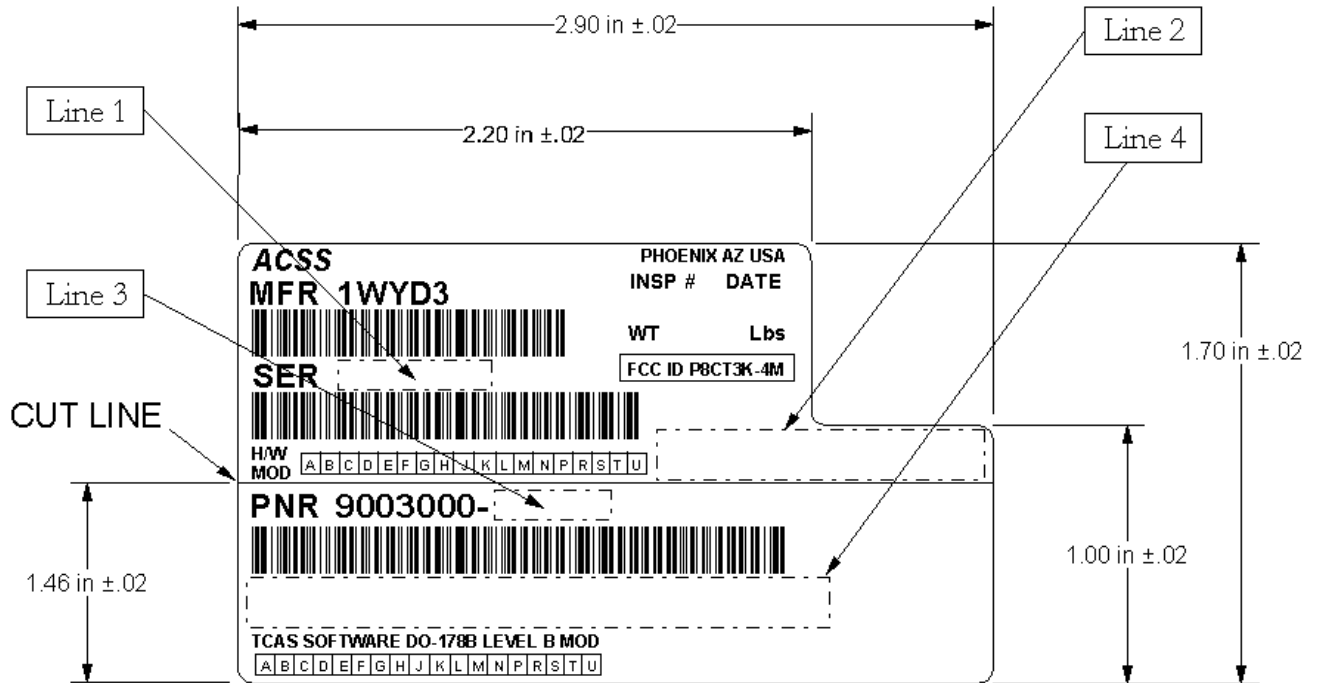


Note: Background color (Metallized Polyester) 1.2.1, Character and Line (Black) 1.3.1 Weight, Date, Inspector #, serial number, Environmental Categories, TSOs and PNR dash number all added at time of printing. Bar codes will change appearance depending on the information coded. Refer to Table 2 for contents of line 1, line 2, line 3, and line 4.

Figure 15  
Part Number 9000299-017

Document Number 9000299	Labels for T2CAS/APM and TCAS 3000	Revision K
----------------------------	------------------------------------	---------------

**TCAS 3000 4 MCU (28 VDC)**

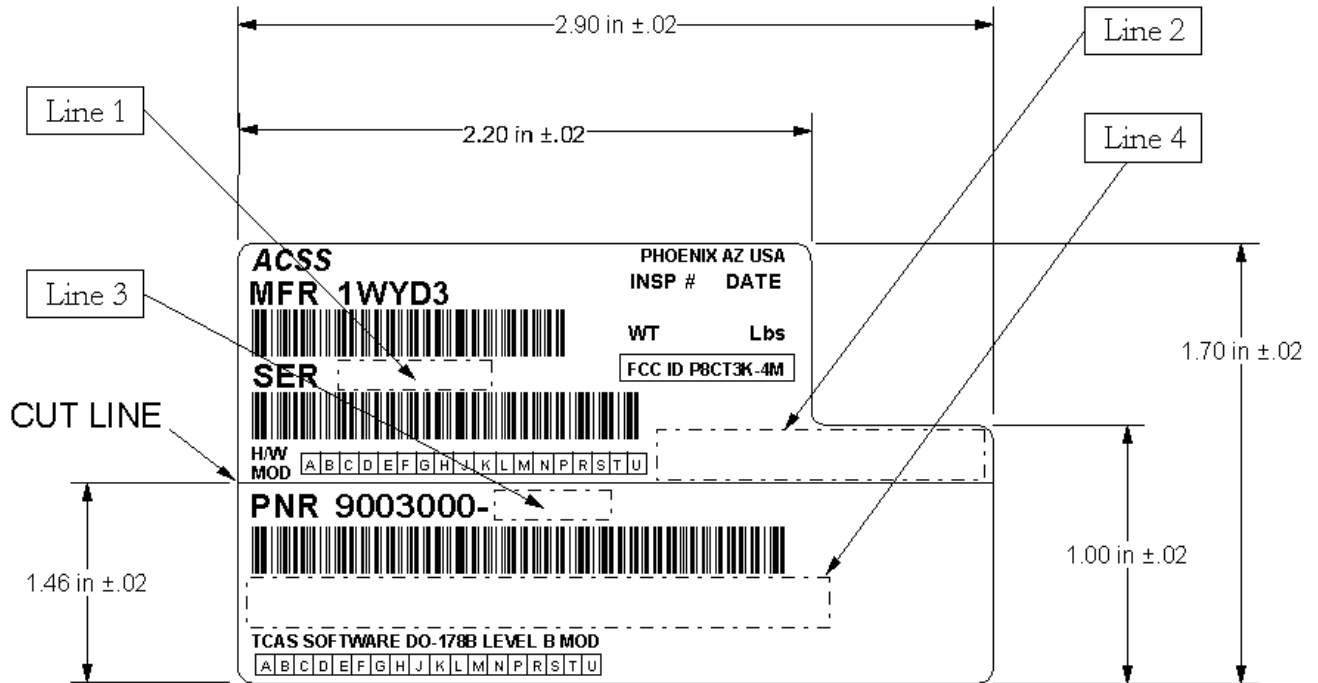


Note: Background color (Metallized Polyester) 1.2.1, Character and Line (Black) 1.3.1 Weight, Date, Inspector #, serial number, Environmental Categories, TSOs and PNR dash number all added at time of printing. Bar codes will change appearance depending on the information coded. Refer to Table 2 for contents of line 1, line 2, line 3, and line 4.

Figure 16  
Part Number 9000299-018

Document Number 9000299	Labels for T2CAS/APM and TCAS 3000	Revision K
----------------------------	------------------------------------	---------------

**TCAS 3000 4 MCU (28 VDC/115 VDC)**



Note: Background color (Metallized Polyester) 1.2.1, Character and Line (Black) 1.3.1 Weight, Date, Inspector #, serial number, Environmental Categories, TSOs and PNR dash number all added at time of printing. Bar codes will change appearance depending on the information coded. Refer to Table 2 for contents of line 1, line 2, line 3, and line 4.

Figure 17  
Part Number 9000299-019



Document Number 9000299	Labels for T2CAS/APM and TCAS 3000	Revision K
----------------------------	------------------------------------	---------------

**Nomenclature Plate Configuration Table**

ACSS S/W Label	Uses	Line 1 (Dash Number)	Line 2 (TSO Categories)	Line 3 (TSO Categories)	TAWS S/W MOD	TCAS S/W MOD
9000299-030	9000299-013 (Figure 11)	-10003	TSO C119b W/DEV to DO-160D (See installation manual for detail)	TSO C151b JTISO C119b JTISO C151b	A	None
9000299-031	9000299-013 (Figure 11)	-20003	TSO C119b W/DEV to DO-160D (See installation manual for detail)	TSO C151b TSO C129a JTISO C119b JTISO C151b	A	None
9000299-032	9000299-013 (Figure 11)	-55003	TSO C119b W/DEV to DO-160D (See installation manual for detail)	TSO C151b JTISO C119b JTISO C151b	A	None
9000299-033	9000299-013 (Figure 11)	-10003	TSO C119b W/DEV to DO-160D (See installation manual for detail)	TSO C151b	A	None
9000299-034	9000299-013 (Figure 11)	-20003	TSO C119b W/DEV to DO-160D (See installation manual for detail)	TSO C151b TSO C129a	A	None
9000299-035	9000299-013 (Figure 11)	-55003	TSO C119b W/DEV to DO-160D (See installation manual for detail)	TSO C151b	A	None
9000299-036	9000299-013 (Figure 11)	-10004	TSO C119b, TSO C151b	W/Dev (See installation manual for details)	None	None
9000299-037	9000299-013 (Figure 11)	-20004	TSO C119b, TSO C151b, TSO C129a	W/Dev (See installation manual for details)	None	None
9000299-038	9000299-013 (Figure 11)	-55004	TSO C119b, TSO C151b	W/Dev (See installation manual for details)	None	None
9000299-039	9000299-020 (Figure 18)	-10001	TSO C119b	W/Dev (See installation manual for details)	None	None
9000299-040	9000299-020 (Figure 18)	-55001	TSO C119b	W/Dev (See installation manual for details)	None	None
9000299-041	9000299-020 (Figure 18)	-65001	TSO C119b	W/Dev (See installation manual for details)	None	None
9000299-042	Reserved					
9000299-043	Reserved					
9000299-044	Reserved					
9000299-045	Reserved					
9000299-046	Reserved					

Table 1  
Nomenclature Plates – The software labels for field updates

**Label Field Entries Table**

ACSS Proprietary	Use or disclosure of the information on this sheet is subject to the proprietary notice on the title page.	Page 22
---------------------	------------------------------------------------------------------------------------------------------------	---------

Document Number 9000299	Labels for T2CAS/APM and TCAS 3000	Revision K
----------------------------	------------------------------------	---------------

LRU Part No.	Label Part No.	Fig. #	Line 1	Line 2	Line 3	Line 4	Comments
9000000-10003	9000299-011	9	Applicable S/N	DO-160D Env. Cat. (W/DEV)[(A2(F2)Y]BBB[(HB R)(RB1)(SM)]EXXXXXZ[EB Z]A[EZ]Z[RR.]M[A3E3]XXA	10003	TSO C119b W/DEV to DO-160D (See installation manual for detail)  TSO C151b	Picture Bus (Cert. 4)
9000000-20003	9000299-011	9	Applicable S/N	DO-160D Env. Cat (W/DEV)[(A2(F2)Y]BBB[(HB R)(RB1)(SM)]EXXXXXZ[EB Z]A[EZ]Z[RR]M[A3E3]XXA	20003	TSO C119b W/DEV to DO-160D (See installation manual for detail)  TSO C151b  TSO C129a	Picture Bus (Cert. 4)
9000000-55003	9000299-012	10	Applicable S/N	DO-160D Env. Cat (W/DEV)[(A2(F2)X]BBB[(HB R)(RB1)(SM)]EXXXXXZ[BZ]AZZ[RR]M[A3E3]XXA	55003	TSO C119b W/DEV to DO-160D (See installation manual for detail)  TSO C151b	Picture Bus (Cert. 4)
9003000-10001	9000299-017	15	Applicable S/N	DO-160D Env. Cat (W/DEV)[(A2(F2)Y]BBB[(HB R)(RB1)(SM)]EXXXXXZ[EB Z]A[EZ]Z[RR]M[A3J33]XXA	10001	TSO C119b W/DEV to DO-160D (See installation manual for details)	NA
9003000-55001	9000299-018	16	Applicable S/N	DO-160D Env. Cat (W/DEV)[(A2(F2)X]BBB[(HB R)(RB1)(SM)]EXXXXXZ[BZ]AZZ[RR]M[A3J33]XXA	55001	TSO C119b W/DEV to DO-160D (See installation manual for details)	NA
9003000-65001	9000299-019	17	Applicable S/N	DO-160D Env. Cat (W/DEV)[(A2(F2)Y]BBB[(HB R)(RB1)(SM)]EXXXXXZ[EB Z]A[EZ]Z[RR]M[A3J33]XXA	65001	TSO C119b W/DEV to DO-160D (See installation manual for details)	NA

Table 2  
Nomenclature Plates – Hardware labels line entries

Document Number 9000299	Labels for T2CAS/APM and TCAS 3000	Revision K
----------------------------	------------------------------------	---------------

## REVISION HISTORY

Revision	Date of Revision	Description of Change
Rev None	See PDM	Initial Release ECR 5883
Rev A	See PDM	ECR 5918, change 9000299-001 DO160D cat.
Rev B	See PDM	ECR5953, change 9000299-001 DO160D cat., remove [] from the 9000299-003 label and CHG FCC ID to P8CTT-951.
Rev C	See PDM	ECR6208, Adds four new labels for Cert. 2 and 3 for JTSSO Cert. 1
Rev D	See PDM	ECR007389, Make corrections to Fig 9, add generic labels and label field entry table (Table 2)
Rev E	See PDM	ECR007835, Add Software tear-off label, PN 9000299-013, to include updating Table 1.
Rev F	22-Sep-04	ECR007990, Update table 2 to remove JTSSO. Add -033, -034, -035.
Rev G	12-Oct-04	ECR008076, Add Fig. 12 for -014, add 1.5 requirement, Revise header to ACSS format.
Rev H	28-Oct-04	ECR008111, Changed W/Dev lines on -014. Added -015.
Rev J	10-Nov-04	ECR008150, added -016, -036, -037, -038. Updated Table 1 format. Updated Fig. 13 to add line 3.
Rev K	16-Jan-06	ECR009161. added -017, -018, -019, -020. Updated Tables 1 and 2.

## End of Document