



## Labels for T2CAS/APM and TCAS 3000

CAGE Code <b>1WYD3</b>	Initial Release Date <b>04-FEB-03</b>	Revision Date <b>16-JAN-06</b>	Document Number <b>9000299</b>	Revision <b>K</b>
---------------------------	--	-----------------------------------	-----------------------------------	----------------------

### Proprietary Notice

This document and the information disclosed herein are proprietary data of Aviation Communication & Surveillance Systems LLC. Neither this document nor the information contained herein "shall" be reproduced, used, or disclosed to others without the written authorization of Aviation Communication & Surveillance Systems, LLC.

### Notice

Freedom of Information Act (5 USC 552) and Disclosure of Confidential Information Generally (18 USC 1905)

This document is being furnished in confidence by Aviation Communication & Surveillance Systems, LLC. The information disclosed herein falls within exemption (b) (4) of 5 USC 552 and the prohibitions of 18 USC 1905.

Document Number 9000299	Labels for T2CAS/APM and TCAS 3000	Revision K
----------------------------	------------------------------------	---------------

## Table of Contents

**REQUIREMENTS..... 3**

**1.1. Material .....3**

**1.2. Background .....3**

    1.2.1. Metallized Polyester .....3

**1.3. Characters and Lines.....3**

    1.3.1. Black, Thermal Printed .....3

**1.4. Label Construction .....3**

**1.5. Dimensional Units and Tolerances.....3**

**REFERENCE DOCUMENTS ..... 3**

**FIGURES AND TABLES: ..... 4**

    T2CAS 6 MCU Label .....4

    APM Label .....5

    T2CAS 4 MCU (No GPS or 115VAC) Label .....6

    T2CAS 4 MCU (No GPS or 115VAC) .....7

    T2CAS 6 MCU No GPS Label .....8

    T2CAS 6 MCU With GPS Label .....9

    T2CAS 4 MCU (No GPS or 115VAC) .....10

    T2CAS 6 MCU No GPS Label .....11

    Generic T2CAS 6 MCU Label .....12

    Generic T2CAS 4 MCU (No GPS or 115VAC) Label .....13

    T2CAS Software Tear-off Label .....14

    T2CAS 6MCU No GPS Label .....15

    T2CAS 6 MCU With GPS Label .....16

    T2CAS 4 MCU Label .....17

    TCAS 3000 6 MCU Label .....18

    TCAS 3000 4 MCU (28 VDC) .....19

    TCAS 3000 4 MCU (28 VDC/115 VDC) .....20

    TCAS 3000 Software Tear-off Label .....21

    Nomenclature Plate Configuration Table .....22

    Label Field Entries Table .....22

**REVISION HISTORY..... 24**

**END OF DOCUMENT ..... 24**

Document Number 9000299	Labels for T2CAS/APM and TCAS 3000	Revision K
----------------------------	------------------------------------	---------------

## Requirements

### 1.1. MATERIAL

BRADY MATERIAL: MATTE METALLIZED POLYESTER (B-428) ADHESIVE BACKED OR EQUIVALENT.

### 1.2. BACKGROUND

#### 1.2.1. METALLIZED POLYESTER

### 1.3. CHARACTERS AND LINES

#### 1.3.1. BLACK, THERMAL PRINTED

### 1.4. LABEL CONSTRUCTION

LABELS ARE CONSTRUCTED OF COMPUTER GENERATED/COMPUTER PRINTED ADHESIVE BACKED METALLIZED POLYESTER.

### 1.5. DIMENSIONAL UNITS AND TOLERANCES

UNLESS OTHERWISE SPECIFIED, ALL DIMENSIONS ARE IN INCHES AND TOLERANCES APPLY AS FOLLOWS: 2 PLACE DECIMAL  $\pm 0.02$ , 3 PLACE DECIMAL  $\pm 0.005$ .

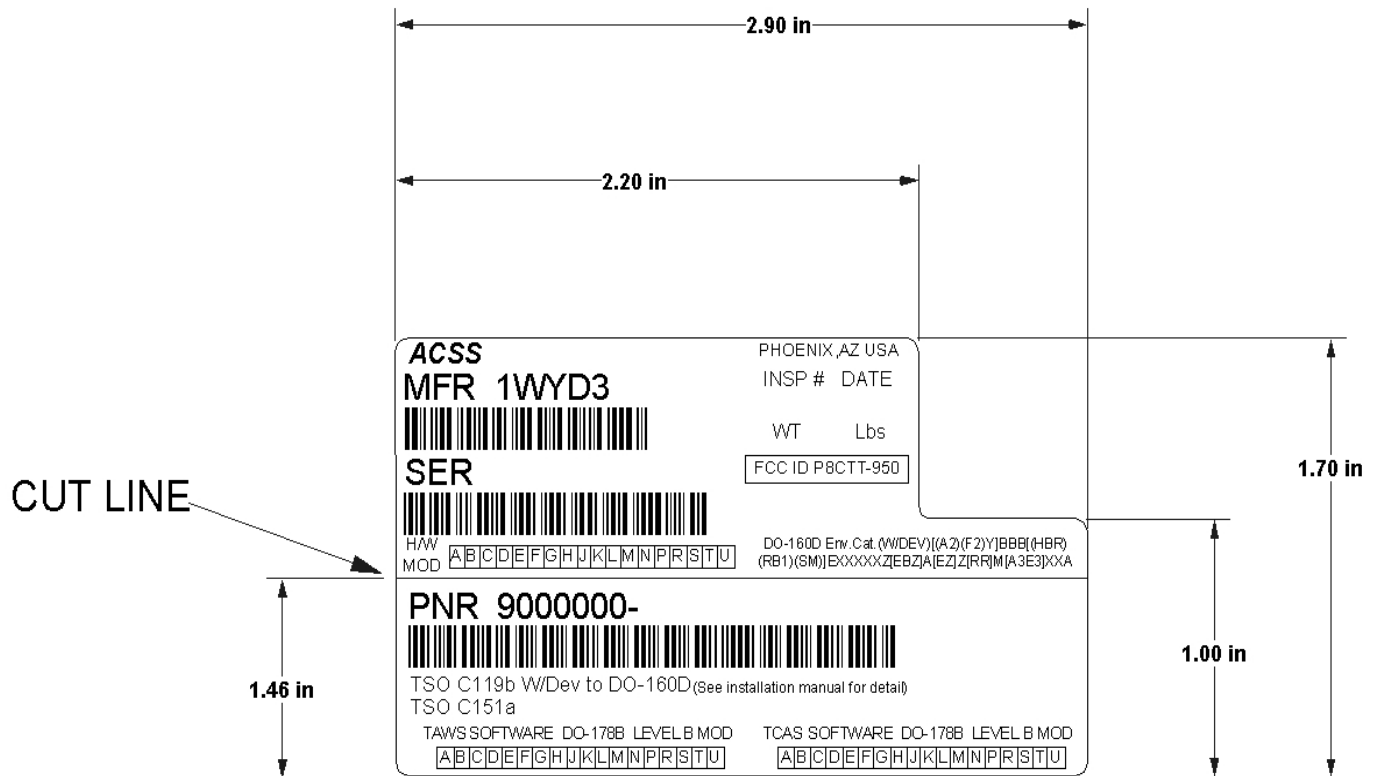
## Reference Documents

None

Document Number 9000299	Labels for T2CAS/APM and TCAS 3000	Revision K
----------------------------	------------------------------------	---------------

## Figures and Tables:

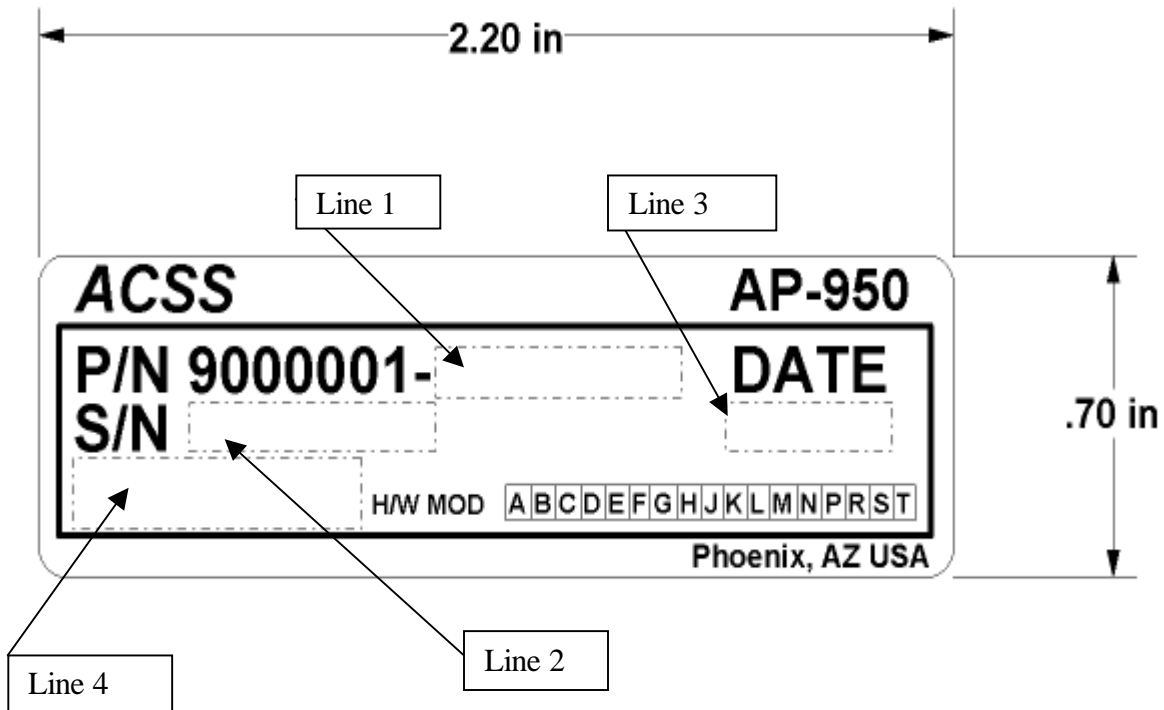
### T2CAS 6 MCU Label



Notes: Background color (Metallized Polyester) 1.2.1, Character and Line (Black) 1.3.1 Weight, Date, Inspector #, serial number, and PNR dash number all added at time of printing. Bar codes will change appearance depending on the information coded.

Figure 1  
Part Number 9000299-001

**APM Label**



Notes: Background color (Metallized Polyester) 1.2.1, Character and Line (Black) 1.3.1  
Date, Serial number, TSO/JTSO numbers, and PNR dash number all added at time of printing.

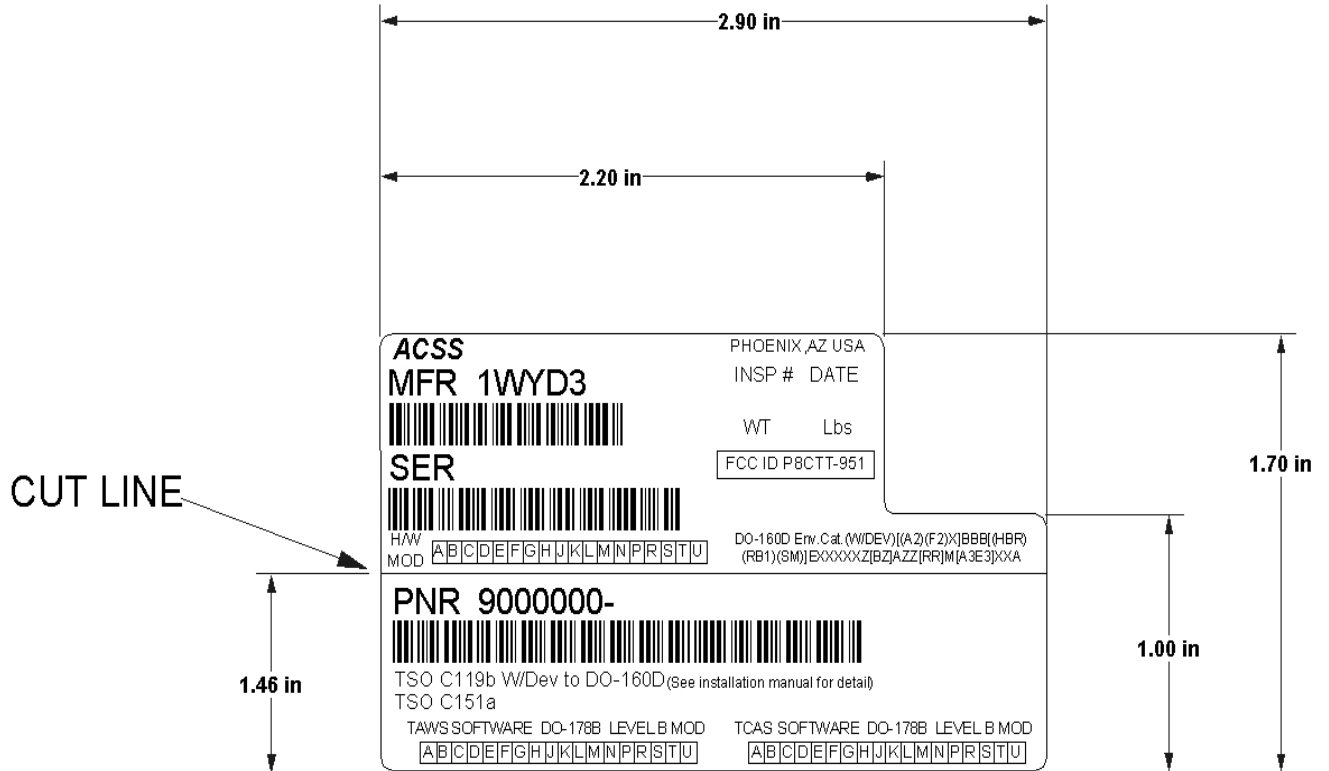
Figure 2  
APM Label

APM Label Information Table to Accompany Figure 2

PART NO.	LINE 1	LINE 2	LINE 3	LINE 4
9000299-002	10001	applicable S/N	applicable date	TSO C151a
9000299-007	10001	applicable S/N	applicable date	TSO C151b
9000299-010	10001	applicable S/N	applicable date	TSO C151a JTSO C151a

Document Number 9000299	Labels for T2CAS/APM and TCAS 3000	Revision K
----------------------------	------------------------------------	---------------

**T2CAS 4 MCU (No GPS or 115VAC) Label**

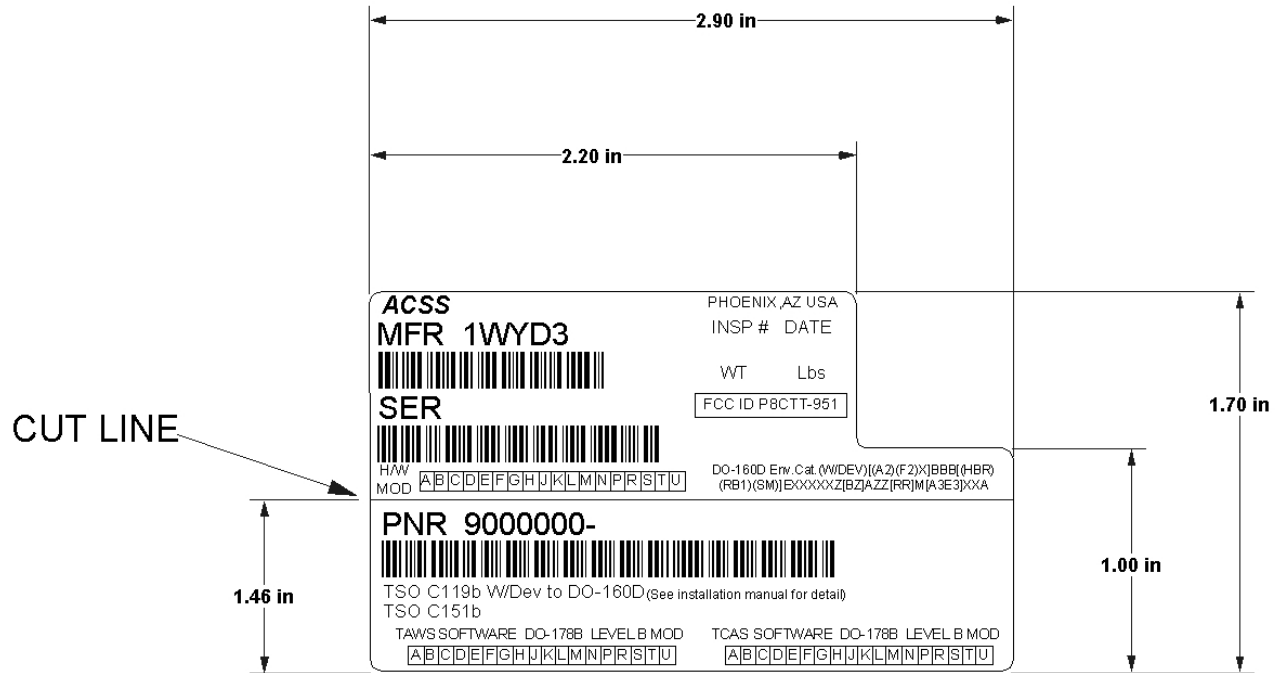


Note: Background color (Metallized Polyester) 1.2.1, Character and Line (Black) 1.3.1 Weight, Date, Inspector #, serial number, and PNR dash number all added at time of printing. Bar codes will change appearance depending on the information coded.

Figure 3  
Part Number 9000299-003

Document Number 9000299	Labels for T2CAS/APM and TCAS 3000	Revision K
----------------------------	------------------------------------	---------------

**T2CAS 4 MCU (No GPS or 115VAC)**

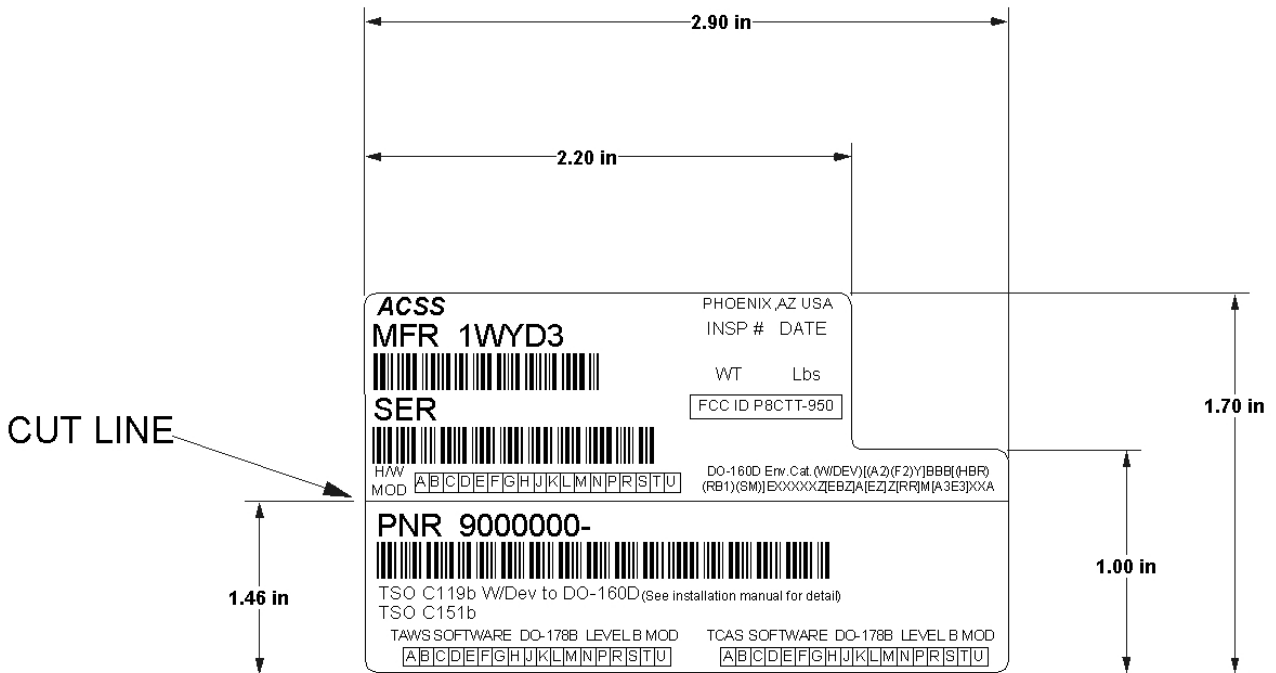


Note: Background color (Metallized Polyester) 1.2.1, Character and Line (Black) 1.3.1 Weight, Date, Inspector #, serial number, and PNR dash number all added at time of printing. Bar codes will change appearance depending on the information coded.

Figure 4  
Part Number 9000299-004

Document Number 9000299	Labels for T2CAS/APM and TCAS 3000	Revision K
----------------------------	------------------------------------	---------------

**T2CAS 6 MCU No GPS Label**



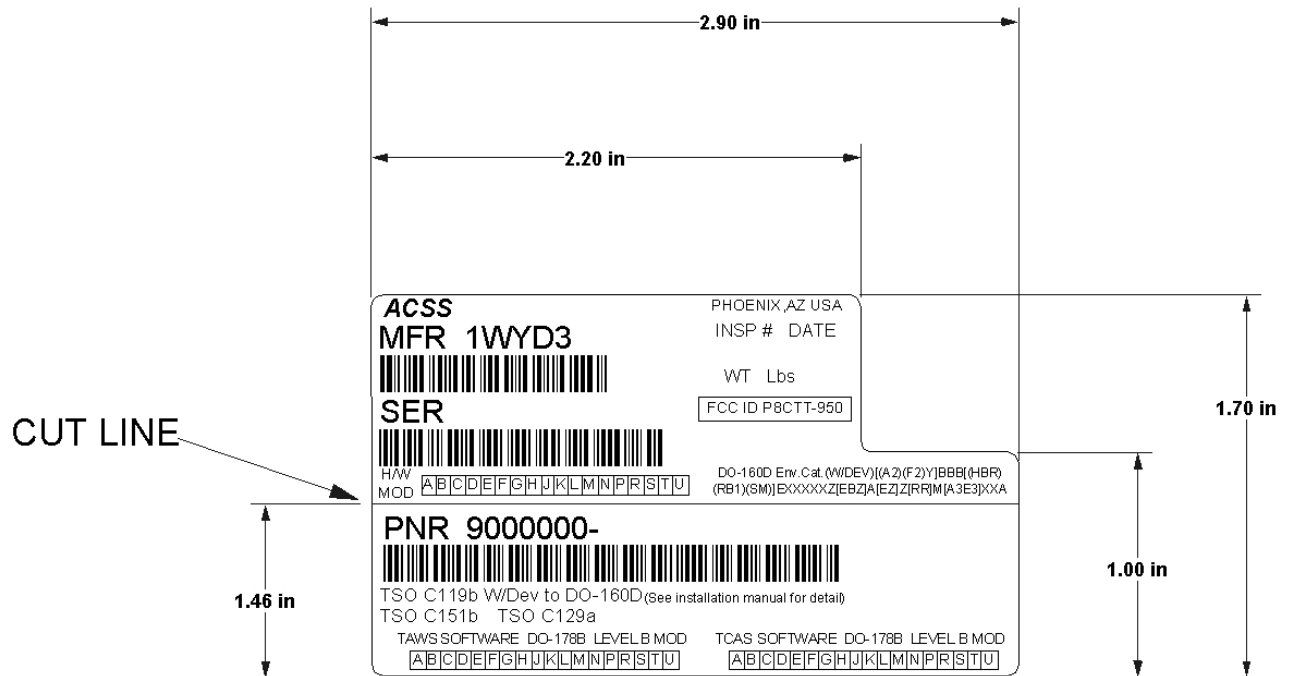
Note: Background color (Metallized Polyester) 1.2.1, Character and Line (Black) 1.3.1 Weight, Date, Inspector #, serial number, and PNR dash number all added at time of printing. Bar codes will change appearance depending on the information coded.

Figure 5  
Part Number 9000299-005



Document Number 9000299	Labels for T2CAS/APM and TCAS 3000	Revision K
----------------------------	------------------------------------	---------------

**T2CAS 6 MCU With GPS Label**

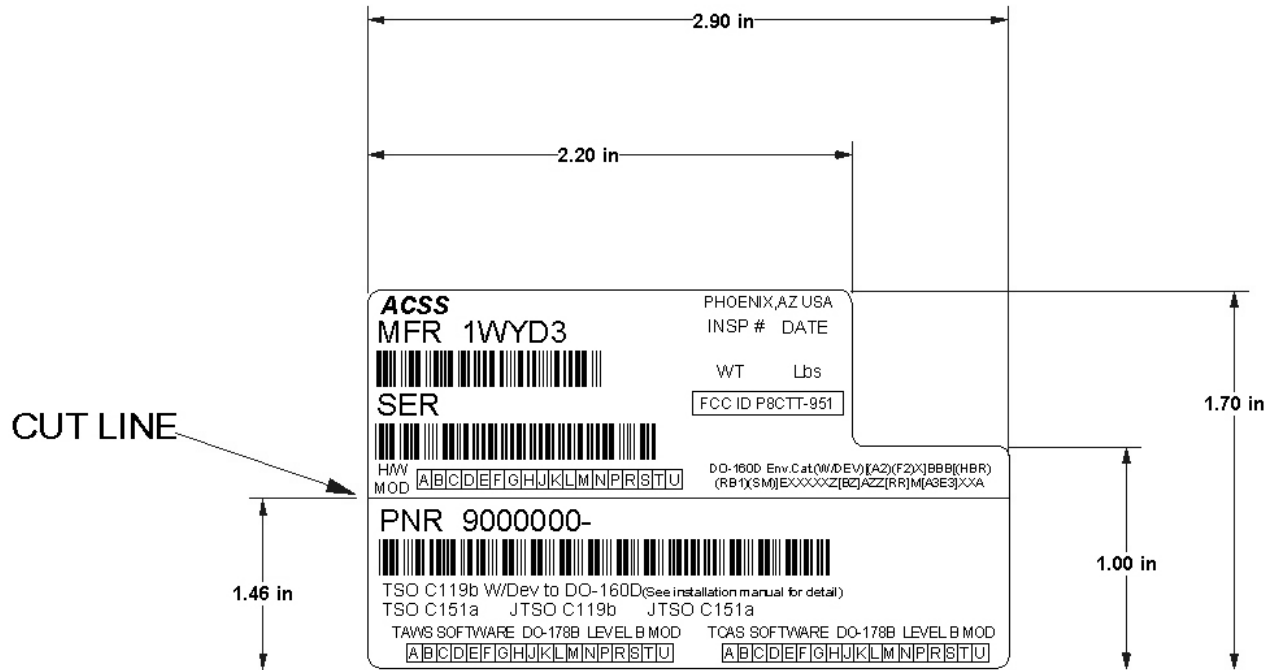


Note: Background color (Metallized Polyester) 1.2.1, Character and Line (Black) 1.3.1 Weight, Date, Inspector #, serial number, and PNR dash number all added at time of printing. Bar codes will change appearance depending on the information coded.

Figure 6  
Part Number 9000299-006

Document Number 9000299	Labels for T2CAS/APM and TCAS 3000	Revision K
----------------------------	------------------------------------	---------------

**T2CAS 4 MCU (No GPS or 115VAC)**

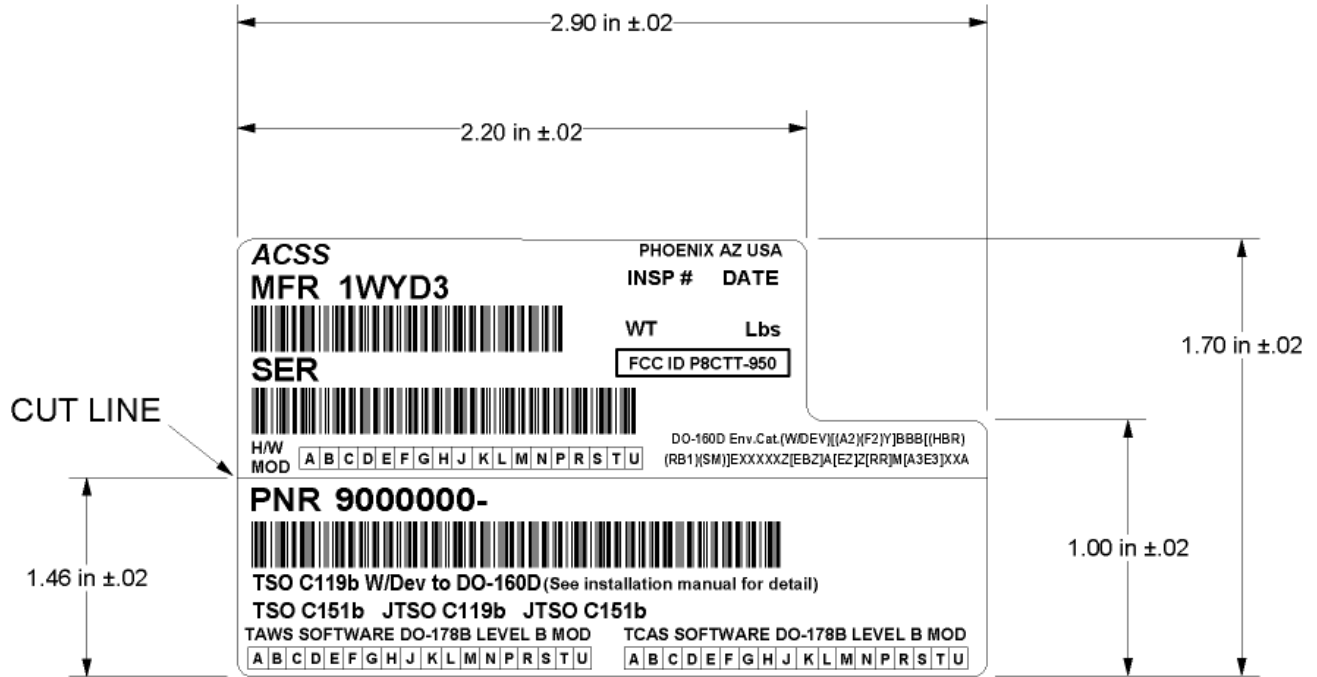


Note: Background color (Metallized Polyester) 1.2.1, Character and Line (Black) 1.3.1 Weight, Date, Inspector #, serial number, and PNR dash number all added at time of printing. Bar codes will change appearance depending on the information coded.

Figure 7  
 Part Number 9000299-008

Document Number 9000299	Labels for T2CAS/APM and TCAS 3000	Revision K
----------------------------	------------------------------------	---------------

**T2CAS 6 MCU No GPS Label**

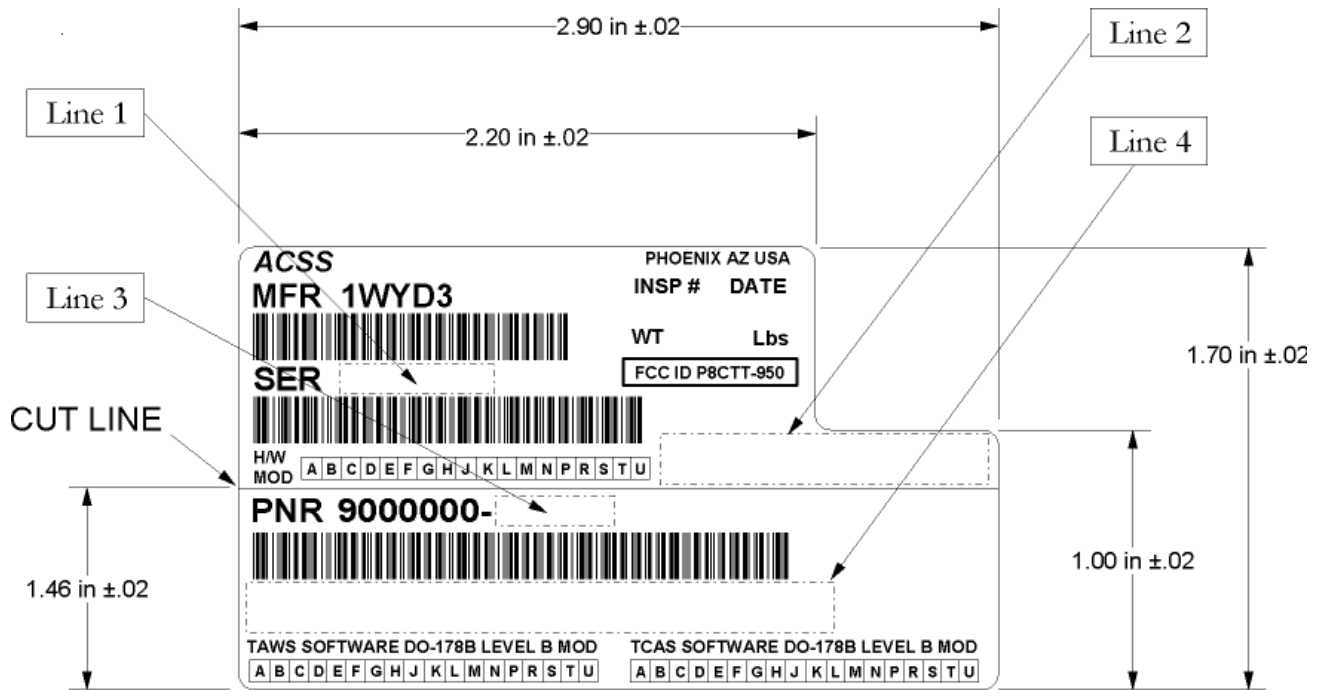


Note: Background color (Metallized Polyester) 1.2.1, Character and Line (Black) 1.3.1 Weight, Date, Inspector #, serial number, and PNR dash number all added at time of printing. Bar codes will change appearance depending on the information coded.

Figure 8  
Part Number 9000299-009

Document Number 9000299	Labels for T2CAS/APM and TCAS 3000	Revision K
----------------------------	------------------------------------	---------------

**Generic T2CAS 6 MCU Label**

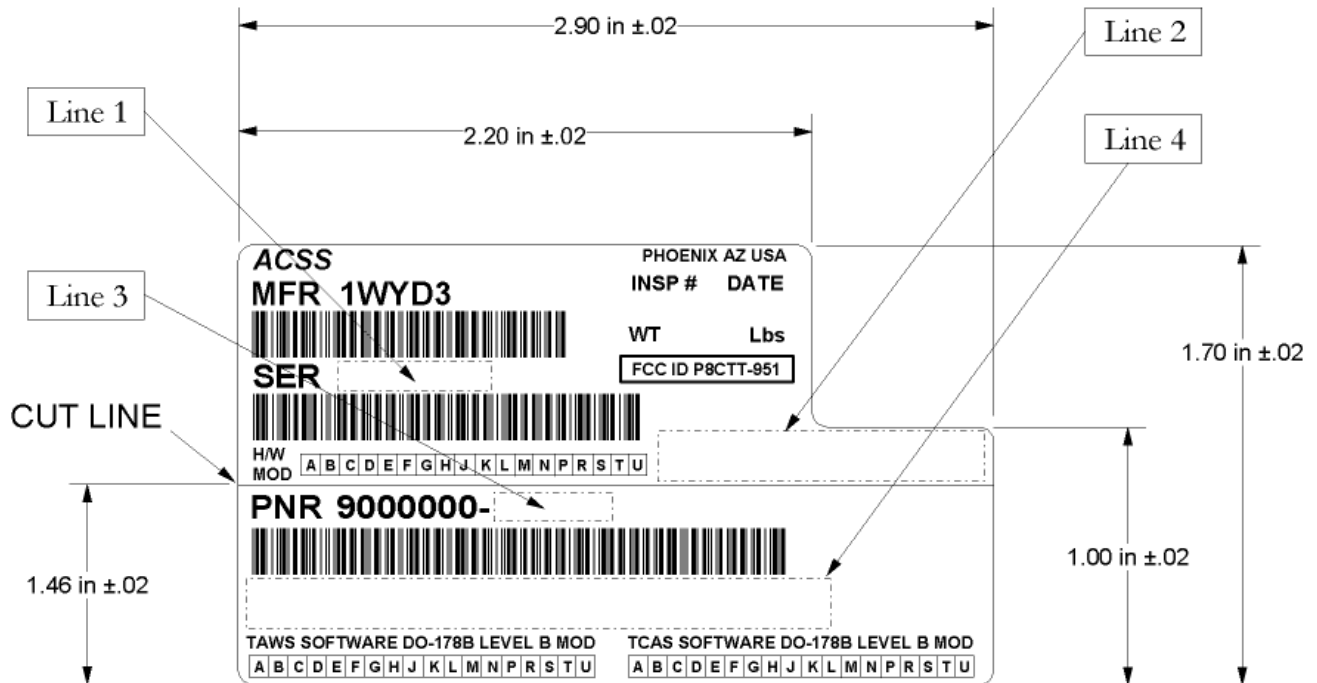


Note: Background color (Metallized Polyester) 1.2.1, Character and Line (Black) 1.3.1 Weight, Date, Inspector #, serial number, Environmental Categories, TSOs and PNR dash number all added at time of printing. Bar codes will change appearance depending on the information coded. Refer to Table 2 for contents of line 1, line 2, line 3, and line 4.

Figure 9  
Part Number 9000299-011

Document Number 9000299	Labels for T2CAS/APM and TCAS 3000	Revision K
----------------------------	------------------------------------	---------------

**Generic T2CAS 4 MCU (No GPS or 115VAC) Label**

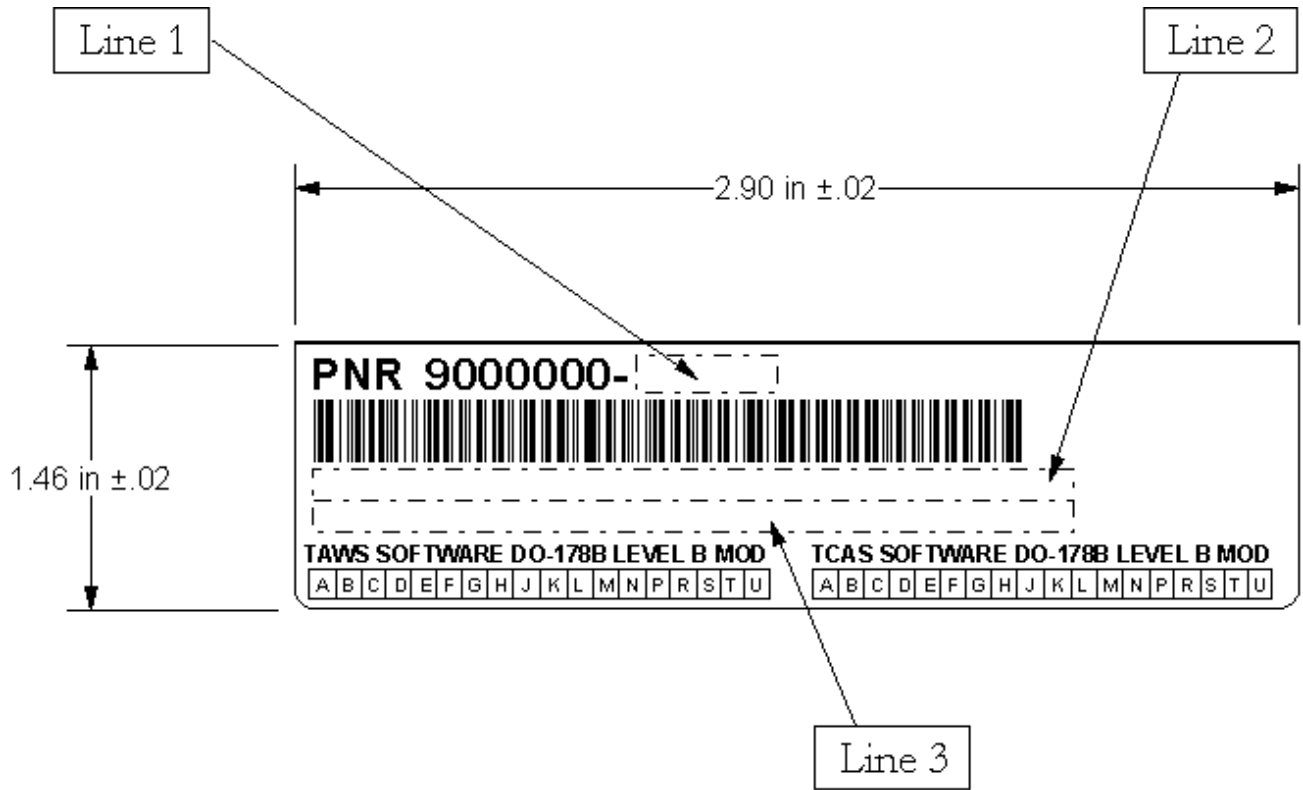


Note: Background color (Metallized Polyester) 1.2.1, Character and Line (Black) 1.3.1 Weight, Date, Inspector #, serial number, Environmental Categories, TSOs and PNR dash number all added at time of printing. Bar codes will change appearance depending on the information coded. Refer to Table 2 for contents of line 1, line 2, line 3 and line 4.

Figure 10  
Part Number 9000299-012

Document Number 9000299	Labels for T2CAS/APM and TCAS 3000	Revision K
----------------------------	------------------------------------	---------------

**T2CAS Software Tear-off Label**

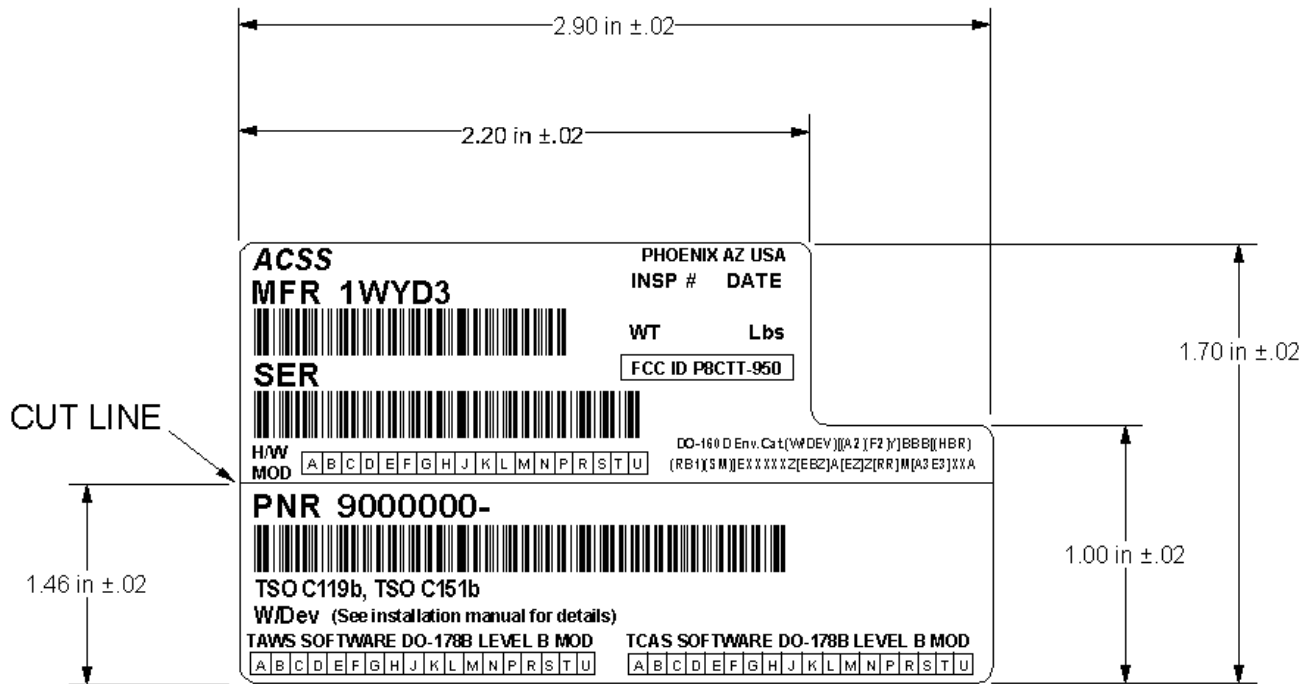


Note: Background color (Metallized Polyester) 1.2.1, Character and Line (Black) 1.3.1.  
 PNR dash number, Environmental Categories, TSOs and JTSOs all added at time of printing. Bar codes will change appearance depending on the information coded. Refer to Table 1 for contents of line 1, line 2 and line 3.

Figure 11  
 Part Number 9000299-013

Document Number 9000299	Labels for T2CAS/APM and TCAS 3000	Revision K
----------------------------	------------------------------------	---------------

**T2CAS 6MCU No GPS Label**



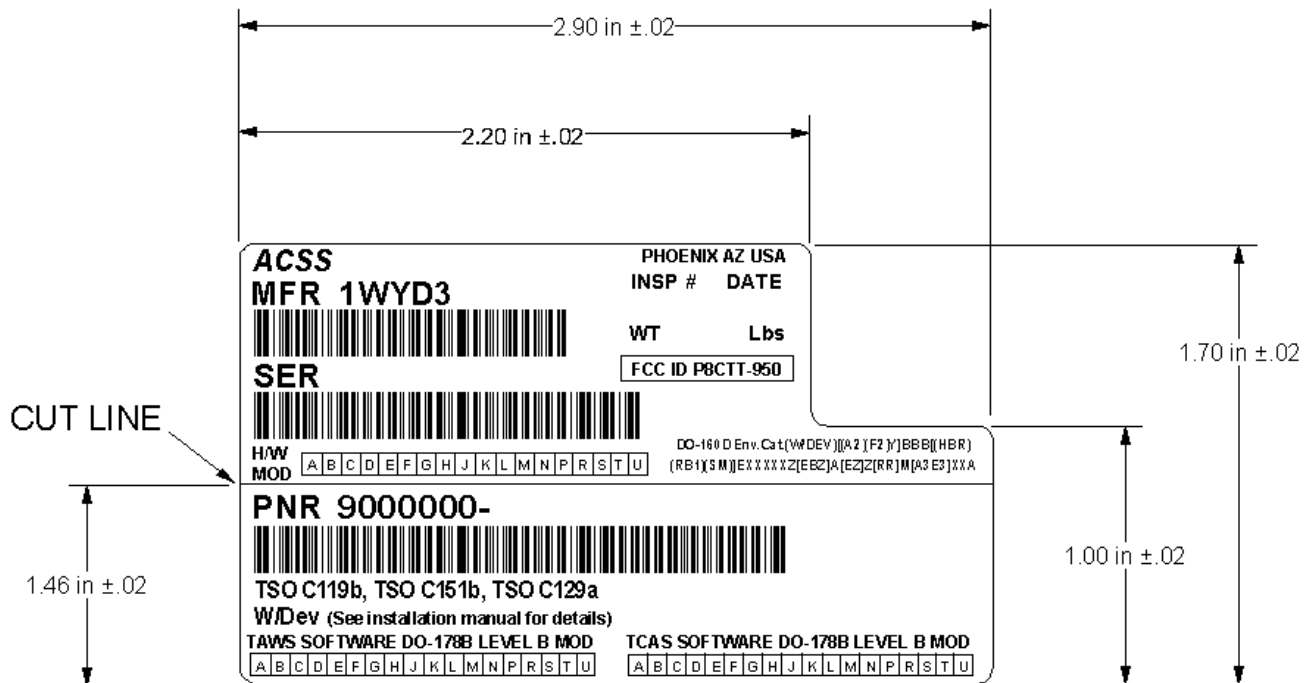
Note: Background color (Metallized Polyester) 1.2.1, Character and Line (Black) 1.3.1 Weight, Date, Inspector #, serial number, and PNR dash number all added at time of printing. Bar codes will change appearance depending on the information coded.

Figure 12

Part Number 9000299-014

Document Number 9000299	Labels for T2CAS/APM and TCAS 3000	Revision K
----------------------------	------------------------------------	---------------

**T2CAS 6 MCU With GPS Label**



Note: Background color (Metallized Polyester) 1.2.1, Character and Line (Black) 1.3.1 Weight, Date, Inspector #, serial number, and PNR dash number all added at time of printing. Bar codes will change appearance depending on the information coded.

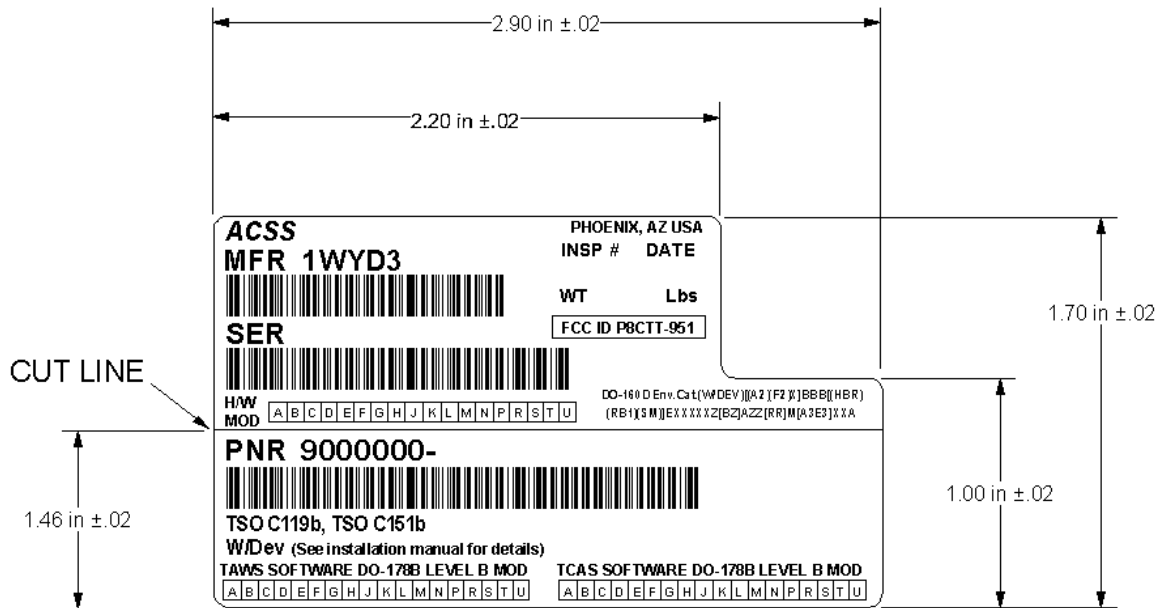
Figure 13

Part Number 9000299-015



Document Number 9000299	Labels for T2CAS/APM and TCAS 3000	Revision K
----------------------------	------------------------------------	---------------

**T2CAS 4 MCU Label**

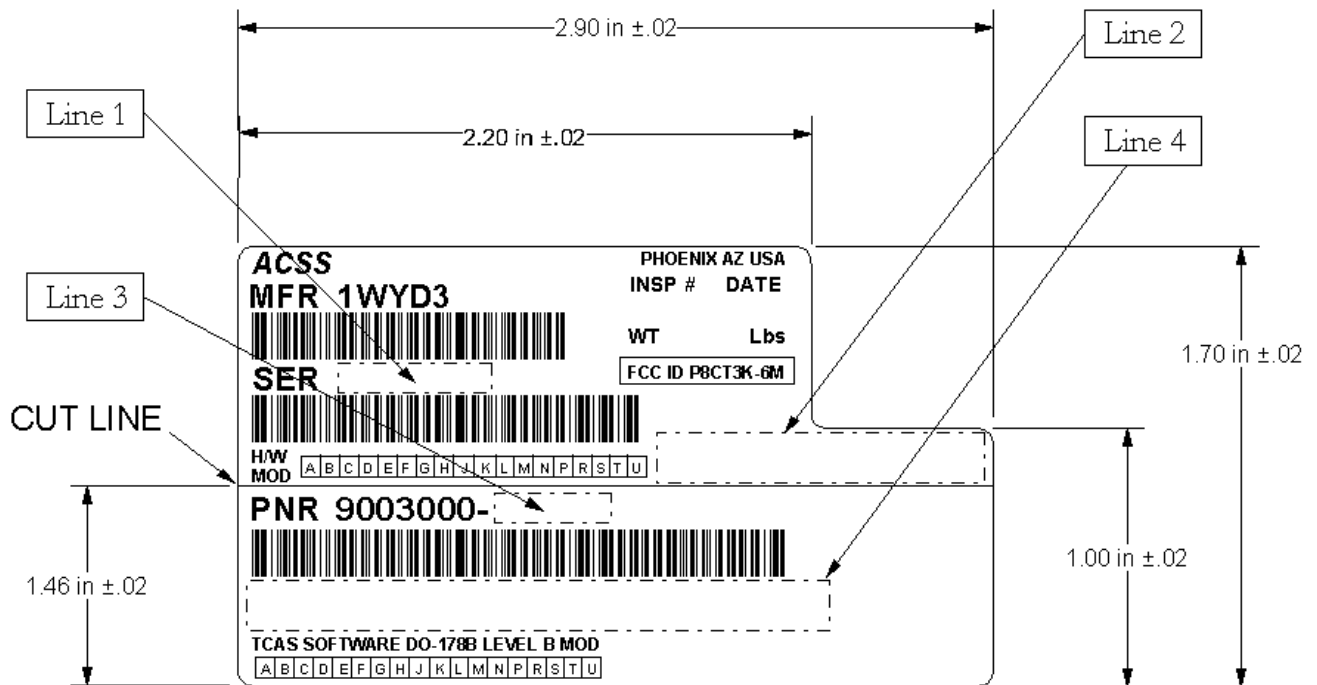


Note: Background color (Metallized Polyester) 1.2.1, Character and Line (Black) 1.3.1 Weight, Date, Inspector #, serial number, and PNR dash number all added at time of printing. Bar codes will change appearance depending on the information coded.

Figure 14  
Part Number 9000299-016

Document Number 9000299	Labels for T2CAS/APM and TCAS 3000	Revision K
----------------------------	------------------------------------	---------------

**TCAS 3000 6 MCU Label**

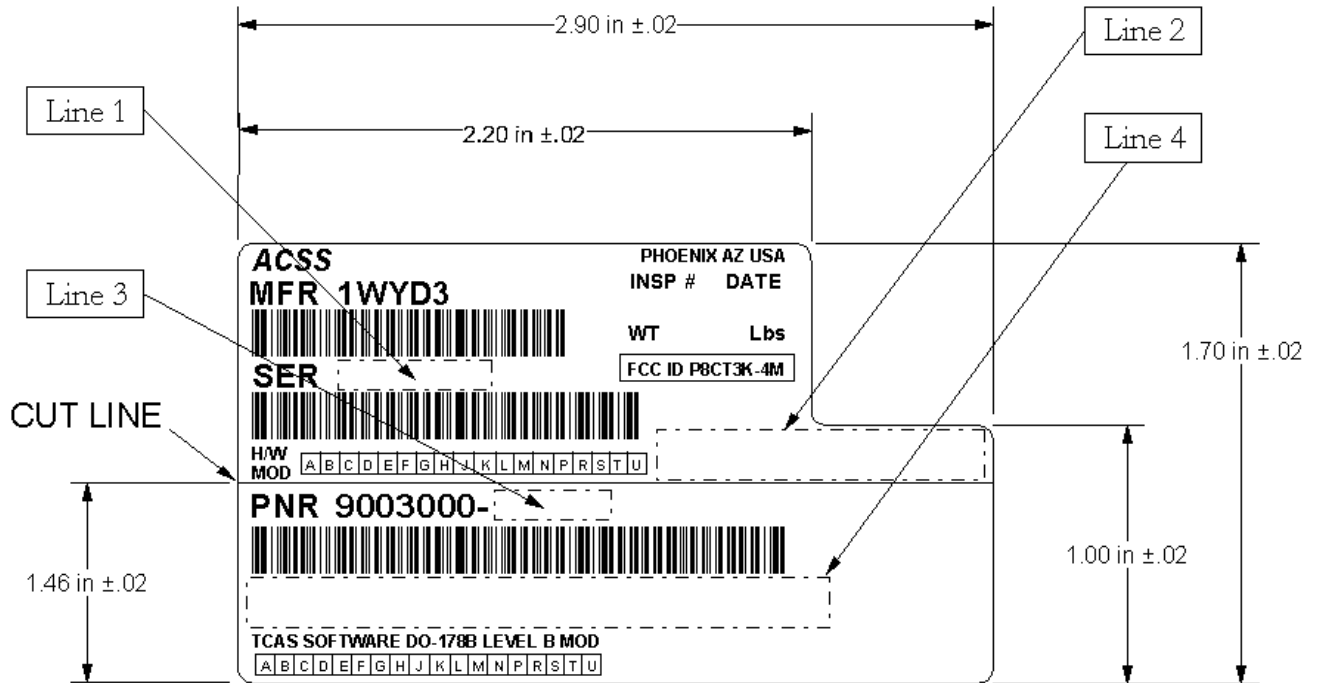


Note: Background color (Metallized Polyester) 1.2.1, Character and Line (Black) 1.3.1 Weight, Date, Inspector #, serial number, Environmental Categories, TSOs and PNR dash number all added at time of printing. Bar codes will change appearance depending on the information coded. Refer to Table 2 for contents of line 1, line 2, line 3, and line 4.

Figure 15  
Part Number 9000299-017

Document Number 9000299	Labels for T2CAS/APM and TCAS 3000	Revision K
----------------------------	------------------------------------	---------------

**TCAS 3000 4 MCU (28 VDC)**

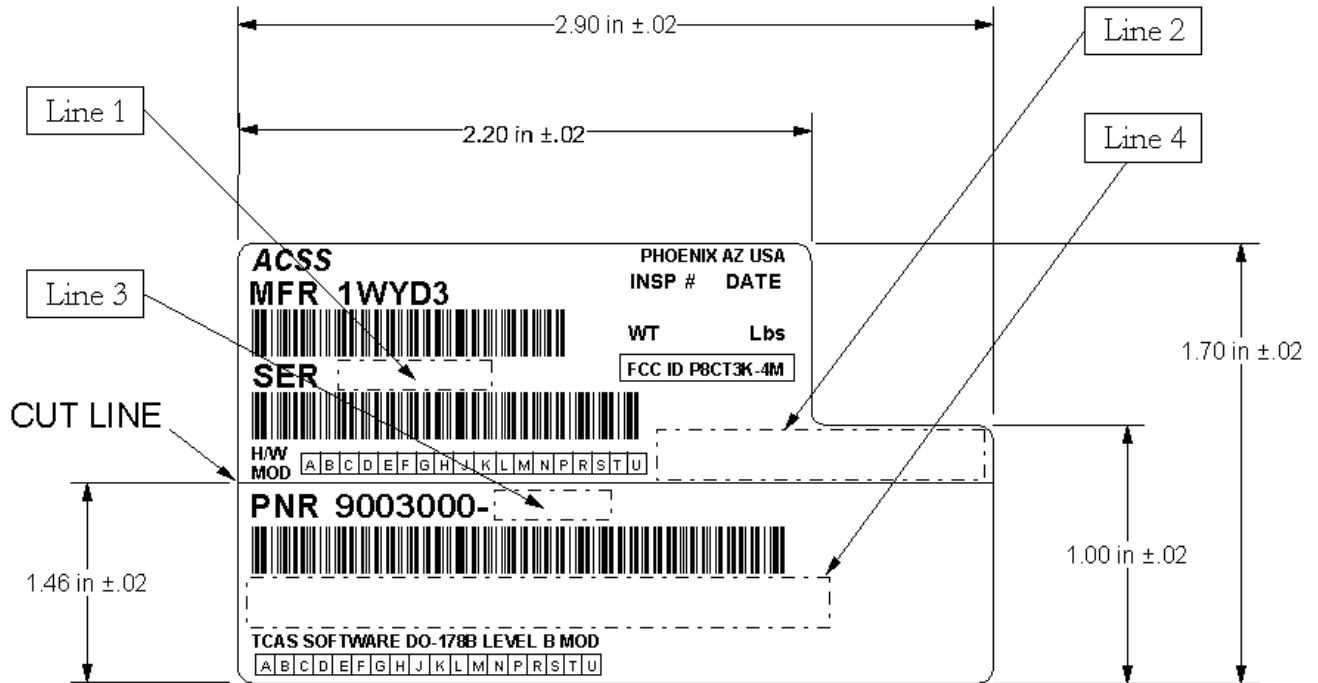


Note: Background color (Metallized Polyester) 1.2.1, Character and Line (Black) 1.3.1 Weight, Date, Inspector #, serial number, Environmental Categories, TSOs and PNR dash number all added at time of printing. Bar codes will change appearance depending on the information coded. Refer to Table 2 for contents of line 1, line 2, line 3, and line 4.

Figure 16  
Part Number 9000299-018

Document Number 9000299	Labels for T2CAS/APM and TCAS 3000	Revision K
----------------------------	------------------------------------	---------------

**TCAS 3000 4 MCU (28 VDC/115 VDC)**

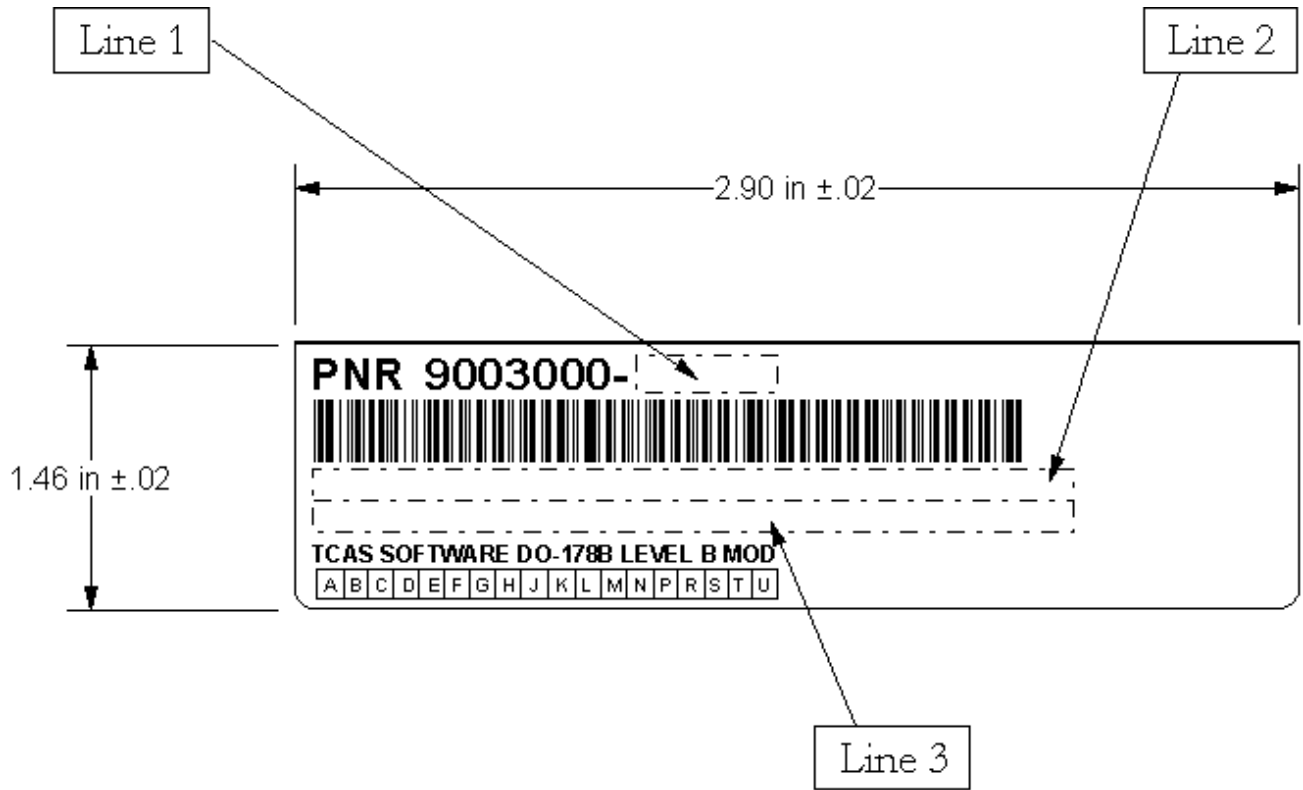


Note: Background color (Metallized Polyester) 1.2.1, Character and Line (Black) 1.3.1 Weight, Date, Inspector #, serial number, Environmental Categories, TSOs and PNR dash number all added at time of printing. Bar codes will change appearance depending on the information coded. Refer to Table 2 for contents of line 1, line 2, line 3, and line 4.

Figure 17  
Part Number 9000299-019

Document Number 9000299	Labels for T2CAS/APM and TCAS 3000	Revision K
----------------------------	------------------------------------	---------------

**TCAS 3000 Software Tear-off Label**



Note: Background color (Metallized Polyester) 1.2.1, Character and Line (Black) 1.3.1. PNR dash number, Environmental Categories and TSOs all added at time of printing. Bar codes will change appearance depending on the information coded. Refer to Table 1 for contents of line 1, line 2 and line 3.

Figure 18

Part Number 9000299-020

Document Number 9000299	Labels for T2CAS/APM and TCAS 3000	Revision K
----------------------------	------------------------------------	---------------

### Nomenclature Plate Configuration Table

ACSS S/W Label	Uses	Line 1 (Dash Number)	Line 2 (TSO Categories)	Line 3 (TSO Categories)	TAWS S/W MOD	TCAS S/W MOD
9000299-030	9000299-013 (Figure 11)	-10003	TSO C119b W/DEV to DO-160D (See installation manual for detail)	TSO C151b JTISO C119b JTISO C151b	A	None
9000299-031	9000299-013 (Figure 11)	-20003	TSO C119b W/DEV to DO-160D (See installation manual for detail)	TSO C151b TSO C129a JTISO C119b JTISO C151b	A	None
9000299-032	9000299-013 (Figure 11)	-55003	TSO C119b W/DEV to DO-160D (See installation manual for detail)	TSO C151b JTISO C119b JTISO C151b	A	None
9000299-033	9000299-013 (Figure 11)	-10003	TSO C119b W/DEV to DO-160D (See installation manual for detail)	TSO C151b	A	None
9000299-034	9000299-013 (Figure 11)	-20003	TSO C119b W/DEV to DO-160D (See installation manual for detail)	TSO C151b TSO C129a	A	None
9000299-035	9000299-013 (Figure 11)	-55003	TSO C119b W/DEV to DO-160D (See installation manual for detail)	TSO C151b	A	None
9000299-036	9000299-013 (Figure 11)	-10004	TSO C119b, TSO C151b	W/Dev (See installation manual for details)	None	None
9000299-037	9000299-013 (Figure 11)	-20004	TSO C119b, TSO C151b, TSO C129a	W/Dev (See installation manual for details)	None	None
9000299-038	9000299-013 (Figure 11)	-55004	TSO C119b, TSO C151b	W/Dev (See installation manual for details)	None	None
9000299-039	9000299-020 (Figure 18)	-10001	TSO C119b	W/Dev (See installation manual for details)	None	None
9000299-040	9000299-020 (Figure 18)	-55001	TSO C119b	W/Dev (See installation manual for details)	None	None
9000299-041	9000299-020 (Figure 18)	-65001	TSO C119b	W/Dev (See installation manual for details)	None	None
9000299-042	Reserved					
9000299-043	Reserved					
9000299-044	Reserved					
9000299-045	Reserved					
9000299-046	Reserved					

Table 1  
Nomenclature Plates – The software labels for field updates

### Label Field Entries Table

ACSS Proprietary	Use or disclosure of the information on this sheet is subject to the proprietary notice on the title page.	Page 22
---------------------	--	---------

Document Number 9000299	Labels for T2CAS/APM and TCAS 3000	Revision K
----------------------------	------------------------------------	---------------

LRU Part No.	Label Part No.	Fig. #	Line 1	Line 2	Line 3	Line 4	Comments
9000000-10003	9000299-011	9	Applicable S/N	DO-160D Env. Cat. (W/DEV)[(A2(F2)Y]BBB[(HB R)(RB1)(SM)]EXXXXXZ[EB Z]A[EZ]Z[RR.]M[A3E3]XXA	10003	TSO C119b W/DEV to DO-160D (See installation manual for detail)  TSO C151b	Picture Bus (Cert. 4)
9000000-20003	9000299-011	9	Applicable S/N	DO-160D Env. Cat (W/DEV)[(A2(F2)Y]BBB[(HB R)(RB1)(SM)]EXXXXXZ[EB Z]A[EZ]Z[RR]M[A3E3]XXA	20003	TSO C119b W/DEV to DO-160D (See installation manual for detail)  TSO C151b  TSO C129a	Picture Bus (Cert. 4)
9000000-55003	9000299-012	10	Applicable S/N	DO-160D Env. Cat (W/DEV)[(A2(F2)X]BBB[(HB R)(RB1)(SM)]EXXXXXZ[BZ]AZZ[RR]M[A3E3]XXA	55003	TSO C119b W/DEV to DO-160D (See installation manual for detail)  TSO C151b	Picture Bus (Cert. 4)
9003000-10001	9000299-017	15	Applicable S/N	DO-160D Env. Cat (W/DEV)[(A2(F2)Y]BBB[(HB R)(RB1)(SM)]EXXXXXZ[EB Z]A[EZ]Z[RR]M[A3J33]XXA	10001	TSO C119b W/DEV to DO-160D (See installation manual for details)	NA
9003000-55001	9000299-018	16	Applicable S/N	DO-160D Env. Cat (W/DEV)[(A2(F2)X]BBB[(HB R)(RB1)(SM)]EXXXXXZ[BZ]AZZ[RR]M[A3J33]XXA	55001	TSO C119b W/DEV to DO-160D (See installation manual for details)	NA
9003000-65001	9000299-019	17	Applicable S/N	DO-160D Env. Cat (W/DEV)[(A2(F2)Y]BBB[(HB R)(RB1)(SM)]EXXXXXZ[EB Z]A[EZ]Z[RR]M[A3J33]XXA	65001	TSO C119b W/DEV to DO-160D (See installation manual for details)	NA

Table 2  
Nomenclature Plates – Hardware labels line entries

Document Number 9000299	Labels for T2CAS/APM and TCAS 3000	Revision K
----------------------------	------------------------------------	---------------

## REVISION HISTORY

Revision	Date of Revision	Description of Change
Rev None	See PDM	Initial Release ECR 5883
Rev A	See PDM	ECR 5918, change 9000299-001 DO160D cat.
Rev B	See PDM	ECR5953, change 9000299-001 DO160D cat., remove [] from the 9000299-003 label and CHG FCC ID to P8CTT-951.
Rev C	See PDM	ECR6208, Adds four new labels for Cert. 2 and 3 for JTSSO Cert. 1
Rev D	See PDM	ECR007389, Make corrections to Fig 9, add generic labels and label field entry table (Table 2)
Rev E	See PDM	ECR007835, Add Software tear-off label, PN 9000299-013, to include updating Table 1.
Rev F	22-Sep-04	ECR007990, Update table 2 to remove JTSSO. Add -033, -034, -035.
Rev G	12-Oct-04	ECR008076, Add Fig. 12 for -014, add 1.5 requirement, Revise header to ACSS format.
Rev H	28-Oct-04	ECR008111, Changed W/Dev lines on -014. Added -015.
Rev J	10-Nov-04	ECR008150, added -016, -036, -037, -038. Updated Table 1 format. Updated Fig. 13 to add line 3.
Rev K	16-Jan-06	ECR009161. added -017, -018, -019, -020. Updated Tables 1 and 2.

## End of Document