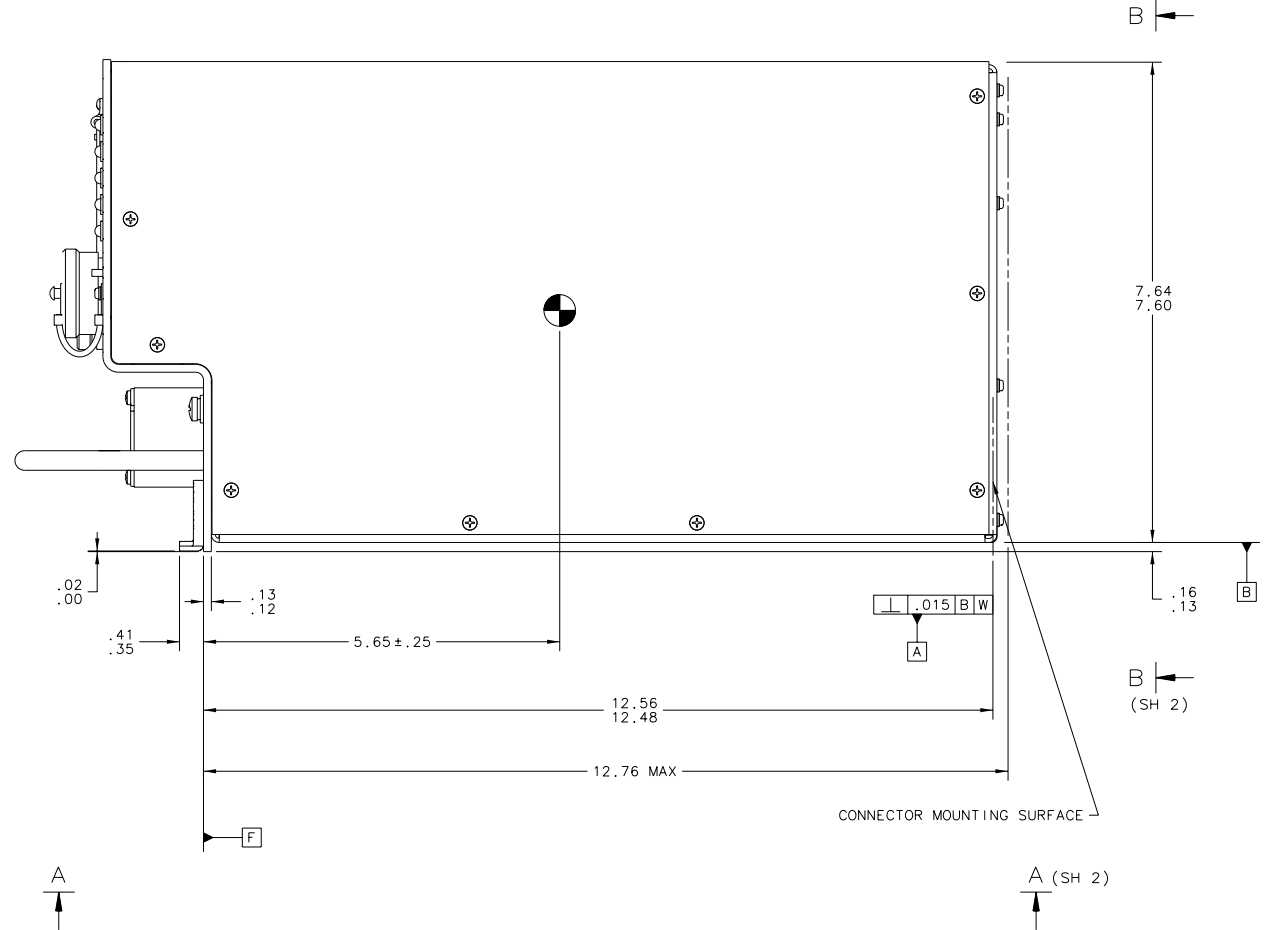
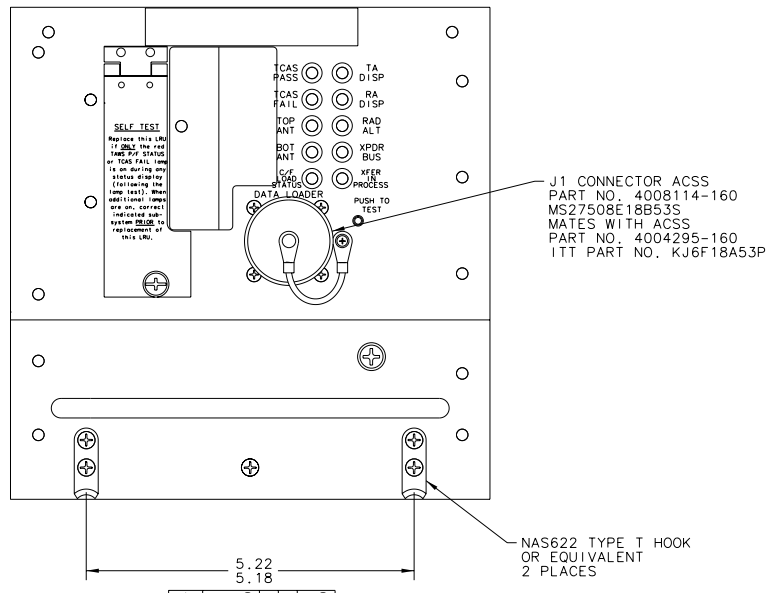
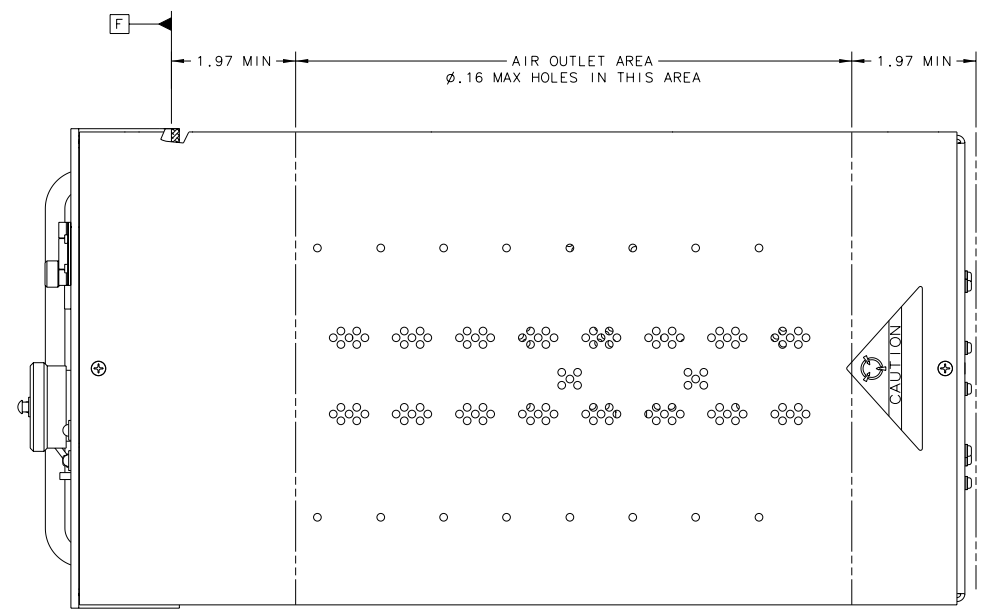


PROPRIETARY NOTICE
THIS DOCUMENT AND THE INFORMATION DISCLOSED HEREIN ARE PROPRIETARY DATA OF ACSS, LLC. NEITHER THIS DOCUMENT NOR THE INFORMATION CONTAINED HEREIN SHALL BE REPRODUCED, USED, OR DISCLOSED TO OTHERS WITHOUT THE WRITTEN AUTHORIZATION OF ACSS, LLC

NOTICE
FREEDOM OF INFORMATION ACT (5 USC 552) AND DISCLOSURE OF CONFIDENTIAL INFORMATION GENERALLY (18 USC 1905)
THIS DOCUMENT IS BEING FURNISHED IN CONFIDENCE BY ACSS, LLC. THE INFORMATION DISCLOSED HEREIN FALLS WITHIN EXEMPTION (b) (4) OF 5 USC 552 AND THE PROHIBITIONS OF 18 USC 1905.

REVISIONS	
CRNO.	DESCRIPTION
007899	INITIAL RELEASE 09-16-04
008393	SEE DESCRIPTION PER CHANGE REQUEST 05-08-05



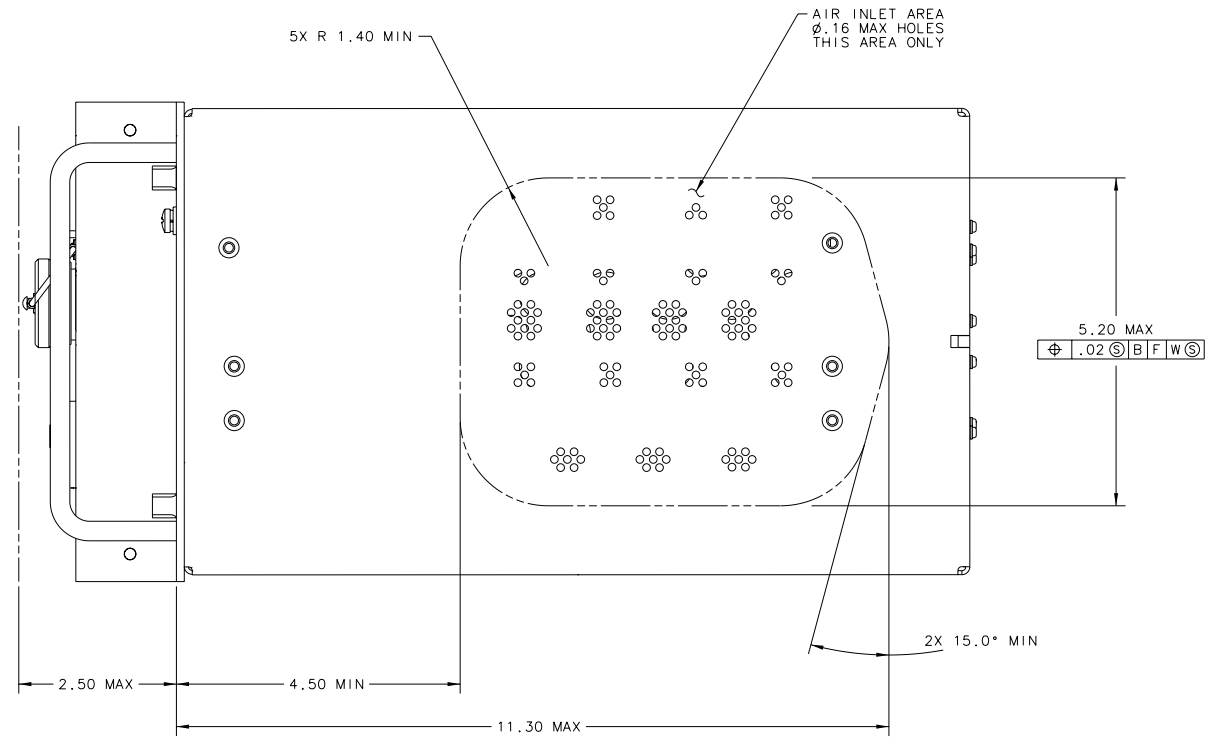
- NOTES:
- UNIT WEIGHT:
UNIT PART NUMBER 9003000-10001 (AC/DC UNIT)
NOMINAL 15.61 POUNDS/MAXIMUM 16.08 POUNDS (7.08/7.29 KILOGRAMS).
 - ☉ DENOTES APPROXIMATE CENTER OF GRAVITY.
 - 3 DARKENED PORTION INDICATES SOLID PART OF POLARIZING KEYWAY.
 - THE INSTALLATION IS IN ACCORDANCE WITH ARINC 600 6 MCU.
 - 5 DIMENSIONS ARE IN INCHES. SEE METRIC CONVERSION TABLE FOR CORRESPONDING DIMENSIONS IN MILLIMETERS.
 - THE UNIT MAY ACCEPT EITHER BLOW-THRU COOLING PER ARINC 600 OR DRAW-THRU COOLING PER ARINC 404. THE NORMAL OPERATION COOLING AIRFLOW REQUIREMENT PER ARINC 600 IS 485 POUNDS PER HOUR PER KILOWATTS (220 KILOGRAMS/HOUR-KILOWATTS). AT EITHER OF THE AIRFLOW RATES, THE PRESSURE DROP THROUGH THE UNIT IS .20±.12 INCHES OF WATER (5±3 MILLIMETERS OF WATER).
 - UNIT FINISH: CHEM FILM TREATED OVER BARE ALUMINUM.
 - 8 .10 MAX REAR PANEL THICKNESS IS REQUIRED IN CONNECTOR MOUNTING AREA DEFINED AS ZONE A. NO OTHER PROJECTIONS EXCEPT CONNECTOR MOUNTING HARDWARE ARE PERMITTED IN AREA DEFINED AS ZONE A.
 - INFORMATION CONTAINED IN THIS DRAWING IS INTENDED FOR INSTALLATION USE ONLY. IT IS NOT TO BE USED FOR DESIGN OR MANUFACTURING PURPOSES.
 - THIS DRAWING DEFINES END ITEM UNIT 9003001-10XXX
XXX = SOFTWARE CONFIGURATION FROM 001 THRU 999, AS DEFINED IN THE END ITEM DRAWING.
 - TYPICAL POWER DISSIPATION IS 85 WATTS
 - 12 THE DIMENSION SHOWN IS TO THE CONNECTOR BOSS AND NOT THE REAR PANEL OPENING.

UNLESS OTHERWISE SPECIFIED, DIMENSIONS ARE IN INCHES; TOLERANCES: ANGLES ± - 2 PL DEC ± - 3 PL DEC ± -		THIRD ANGLE PROJECTION	OPERATIONAL NOTE
INTERPRET DIMENSIONS AND TOLERANCES PER AMSE Y14.5M-1994		FOR REFERENCE	 Aviation Communication & Surveillance Systems 18010 North 7th Avenue Phoenix, Arizona 85027-4400
ORIGINAL C.R.			
PRODUCT LINE NO.		REF. DWG	REF. SPEC
AW/PS ANALYSIS EB		TITLE OUTLINE AND INSTALLATION OF - TCAS 3000 6MCU (AC/DC)	
9003000-10001	9003000-10001	SIZE/CAGE CODE E11WYD3	
NEXT ASSY	END ITEM	DRAWING NO. 9003001-003	
APPLICATION		SCALE 1/1	SHEET 1 OF 2

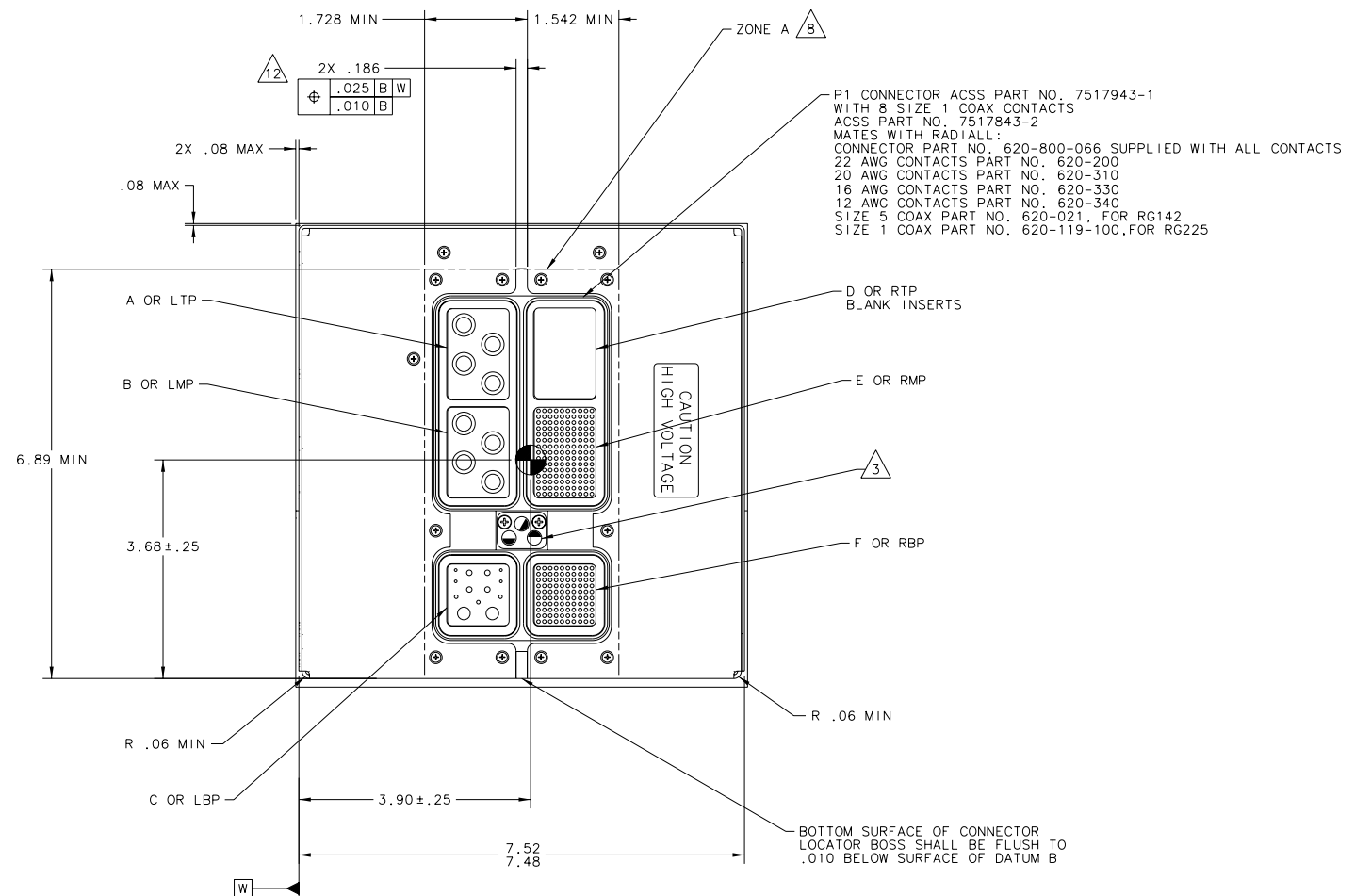
CONVERSION TABLE	
INCHES	MILLIMETERS
.010	0.25
.015	0.38
.02	0.51
.025	0.64
.04	1.02
.06	1.52
.08	2.03
.10	2.54
.12	3.05
.13	3.30
.16	4.06
.186	4.72
.25	6.35
.35	8.89
.41	10.41
1.40	35.56
1.542	39.17
1.728	43.89
1.97	50.04
2.50	63.50
3.68	93.47
3.90	99.06
4.50	114.30
5.18	131.57
5.20	132.08
5.22	132.59
5.65	143.51
6.89	175.01
7.48	189.99
7.52	191.01
7.60	193.04
7.64	194.06
11.30	287.02
12.48	316.99
12.56	319.02
12.76	324.10

REVISIONS	
CRNO.	REV
008393	A

DESCRIPTION: SEE DESCRIPTION PER CHANGE REQUEST
 DATE: 05-08-05



VIEW A-A



VIEW B-B

ACSS
 SEE FIRST SHEET FOR CONTRACT NUMBER, SIZE OR DISCLOSURE OF INFORMATION ON THIS SHEET IS SUBJECT TO THE RESTRICTIONS ON THE FIRST SHEET OF THIS DOCUMENT.
 SCALE: 1/1
 DRAWING NO.: 9003001-003
 SHEET 2

9003001-003
 SHEET 2