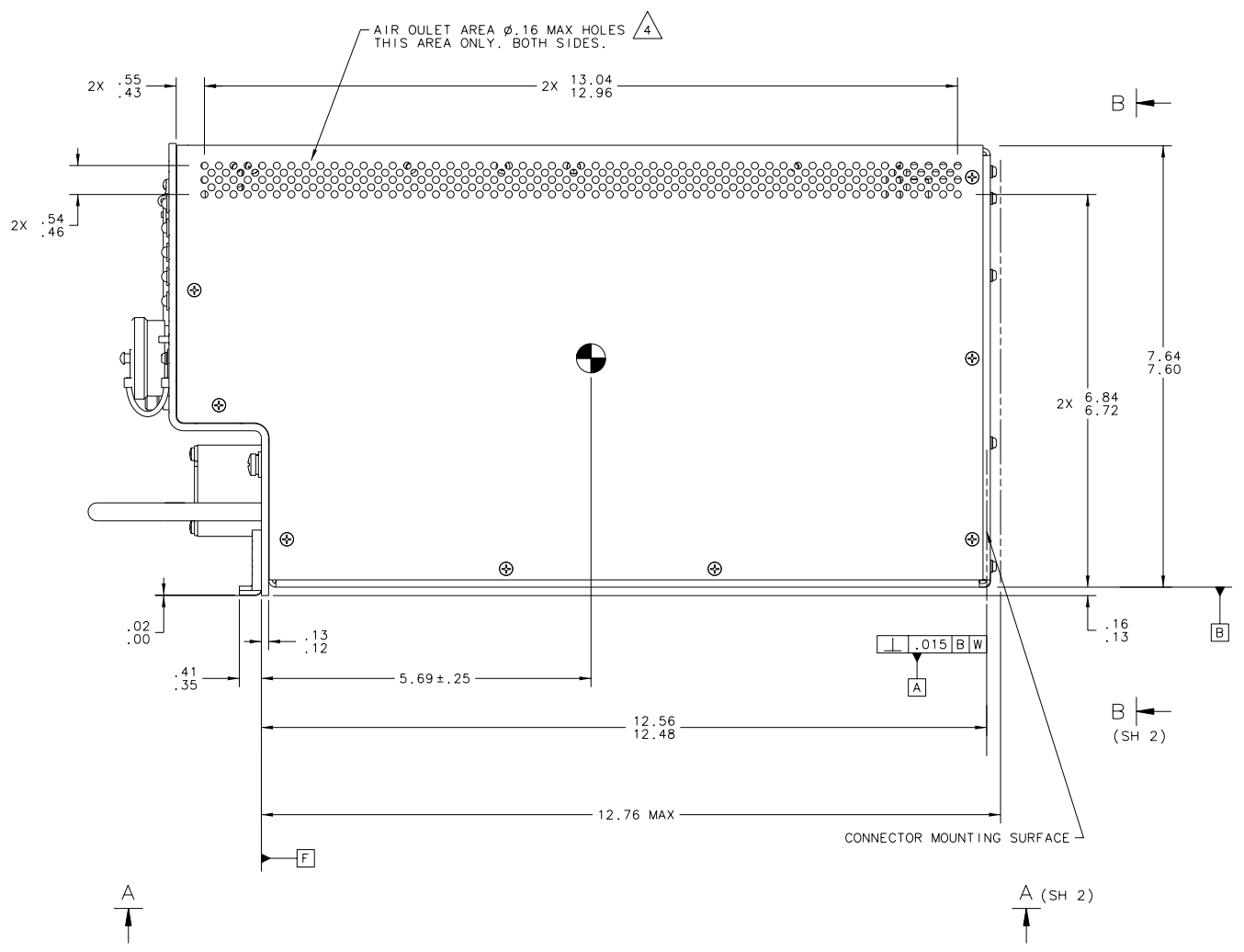
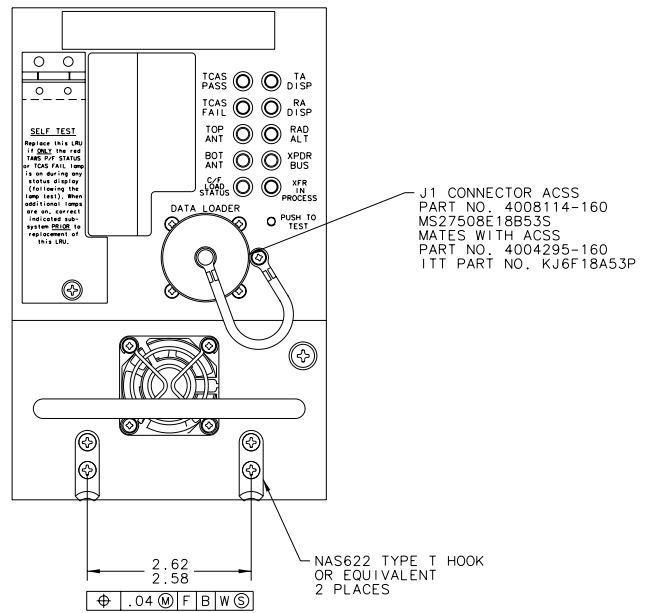
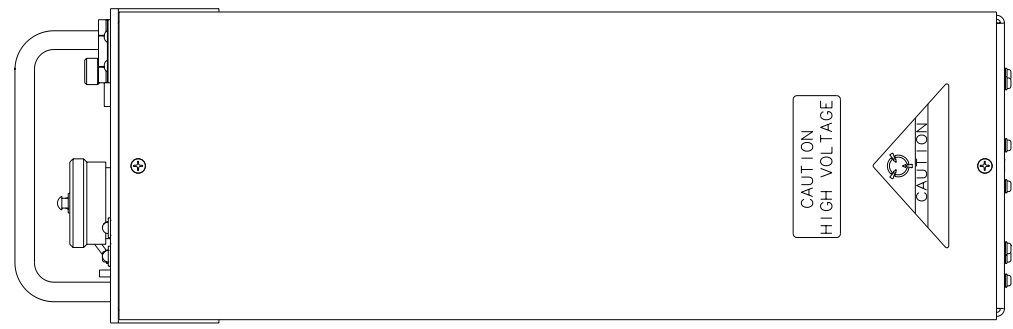


**8** PROPRIETARY NOTICE  
THIS DOCUMENT AND THE INFORMATION DISCLOSED HEREIN ARE PROPRIETARY DATA OF ACSS, LLC. NEITHER THIS DOCUMENT NOR THE INFORMATION CONTAINED HEREIN SHALL BE REPRODUCED, USED, OR DISCLOSED TO OTHERS WITHOUT THE WRITTEN AUTHORIZATION OF ACSS, LLC.

**7** NOTICE  
FREEDOM OF INFORMATION ACT (5 USC 552) AND DISCLOSURE OF CONFIDENTIAL INFORMATION GENERALLY (18 USC 1905)  
THIS DOCUMENT IS BEING FURNISHED IN CONFIDENCE BY ACSS, LLC. THE INFORMATION DISCLOSED HEREIN FALLS WITHIN EXEMPTION (b) (4) OF 5 USC 552 AND THE PROHIBITIONS OF 18 USC 1905.

REVISIONS	
CRNO.	DESCRIPTION
007899	INITIAL RELEASE 09-16-04
008393	SEE DESCRIPTION PER CHANGE REQUEST 05-08-05

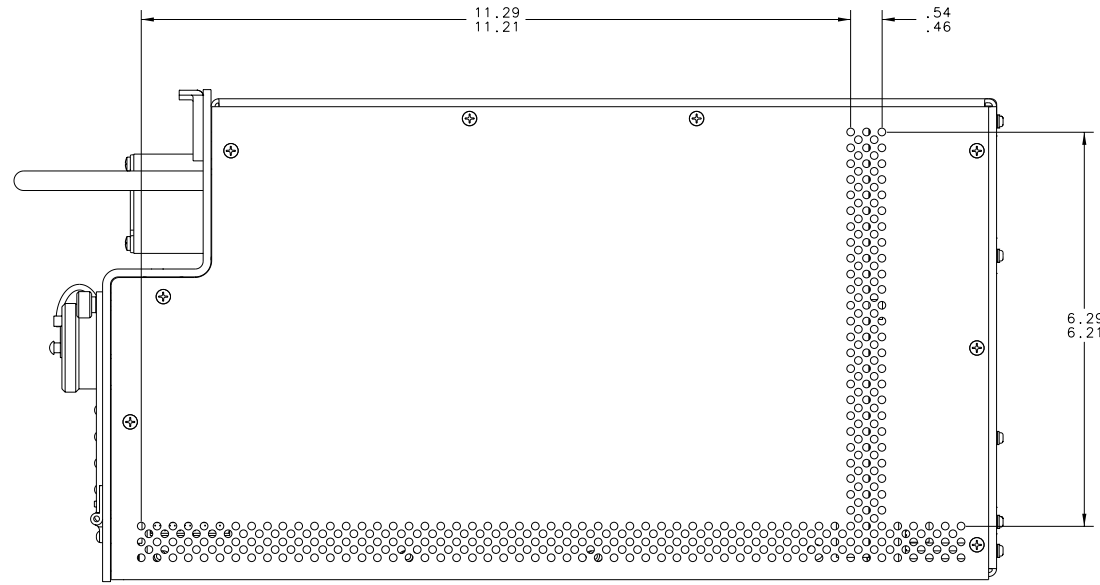


- NOTES:
- UNIT WEIGHT:  
UNIT PART NUMBER 9003000-55001 (28 VOLT DC UNIT)  
NOMINAL 13.47 POUNDS/MAXIMUM 13.87 POUNDS (6.11/6.29 KILOGRAMS).
  - DENOTES APPROXIMATE CENTER OF GRAVITY.
  - DARKENED PORTION INDICATES SOLID PART OF POLARIZING KEYWAY.
  - THE INSTALLATION IS IN ACCORDANCE WITH ARINC 600 4 MCU EXCEPT LOCATION OF AIR OULET HOLES AND HANDLE PROTRUSION.
  - DIMENSIONS ARE IN INCHES. SEE METRIC CONVERSION TABLE FOR CORRESPONDING DIMENSIONS IN MILLIMETERS.
  - THE UNIT IS SUPPLIED WITH A FAN. TO INSURE ADEQUATE COOLING PROVIDE .50 MINIMUM SPACING TO UNITS ON EITHER SIDE.
  - UNIT FINISH: CHEM FILM TREATED OVER BARE ALUMINUM.
  - .10 MAX REAR PANEL THICKNESS IS REQUIRED IN CONNECTOR MOUNTING AREA DEFINED AS ZONE A. NO OTHER PROJECTIONS EXCEPT CONNECTOR MOUNTING HARDWARE ARE PERMITTED IN AREA DEFINED AS ZONE A.
  - INFORMATION CONTAINED IN THIS DRAWING IS INTENDED FOR INSTALLATION USE ONLY. IT IS NOT TO BE USED FOR DESIGN OR MANUFACTURING PURPOSES.
  - THIS DRAWING DEFINES END ITEM UNIT 9003000-55XXX  
XXX - SOFTWARE CONFIGURATION FROM 001 THRU 999, AS DEFINED IN THE END ITEM DRAWING.
  - TYPICAL POWER DISSIPATION IS 85 WATTS.
  - THE DIMENSION SHOWN IS TO THE CONNECTOR BOSS AND NOT THE REAR PANEL OPENING.

UNLESS OTHERWISE SPECIFIED, DIMENSIONS ARE IN INCHES: TOLERANCES: ANGLES ± - 2 PL DEC ± - 3 PL DEC ± -		THIRD ANGLE PROJECTION	OPERATIONAL NOTE
INTERPRET DIMENSIONS AND TOLERANCES PER AMSE Y14.5M-1994			Aviation Communication & Surveillance Systems 18010 North 7th Avenue Phoenix, Arizona 85027-4400 <b>TITLE</b> OUTLINE AND INSTALLATION OF - TCAS 3000 4MCU (DC)
FOR REFERENCE		<b>ORIGINAL C.R.</b> <b>PRODUCT LINE NO.</b> <b>AW/PS ANALYSIS EB</b>	
REF. DWG. REF. SPEC.		<b>SIZE/CAGE CODE</b> <b>DRAWING NO.</b>	
NEXT ASSY. END ITEM		<b>SCALE</b> 1/1 <b>SHEET</b> 1 OF 2	
9003000-55001	9003000-55001		<b>REV</b> <b>APPLICATION</b>

CONVERSION TABLE	
INCHES	MILLIMETERS
.010	.254
.015	.381
.02	.51
.025	.635
.04	1.02
.06	1.52
.08	2.03
.10	2.54
.12	3.05
.13	3.30
.16	4.06
.186	4.72
.25	6.35
.35	8.89
.41	10.41
.43	10.92
.46	11.68
.50	12.70
.54	13.72
.55	13.97
1.542	39.17
1.728	43.89
2.58	65.53
2.60	66.04
2.62	66.55
3.03	76.96
3.95	100.33
4.86	123.44
4.90	124.46
5.69	144.53
6.21	157.73
6.29	159.77
6.72	170.69
6.84	173.74
6.89	175.01
7.60	193.04
7.64	194.06
11.21	284.73
11.29	286.77
12.48	316.99
12.56	319.02
12.76	324.10
12.96	329.18
13.04	331.22

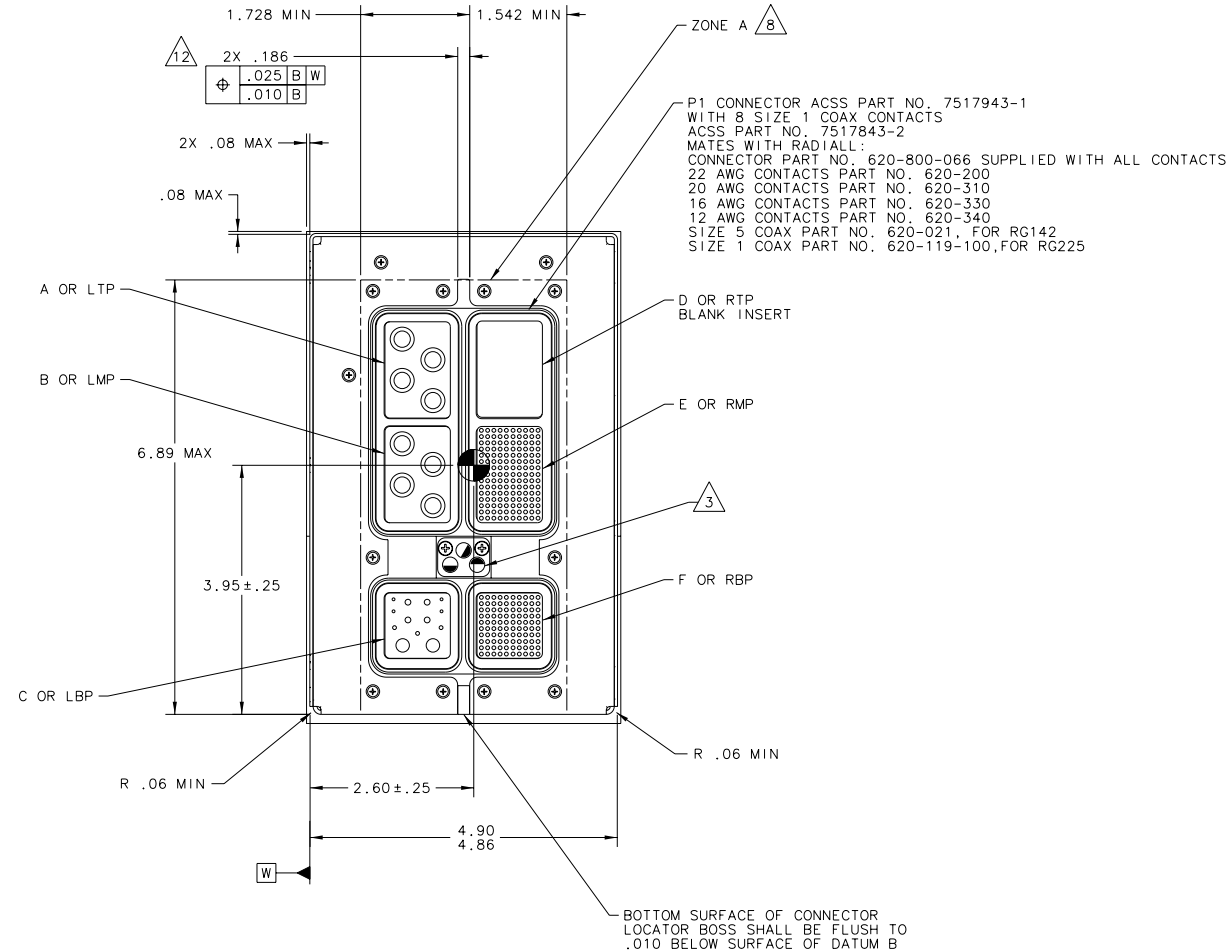
REVISIONS			
CRNO.	REV	DESCRIPTION	DATE
008393	A	SEE DESCRIPTION PER CHANGE REQUEST	05-08-05



VIEW C-C



VIEW A-A



VIEW B-B