


PROPRIETARY NOTICE
 THIS DOCUMENT AND THE INFORMATION DISCLOSED HEREIN ARE PROPRIETARY DATA OF ACSS, LLC. NEITHER THIS DOCUMENT NOR THE INFORMATION CONTAINED HEREIN SHALL BE REPRODUCED, USED, OR DISCLOSED TO OTHERS WITHOUT THE WRITTEN AUTHORIZATION OF ACSS, LLC

NOTICE
 FREEDOM OF INFORMATION ACT (5 USC 552) AND DISCLOSURE OF CONFIDENTIAL INFORMATION GENERALLY (18 USC 1905)
 THIS DOCUMENT IS BEING FURNISHED IN CONFIDENCE BY ACSS, LLC. THE INFORMATION DISCLOSED HEREIN FALLS WITHIN EXEMPTION (b) (4) OF 5 USC 552 AND THE PROHIBITIONS OF 18 USC 1905.

REVISIONS		
CRNO.	REV	DESCRIPTION
008005	-	INITIAL RELEASE 10-27-04
008418	A	EFFECTS PL ONLY. 02-18-05
008490	B	DWG & PL AFFECTED. CHGD NOTES 9, 17, AND 18 03-30-05

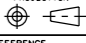

NOTES:

1. ASSEMBLE AND SOLDER PER ITEM 701, EXCEPT:
 - A. SOLDER PASTE USED ON SIDE B MUST BE SN62PB36AG2.
 - B. SOLDER USED FOR TOUCH-UP AND REPAIR ON SIDE B MAY BE SN63PB37 EXCEPT FOR FL1 THRU FL5 AND Y1 WHICH REQUIRE SN62PB36AG2.
2.  THIS ASSEMBLY INCLUDES COMPONENTS WHICH ARE SUBJECT TO DAMAGE BY ELECTROSTATIC CHARGES; THEREFORE, ALL COMPONENTS SHALL BE HANDLED IN ACCORDANCE WITH GUIDELINES FOR ELECTROSTATIC DISCHARGE CONTROL.
3. MAXIMUM COMPONENT HEIGHT:
 - SIDE A: CONDUCTIVE .225, NONCONDUCTIVE OR GROUNDED CASE .275, EXCEPT Y301 SHALL BE .295 MAX HIGH.
 - SIDE B: CONDUCTIVE .315, NONCONDUCTIVE OR GROUNDED CONDUCTIVE CASE .365.
4. COMPONENT LEAD PROTRUSION SHALL BE .090 MAXIMUM ON BOTH SIDES, EXCEPT LEAD PROTRUSION ON J1 SHALL BE .030 MAXIMUM ON SIDE A, BARE COPPER IS PERMISSIBLE ON TRIMMED SURFACES.
5. USE ITEM 703 TO FORM W1 & W2. PRE-CUT LENGTH OF W1 & W2 SHALL BE .200 ± .025. ATTACH FROM FL5 TO PWB AS SHOWN USING SN62PB36AG2.
6. MOUNT FL5 AS FOLLOWS: ALIGN FRONT EDGE OF FL5 FLUSH TO WITHIN .015 OF PWB PAD EDGE AS SHOWN. SIMULTANEOUSLY CENTER PADS ON FL5 WITH ASSOCIATED PADS ON PWB.
7. J2 THRU J9 MUST BE FLUSH TO WITHIN .005 OF SIDE B OF THE PWB. J10 AND J11 BASE SHALL BE FLUSH TO WITHIN .005 OF ITEM 5. ITEM 5 SHALL BE FLUSH TO WITHIN .005 OF PWB (ITEM 1) ON SIDE B.
8. SMOOTH CONTACT AT THE INTERFACE OF SIDE B OF THE PWB (ITEM 1) AND THE HOUSING (ITEM 2) IS CRITICAL. THEREFORE, SIDE B OF THE PWB SHALL HAVE NO SOLDER PROTRUSIONS OR LUMPS GREATER THAN .005 IN HEIGHT ABOVE THE NORMAL PLATED SURFACE.
9. SHADED COMPONENTS ARE NOT INSTALLED DURING MANUFACTURE. THEY MAY BE INSTALLED DURING ALIGNMENT AS NEEDED.
10. MOUNT FRONT AND SIDE EDGES OF Y1 FLUSH TO WITHIN .015 OF PWB PAD EDGE AS SHOWN. REFER TO 7019543 FOR SOLDERING INFORMATION.
11. J1 MUST BE FLUSH TO WITHIN .005 OF PWB (ITEM 1).
12. REMOVE J1 PIN 51 AND ORIENT J1 CENTER POLARITY AS SHOWN.
13. RESISTORS R661, R662, R666, AND R693 ARE SPACERS FOR Y301 AND MAY MAKE CONTACT WITH THE METAL CAN.
14. ORIENT ALL 7022905 CAPACITORS VERTICALLY, WITH SMALL SURFACE DOWN AS SHOWN IN SECTION G-G.
15. APPLY CONFORMAL COAT PER ITEM 702 TO SIDE A OF CCA EXCEPT CROSSHATCHED AREAS SHOWN.
16. TORQUE ITEM 4 TO 7 IN-LBS ±0.5 IN-LBS.
17. R130 AND C186 HAVE SWAPPED POSITIONS. C411 AND R425 HAVE SWAPPED POSITIONS. C472 AND R429 HAVE SWAPPED POSITIONS. C574 AND R616 HAVE SWAPPED POSITIONS.
18. IT IS PERMISSIBLE TO DEPOPULATE ANY OF THE FOLLOWING REFERENCE DESIGNATORS TO OPTIMIZE PERFORMANCE DURING ALIGNMENT:

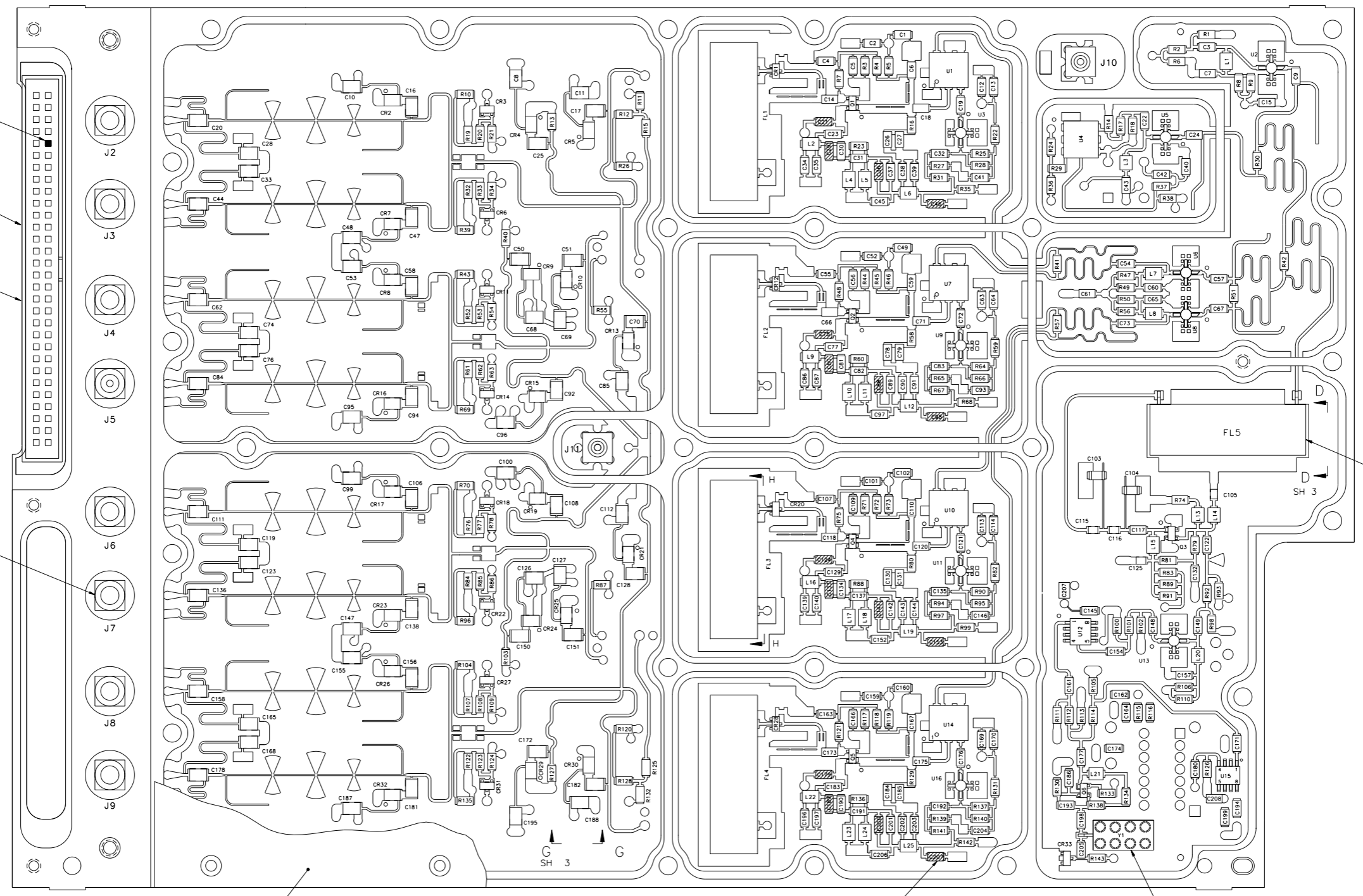
C23	C129	C310	C403	C505	C589	R23	R315	R538
C45	C152	C329	C416	C507	C601	R60	R316	R540
C77	C183	C332	C419	C525	C614	R88	R412	R641
C97	C206	C365	C459	C543	C635	R136	R419	R642
19. INSTALL COMPONENTS PER TABLE I, LEFT OR RIGHT, TOP OR BOTTOM AS VIEWED FROM INDICATED SIDE.

COMPONENT		TO	PWB	SLVG
REF	PIN	CIRCUIT POINT	SIDE	ITEM NO.
C660	1	U333-13 (VIA)	A	
	2	U333-14 (LAND)		

REVISION STATUS OF PARTS LIST SHALL BE THE SAME AS THE BASIC DRAWING NUMBER. SEE SEPARATE PARTS LIST.

UNLESS OTHERWISE SPECIFIED, DIMENSIONS ARE IN INCHES: TOLERANCES: ANGLES ± 1° 2 PL DEC ± .020 3 PL DEC ± .005		THIRD ANGLE PROJECTION	OPERATIONAL NOTE
INTERPRET DIMENSIONS AND TOLERANCES PER ANSE Y14.5M-1994			 Aviation Communication & Surveillance Systems 18610 North 7th Avenue Phoenix, Arizona 85027-4400
FOR REFERENCE			
ORIGINAL C.R.		TITLE	
PRODUCT LINE NO.		CIRCUIT CARD ASSEMBLY-RCVR 1/0 A5	
AW/PS ANALYSIS EB		DRAWING NO. 7517945-905	
REF DWG	REF SPEC	SCALE NONE	REV B
9003000-55	9003000-55001		
NEXT ASSY	END ITEM		
APPLICATION			SHEET 1 OF 35

REVNO.		REV		DESCRIPTION		REV
008490	B			LIGHTENED UNINSTALLED SHADING.		03-30-05



F F
SH 3

J
SH 3

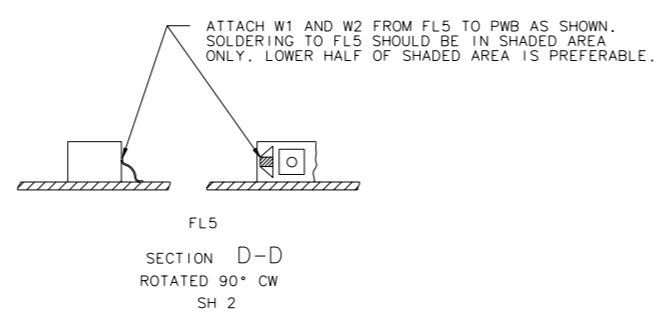
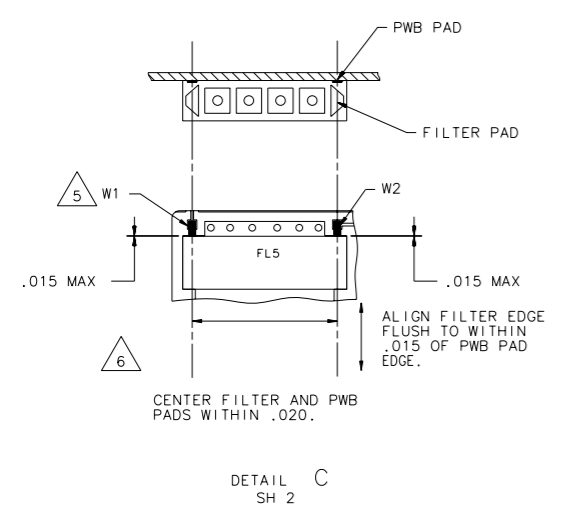
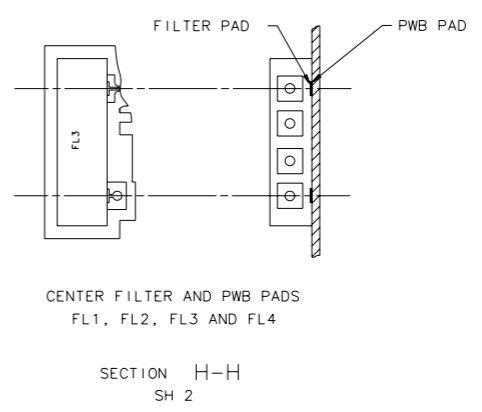
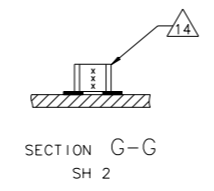
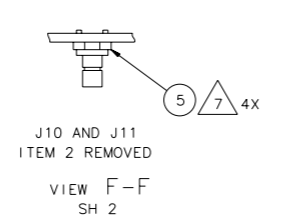
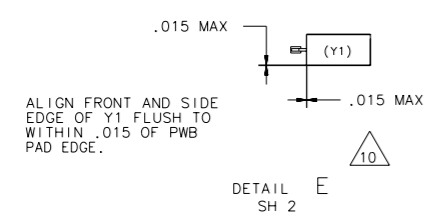
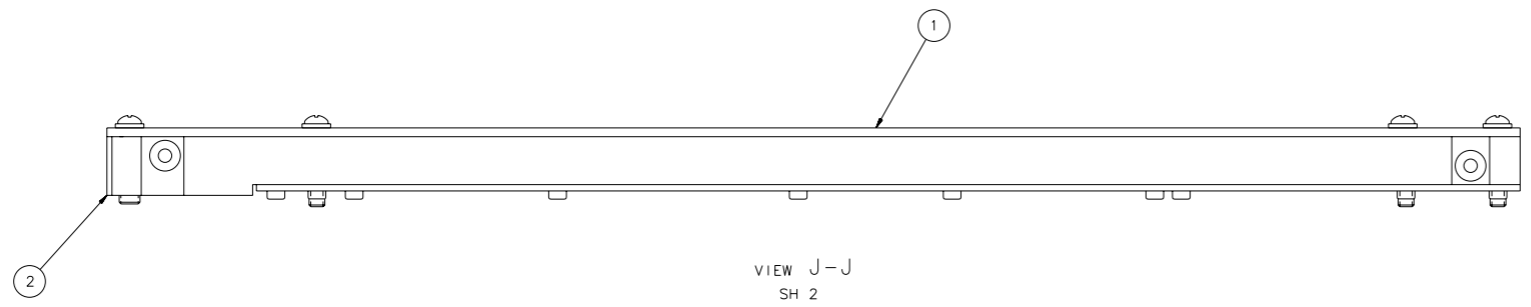
SEE DETAIL C
SH 3

SEE DETAIL E
SH 3

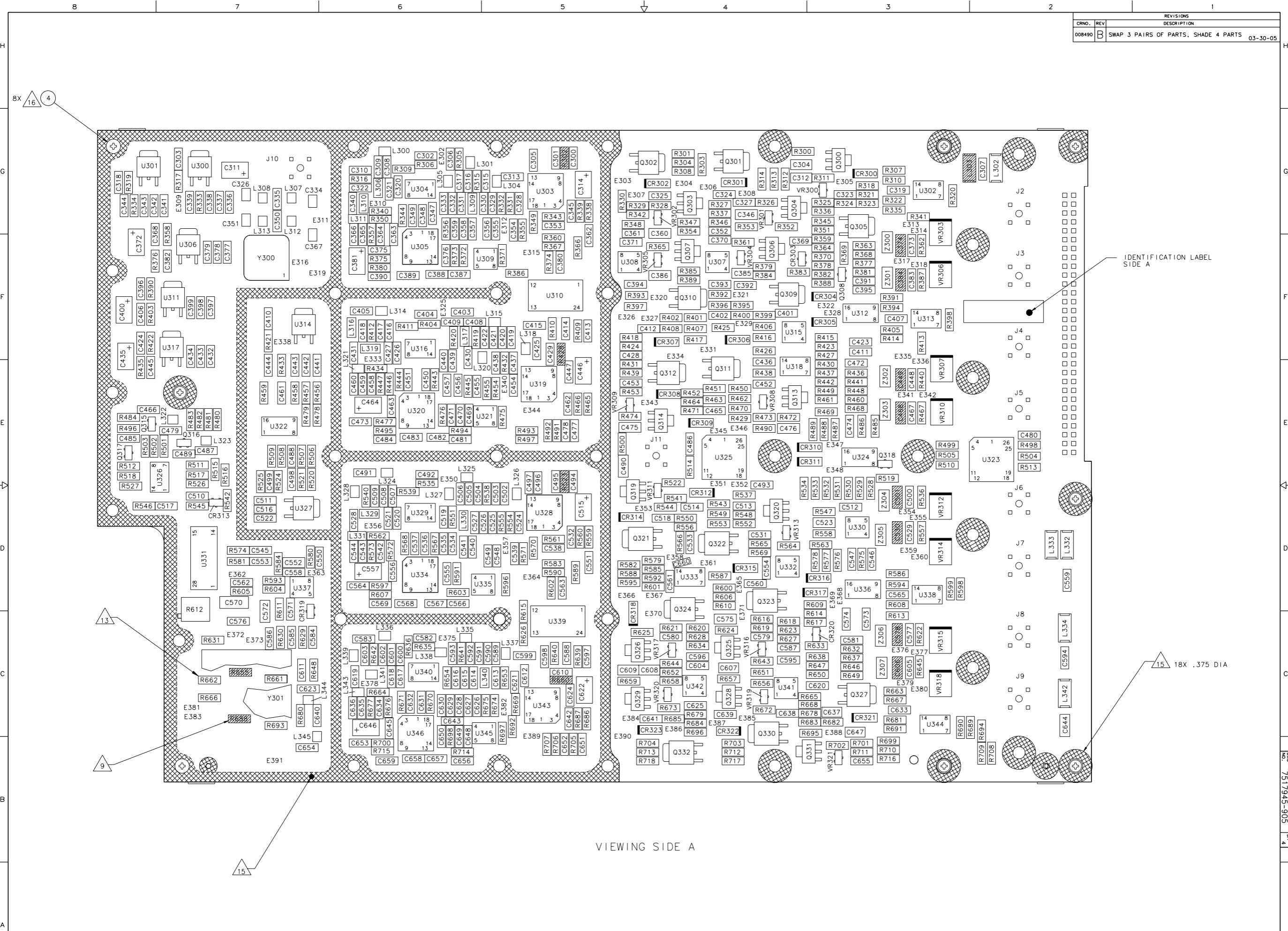
VIEWING SIDE B

	SEE FIRST SHEET FOR CONTRACT NUMBER. USE OR DISCLOSURE OF INFORMATION ON THIS SHEET IS SUBJECT TO THE RESTRICTIONS ON THE FIRST SHEET OF THIS DOCUMENT.	SIZE CAGE CODE E1WYD3	DRAWING NO. 7517945-905	REV B
	SCALE NONE		SHEET 2	

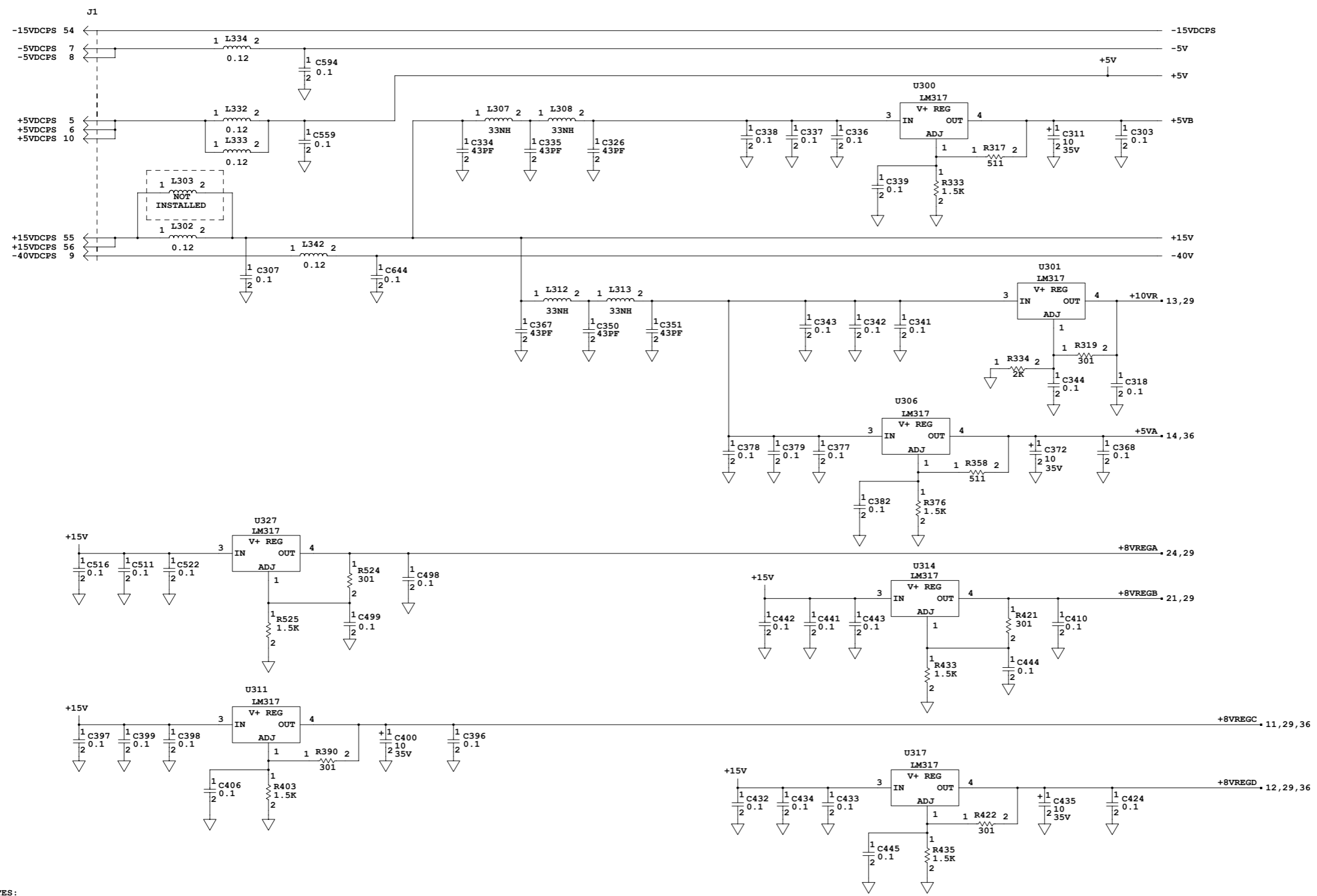
REVNO.		REV	DESCRIPTION



REVISED		DESCRIPTION	DATE
CRNO:	REV:		
008490	B	SWAP 3 PAIRS OF PARTS, SHADE 4 PARTS	03-30-05



VIEWING SIDE A

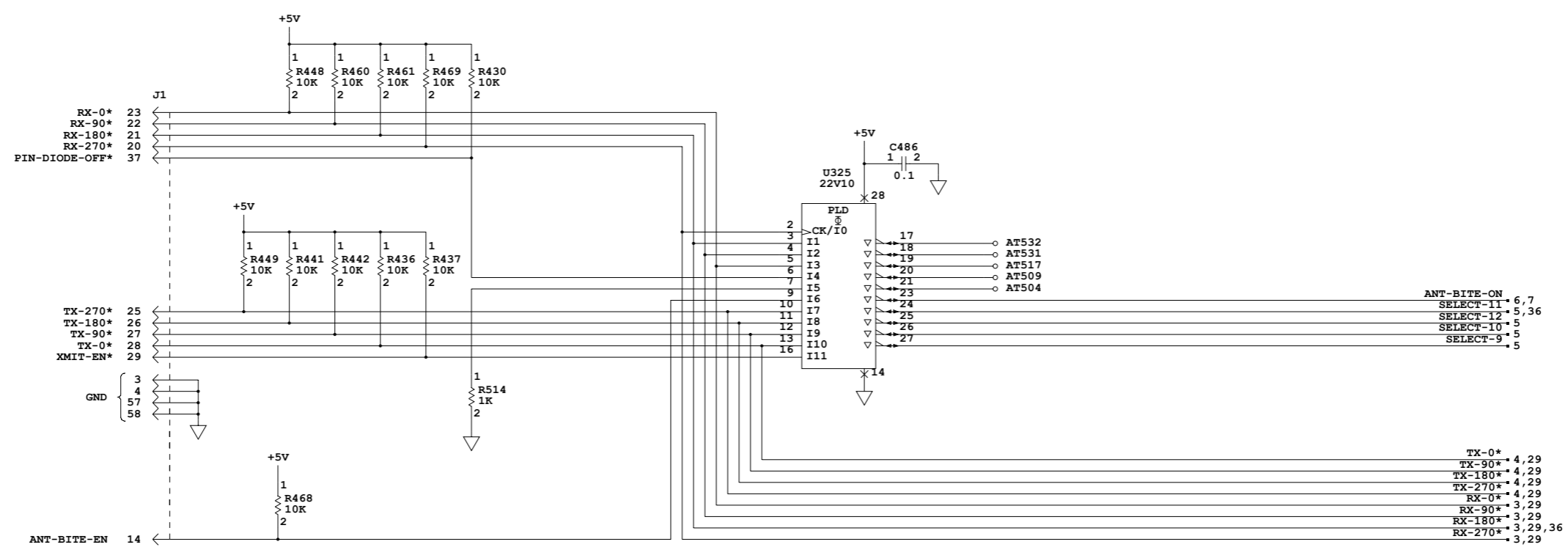


- NOTES:
 UNLESS OTHERWISE SPECIFIED:
 1. ALL CAPACITANCE VALUES ARE IN MICROFARADS.
 2. ALL RESISTANCE VALUES ARE IN OHMS.
 3. ALL INDUCTANCE VALUES ARE IN MICROHENRIES.
 4. PARTIAL REFERENCE DESIGNATIONS ARE SHOWN;
 FOR COMPLETE DESIGNATIONS PREFIX PART
 DESIGNATION WITH SUBASSEMBLY DESIGNATION.
 5. INTERPRET DRAWING PER ANSI Y32.2-1975 AND
 ANSI/IEEE STD 991-1986. LOGIC SYMBOLS
 CONFORM TO ANSI/IEEE STD 91-1984.
 6. FOR REFERENCE ONLY, COMPONENTS WHICH MAY
 BE TEST SELECT DURING ALIGNMENT ARE MARKED
 WITH THE WORD "SELECT".

INPUTS
 SCHEMATIC DIAGRAM SHEET NO. 1 OF 31

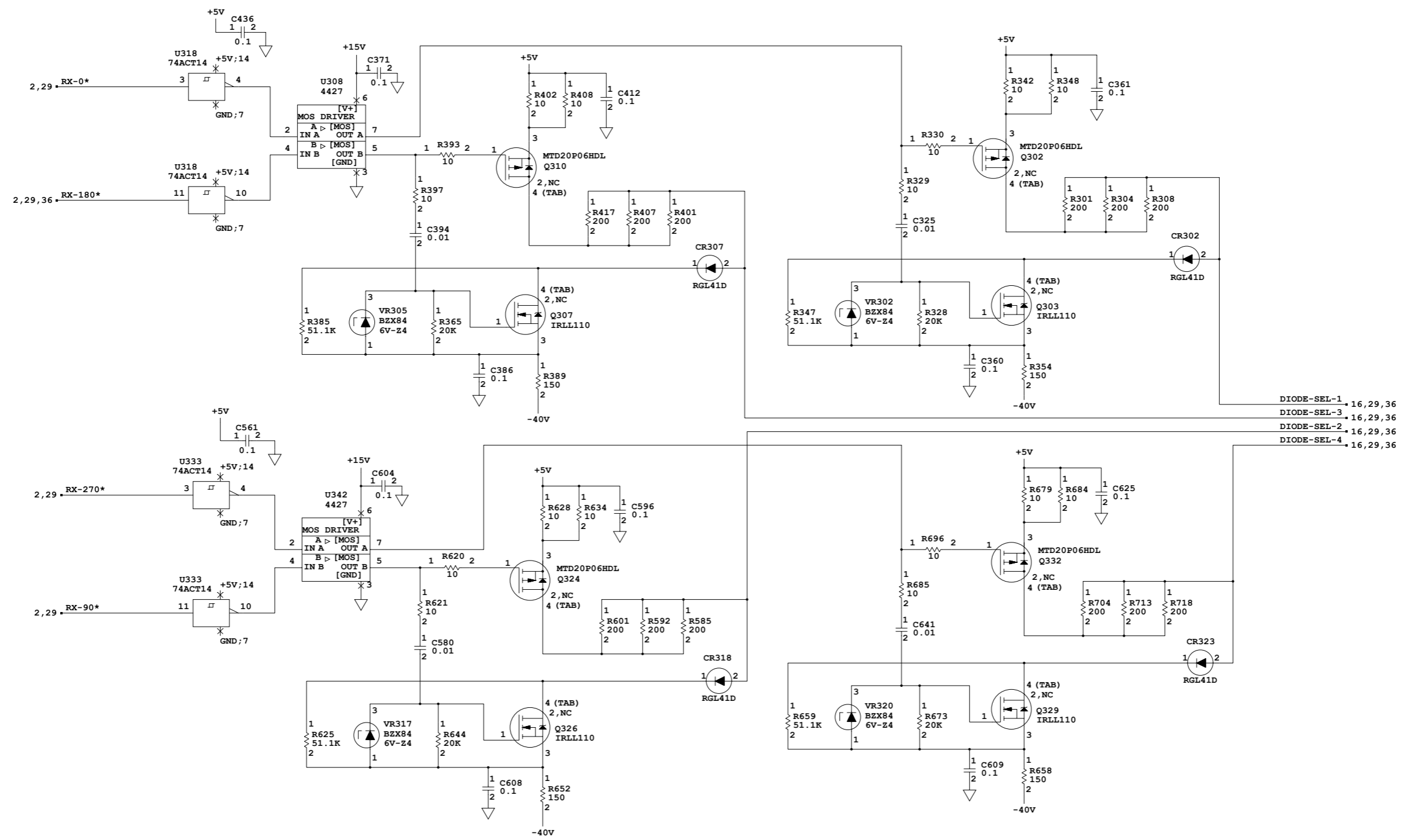
COMPUTER GENERATED

DRAWING NO. 7517945-905 SHEET 5



INPUTS
SCHEMATIC DIAGRAM SHEET NO. 2

COMPUTER GENERATED

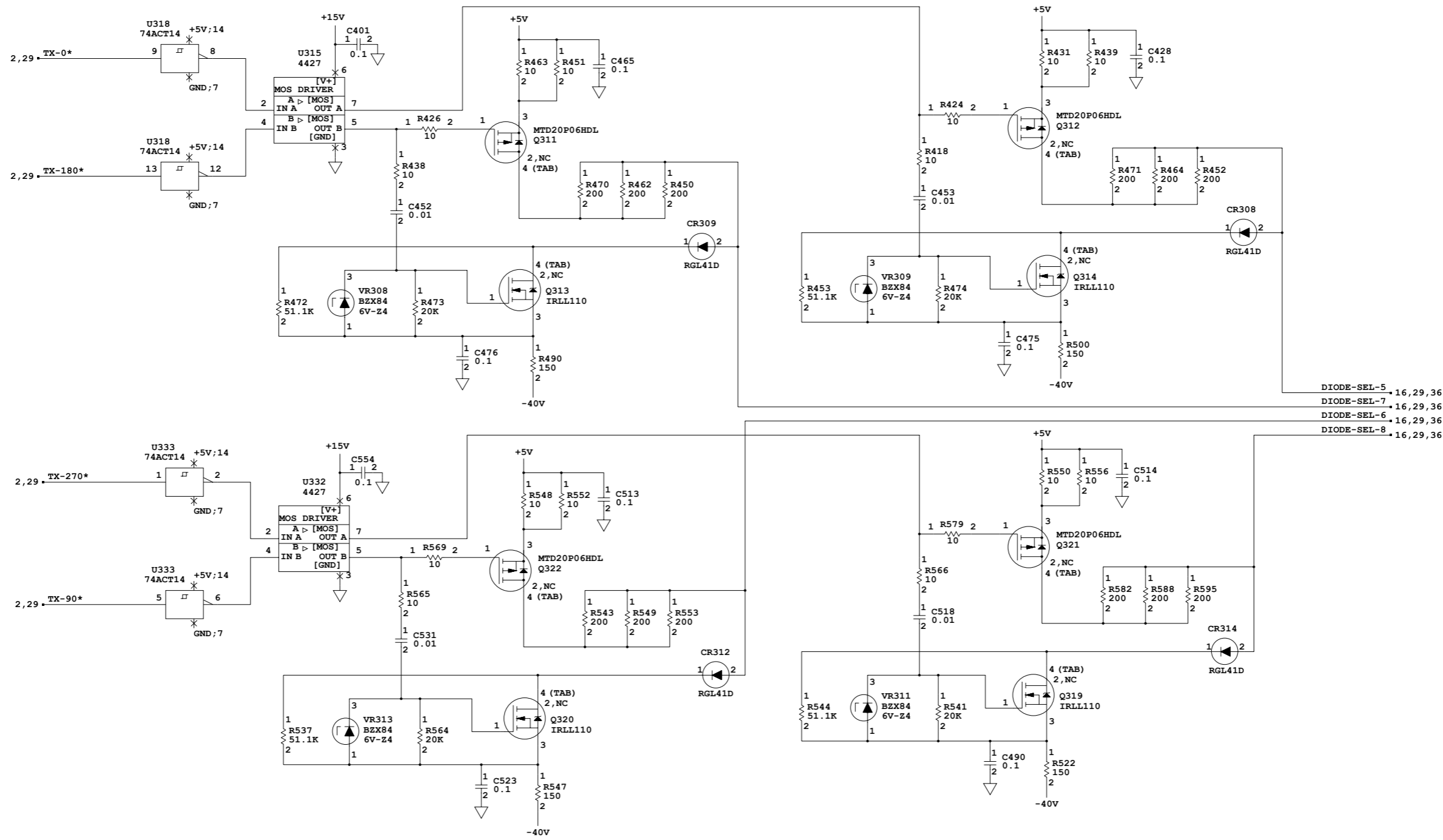


DIODE-SEL-1 16,29,36
 DIODE-SEL-3 16,29,36
 DIODE-SEL-2 16,29,36
 DIODE-SEL-4 16,29,36

I/O DRIVER
 SCHEMATIC DIAGRAM SHEET NO. 3

COMPUTER GENERATED

DRAWING NO. 7517945-905 SHEET 7



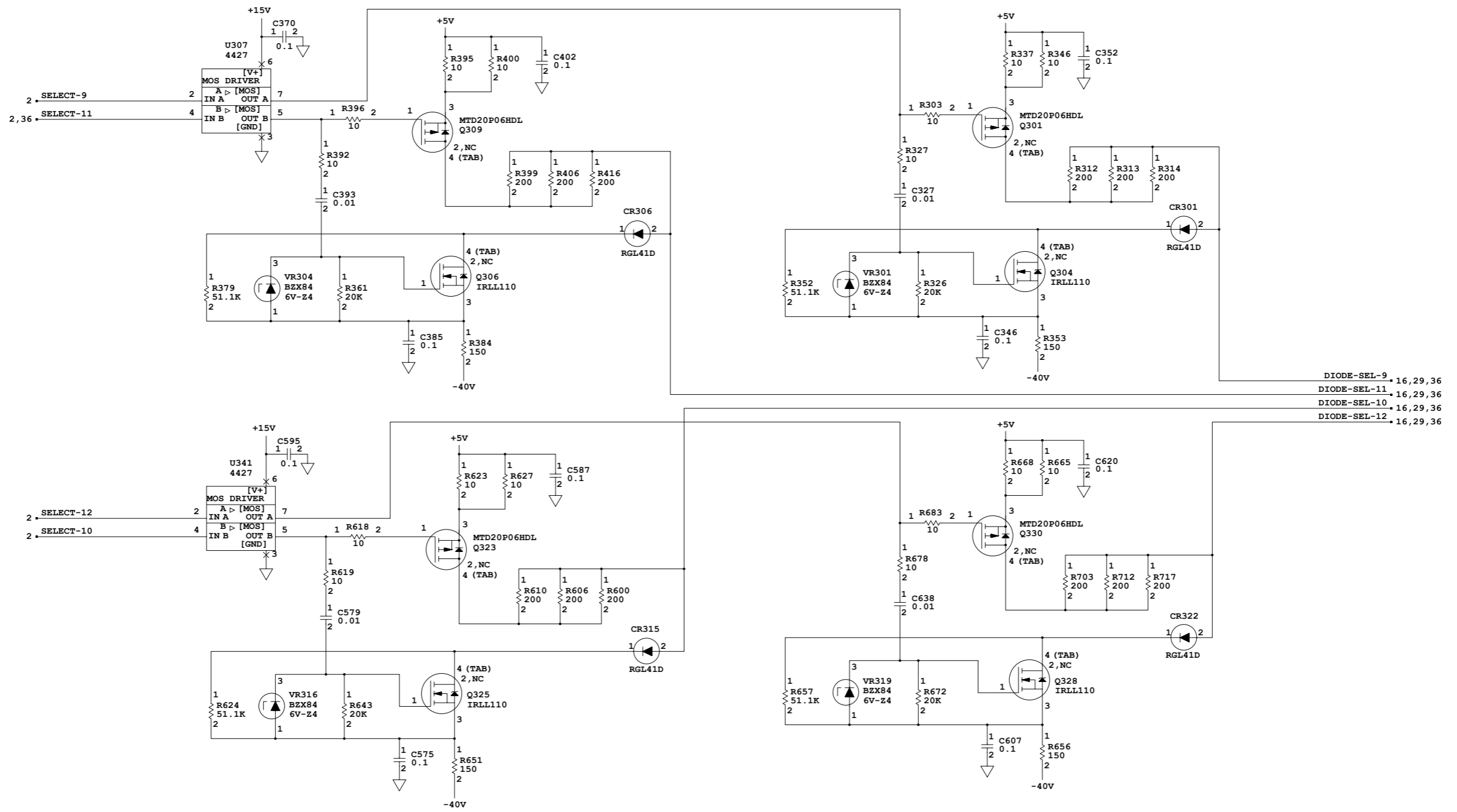
DIODE-SEL-5 16,29,36
 DIODE-SEL-7 16,29,36
 DIODE-SEL-6 16,29,36
 DIODE-SEL-8 16,29,36

I/O DRIVER
 SCHEMATIC DIAGRAM SHEET NO. 4

COMPUTER GENERATED

DRAWING NO. 7517945-905 SHEET 8

REV		DESCRIPTION



- DIODE-SEL-9 → 16, 29, 36
- DIODE-SEL-11 → 16, 29, 36
- DIODE-SEL-10 → 16, 29, 36
- DIODE-SEL-12 → 16, 29, 36

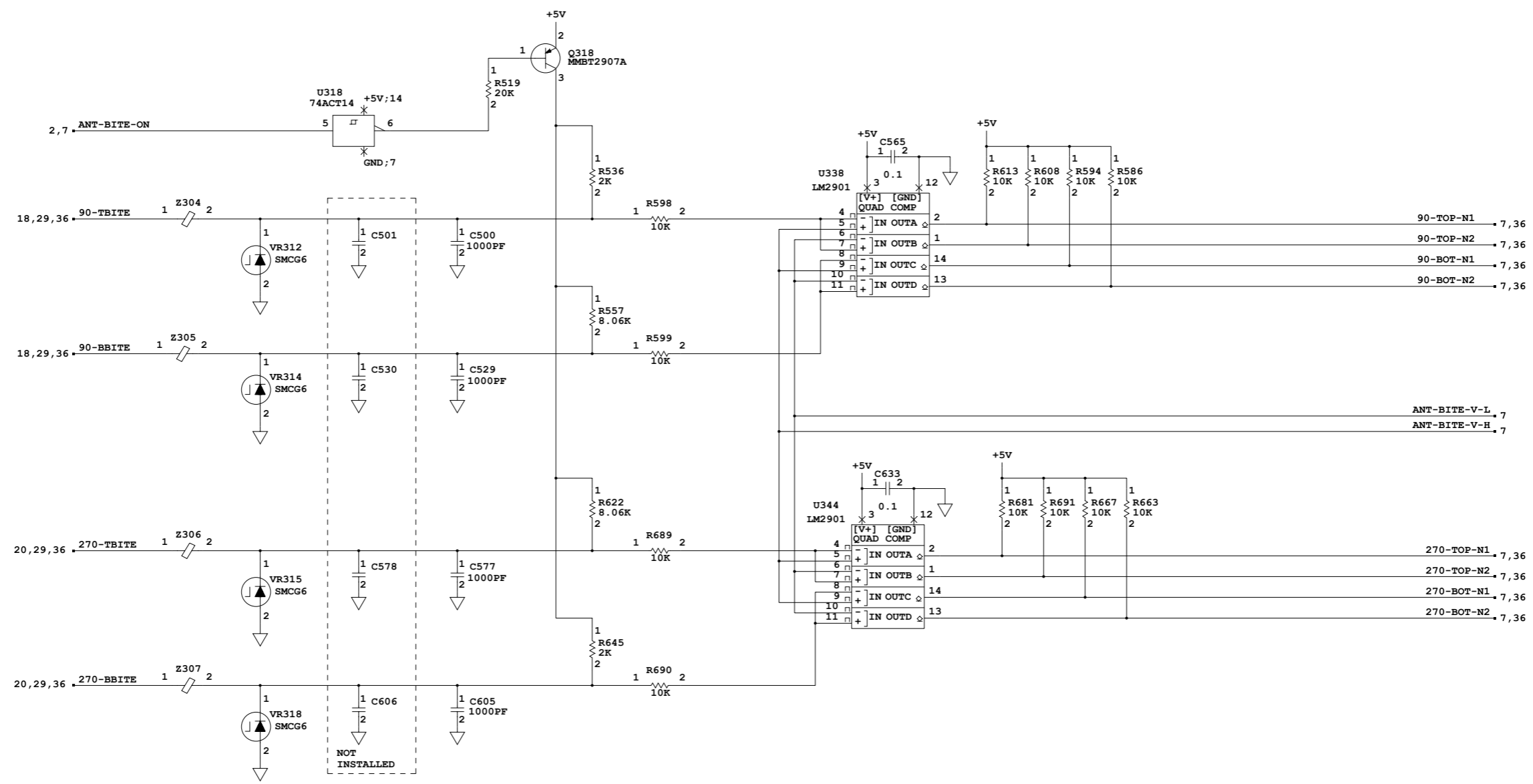
I/O DRIVER
SCHEMATIC DIAGRAM SHEET NO. 5

COMPUTER GENERATED

ACSS	SEE FIRST SHEET FOR CONTRACT NUMBER. USE OR DISCLOSURE OF INFORMATION ON THIS SHEET IS SUBJECT TO THE RESTRICTIONS ON THE FIRST SHEET OF THIS DOCUMENT.	SIZE E	CAGE CODE 1WYD3	DRAWING NO. 7517945-905	REV -
	SCALE	SHEET 9	DRAWING NO. 7517945-905		

DRAWING NO. 7517945-905 SHEET 9

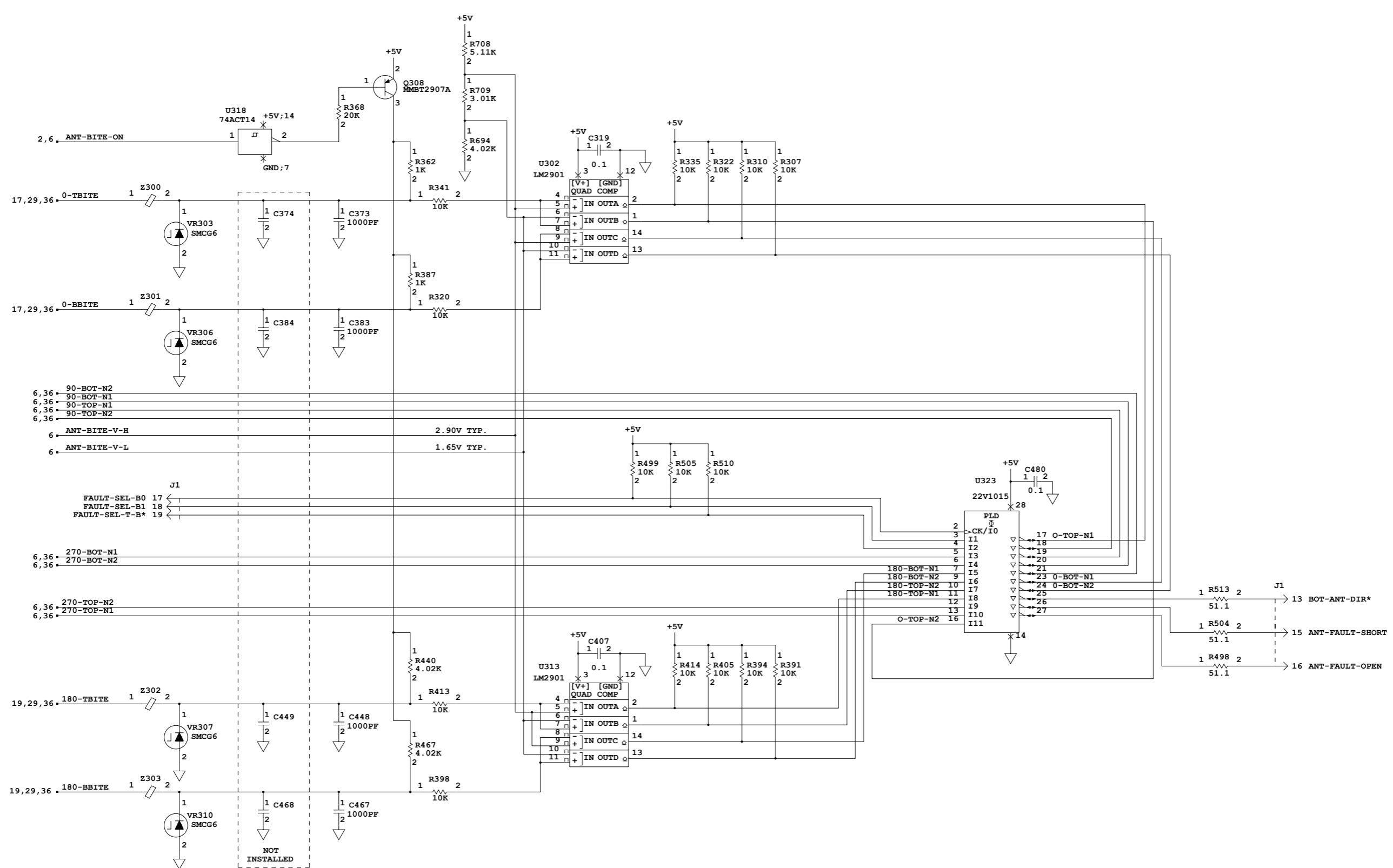
REVISIONS		
CR	REV	DESCRIPTION



ANT BITE
SCHEMATIC DIAGRAM SHEET NO. 6

COMPUTER GENERATED

DRAWING NO. 7517945-905 10

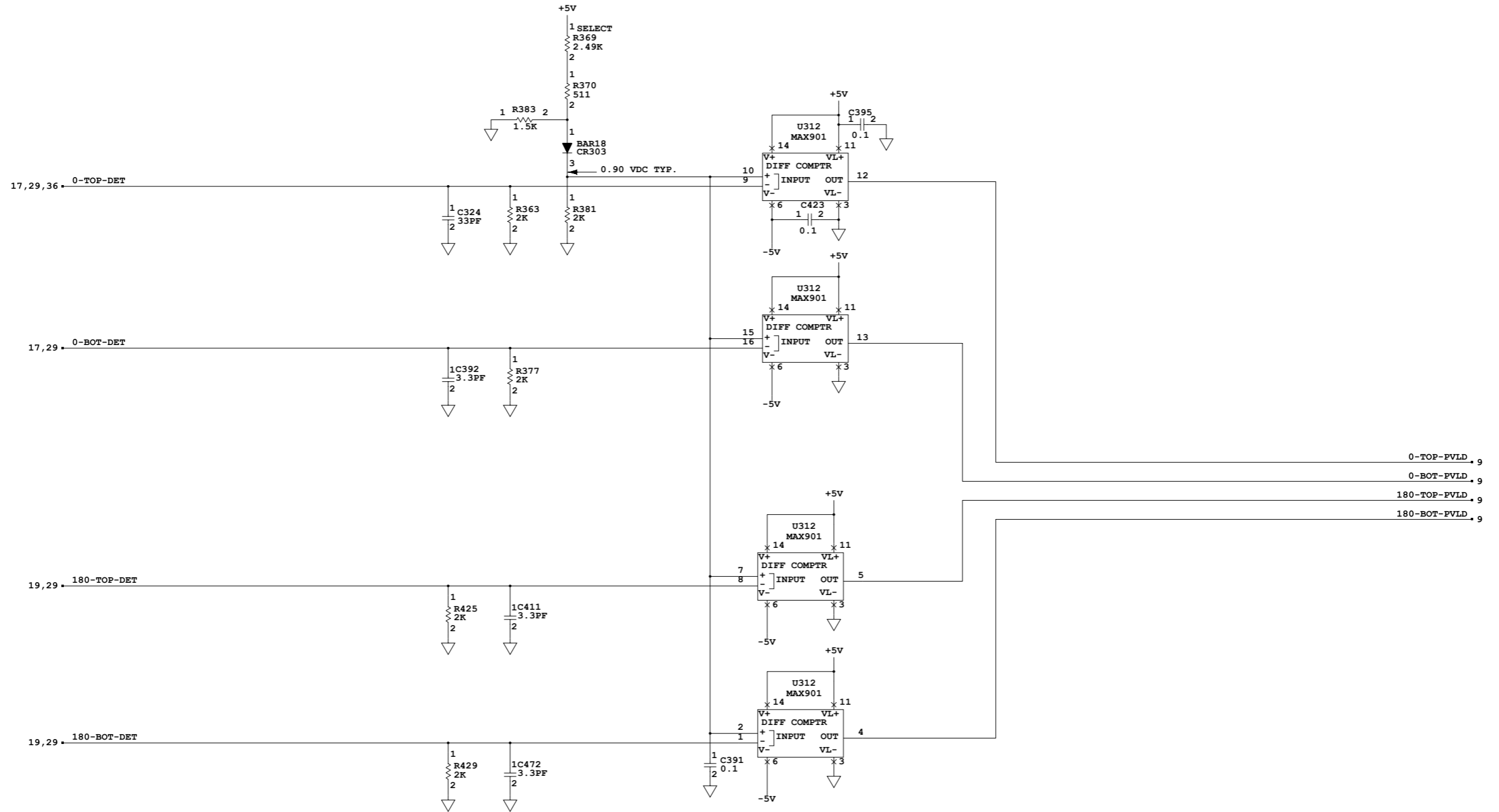


ANTENNA BITE
SCHEMATIC DIAGRAM SHEET NO. 7

COMPUTER GENERATED

DRAWING NO. 7517945-905 SHEET 11

REV		REVISIONS
CR	REV	DESCRIPTION
008490	B	C392, C411, C472 WERE 33PF. C411, C472 SWAP W/R425, R429. TYP VDC WAS 1.3V. 04/30/2005



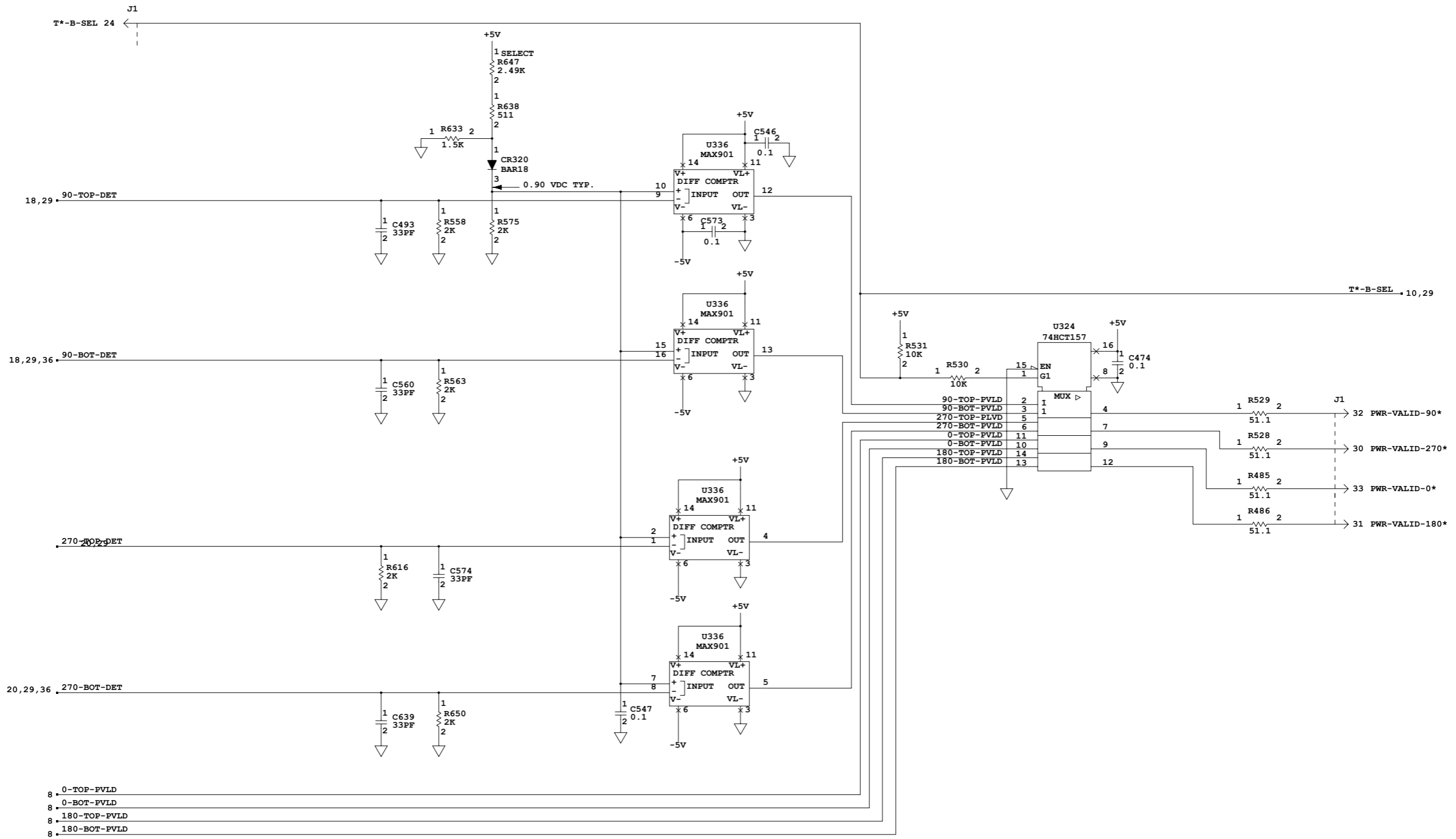
POWER VALID DETECTION
SCHEMATIC DIAGRAM SHEET NO. 8

COMPUTER GENERATED

ACSS	SEE FIRST SHEET FOR CONTRACT NUMBER. USE OR DISCLOSURE OF INFORMATION ON THIS SHEET IS SUBJECT TO THE RESTRICTIONS ON THE FIRST SHEET OF THIS DOCUMENT.	SIZE E	CAGE CODE 1WYD3	DRAWING NO. 7517945-905	REV B
	SCALE	SHEET 12			

DRAWING NO. 7517945-905 SHEET 12

REV		DESCRIPTION	DATE
008490	B	SWAPPED C574 & R616. TYP VDC WAS 1.3V.	04/30/2005



POWER VALID DETECTION
SCHEMATIC DIAGRAM SHEET NO. 9

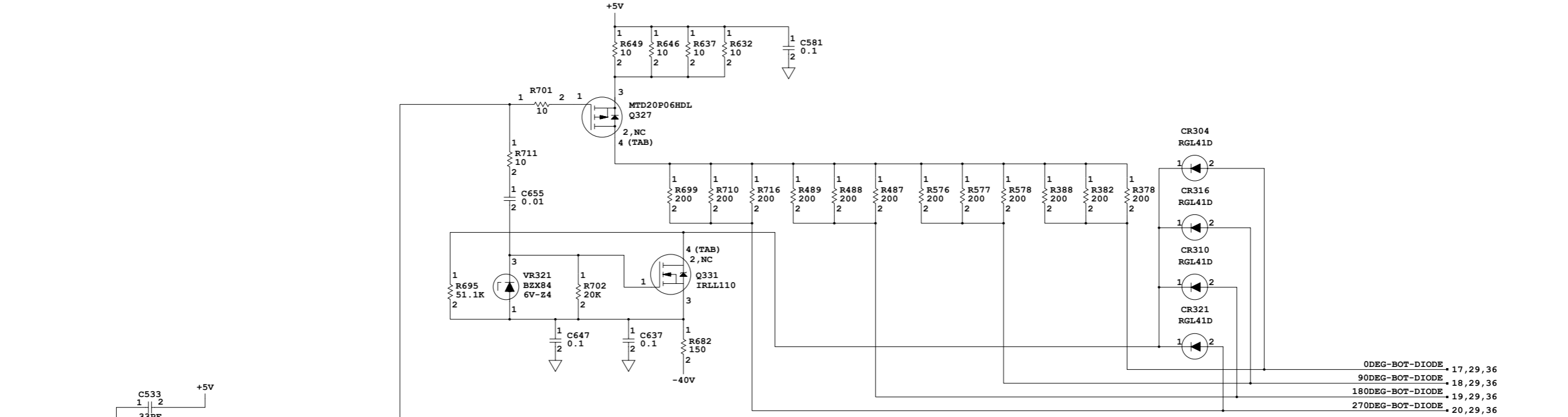
COMPUTER GENERATED

ACSS	SEE FIRST SHEET FOR CONTRACT NUMBER. USE OR DISCLOSURE OF INFORMATION ON THIS SHEET IS SUBJECT TO THE RESTRICTIONS ON THE FIRST SHEET OF THIS DOCUMENT.	SIZE E 1WYD3	DRAWING NO. 7517945-905	REV B
------	--	-----------------	----------------------------	----------

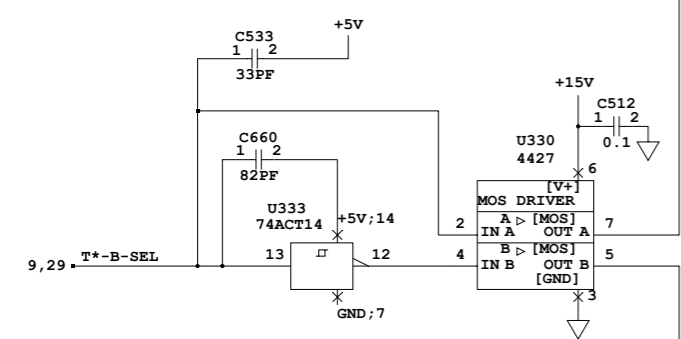
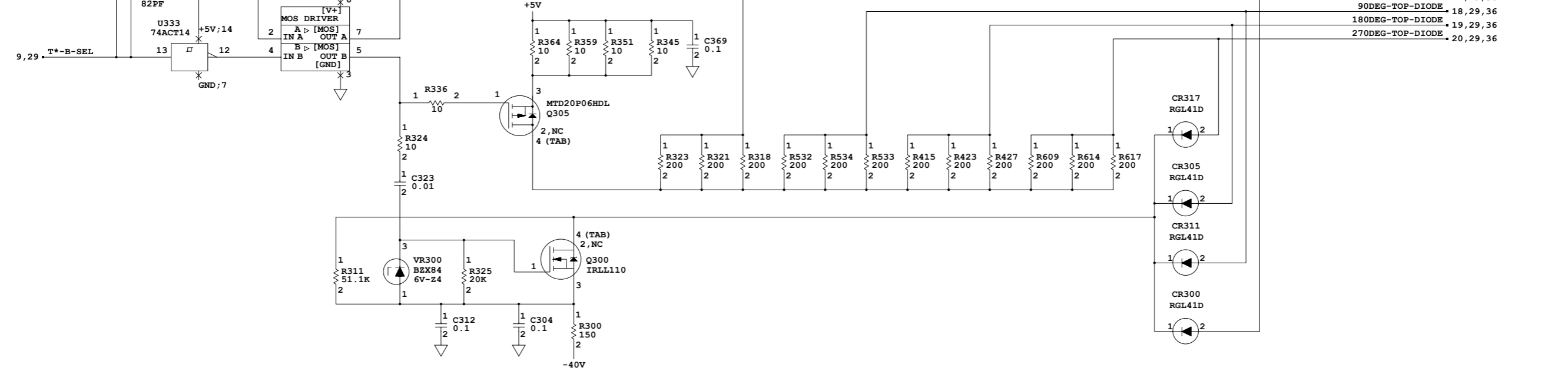
DRAWING NO. 7517945-905 SHEET 13

REVISIONS		
CR	REV	DESCRIPTION

BOTTOM ANTENNA DRIVERS



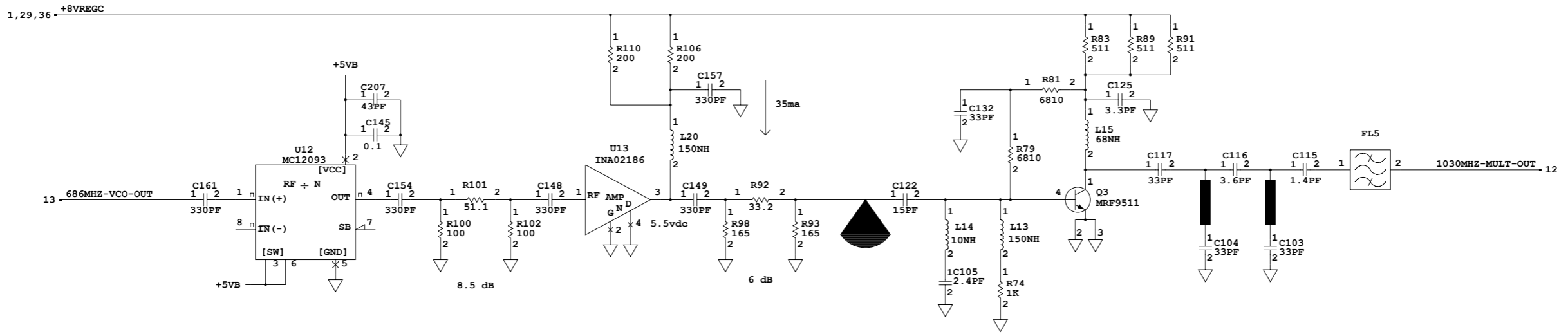
TOP ANTENNA DRIVERS



TOP/BOTTOM SWITCH DIODE DRIVERS
SCHEMATIC DIAGRAM SHEET NO. 10

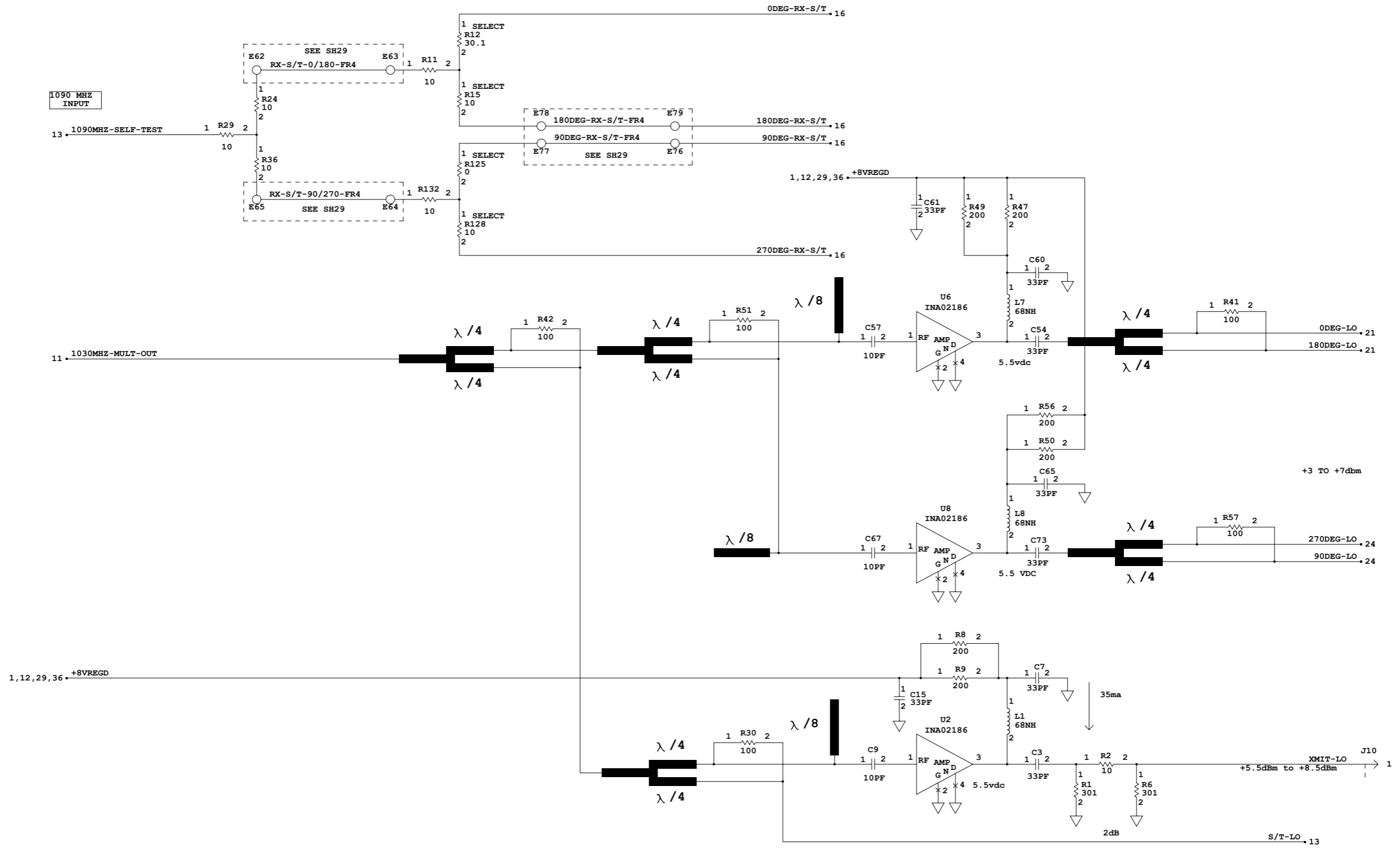
COMPUTER GENERATED

DRAWING NO. 7517945-905 SHEET 14



DIVIDE BY 2/ TRIPLER
 DUROID SIDE
 SCHEMATIC DIAGRAM SHEET NO. 11

COMPUTER GENERATED

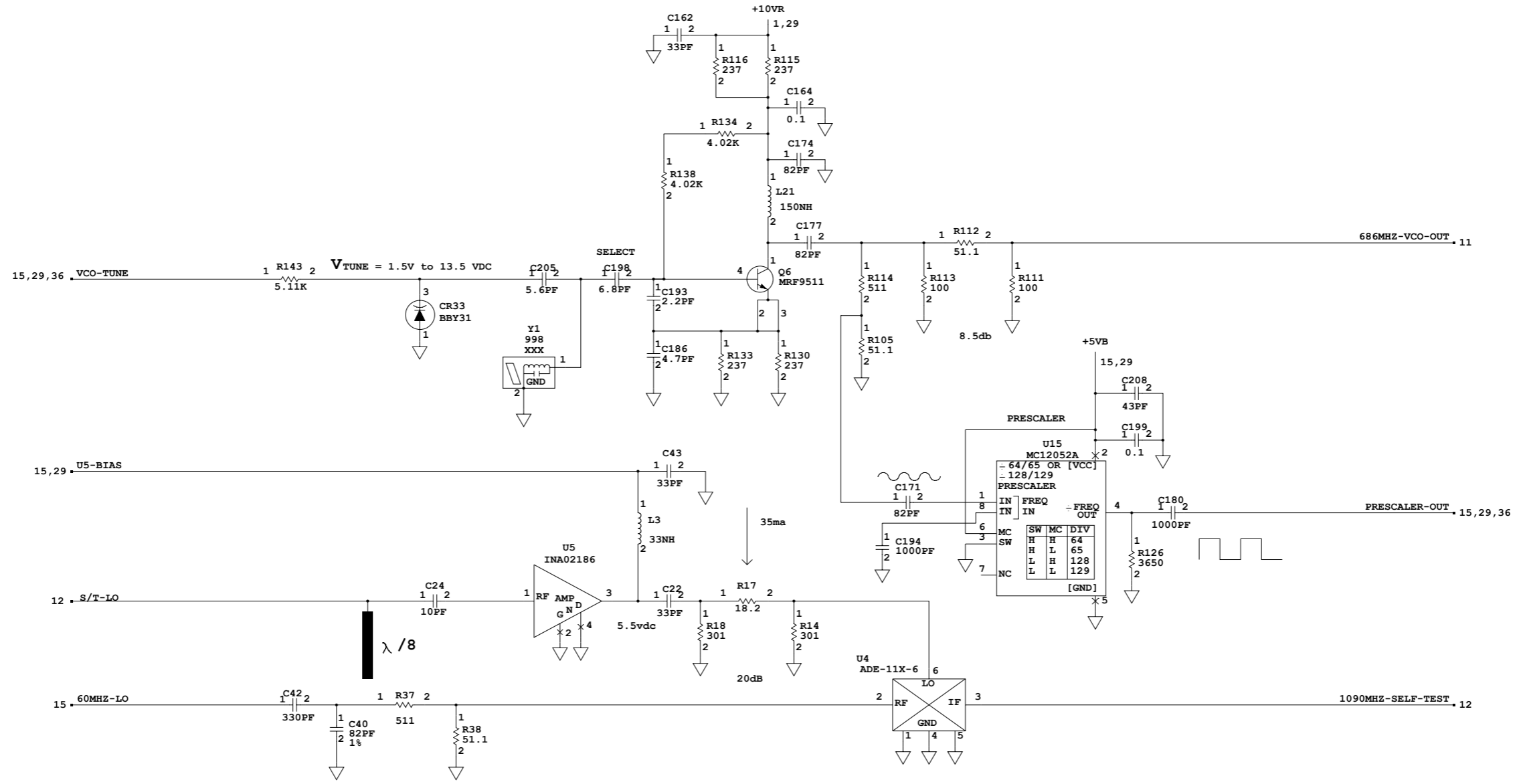


DUROID SIDE
 POWER DISTRIBUTION
 SCHEMATIC DIAGRAM SHEET NO. 12

COMPUTER GENERATED

DRAWING NO. 7517945-905
 SHEET 16

REVISES		DESCRIPTION
CR	REV	



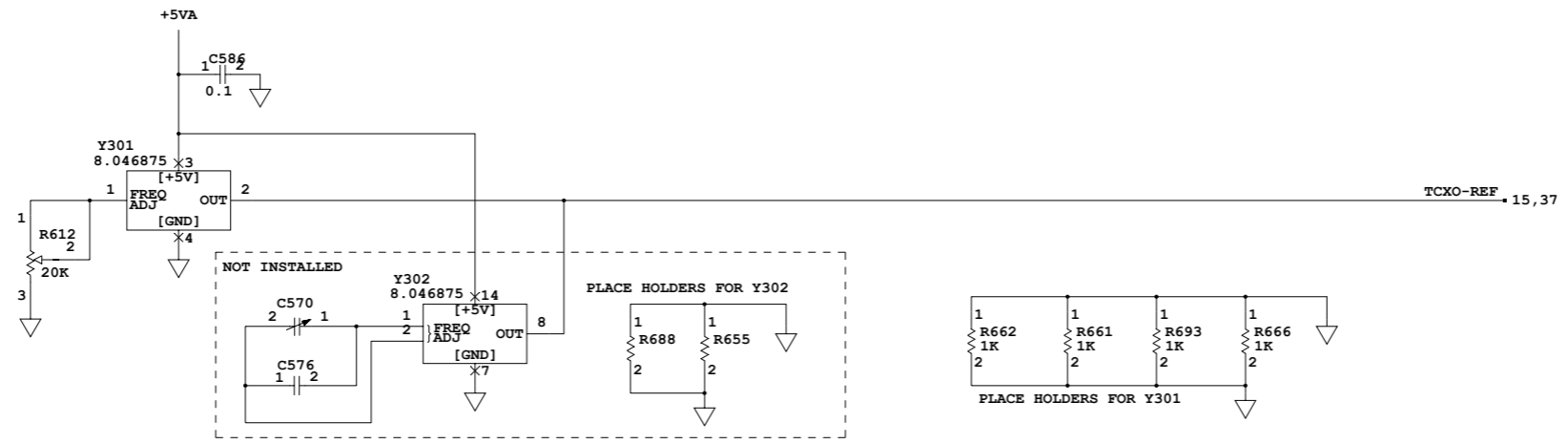
DUROID SIDE
 1030 MHz LOCAL OSCILLATOR
 SCHEMATIC DIAGRAM SHEET NO. 13

COMPUTER GENERATED

ACSS	SEE FIRST SHEET FOR CONTRACT NUMBER. USE OR DISCLOSURE OF INFORMATION ON THIS SHEET IS SUBJECT TO THE RESTRICTIONS ON THE FIRST SHEET OF THIS DOCUMENT.	SIZE E	CAGE CODE 1WYD3	DRAWING NO. 7517945-905	REV 1
	SCALE			SHEET 17	

DRAWING NO. 7517945-905 SHEET 17

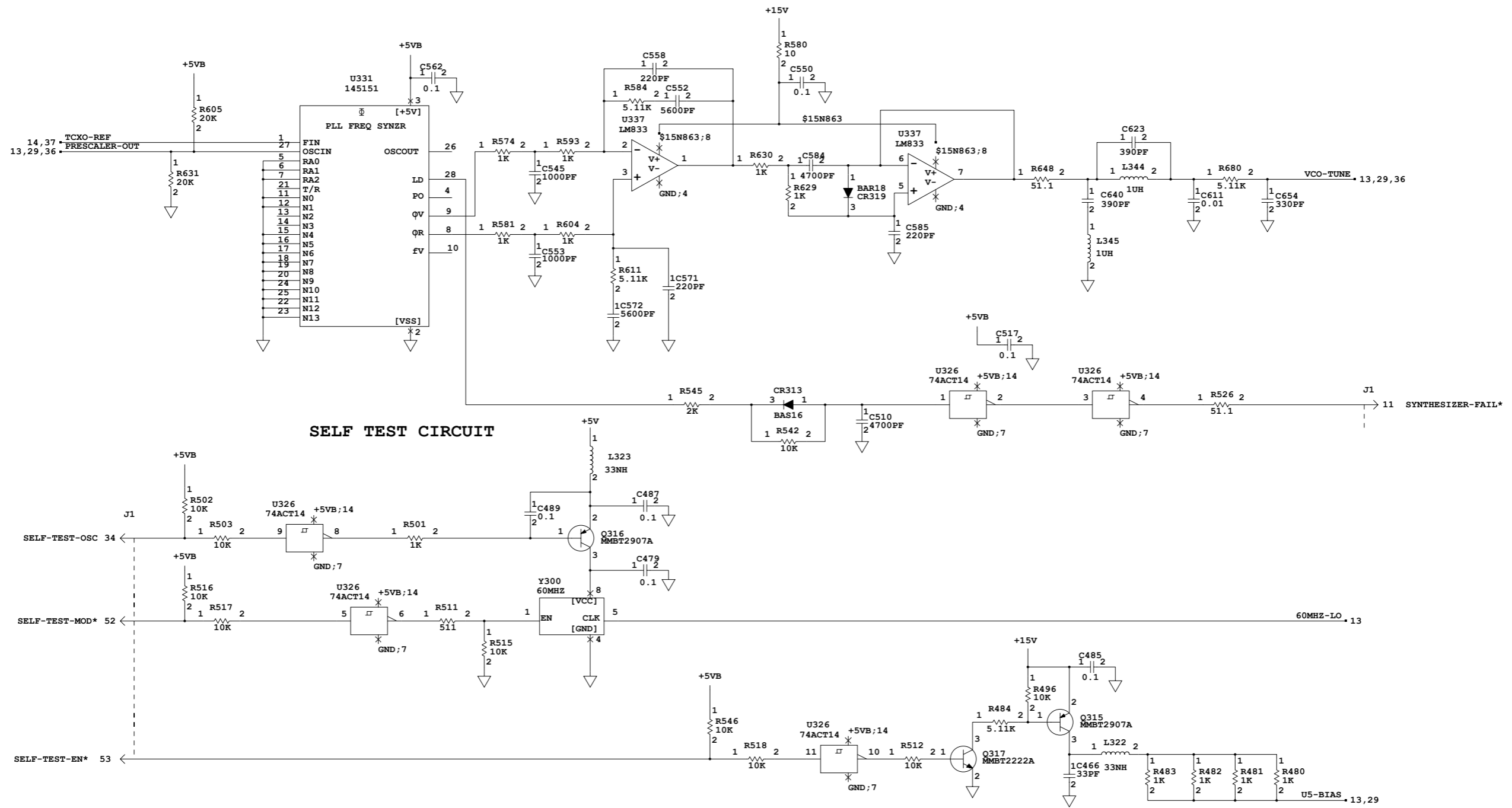
REVISIONS		
CR	REV	DESCRIPTION



FR4 SIDE
 BIAS \ TCXO REF
 SCHEMATIC DIAGRAM SHEET NO. 14

COMPUTER GENERATED

DRAWING NO. 7517945-905 SHEET 18



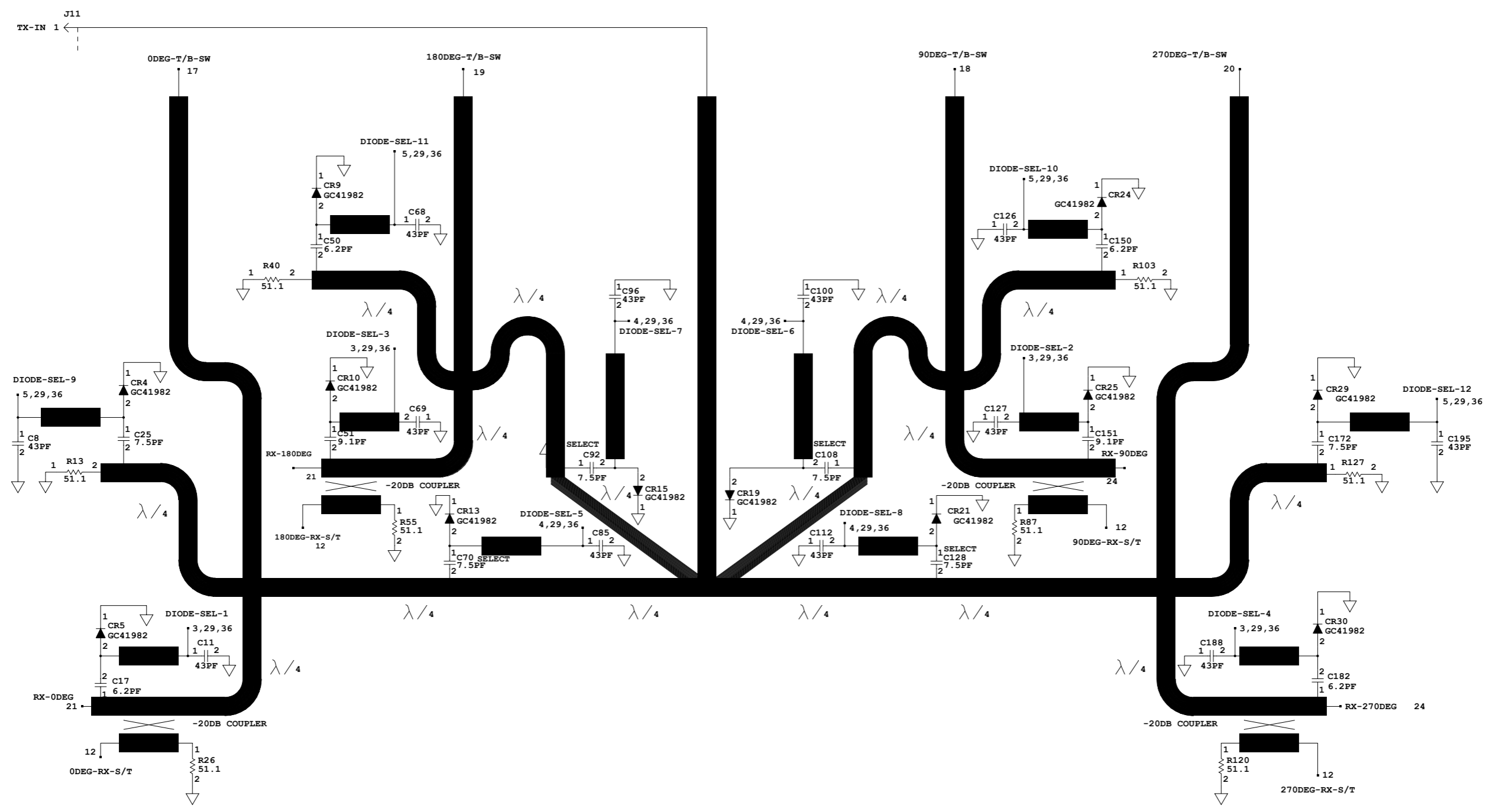
SELF TEST CIRCUIT

FR4 SIDE
 SELF TEST CIRCUIT\SYNTHESIZER
 SCHEMATIC DIAGRAM SHEET NO. 15

COMPUTER GENERATED

DRAWING NO. 7517945-905 SHEET 19

REVISES		DESCRIPTION
CR	REV	



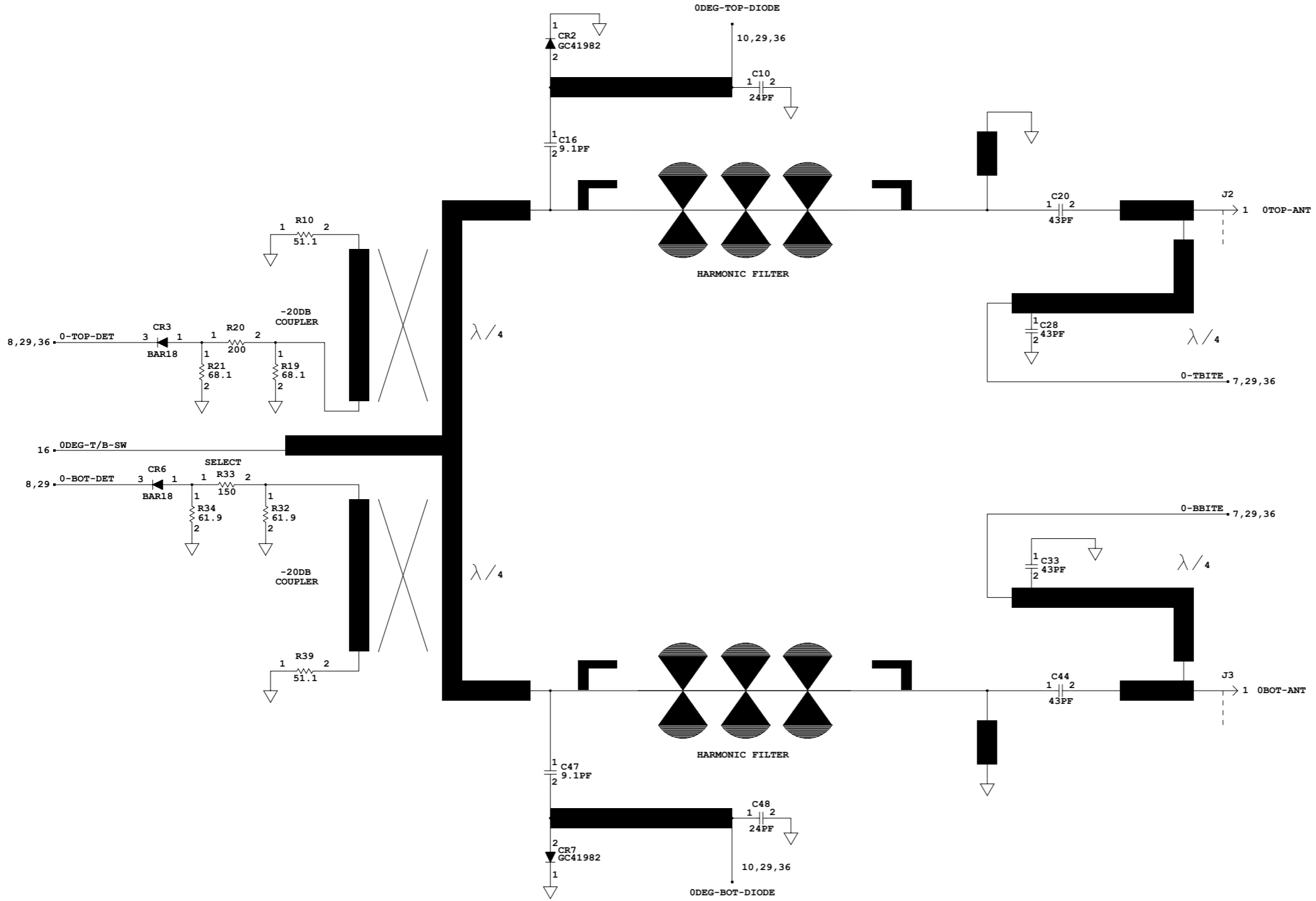
CHANNEL SELECTION SWITCH
 SCHEMATIC DIAGRAM SHEET NO. 16

COMPUTER GENERATED

ACSS	SEE FIRST SHEET FOR CONTRACT NUMBER. USE OR DISCLOSURE OF INFORMATION ON THIS SHEET IS SUBJECT TO THE RESTRICTIONS ON THE FIRST SHEET OF THIS DOCUMENT.	SIZE E	CAGE CODE 1WYD3	DRAWING NO. 7517945-905	REV -
	SCALE			SHEET 20	

DRAWING NO. 7517945-905 SHEET 20

REV		DESCRIPTION	DATE
008490	B	R33 WAS 150.	04/30/2005



0 DEG TOP/BOTTOM SWITCH

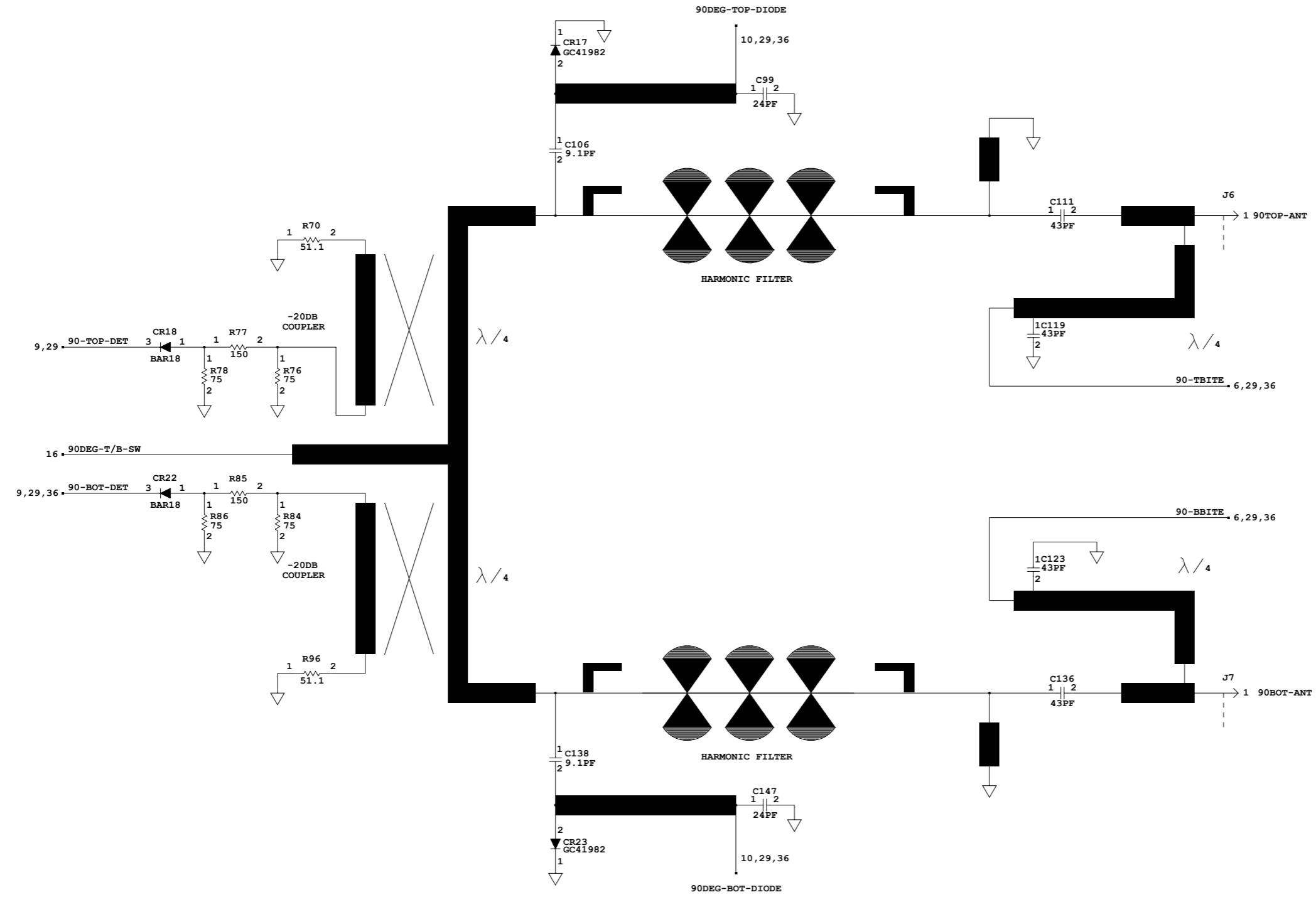
SCHEMATIC DIAGRAM SHEET NO. 17

COMPUTER GENERATED

ACSS	SEE FIRST SHEET FOR CONTRACT NUMBER. USE OR DISCLOSURE OF INFORMATION ON THIS SHEET IS SUBJECT TO THE RESTRICTIONS ON THE FIRST SHEET OF THIS DOCUMENT.	SIZE E	CAGE CODE 1WYD3	DRAWING NO. 7517945-905	REV B
		SCALE	SHEET 21		

DRAWING NO. 7517945-905 SHEET 21

REVISIONS		
CR	REV	DESCRIPTION



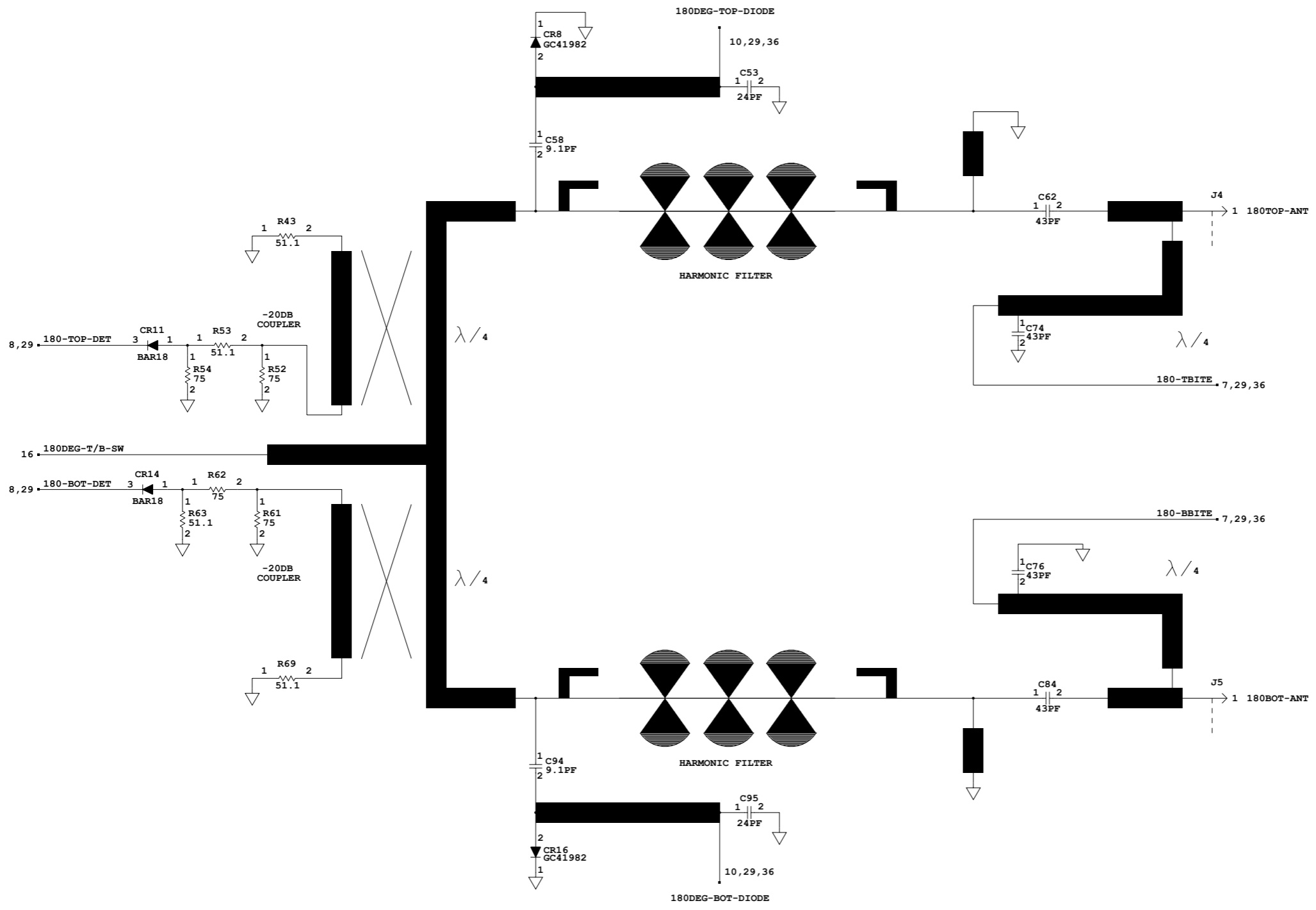
90 DEG TOP/BOTTOM SWITCH
 SCHEMATIC DIAGRAM SHEET NO. 18

COMPUTER GENERATED

ACSS	SEE FIRST SHEET FOR CONTRACT NUMBER. USE OR DISCLOSURE OF INFORMATION ON THIS SHEET IS SUBJECT TO THE RESTRICTIONS ON THE FIRST SHEET OF THIS DOCUMENT.	SIZE E	CAGE CODE 1WYD3	DRAWING NO. 7517945-905	REV 1
	SCALE			SHEET 22	

DRAWING NO. 7517945-905 SHEET 22

REV		DESCRIPTION	DATE
008490	B	R61, R63; R52, R54; R53; R62 WERE 61.9; 68.1; 200; 301 OHMS.	04/30/2005



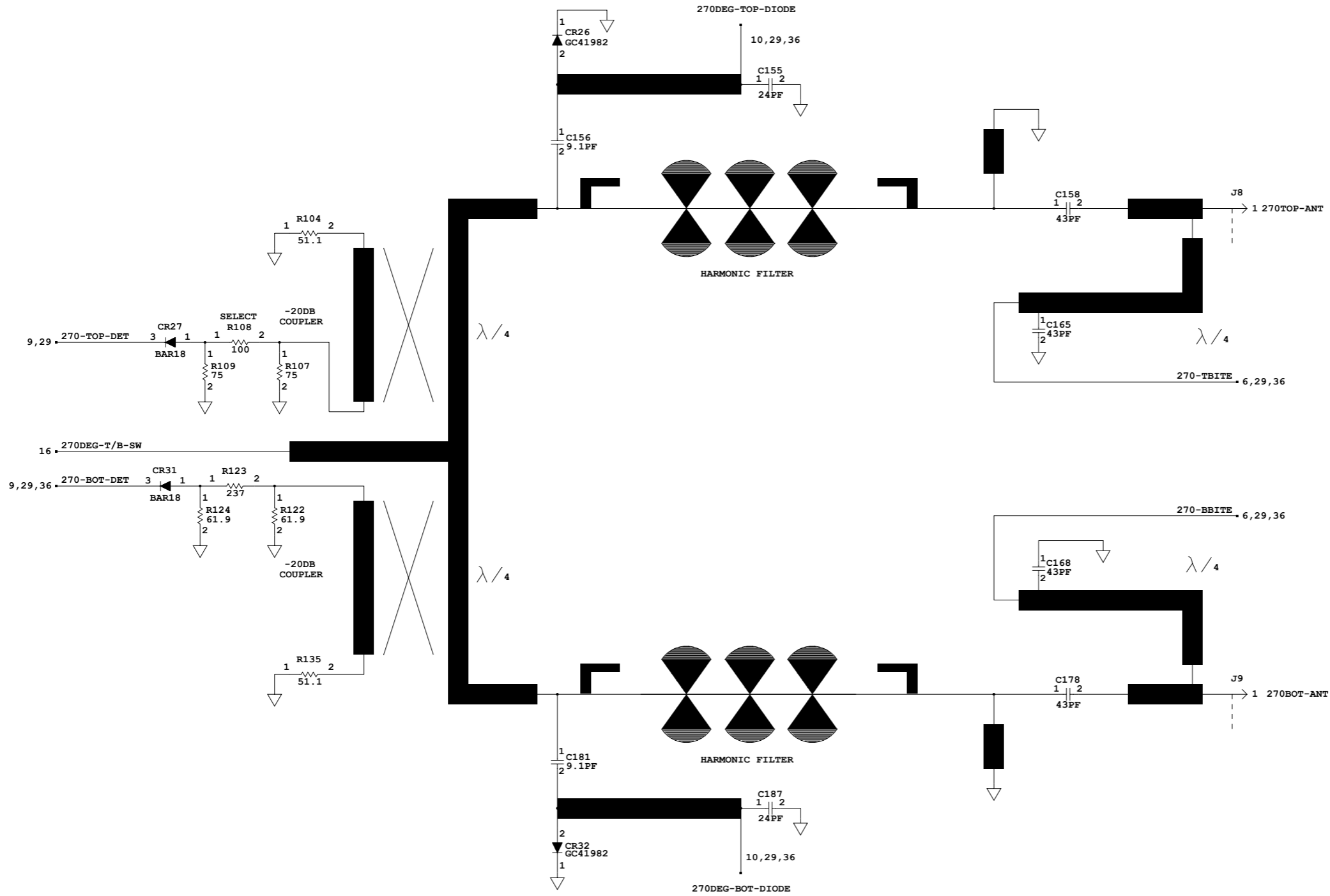
180 DEG TOP/BOTTOM SWITCH
SCHEMATIC DIAGRAM SHEET NO. 19

COMPUTER GENERATED

5-10-2005 17:45	SEE FIRST SHEET FOR CONTRACT NUMBER. USE OR DISCLOSURE OF INFORMATION ON THIS SHEET IS SUBJECT TO THE RESTRICTIONS ON THE FIRST SHEET OF THIS DOCUMENT.	SIZE E	CAGE CODE 1WYD3	DRAWING NO. 7517945-905	REV B
ACSS		SCALE		SHEET 23	

DRAWING NO. 7517945-905 SHEET 23

REV		DESCRIPTION	DATE
008490	B	R107,R109 WERE 61.9. R108 WAS 237.	04/30/2005



270 DEG TOP/BOTTOM SWITCH

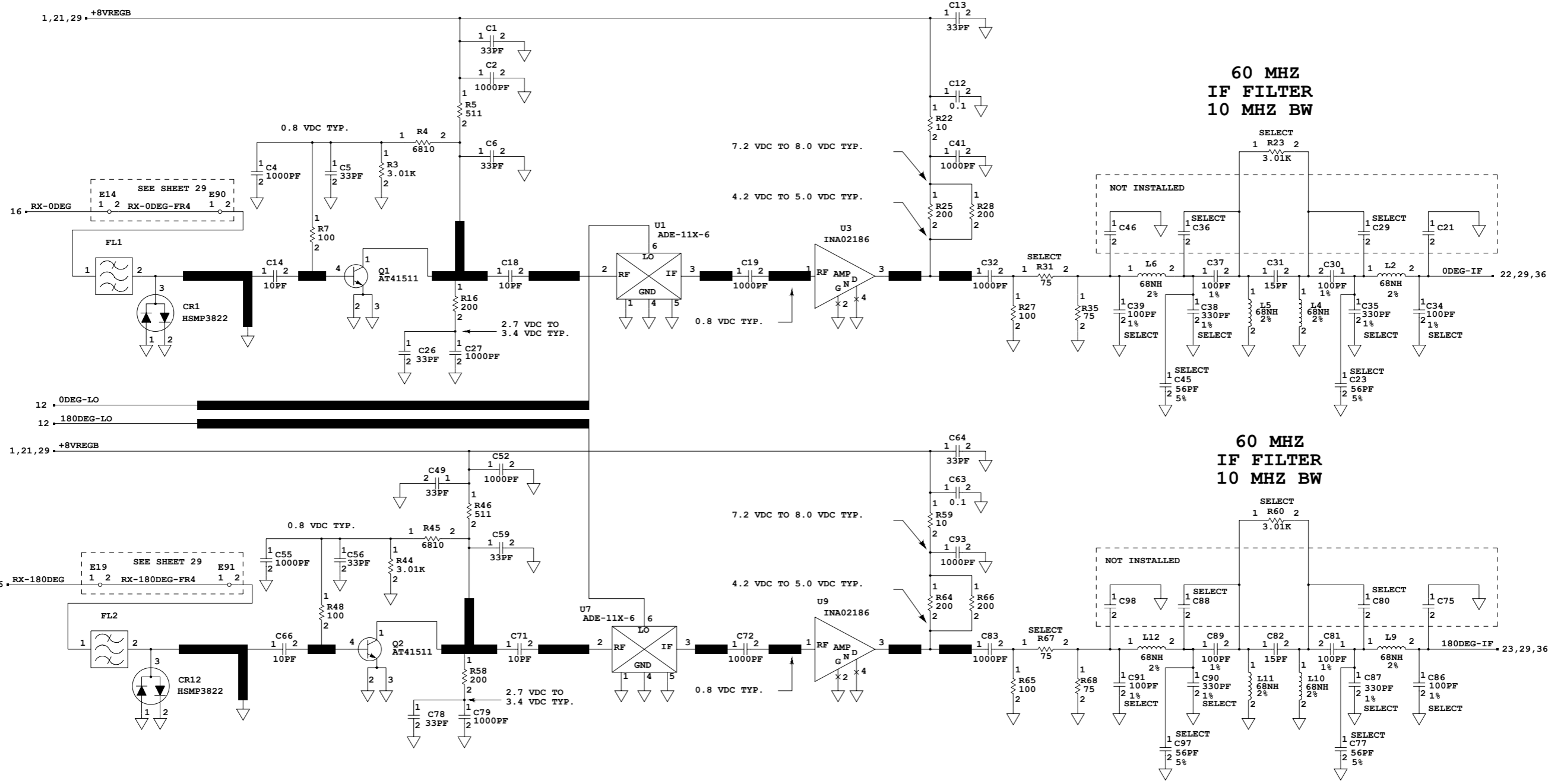
SCHEMATIC DIAGRAM SHEET NO. 20

COMPUTER GENERATED

ACSS	SEE FIRST SHEET FOR CONTRACT NUMBER. USE OR DISCLOSURE OF INFORMATION ON THIS SHEET IS SUBJECT TO THE RESTRICTIONS ON THE FIRST SHEET OF THIS DOCUMENT.	SIZE E	CAGE CODE 1WYD3	DRAWING NO. 7517945-905	REV B
	SCALE			SHEET 24	

DRAWING NO. 7517945-905 SHEET 24

REV		DESCRIPTION	DATE
008490	B	C35,C38,C87,C90 WERE 390PF. ADDED "SELECT" 9X.	04/30/2005



0/180 DOWNCONVERTER-LNA
SCHEMATIC DIAGRAM SHEET NO. 21

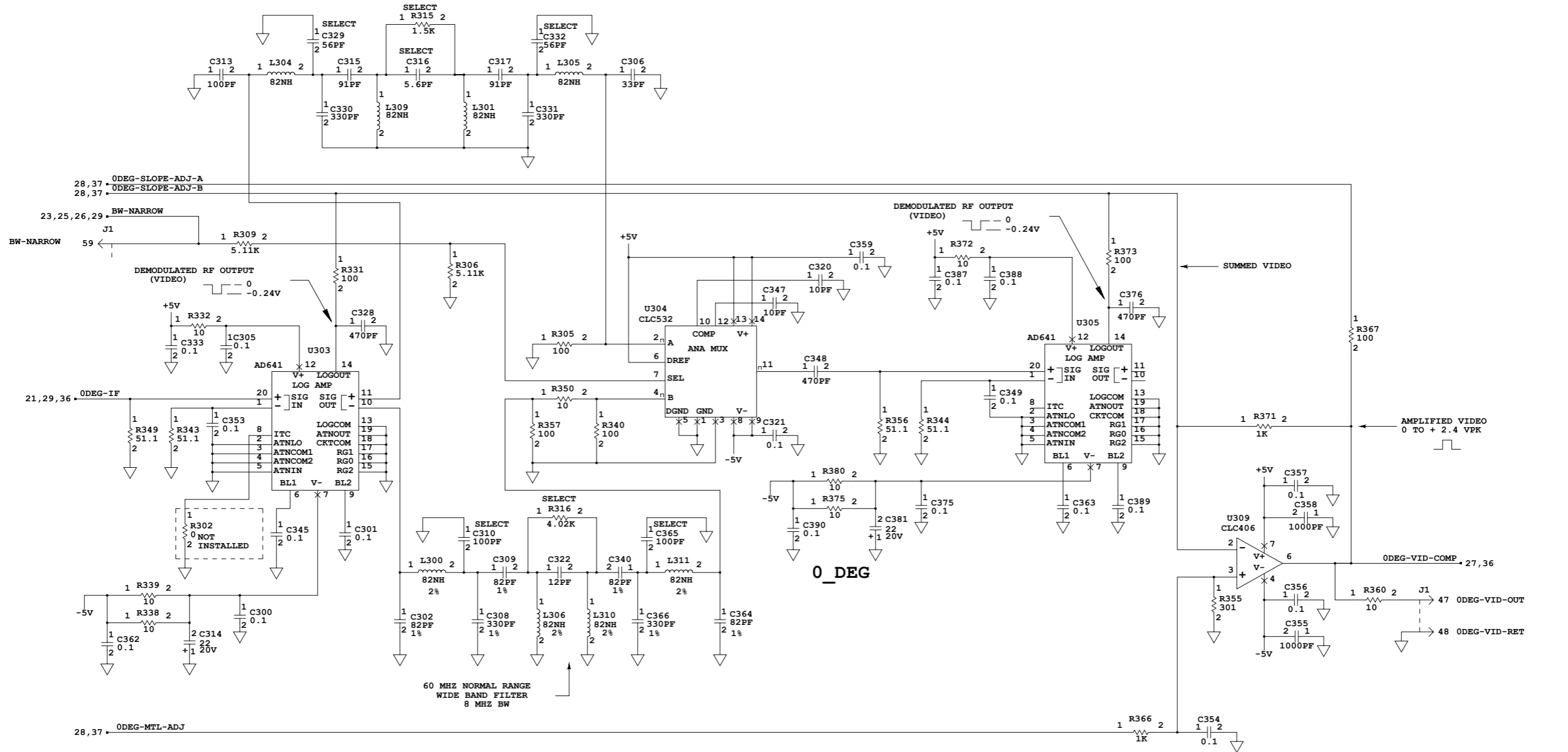
COMPUTER GENERATED

ACSS	SEE FIRST SHEET FOR CONTRACT NUMBER. USE OR DISCLOSURE OF INFORMATION ON THIS SHEET IS SUBJECT TO THE RESTRICTIONS ON THE FIRST SHEET OF THIS DOCUMENT.	SIZE	CAGE CODE	DRAWING NO.	REV
	SCALE	E	1WYD3	7517945-905	B

DRAWING NO. 7517945-905 SHEET 25

REV		DESCRIPTION	DATE
008490	B	ADDED "SELECT" TO C329.	
008507	B	DELETED "SELECT" 8X.	04/30/2005

60 MHZ EXTENDED RANGE
NARROW BAND FILTER
4 MHZ BW



0 IF FILTERS/LOGAMPS

SCHEMATIC DIAGRAM SHEET NO. 22

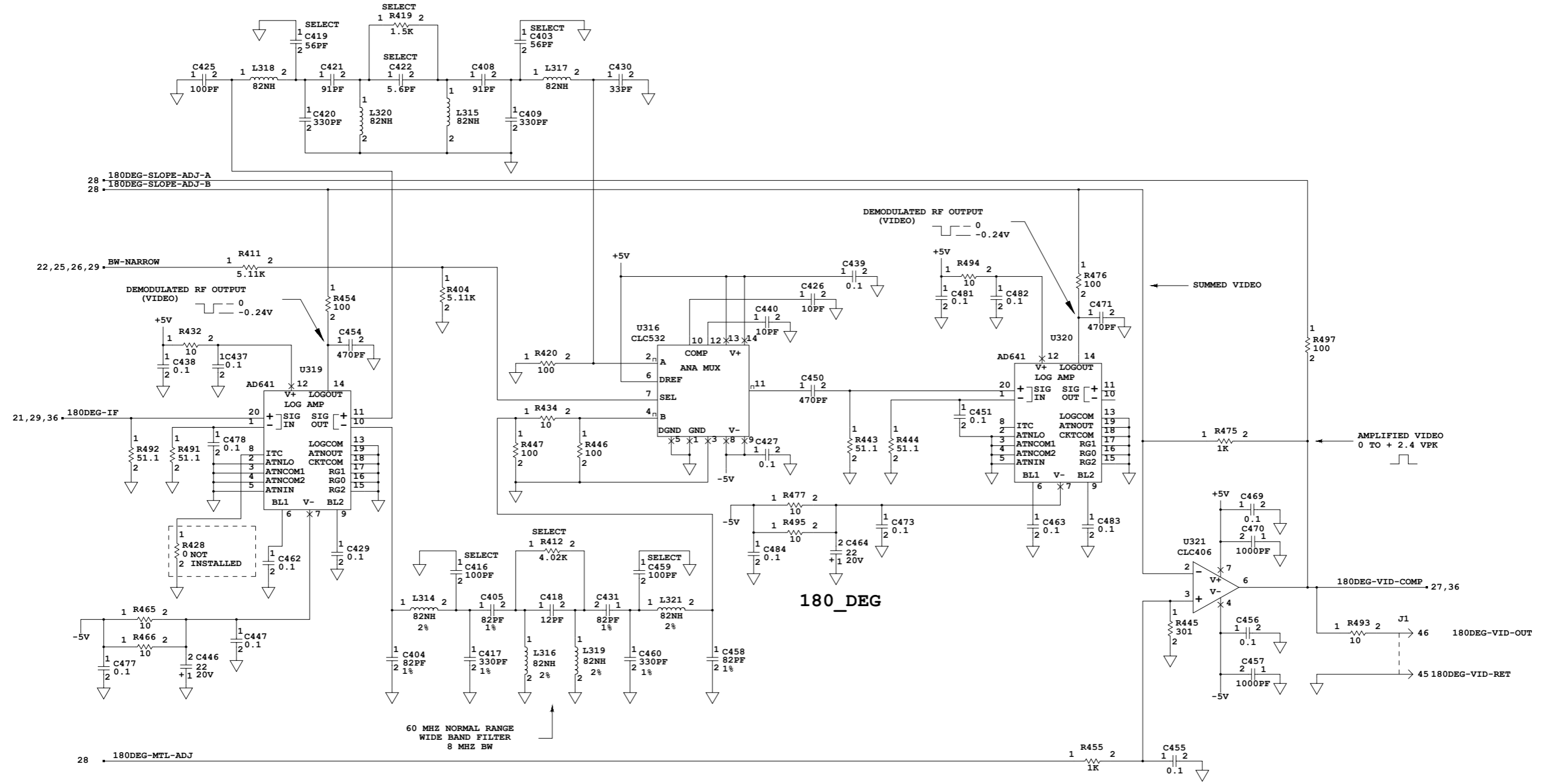
COMPUTER GENERATED

ACSS	SEE FIRST SHEET FOR CONTRACT NUMBER. USE OR DISCLOSURE OF INFORMATION ON THIS SHEET IS SUBJECT TO THE RESTRICTIONS ON THE FIRST SHEET OF THIS DOCUMENT.	SIZE E	CAGE CODE 1WYD3	DRAWING NO. 7517945-905	REV B
	SCALE		SHEET 26		

DRAWING NO. 7517945-905 SHEET 26

REV		DESCRIPTION	DATE
008490	B	ADDED "SELECT" TO C419.	
008507	B	DELETED "SELECT" 8X.	04/30/2005

60 MHZ EXTENDED RANGE
NARROW BAND FILTER
4 MHZ BW



180 IF FILTERS/LOGAMPS

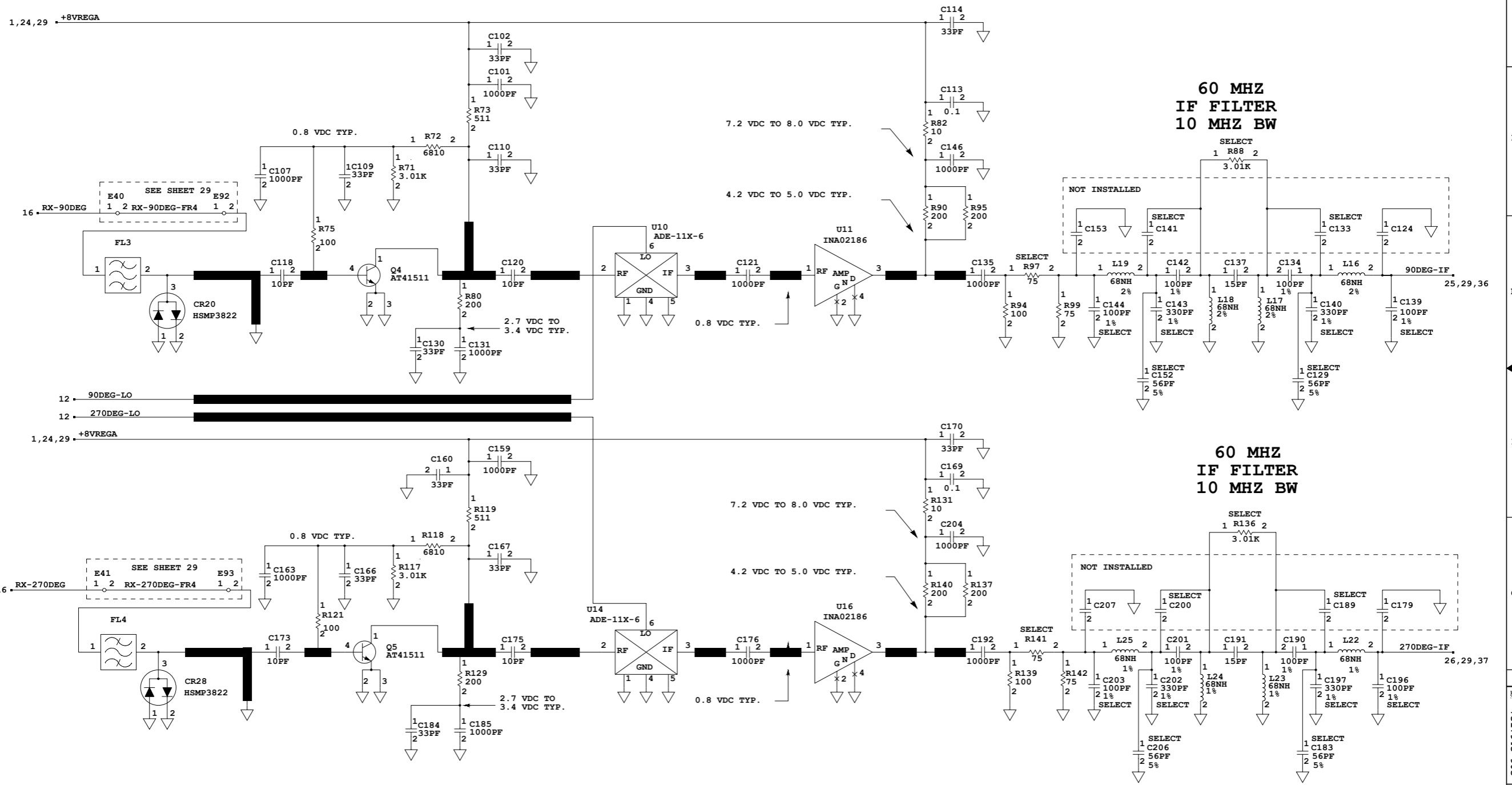
SCHEMATIC DIAGRAM SHEET NO. 23

COMPUTER GENERATED

ACSS	SEE FIRST SHEET FOR CONTRACT NUMBER. USE OR DISCLOSURE OF INFORMATION ON THIS SHEET IS SUBJECT TO THE RESTRICTIONS ON THE FIRST SHEET OF THIS DOCUMENT.	SIZE E	CAGE CODE 1WYD3	DRAWING NO. 7517945-905	REV B
		SCALE		SHEET 27	

DRAWING NO. 7517945-905 SHEET 27

REV		DESCRIPTION	DATE
008490	B	C140, C143, C197, C202 WERE 390PF. ADDED "SELECT" 10X.	04/30/2005



90/270 DOWNCONVERTER-LNA
 SCHEMATIC DIAGRAM SHEET NO. 24

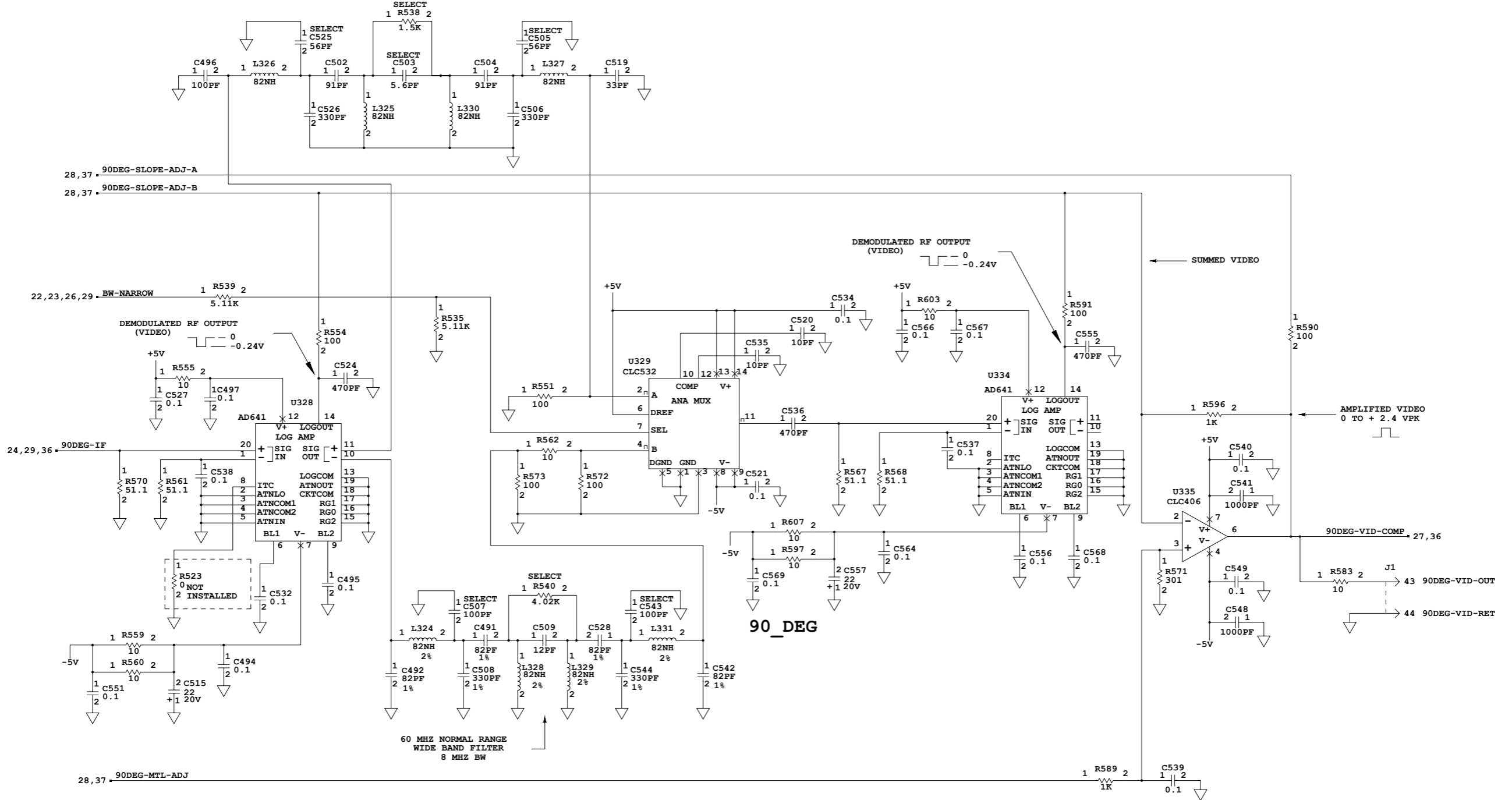
COMPUTER GENERATED

ACSS	SEE FIRST SHEET FOR CONTRACT NUMBER. USE OR DISCLOSURE OF INFORMATION ON THIS SHEET IS SUBJECT TO THE RESTRICTIONS ON THE FIRST SHEET OF THIS DOCUMENT.	SCALE	REV	CAGE CODE	DRAWING NO.	REV
			E	1WYD3	7517945-905	B

DRAWING NO. 7517945-905 SHEET 28

REV		DESCRIPTION	DATE
008490	B	ADDED "SELECT" 3X.	
008507	B	DELETED "SELECT" 4X.	04/30/2005

60 MHZ EXTENDED RANGE
NARROW BAND FILTER
4 MHZ BW



90 IF FILTERS/LOGAMPS

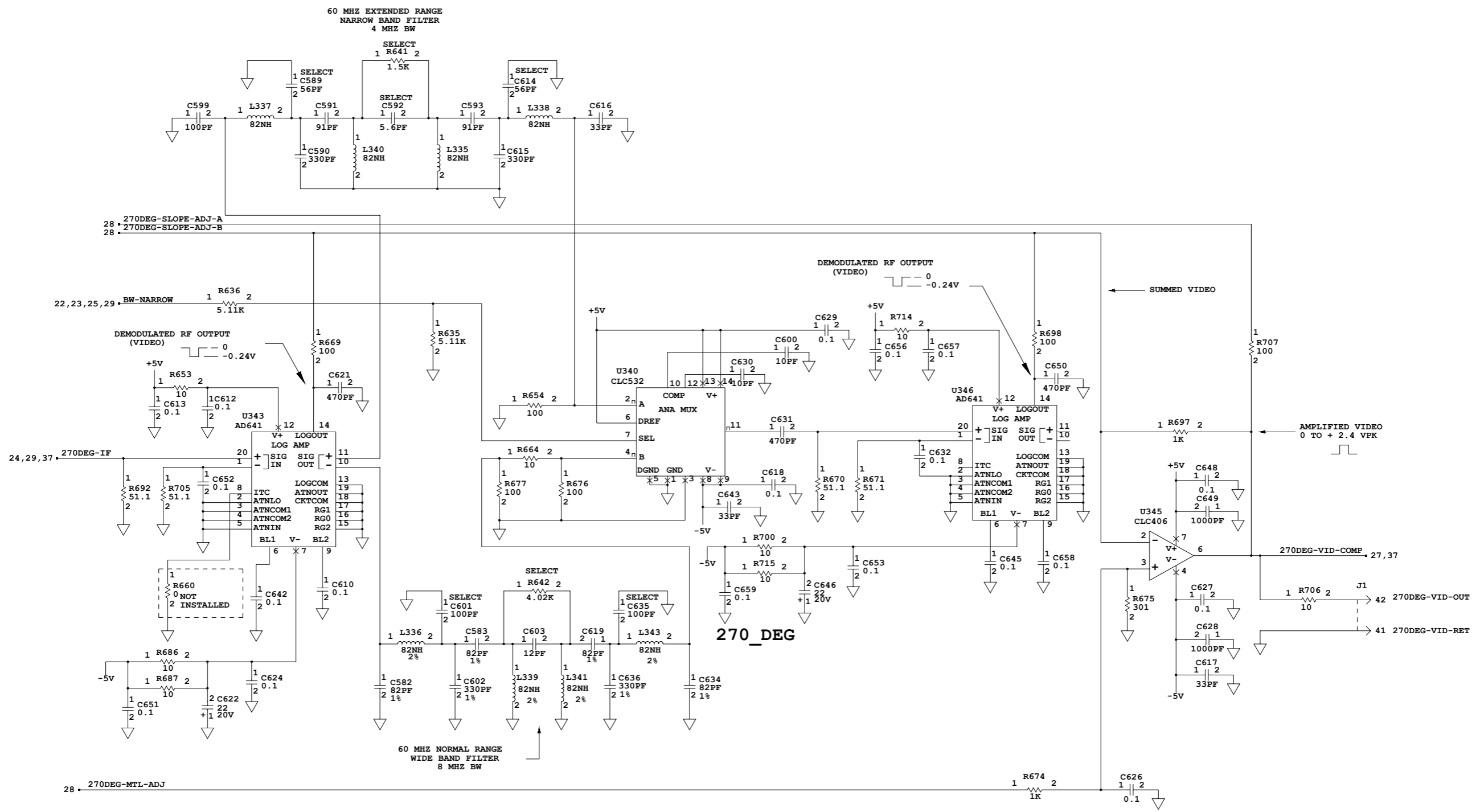
SCHEMATIC DIAGRAM SHEET NO. 25

COMPUTER GENERATED

ACSS	SEE FIRST SHEET FOR CONTRACT NUMBER. USE OR DISCLOSURE OF INFORMATION ON THIS SHEET IS SUBJECT TO THE RESTRICTIONS ON THE FIRST SHEET OF THIS DOCUMENT.	SCALE	1WYD3	DRAWING NO. 7517945-905	REV B
------	--	-------	-------	----------------------------	----------

DRAWING NO. 7517945-905 SHEET 29

REV		DESCRIPTION	DATE
008507	B	DELETED "SELECT" 8X (FROM 82NH INDUCTORS).	04/30/2005



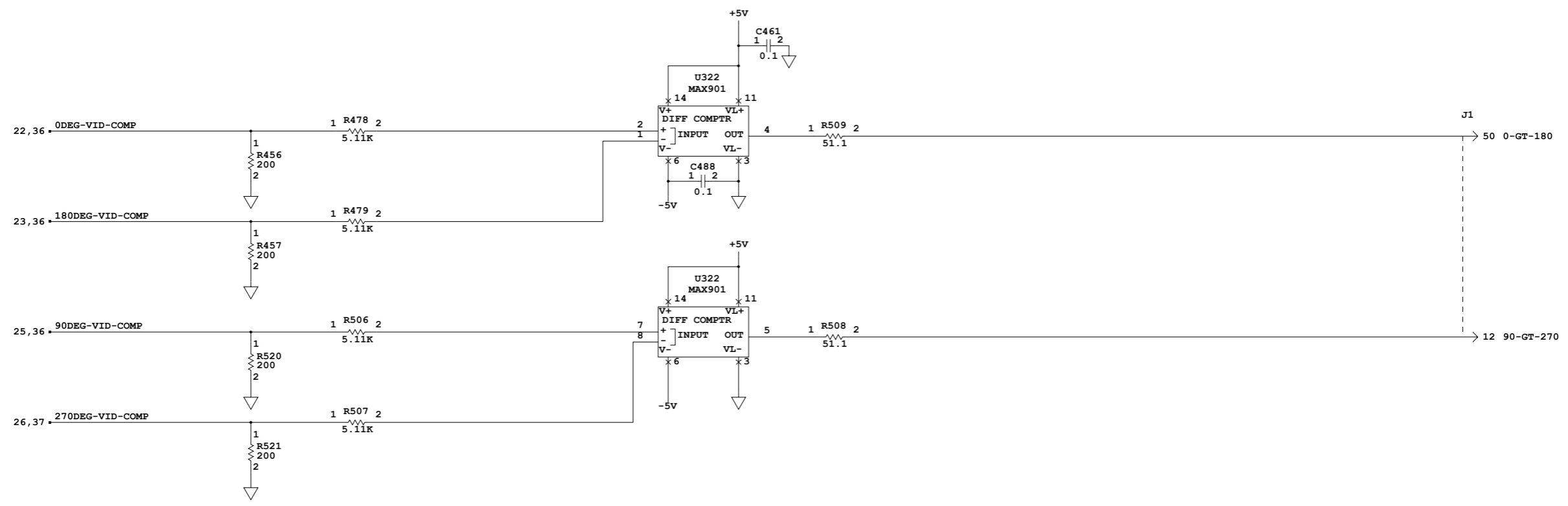
270 IF FILTERS/LOGAMPS
SCHEMATIC DIAGRAM SHEET NO. 26

COMPUTER GENERATED

ACSS	SEE FIRST SHEET FOR CONTRACT NUMBER. USE OR DISCLOSURE OF INFORMATION ON THIS SHEET IS SUBJECT TO THE RESTRICTIONS ON THE FIRST SHEET OF THIS DOCUMENT.	SIZE E	CAGE CODE 1WYD3	DRAWING NO. 7517945-905	REV B
------	--	-----------	--------------------	----------------------------	----------

DRAWING NO. 7517945-905 SHEET 30

REV		DESCRIPTION

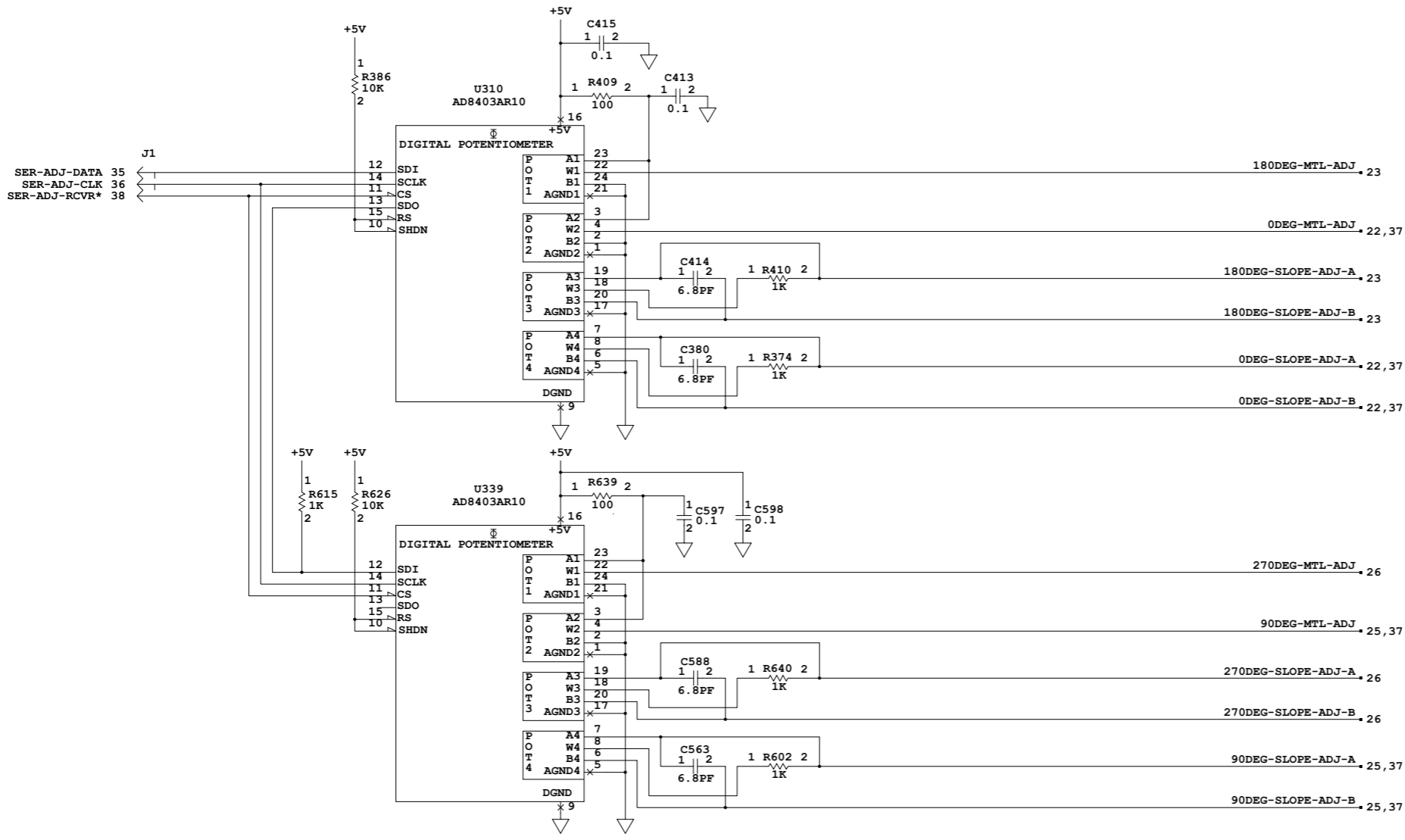


RX CHANNEL COMPARISON
 SCHEMATIC DIAGRAM SHEET NO. 27

COMPUTER GENERATED

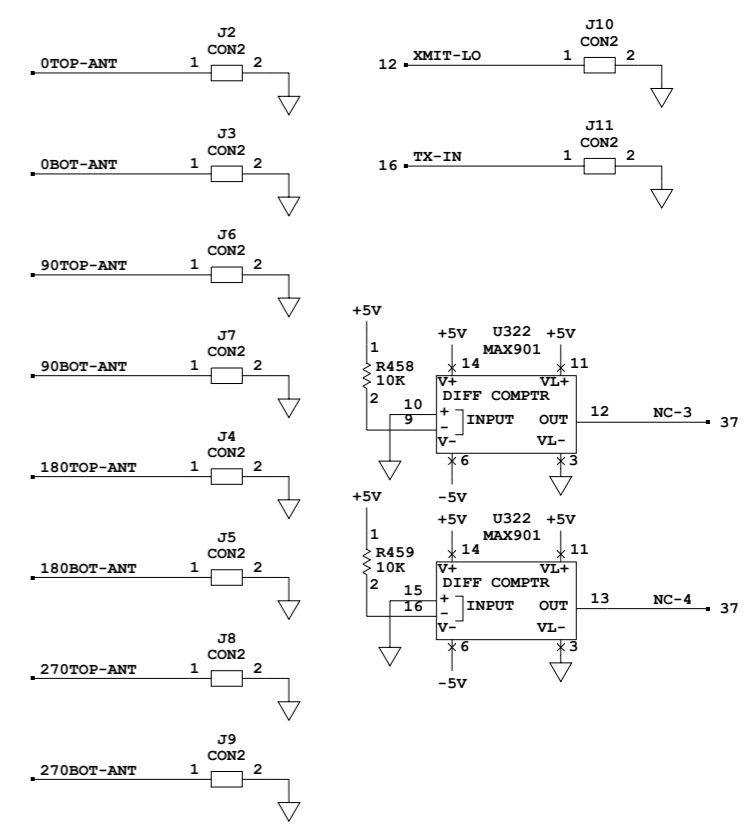
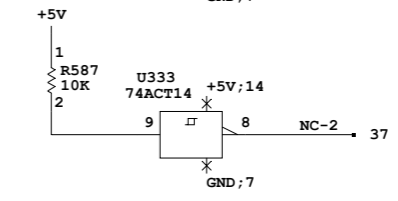
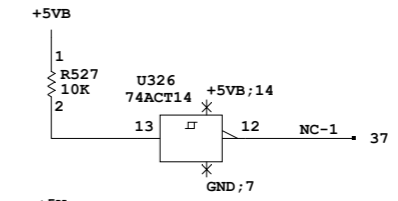
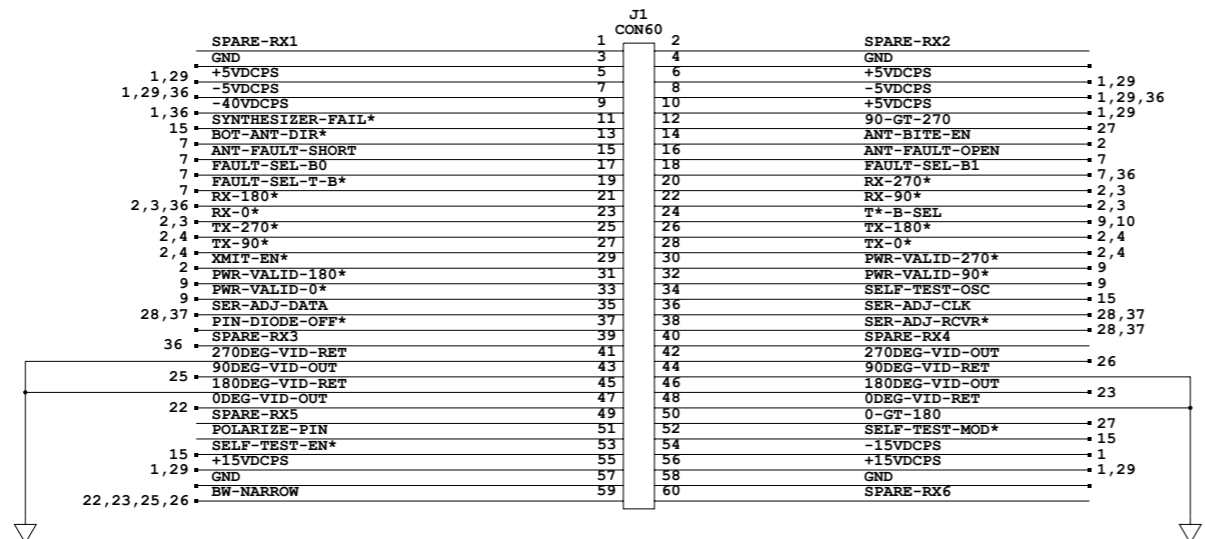
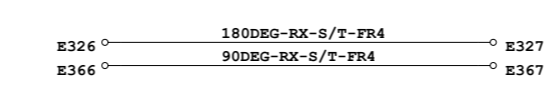
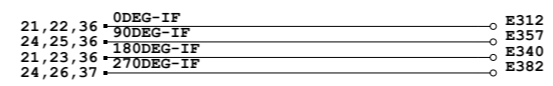
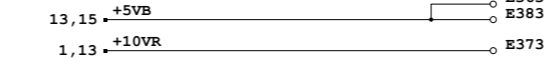
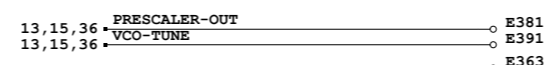
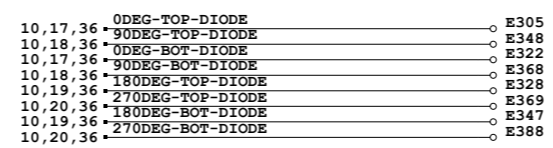
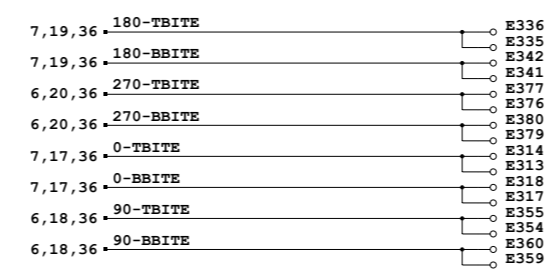
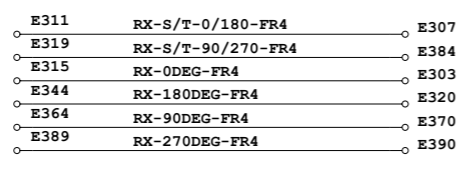
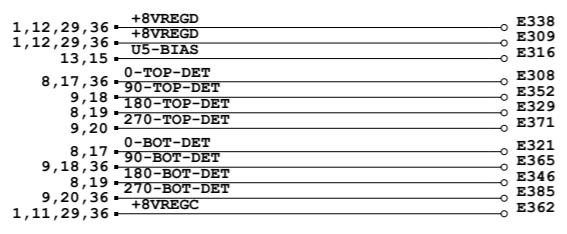
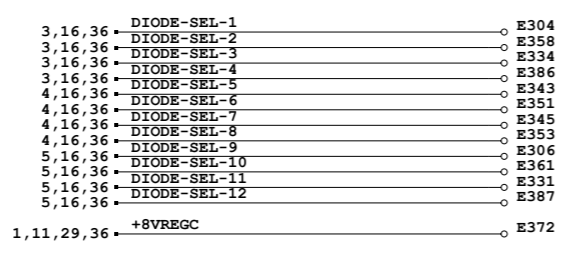
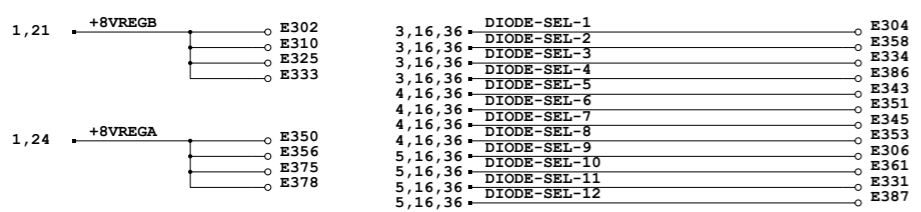
ACSS	SEE FIRST SHEET FOR CONTRACT NUMBER. USE OR DISCLOSURE OF INFORMATION ON THIS SHEET IS SUBJECT TO THE RESTRICTIONS ON THE FIRST SHEET OF THIS DOCUMENT.	SIZE E	CAGE CODE 1WYD3	DRAWING NO. 7517945-905	REV 1
	SCALE	SHEET 31			

DRAWING NO. 7517945-905 SHEET 31



MTL & SLOPE ADJUST
 SCHEMATIC DIAGRAM SHEET NO. 28

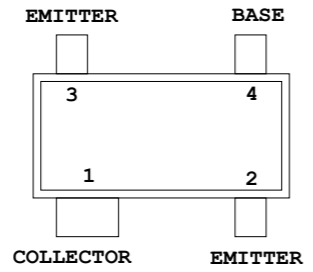
COMPUTER GENERATED



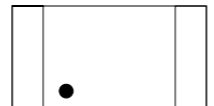
CONNECTOR PIN SUMMARY
AND SPARE COMPONENTS.
CAD/REQUIREMENT/REFERENCE.

SCHEMATIC DIAGRAM SHEET NO. 29

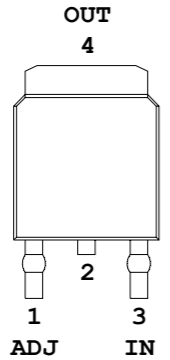
COMPUTER GENERATED



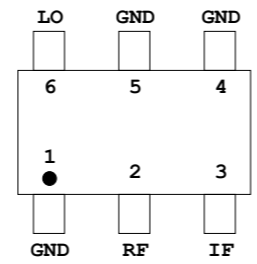
XSTR68
DEVICE: MRF9511
(HPN 7500069-303)



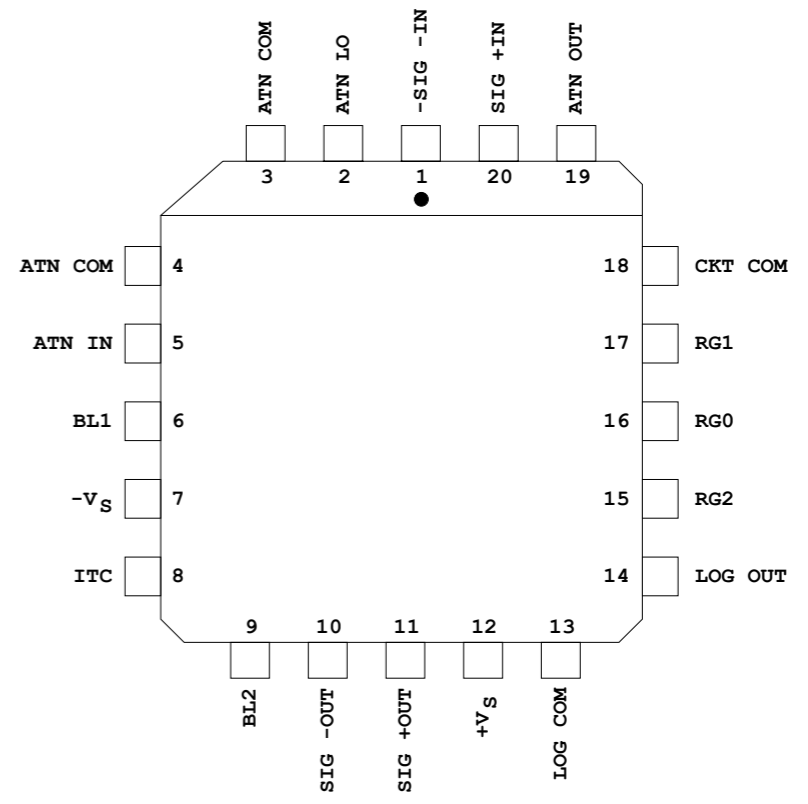
1072M1
DEVICE: GC41982
(HPN 7023353-1)



DPAK
TO-252AA
NOTE: PIN 2 IS CONNECTED
TO PIN 4. ALSO, PIN 2
DOES NOT MOUNT TO PWB
DEVICE: LM317
(HPN 7018406-317)



BH292
DEVICE: JMS-11X
(HPN 7023338-1)



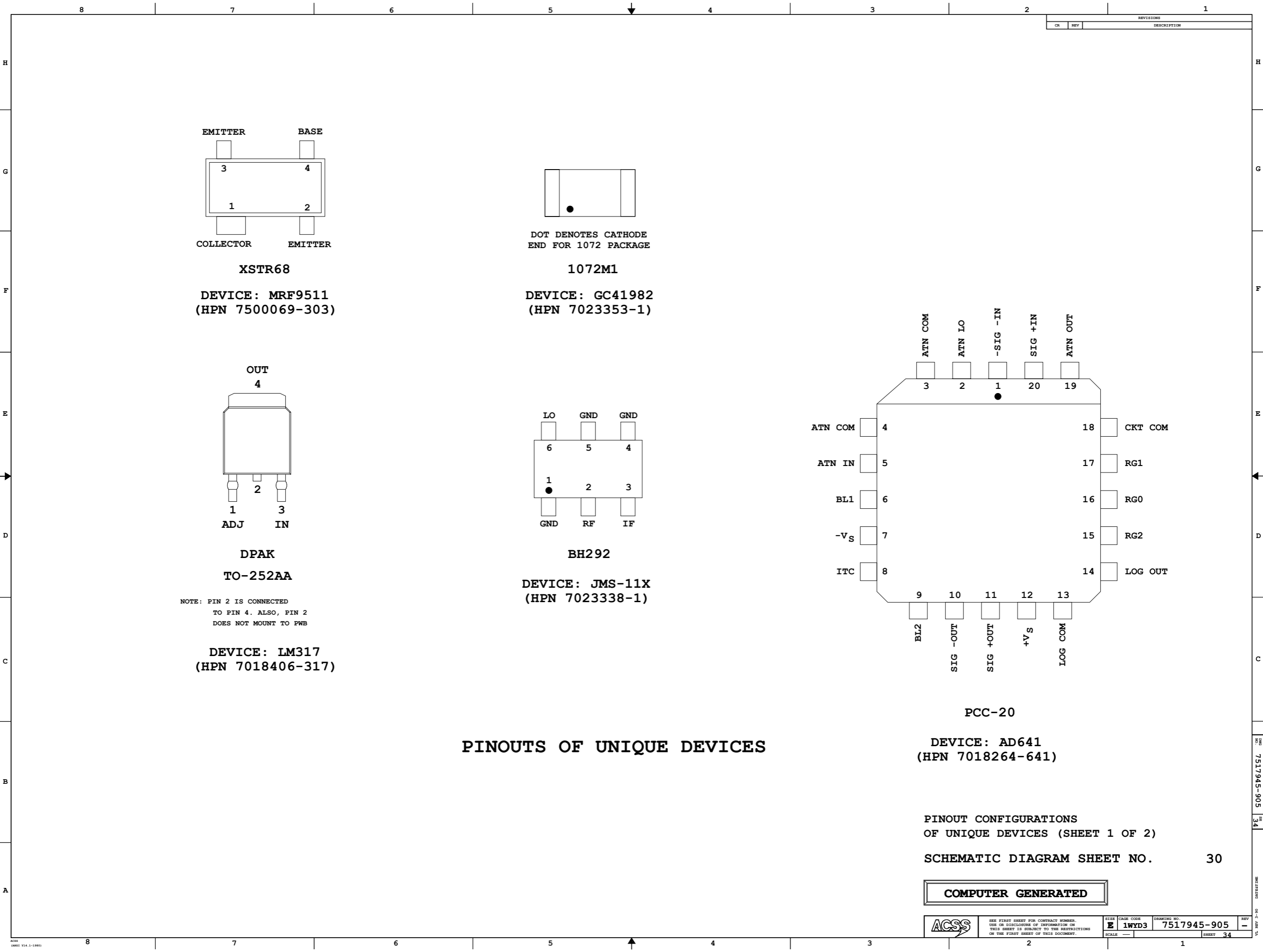
PCC-20
DEVICE: AD641
(HPN 7018264-641)

PINOOTS OF UNIQUE DEVICES

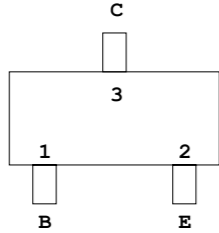
PINOUT CONFIGURATIONS
OF UNIQUE DEVICES (SHEET 1 OF 2)

SCHEMATIC DIAGRAM SHEET NO. 30

COMPUTER GENERATED

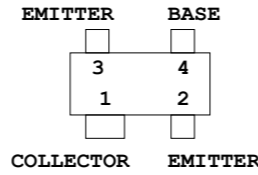


REV. NO.		DESCRIPTION	DATE
008490	B	ADDED ITEM TO SOT-143.	04/30/2005



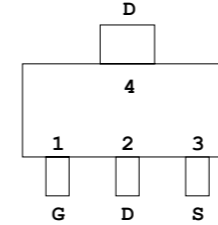
SOT-23

DEVICE: MMBT2907A
(HPN 7012043-106)



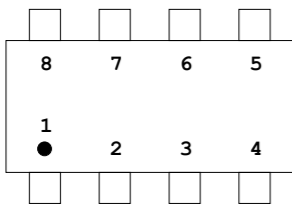
SOT-143

DEVICE: AT-41511
(HPN 7017937-511)
(HPN 7500069-303)



SOT-223

DEVICE: IRL110
(HPN 7012992-110)



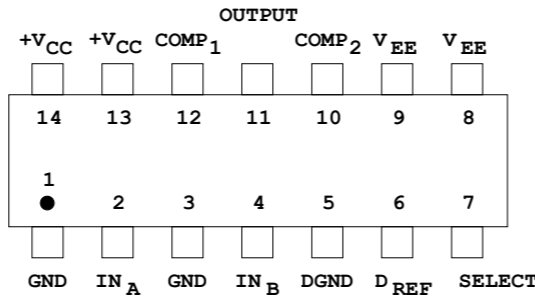
SO-8

DEVICE: CLC406
(HPN 7012044-122)

DEVICE: MMC12054
(HPN 7019359-54)

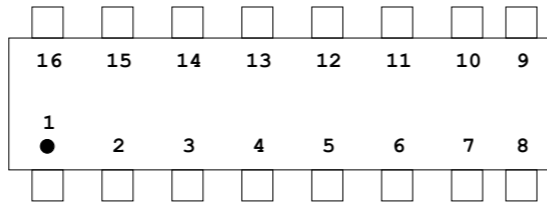
DEVICE: MMC12093
(HPN 7018454-93)

DEVICE: LM833
(HPN 7012044-210)



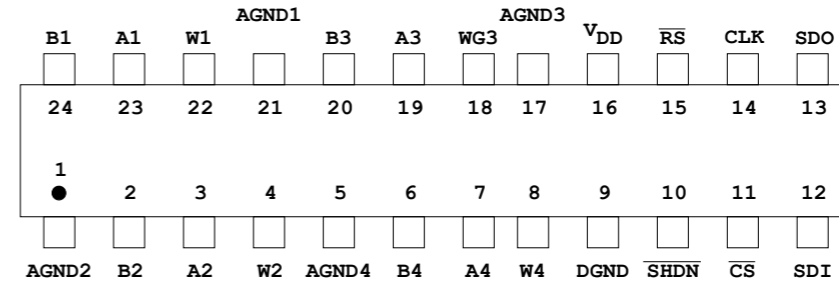
SO-14

DEVICE: LM2901
(HPN 7013101-402)



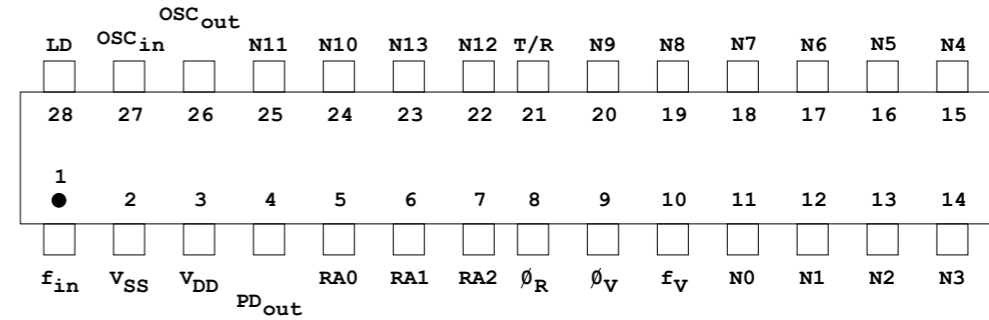
SOL-16

DEVICE: MAX901
(HPN 7013101-404)
DEVICE: 74HCT157
(HPN 7500059-157)



SOL-24

DEVICE: AD8403
(HPN 7023580-410)



SOL-28

DEVICE: 145151
(HPN 7500404-251)

PINOUTS OF UNIQUE DEVICES

PINOUT CONFIGURATIONS
OF UNIQUE DEVICES

SCHEMATIC DIAGRAM SHEET NO. 31

COMPUTER GENERATED

DRAWING NO. 7517945-905 SHEET 35