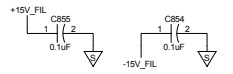
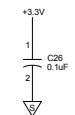
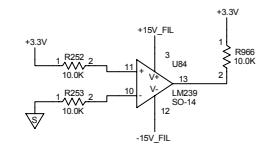
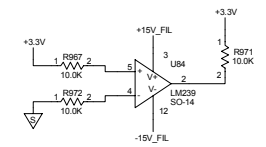
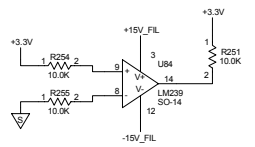
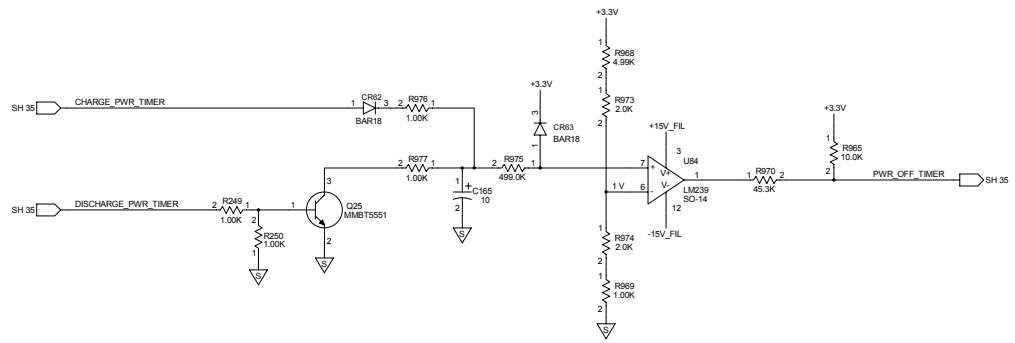
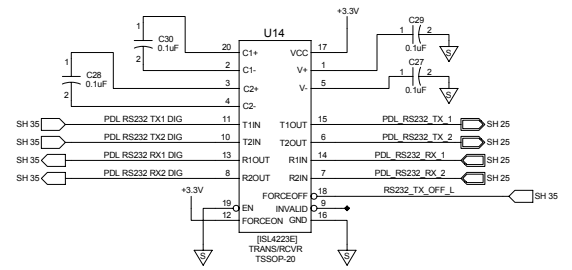


DWG. NO.	9003020-003	SH.	41	REV.	
REVISIONS					
REV.	DESCRIPTION				

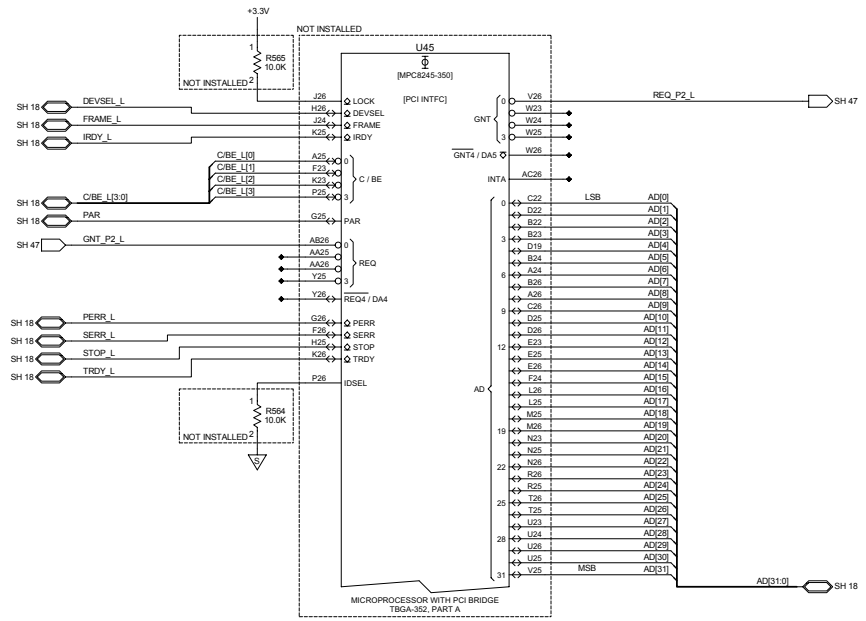


P1 PROCESSOR  
 RS232 INTERFACE, 3.3V POWER RESET TIMER  
 SHEET NO. 12 OF 12

COMPUTER GENERATED

ACSS	SEE FIRST SHEET FOR CONTRACT NUMBER. USE OR DISCLOSURE OF INFORMATION ON THIS SHEET IS SUBJECT TO THE RESTRICTIONS ON THE FIRST SHEET OF THIS DOCUMENT.	SIZE	D	CAGE CODE	1WYD3	DWG. NO.	9003020-003	REV.	-
	SCALE	NONE		SHEET		41			

REVISIONS	
REV	DESCRIPTION

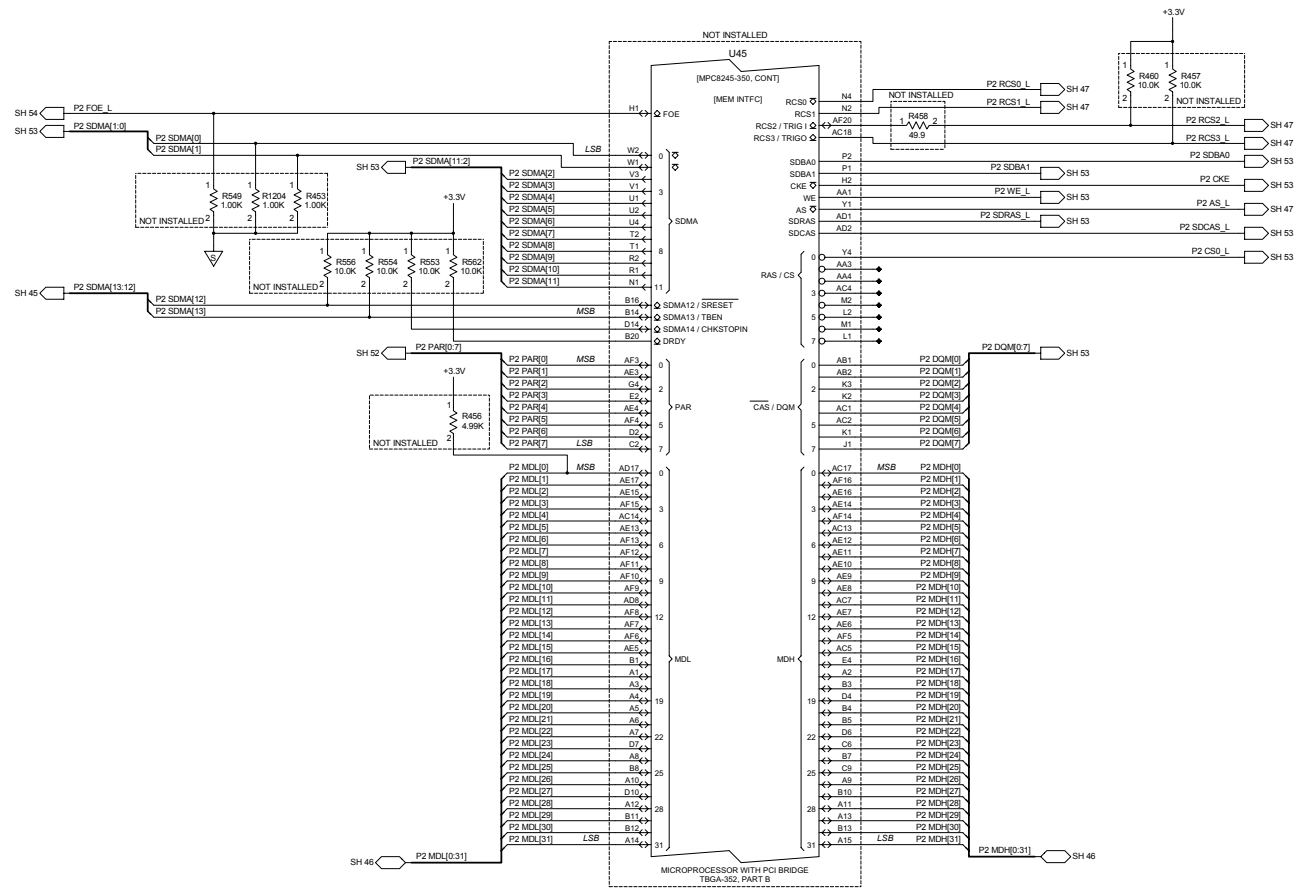


P2 PROCESSOR - MPC8245  
 PCI INTERFACE  
 SHEET NO. 1 OF 13

COMPUTER GENERATED

<b>ACSS</b>	SEE FIRST SHEET FOR CONTRACT NUMBER. USE OR DISCLOSURE OF INFORMATION ON THIS SHEET IS SUBJECT TO THE RESTRICTIONS ON THE FIRST SHEET OF THIS DOCUMENT.	SIZE	CAGE CODE	DWG. NO.	REV
		D	1WYD3	9003020-003	-
SCALE: NONE		SHEET		42	

REVISIONS	
REV	DESCRIPTION

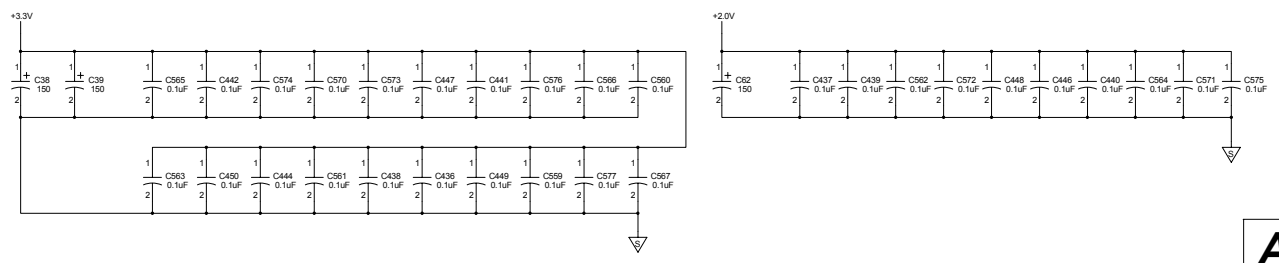
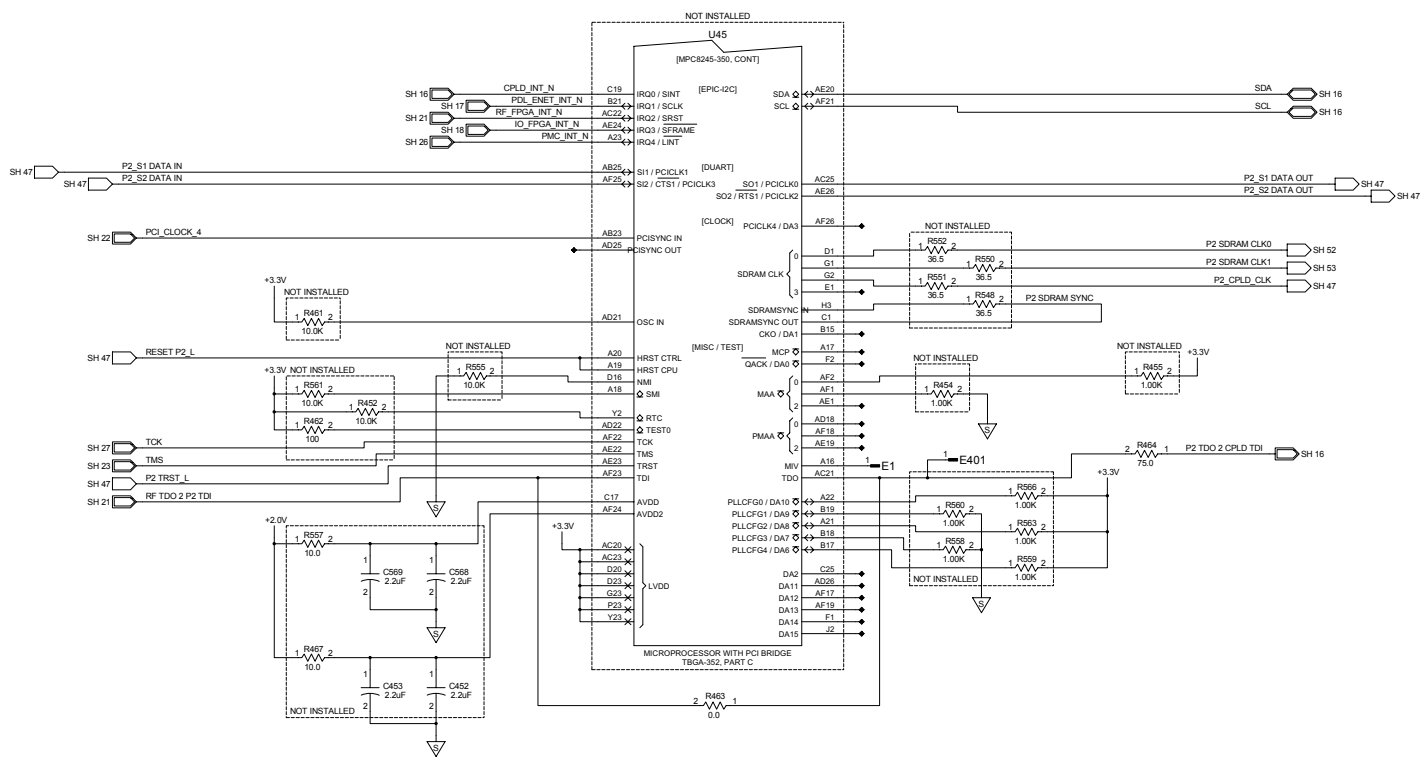


P2 PROCESSOR - MPC8245  
 MEMORY INTERFACE  
 SHEET NO. 2 OF 13

COMPUTER GENERATED

<b>ACSS</b>	SEE FIRST SHEET FOR CONTRACT NUMBER, USE OR DISCLOSURE OF INFORMATION ON THIS SHEET IS SUBJECT TO THE RESTRICTIONS ON THE FIRST SHEET OF THIS DOCUMENT.	SIZE: <b>D</b>	CAGE CODE: <b>1WYD3</b>	DWG. NO.: <b>9003020-003</b>	REV: <b>-</b>
	SCALE: NONE	SHEET 43		SHEET 43	

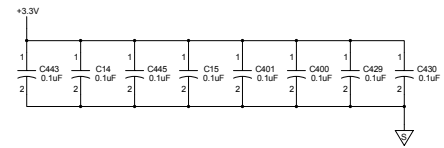
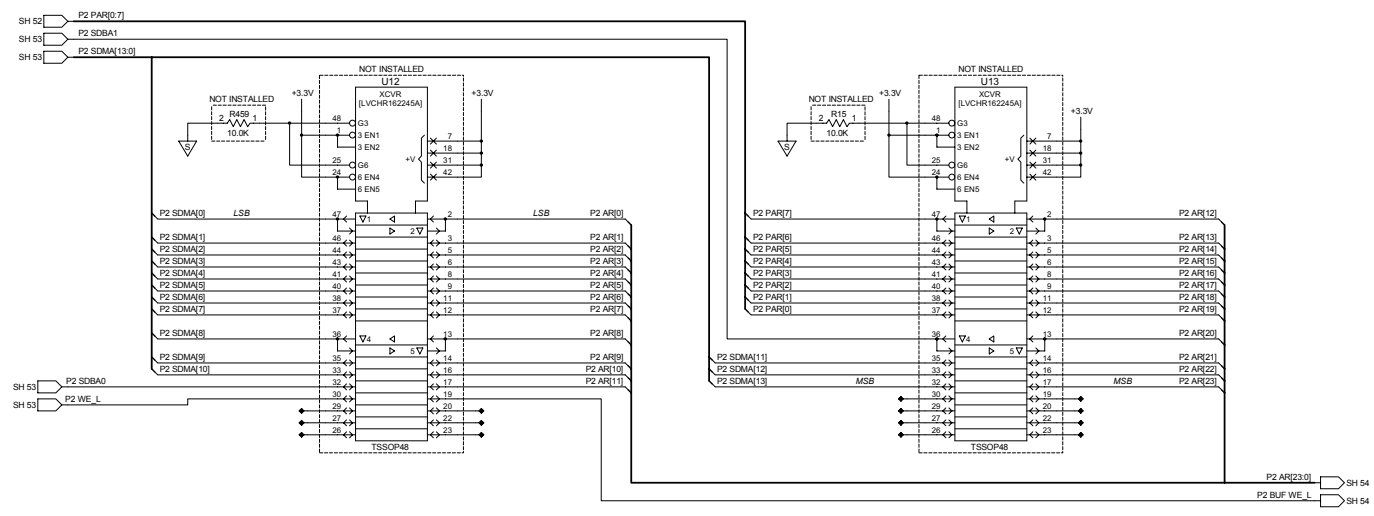
REVISIONS	
REV	DESCRIPTION



P2 PROCESSOR - MPC8245  
 INT, CLK, DUART, SYS, I2C,  
 DEBUG & TST INTERFACE  
 SHEET NO. 3 OF 13

COMPUTER GENERATED

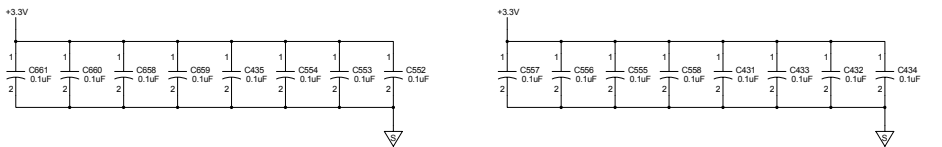
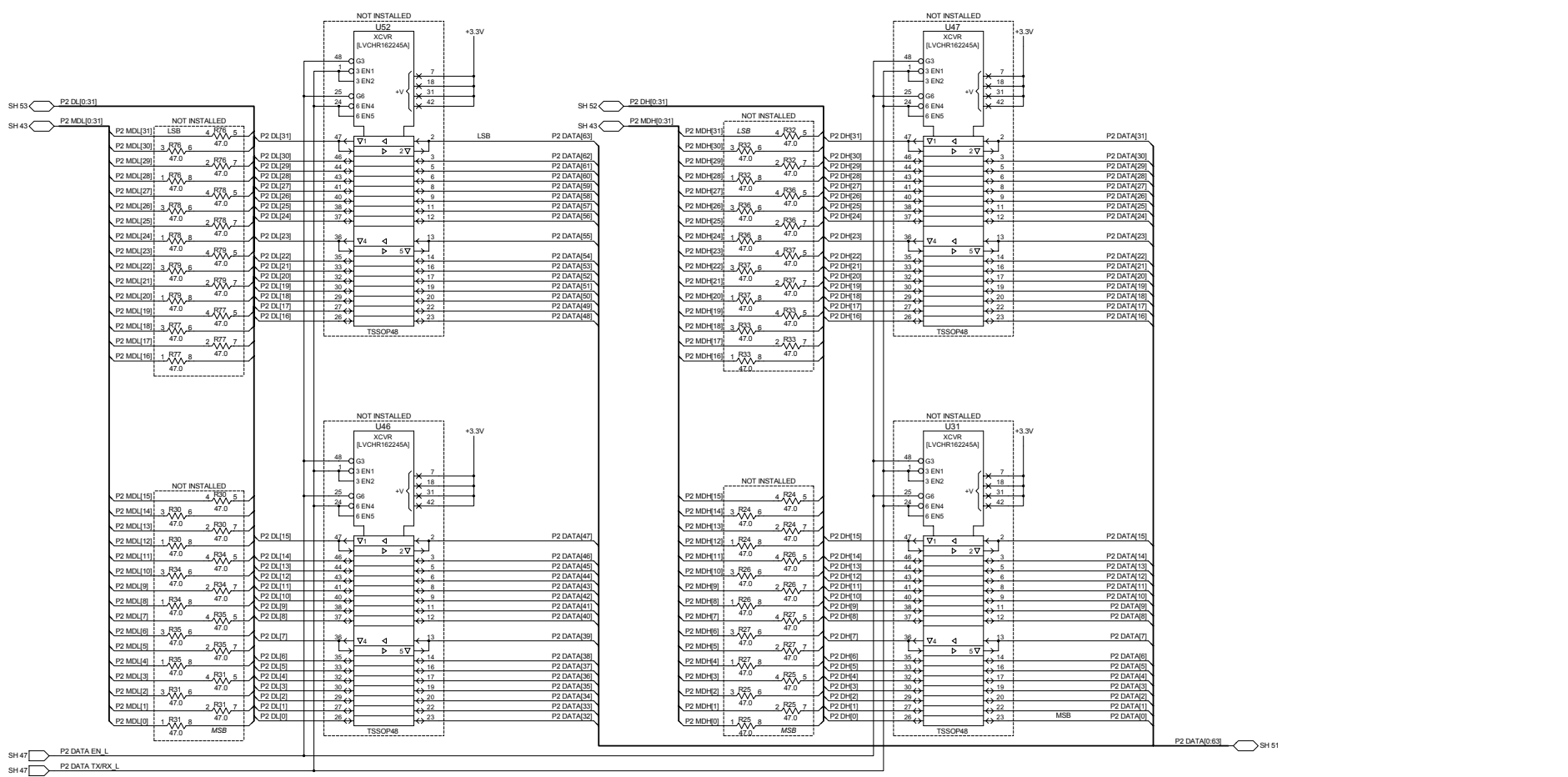
REVISIONS	
REV	DESCRIPTION



P2 PROCESSOR - ADDRESS BUS BUFFERS  
SHEET NO. 4 OF 13

COMPUTER GENERATED

REVISIONS	
REV	DESCRIPTION

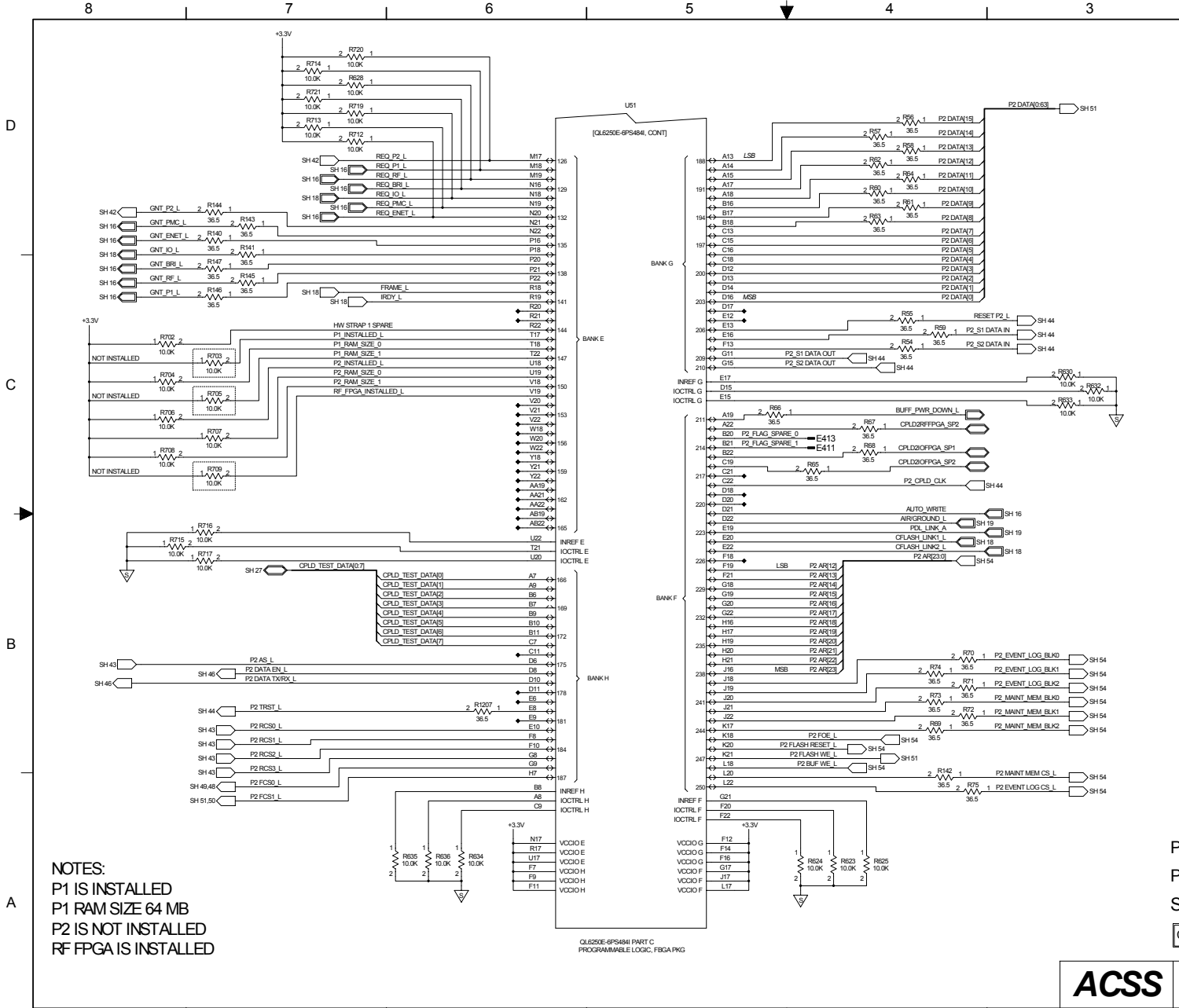


P2 PROCESSOR - DATA BUS BUFFERS  
SHEET NO. 5 OF 13

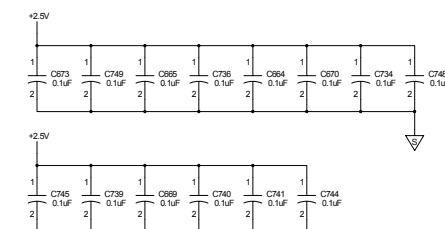
COMPUTER GENERATED

<b>ACSS</b>	SEE FIRST SHEET FOR CONTRACT NUMBER. USE OR DISCLOSURE OF INFORMATION ON THIS SHEET IS SUBJECT TO THE RESTRICTIONS ON THE FIRST SHEET OF THIS DOCUMENT.	SIZE: <b>D</b>	CAGE CODE: <b>1WYD3</b>	DWG NO.: <b>9003020-003</b>	REV: <b>-</b>
	SCALE: NONE	SHEET 46			

REVISIONS			
CRNO.	REV.	DESCRIPTION	
008589	A	Change U51 to part number 9000621-003.	05-05-05
008677	B	Change U51 to part number 9000621-004.	08-29-05
008695	C	Change U51 to part number 9000621-005.	09-14-05



**NOTES:**  
 P1 IS INSTALLED  
 P1 RAM SIZE 64 MB  
 P2 IS NOT INSTALLED  
 RF FPGA IS INSTALLED



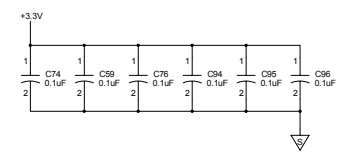
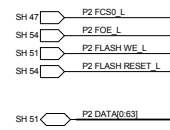
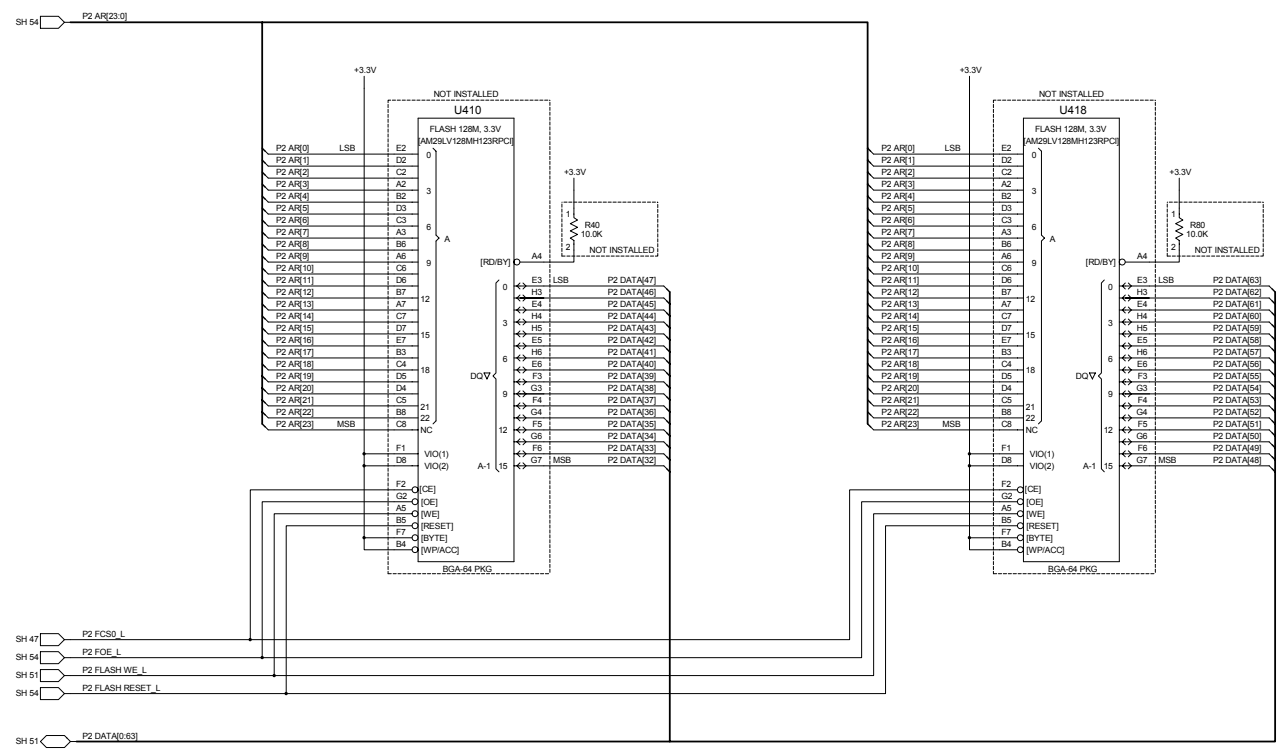
**P2 PROCESSOR**  
**P2 CPLD - DECODE LOGIC**  
 SHEET NO. 6 OF 13

COMPUTER GENERATED





REVISIONS	
REV	DESCRIPTION

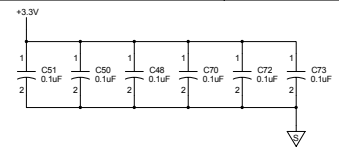
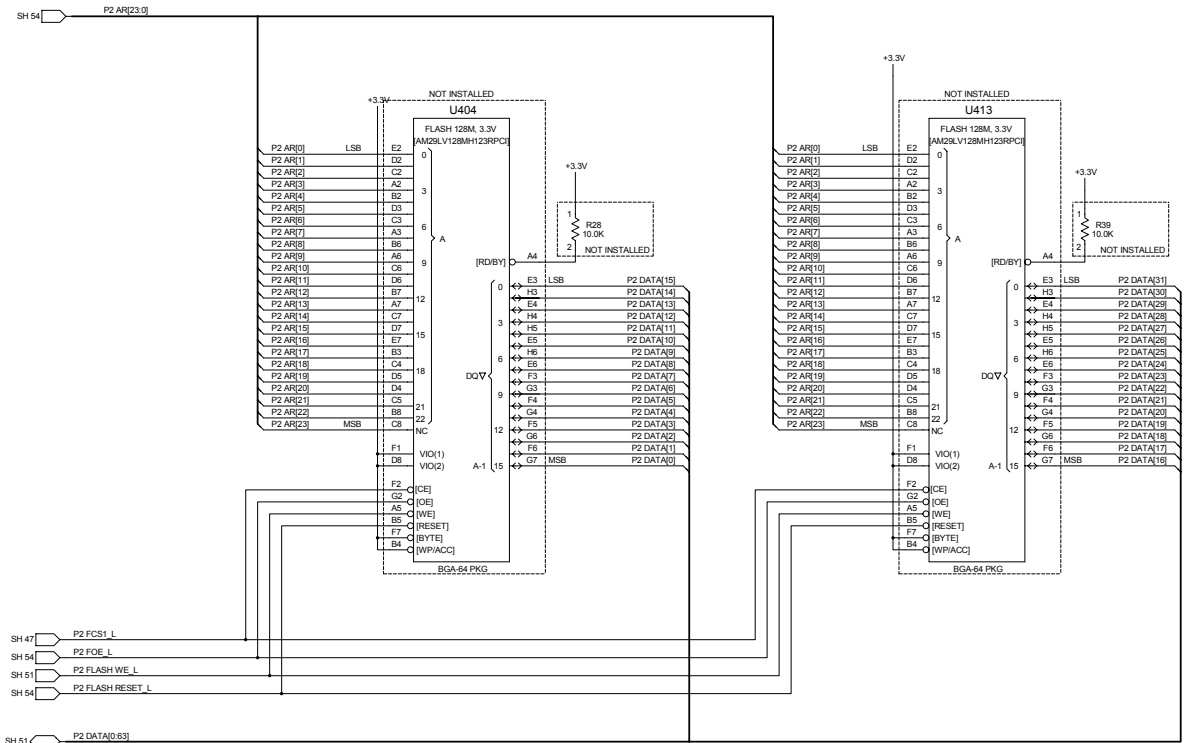


P2 PROCESSOR  
P2 FLASH MEMORY - BANK 1 (2 OF 2)  
SHEET NO. 8 OF 13

COMPUTER GENERATED

<b>ACSS</b>	SEE FIRST SHEET FOR CONTRACT NUMBER. USE OR DISCLOSURE OF INFORMATION ON THIS SHEET IS SUBJECT TO THE RESTRICTIONS ON THE FIRST SHEET OF THIS DOCUMENT.	SIZE: D	CAGE CODE: 1WYD3	DWG. NO.: 9003020-003	REV: -
	SCALE: NONE	SHEET 49			

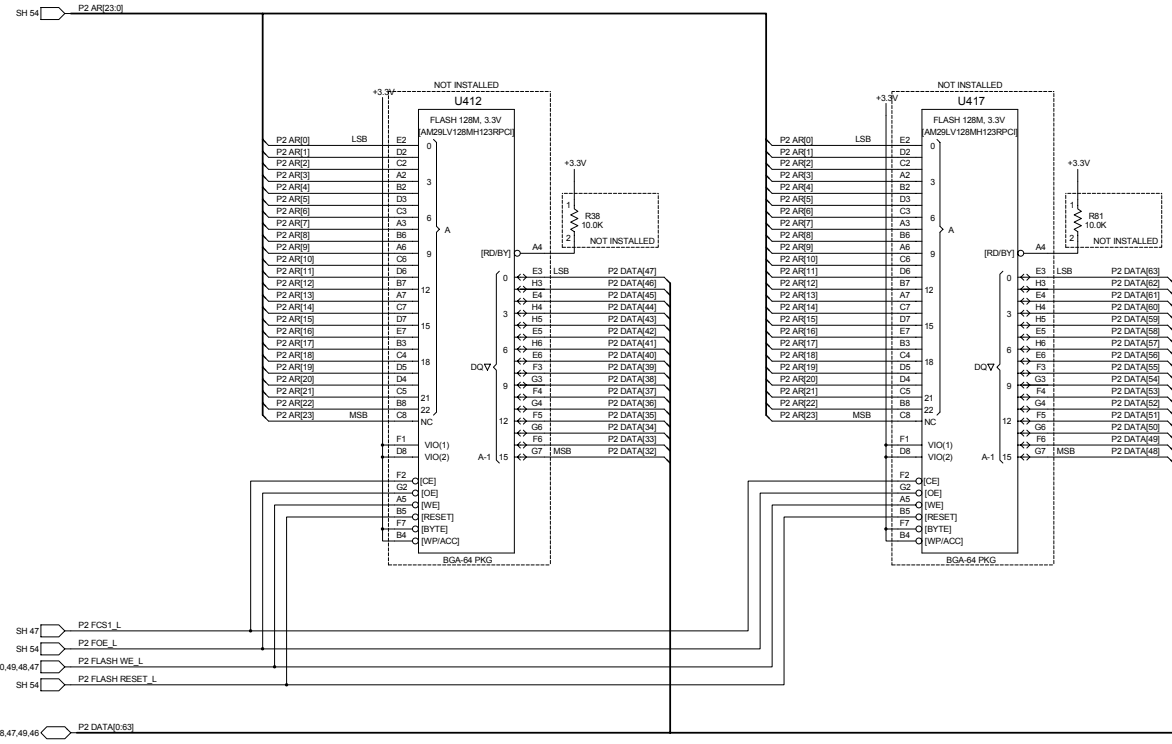
REVISIONS	
REV	DESCRIPTION



P2 PROCESSOR  
P2 FLASH MEMORY - BANK 2 (1 OF 2)  
64M BYTES  
SHEET NO. 9 OF 13

COMPUTER GENERATED

REVISIONS	
REV	DESCRIPTION

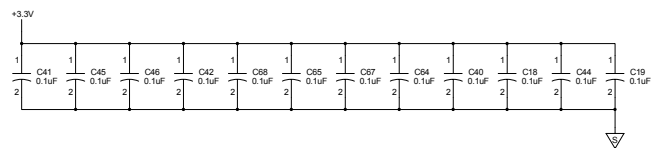
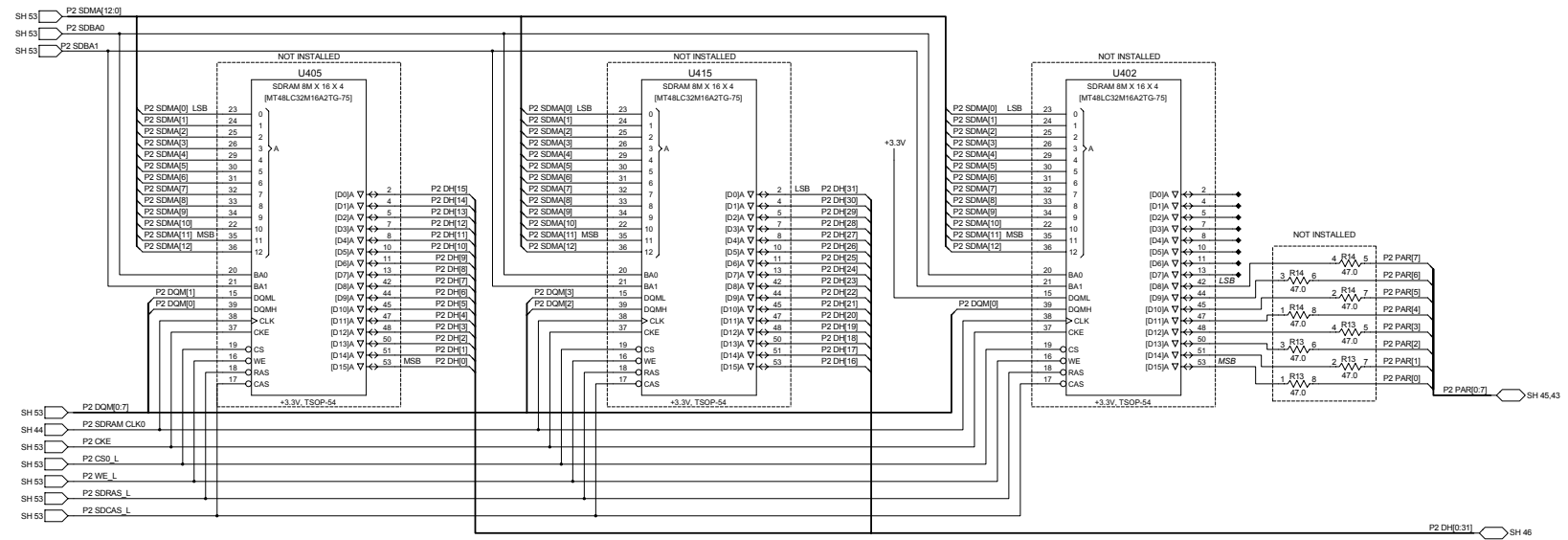


P2 PROCESSOR  
P2 FLASH MEMORY - BANK 2 (2 OF 2)  
SHEET NO. 10 OF 13

COMPUTER GENERATED

<b>ACSS</b>	SEE FIRST SHEET FOR CONTRACT NUMBER. USE OR DISCLOSURE OF INFORMATION ON THIS SHEET IS SUBJECT TO THE RESTRICTIONS ON THE FIRST SHEET OF THIS DOCUMENT.	SIZE	CAGE CODE	DWG. NO.	REV
		D	1WYD3	9003020-003	-
SCALE: NONE		SHEET 51			

REVISONS	
REV	DESCRIPTION

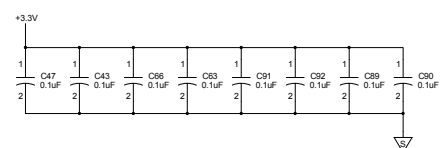
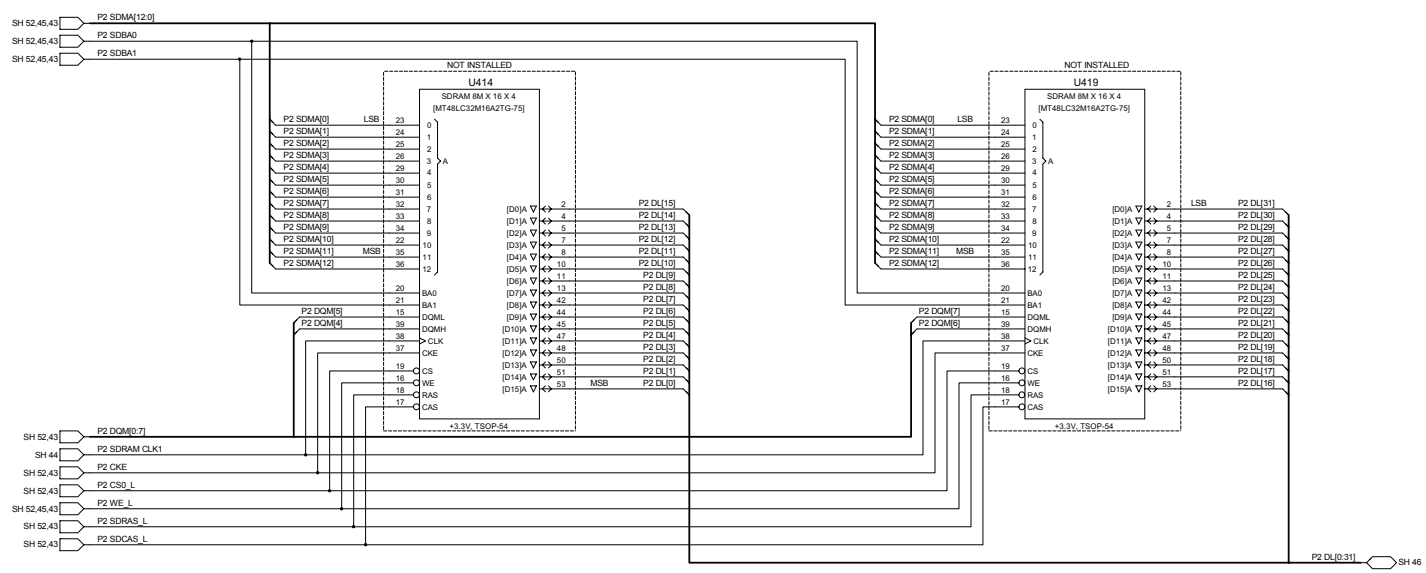


P2 PROCESSOR  
P2 SDRAM MEMORY - 64M BYTES (1 OF 2)  
P2 SDRAM ECC - 16M BYTES  
SHEET NO. 11 OF 13

COMPUTER GENERATED

<b>ACSS</b>	SEE FIRST SHEET FOR CONTRACT NUMBER. USE OR DISCLOSURE OF INFORMATION ON THIS SHEET IS SUBJECT TO THE RESTRICTIONS ON THE FIRST SHEET OF THIS DOCUMENT.	SIZE: D	CAGE CODE: 1WYD3	DWG. NO.: 9003020-003	REV: -
	SCALE: NONE	SHEET 52			

DWG. NO.	9003020-003	SHEET	53	REV	
<b>REVISIONS</b>					
REV	DESCRIPTION				



P2 PROCESSOR  
P2 SDRAM MEMORY - 64M BYTES (2 OF 2)  
SHEET NO. 12 OF 13

COMPUTER GENERATED

ACSS	SEE FIRST SHEET FOR CONTRACT NUMBER. USE OR DISCLOSURE OF INFORMATION ON THIS SHEET IS SUBJECT TO THE RESTRICTIONS ON THE FIRST SHEET OF THIS DOCUMENT.	SIZE	D	CAGE CODE	1WYD3	DWG. NO.	9003020-003	REV	-
	SCALE: NONE		SHEET		53				

REVISIONS	
REV	DESCRIPTION

D

D

C

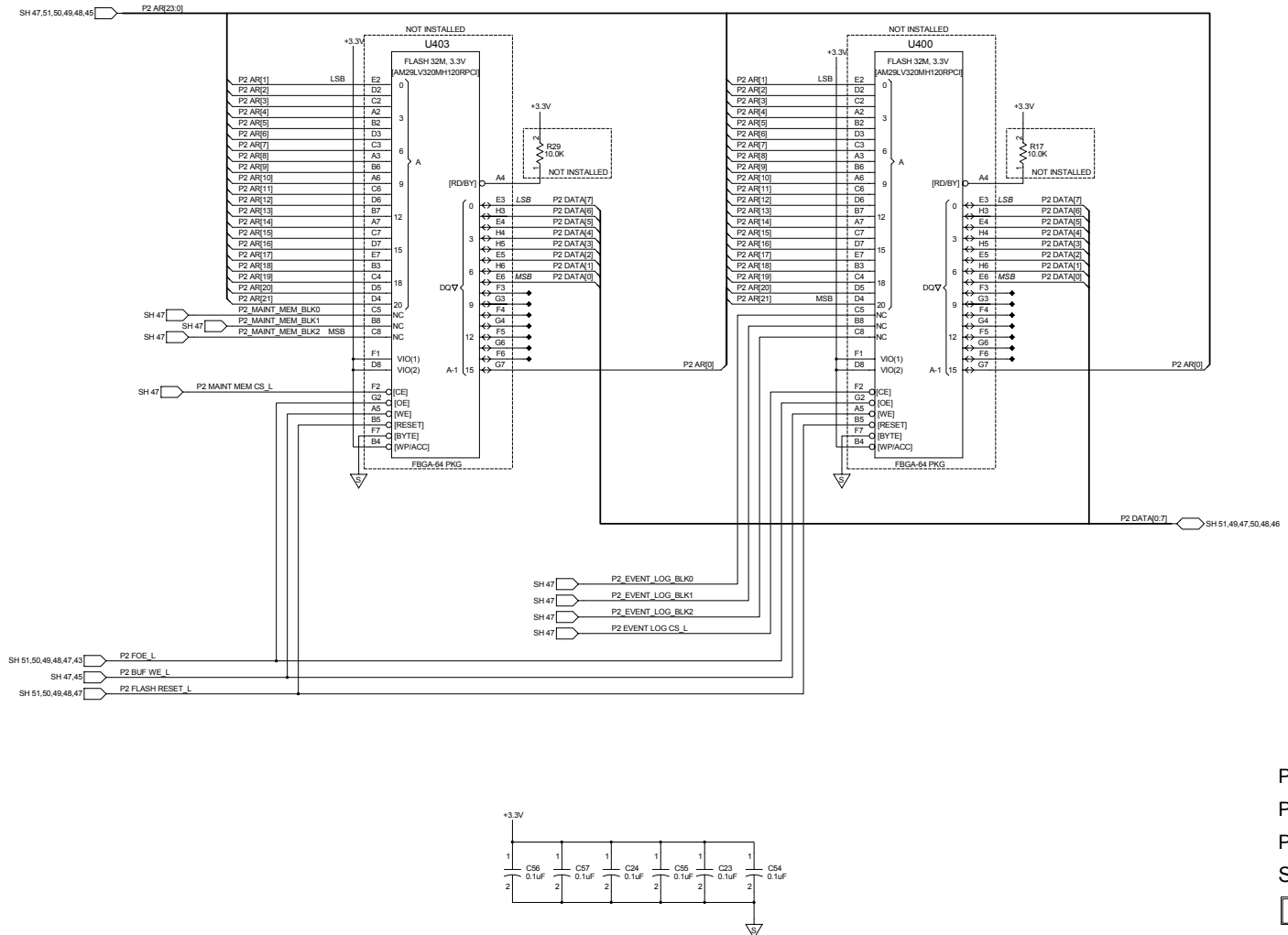
C

B

B

A

A



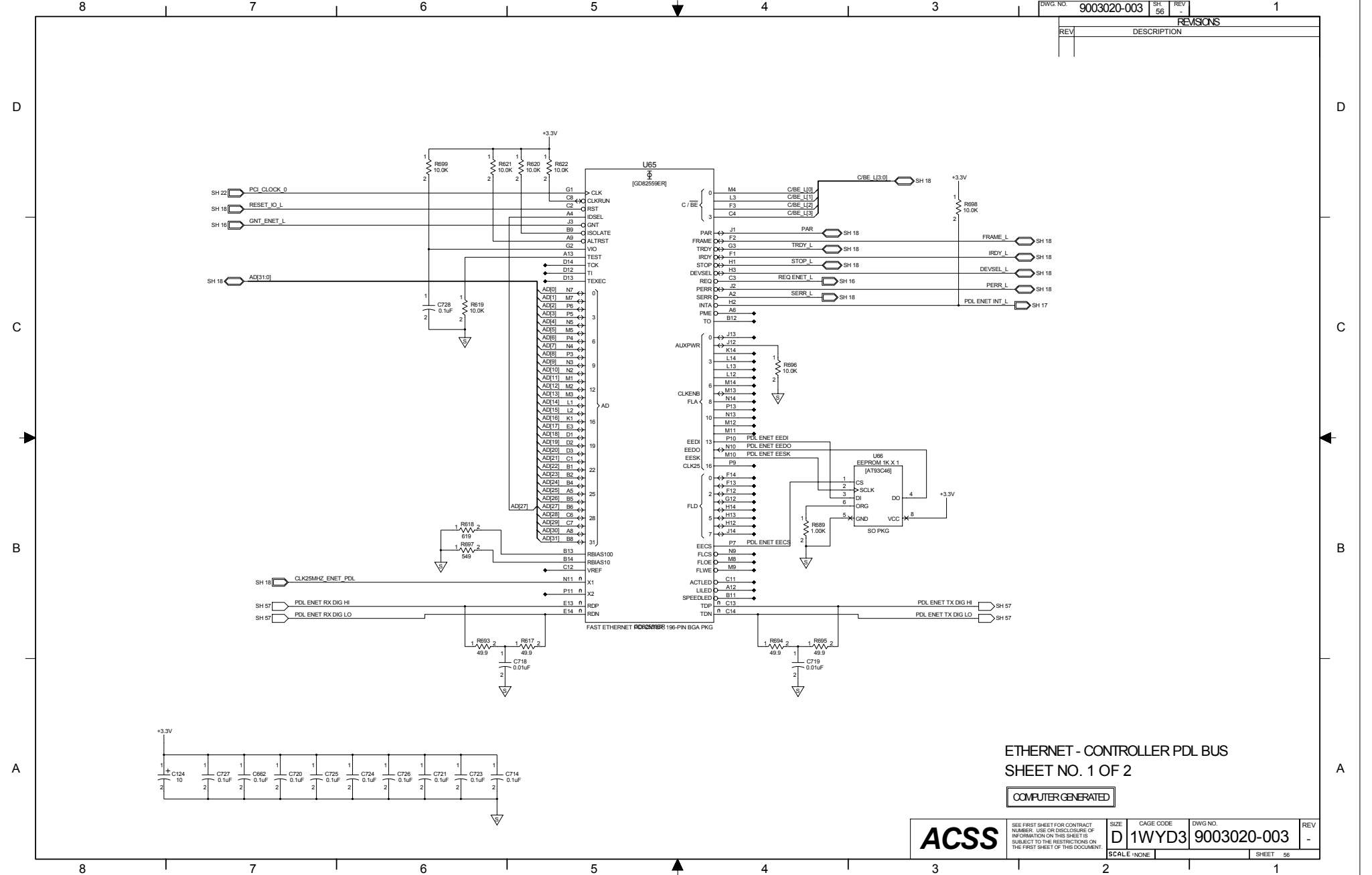
P2 PROCESSOR  
 P2 MAINTENANCE MEMORY - 4M BYTES FLASH  
 P2 EVENT LOG MEMORY - 4M BYTES FLASH  
 SHEET NO. 13 OF 13

COMPUTER GENERATED

<b>ACSS</b>	SEE FIRST SHEET FOR CONTRACT NUMBER. USE OR DISCLOSURE OF INFORMATION ON THIS SHEET IS SUBJECT TO THE RESTRICTIONS ON THE FIRST SHEET OF THIS DOCUMENT.	SIZE	CAGE CODE	DWG. NO.	REV
		D	1WYD3	9003020-003	-
SCALE: NONE		SHEET		54	



REVISONS	
REV	DESCRIPTION



ETHERNET - CONTROLLER PDL BUS  
SHEET NO. 1 OF 2

COMPUTER GENERATED

ACSS	SEE FIRST SHEET FOR CONTRACT NUMBER. USE OR DISCLOSURE OF INFORMATION ON THIS SHEET IS SUBJECT TO THE RESTRICTIONS ON THE FIRST SHEET OF THIS DOCUMENT.	SIZE: D	CAGE CODE: 1WYD3	DWG. NO.: 9003020-003	REV: -
	SCALE: NONE	SHEET 56			



DWG. NO.	9003020-003	SHEET	57	REV	
REVISIONS					
REV	DESCRIPTION				

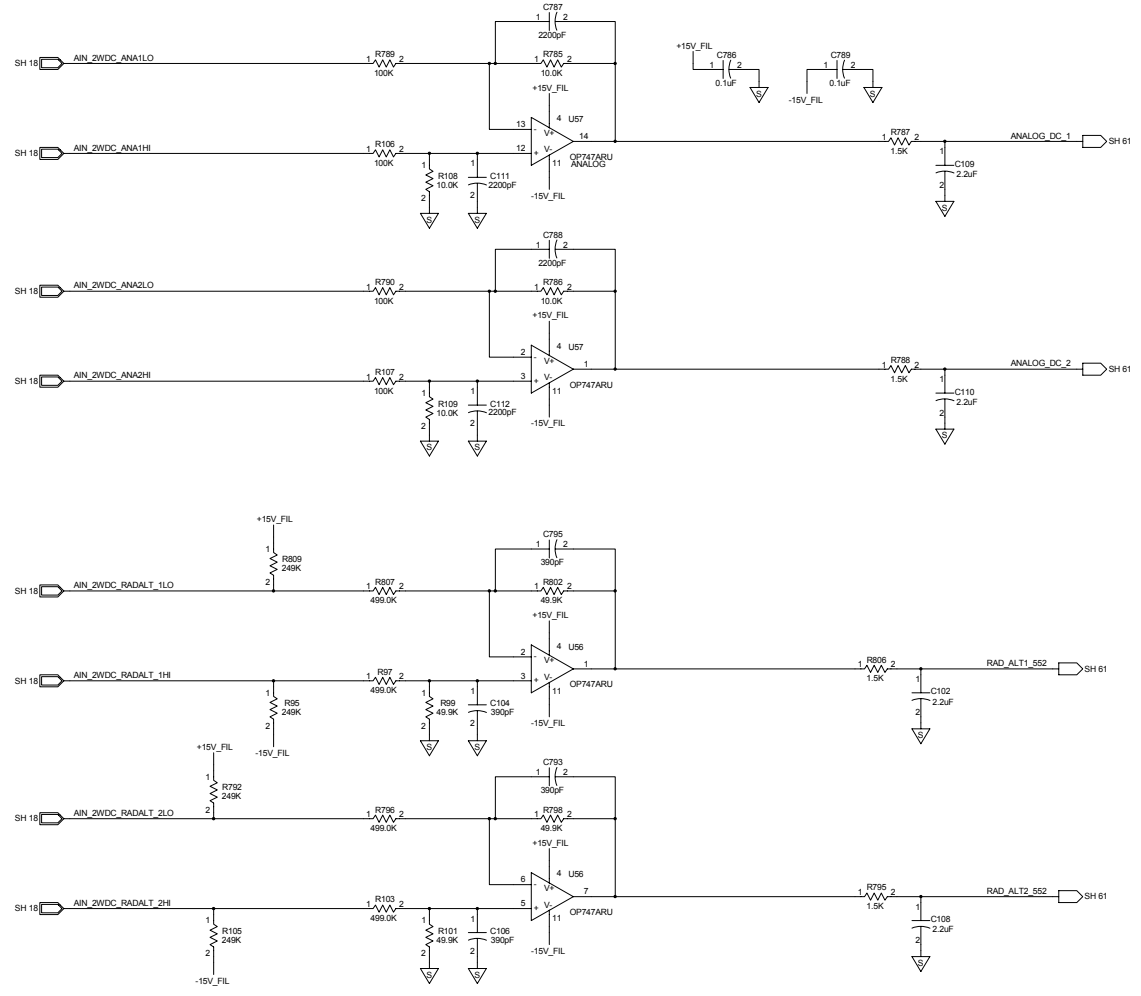


ETHERNET - PDL BUS MAGNETICS  
SHEET NO. 2 OF 2

COMPUTER GENERATED

ACSS	SEE FIRST SHEET FOR CONTRACT NUMBER. USE OR DISCLOSURE OF INFORMATION ON THIS SHEET IS SUBJECT TO THE RESTRICTIONS ON THE FIRST SHEET OF THIS DOCUMENT.	SIZE	CAGE CODE	DWG. NO.	REV
		D	1WYD3	9003020-003	-
SCALE: NONE		SHEET 57			

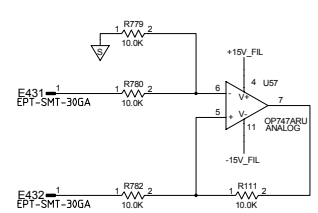
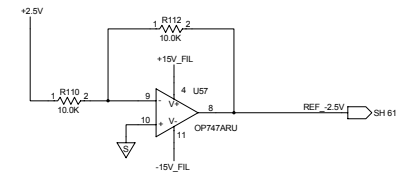
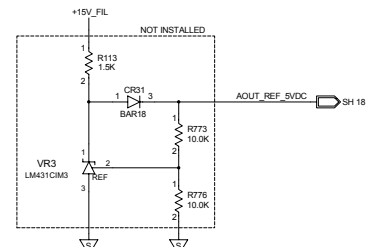
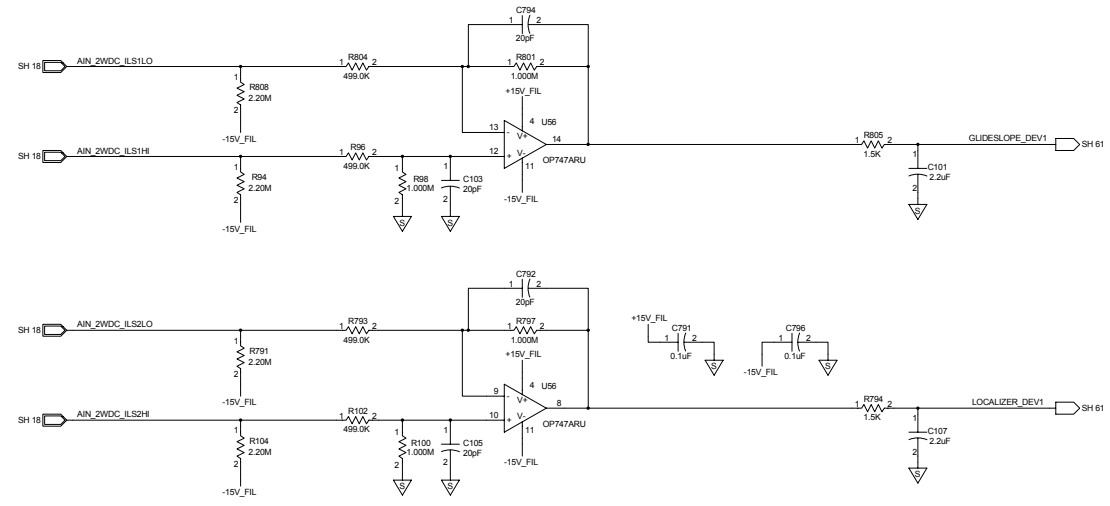
REVISIONS	
REV	DESCRIPTION



INPUT OUTPUT  
 ANALOG INPUTS  
 ANALOG 2-WIRE DC INPUTS  
 ANALOG 2-WIRE DC INPUTS (DEDICATED)  
 SHEET 1 OF 11

COMPUTER GENERATED

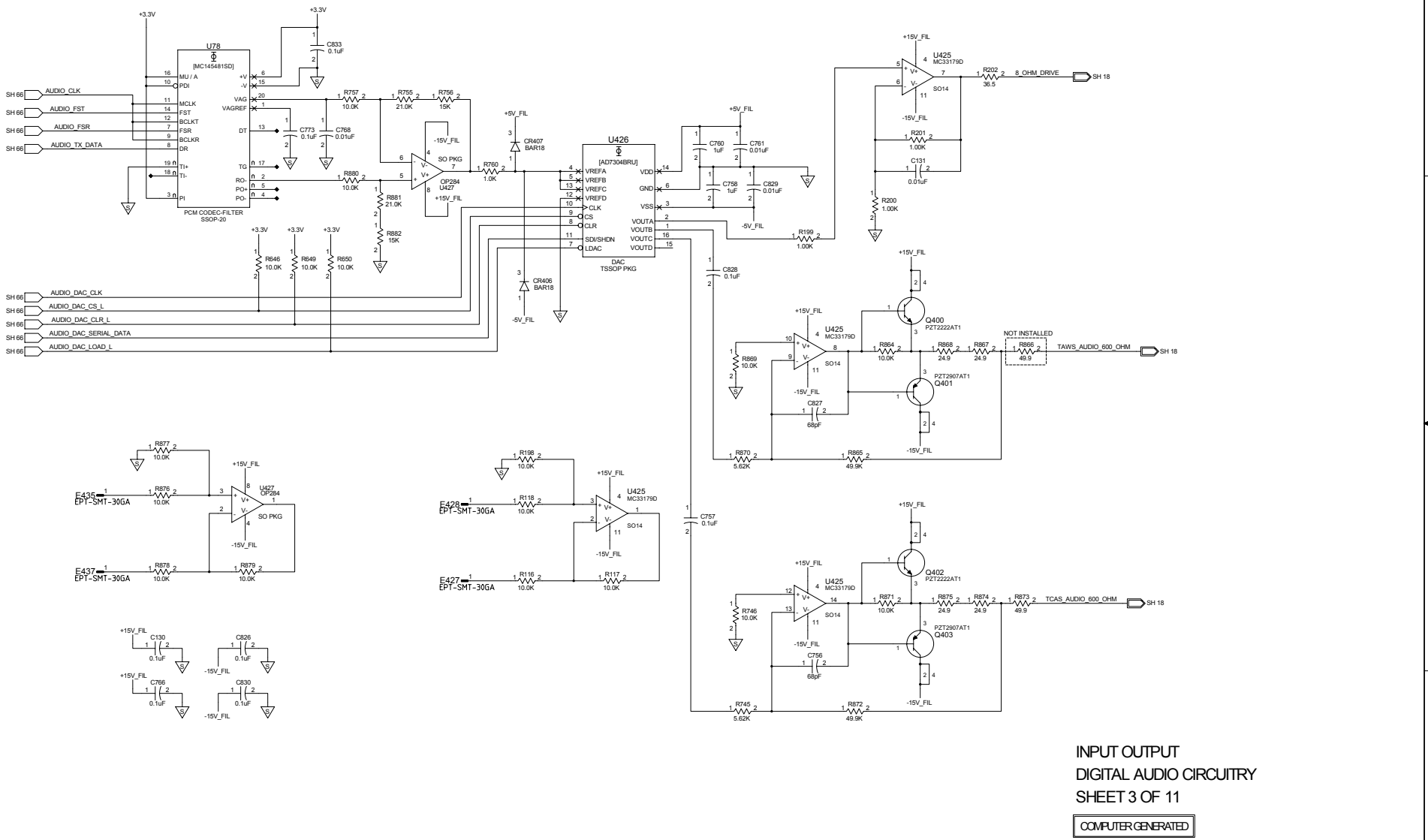
REVISIONS	
REV	DESCRIPTION



INPUT OUTPUT  
 ANALOG INPUTS  
 DC 5 & +/- 2.5 VOLT REFERENCE INPUTS  
 ANALOG 2-WIRE DC INPUTS (DEDICATED)  
 SHEET 2 OF 11

COMPUTER GENERATED

REVISED	
REV	DESCRIPTION

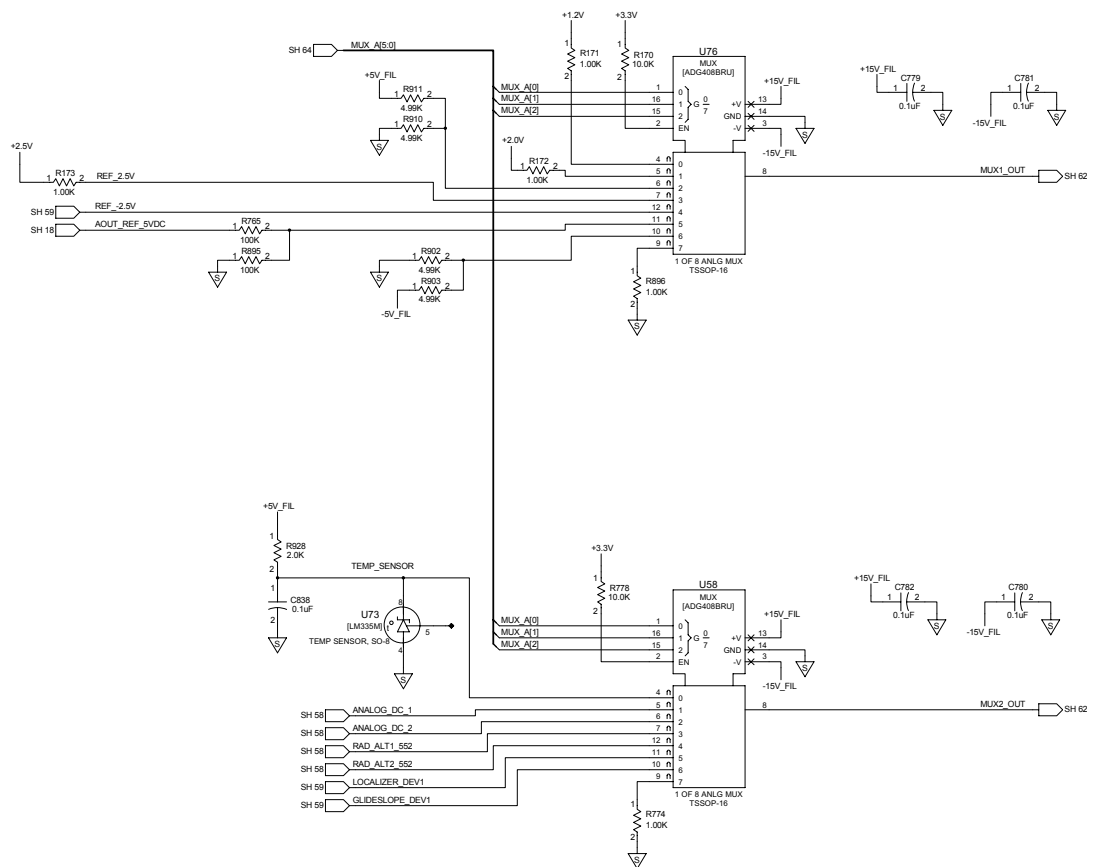


INPUT OUTPUT  
DIGITAL AUDIO CIRCUITRY  
SHEET 3 OF 11

COMPUTER GENERATED

<b>ACSS</b>	SEE FIRST SHEET FOR CONTRACT NUMBER. USE OR DISCLOSURE OF INFORMATION ON THIS SHEET IS SUBJECT TO THE RESTRICTIONS ON THE FIRST SHEET OF THIS DOCUMENT.	SIZE: <b>D</b>	CAGE CODE: <b>1WYD3</b>	DWG. NO.: <b>9003020-003</b>	REV: <b>-</b>
	SCALE: NONE	SHEET 80			

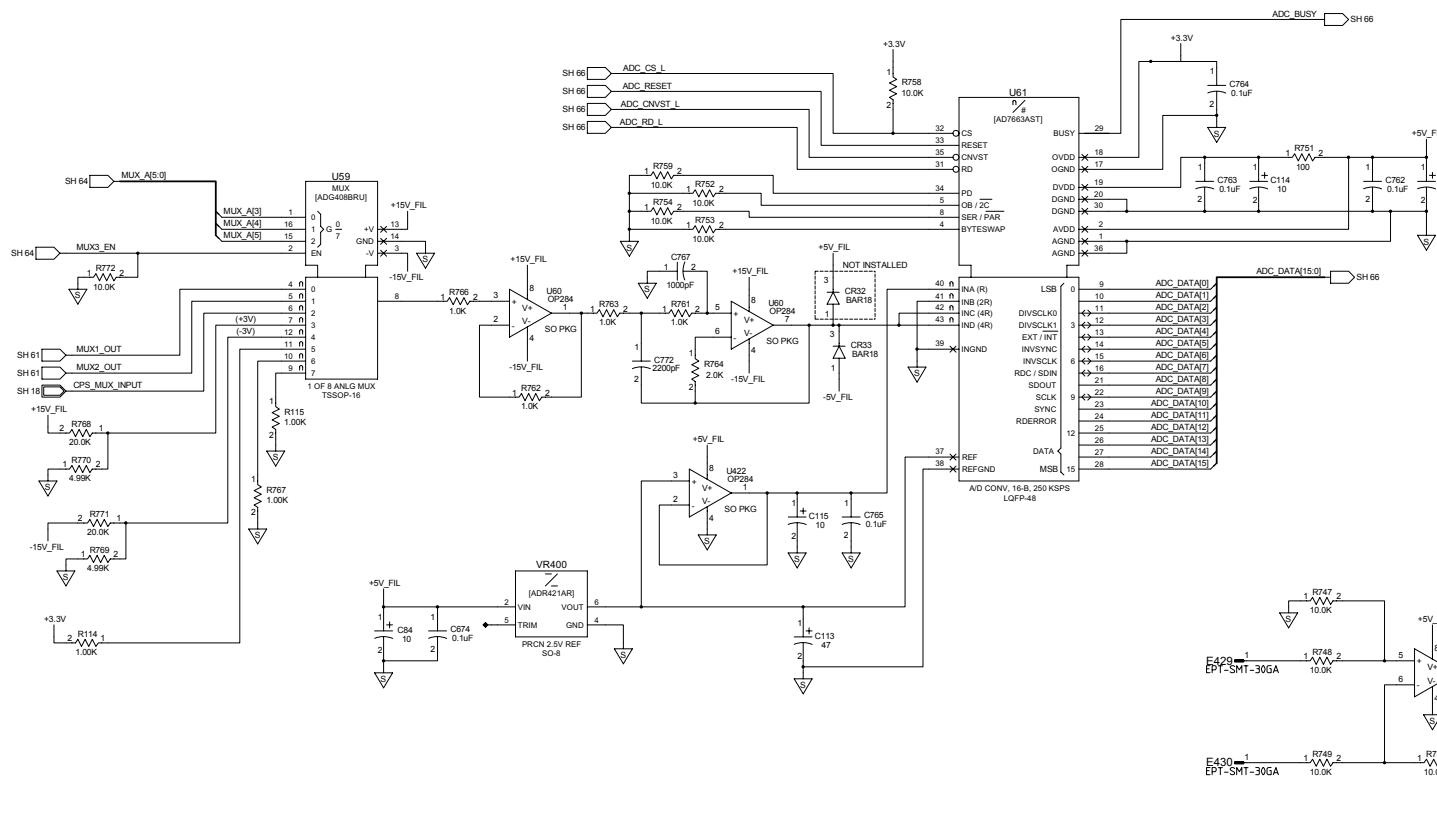
REVISIONS	
REV	DESCRIPTION



INPUT OUTPUT  
 ANALOG INPUTS  
 ANALOG MULTIPLEXERS  
 SHEET 4 OF 11

COMPUTER GENERATED

REVISONS	
REV	DESCRIPTION

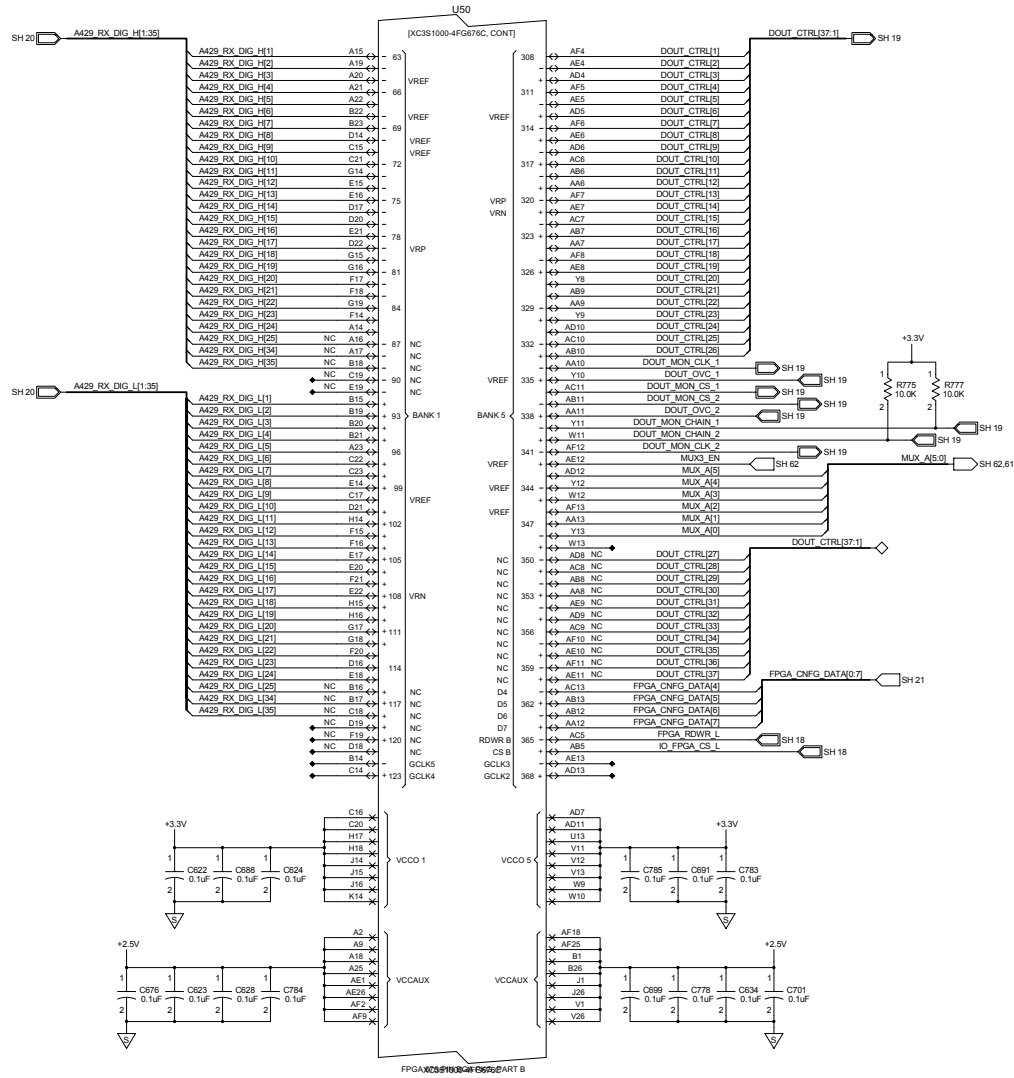


INPUT OUTPUT  
 ANALOG INPUTS  
 ANALOG TO DIGITAL CONVERTER  
 SHEET 5 OF 11

COMPUTER GENERATED



REVISIONS	
REV	DESCRIPTION

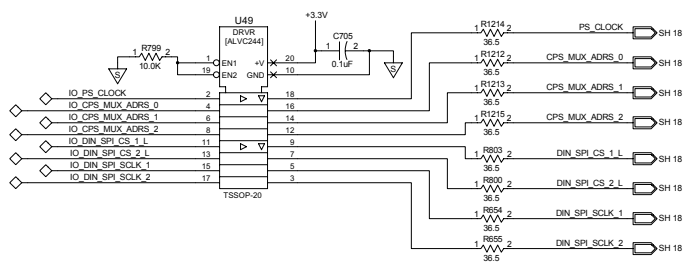
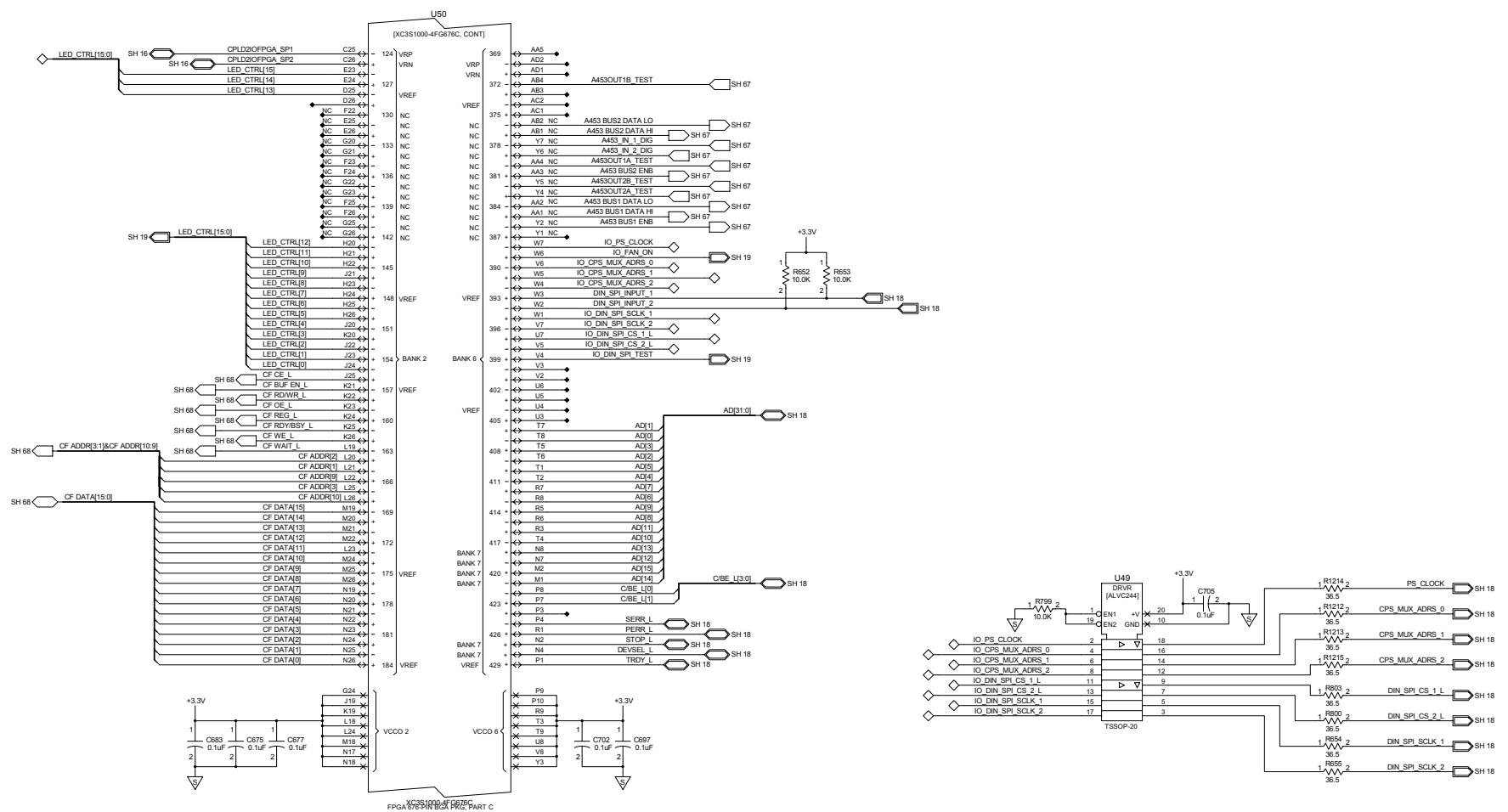


INPUT OUTPUT  
I/O FPGA - PART2  
SHEET 7 OF 11

COMPUTER GENERATED



REV	DESCRIPTION



INPUT OUTPUT  
I/O FPGA - PART3  
SHEET 8 OF 11

COMPUTER GENERATED

REVISIONS	
REV	DESCRIPTION

8 7 6 5 4 3 2 1

D

D

C

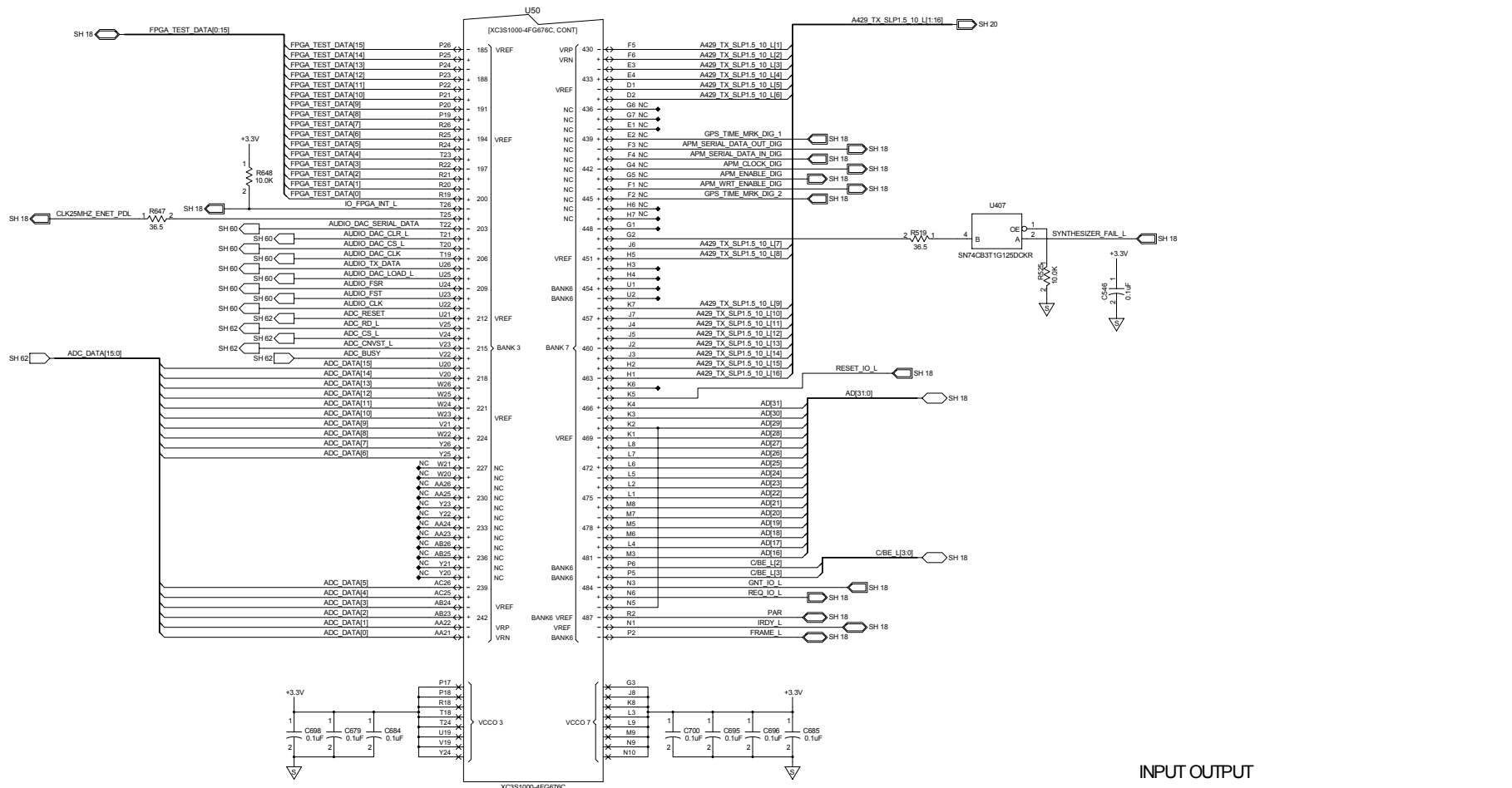
C

B

B

A

A



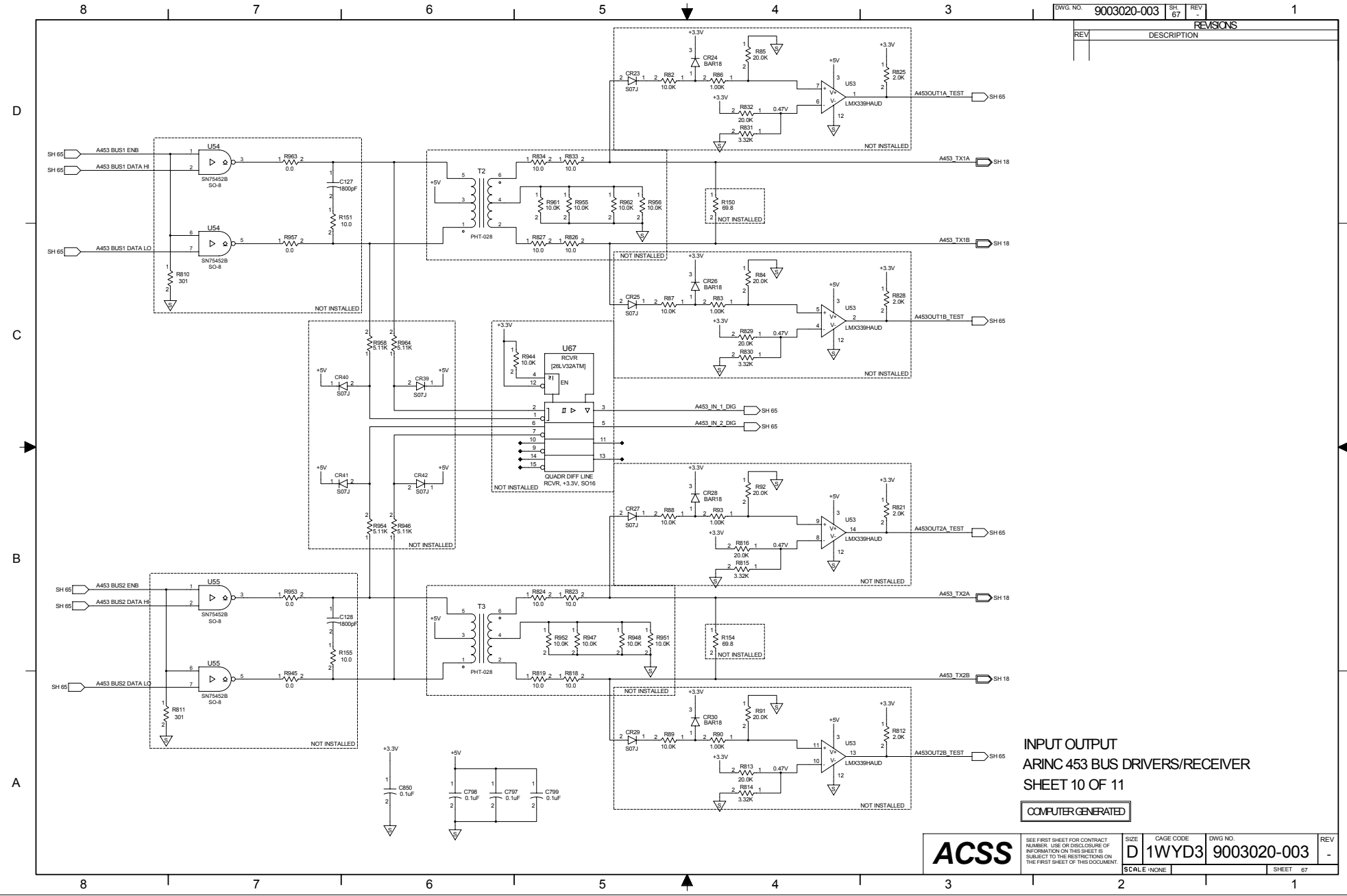
INPUT OUTPUT  
I/O FPGA - PART4  
SHEET 9 OF 11

COMPUTER GENERATED

<b>ACSS</b>	SEE FIRST SHEET FOR CONTRACT NUMBER. USE OR DISCLOSURE OF INFORMATION ON THIS SHEET IS SUBJECT TO THE RESTRICTIONS ON THE FIRST SHEET OF THIS DOCUMENT.	SIZE: <b>D</b>	CAGE CODE: <b>1WYD3</b>	DWG NO.: <b>9003020-003</b>	REV: <b>-</b>
	SCALE: NONE	SHEET 86			

8 7 6 5 4 3 2 1

REV	DESCRIPTION



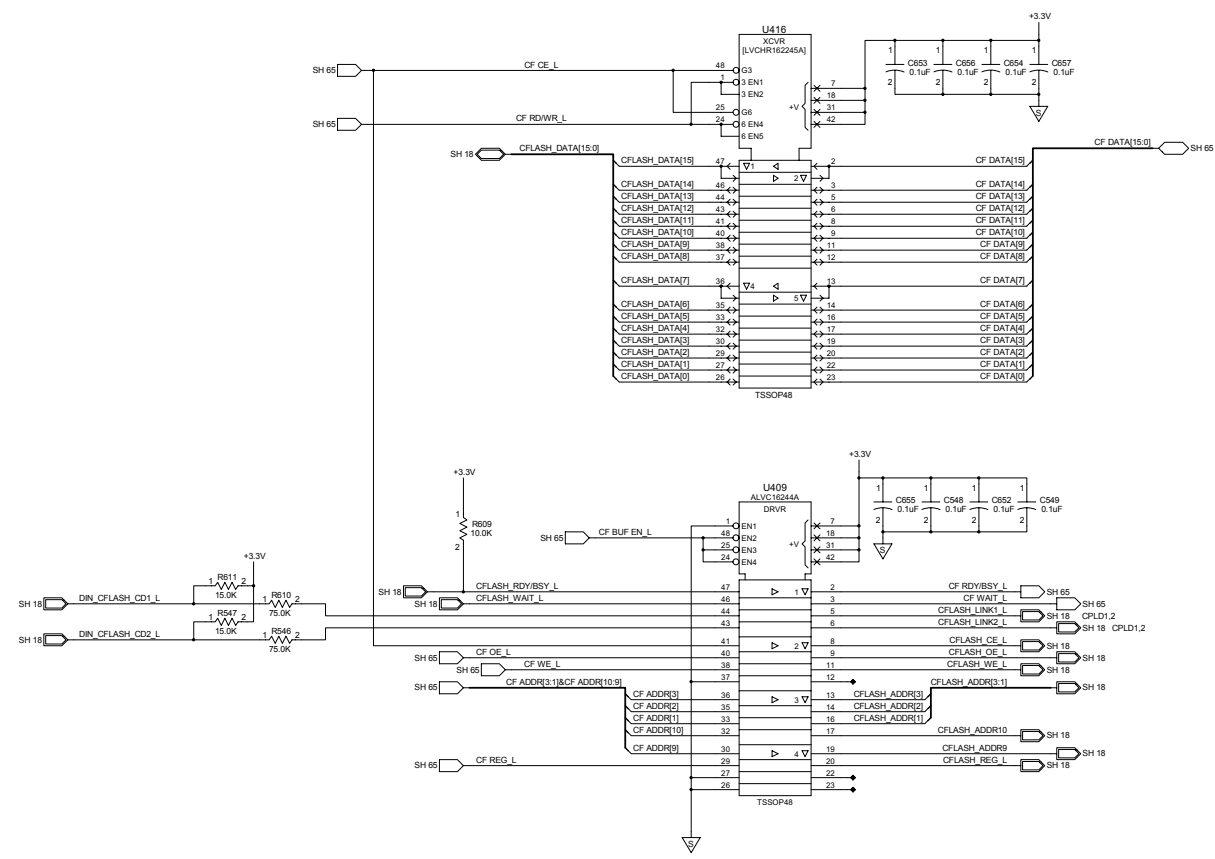
INPUT OUTPUT  
ARINC 453 BUS DRIVERS/RECEIVER  
SHEET 10 OF 11

COMPUTER GENERATED

**ACSS**

SEE FIRST SHEET FOR CONTRACT NUMBER. USE OR DISCLOSURE OF INFORMATION ON THIS SHEET IS SUBJECT TO THE RESTRICTIONS ON THE FIRST SHEET OF THIS DOCUMENT.	SIZE <b>D</b>	CAGE CODE <b>1WYD3</b>	DWG. NO. <b>9003020-003</b>	REV <b>-</b>
---	------------------	---------------------------	--------------------------------	-----------------

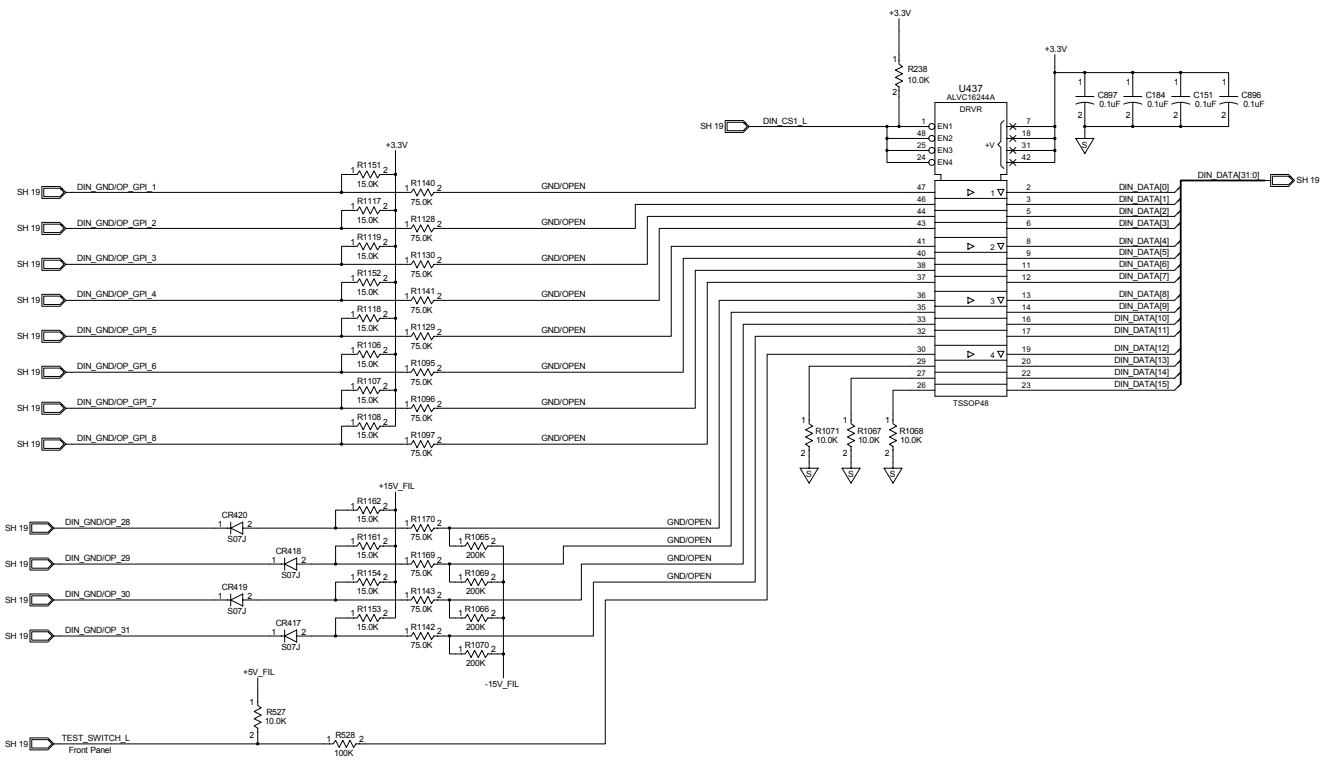
REVISIONS	
REV	DESCRIPTION



INPUT OUTPUT  
 COMPACT FLASH INTERFACE  
 SHEET 11 OF 11

COMPUTER GENERATED

REVISIONS	
REV	DESCRIPTION

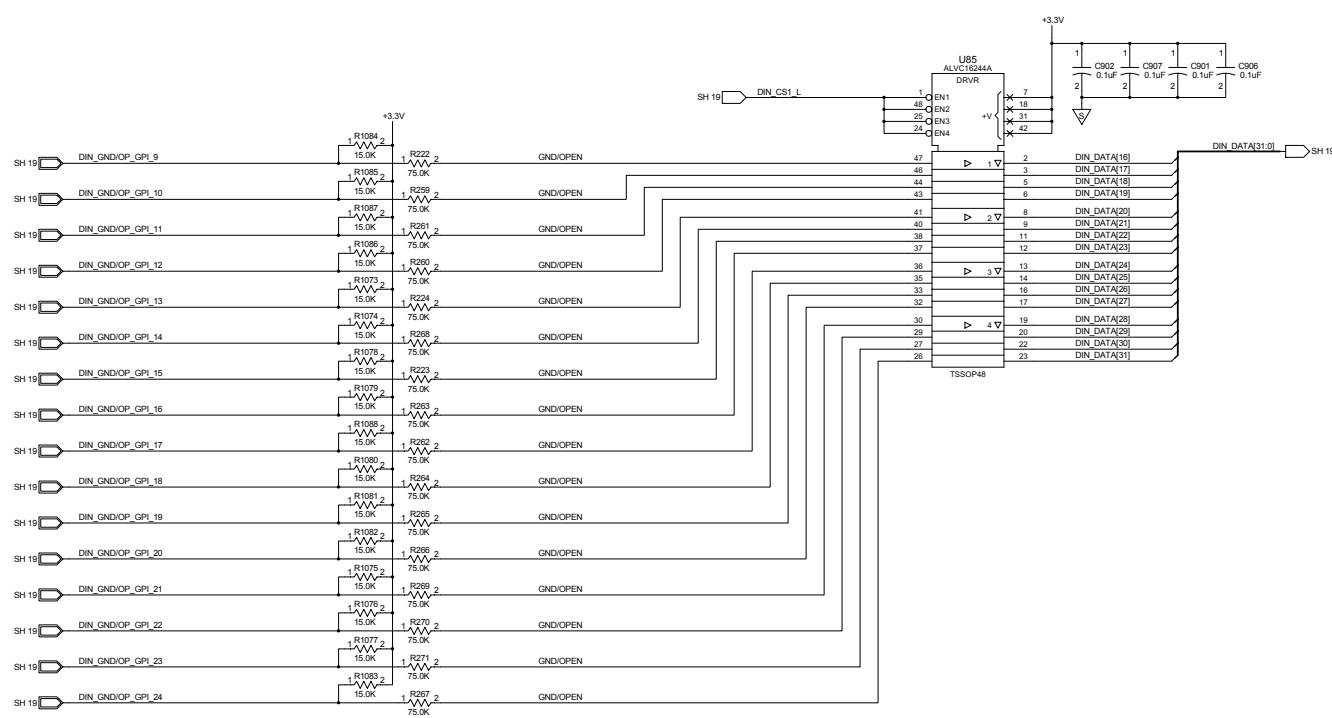


DISCRETE INPUT OUTPUT  
 DISCRETE INPUTS  
 SHEET 1 OF 13

COMPUTER GENERATED

<b>ACSS</b>	SEE FIRST SHEET FOR CONTRACT NUMBER. USE OR DISCLOSURE OF INFORMATION ON THIS SHEET IS SUBJECT TO THE RESTRICTIONS ON THE FIRST SHEET OF THIS DOCUMENT.	SIZE	CAGE CODE	DWG. NO.	REV
		D	1WYD3	9003020-003	-
SCALE: NONE		SHEET		89	

DWG. NO.	9003020-003	SH.	70	REV.	-
REVISIONS					
REV.	DESCRIPTION				

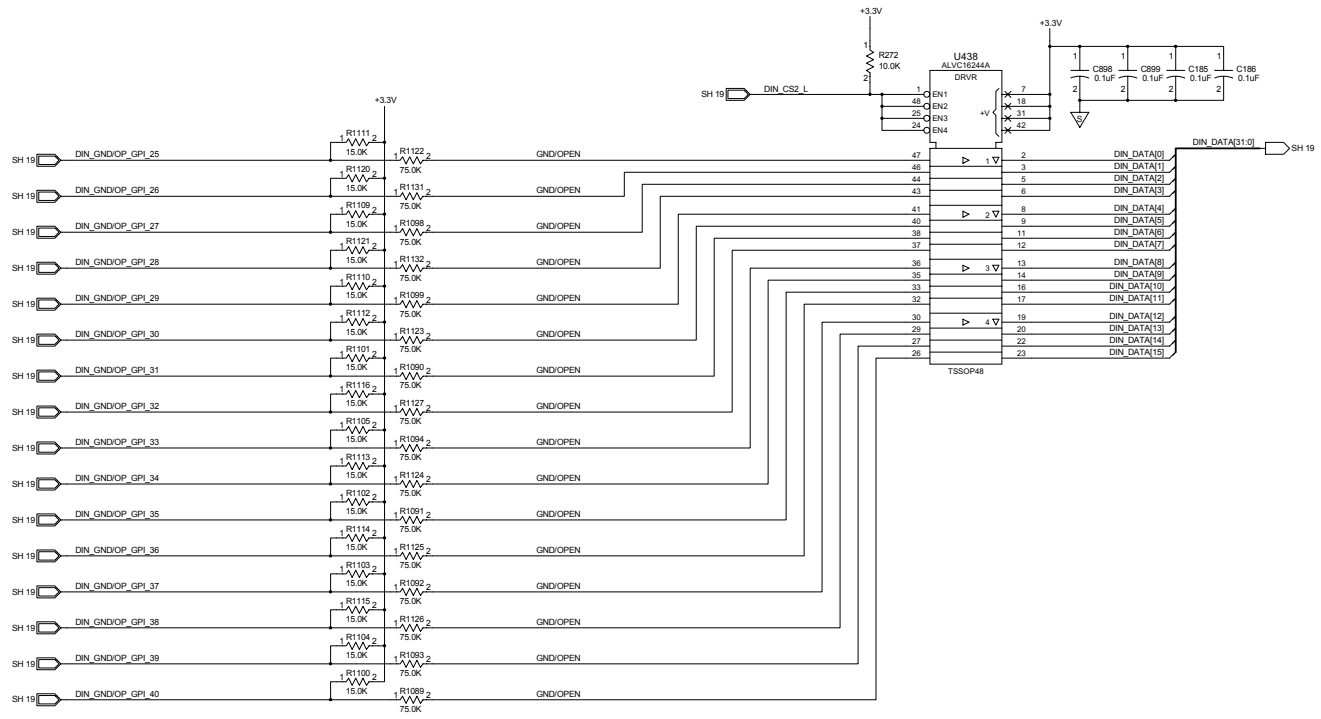


DISCRETE INPUT OUTPUT  
DISCRETE INPUTS  
SHEET 2 OF 13

COMPUTER GENERATED

ACSS	SEE FIRST SHEET FOR CONTRACT NUMBER. USE OR DISCLOSURE OF INFORMATION ON THIS SHEET IS SUBJECT TO THE RESTRICTIONS ON THE FIRST SHEET OF THIS DOCUMENT.			SIZE	CAGE CODE	DWG. NO.	REV.
	D	1WYD3	9003020-003	SCALE	INCHES	SHEET	70

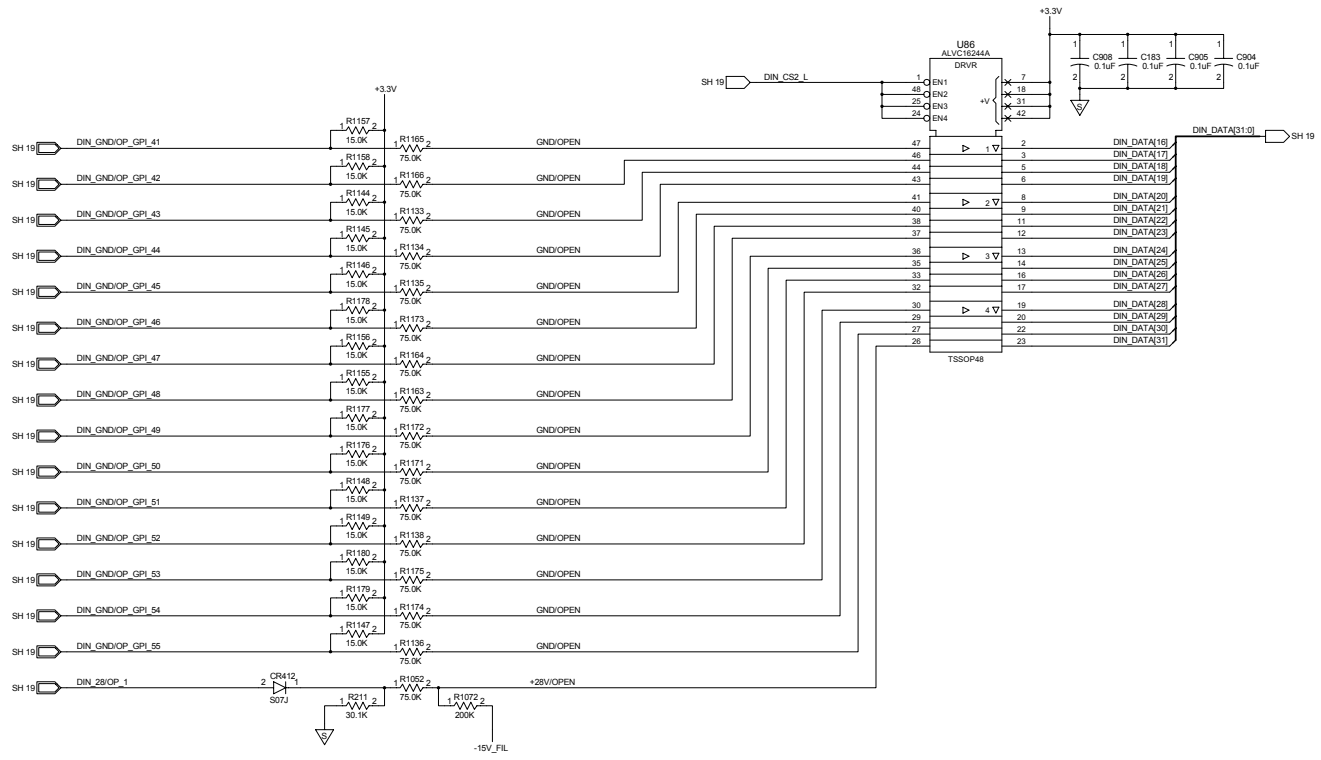
REVISONS	
REV	DESCRIPTION



DISCRETE INPUT OUTPUT  
 DISCRETE INPUTS  
 SHEET 3 OF 13

COMPUTER GENERATED

REVISONS	
REV	DESCRIPTION



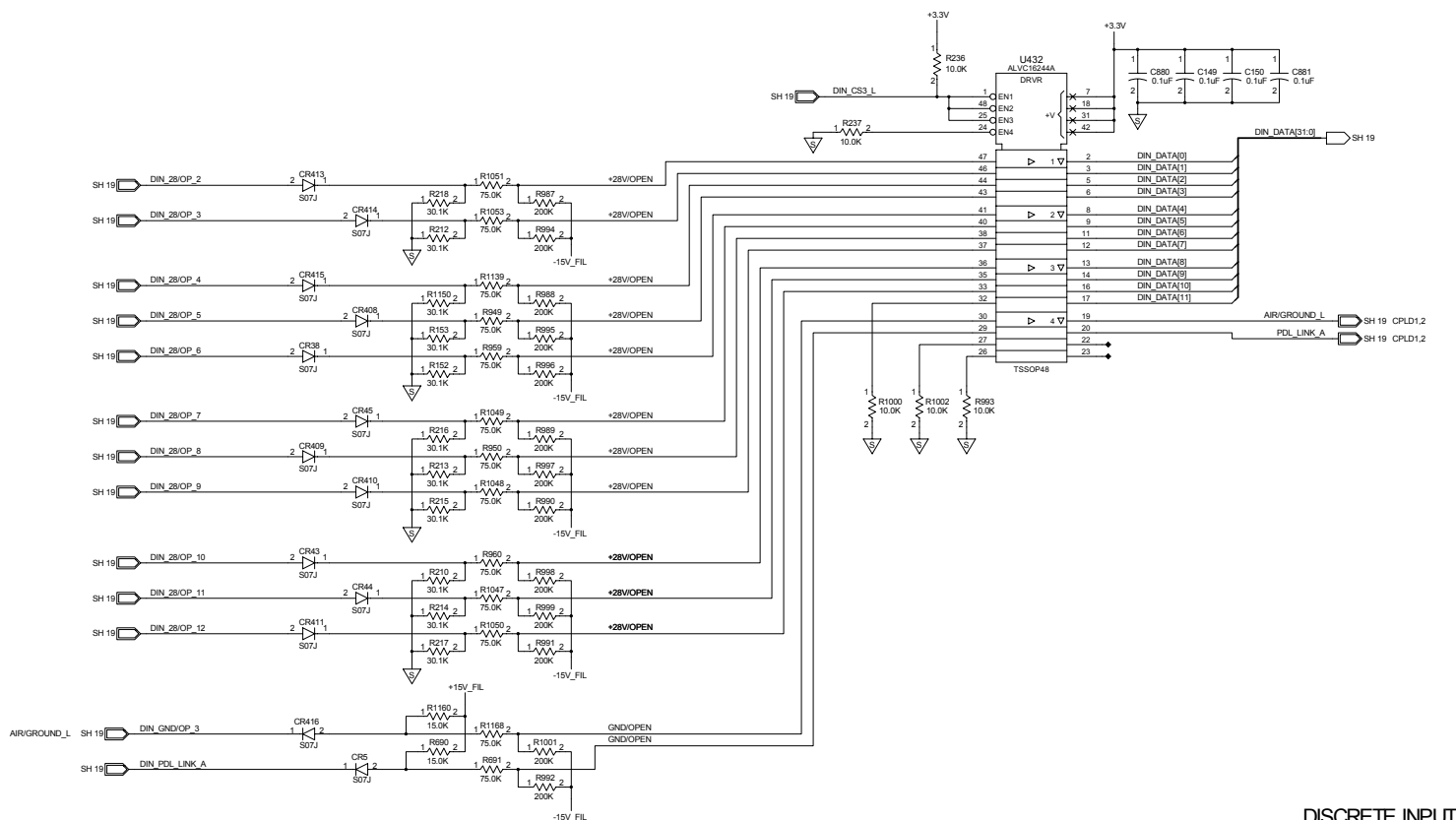
DISCRETE INPUT OUTPUT  
 DISCRETE INPUTS  
 SHEET 4 OF 13

COMPUTER GENERATED

<b>ACSS</b>	SEE FIRST SHEET FOR CONTRACT NUMBER. USE OR DISCLOSURE OF INFORMATION ON THIS SHEET IS SUBJECT TO THE RESTRICTIONS ON THE FIRST SHEET OF THIS DOCUMENT.	SIZE	CAGE CODE	DWG. NO.	REV
		D	1WYD3	9003020-003	-
SCALE: NONE		SHEET		72	



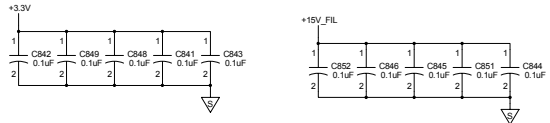
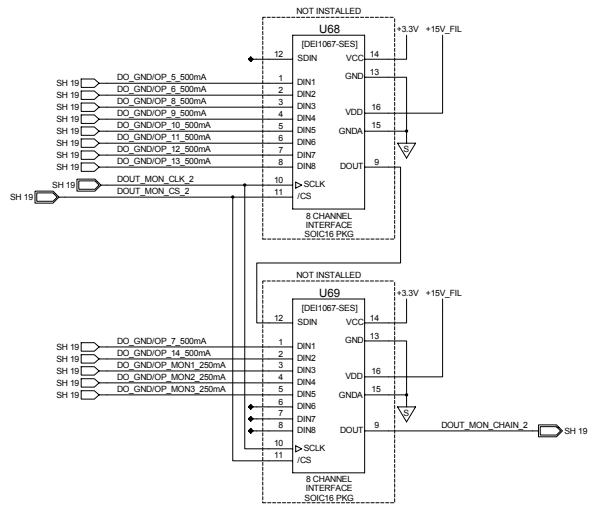
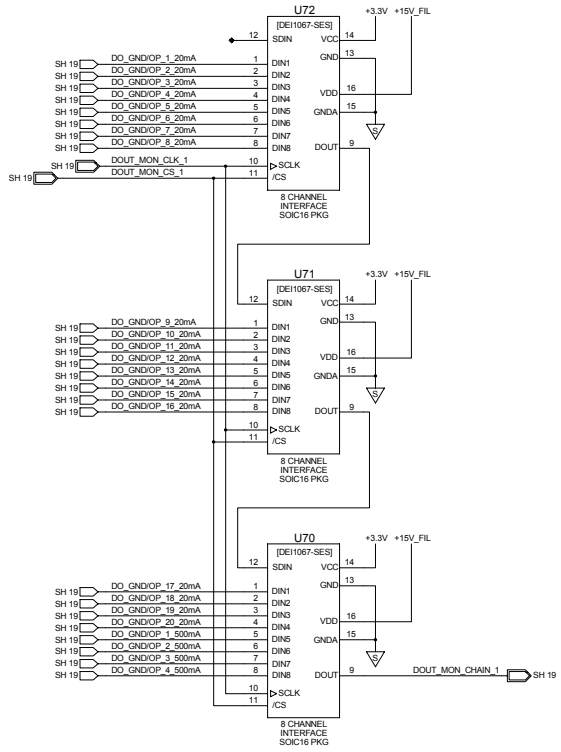
REVISIONS	
REV	DESCRIPTION



DISCRETE INPUT OUTPUT  
 DISCRETE INPUTS  
 SHEET 5 OF 13

COMPUTER GENERATED

DWG. NO.	9003020-003	SHEET	74	REV	
REVISIONS					
REV	DESCRIPTION				



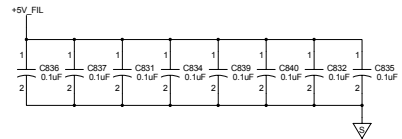
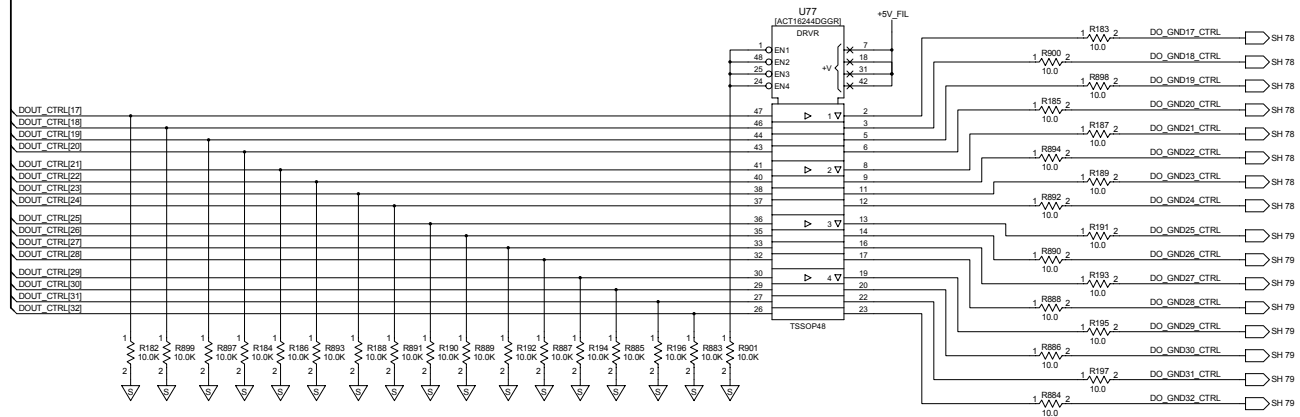
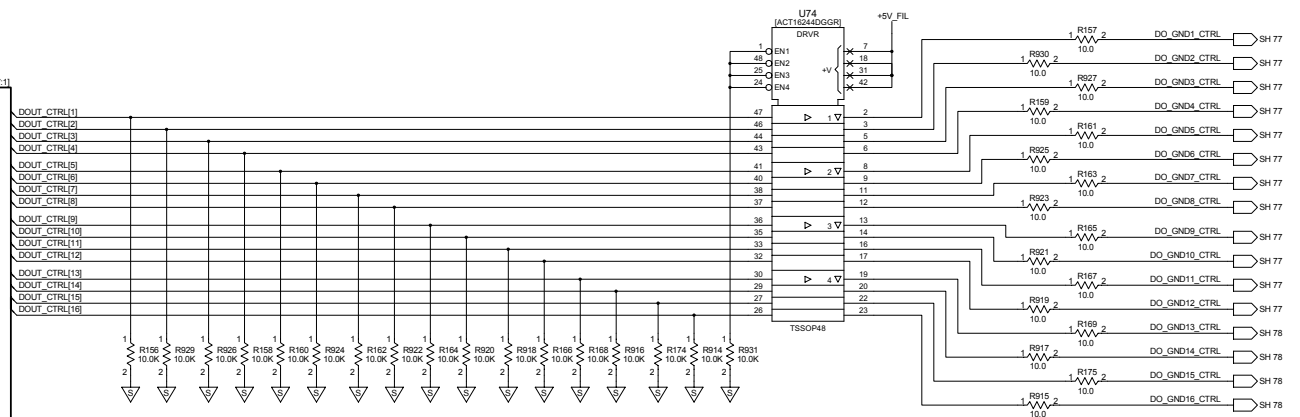
DISCRETE INPUT OUTPUT  
DISCRETE OUTPUT MONITORS  
SHEET 6 OF 13

COMPUTER GENERATED

ACSS	SEE FIRST SHEET FOR CONTRACT NUMBER. USE OR DISCLOSURE OF INFORMATION ON THIS SHEET IS SUBJECT TO THE RESTRICTIONS ON THE FIRST SHEET OF THIS DOCUMENT.		SIZE	CAGE CODE	DWG. NO.	REV
	D	1WYD3	9003020-003	-		

SCALE: NONE SHEET 74

REVISONS	
REV	DESCRIPTION

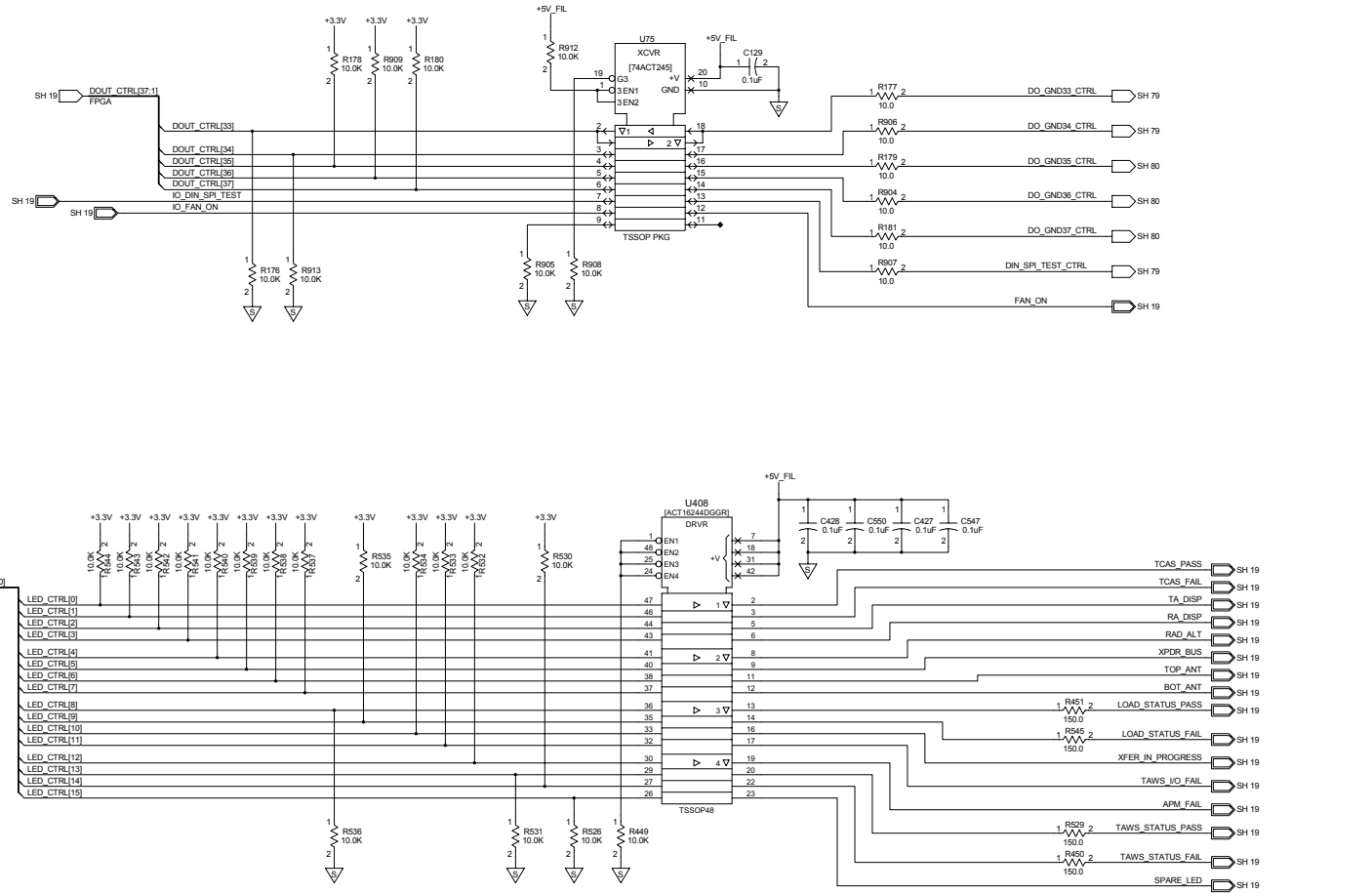


DISCRETE INPUT OUTPUT  
 GND/OPEN DISCRETE OUTPUT DRIVERS (1 OF 2)  
 SHEET 7 OF 13

COMPUTER GENERATED

<b>ACSS</b>	SEE FIRST SHEET FOR CONTRACT NUMBER. USE OR DISCLOSURE OF INFORMATION ON THIS SHEET IS SUBJECT TO THE RESTRICTIONS ON THE FIRST SHEET OF THIS DOCUMENT.	SIZE: D	CAGE CODE: 1WYD3	DWG NO.: 9003020-003	REV: -
	SCALE: NONE	SHEET 75			

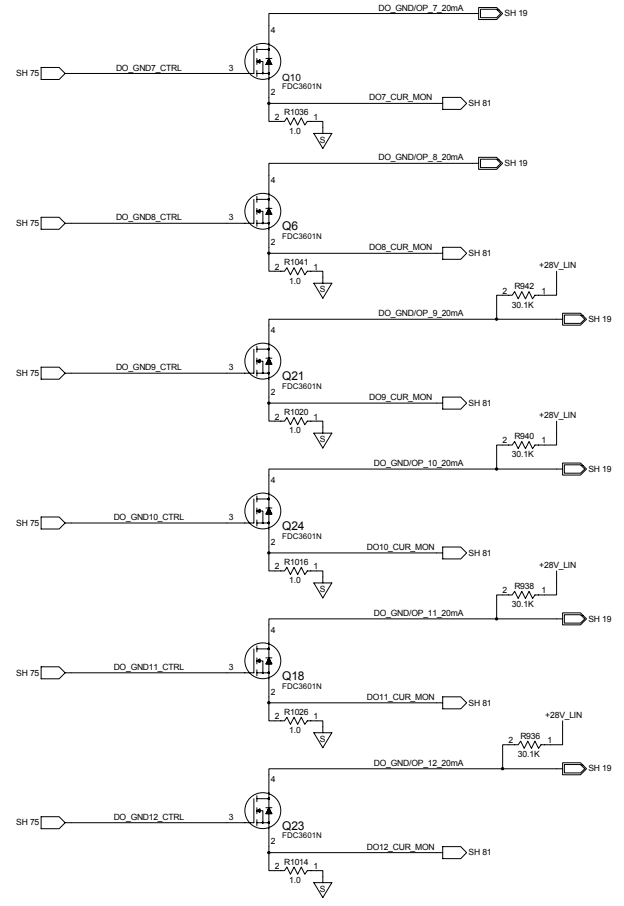
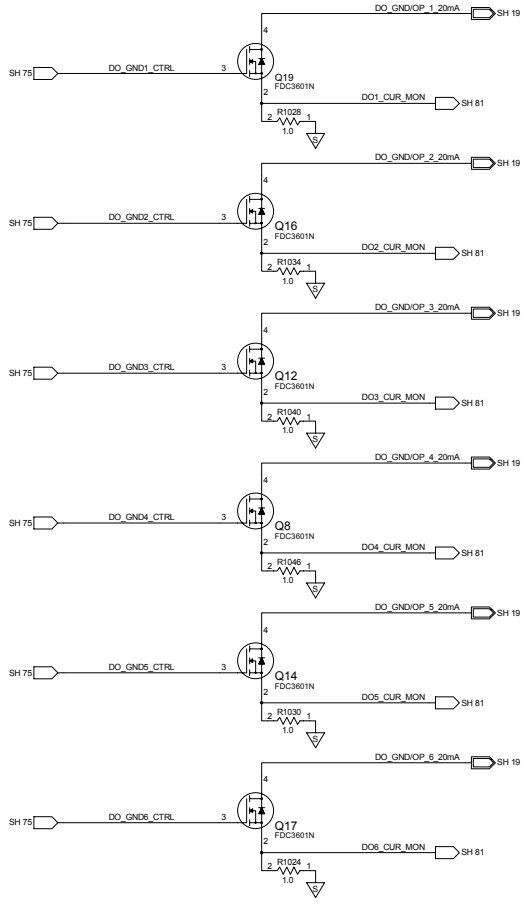
REVISONS	
REV	DESCRIPTION



DISCRETE INPUT OUTPUT  
 GND/OPEN DISCRETE OUTPUT DRIVERS (2 OF 2)  
 FRONT PANEL LED DRIVER CIRCUITRY  
 SHEET 8 OF 13

COMPUTER GENERATED

REVISIONS	
REV	DESCRIPTION



DISCRETE INPUT OUTPUT  
 GND/OPEN DISCRETE OUTPUTS  
 WITH OVERCURRENT PROTECTION  
 SHEET 9 OF 13

COMPUTER GENERATED

**ACSS**

SEE FIRST SHEET FOR CONTRACT NUMBER. USE OR DISCLOSURE OF INFORMATION ON THIS SHEET IS SUBJECT TO THE RESTRICTIONS ON THE FIRST SHEET OF THIS DOCUMENT.

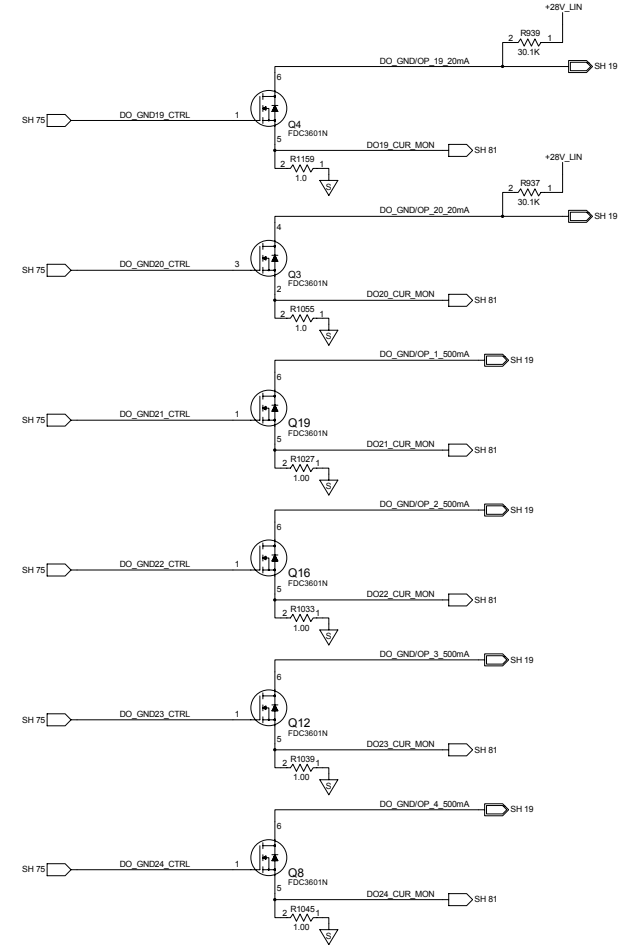
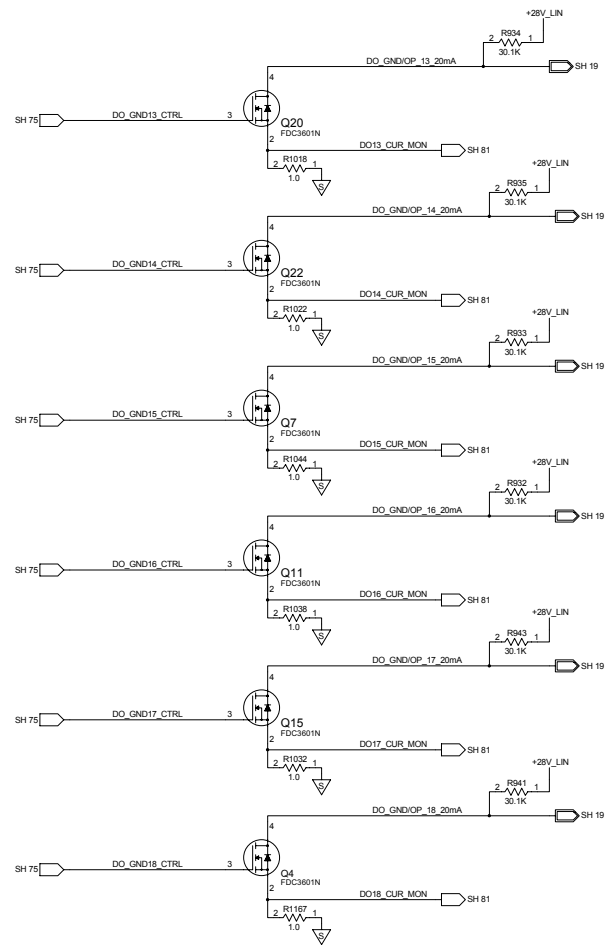
SIZE: D 1WYD3

DWG NO. 9003020-003

REV -

SCALE: NONE SHEET 77

REVISIONS	
REV	DESCRIPTION



DISCRETE INPUT OUTPUT  
 GND/OPEN DISCRETE OUTPUTS  
 WITH OVERCURRENT PROTECTION  
 SHEET 10 OF 13

COMPUTER GENERATED

**ACSS**

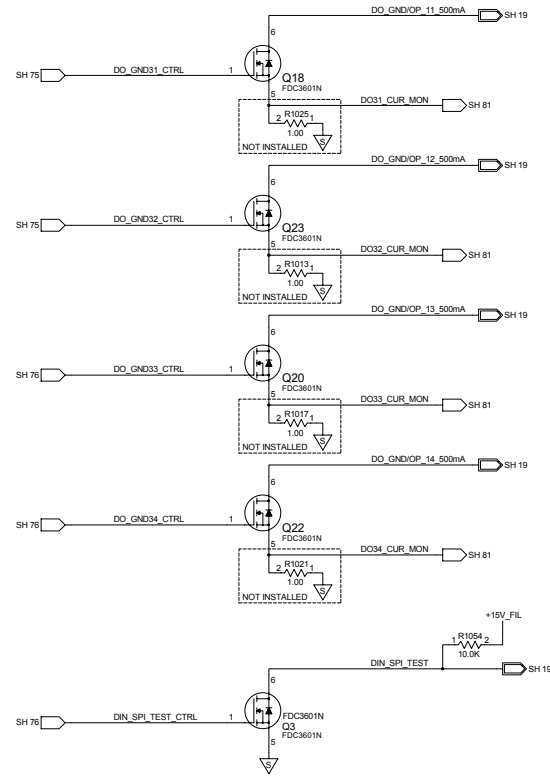
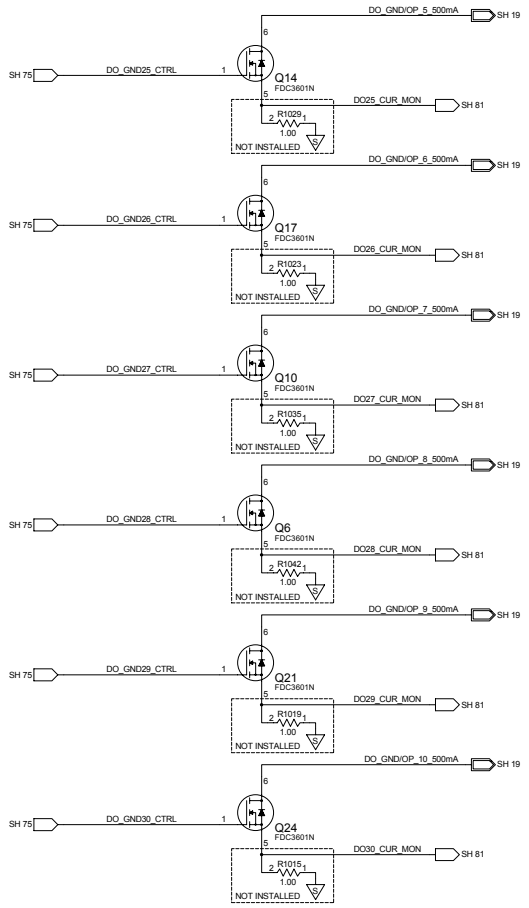
SEE FIRST SHEET FOR CONTRACT NUMBER, USE OR DISCLOSURE OF INFORMATION ON THIS SHEET IS SUBJECT TO THE RESTRICTIONS ON THE FIRST SHEET OF THIS DOCUMENT.

SIZE: D 1WYD3  
 SCALE: NONE

DWG. NO. 9003020-003  
 SHEET 78

REV. -

DWG. NO.	9003020-003	SHEET	79	REV	-
REVISIONS					
REV	DESCRIPTION				

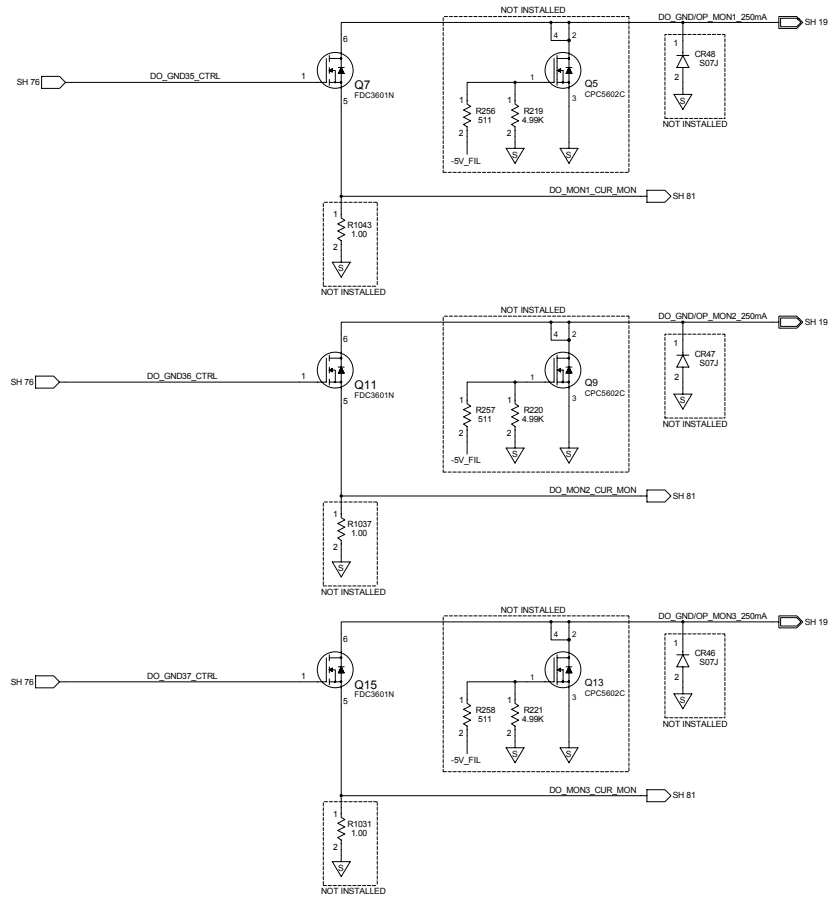


DISCRETE INPUT OUTPUT  
 GND/OPEN DISCRETE OUTPUTS  
 WITH OVERCURRENT PROTECTION  
 SHEET 11 OF 13

COMPUTER GENERATED

<b>ACSS</b>	SEE FIRST SHEET FOR CONTRACT NUMBER. USE OR DISCLOSURE OF INFORMATION ON THIS SHEET IS SUBJECT TO THE RESTRICTIONS ON THE FIRST SHEET OF THIS DOCUMENT.	SIZE D	CAGE CODE 1WYD3	DWG. NO. 9003020-003	REV -
	SCALE: NONE	SHEET 79			

REVISIONS	
REV	DESCRIPTION

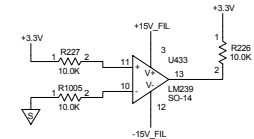
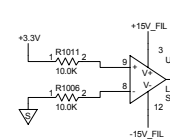
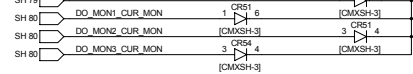
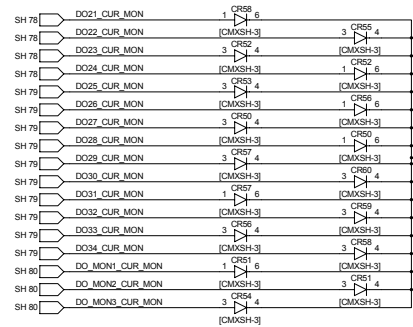
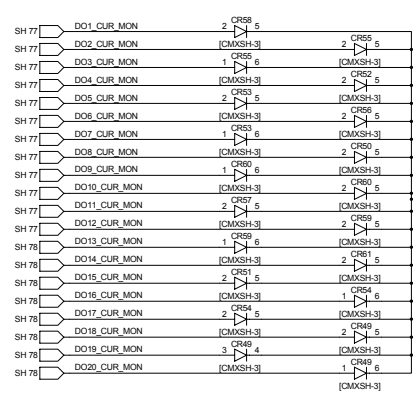


DISCRETE INPUT OUTPUT  
 GND/OPEN DISCRETE OUTPUT MONITORS  
 WITH OVERCURRENT PROTECTION  
 SHEET 12 OF 13

COMPUTER GENERATED



REVISIONS	
REV	DESCRIPTION



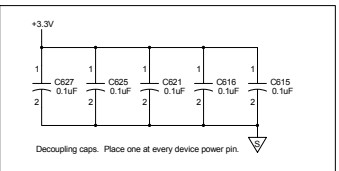
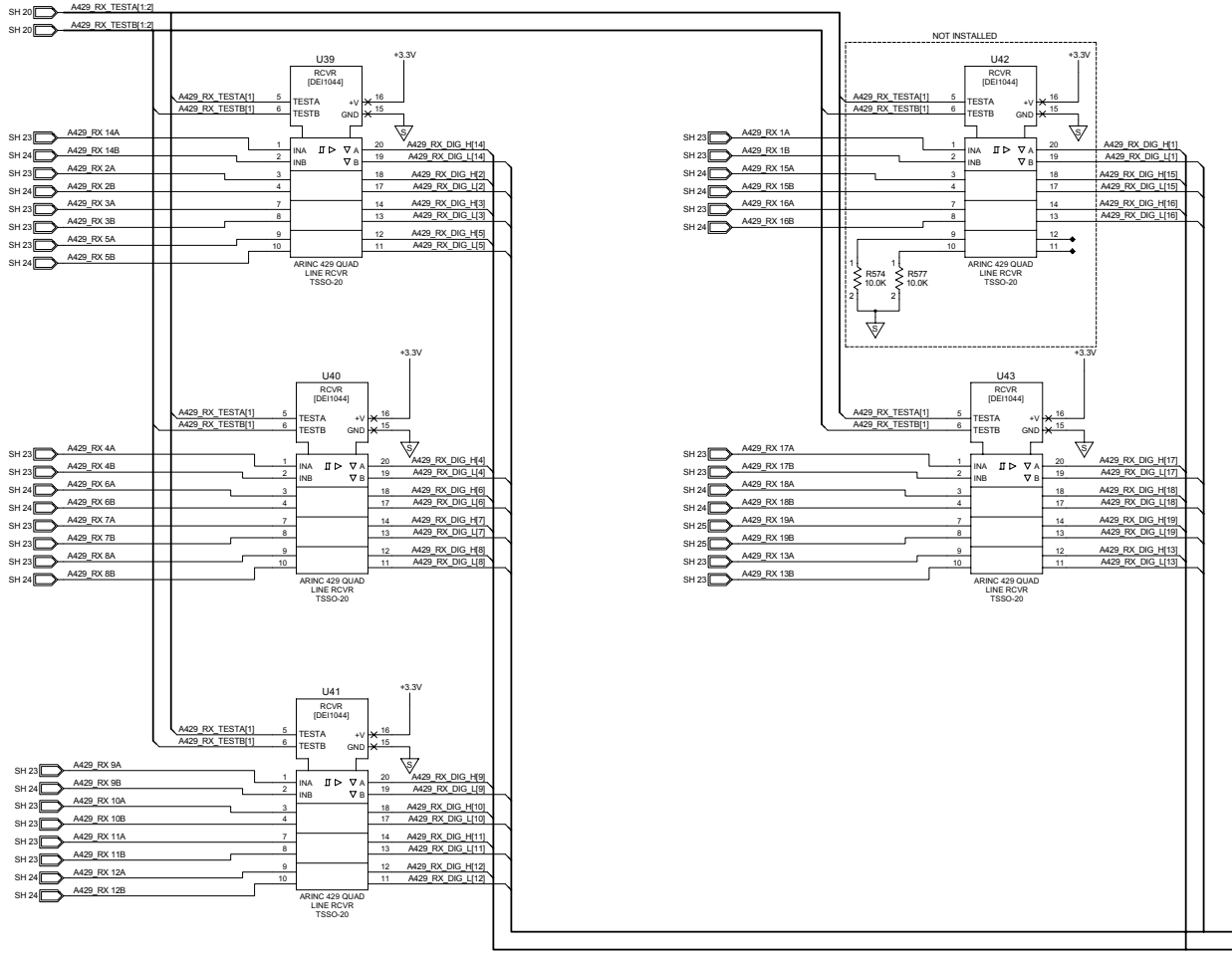
DISCRETE INPUT OUTPUT  
 GND/OPEN DISCRETE OUTPUTS  
 OVERCURRENT PROTECTION CIRCUITRY  
 SHEET 13 OF 13

COMPUTER GENERATED

**ACSS**

SEE FIRST SHEET FOR CONTRACT NUMBER. USE OR DISCLOSURE OF INFORMATION ON THIS SHEET IS SUBJECT TO THE RESTRICTIONS ON THE FIRST SHEET OF THIS DOCUMENT.	SIZE: D	CAGE CODE: 1WYD3	DWG. NO.: 9003020-003	REV: -
SCALE: NONE	SHEET 81			

REVISIONS	
REV	DESCRIPTION

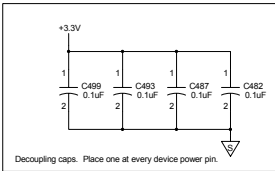
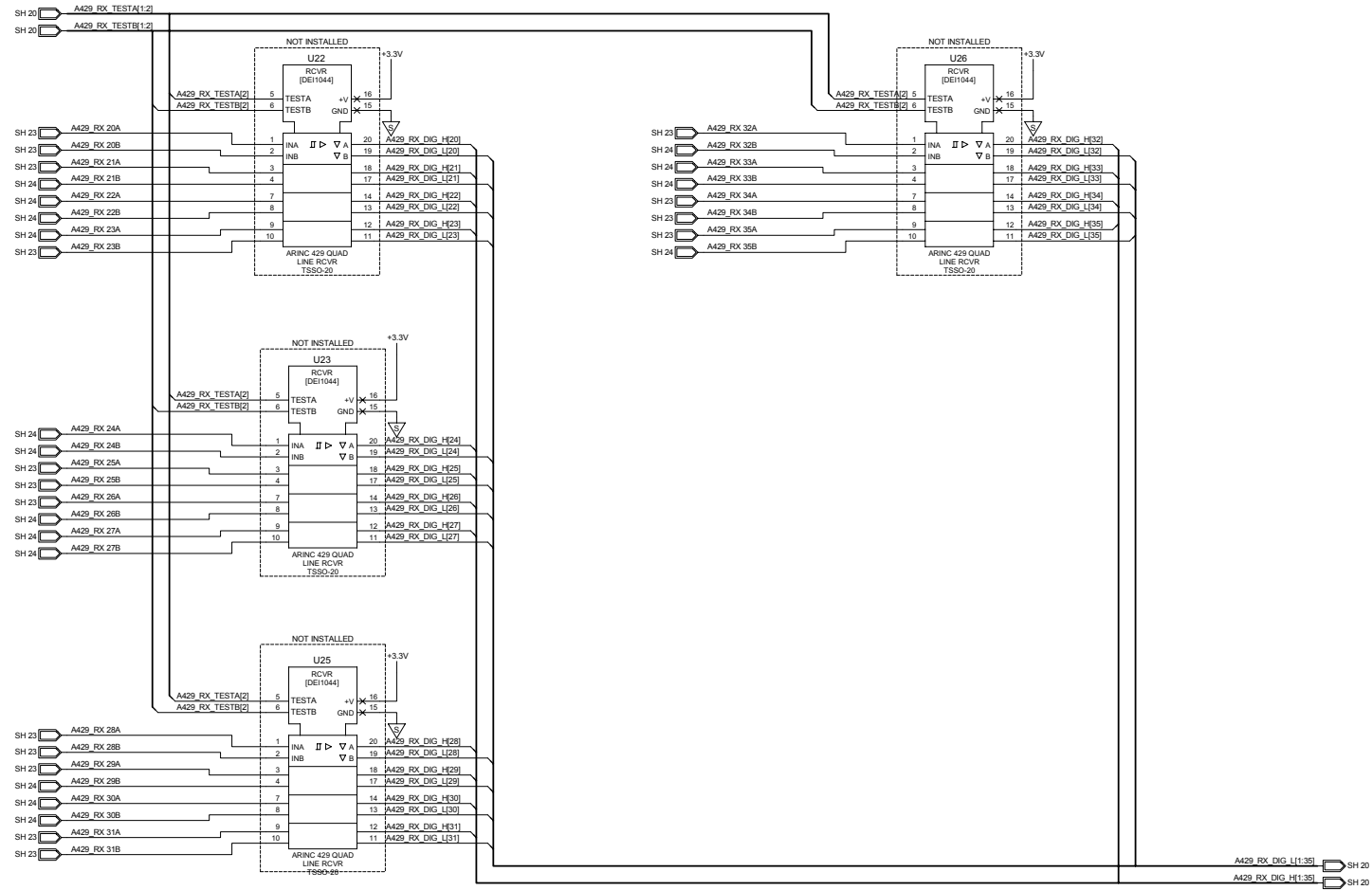


A429\_RX\_DIG\_L1[35] SH 20  
A429\_RX\_DIG\_H1[35] SH 20

**A429 INPUT OUTPUT**  
**ARINC 429 - INPUT (1 OF 2)**  
**SHEET NO. 1 OF 6**

COMPUTER GENERATED

REVISIONS	
REV	DESCRIPTION



A429 INPUT OUTPUT  
ARINC 429 - INPUT (2 OF 2)  
SHEET NO. 1 OF 6

COMPUTER GENERATED

**ACSS**

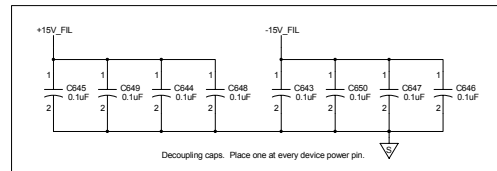
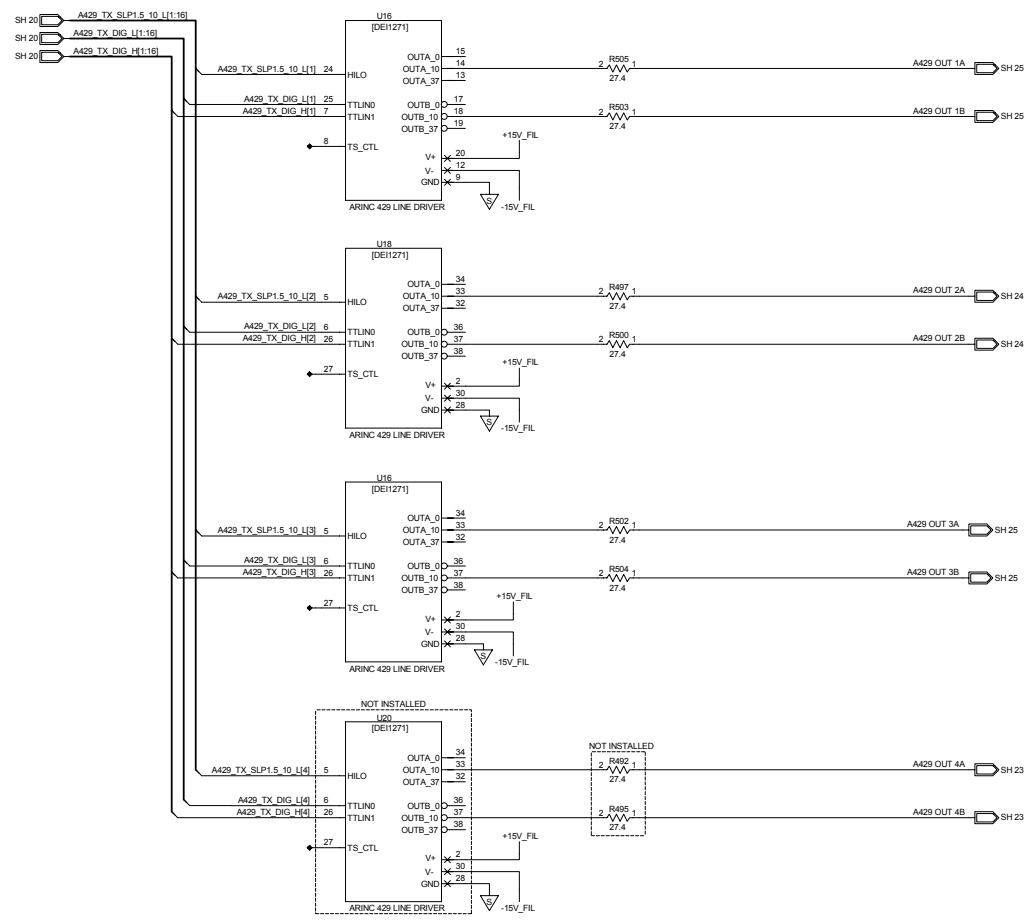
SEE FIRST SHEET FOR CONTRACT NUMBER. USE OR DISCLOSURE OF INFORMATION ON THIS SHEET IS SUBJECT TO THE RESTRICTIONS ON THE FIRST SHEET OF THIS DOCUMENT.

SIZE: D 1WYD3

CAGE CODE: 9003020-003

REV: -

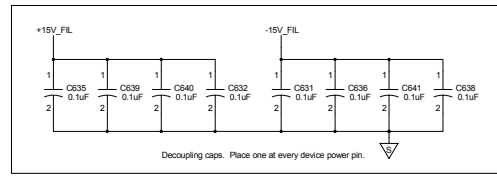
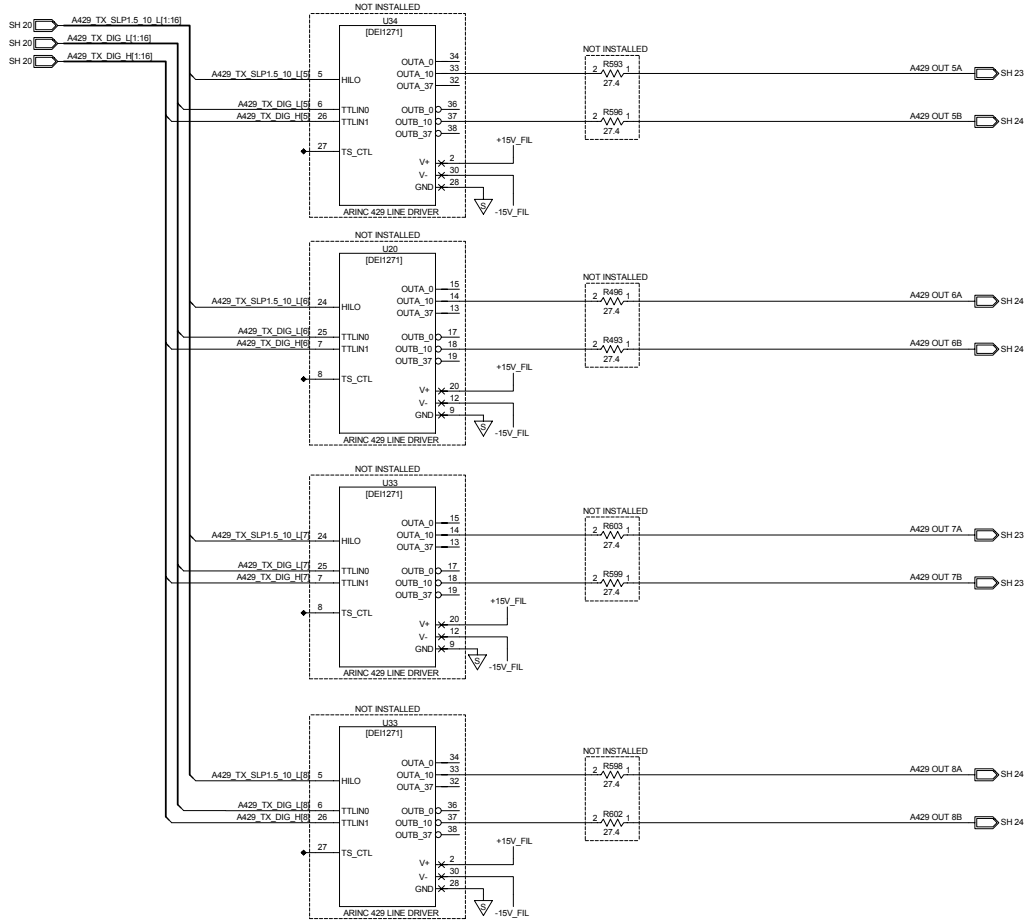
REVISIONS	
REV	DESCRIPTION



A429 INPUT OUTPUT  
ARINC 429 - OUTPUT (1 OF 4)  
SHEET NO. 3 OF 6

COMPUTER GENERATED

REVISIONS	
REV	DESCRIPTION

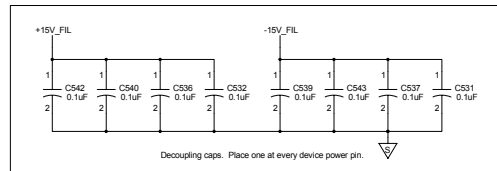
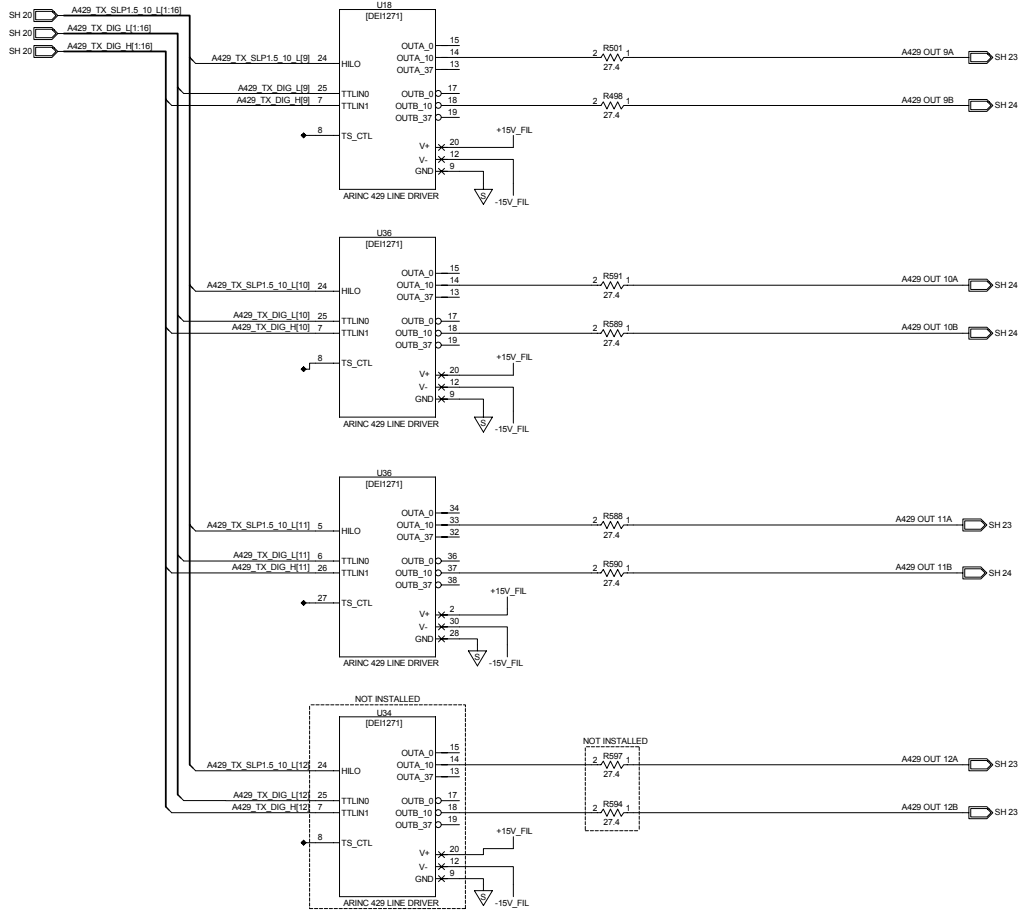


A429 INPUT OUTPUT  
 ARINC 429 - OUTPUT (2 OF 4)  
 SHEET NO. 4 OF 6

COMPUTER GENERATED

<b>ACSS</b>	SEE FIRST SHEET FOR CONTRACT NUMBER. USE OR DISCLOSURE OF INFORMATION ON THIS SHEET IS SUBJECT TO THE RESTRICTIONS ON THE FIRST SHEET OF THIS DOCUMENT.	SIZE	CAGE CODE	DWG. NO.	REV
		D	1WYD3	9003020-003	-
SCALE: NONE		SHEET		85	

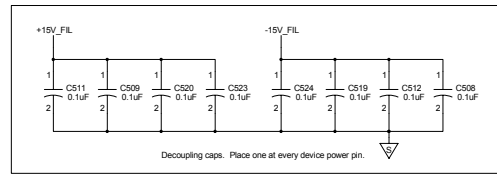
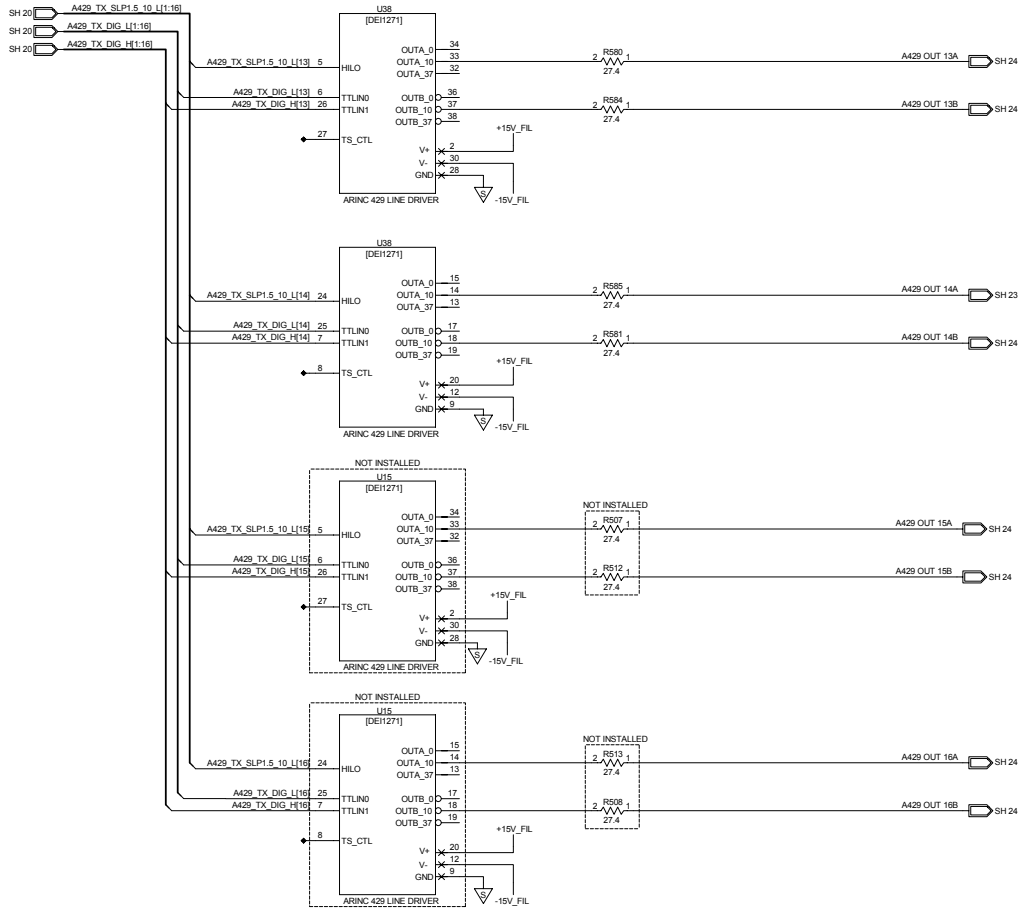
REVISIONS	
REV	DESCRIPTION



A429 INPUT OUTPUT  
 ARINC 429 - OUTPUT (3 OF 4)  
 SHEET NO. 5 OF 6

COMPUTER GENERATED

REVISIONS	
REV	DESCRIPTION



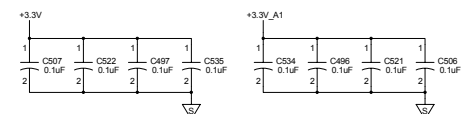
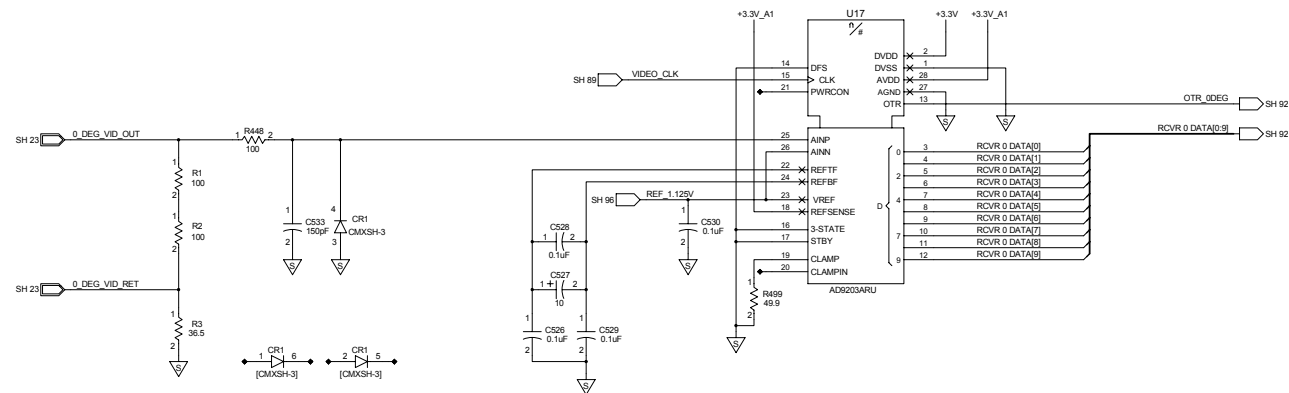
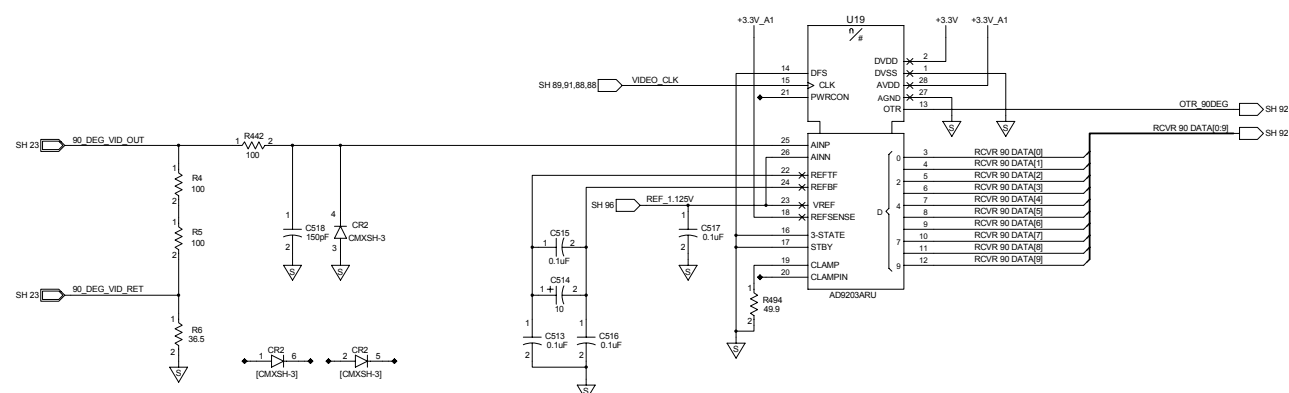
A429 INPUT OUTPUT  
 ARINC 429 - OUTPUT (4 OF 4)  
 SHEET NO. 6 OF 6

COMPUTER GENERATED





REVISONS	
REV	DESCRIPTION



RF PROCESSOR  
 VIDEO INPUT INTERFACE (2 OF 2)  
 SHEET NO. 2 OF 9

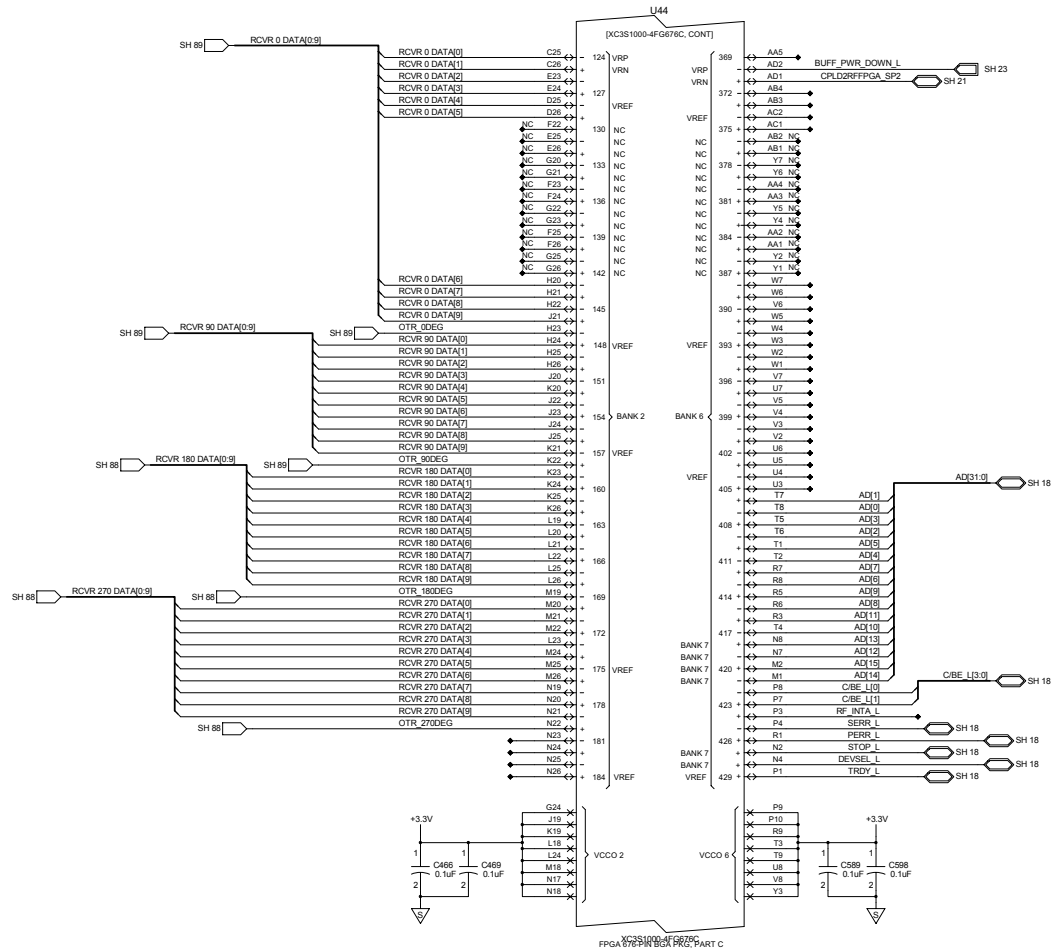
COMPUTER GENERATED

<b>ACSS</b>	SEE FIRST SHEET FOR CONTRACT NUMBER. USE OR DISCLOSURE OF INFORMATION ON THIS SHEET IS SUBJECT TO THE RESTRICTIONS ON THE FIRST SHEET OF THIS DOCUMENT.	SIZE: D	CAGE CODE: 1WYD3	DWG. NO.: 9003020-003	REV: -
	SCALE: NONE	SHEET 89			





REVISIONS	
REV	DESCRIPTION

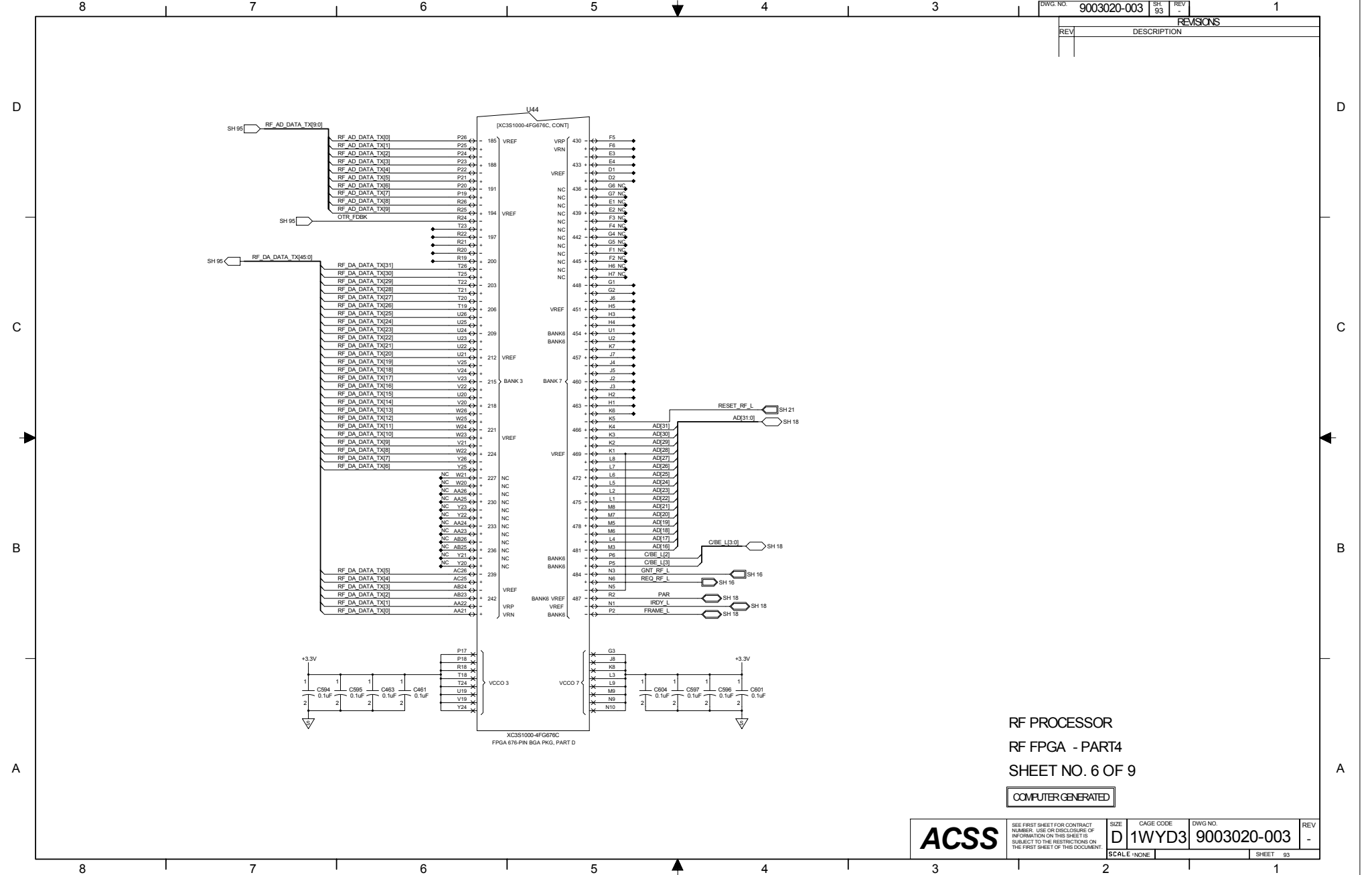


RF PROCESSOR  
 RF FPGA - PART3  
 SHEET NO. 5 OF 9

COMPUTER GENERATED

<b>ACSS</b>	SEE FIRST SHEET FOR CONTRACT NUMBER. USE OR DISCLOSURE OF INFORMATION ON THIS SHEET IS SUBJECT TO THE RESTRICTIONS ON THE FIRST SHEET OF THIS DOCUMENT.	SIZE	CAGE CODE	DWG NO.	REV
		D	1WYD3	9003020-003	-
SCALE: NONE		SHEET 92			

REVISIONS	
REV	DESCRIPTION

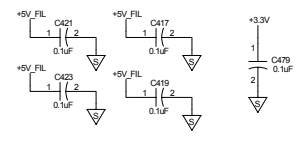
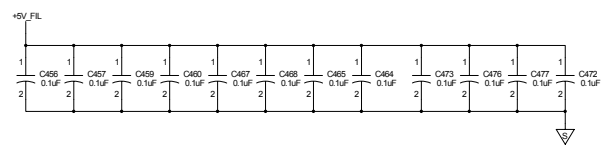
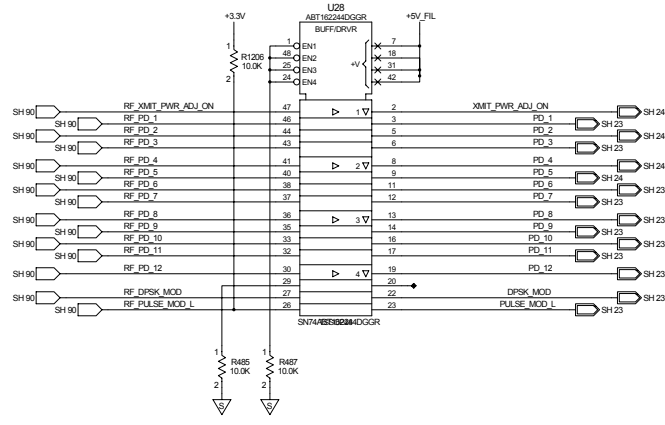
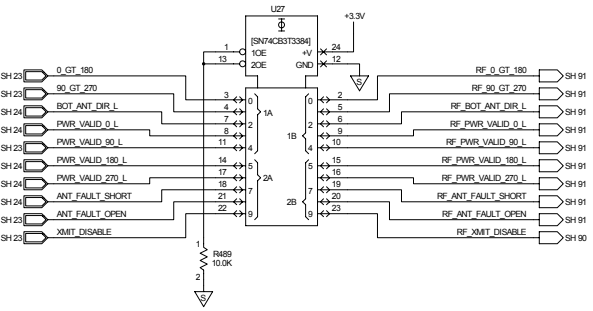
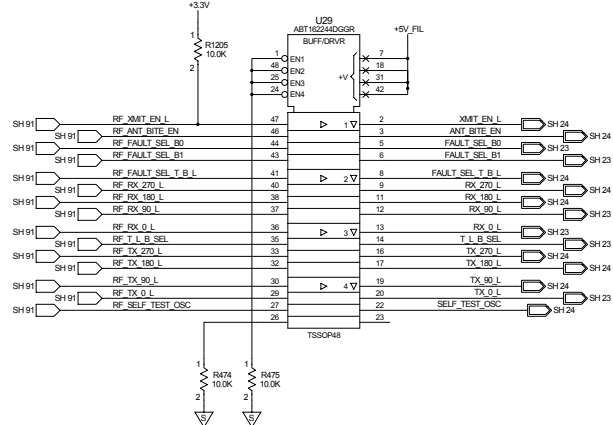
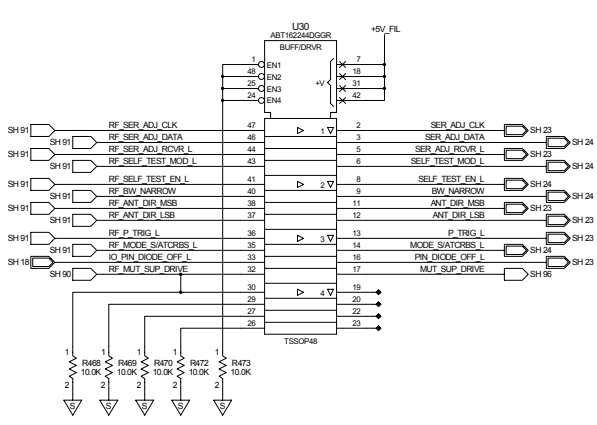


RF PROCESSOR  
 RF FPGA - PART4  
 SHEET NO. 6 OF 9

COMPUTER GENERATED

<b>ACSS</b>	SEE FIRST SHEET FOR CONTRACT NUMBER. USE OR DISCLOSURE OF INFORMATION ON THIS SHEET IS SUBJECT TO THE RESTRICTIONS ON THE FIRST SHEET OF THIS DOCUMENT.	SIZE: <b>D</b>	CAGE CODE: <b>1WYD3</b>	DWG NO.: <b>9003020-003</b>	REV: <b>-</b>
	SCALE: NONE	SHEET 93			

REVISIONS		
CRNO.	REV.	DESCRIPTION
009058	D	Connect RF_MUT_SUP_DRIVE to net on Pin 30 of U30. 10/18/05

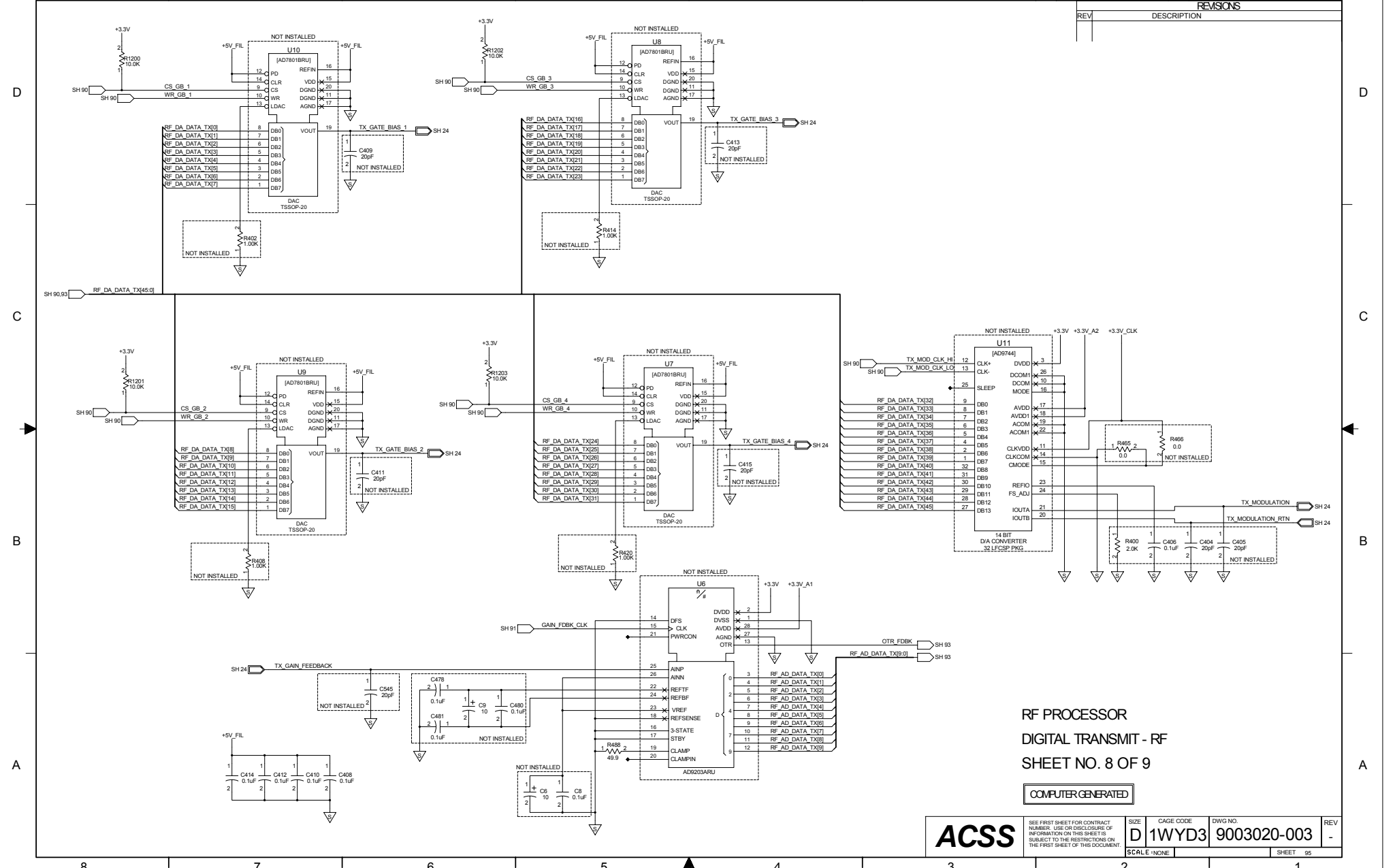


RF PROCESSOR  
DISCRETE INTERFACE - RF  
SHEET NO. 7 OF 9

COMPUTER GENERATED

<b>ACSS</b>	SEE FIRST SHEET FOR CONTRACT NUMBER. USE OR DISCLOSURE OF INFORMATION ON THIS SHEET IS SUBJECT TO THE RESTRICTIONS ON THE FIRST SHEET OF THIS DOCUMENT.	SIZE <b>D</b>	CASE CODE <b>1WMD3</b>	DWG. NO. <b>9003020-003</b>	REV <b>D</b>
	SCALE: INCHES	SHEET 94			

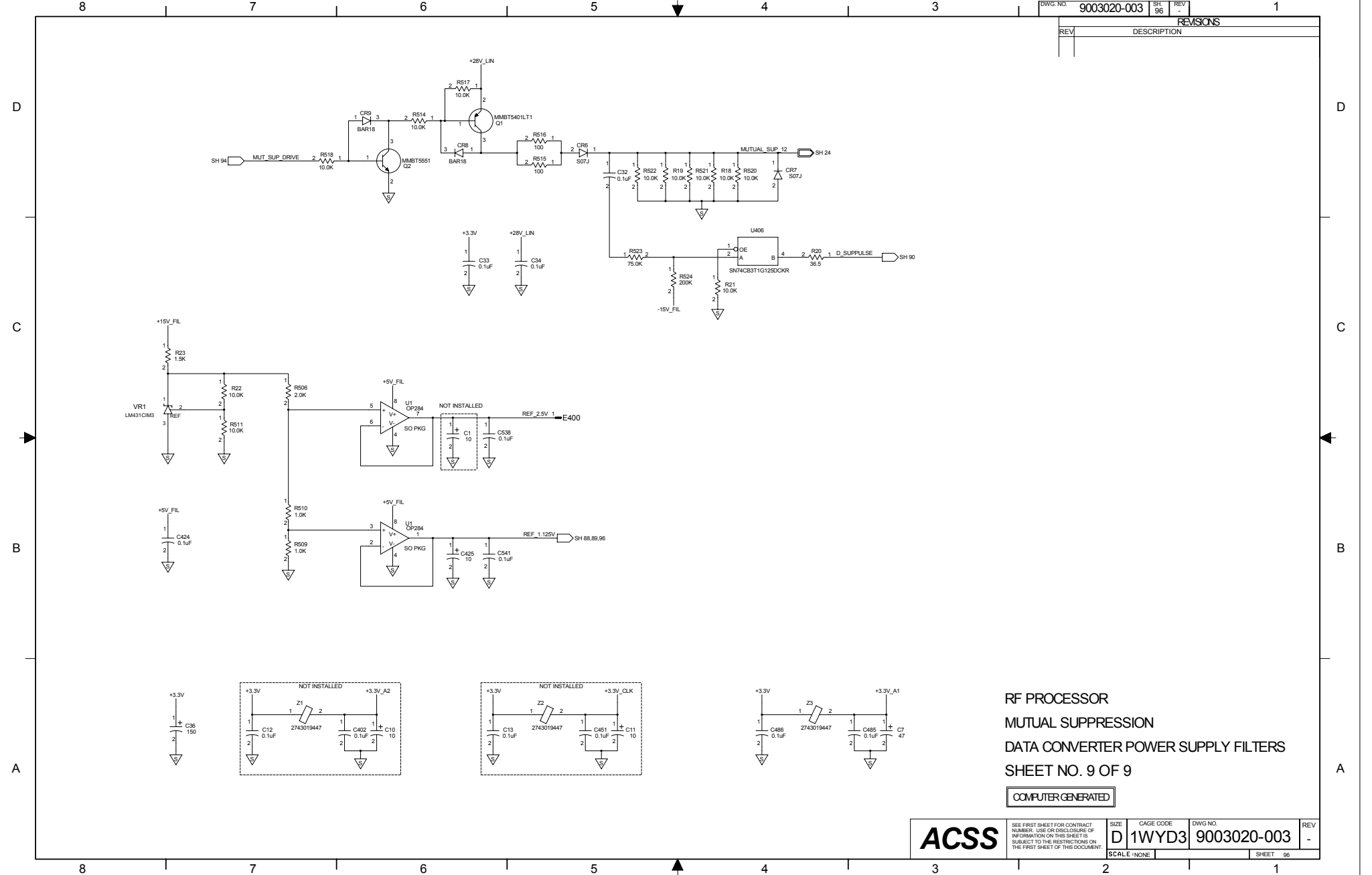
REV	DESCRIPTION



RF PROCESSOR  
 DIGITAL TRANSMIT - RF  
 SHEET NO. 8 OF 9

COMPUTER GENERATED

REVISIONS	
REV	DESCRIPTION



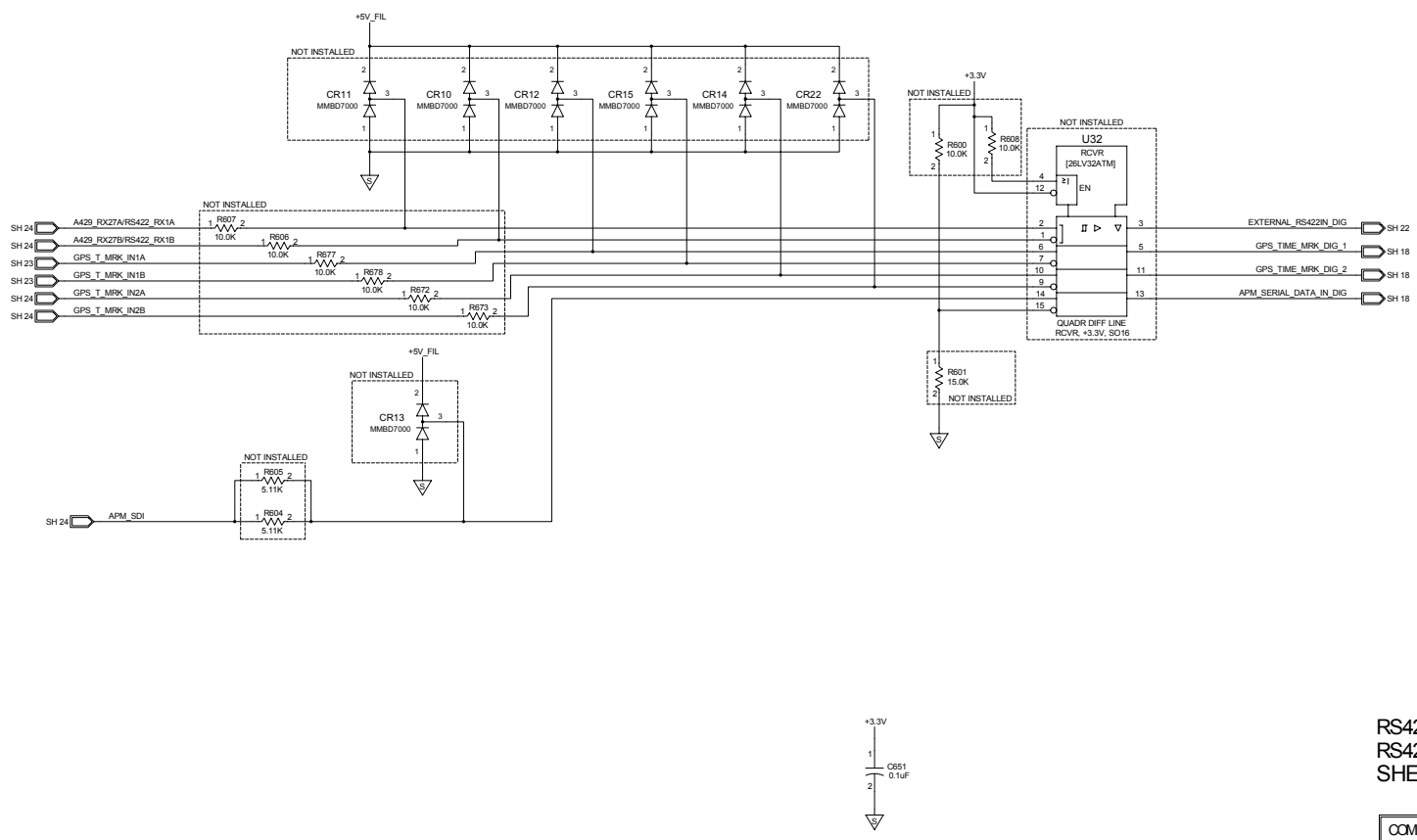
RF PROCESSOR  
 MUTUAL SUPPRESSION  
 DATA CONVERTER POWER SUPPLY FILTERS  
 SHEET NO. 9 OF 9

COMPUTER GENERATED





REVISIONS	
REV	DESCRIPTION

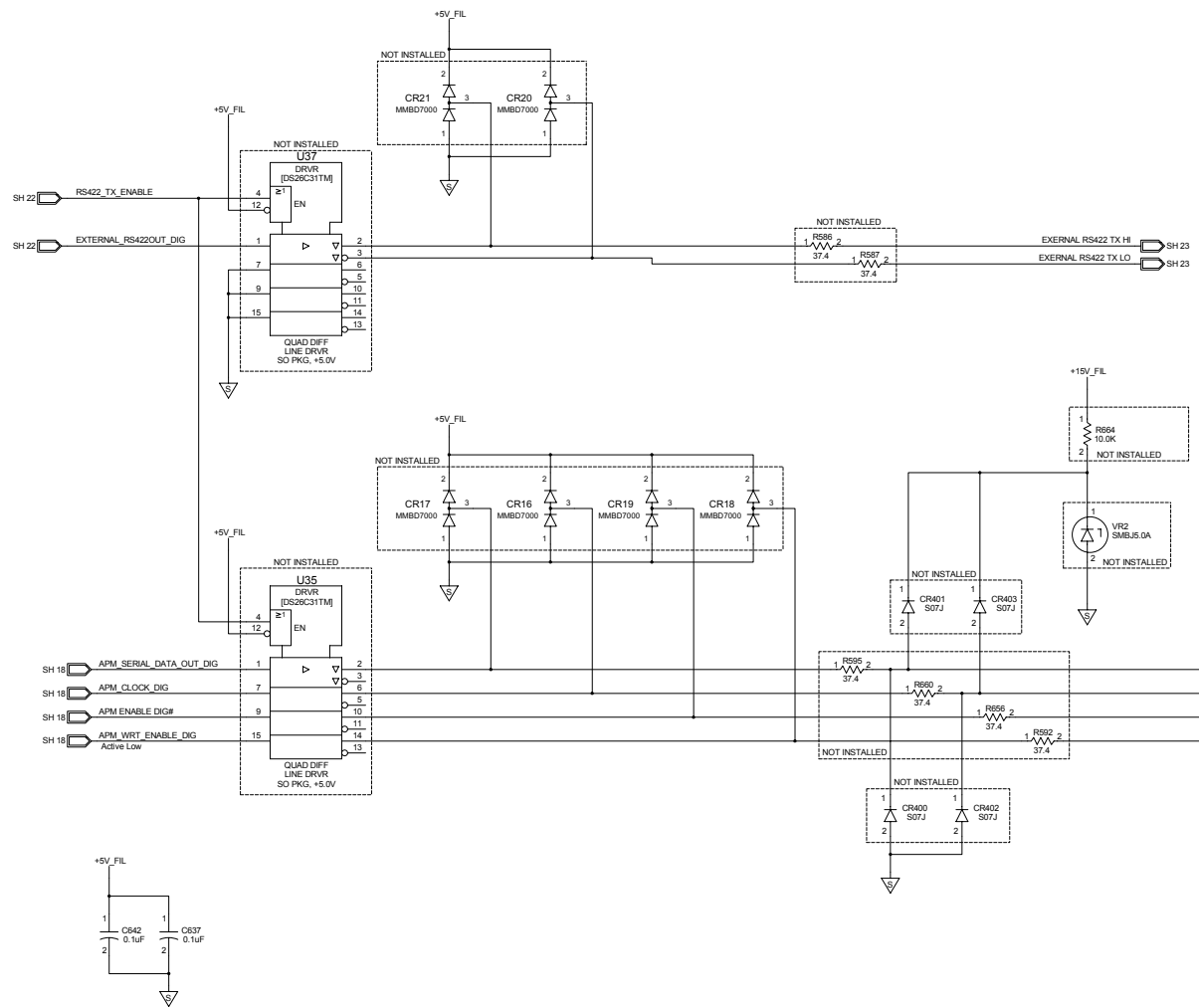


RS422  
RS422 TX/RX - RECEIVER  
SHEET NO. 1 OF 2

COMPUTER GENERATED

<b>ACSS</b>	SEE FIRST SHEET FOR CONTRACT NUMBER. USE OR DISCLOSURE OF INFORMATION ON THIS SHEET IS SUBJECT TO THE RESTRICTIONS ON THE FIRST SHEET OF THIS DOCUMENT.	SIZE	CAGE CODE	DWG. NO.	REV
		D	1WYD3	9003020-003	-
SCALE: NONE		SHEET		98	

REVISIONS	
REV	DESCRIPTION



RS422  
RS422 TX/RX - TRANSMITTER  
SHEET NO. 2 OF 2

COMPUTER GENERATED