

DWG NO. 7510706		SI	REVISIONS	
ZONE	REV	DESCRIPTION	DATE	APPROVED
	AK	RMV REV - THRU AJ TO MAKE ROOM FOR NEW REVISIONS. SEE MICROFILM FOR PREVIOUS REVISION HISTORY. SH IDX REV. 107448(B)	03DEC90	N. HAWK BEGAY BB
	AL	RMV -850 VAR. -850 VAR CONVERTED TO SIMILAR FORMAT FOR SALE TO L-3 ACSS. SH IDX REV. 26321A (NA) DRAWING CHANGE ONLY. NO PARTS OR ASSEMBLIES IN PROCESS ARE AFFECTED.	27 Aug 01	On Hand BURKE AM

PROPRIETARY NOTICE
THIS DOCUMENT AND THE INFORMATION DISCLOSED HEREIN ARE PROPRIETARY DATA OF HONEYWELL INC. NEITHER THIS DOCUMENT NOR THE INFORMATION CONTAINED HEREIN SHALL BE REPRODUCED, USED, OR DISCLOSED TO OTHERS WITHOUT THE WRITTEN AUTHORIZATION OF HONEYWELL INC.

NOTICE
FREEDOM OF INFORMATION ACT (5 USC 552) AND DISCLOSURE OF CONFIDENTIAL INFORMATION GENERALLY (18 USC 1905)
THIS DOCUMENT IS BEING FURNISHED IN CONFIDENCE BY HONEYWELL INC. THE INFORMATION DISCLOSED HEREIN FALLS WITHIN EXEMPTION (b) (4) OF 5 USC 552 AND THE PROHIBITIONS OF 18 USC 1905.

- NOTES:
(UNLESS OTHERWISE SPECIFIED):
- ALL DIMENSIONS IN PARENTHESIS () ARE IN MILLIMETERS.
 - UNIT WEIGHT (SEE UNIT WEIGHT TABLE), WEIGHT TOLERANCE ± .20 LBS.
 - WHEN INSTALLING MOUNT ON A FLAT SURFACE (SEE DETAIL F, SHEET 4) USE SPACER KIT 7510351-901 TO ALLOW REMOVAL OF RADIO FROM MOUNTING TRAY.
 - FOR CONNECTOR PART NUMBERS AND APPROVED RF CABLE, SEE RF CONNECTOR PART NUMBER TABLE. WHEN 7500335-10 IS USED FOR J2 AND J6, CONNECTORS J4, J7, P1 AND P2 ARE NOT REQUIRED.
 - TO ASSURE PROPER GROUNDING OF THIS SYSTEM, THE AIRCRAFT SURFACE TO WHICH ALL MOUNTINGS OR UNITS ARE ATTACHED MUST BE CLEAN BARE METAL. MOUNT TO AIRCRAFT RESISTANCE SHALL BE 2.5 MILLIOHMS MAX. WITHOUT WIRING INSTALLED.
 - STRAP BUS MOUNTED ON MOUNT SHOWN, FOR REMOTE MOUNTED STRAP BUS SEE DETAIL E AND WIRE LIST (REMOTE MOUNTED).
 - ⊙ DENOTES APPROXIMATE CENTER OF GRAVITY.
 - FOR ASSEMBLIES, KITS AND ACCESSORIES SEE:
7510707 SYSTEM LIST
7510359 CONNECTOR KIT
 - SEE TRANSPONDER RF CABLE LENGTHS TABLE FOR CABLE LENGTH REQUIRED FOR 2dB ± 1dB INSERTION LOSS.
 - SECURE THUMB NUTS USING LOCKING WIRE 2 PLACES.
 - MAXIMUM RECOMMENDED TIGHTENING TORQUE 32 IN.-LBS.
 - CONNECTORS J1, J2, J3, J5 AND J6 MUST FLOAT. ALLOW 6 INCHES MIN OF CABLE LENGTH FROM REAR OF CONNECTORS J1, J2, J3, J5 AND J6 TO ANY CABLE CLAMPING DEVICE.
 - HOLE AND CONNECTOR ARE OMITTED ON 7510700-803 (RCZ-851A) UNITS AND 7510814-802, 7510814-911 MT-852 MOUNTS. CONNECTOR IS OMITTED ON 7510700-804 (RCZ-851C) AND 7510700-864 (RCZ-833C).
 - ALL INTEGRATED COMMUNICATIONS UNIT SHALL MEET THE LIGHTNING REQUIREMENTS AT THE AIRCRAFT LEVEL (REF: FAA AC20-136).

UNIT PART NO.	MODEL NO.	LBS	(KG)	SEE SHEETS
7510700-901	RCZ-850	10.50	4.77	1 THRU 8
7510700-902	RCZ-850A	10.50	4.77	1 THRU 8
7510700-801	RCZ-851	10.50	4.77	1 THRU 8
7510700-803	RCZ-851A	8.30	3.76	1 THRU 8
7510700-802	RCZ-851B	11.30	5.13	9 THRU 11
7510700-804	RCZ-851C	8.00	3.63	1 THRU 8
7510700-805	RCZ-851D	10.50	4.77	1 THRU 8
7510700-806	RCZ-851E	11.00	4.99	9 THRU 11
7510700-807	RCZ-851F	11.00	4.99	9 THRU 11
7510700-808	RCZ-851G	11.00	4.99	9 THRU 11
7510700-809	RCZ-851H	8.50	3.86	9 THRU 11
7510700-853	RCZ-853	6.90	3.13	12 THRU 14
7510700-720	RCZ-854A	11.43	5.18	9 THRU 11
7510700-726	RCZ-854E	11.13	5.05	9 THRU 11
7510700-826	RCZ-854E	11.00	4.99	9 THRU 11
7510700-727	RCZ-854F	11.13	5.05	9 THRU 11
7510700-827	RCZ-854F	11.00	4.99	9 THRU 11
7510700-728	RCZ-854G	11.13	5.05	9 THRU 11
7510700-828	RCZ-854G	11.00	4.99	9 THRU 11
7510700-729	RCZ-854H	8.63	3.91	9 THRU 11
7510700-829	RCZ-854H	8.50	3.86	9 THRU 11
7510700-861	RCZ-831	10.63	4.82	1 THRU 8
7510700-762	RCZ-833B	11.43	5.18	9 THRU 11
7510700-862	RCZ-833B	11.43	5.18	9 THRU 11
7510700-864	RCZ-833C	8.13	3.69	1 THRU 8
7510700-865	RCZ-833D	10.63	4.82	1 THRU 8
7510700-766	RCZ-833E	11.13	5.05	9 THRU 11
7510700-866	RCZ-833E	11.13	5.05	9 THRU 11
7510700-767	RCZ-833F	11.13	5.05	9 THRU 11
7510700-867	RCZ-833F	11.13	5.05	9 THRU 11
7510700-768	RCZ-833G	11.13	5.05	9 THRU 11
7510700-868	RCZ-833G	11.13	5.05	9 THRU 11
7510700-769	RCZ-833H	8.63	3.91	9 THRU 11
7510700-869	RCZ-833H	8.63	3.91	9 THRU 11
7510700-833	RCZ-833	6.90	3.13	12 THRU 14

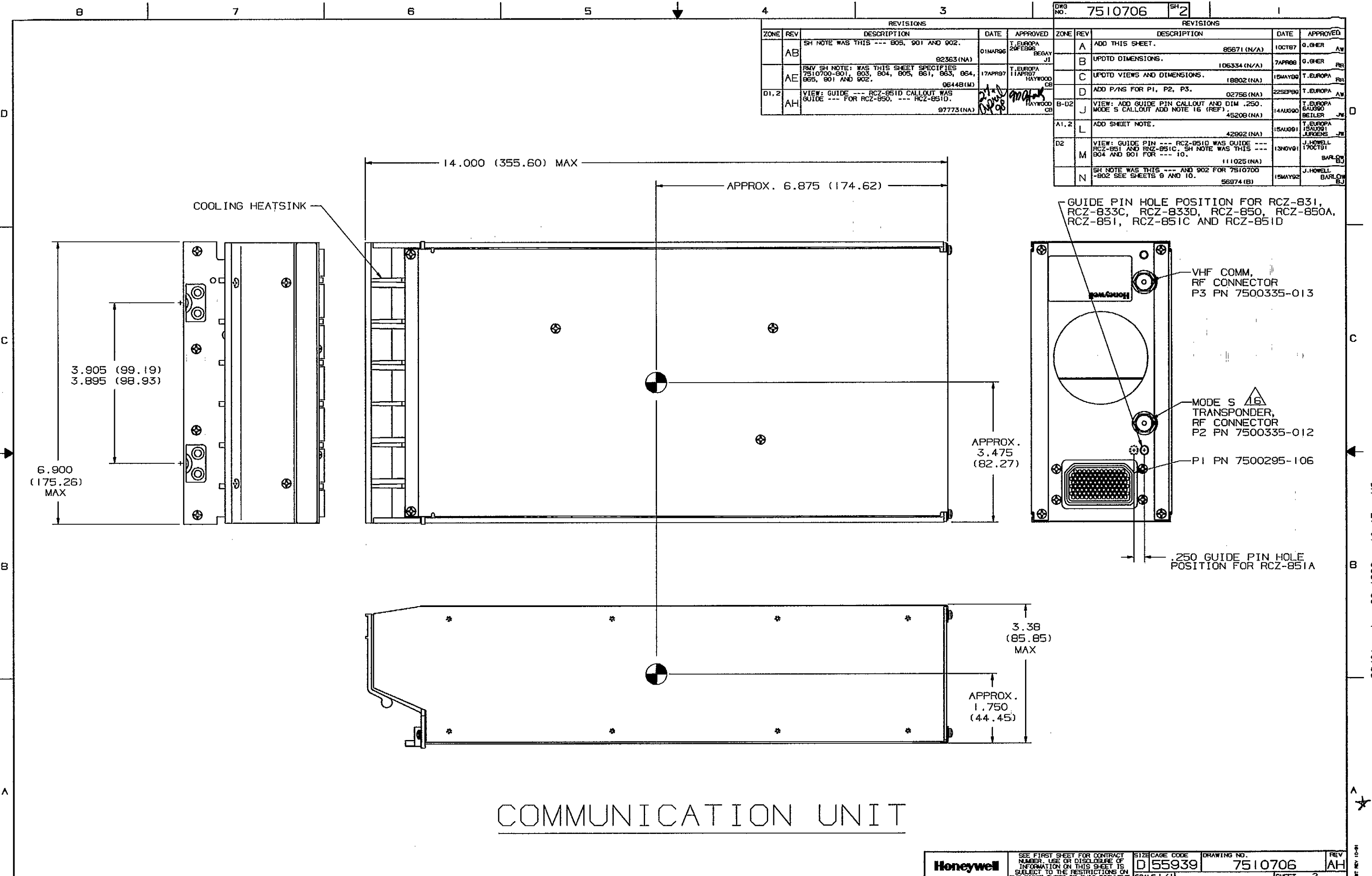
MOUNT CONNECTOR REF DESIGNATION	RF CABLE USED					
	RG-58C/U	RG-142/U, RG-142A/U, RG-142B/U, RG-400/U, OR TIMES AA6343	RG-214/U OR RG-225/U	RAYCHEM 5020A3311	HONEYWELL APPROVED 50Ω COAX CABLE	ECS 311201
J2	7500335-11	7500335-18 OR 7500335-19	7500335-10	7500335-17	7500335-20	7500335-21
J3	7500335-11	7500335-18 OR 7500335-19	N/A	7500335-17	7500335-20	N/A
J4, J7	7500631-1	7500631-1	N/A	7500621-2	CUSTOMER SUPPLIED	N/A
P1, P2	N/A	N/A	4008064	N/A	CUSTOMER SUPPLIED	N/A

CABLE TYPE	CABLE LENGTH (MIN/MAX)	MOUNT CONNECTORS J4 AND P1
RG-214/U	10FT/25FT	USED
RG-225/U	13FT/34FT	
ECS 311201	14FT/48FT	
RG-142/U, RG-142A/U, RG-142B/U, RG-400/U OR TIMES AA6343	7FT/16FT	OMIT
RAYCHEM 5020A3311	5FT/15FT	

FOR HONEYWELL REFERENCE		INTERPRET DIMENSIONS AND TOLERANCES PER ASME Y14.5M-1994		UNLESS OTHERWISE SPECIFIED, DIMENSIONS ARE IN INCHES: TOLERANCES: ANGLES: 2 PL DEC 3 PL DEC	
MFG REF NO.	OPA NO. R-0621	MATL-PROCESS-FINISH	MILITARY DESIGNATION	MATERIAL, PROCESS, FINISH, SEE 00.40.	ITEM CODE (PER EB699384)
PRODUCT LINE NO. 3851	AW/PS ANALYSIS EB 7510800				
REF DWG	REF SPEC	PROCESS			
7510814	7510814				
7510700	7510700	FINISH			
NEXT ASSY	USED ON (SYS)				

CONTRACT	RCZ-850/851 AND MT-852	OPERATIONAL NOTE	
DRAWN BY	A. WHIDDEN	DATE	3 FEB 87
DESIGNED BY	J. E. GHER	DATE	3 FEB 87
CHECKED BY	L. BURNETT	DATE	3 FEB 87
APVD FOR MFG		DATE	
APVD FOR QE		DATE	
APVD FOR ENGRG	A. METZGER	DATE	3 FEB 87
APVD FOR ENGRG		DATE	
APVD FOR		DATE	
TITLE		SIZE/CAGE CODE	DRAWING NO.
Honeywell COMMERCIAL FLIGHT SYSTEMS GROUP PHOENIX ARIZONA		D155939	7510706
OUTLINE AND INSTALLATION RCZ-8XX AND MT-8XX		SCALE 1/1	UNIT WT NOTE 2
		SHEET	1 OF 14

REVISIONS				REVISIONS					
ZONE	REV	DESCRIPTION	DATE	APPROVED	ZONE	REV	DESCRIPTION	DATE	APPROVED
	AB	SH NOTE WAS THIS --- 805, 901 AND 902. 92363 (NA)	01MAR96	T. EUROPA 20FEB96 BEGAY JI		A	ADD THIS SHEET. 85671 (N/A)	10CT87	G. GIER AW
	AE	RMV SH NOTE: WAS THIS SHEET SPECIFIES 7510700-801, 803, 804, 805, 861, 863, 864, 865, 801 AND 902. 95448 (M)	17APR97	T. EUROPA 11APR97 HAYWOOD CB		B	UPDTE DIMENSIONS. 106334 (N/A)	7APR88	G. GIER RE
D1, 2	AH	VIEW: GUIDE --- RCZ-851D CALLOUT WAS GUIDE --- FOR RCZ-850, --- RCZ-851D. 97773 (NA)	21* NOV 98	T. EUROPA 9704* HAYWOOD CB		C	UPDTE VIEWS AND DIMENSIONS. 18802 (NA)	15MAY99	T. EUROPA RE
						D	ADD P/NS FOR P1, P2, P3. 02756 (NA)	22SEP89	T. EUROPA AW
					B-D2	J	VIEW: ADD GUIDE PIN CALLOUT AND DIM .250. MODE S CALLOUT ADD NOTE 16 (REF). 45208 (NA)	14AUG90	T. EUROPA 6AUG90 BEITLER JM
					A1, 2	L	ADD SHEET NOTE. 42892 (NA)	15AUG91	T. EUROPA 15AUG91 JURGENS JM
					D2	M	VIEW: GUIDE PIN --- RCZ-851D WAS GUIDE --- RCZ-851 AND RCZ-851C. SH NOTE WAS THIS --- 804 AND 801 FOR --- 10. 111025 (NA)	13NOV91	J. HOWELL 17OCT91 BARLOW BJ
						N	SH NOTE WAS THIS --- AND 902 FOR 7510700 -802 SEE SHEETS 9 AND 10. 56974 (B)	15MAY92	J. HOWELL BARLOW BJ

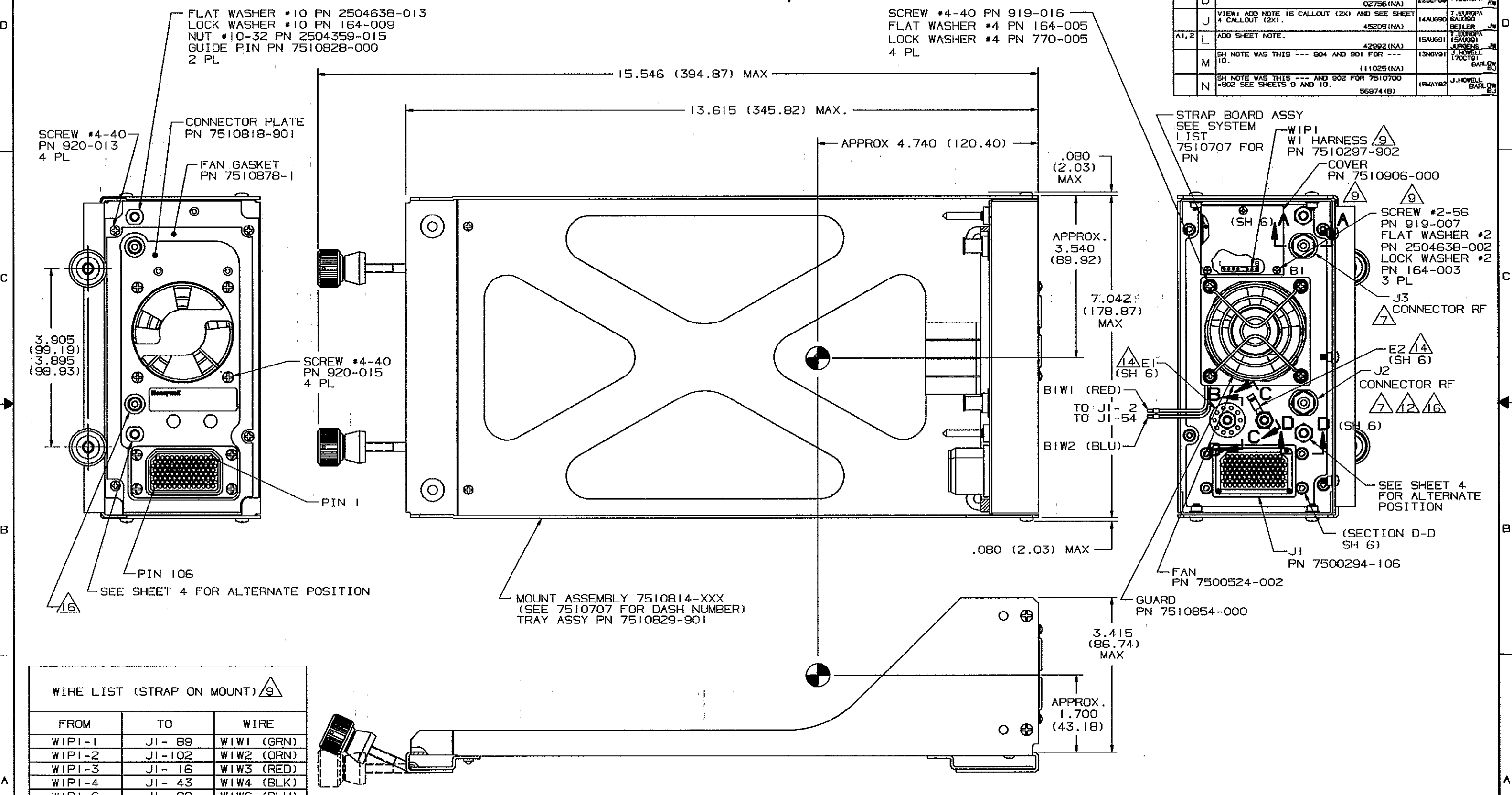


COMMUNICATION UNIT

Honeywell	SEE FIRST SHEET FOR CONTRACT NUMBER, USE OR DISCLOSURE OF INFORMATION ON THIS SHEET IS SUBJECT TO THE RESTRICTIONS ON THE FIRST SHEET OF THIS DOCUMENT.	SIZE/CAGE CODE D 55939	DRAWING NO. 7510706	REV AH
	SCALE 1/1		SHEET 2	

REV. NO.		7510706		SH 3	
ZONE	REV	DESCRIPTION	DATE	APPROVED	
A		ADD THIS SHEET.	05671 (N/A)	10CT87	G. GHER
B		UPD'D VIEW.	106334 (N/A)	7APR88	G. GHER
C		UPD'D VIEW.	18802 (N/A)	13MAY89	T. EUROPA
D		EXTENSIVELY REVISED.	02756 (NA)	22SEP90	T. EUROPA
J		VIEW: ADD NOTE 16 CALLOUT (2X) AND SEE SHEET 4 CALLOUT (2X).	45208 (NA)	14AUG90	T. EUROPA
A1,2	L	ADD SHEET NOTE.	42992 (NA)	15AUG91	T. EUROPA
M		SH NOTE WAS THIS --- 804 AND 901 FOR --- 10.	111025 (NA)	13NOV91	J. HOWELL
N		SH NOTE WAS THIS --- AND 902 FOR 7510700 -802 SEE SHEETS 9 AND 10.	56974 (B)	15MAY92	J. HOWELL

REVISIONS				REVISIONS			
ZONE	REV	DESCRIPTION	DATE	APPROVED	ZONE	REV	DESCRIPTION
AE		RMV SH NOTE: WAS THIS SHEET SPECIFIES 7510700-901, 903, 904, 905, 961, 963, 964, 965, 901 AND 902.	17APR97	T. EUROPA	AB		SH NOTE WAS THIS --- 805, 901 AND 902.
B1	AH	VIEW: (SECTION D-D SH 6) CALLOUT WAS (SECTION C-C SH 6).	04/10/98	T. EUROPA	AD		VIEW: MOUNT --- 7510829-901 CALLOUT WAS MOUNT PN 7510829-901.

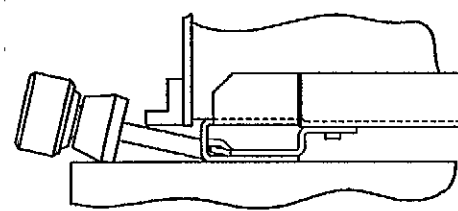
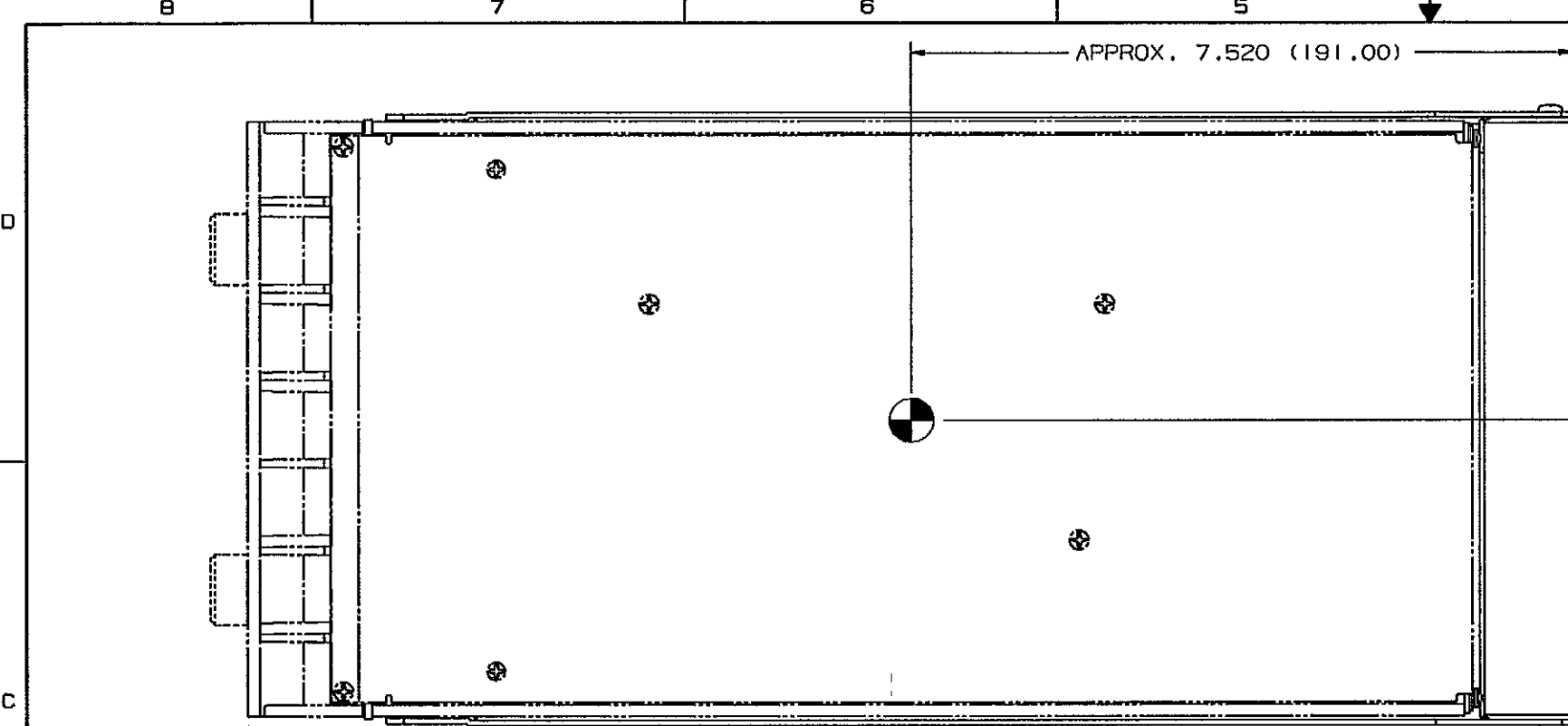


WIRE LIST (STRAP ON MOUNT) 9		
FROM	TO	WIRE
WIPI-1	J1- 89	WIW1 (GRN)
WIPI-2	J1-102	WIW2 (ORN)
WIPI-3	J1- 16	WIW3 (RED)
WIPI-4	J1- 43	WIW4 (BLK)
WIPI-6	J1- 88	WIW6 (BLU)
WIPI-7	J1-101	WIW7 (WHT)
WIPI-8	J1-103	WIW8 (YEL)

MOUNTING TRAY

Honeywell SEE FIRST SHEET FOR CONTRACT NUMBER, USE OR DISCLOSURE OF INFORMATION ON THIS SHEET IS SUBJECT TO THE RESTRICTIONS ON THE FIRST SHEET OF THIS DOCUMENT. SIZE/CAGE CODE **D 55939** DRAWING NO. **7510706** REV **AH** SHEET **3**

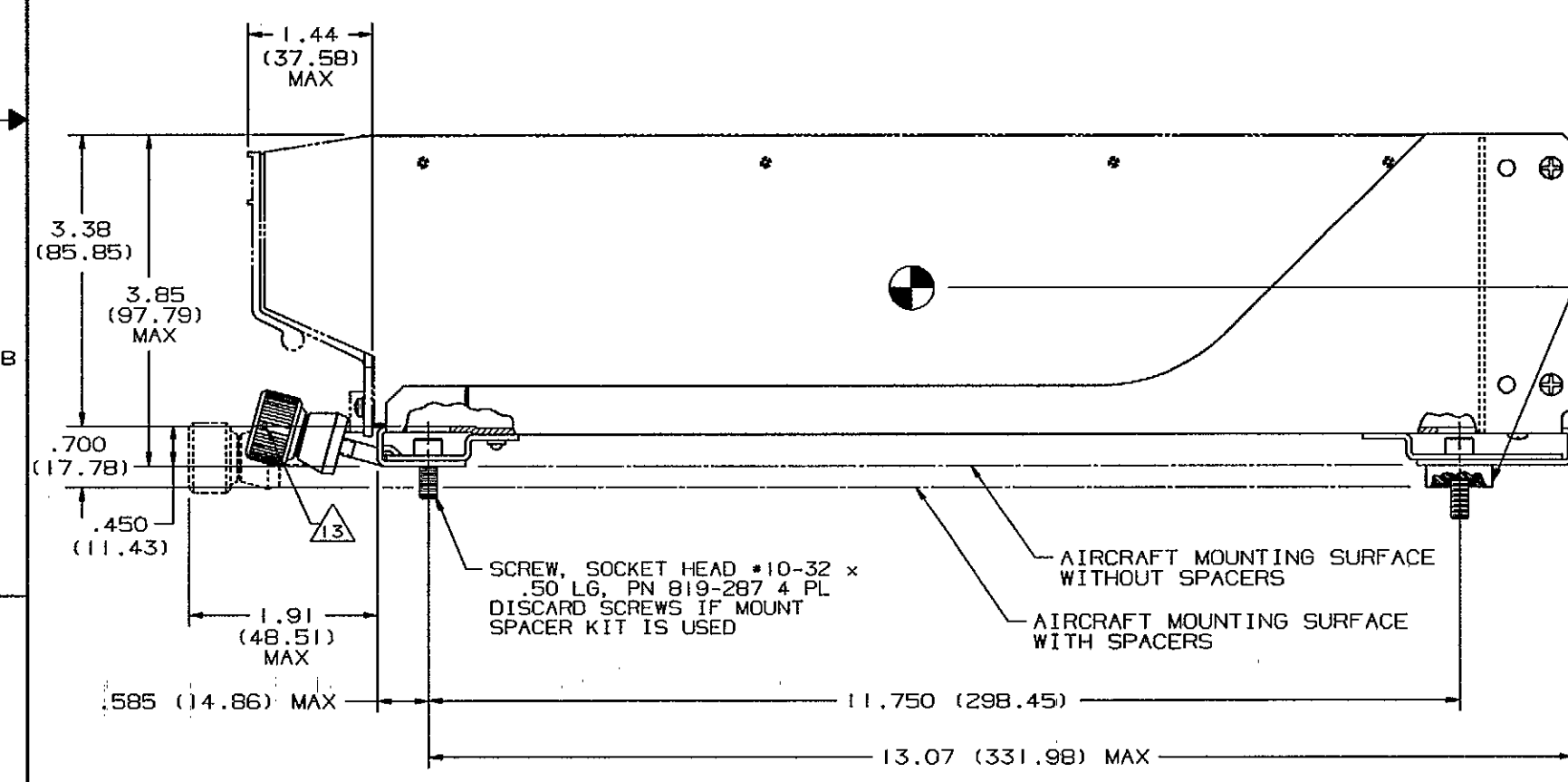
DWG NO. 7510706		SH 4	REVISIONS	
ZONE	REV	DESCRIPTION	DATE	APPROVED
	A	ADD THIS SHEET.	10CT87	G. GHER AW
	B	UPD TO VIEW.	7APR88	G. GHER AW
	C	UPD TO VIEW.	13MAY89	T. EUROPA AW
	D	EXTENSIVELY REVISED.	22SEP89	T. EUROPA AW
C1-3	J	UPD TO VIEW: ADD GUIDE PIN CALLOUT AND DIM (.250).	14AUG90	T. EUROPA SAUGG0 BELLEL JW
A1, 2	L	ADD SHEET NOTE.	15AUG81	T. EUROPA SAUGG1 JURGENS JW
	M	SH NOTE WAS THIS --- 804 AND 901 FOR --- 10.	13NOV81	J. HOWELL (7007) BARLOW BJ
	N	SH NOTE WAS THIS --- AND 902 FOR 7510700 -802 SEE SHEETS 9 AND 10.	15MAY82	J. HOWELL BARLOW BJ
	AB	SH NOTE WAS THIS --- 805, 901 AND 902.	01MAY86	T. EUROPA 26FEB86 BEGAY JI
	AE	RMV SH NOTE: WAS THIS SHEET SPECIFIES 7510700-801, 803, 804, 805, 861, 863, 864, 865, 801 AND 902.	17APR87	T. EUROPA 11APR87 HAYWOOD CB
C3	AF	VIEW: MOUNT --- 819-289 CALLOUT WAS OPTIONAL MOUNT --- 819-289. SCREW --- USED CALLOUT WAS SCREW, --- IF OPTIONAL MOUNT SPACER KIT IS USED, ADD DETAIL F. 97676(N/A)		Judy Kessler HAYWOOD CB



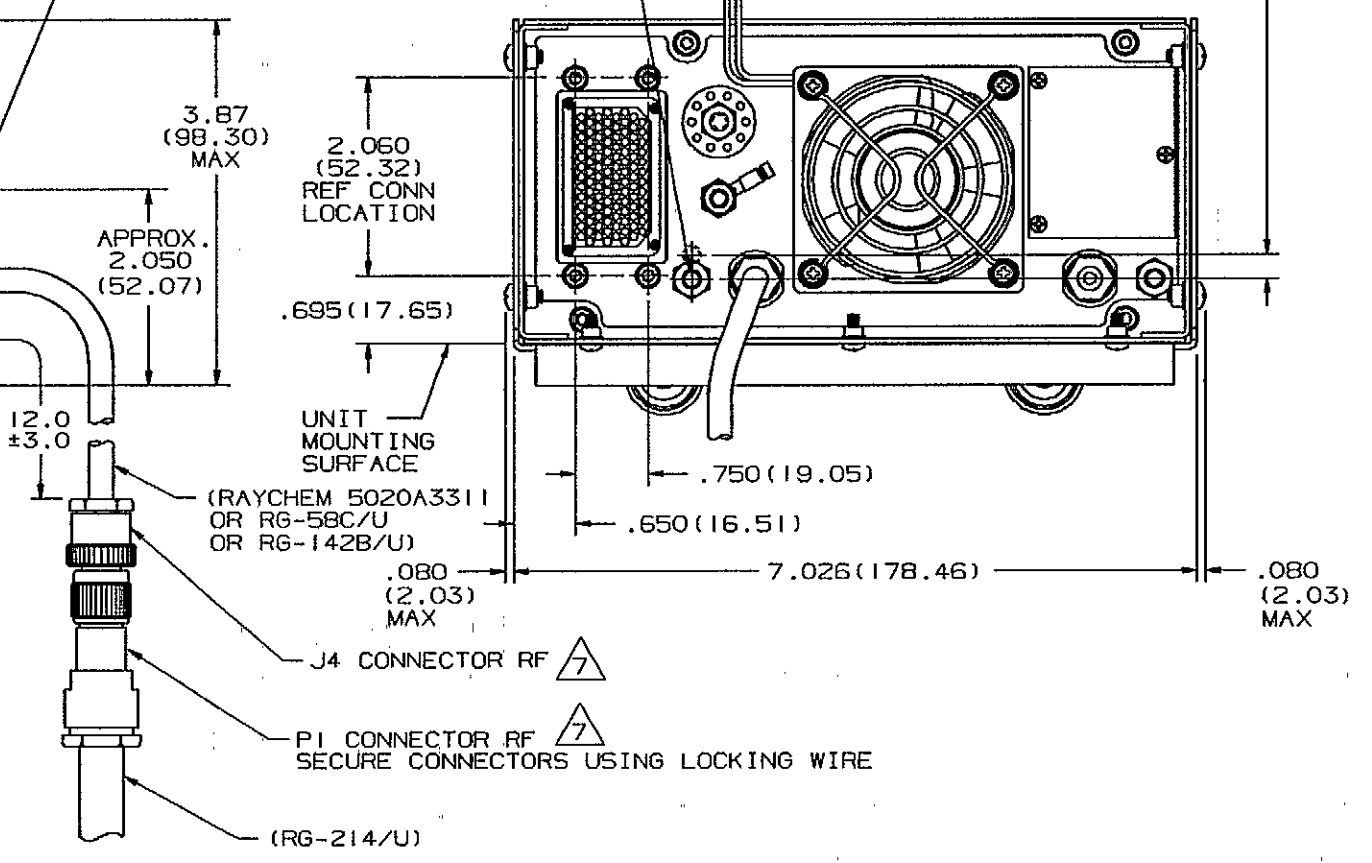
DETAIL F

△
MOUNT SPACER KIT:
SPACER PN 7500630-001
O-RING PN 1779231-006
SCREW, SOCKET HEAD #10-32 PN 819-289

(.250)GUIDE PIN POSITION FOR 7510814-802 AND 911



GUIDE PIN POSITION FOR 7510814-801, -901, -902 AND -910

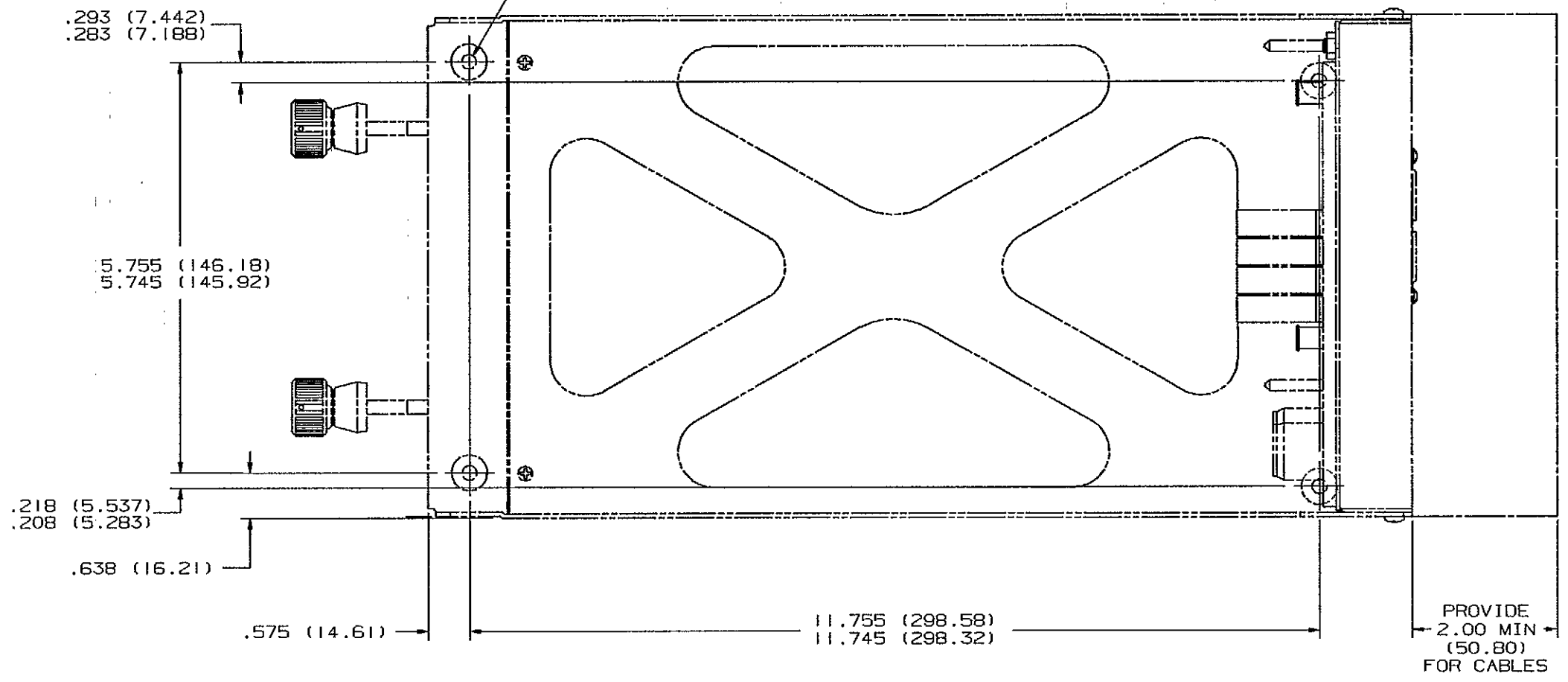


UNIT INSTALLED IN MOUNTING TRAY

Honeywell	SEE FIRST SHEET FOR CONTRACT NUMBER. USE OR DISCLOSURE OF INFORMATION ON THIS SHEET IS SUBJECT TO THE RESTRICTIONS ON THE FIRST SHEET OF THIS DOCUMENT.	SIZE/CAGE CODE	D 55939	DRAWING NO.	7510706	REV	AF
	SCALE 1/1		SHEET 4				

REVISIONS				
ZONE	REV	DESCRIPTION	DATE	APPROVED
	A	ADD THIS SHEET.	85671 (N/A) 10CT87	G. GHER AW
	B	UPDTD VIEW AND DIMENSIONS.	106334 (N/A) 7APR88	G. GHER REV
	C	UPDTD VIEW AND DIMENSIONS.	18602 (N/A) 15MAY89	T. EUROPA RR
	D	UPDTD VIEW.	02756 (NA) 22SEP89	T. EUROPA AW
A1, 2	L	ADD SHEET NOTE.	42992 (NA) 15AUG91	T. EUROPA 15AUG91 JURGENS JW
	M	SH NOTE WAS THIS --- 804 AND 901 FOR --- 10.	111025 (NA) 13NOV91	J. HOWELL 17OCT91 BARLOW BJ
	N	SH NOTE WAS THIS --- AND 902 FOR 7510700 -902 SEE SHEETS 9 AND 10.	56974 (B) 15MAY92	J. HOWELL BARLOW BJ
	AB	SH NOTE WAS THIS --- 805, 901 AND 902.	92363 (NA) 01MAR96	T. EUROPA 28FEB96 BEGAY JI
	AE	RMV SH NOTE: WAS THIS SHEET SPECIFIES 7510700-801, 803, 804, 805, 861, 863, 864, 865, 901 AND 902.	96448 (M) 04AP97	HAYWOOD CB

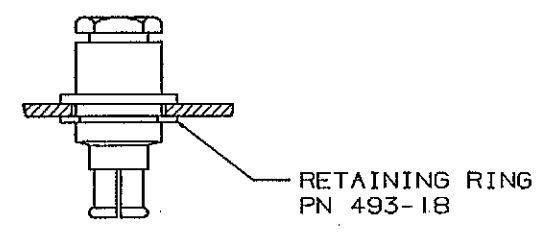
REQUIRES NUT PLATE, TAPPED HOLE OR CLEARANCE FOR .190-32 (NO. 10) SOCKET HEAD SCREW, 4 HOLES.



MOUNTING TRAY HOLE PATTERN

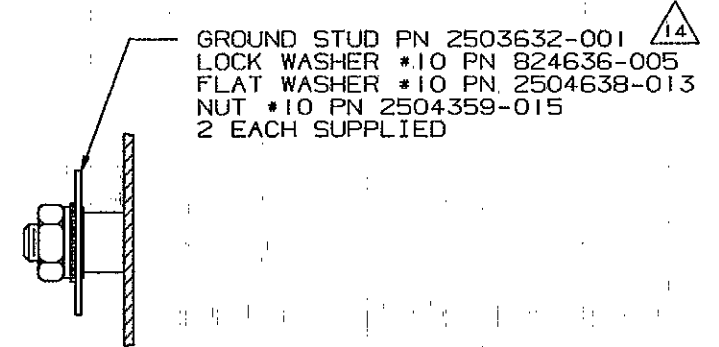
DWD NO. 7510706		SH 6		1	
REVISIONS					
ZONE	REV	DESCRIPTION	DATE	APPROVED	
	A	ADD THIS SHEET.	10OCT87	J. OHER	AW
	C	UPDTE SECTIONS AND ASSEMBLY INSTRUCTIONS. 85671 (N/A) 18902 (NA)	15MAY88	T. EUROPA	FR
	D	EXTENSIVELY REVISED. 02756 (NA)	22SEP89	T. EUROPA	AW
	N	ADD SHEET NOTE. 56974 (B)	15MAY92	J. HOWELL	BARLOW
	AB	SH NOTE WAS THIS --- 805, 901 AND 902. 92363 (NA)	01MARG86	T. EUROPA	28 FEB 86 BEGAY JI
	AE	RMV SH NOTE: WAS THIS SHEET SPECIFIES 7510700-801, 803, 804, 805, 861, 863, 864, 865, 901 AND 902. 95448 (M)	17 APR 97	HAYWOOD	11 APR 97

ASSEMBLY INSTRUCTIONS FOR 7510631-001, 4008064-000, AND 7500631-002



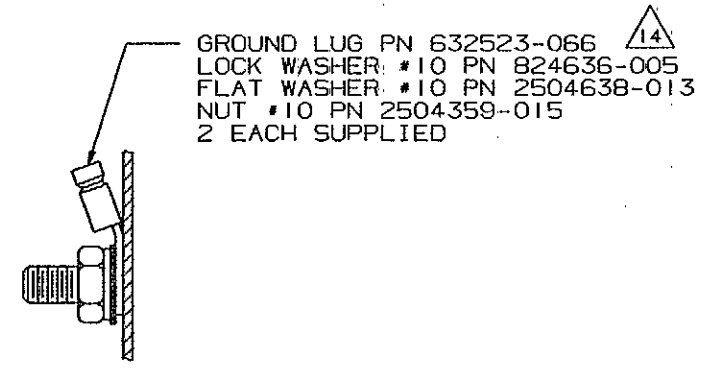
SECTION A-A (SH 3)

SCALE: 2/1
(J2 AND J3)



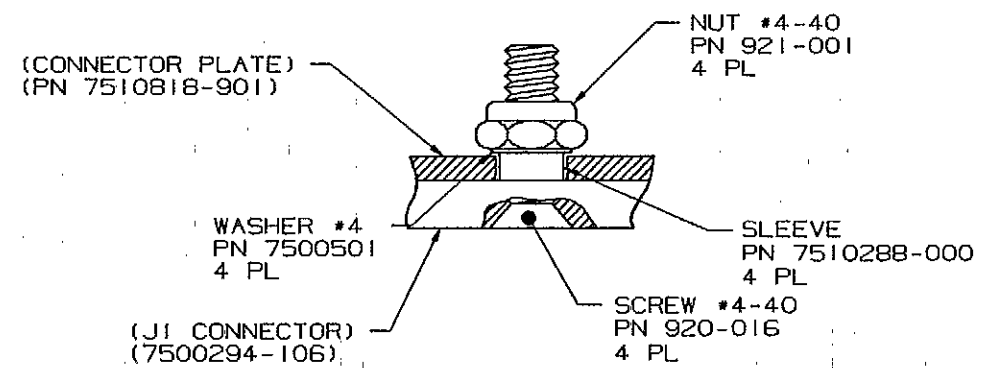
SECTION B-B (SH 3)

SCALE: 2/1
OPTIONAL 2 PL (E1 AND E2)



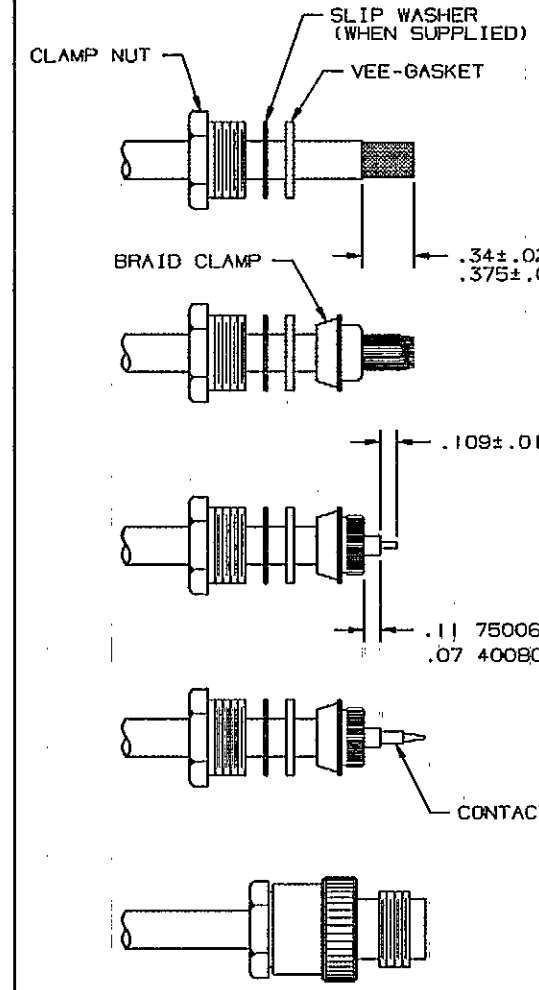
SECTION C-C (SH 3)

(ROTATED 30° CLOCKWISE)
SCALE: 2/1
OPTIONAL 2 PL (E1 AND E2)



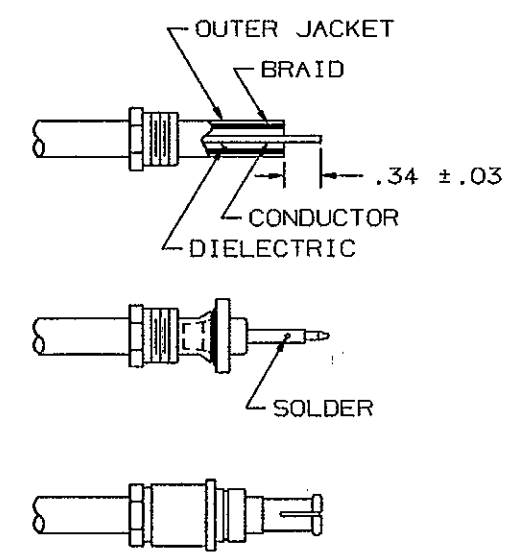
SECTION D-D (SH 3)

SCALE: 2/1



- CUT CABLE END SQUARE, PLACE CLAMP NUT, SLIP WASHER (WHEN SUPPLIED), AND GASKET OVER JACKET. REMOVE JACKET TO DIMENSION SHOWN.
- COMB OUT BRAID AND TAPER FORWARD. PLACE BRAID CLAMP OVER BRAID AGAINST JACKET CUT.
- FOLD BRAID BACK OVER BRAID CLAMP AND TRIM AS SHOWN. REMOVE DIELECTRIC TO DIMENSION SHOWN. CUT CENTER CONDUCTOR TO DIMENSION SHOWN.
- SOLDER CONTACT TO CENTER CONDUCTOR.
- THREAD ASSEMBLY INTO CONNECTOR AND LOCK SECURELY. VEE-GASKET MUST BE SPLIT BY BRAID CLAMP.

ASSEMBLY INSTRUCTIONS FOR 7500335-011



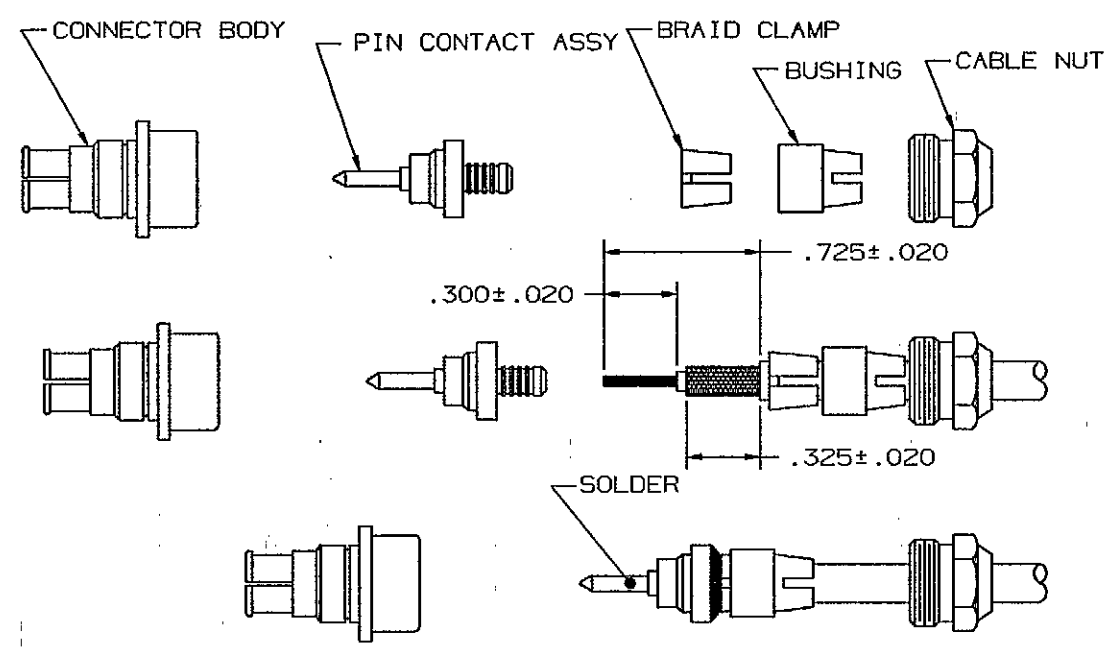
- CLEANLY CUT OUTER JACKET, BRAID, AND DIELECTRIC (PRIMARY INSULATION), EXPOSING CENTER CONDUCTOR $.34 \pm .03$ AS SHOWN. SLIDE CABLE NUT ONTO CABLE.
- INSERT CENTER CONDUCTOR INTO CONTACT ASSEMBLY AND FORCE THE EDGE OF THE TAPERED CLAMPING SLEEVE BETWEEN THE BRAID AND THE DIELECTRIC (PRIMARY INSULATION). DIELECTRIC AND CENTER CONDUCTOR SLIDE INTO TAPERED CLAMPING SLEEVE WHILE BRAID AND OUTER JACKET SHOULD RIDE WELL UP ON TAPER. SOLDER CENTER CONDUCTOR TO CONTACT.

INSERT CONTACT SUB-ASSEMBLY INTO CONNECTOR BODY, TIGHTEN CABLE NUT INTO BODY, COMPRESSING OUTER JACKET INTO BRAID.

SCALE: NONE

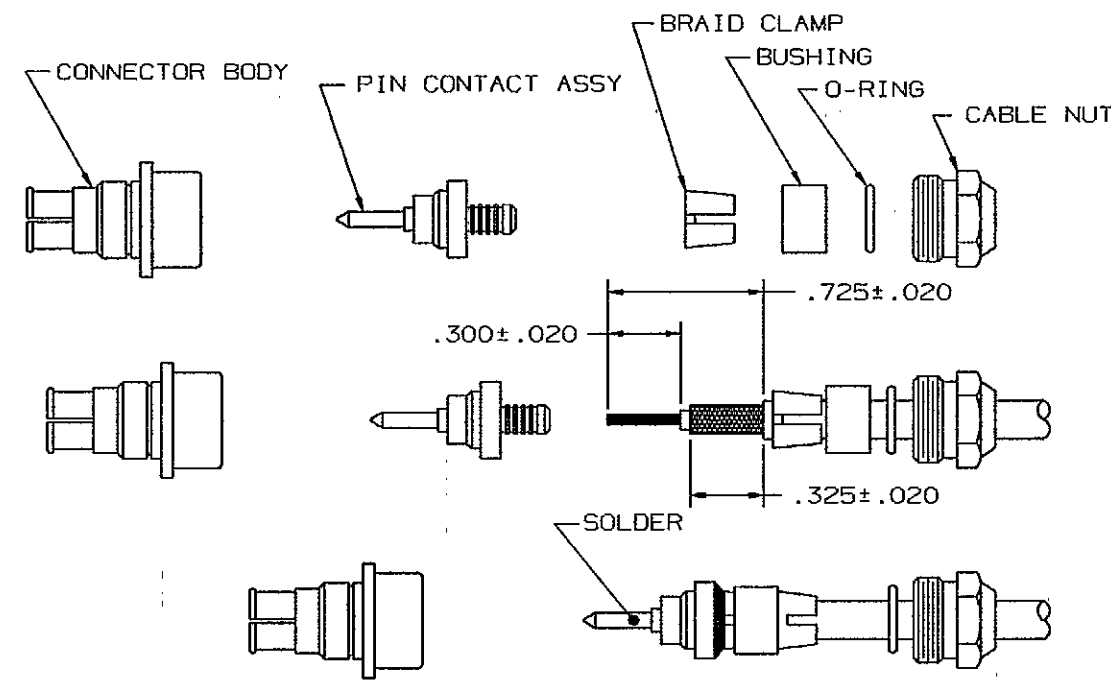
REVISIONS				
ZONE	REV	DESCRIPTION	DATE	APPROVED
	D	ADD THIS SHEET.	02756 (NA) 12SEP89	T. EUROPA AW
	E	ADDED ASSY INST FOR 7510335-010	26933 (NA) 17OCT89	T. EUROPA AW
	F	ADDED ASSY INST FOR 7500335-019. MOVE -010 AND DETAIL TO SH B.	113790 (NA) 8JAN90	T. EUROPA 2JAN90 CB
	N	ADD SHEET NOTE.	56974 (B) 15MAY92	J. HOWELL BARLOW BJ
	AB	SH NOTE WAS THIS --- 905, 901 AND 902.	92363 (NA) 01MAR93	T. EUROPA 28FEB93 DEBAY JI
	AE	REV SH NOTE: WAS THIS SHEET SPECIFIES 7510700-901, 903, 904, 905, 906, 907, 908, 909, 910, 911, 912, 913, 914, 915, 916, 917, 918, 919, 920, 921, 922, 923, 924, 925, 926, 927, 928, 929, 930, 931, 932, 933, 934, 935, 936, 937, 938, 939, 940, 941, 942, 943, 944, 945, 946, 947, 948, 949, 950, 951, 952, 953, 954, 955, 956, 957, 958, 959, 960, 961, 962, 963, 964, 965, 966, 967, 968, 969, 970, 971, 972, 973, 974, 975, 976, 977, 978, 979, 980, 981, 982, 983, 984, 985, 986, 987, 988, 989, 990, 991, 992, 993, 994, 995, 996, 997, 998, 999, 1000.	96449 (M) 04JUN97	W. WOOD 11/1/97 CB

ASSEMBLY INSTRUCTIONS FOR 7500335-017 AND 7500335-018



1. PLACE CABLE NUT, BUSHING AND BRAID CLAMP OVER CABLE OUTER JACKET AS SHOWN. TRIM CABLE JACKET, BRAID AND DIELECTRIC TO DIMENSIONS SHOWN. TWIST CENTER CONDUCTOR STRANDS, LIGHTLY TIN.
2. SLIDE PIN CONTACT ASSEMBLY OVER INNER DIELECTRIC AND CENTER CONDUCTOR. MAKE CERTAIN CENTER CONDUCTOR IS VISIBLE THROUGH HOLE AND CONTACT ASSEMBLY IS PUSHED ON CABLE AS FAR AS POSSIBLE. SOLDER THIS ASSEMBLY AS SHOWN. PUSH BRAID CLAMP AND BUSHING OVER SHIELD AS FAR AS POSSIBLE. INSERT FINISHED CABLE ASSEMBLY INTO CONNECTOR BODY. SLIDE CABLE NUT FORWARD AGAINST BACK END OF CONTACT ASSEMBLY AND TIGHTEN CABLE NUT.

ASSEMBLY INSTRUCTIONS FOR 7500335-019



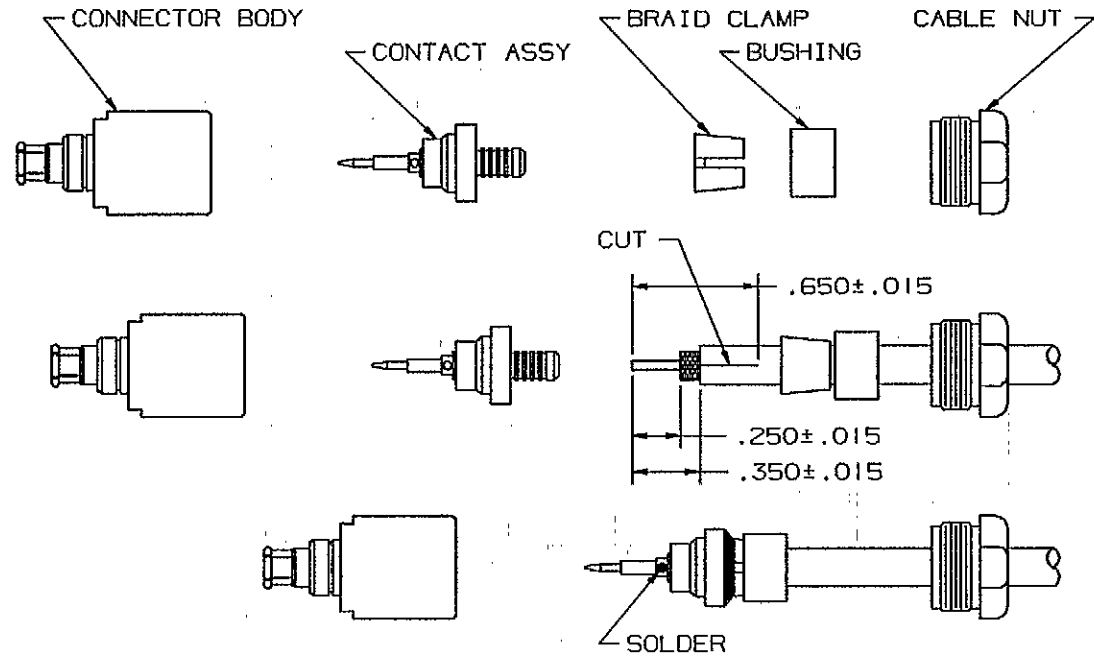
1. PLACE CABLE NUT, O-RING, BUSHING AND BRAID CLAMP OVER CABLE OUTER JACKET AS SHOWN. TRIM CABLE JACKET, BRAID AND DIELECTRIC TO DIMENSIONS SHOWN. TWIST CENTER CONDUCTOR STRANDS, LIGHTLY TIN.
2. SLIDE PIN CONTACT ASSEMBLY OVER INNER DIELECTRIC AND CENTER CONDUCTOR. MAKE CERTAIN CENTER CONDUCTOR IS VISIBLE THROUGH HOLE AND CONTACT ASSEMBLY IS PUSHED ON CABLE AS FAR AS POSSIBLE. SOLDER THIS ASSEMBLY AS SHOWN. PUSH BRAID CLAMP AND BUSHING OVER SHIELD AS FAR AS POSSIBLE. INSERT FINISHED CABLE ASSEMBLY INTO CONNECTOR BODY. SLIDE CABLE NUT FORWARD AGAINST BACK END OF BUSHING AND TIGHTEN CABLE NUT.

8840A APR 10, 1997 10:45 MS

REV NO.		7510706	SH B	1
REVISIONS				
ZONE	REV	DESCRIPTION	DATE	APPROVED
F		ADD THIS SHEET. VIEWS WERE ON SH 7.	BJANGO	T. EUROPA 2/JANGO
		113780 (NA)		GB
K		ADD ASSY INSTRUCTIONS FOR 7500335-021.	(B)JUL01	T. EUROPA 16/JUL01 WALTHER BJ
		42968 (NA)		
N		ADD SHEET NOTE.	15MAY02	J. HOWELL BARLOW BJ
		56074 (B)		
AA		UTD VIEW: DETAIL E: ADD DIM 1.94, 1.045, 2X .20, 2.16, 1.80 AND 2X 6 FT. ADD KIT --- 7510359-953 CALLOUT, ADD WEIGHT .25 LB. B3248-2 (NA)	02MAR05	T. EUROPA 28/FEB05 HAYWOOD JI
AB		SH NOTE WAS THIS --- 805, 901 AND 902.	01MAR06	T. EUROPA 28/FEB06 BEGAY JI
		92363 (NA)		
AE		NAV SH NOTE: WAS THIS SHEET SPECIFICS 7510700-801, 803, 804, 805, 861, 863, 864, 865, 901 AND 902.		HAYWOOD 11/28/97
		86449 (M)		

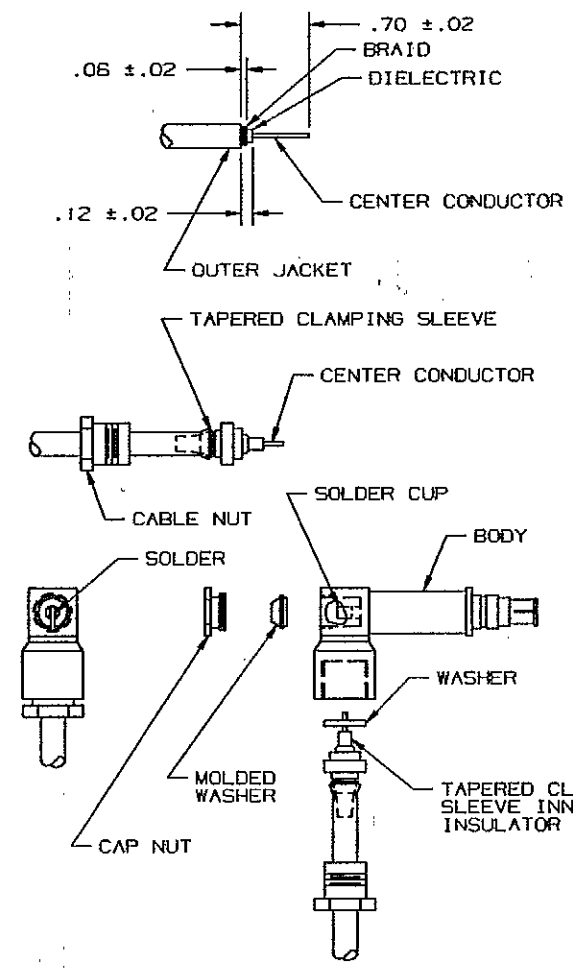
ASSEMBLY INSTRUCTIONS FOR 7500335-021

- CUT CABLE END SQUARE BY ROLLING BETWEEN KNIFE AND FLAT SURFACE.
- CUT THRU TO CENTER CONDUCTOR .250±.015 FROM CABLE END WITH METHOD DESCRIBED IN NOTE 1.
- CUT BLACK JACKET .350±.015 FROM CABLE END AND CUT TWO LONGITUDINAL CUTS 180° APART .650±.015 FROM CABLE END, LIGHTLY TIN CENTER CONDUCTOR.
- PLACE CABLE NUT AND BUSHING OVER JACKET. EXPAND BRAID CLAMP AND SLIDE OVER CABLE JACKET. LOCATE SLOT ON CLAMP 90°±10° FROM CUTS IN CABLE JACKET.
- CAREFULLY FAN OUTER WIRE BRAID OUTWARD. LEAVE MIDDLE FOIL SHIELD AND INNER RIBBON UNDISTURBED.
- SLIDE CONTACT ASSEMBLY BARREL BETWEEN MIDDLE FOIL SHIELD AND OUTER WIRE BRAID MAKING SURE THAT THE CENTER CONDUCTOR IS VISIBLE THRU INSPECTION HOLE. SOLDER CONTACT.
- PUSH BRAID CLAMP AND BUSHING FORWARD OVER SHIELD AS FAR AS POSSIBLE. SLIDE CABLE NUT OVER BUSHING AND INSERT FINISHED ASSEMBLY INTO CONNECTOR BODY. TIGHTEN CABLE NUT COMPLETELY TO SEAL CABLE ASSEMBLY.



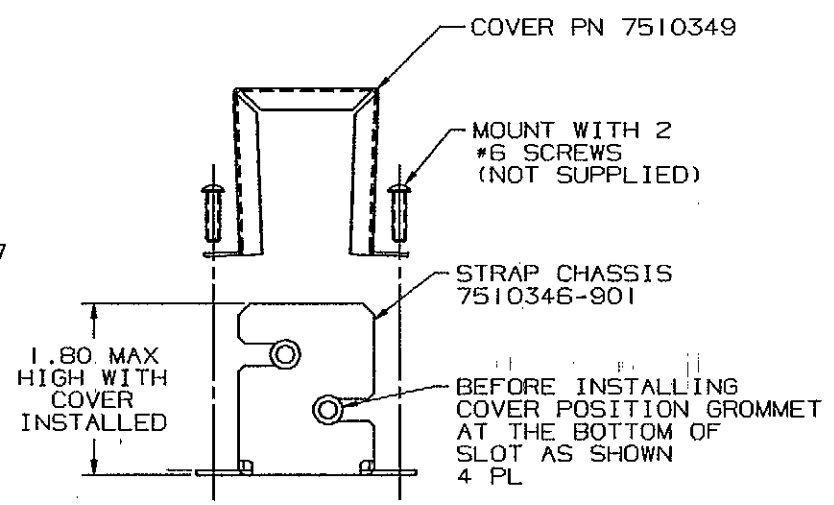
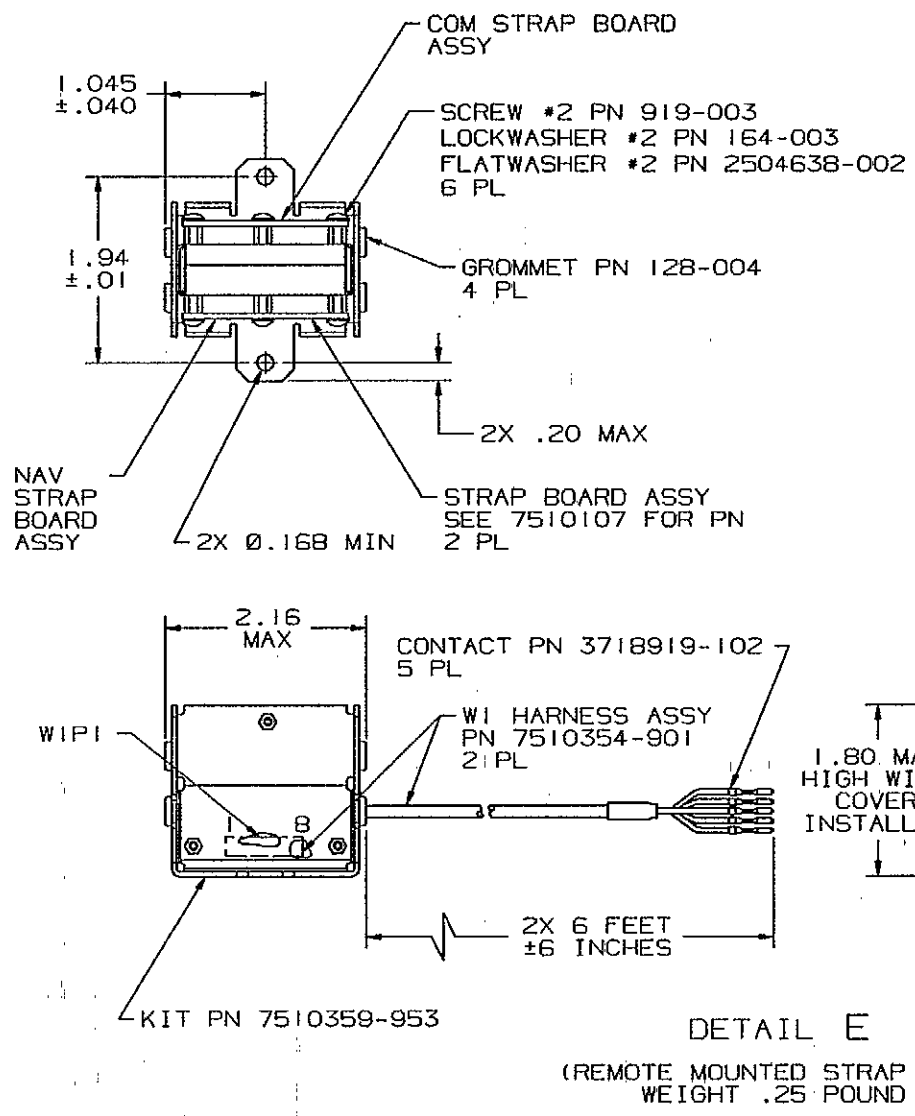
ASSEMBLY INSTRUCTIONS FOR 7510335-010

- CUT CABLE TO DIMENSIONS SHOWN.
- INSERT CABLE INTO TAPERED CLAMPING SLEEVE, FORCE SLEEVE BETWEEN THE BRAID AND DIELECTRIC. DIELECTRIC AND CENTER CONDUCTOR SLIDE INTO TAPERED CLAMPING SLEEVE AND INSULATOR WHILE BRAID AND OUTER CONDUCTOR SHOULD RIDE WELL UP ON TAPER.
- INSTALL WASHER AROUND TAPERED CLAMPING SLEEVE INNER INSULATOR AND INSERT INTO CONNECTOR BODY. TIGHTEN CABLE NUT INTO BODY, COMpressing OUTER JACKET INTO BODY, SOLDER CENTER CONDUCTOR TO SOLDER CUP. INSTALL MOLDED WASHER AND CAP NUT.



FOR NAV WIRE LIST SEE DWG 7510106


WIRE LIST (REMOVE MOUNTED)		
FROM	TO	WIRE
WIPI-2	J1-102	W1 (WHT)
WIPI-6	J1-88	W1 (BLK)
WIPI-7	J1-101	W2 (WHT)
WIPI-3	J1-16	W2 (BLK)
WIPI-4	J1-43	W3 (BLK)



8840A APR 10, 1997 13:08 MS

REVISED		REVISIONS		
ZONE	REV	DESCRIPTION	DATE	APPROVED
	N	ADD THIS SHEET.	15MAY82	J. TROXEL BARLOW BJ
	T	NOTES: NOTE 3 WAS: TO ASSURE --- SHALL BE 15 MILLIOHMS --- INSTALLED. NOTE 10 AND 11 EXTENSIVELY REVISED. NOTE 12 WAS: FOR NON-DIVERSITY --- CONFIGURATION (B) : GND, B0 : GND). SH NOTE WAS: THIS SHEET SPECIFIES 7510700-802 AND 806.	6JUL83	J. TROXEL BARLOW JK
	Y	SH NOTE WAS THIS --- -807 AND -808.	06OCT84	R. PAULSEN 04OCT84 JACOBS CB
	AB	SH NOTE WAS THIS --- -806, -807, -808 AND -809.	01MAR86	T. EUROPA 28FEB86 BEGAY JI
	AC	NOTES: ADD NOTE 13. SEE SH 1.	18OCT86	T. EUROPA 10OCT86 HAYWOOD JI
	AE	REV SH NOTE: WAS THIS SHEET SPECIFIES 7510700-802, -806 THRU -808, -826 THRU -829, -862 AND -866 THRU -869.	17APR87	T. EUROPA 11APR87 HAYWOOD CB
	AF	NOTES: NOTE 2 EXTENSIVELY REVISED.		

NOTES:
(UNLESS OTHERWISE SPECIFIED):

- ALL DIMENSIONS IN PARENTHESIS () ARE IN MILLIMETERS.
- WHEN INSTALLING MOUNT ON A FLAT SURFACE (SEE DETAIL F, SHEET 4) USE SPACER KIT 7510351-901 TO ALLOW REMOVAL OF RADIO FROM THE MOUNTING TRAY.
- TO ASSURE PROPER GROUNDING OF THIS SYSTEM, THE AIRCRAFT SURFACE TO WHICH ALL MOUNTINGS OR UNITS ARE ATTACHED MUST BE CLEAN BARE METAL. MOUNT TO AIRCRAFT RESISTANCE SHALL BE 2.5 MILLIOHMS MAX. WITHOUT WIRING INSTALLED.
- STRAP BUS MOUNTED ON MOUNT SHOWN, FOR REMOTE MOUNTED STRAP BUS SEE DETAIL E AND WIRE LIST (REMOTE MOUNTED).
-  DENOTES APPROXIMATE CENTER OF GRAVITY.
- FOR ASSEMBLIES, KITS AND ACCESSORIES SEE:
7510707 SYSTEM LIST
7510359 CONNECTOR KIT

- SECURE THUMB NUTS OF P1, P2 AND P3 AND MOUNT USING LOCKING WIRE.
- MAXIMUM RECOMMENDED TIGHTENING TORQUE 11 IN.-LBS.
- CONNECTORS J1, J2, J3, J5 AND J6 MUST FLOAT. ALLOW 6 INCHES MIN OF CABLE LENGTH FROM REAR OF CONNECTORS J1, J3, AND J5 TO ANY CABLE CLAMPING DEVICE.

10. THE INDIVIDUAL RF CABLES BETWEEN THE ANTENNA AND THE TRANSPONDER UNIT (INCLUDING CONNECTORS) SHALL HAVE A NOMINAL CHARACTERISTIC IMPEDANCE OF 50 OHMS WITH A TOTAL INSERTION LOSS OF 2±1dB OVER THE 1030 TO 1090 MHz FREQUENCY BAND.
THE FOLLOWING TABLE SHOULD BE USED FOR MINIMUM/MAXIMUM TRANSPONDER CABLE LENGTHS FOR A GIVEN TYPE OF CABLE. THE PROPEGATION DELAY FACTOR IN NANO-SECONDS PER FOOT IS USED FOR DIVERSITY TRANSPONDER INSTALLATIONS:

CABLE TYPE	CABLE LENGTH (FEET)		PROPEGATION DELAY FACTOR (NSEC/FOOT)
	MIN	MAX	
RG-142/U	7	16	1.47
RG-214/U	10	25	1.54
RG-218/U	26	60	1.54
RG-225/U	13	34	1.47
RG-393/U	13	34	1.47

- FOR TRANSPONDER INSTALLATIONS WHICH REQUIRE DIVERSITY ANTENNAS, THE FOLLOWING REQUIREMENTS APPLY.
 - THE DISTANCE BETWEEN TOP AND BOTTOM ANTENNAS ON THE HORIZONTAL PLANE SHALL NOT EXCEED 25 FEET (7.6 METERS).
 - THE LENGTHS OF THE TOP AND BOTTOM ANTENNA CABLES SHALL BE MATCHED SO THAT THE DIFFERENCE BETWEEN THE MEAN REPLY DELAYS OF SIGNALS AT THE TOP AND BOTTOM ANTENNAS SHALL NOT EXCEED 50 NANO-SECONDS. THE REPLY DELAY IS THE TIME BETWEEN THE INTERROGATION AND REPLY AS MEASURED AT THE ANTENNA OR THE ANTENNA END OF THE TRANSPONDER TO ANTENNA CABLE. DIFFERENCES IN THE ANTENNA CABLE DELAY MAY BE COMPENSATED BY ANTENNA CABLE STRAPS W44 AND W45.

FOR STANDARD CABLES, COMPUTE THE DIFFERENCE IN THE TOP AND BOTTOM CABLE LENGTH (TOP LENGTH - BOTTOM LENGTH) AND USE THE FOLLOWING TABLE TO SET ANTENNA CABLE STRAPS W44 AND W45:

ANTENNA CABLE STRAP	NOT ALLOWED	BOTTOM>TOP W44 UN CUT W45 CUT	BOTTOM=TOP W44 CUT W45 CUT	TOP>BOTTOM W44 CUT W45 UN CUT	NOT ALLOWED
CABLE TYPE	TOP LENGTH - BOTTOM LENGTH (FEET)				
RG-142/U	LESS THAN -42.5	-42.5 TO -14.3	-14.2 TO +14.2	+14.3 TO +42.5	GREATER THAN +42.5
RG-214/U	LESS THAN -40.6	-40.6 TO -13.6	-13.5 TO +13.5	+13.6 TO +40.6	GREATER THAN +40.6

FOR CABLES NOT LISTED ABOVE WHICH HAVE DIFFERENT PROPEGATION DELAY FACTORS THAN THOSE IN THE ABOVE TABLES, USE THE FOLLOWING FORMULA TO COMPUTE THE STRAP SETTINGS:

REPLY DELAY = (TOP LENGTH - BOTTOM LENGTH) * 2 * DELAY FACTOR

WHERE:

- REPLY DELAY = MEAN REPLY DELAY BETWEEN TOP AND BOTTOM ANTENNAS (NANO-SECONDS)
- TOP LENGTH = LENGTH OF TOP ANTENNA CABLE (FEET)
- BOTTOM LENGTH = LENGTH OF BOTTOM ANTENNA CABLE (FEET)
- DELAY FACTOR = PROPEGATION DELAY FACTOR (NANO-SECONDS PER FOOT)

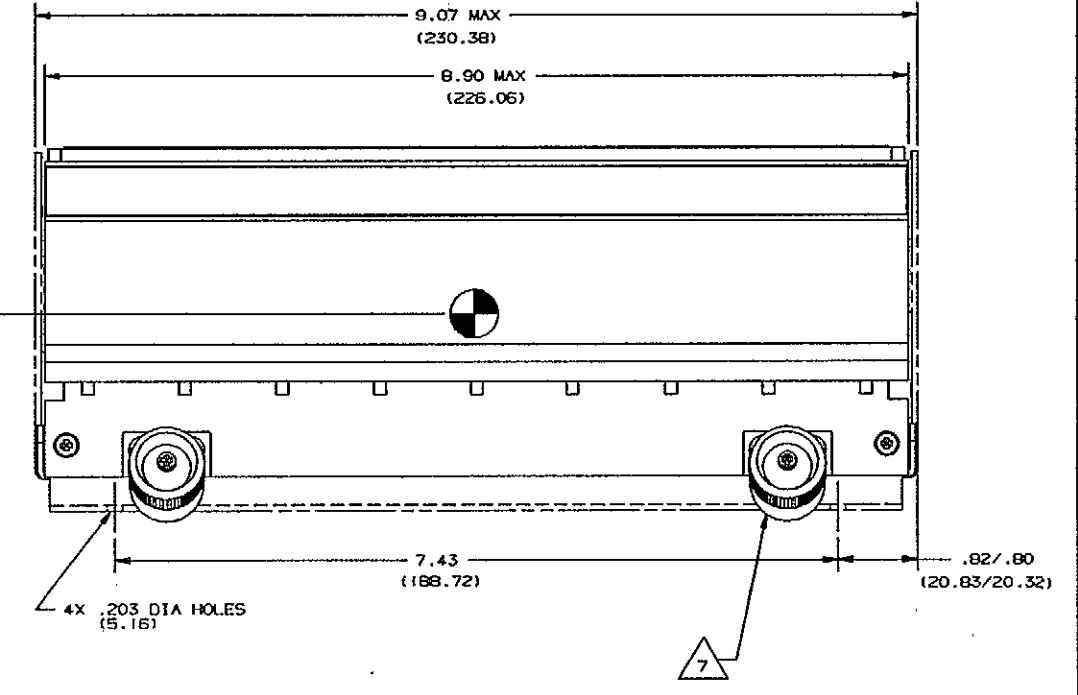
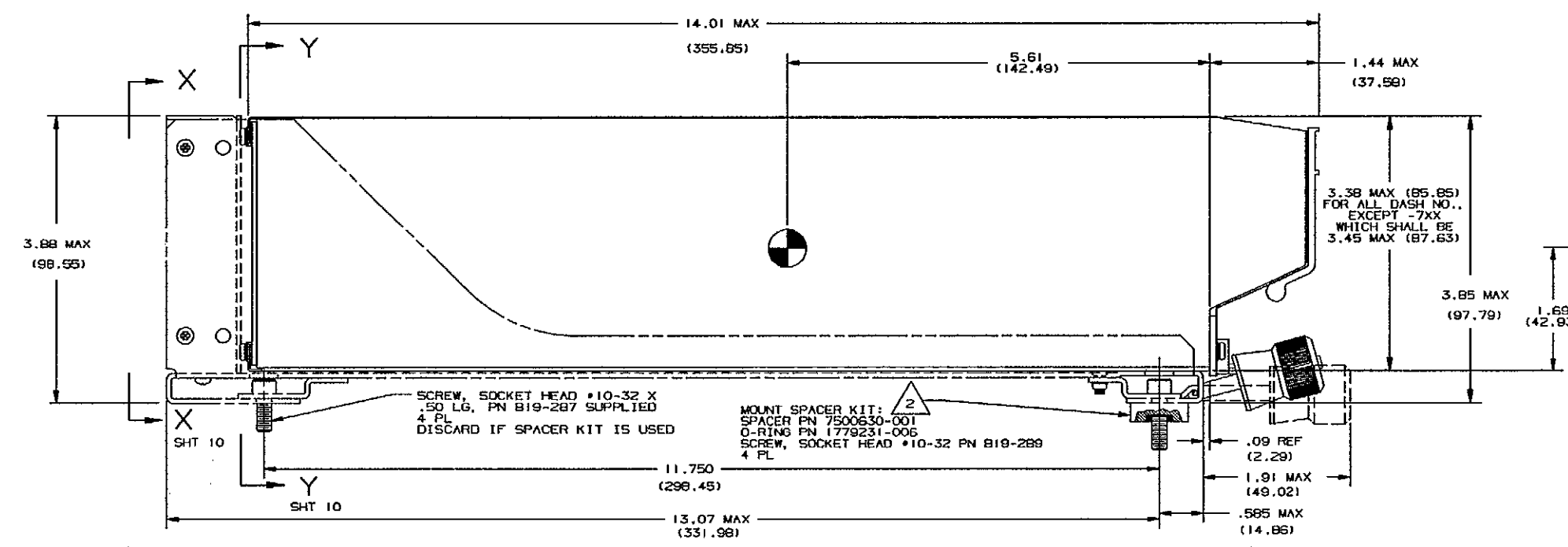
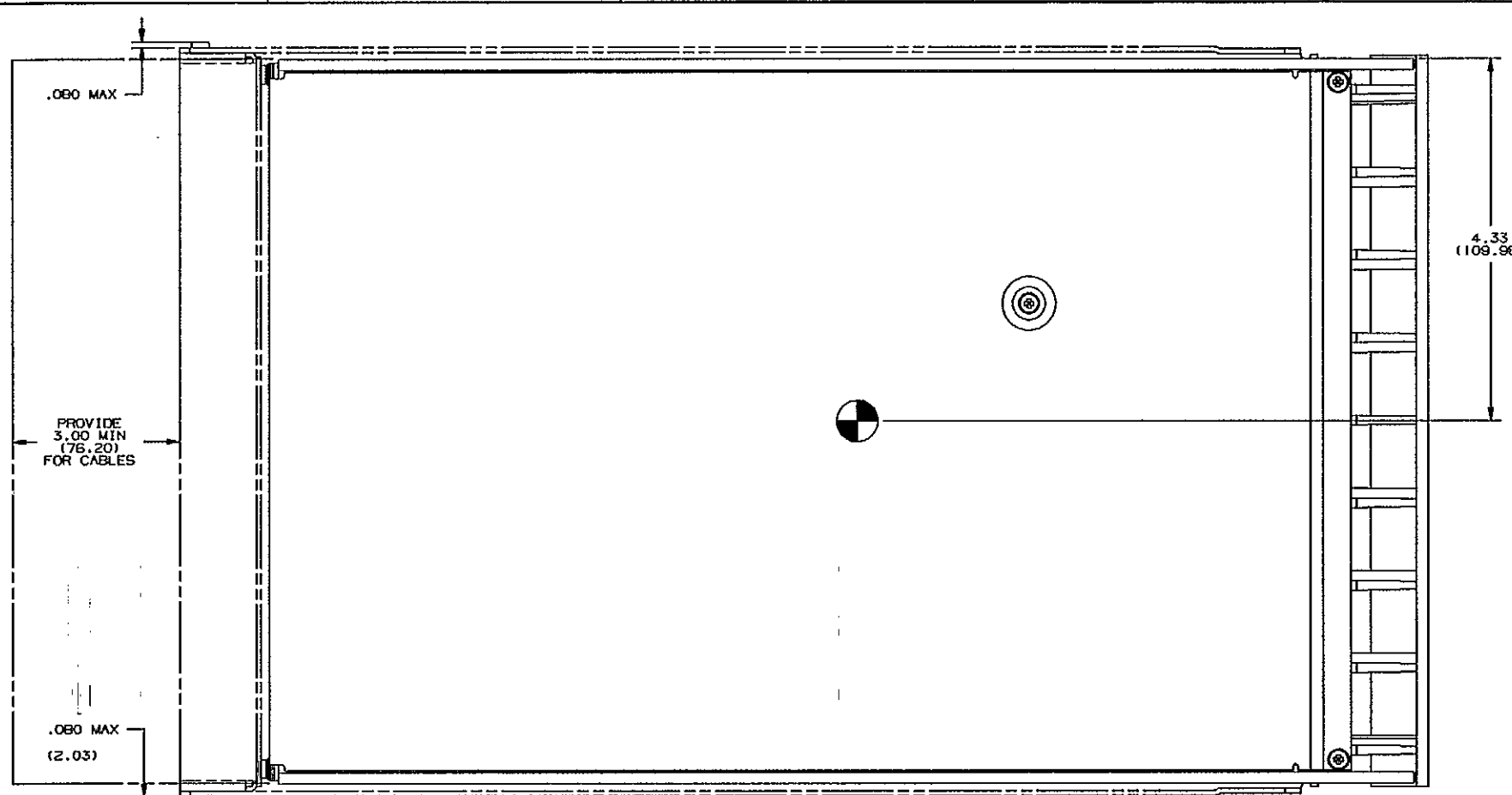
NOT ALLOWED	BOTTOM>TOP W44 UN CUT W45 CUT	BOTTOM=TOP W44 CUT W45 CUT	TOP>BOTTOM W44 CUT W45 UN CUT	NOT ALLOWED
REPLY DELAY (NANO-SECONDS)				
LESS THAN -125	-125 TO -42	-41 TO +41	+42 TO +125	GREATER THAN +125

- FOR NON-DIVERSITY TRANSPONDER INSTALLATIONS (SINGLE ANTENNA), THE TRANSPONDER CABLE SHALL BE CONNECTED TO THE BOTTOM ANTENNA PORT, AND THE ANTENNA CABLE STRAPS SHALL BE SET FOR A SINGLE ANTENNA CONFIGURATION (W44 = GND, W45 = GND).

- CONNECTORS ARE OMITTED ON 7510700-809 (RCZ-851H), 7510700-829 (RCZ-854H) AND 7510700-869 (RCZ-861H).

8840A Jul 7, 1997 8:50 MS

REVISONS		DATE	APPROVED
ZONE	REV	DESCRIPTION	
	L	ADD THIS SHEET.	T. EUROPA 15AUG91
	M	SH NOTE WAS THIS --- 804 AND 901 SEE SHEETS 2 THRU 5.	J. HOWELL 13NOV91
	N	VIEW: DIM PROVIDE 3.00 MIN (76.20) FOR CABLES. NOTE 2 AND 7 CALLOUT WAS 5 AND 13 RESP. SH NOTE WAS THIS --- 7510700-802 FOR 7510700-801, 803, 804, 805, 901 AND 902 SEE SHEETS 2 THRU 5. WAS SH 8. 56974(B)	J. TROXEL 15MAY92
	T	SH NOTE WAS: THIS SHEET SPECIFIES 7510700-802 AND -806.	J. TROXEL 6JUL93
	Y	SH NOTE WAS THIS --- -807 AND -808.	R. PALLSEN 06OCT94
	AB	SH NOTE WAS THIS --- -806, -807, -808 AND -809.	T. EUROPA 26FEB95
B5	AD	VIEW: MOUNT --- 7517446-901 CALLOUT WAS TRAY ASSY PN 7517446-901.	T. EUROPA 10OCT95
B4	AE	VIEW: DIM 3.38 --- (87.63) WAS 3.38 MAX (85.65) RMY SH NOTE: WAS THIS SHEET SPECIFIES 7510700-802, -806 THRU -809, -826 THRU -829, -852 AND -866 THRU -869. 96448(M)	T. EUROPA 17APR97
A5 A7	AF	VIEW: NOTE 2 CALLOUT: REF WAS OPTIONAL MOUNT --- 4 PL. SCREW --- USED CALLOUT WAS SCREW. --- IF OPTIONAL SPACER KIT IS USED.	<i>[Signature]</i> HAYWOOD CB



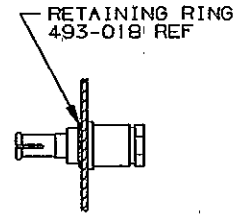
WIRE LIST (STRAP ON MOUNT)

FROM	TO	WIRE
WIPI-1	J1-89	WIW1 (GRN)
WIPI-2	J1-102	WIW2 (ORN)
WIPI-3	J1-16	WIW3 (RED)
WIPI-4	J1-43	WIW4 (BLK)
WIPI-6	J1-88	WIW6 (BLU)
WIPI-7	J1-101	WIW7 (WHT)
WIPI-8	J1-103	WIW8 (YEL)

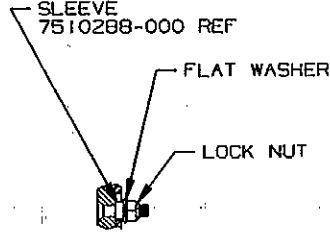
ZONE	REV	DESCRIPTION	DATE	APPROVED
A2	AK	VIEW Y-Y: ADD RCZ-B54A REF.	3 Dec 99	

ZONE	REV	DESCRIPTION	DATE	APPROVED
AB		SH NOTE WAS THIS --- -B06, -B07, -B08 AND -B09.	1MAR96	T.EUROPA 29FEB96
AC		VIEW Y-Y: SH NOTE WAS: WITH --- RCZ-B51B/851F/851G, ADD NOTE 13 REF. VIEW Y-Y: SH NOTE WAS: WITH --- FOR RCZ-B51B. SEE SH 1.	18OCT96	T.EUROPA 10OCT96 HAYWOOD JI
AE		RMV SH NOTE: WAS THIS SHEET SPECIFIES 7510700-802, -805 THRU -809, -828 THRU -829, -862 AND -866 THRU -869.	17APR97	T.EUROPA 11APR97 HAYWOOD CB
AB		VIEW X-X: HEX --- UNITS CALLOUT WAS HEX --- FOR RCZ-B51B UNITS, 4 PL FOR RCZ-B51E UNITS. POLARITY --- UNITS CALLOUT WAS POLARITY --- WITH RCZ-B51B OMIT --- UNITS. VIEW Y-Y FOR RCZ-B51E --- RCZ-B33H WAS FOR RCZ-B51E --- RCZ-B54H/851E/851F/851G/851H, VIEW Y-Y FOR RCZ-B51B/851B WAS FOR RCZ-B51B/851B.	27APR98	M.HOWK HAYWOOD CB

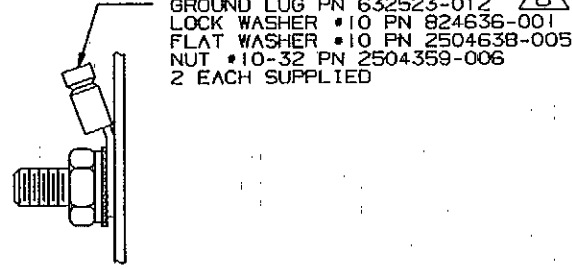
ZONE	REV	DESCRIPTION	DATE	APPROVED
N		ADD THIS SHEET.	15MAY92	J.TROXEL BARLOW BU
R		VIEW Y-Y: MARKING A2ASP1 (2X), A2ASP2 (2X) AND A2A3P1 WAS A2A2A2P1 (2X), A2A2A2P2 (2X) AND A2A1A3P1 RESP. ADD MARKING J1 (2X) AND JS.	14DEC92	T.WELLENSTEIN BARLOW KD
T		VIEW X-X: J3 --- 493-01B CALLOUT WAS: JS 7500335-200CONNECTOR, RF MATES --- TNC PLUG (P3) RETAINING RING 493-01B, J4 --- TNC PLUG CALLOUT WAS: J4 --- TNC PLUG (P1), J7 --- TNC PLUG CALLOUT WAS: J7 --- TNC PLUG (P2). POLARITY --- RCZ-B51E/851F/851G UNITS CALLOUT WAS: POLARITY --- RCZ-B51E UNITS VIEW Y-Y: WITH --- RCZ-B51B/851F/851G REF WAS: WITH --- RCZ-B51E. SH NOTE WAS THIS SHEET SPECIFIES 7510700-802 AND 806.	6JUL93	J.TROXEL BARLOW JK
Y		SH NOTE WAS THIS --- -B07 AND -B09.	06OCT94	R.PALSEN 04OCT94 JURGENS CB



SECTION F-F
SCALE: NONE
TYP J2, J3 AND J6

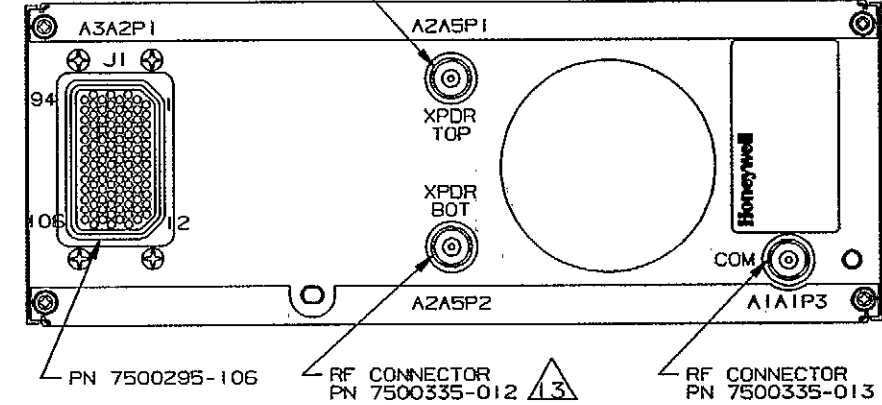


SECTION E-E
SCALE: NONE



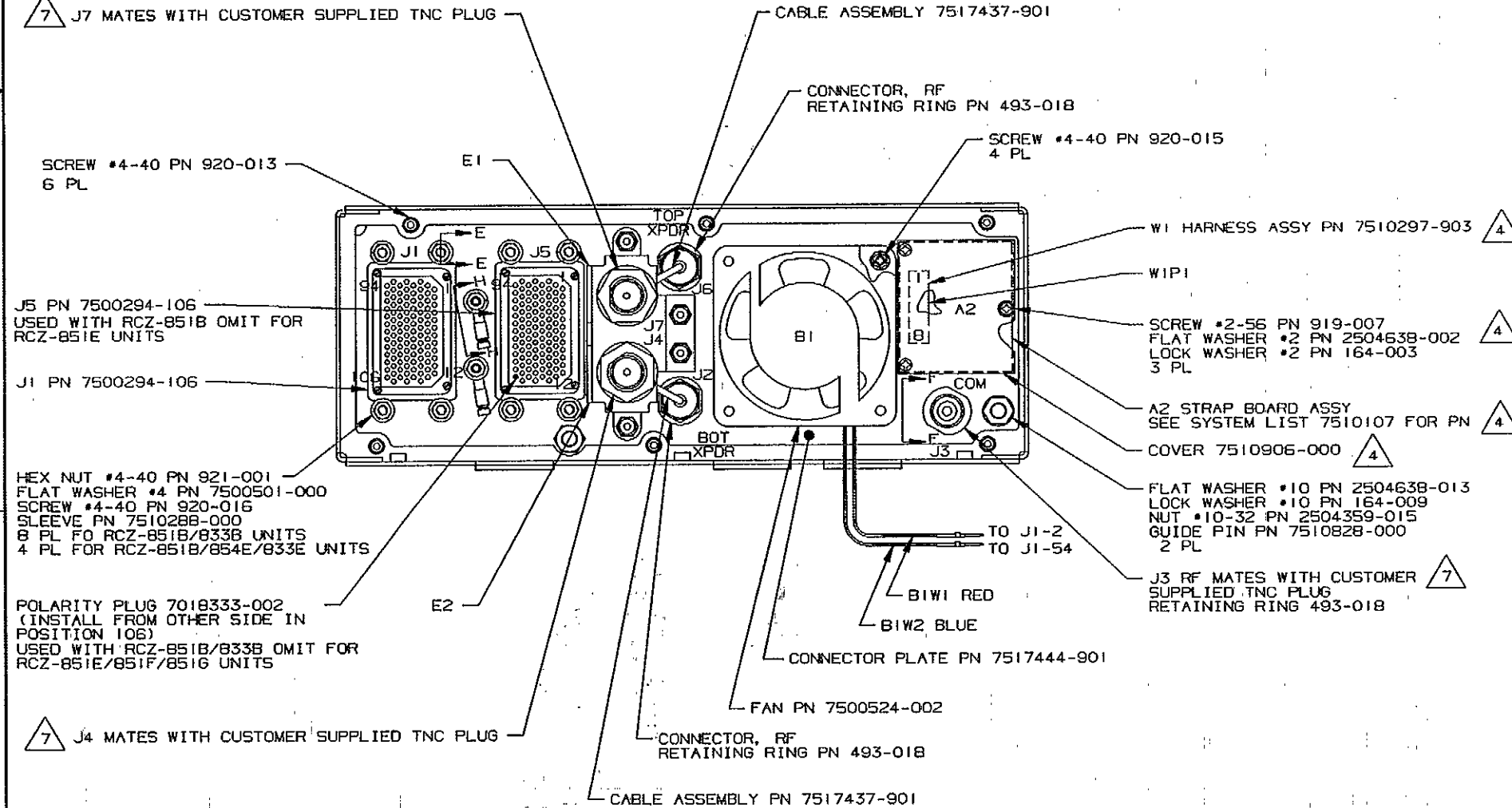
SECTION H-H
SCALE: NONE
OPTIONAL 2 PL (E1 AND E2)
ROTATED 180°

RF CONNECTOR
PN 7500335-012

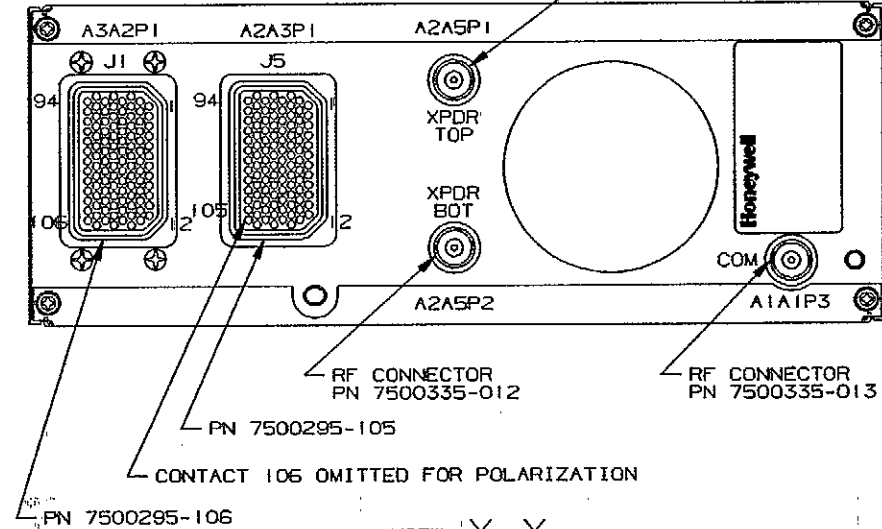


VIEW Y-Y
WITH MOUNTING TRAY REMOVED
RCZ-B51E/851F/851G/851H
RCZ-B54E/854F/854G/854H
RCZ-B33E/833F/833G/833H

J7 MATES WITH CUSTOMER SUPPLIED TNC PLUG




VIEW X-X
WITH MOUNTING TRAY REMOVED



VIEW Y-Y
WITH MOUNTING TRAY REMOVED
FOR RCZ-B51B/833B/854A

	SEE FIRST SHEET FOR CONTRACT NUMBER. USE OR DISCLOSURE OF INFORMATION ON THIS SHEET IS SUBJECT TO THE RESTRICTIONS ON THE FIRST SHEET OF THIS DOCUMENT.	SIZE CAGE CODE D 55939	DRAWING NO. 7510706	REV AK
	COMPUTER GENERATED			SHEET 1/1

NOTES:
(UNLESS OTHERWISE SPECIFIED):

1. ALL DIMENSIONS IN PARENTHESIS () ARE IN MILLIMETERS.
2. WHEN INSTALLING MOUNT ON A FLAT SURFACE (SEE DETAIL F, SHEET 4) USE SPACER KIT 7510351-901 TO ALLOW REMOVAL OF RADIO FROM MOUNTING TRAY.
3. TO ASSURE PROPER GROUNDING OF THIS SYSTEM, THE AIRCRAFT SURFACE TO WHICH ALL MOUNTINGS OR UNITS ARE ATTACHED MUST BE CLEAN BARE METAL. MOUNT TO AIRCRAFT RESISTANCE SHALL BE 2.5 MILLIOHMS MAX. WITHOUT WIRING INSTALLED.
4.  DENOTES APPROXIMATE CENTER OF GRAVITY.
5. FOR ASSEMBLIES, KITS AND ACCESSORIES SEE:

7517455-904	MT-855 MOUNTING TRAY
7510707	SYSTEM LIST
7510359	CONNECTOR KIT
6. SECURE THUMB NUTS OF MOUNT USING LOCKING WIRE.
7. CONNECTORS J1 AND J2 MUST FLOAT. ALLOW 6 INCHES MIN OF CABLE LENGTH FROM REAR OF CONNECTORS J1 AND J2 TO ANY CABLE CLAMPING DEVICE.

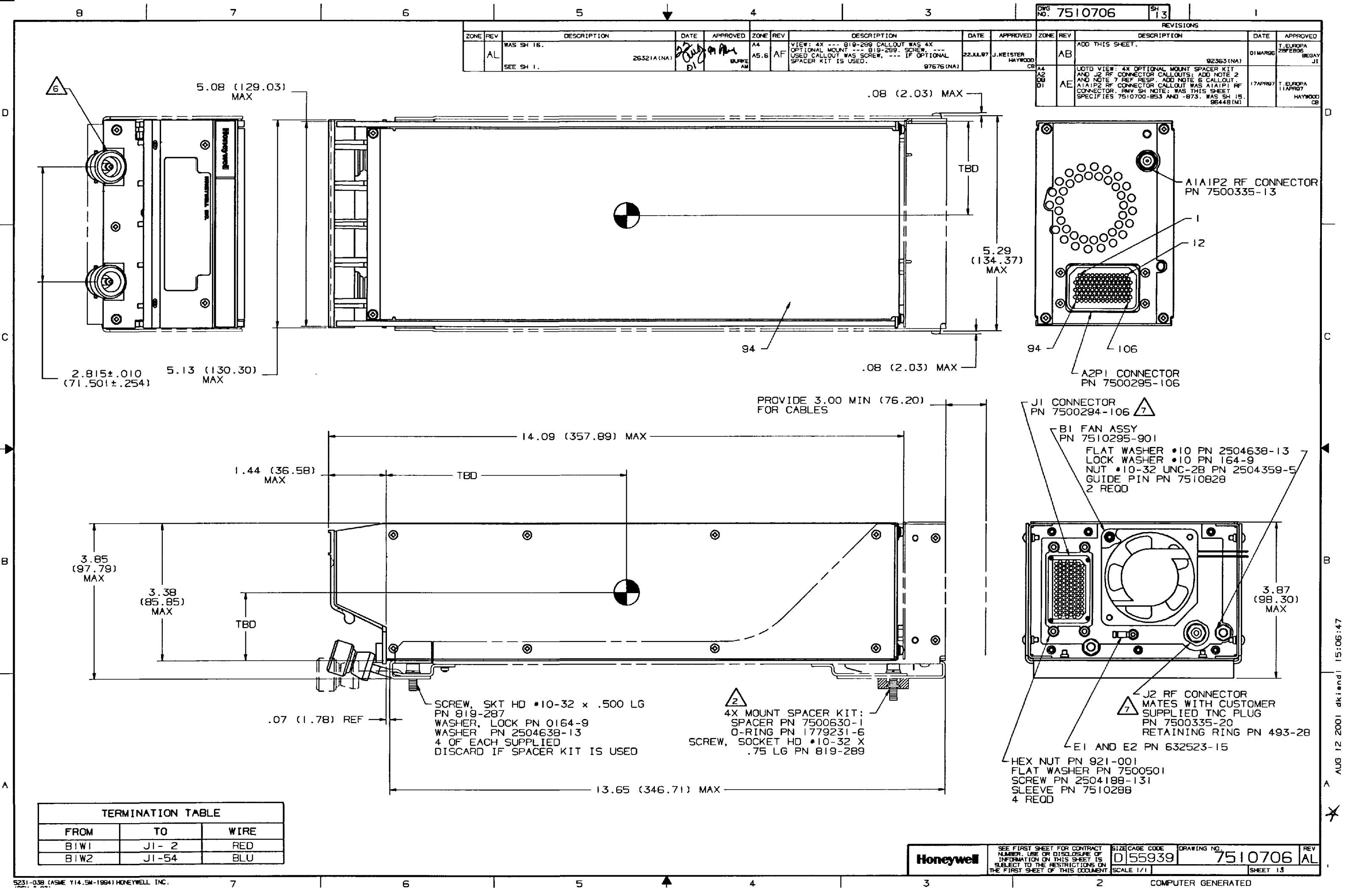
REVISIONS				
ZONE	REV	DESCRIPTION	DATE	APPROVED
	AE	ADD THIS SHEET. 96448 (M)	17 APR 97	T. EUROPA 11 APR 97 HAYWOOD CB
	AF	NOTES: NOTE 2 EXTENSIVELY REVISED. 97676 (NA)	22 JUL 97	J. KE (STA HAYWOOD CB
	AL	WAS SH 15. SEE SH 1. 26321 A (NA)		<i>[Signature]</i> BURKE AM

MOUNT WEIGHT (TOL ± .20 LBS)			
MOUNT PART NO.	MODEL NO.	LBS	(KG)
7517455-904	MT-855	1.25	.57

AUG 12 2001 dki end 15:06:46

DWS NO. 7510706		SH 13		
REVISIONS				
ZONE	REV	DESCRIPTION	DATE	APPROVED
AB		ADD THIS SHEET.	01MARG6	T. EUROPA 20FEB86
AE		UOTO VIEW: 4X OPTIONAL MOUNT SPACER KIT AND J2 RF CONNECTOR CALLOUTS; ADD NOTE 2 AND NOTE 7 REF RESP; ADD NOTE 6 CALLOUT. A1A1P2 RF CONNECTOR CALLOUT WAS A1A1P1 RF CONNECTOR. RMV SH NOTE: WAS THIS SHEET SPECIFIES 7510700-853 AND -873. WAS SH 15. 86448(N)	17APR87	T. EUROPA 11APR87 HAYWOOD CB

ZONE	REV	DESCRIPTION	DATE	APPROVED	ZONE	REV	DESCRIPTION	DATE	APPROVED
AL		WAS SH 16. SEE SH 1.	26321A(NA) D1	<i>[Signature]</i> BURKE AM	A4	AF	VIEW: 4X --- 819-289 CALLOUT WAS 4X OPTIONAL MOUNT --- 819-289. SCREW, --- USED CALLOUT WAS SCREW, --- IF OPTIONAL SPACER KIT IS USED.	22JUL87	J. KEISTER HAYWOOD CB



FROM	TO	WIRE
BIW1	J1- 2	RED
BIW2	J1-54	BLU

Honeywell

SEE FIRST SHEET FOR CONTRACT NUMBER, USE OR DISCLOSURE OF INFORMATION ON THIS SHEET IS SUBJECT TO THE RESTRICTIONS ON THE FIRST SHEET OF THIS DOCUMENT.

SIZE/CAGE CODE: D 55939

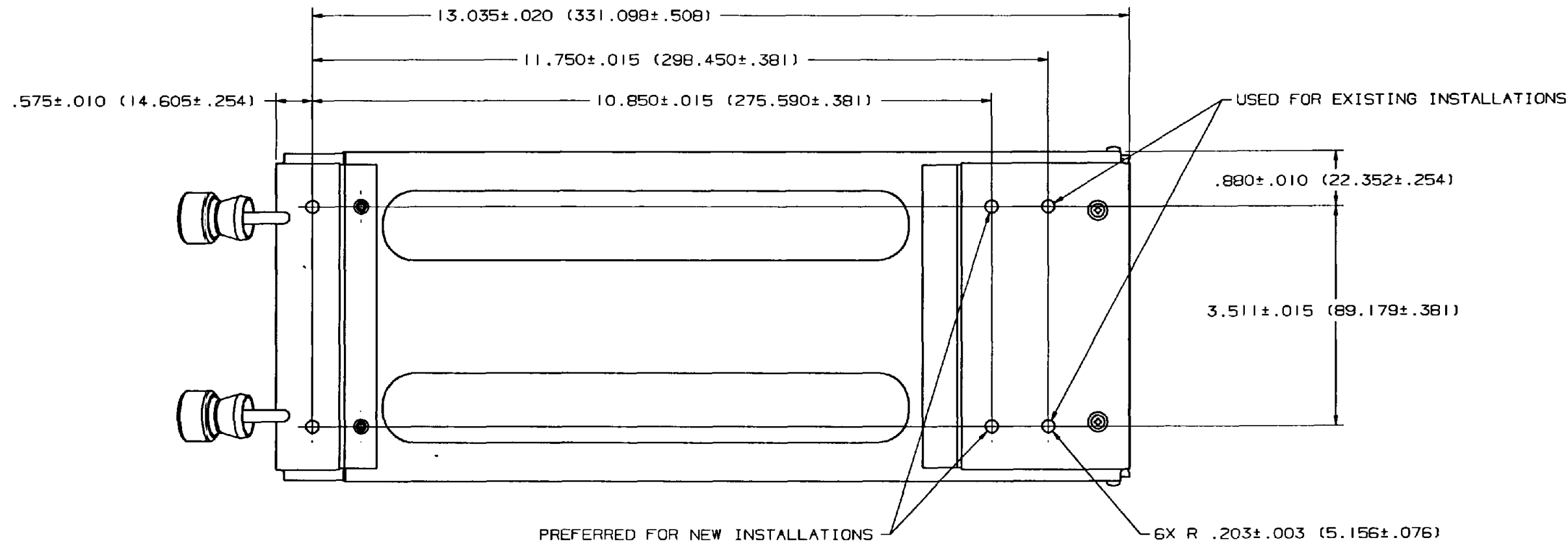
DRAWING NO.: 7510706

REV: AL

SCALE: 1/1


SHEET 13



REVISONS		DATE	APPROVED
AB	ADD THIS SHEET.	01MAR96	T. EUROPA 28FEB96 BEGAY JI
AE	RMV SH NOTE: WAS THIS SHEET SPECIFIES 7510700-853 AND -873. WAS SH 16.	17APR97	T. EUROPA 11APR97 HAYWOOD CB
AL	WAS SH 17. SEE SH 1.	26321A (NA)	<i>[Signature]</i> BURKE AM



DWG NO. 7510706		REV 15		1	
REVISIONS					
ZONE	REV	DESCRIPTION	DATE	APPROVED	
	AE	ADD THIS SHEET.	17APR97	T. ELROPP	T. ELROPP
	AF	NOTES: NOTE 2 EXTENSIVELY REVISED.		<i>[Signature]</i>	<i>[Signature]</i>
		96448 (M)		HAYWOOD	CS
		97676 (NA)		HAYWOOD	CS

NOTES:
(UNLESS OTHERWISE SPECIFIED):

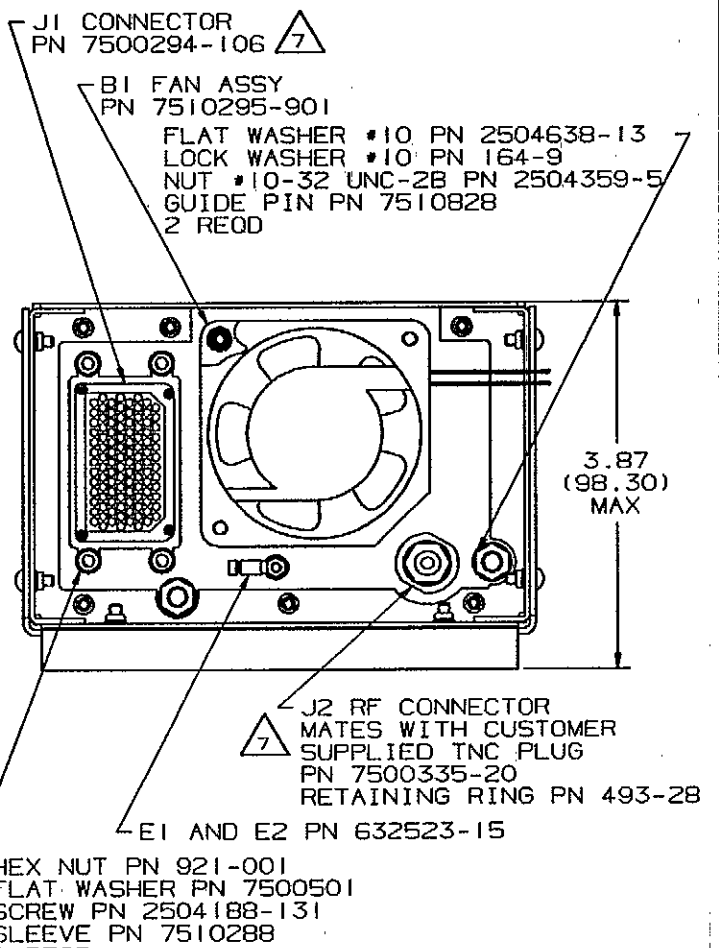
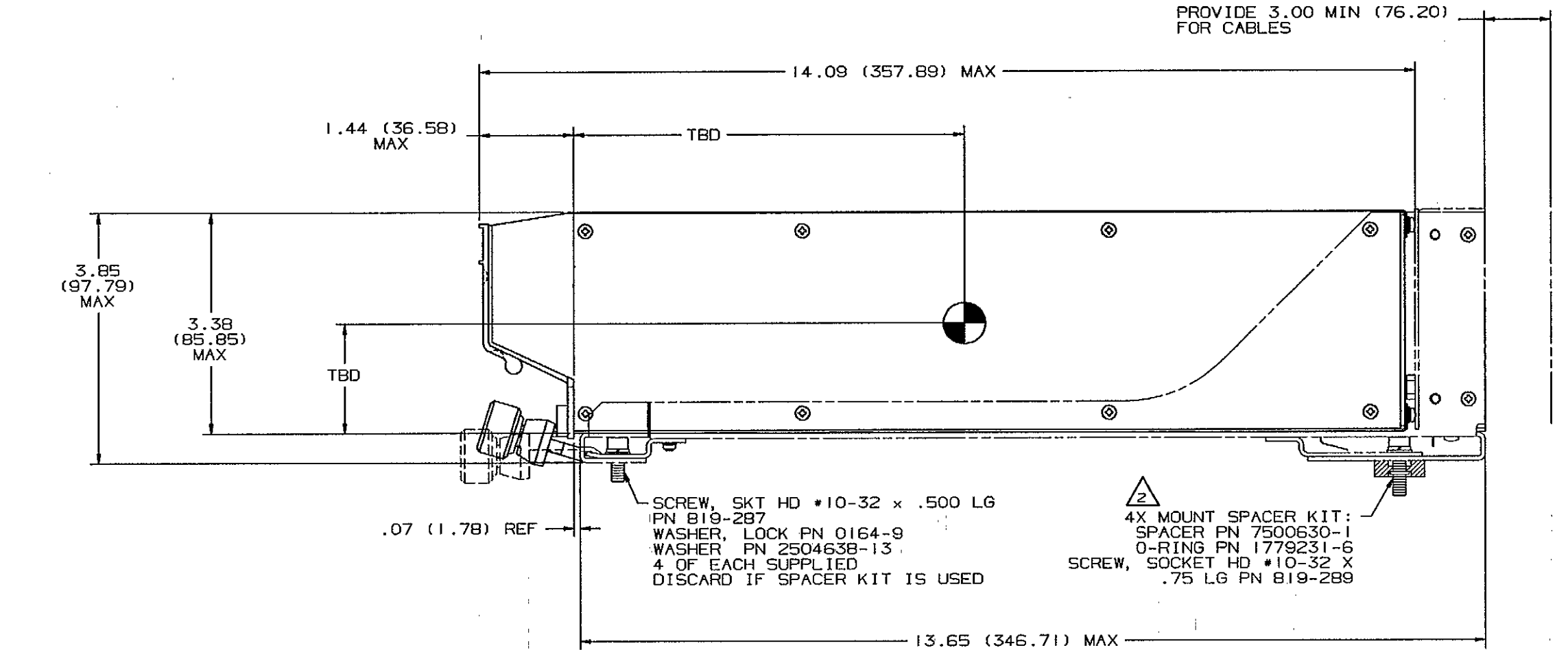
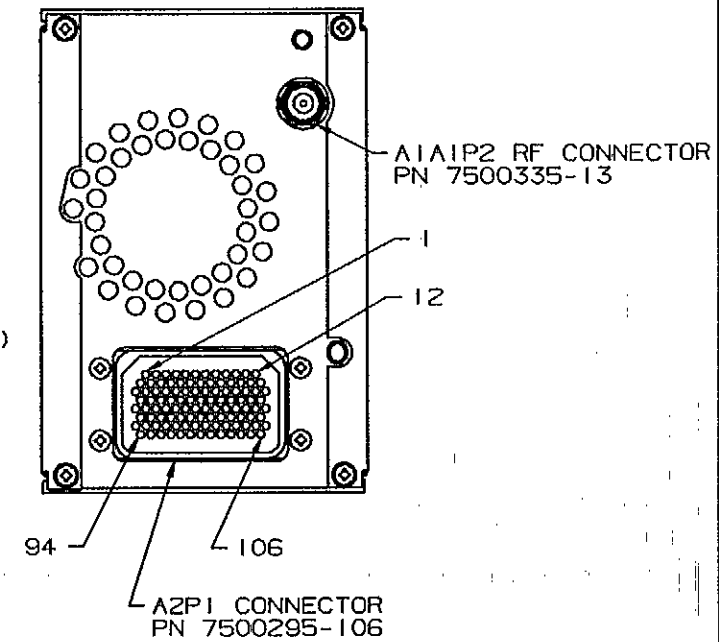
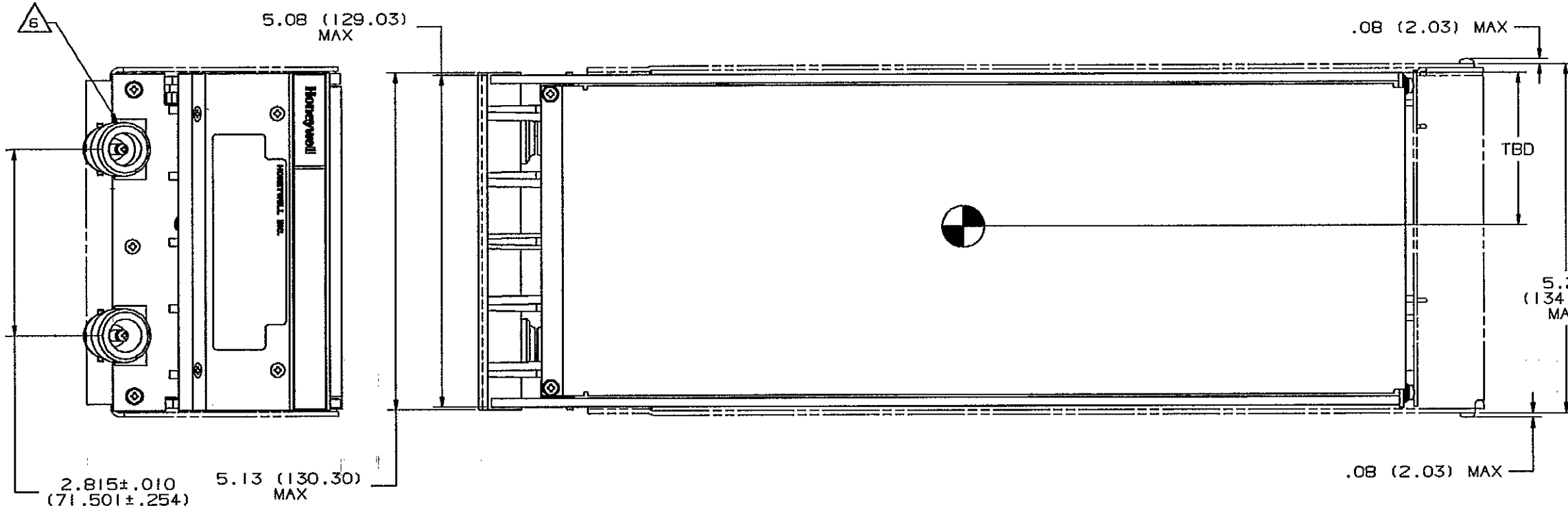
1. ALL DIMENSIONS IN PARENTHESIS () ARE IN MILLIMETERS.
2. WHEN INSTALLING MOUNT ON A FLAT SURFACE (SEE DETAIL F, SHEET 4) USE SPACER KIT 7510351-901 TO ALLOW REMOVAL OF RADIO FROM MOUNTING TRAY.
3. TO ASSURE PROPER GROUNDING OF THIS SYSTEM, THE AIRCRAFT SURFACE TO WHICH ALL MOUNTINGS OR UNITS ARE ATTACHED MUST BE CLEAN BARE METAL. MOUNT TO AIRCRAFT RESISTANCE SHALL BE 2.5 MILLIOHMS MAX. WITHOUT WIRING INSTALLED.
4.  DENOTES APPROXIMATE CENTER OF GRAVITY.
5. FOR ASSEMBLIES, KITS AND ACCESSORIES SEE:

7517455-904	MT-855 MOUNTING TRAY
7510707	SYSTEM LIST
7510359	CONNECTOR KIT
6.  SECURE THUMB NUTS OF MOUNT USING LOCKING WIRE.
7.  CONNECTORS J1 AND J2 MUST FLOAT. ALLOW 6 INCHES MIN OF CABLE LENGTH FROM REAR OF CONNECTORS J1 AND J2 TO ANY CABLE CLAMPING DEVICE.

MOUNT WEIGHT (TOL±.20 LBS)			
MOUNT PART NO.	MODEL NO.	LBS	(KG)
7517455-904	MT-855	1.25	.57

8840A Jul 7, 1997 8:48 MS: *

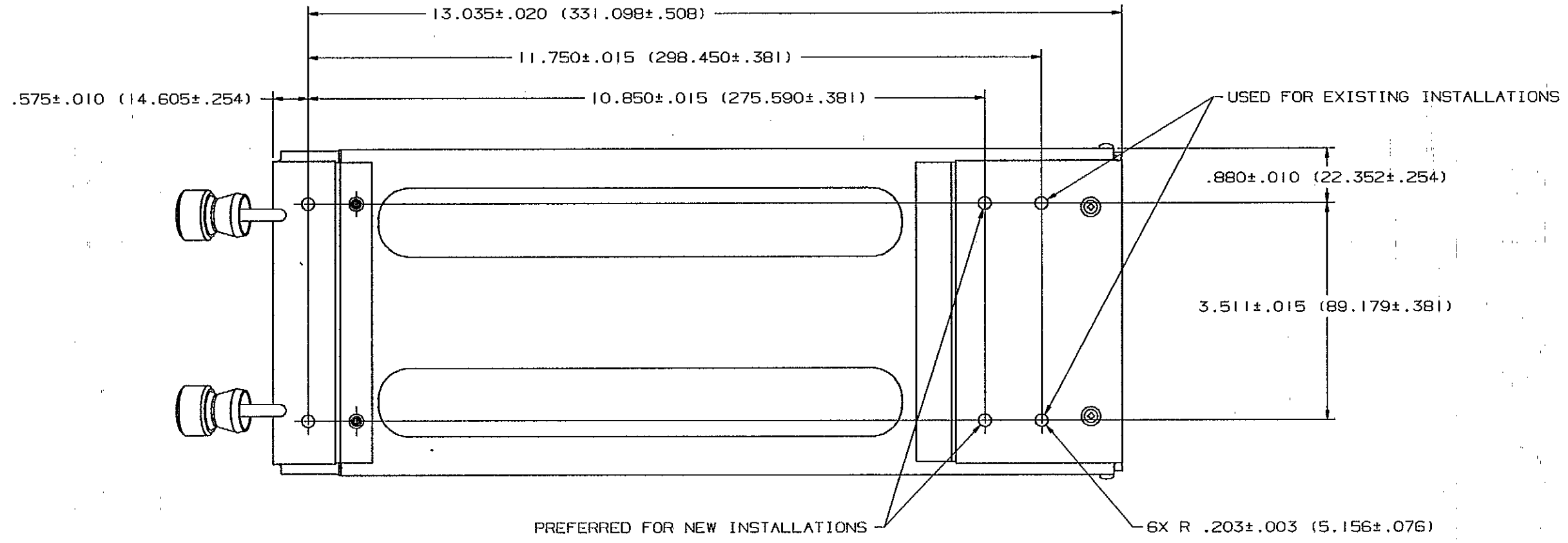
DWB NO. 7510706		SH 16	REVISIONS	
ZONE	REV	DESCRIPTION	DATE	APPROVED
A4	AF	VIEW: 4X --- 819-289 CALLOUT WAS 4X OPTIONAL MOUNT --- 819-289. SCREW --- USED CALLOUT WAS SCREW. --- IF OPTIONAL SPACER KIT IS USED.	97676(NA)	<i>[Signature]</i> HAYWOOD CB
AB		ADD THIS SHEET.	01MAR96	T. EUROPA 26FEB96 EBBAY JI
A4	A2	UOTO VIEW: 4X OPTIONAL MOUNT SPACER KIT AND J2 RF CONNECTOR CALLOUTS; ADD NOTE 2 AND NOTE 7 REF RESP. ADD NOTE 6 CALLOUT.	17APR97	T. EUROPA 11APR97 HAYWOOD CB
AE	01	A1A1P2 RF CONNECTOR CALLOUT WAS A1A1P1 RF CONNECTOR. RMV SH NOTE; WAS THIS SHEET SPECIFIES 7510700-953 AND -973. WAS SH 15. 9544B(M)		



FROM	TO	WIRE
BIW1	J1- 2	RED
BIW2	J1-54	BLU

Honeywell SEE FIRST SHEET FOR CONTRACT NUMBER, USE OR DISCLOSURE OF INFORMATION ON THIS SHEET IS SUBJECT TO THE RESTRICTIONS ON THE FIRST SHEET OF THIS DOCUMENT. SIZE/CAGE CODE: D 55939 DRAWING NO.: 7510706 REV: AF SCALE 1/1 SHEET 16

DWB NO. 7510706		SH 17	I	
REVISIONS				
ZONE	REV	DESCRIPTION	DATE	APPROVED
	AB	ADD THIS SHEET.	01MAR98	T. EUROPA 26FEB96 82363 (NA) 8284Y JI
	AE	RMV SH NOTE: WAS THIS SHEET SPECIFIES 7510700-853 AND -873. WAS SH 16.	01MAY98	11 APR 98 HAYWARD 86448 (M)



8840A Apr 10, 1997 10:43 MS

Honeywell	SEE FIRST SHEET FOR CONTRACT NUMBER. USE OR DISCLOSURE OF INFORMATION ON THIS SHEET IS SUBJECT TO THE RESTRICTIONS ON THE FIRST SHEET OF THIS DOCUMENT.	SIZE/CAGE CODE	D 55939	DRAWING NO.	7510706	REV	AE
	SCALE 1/1	SHEET 17		COMPUTER GENERATED			