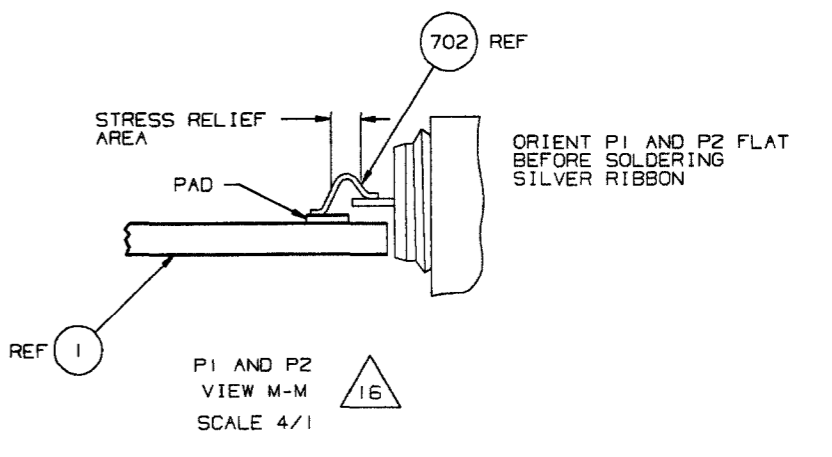
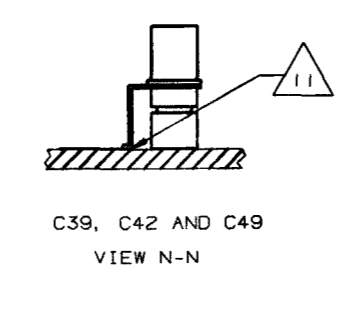
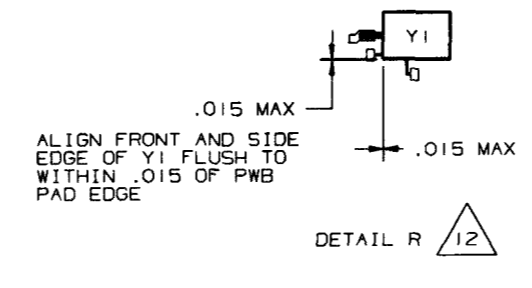
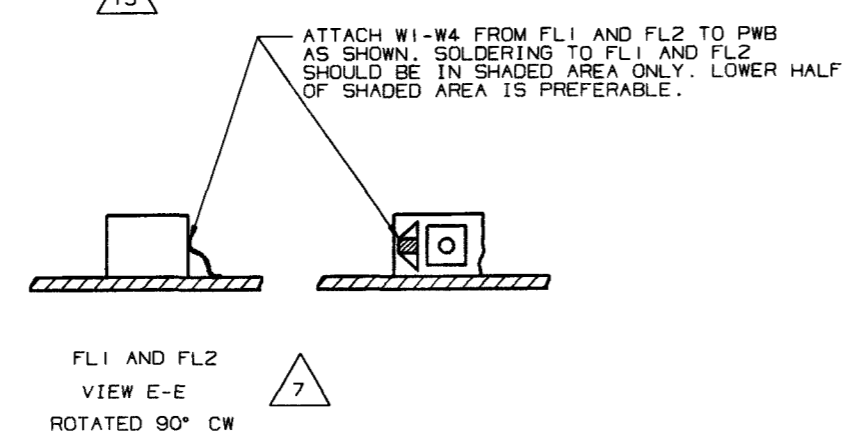
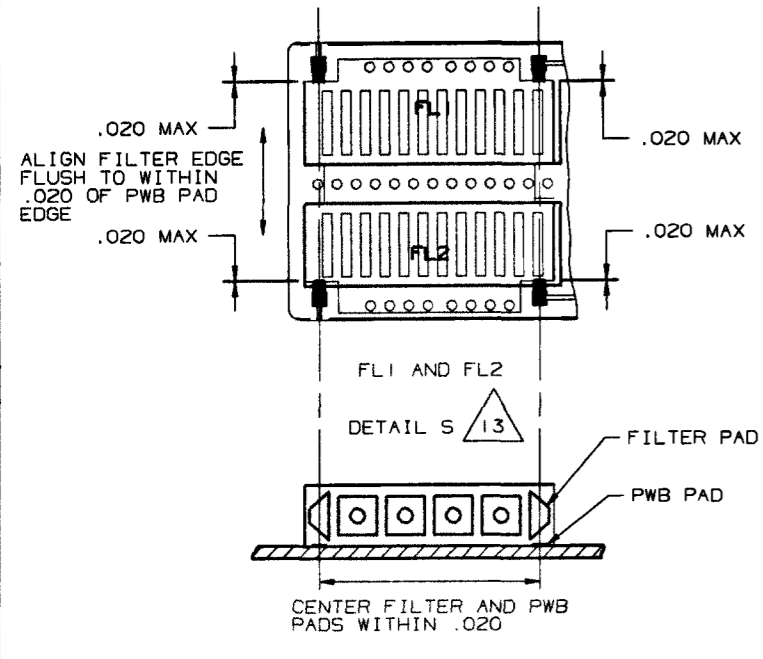
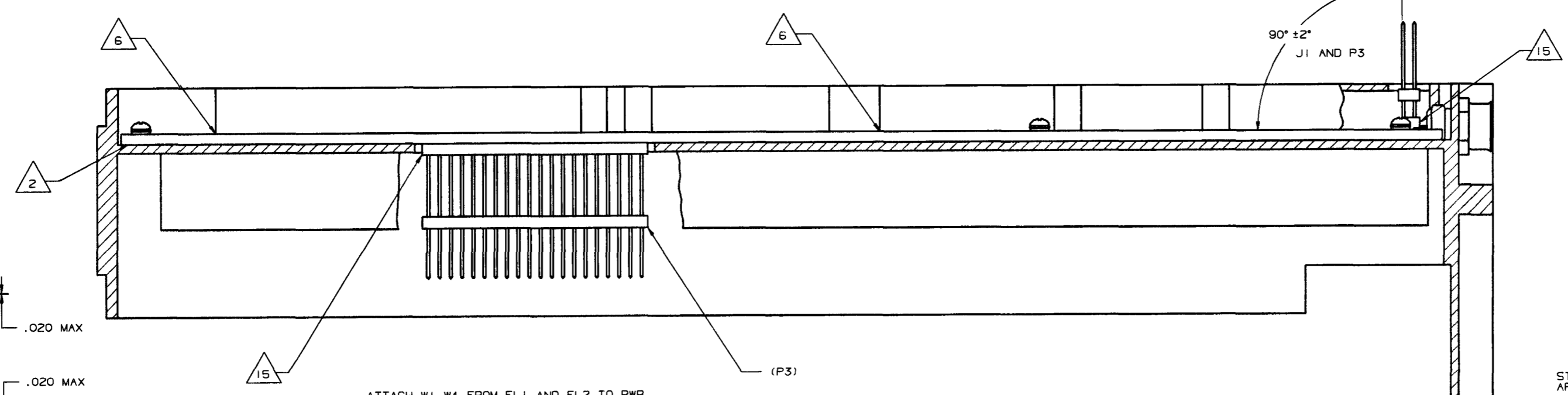
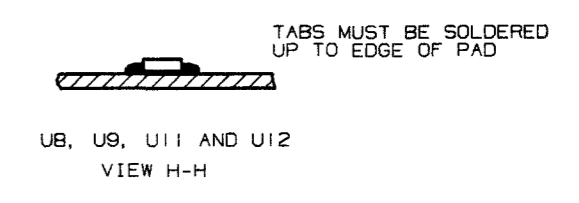
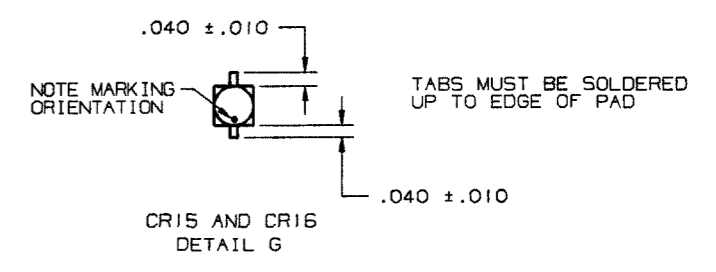
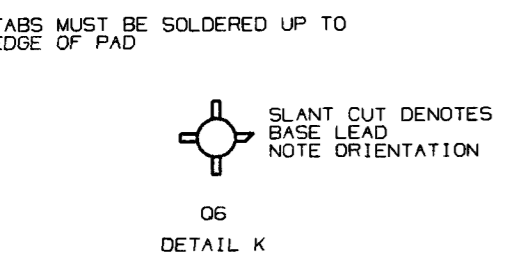
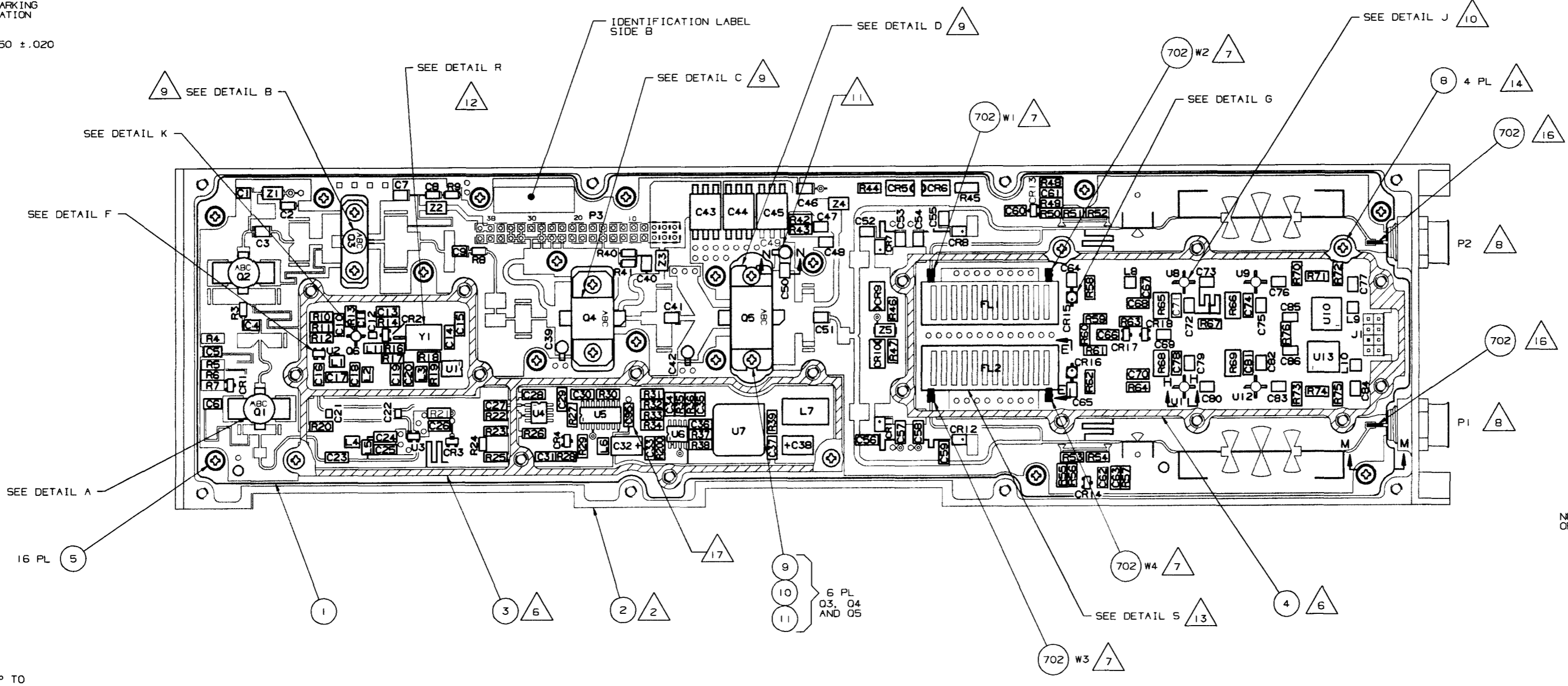
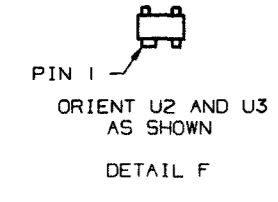
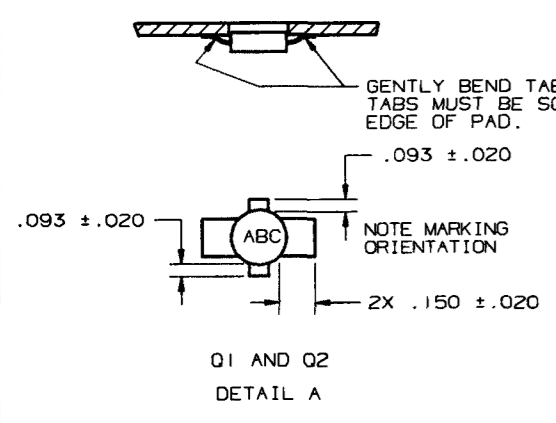
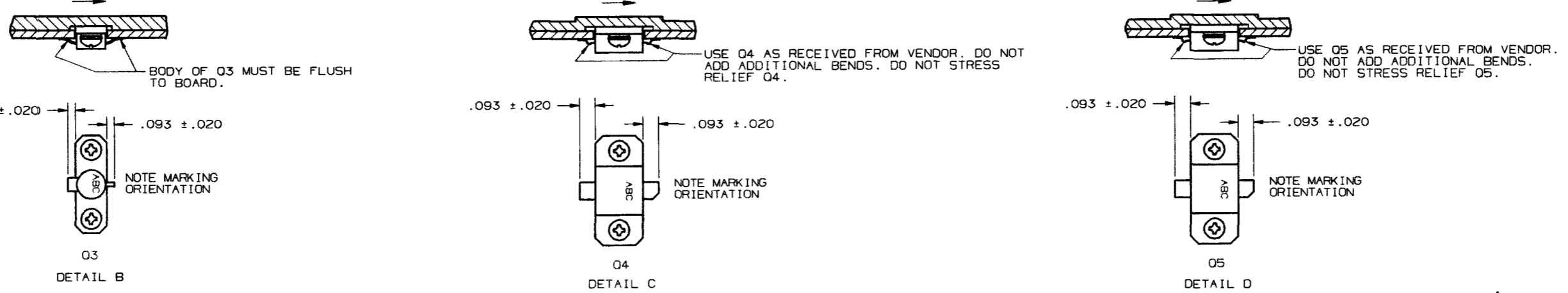


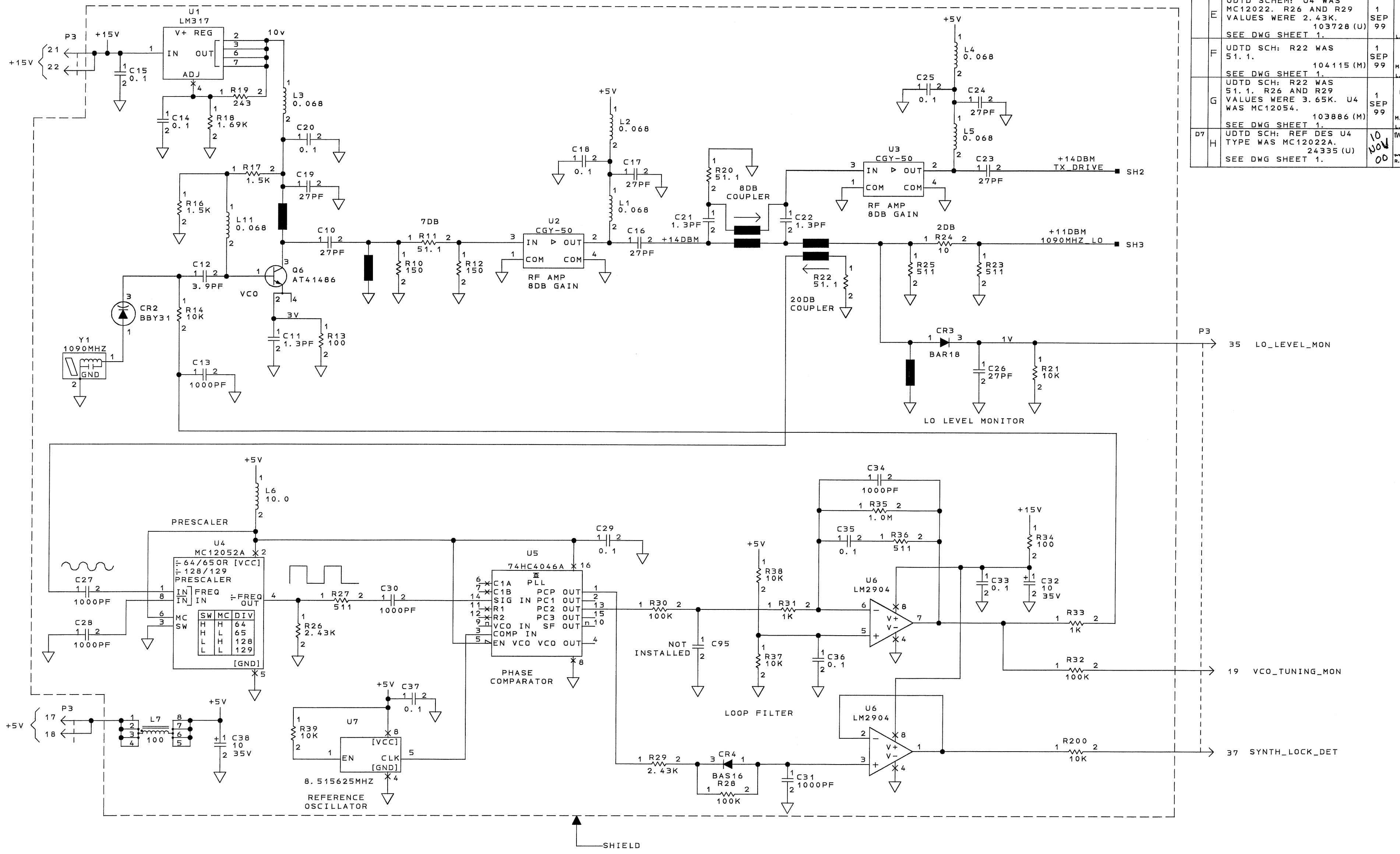
8 7 6 5 4 3 2 1

BEFORE TIGHTENING SCREWS, MOVE PART AS CLOSE AS POSSIBLE AGAINST INDICATED EDGE OF BOARD CUT OUT.

REVISIONS				
ZONE	REV	DESCRIPTION	DATE	APPROVED
C		UTD VIEW M-M.	102095 (NA)	R. PAULSEN M. BROWN R. RICHARDS
D		UTD VIEW. L11 REPLACES R15. SEE SHEET I.	101805 (U)	04FEB99 M. HOWE M. CARSON R. RICHARDS
J		UTD VIEW. UTD DIMENSIONS ON DETAIL S. UTD TEXT ON DETAIL B, C AND D. SEE SHEET I.	24340 (U)	26FEB01 M. PORTS R. RICHARDS J. OLSON
L		UTD VIEW. DETAIL A THRU DETAIL D DIM WAS .075 BX. SEE SHEET I.	200201778A (U)	11/19/02 P. POLZIN



REVISIONS				
ZONE	REV	DESCRIPTION	DATE	APPROVED
F7	D	UDTD SCHEM: L11 REPLACES R15. SEE DWG SHEET 1.	4 FEB 99	M. HOWK H. CARSON R. RICHARDS
E	E	UDTD SCHEM: U4 WAS MC12022. R26 AND R29 VALUES WERE 2.43K. SEE DWG SHEET 1.	1 SEP 99	M. HOWK M. BROWN L. WHISLER
F	F	UDTD SCH: R22 WAS 51.1. SEE DWG SHEET 1.	1 SEP 99	M. HOWK M. BROWN L. WHISLER
G	G	UDTD SCH: R22 WAS 51.1. R26 AND R29 VALUES WERE 3.65K. U4 WAS MC12054. SEE DWG SHEET 1.	1 SEP 99	M. HOWK M. BROWN L. WHISLER
D7	H	UDTD SCH: REF DES U4 TYPE WAS MC12022A. SEE DWG SHEET 1.	10 NOV 00	M. SMOYER R. RICHARDS



- NOTES:
UNLESS OTHERWISE SPECIFIED:
1. ALL CAPACITANCE VALUES ARE IN MICROFARADS.
 2. ALL RESISTANCE VALUES ARE IN OHMS.
 3. ALL INDUCTANCE VALUES ARE IN MICROHENRIES.
 4. PARTIAL REFERENCE DESIGNATIONS ARE SHOWN; FOR COMPLETE DESIGNATIONS PREFIX PART DESIGNATION WITH SUBASSEMBLY DESIGNATION.
 5. INTERPRET DRAWING PER ANSI Y32.2-1975 AND ANSI/IEEE STD 991-1986. LOGIC SYMBOLS CONFORM TO ANSI/IEEE STD 91-1984.
 6. ALL VOLTAGES ARE DC UNLESS OTHERWISE NOTED.

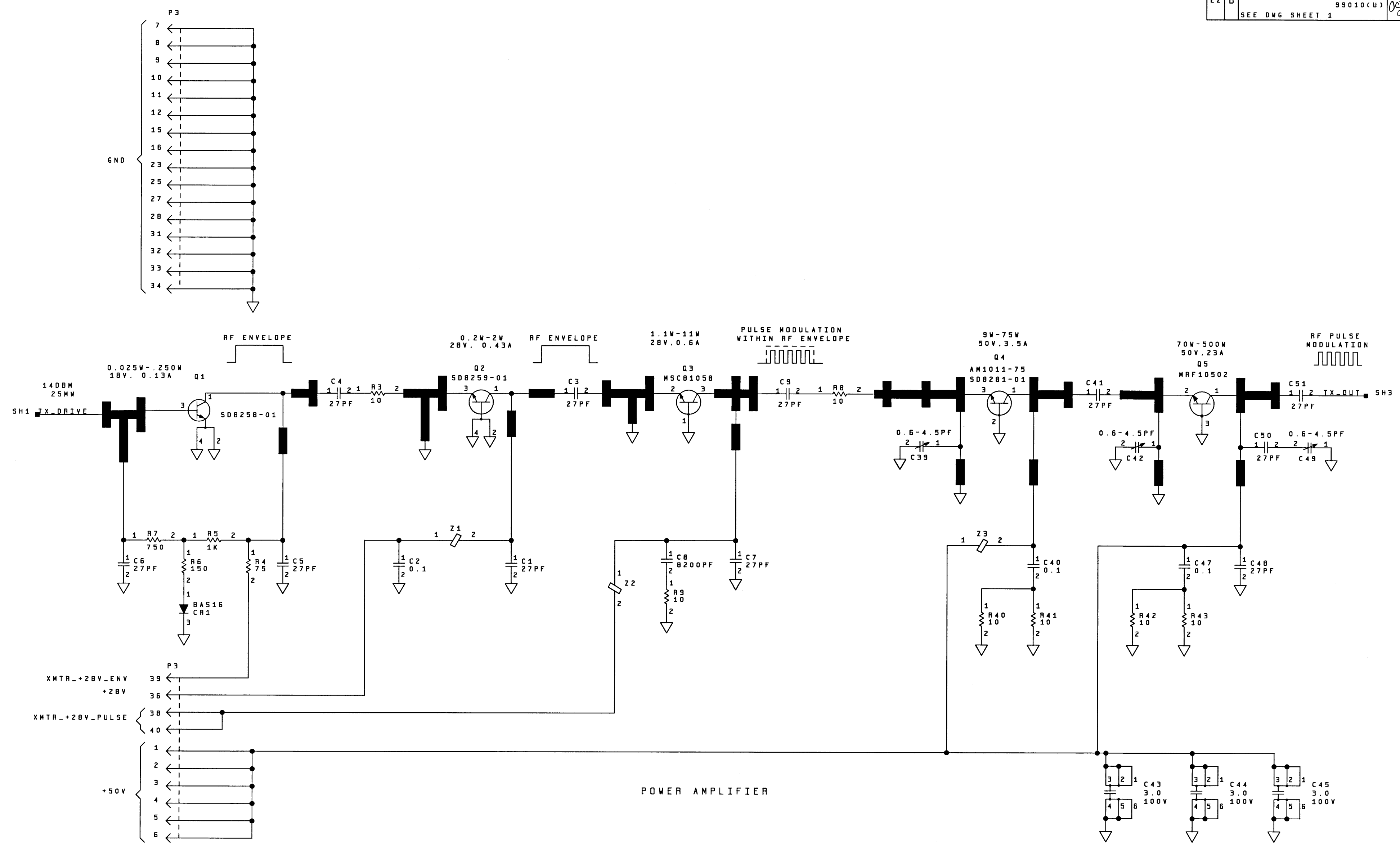
1090 MHZ LOCAL OSCILLATOR
SCHEMATIC DIAGRAM SHEET NO. 1 OF 5

COMPUTER GENERATED

Honeywell	SEE FIRST SHEET FOR CONTRACT NUMBER. USE OR DISCLOSURE OF INFORMATION ON THIS SHEET IS SUBJECT TO THE RESTRICTIONS ON THE FIRST SHEET OF THIS DOCUMENT.	SIZE E 55939	DRAWING NO. 7517460-905	REV H
-----------	---	-----------------	----------------------------	----------

17 REV 3-99 DATELINE

REVISIONS				
ZONE	REV	DESCRIPTION	DATE	APPROVED
E2	B	UDTD SCH; CHANGED REF DES Q5 TYPE TO MRF10502. SEE DWG SHEET 1	16 Oct 98	<i>[Signature]</i> M. NOREAU



POWER AMPLIFIER

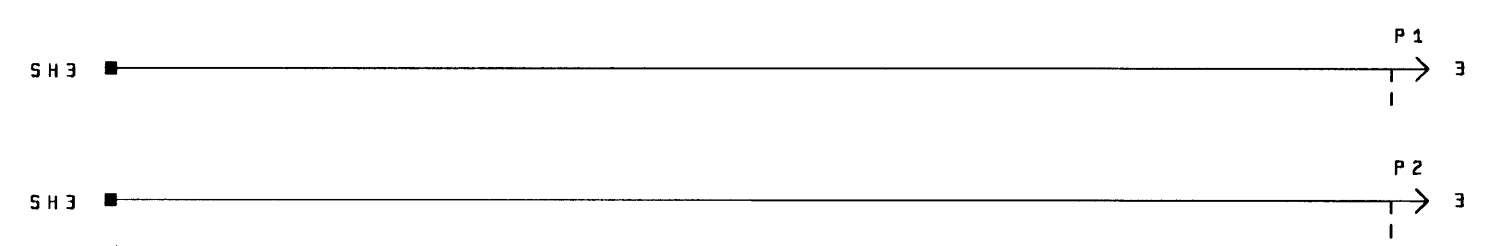
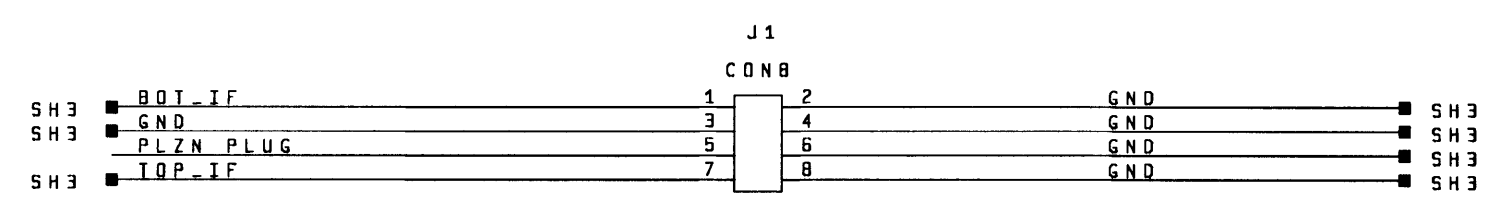
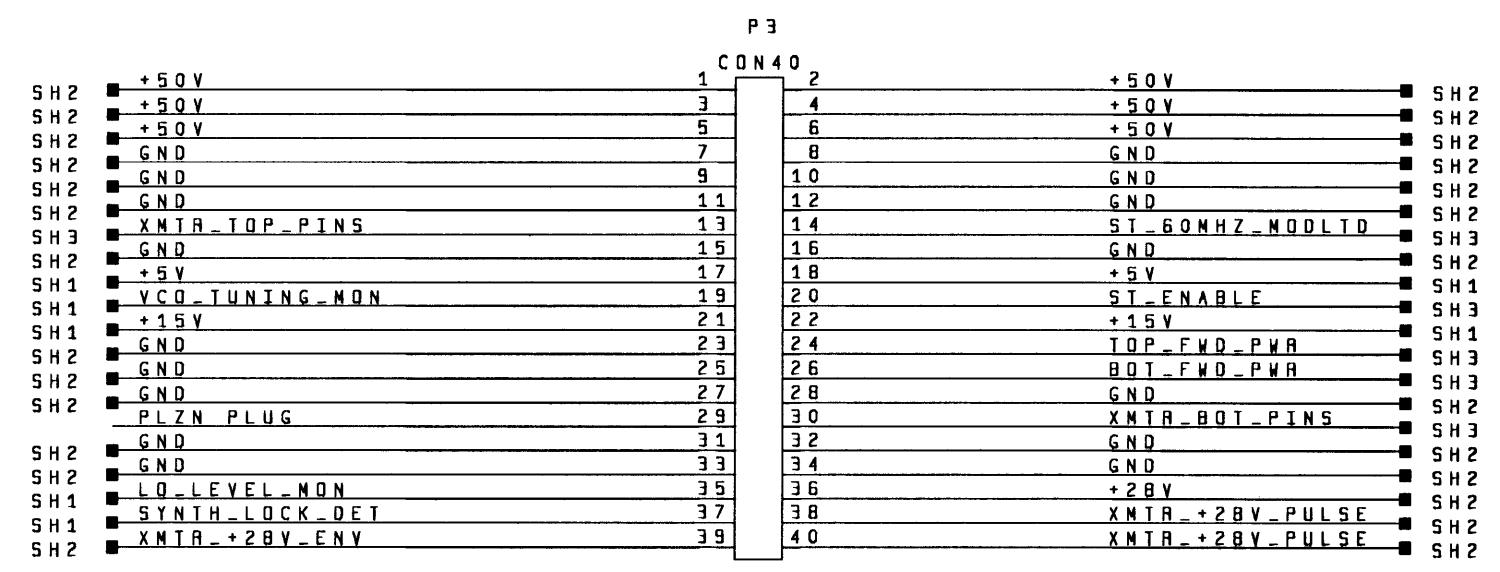
POWER AMPLIFIER
SCHEMATIC DIAGRAM SHEET NO. 2

COMPUTER GENERATED

Honeywell	SEE FIRST SHEET FOR CONTRACT NUMBER.	SCALE	REV
	USE OR DISCLOSURE OF INFORMATION ON THIS SHEET IS SUBJECT TO THE RESTRICTIONS ON THE FIRST SHEET OF THIS DOCUMENT.	E 55939	B
CASE CODE		DRAWING NO.	REV
E 55939		7517460-905	B
SHEET 4			REV

REV 7517460-905

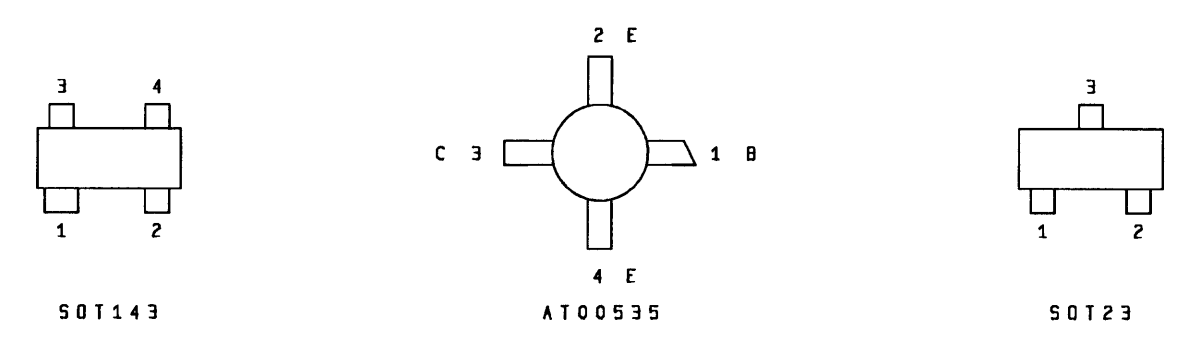
REVISIONS				
ZONE	REV	DESCRIPTION	DATE	APPROVED
E4	A	UDD SCH. ADD PIN NUMBER (3) TO CONNECTORS P1 AND P2.	16 Oct 98	M. WOREAU
SEE DWG SHEET 1				



COMMON LABELS ON TOP OF SMT DEVICES

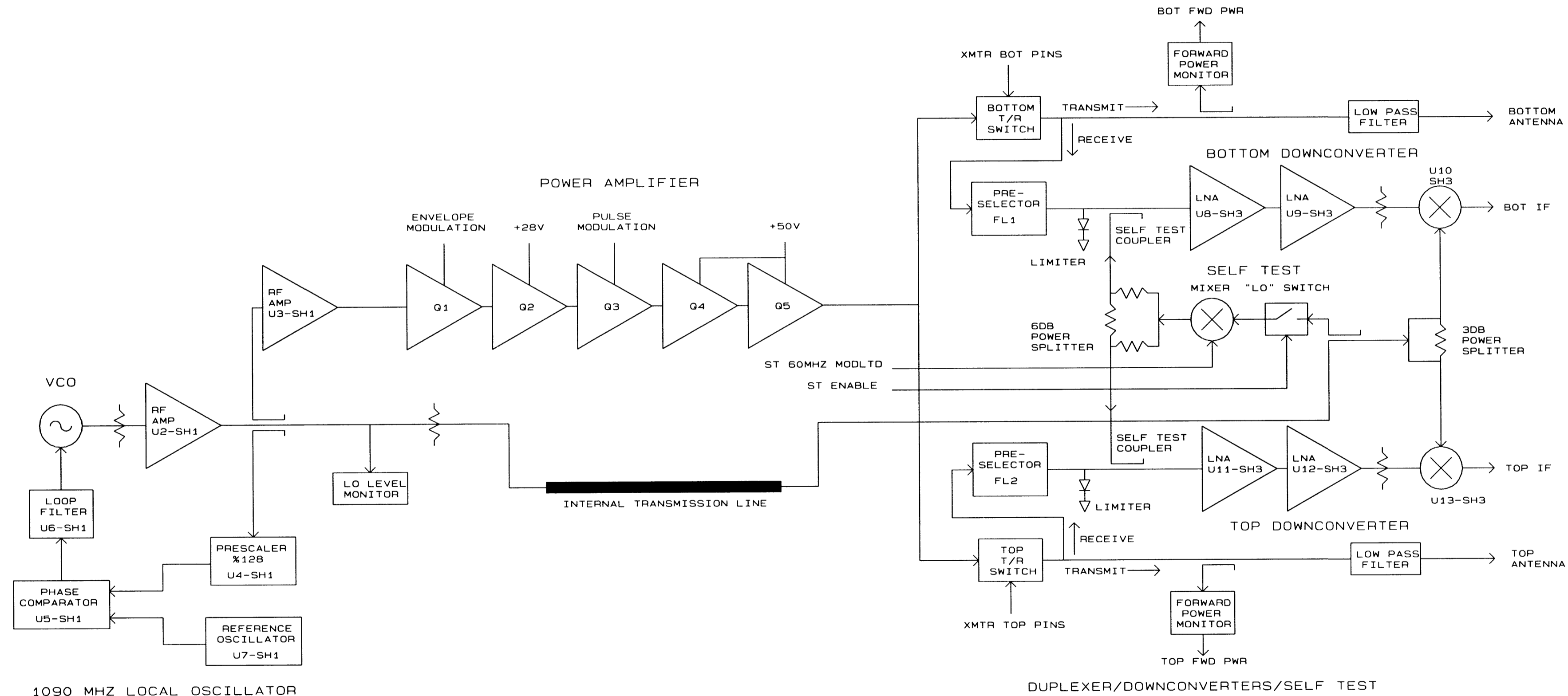
PART NAME	LABEL
BAS16	A6
BAR18	5F.076
BZX84-C13	Y3
BSR14	UB
MNBT5550	1F
BSR16	T8
SM6G15A	LM
SM6G5A	KE
MURS160T3	U1J
MNBT5401	2L
BZX84-C10	6Z
SM6G48A	MW
PZTA92	ZTA92
CGY50	G2
MSA0686	A06
MSA0386	A03
HSMP3800	D0
AT00535	NONE
HSMP3820	F0

PINOUTS OF SMT DEVICES



CONNECTOR PIN-OUT SCHEMATIC DIAGRAM SHEET NO. 4

COMPUTER GENERATED



BLOCK DIAGRAM
SCHEMATIC DIAGRAM SHEET NO. 5

COMPUTER GENERATED

7517460-905 SHEET 7