


**PROPRIETARY NOTICE**  
 THIS DOCUMENT AND THE INFORMATION DISCLOSED HEREIN ARE PROPRIETARY DATA OF ACSS, LLC. NEITHER THIS DOCUMENT NOR THE INFORMATION CONTAINED HEREIN SHALL BE REPRODUCED, USED, OR DISCLOSED TO OTHERS WITHOUT THE WRITTEN AUTHORIZATION OF ACSS, LLC.

**NOTICE**  
**FREEDOM OF INFORMATION ACT (5 USC 552) AND DISCLOSURE OF CONFIDENTIAL INFORMATION GENERALLY (18 USC 1905)**  
 THIS DOCUMENT IS BEING FURNISHED IN CONFIDENCE BY ACSS, LLC THE INFORMATION DISCLOSED HEREIN FALLS WITHIN EXEMPTION (b) (4) OF 5 USC 552 AND THE PROHIBITIONS OF 18 USC 1905.


REVISIONS					
CRNO.	ZONE	REV	DESCRIPTION	DATE	APPROVED
		CJ	REVISED AND REDRAW. CONVERT -850 TO SIMILAR FORMAT AT REV CJ. 26317A(NA)	08AUG01	R. BACULA BURKE CH
		CK	NOTES: ADD NOTE 5. SH IDX REV. PL AFFECTED. 200200229A(M) AFFECTS ONLY ASSEMBLIES NOT YET "IN-BUILD" AS SOON AS MANUFACTURING DOCUMENTATION IS AVAILABLE.	29APR02	T. EUROPA BURKE CH
		CL	200301048A(M) CHANGE ORDER APPROVED 22APR03 INCLUDES CODES A1, A2, A3, AND ASSEMBLIES THROUGH END ITEM LEVEL, EXCLUDING SALES STOCK.	08MAY03	M. PORTS R. RICHARDS J. OLSON
		CM	DRAWING TITLE WAS "COMMUNICATION UNIT". SH IDX REV. PL NOT AFFECTED. 200301856A(B) CHANGE ORDER APPROVED 28APR03 BREAK-IN ON ASSEMBLIES STARTING 05/02/03 OR SOONER. CAUTION: RECOMMEND USE ON END ITEM ONLY.	08MAY03	M. PORTS M. MORRAN J. OLSON
6576 6608		CN	SEE DESCRIPTION PER CHANGE REQUEST	07/29/03	

UNIT 7510700-	MODEL RCZ-	TRANSPONDER DESCRIPTION	XPDR ALT INPUTS	P 2000 INTF	SIZE	COM DESCRIPTION			
						CHAN KHz	COM ARINC 429	ACARS	CSDB
850	852	MODE S TRANSPONDER WITHOUT VHF COM GILLHAM, ARINC, IAC ALTITUDE INPUTS	GILL/429	NO	S/A	N/A	N/A	NO	

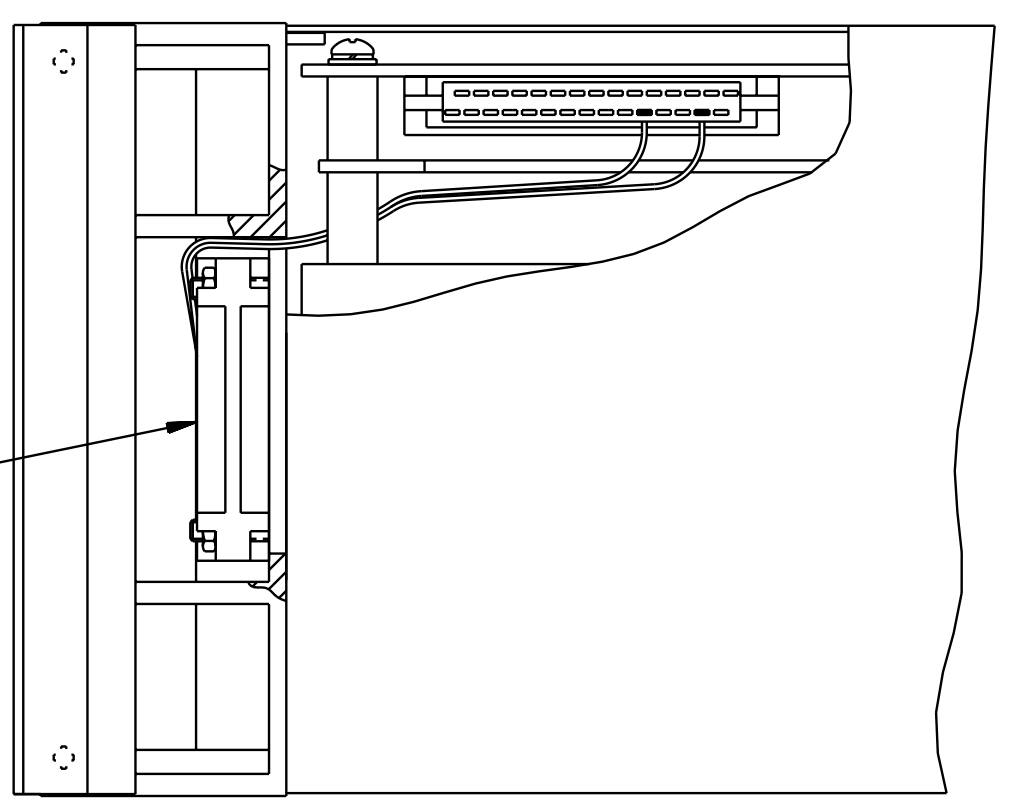
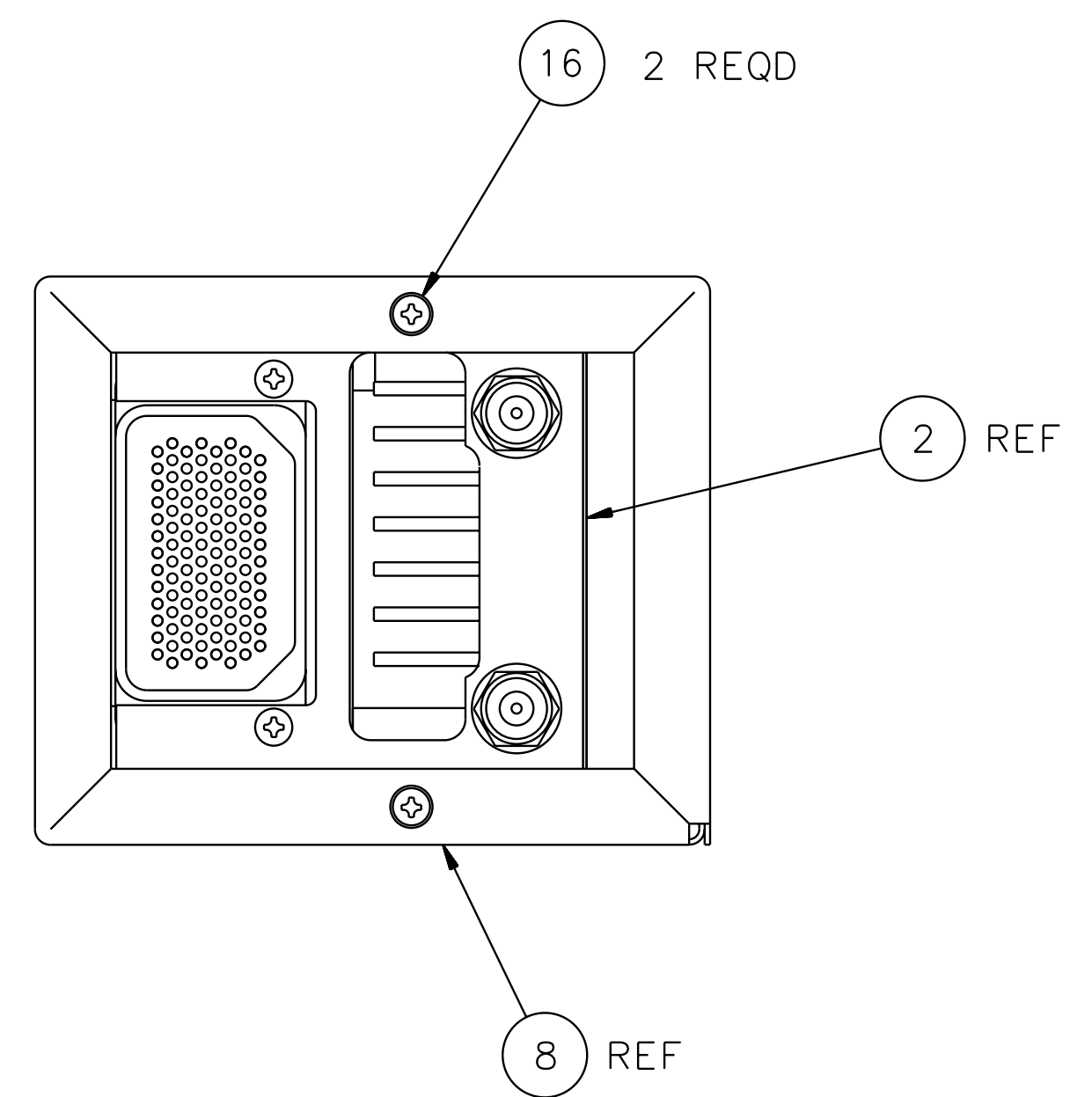
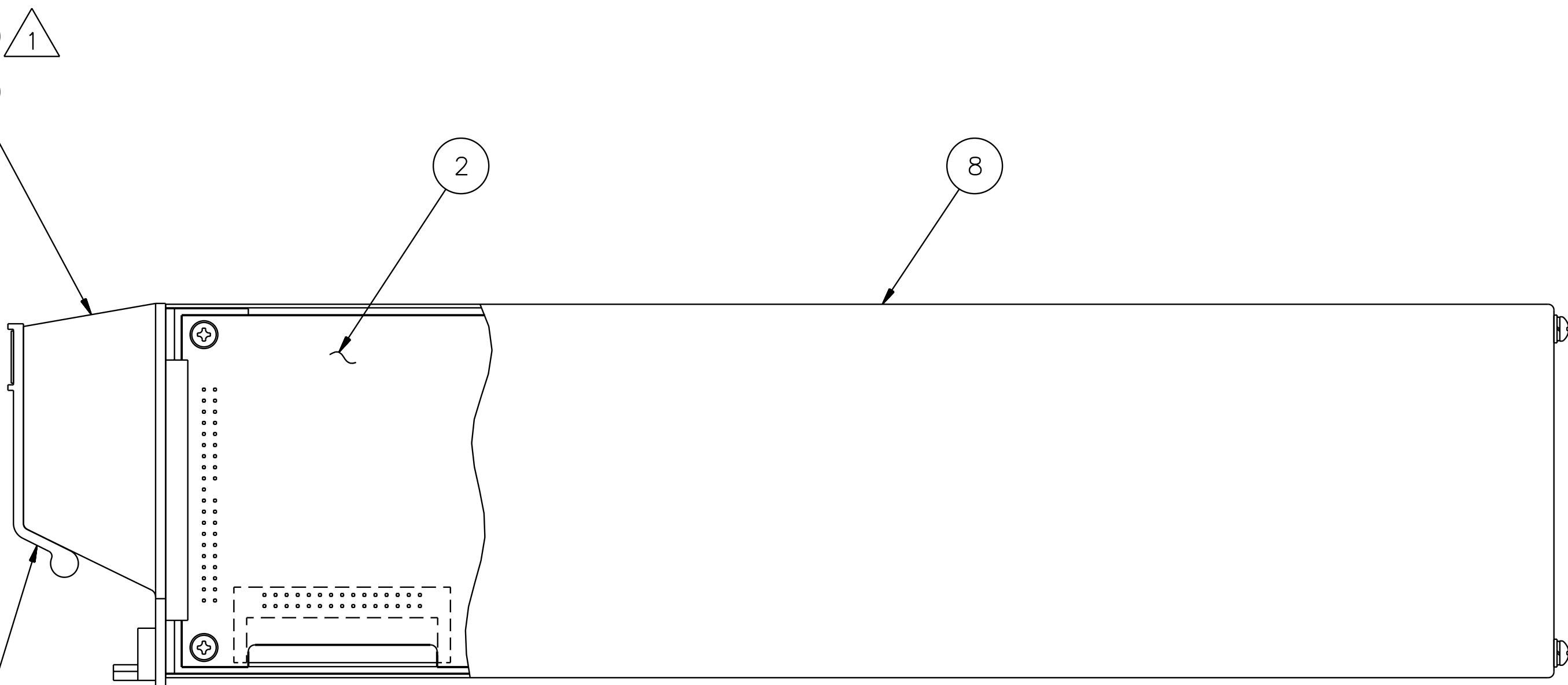
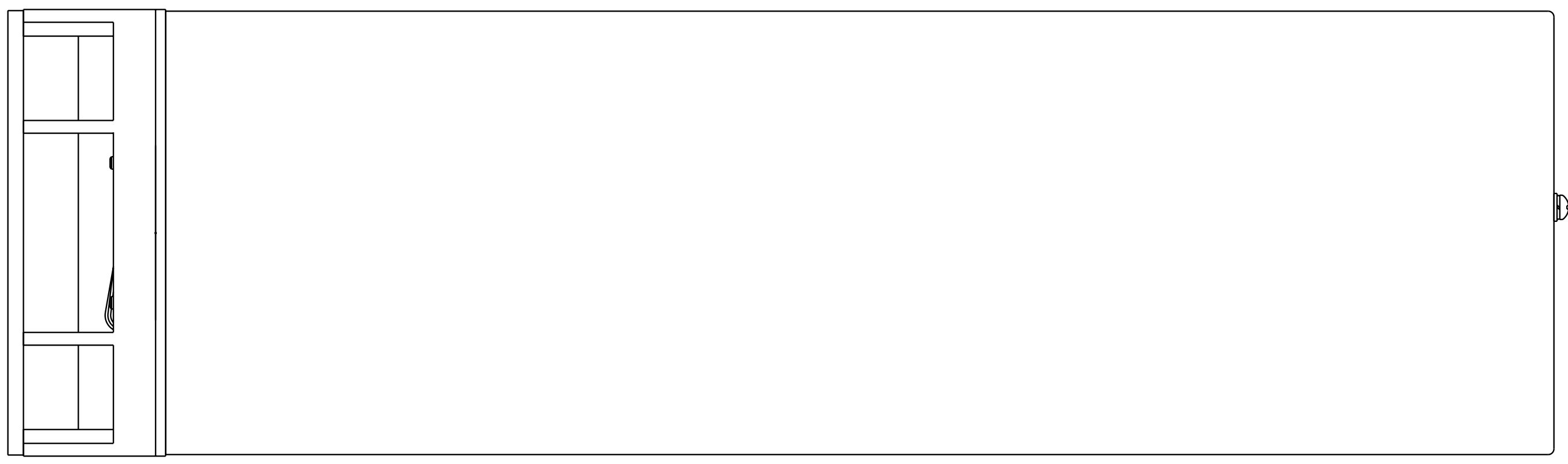
- NOTES:  
 (UNLESS OTHERWISE SPECIFIED):
- APPLY ADHESIVE (ITEM 701) TO THREADS OF SCREWS (ITEMS 14 AND 31) PRIOR TO INSTALLATION.
  - TEST PER ITEM 707.
  - ITEM 10 IS NOT TO EXTEND OVER THE EDGES OF ITEM 5.
  - MARK APPLICABLE DASH NUMBER AND SERIAL NUMBER TO ITEM 12 USING ITEM 710 PER ITEM 709 AND ATTACH TO ITEM 5 AS SHOWN PER ITEM 706.
  - FOR INTERCONNECT DIAGRAM SEE 7510708-850.
  - 
 THIS ASSEMBLY INCLUDES COMPONENTS WHICH ARE SUBJECT TO DAMAGE BY ELECTROSTATIC CHARGES: THEREFORE ALL COMPONENTS SHALL BE HANDLED IN ACCORDANCE WITH GUIDELINES FOR ELECTROSTATIC DISCHARGE CONTROL.
  - REFERENCE SERVICE BULLETIN ISSUED TO CONVERT MODULE 7517400-901 MOD B TO 7517400-905 MOD D CONCURRENT WITH THE SAME PRODUCTION CHANGE. THESE ARE EARLIER AND LATER VERSIONS OF THE XS-852 TRANSPONDER MODULE.

REVISION STATUS OF PARTS LIST SHALL BE THE SAME AS THE BASIC DRAWING NUMBER. SEE SEPARATE PARTS LIST.

45 44 43 42 41 40 39 38 37 36 35 34 33 32 31 30 29 28 27 26 25 24 23 22 21 20 19 18 17 16 15 14 13 12 11 10 9 8 7 6 5 4 3 2 1		CN/CN/CN	REV	SHEET	
FOR ACSS REFERENCE		INTERPRET DIMENSIONS AND TOLERANCES PER ASME Y14.M-1994		UNLESS OTHERWISE SPECIFIED, DIMENSIONS ARE IN INCHES: TOLERANCES: ANGLES ± --- 2 PL DEC ± --- 3 PL DEC ± ---	
MFG REF NO.	DPA NO. A24814	MATL - PROCESS - FINISH	MILITARY DESIGNATION	MATERIAL PROCESS, FINISH, SEE 00.40.	ITEM CODE (PER EB699384) 3
PRODUCT LINE NO. 3851	AW/PS ANALYSIS EB 7510800	MATL			THIRD ANGLE PROJECTION
REF DWG	REF SPEC	PROCESS			DWG CLASS A
7510700-850	7510700-850	FINISH			FIRST USED ON 7510700-850
NEXT ASSY	USED ON (SYS)				
APPLICATION					

CONTRACT RCZ-852		OPERATIONAL NOTE SIMILAR ASSEMBLY	
DRAWN BY C. HELTON	DATE 07 JUN 01	 Aviation Communications & Surveillance Systems 19810 North 71st Avenue Phoenix, Arizona 85027-4400	
DESIGNED BY	DATE		
CHECKED BY R. BACULA	DATE 19 JUL 01		
APVD FOR MFG D. KARCHER	DATE 18 JUL 01		
APVD FOR QE	DATE	TITLE MODE S DIVERSITY TRANSPONDER	
APVD FOR ENGRG M. HOWK	DATE 17 JUL 01	SIZE D11WYD3	CAGE CODE 7510700-850
APVD FOR	DATE	DRAWING NO. 7510700-850	REV CN
		SCALE NONE	UNIT WT
		SHEET 1 OF 3	

REVISIONS					
CRNO.	ZONE	REV	DESCRIPTION	DATE	APPROVED
		CJ	REVISED AND REDRAW. CONVERT -850 TO SIMILAR FORMAT AT REV CJ. 26317A(NA)	08AUG01	R. BACULA BURKE CH
6576 6608		CN	SEE DESCRIPTION PER CHANGE REQUEST	07/29/03	



COM UNIT RCZ-850										MODIFICATION STATUS TABLE										7510700									
AFFECTED MODULE			AFFECTED MODULE MOD LETTER							REFERENCE DOCUMENT	REMARKS	UNIT MOD PLATE SERIAL NO. EFFECTIVITY OR SOONER	7510700-																
7510700 UNIT MOD LTR	PART NO. REV	MODEL NO.	7510700-										MOD PLATE TO BE MARKED																
			8									8																	
			5									5																	
			0									0																	
U	7517400-901 E	XS-852	A							FLD SERV BLTN A21-1993-005 A21-1993-006	DIVERSITY TRANSPONDER SOFTWARE MOD FOR VSI/TRA DISPLAY CONTROL IMPROVEMENTS	9211XXXX	U																
AA	7517400-901 F	XS-852	B							FLD SERV BLTN A21-1993-041 A21-1993-042	UDTD S/W TO FIX PROBLEMS WITH ATC CODE CHANGING IN PAST/POST AND AMM. ADD ENHANCED BURN-IN/TEST MODES	9309XXXX	AA																
	7517400-902 F	XS-852A	-										-																
	7517400-903 F	XS-852B	-										-																
	7517400-904 F	XS-852C	-										-																
	7517400-906	XS-852D	-										-																
AD	7517400-905 <sup>7</sup>	XS-852	D							A21-1996-018 A21-1996-019	UPDATE ARINC CONTROLLER INTERFACE.	9604XXXX	AD																
	7510764-953 -	TR-850	-								ADD NEW DASH NUMBERS 7510700-826, -827, -828, -829.		-																
AG	7517400-901 P	XS-852	-							FLD SERV BLTN A21-1997-083 A21-1997-084	MODIFICATION TO PREVENT ATCRBS/MODE S ALL CALL INTERROGATIONS FROM BEING IGNORED.	9708XXXX	-																
	7517400-902 P	XS-852A	-										-																
	7517400-903 P	XS-852B	-										-																
	7517400-904 P	XS-852C	-										-																
	7517400-905 P	XS-852	E													AG													
	7517400-906	XS-852D	-										-																
AN	7517400-901	XS-852	-							FLD SERV BLTN A21-1999-157 A21-1999-158	MODIFICATION TO ENHANCE RELIABILITY ON PWR SUPPLY AND TRANSMITTER CCA.	0003XXXX	-																
	7517400-902	XS-852A	-										-																
	7517400-903	XS-852B	-										-																
	7517400-904	XS-852C	-										-																
	7517400-905	XS-852	G													AN													
	7517400-906	XS-852D	-										-																
AR	7510700-850	RCZ-852	CM							FLD SERV BLTN A21-3851-003	CORRECTED END ITEM LABEL, 7032584-1 AND 7032585-1	02086515 AND ABOVE NOT MARKED MOD AR	AR																

REVISIONS					
CRNO.	ZONE	REV	DESCRIPTION	DATE	APPROVED
		CJ	REVISED AND REDRAW. CONVERT -850 TO SIMILAR FORMAT AT REV CJ. 26317A(NA)	08AUG01	R. BACULA BURKE CH
		CK	NOTES: ADD NOTE 5. SH IDX REV. PL AFFECTED. 200200229A(M)	29APR02	T. EUROPA BURKE CH
		CL	AFFECTS ONLY ASSEMBLIES NOT YET "IN-BUILD" AS SOON AS MANUFACTURING DOCUMENTATION IS AVAILABLE. SH IDX REV. PL AFFECTED. 200301048A(M)	08MAY03	M. PORTS R. RICHARDS J. OLSON
		CM	CHANGE ORDER APPROVED 22APR03 THROUGH END ITEM LEVEL, EXCLUDING SALES STOCK. DRAWING TITLE WAS "COMMUNICATION UNIT". SH IDX REV. PL NOT AFFECTED. 200301856A(B)	08MAY03	M. PORTS M. MORRAN J. OLSON
6576 6608		CN	BREAK-IN ON ASSEMBLIES STARTING 05/02/03 OR SOONER. CAUTION: RECOMMEND USE ON END ITEM ONLY. SEE DESCRIPTION PER CHANGE REQUEST	07/29/03	