

PROPRIETARY NOTICE  
THIS DOCUMENT AND THE INFORMATION DISCLOSED HEREIN ARE PROPRIETARY DATA OF HONEYWELL INC. NEITHER THIS DOCUMENT NOR THE INFORMATION CONTAINED HEREIN SHALL BE REPRODUCED, USED, OR DISCLOSED TO OTHERS WITHOUT THE WRITTEN AUTHORIZATION OF HONEYWELL INC.

NOTICE  
FREEDOM OF INFORMATION ACT (5 USC 552) AND DISCLOSURE OF CONFIDENTIAL INFORMATION GENERALLY (18 USC 1905)  
THIS DOCUMENT IS BEING FURNISHED IN CONFIDENCE BY HONEYWELL INC. THE INFORMATION DISCLOSED HEREIN FALLS WITHIN EXEMPTION (b) (4) OF 5 USC 552 AND THE PROHIBITIONS OF 18 USC 1905.

REVOLUTIONS		DATE	APPROVED
—	INITIAL RELEASE	31OCT89	E.THIESSEN
A	NOTES: ADDED NOTES 8, 9, 10 AND 11. SH IDX REV. PL AFFECTED. 27417(M-A5)	4JUN90	B.BRETTNER SBA RR
B	NOTES: ADD NOTE 12. SH IDX REV. PL AFFECTED. 48822(M) AFFECTS KITS NOT YET IN-BUILD AND ASSEMBLIES IN BUILD, IN STOCK, IN RELATED ASSEMBLIES LISTED ON C.O., AND IN ASSEMBLIES THRU END ITEM LEVEL EXCLUDING SALES STOCK.	21MAR91	B.BRETTNER WALTHER BU
C	NOTES: ADD NOTE 13. SH IDX REV. PL NOT AFFECTED. 48653(M) AFFECTS ONLY KITS NOT YET IN-BUILD.	12JUL91	B.BRETTNER WALTHER BU
D	NOTES: NOTE 5 WAS TYPE---NUMBER AND--- INDICATED. RMV NOTE 12. SH IDX REV. PL AFFECTED. 48648(B) BREAK IN ON ASSEMBLIES STARTING 7-5-91 OR SOONER.	13AUG91	C.DOSDALL WALTHER BB
E	NOTES: ADD NOTE 14 AND 15. SH IDX REV. PL NOT AFFECTED. 56902(M) AFFECTS ONLY KITS NOT YET IN-BUILD.	18FEB92	B.BRETTNER BARLOW BU
F	SH IDX REV. PL AFFECTED. 55407(M)	12MAY92	B.BRETTNER BARLOW BU
G	SH IDX REV. PL AFFECTED. 55465(B) BREAK IN ON SERIAL NO. 1147 OF 7514217-902 OR SOONER.	12MAY92	B.BRETTNER BARLOW BU
H	NOTES: NOTE 9 WAS PROGRAM --- 704. THEN --- (A8). SH IDX REV. PL AFFECTED. 83309(B) BREAK IN ON SERIAL NO. 9407XXXX OF 7514217-902 OR SOONER.	18AUG94	M.D.SMITH 18AUG94 BEGAY BU
J	SH IDX REV. PL NOT AFFECTED. 96274(B) BREAK IN ON ALL 0007XXXX UNITS OR EARLIER.	28 SEPT 00	Maddalena BEGAY CH

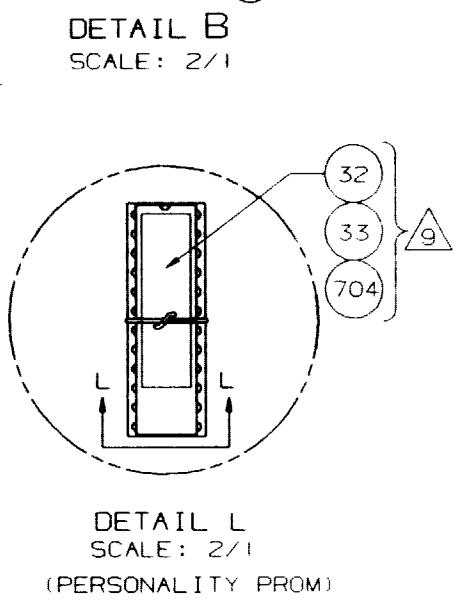
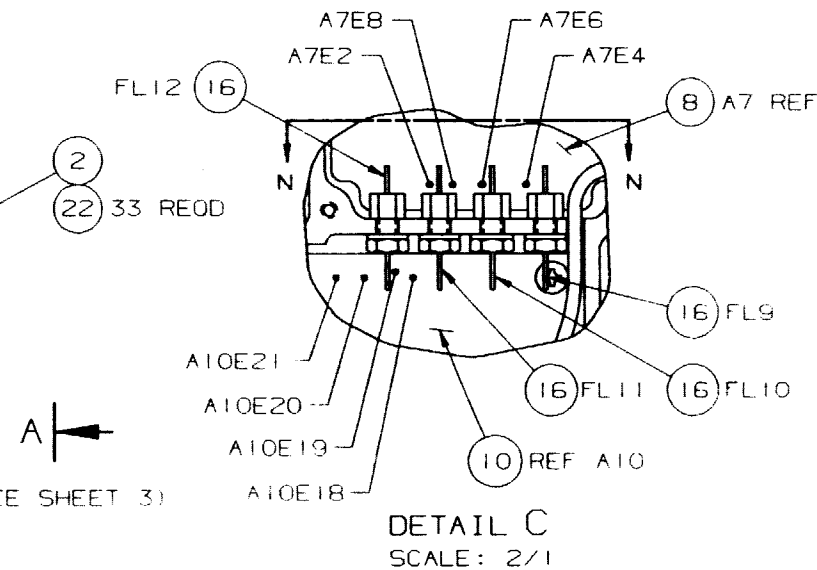
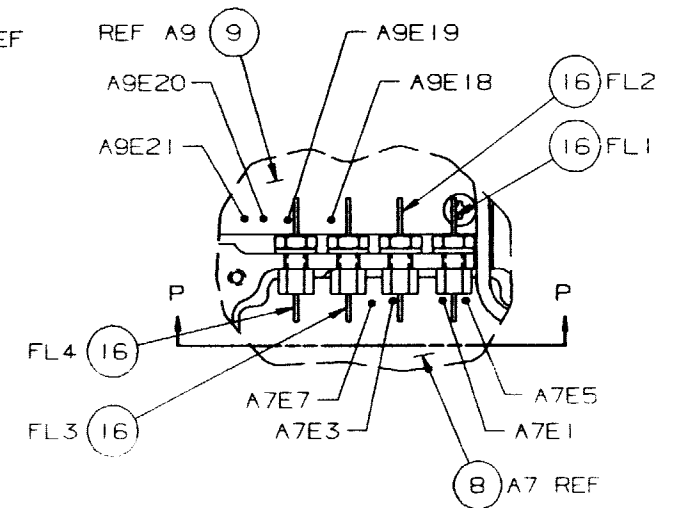
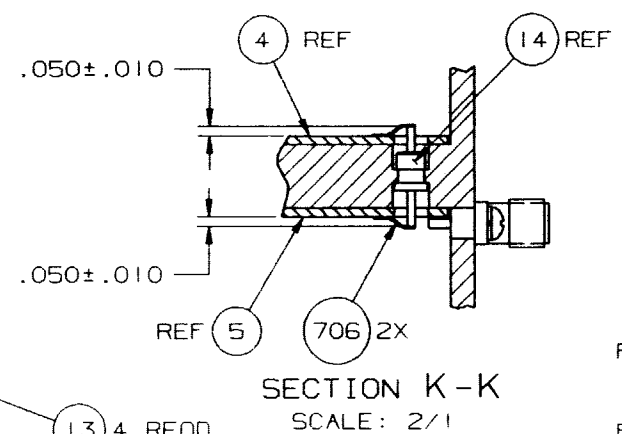
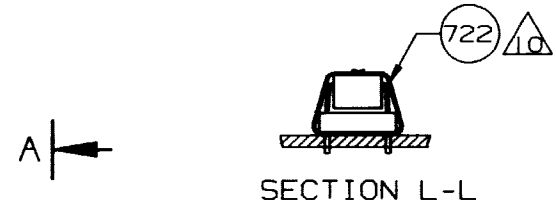
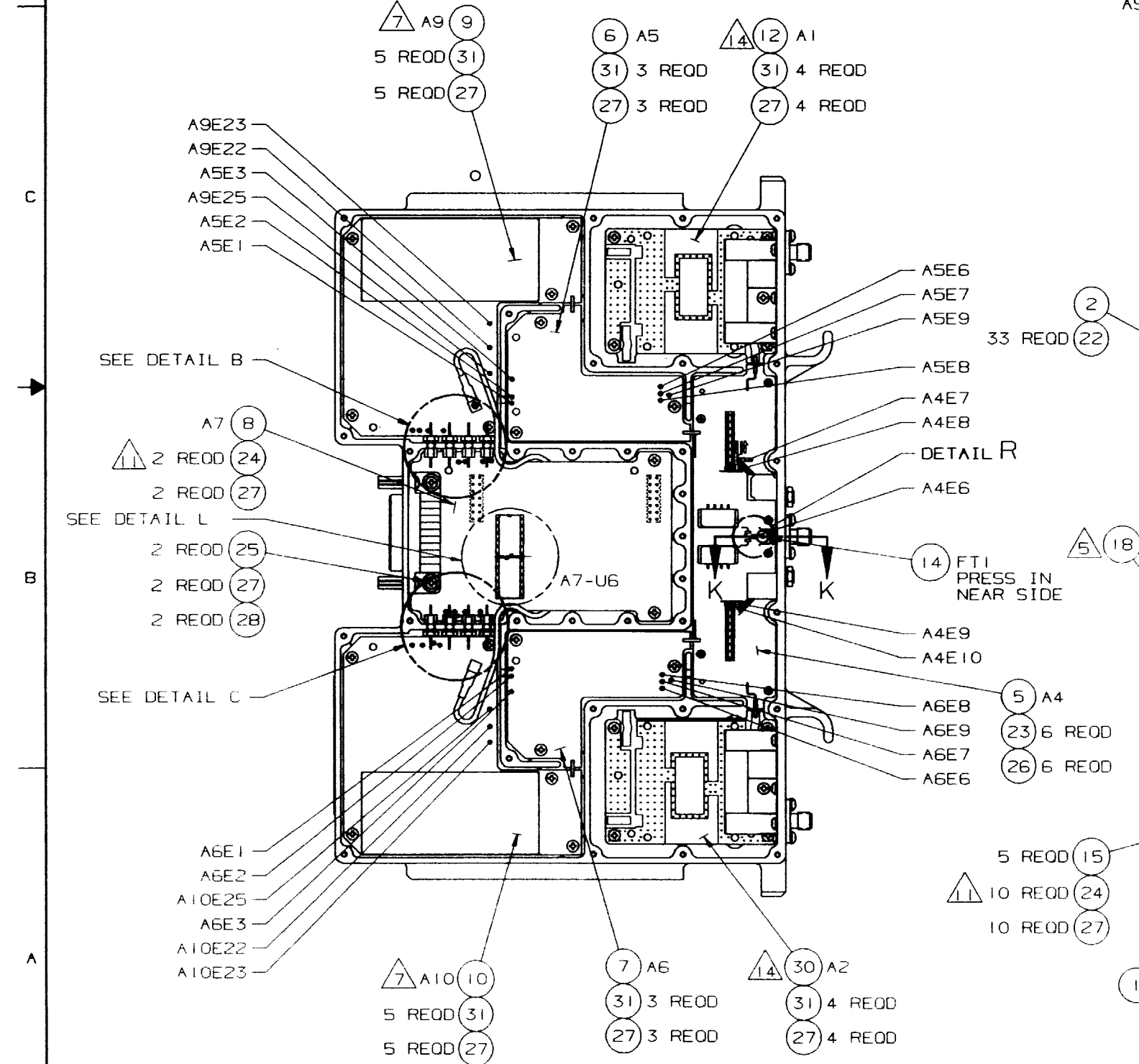
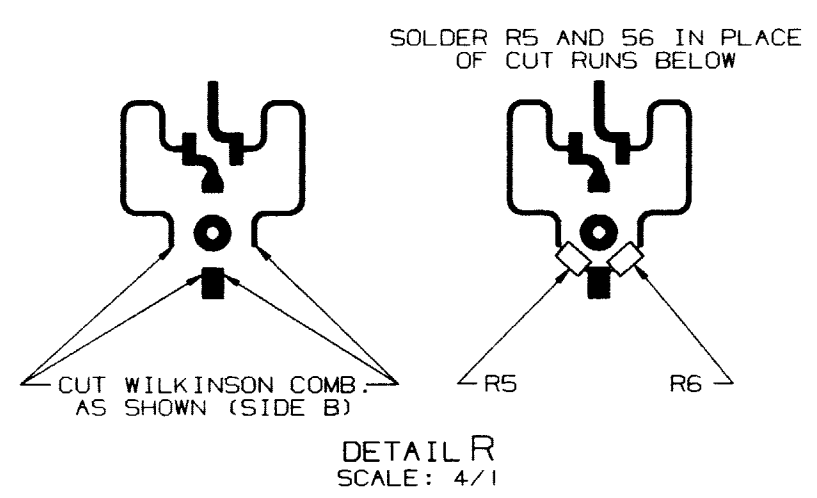
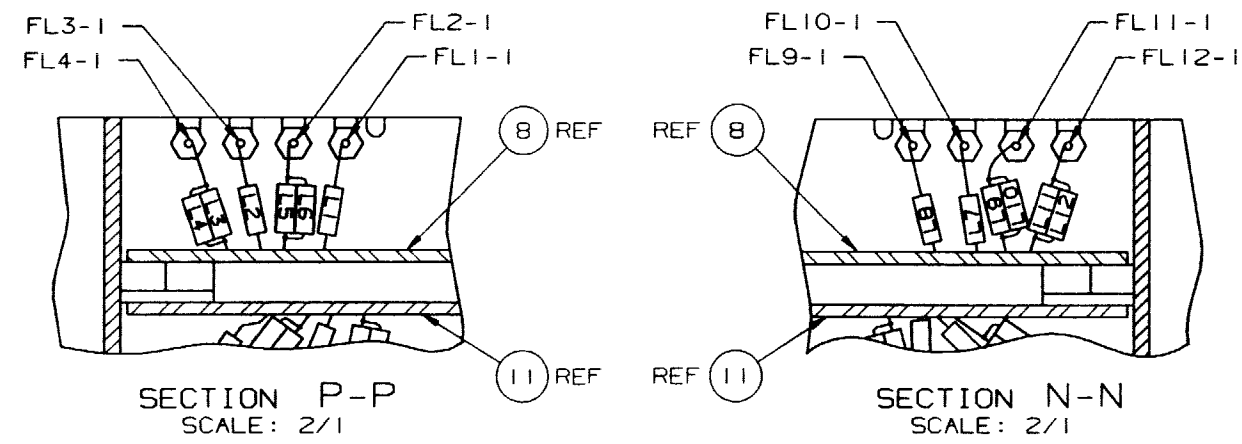
NOTES:

- SOLDER PER ITEM 702.
- WIRE PER ITEM 701, TERMINATION TABLE AND BUS WIRE DATA.
- TEST PER ITEM 704.
- APPLY ITEM 716 TO THREADS OF ALL NON-LOCKING HARDWARE, PER ITEM 717.
- TYPE APPLICABLE DASH NUMBER, REVISION STATUS AND SERIAL NUMBER BEFORE APPLICATION OF ITEM 18 PER ITEM 703. CENTER IN AREA INDICATED.
- SOLDER SHIELD TABS (ITEM 3) DOWN TO TOP OF FILTER AT INDICATED AREAS, PER ITEM 718.
- RECTANGULAR SHIELD ON ITEMS 9 AND 10 MAY NOT TOUCH HOUSING (4 SIDES).
- THE LABEL IDENTIFICATION (SERIAL) NUMBER WILL CONSIST OF AN 8 DIGIT CODE THE FIRST FOUR DIGITS OF THE I. D. NUMBER WILL CORRESPOND TO THE LAST FOUR DIGITS OF THE END ITEM SERIAL NUMBER. THE NEXT THREE DIGITS, SEPARATED FROM THE FIRST FOUR BY A PERIOD, IDENTIFY EACH INDIVIDUAL PROM. THE LAST DIGIT IDENTIFIES THE NUMBER OF TIMES THE END ITEM HAS BEEN CALIBRATED.
- PROGRAM ITEM 32 AND LABEL IT WITH ITEM 33 PER ITEM 704. BE SURE TO ENTER CORRECT DEVICE IDENTIFICATION WHEN PROMPTED, TO ENSURE APPROPRIATE PROGRAMMING VOLTAGES. THEN INSTALL DEVICE XXXX. RM1X ON ITEM 8 (A7) AND INSTALL DEVICE XXXX. RM2X ON ITEM 11 (A8).
- SECURE PROGRAMMED/LABELED (PER 9) ITEM 32 TO SOCKET ON ITEM 8 AND 11 RESPECTIVELY. ROUTE SPOT TIE, ITEM 722 BETWEEN IC SOCKET PINS, APPROXIMATELY CENTERED AS SHOWN (DETAILS M AND L), LOOP AROUND INSTALLED IC, ITEM 32, AND TIE SECURELY.
- MINIMUM TO NO STRESS RELIEF REQUIRED ITEM 17 (16 PLACES).
- CLEANING. USE CLEANING PROCEDURE OUTLINED BY DRAWINGS ITEM 6 AND ITEM 7.
- SET TORQUE ON MOUNTING HARDWARE TO 5±0.5 IN-LB.
- SOLDER SHIELD TAB (ITEM 3) TO SHIELD (ITEM 3) AS SHOWN PER ITEM 718. NOT REQUIRED IF TAB (ITEM 3) IS SPOT WELDED.

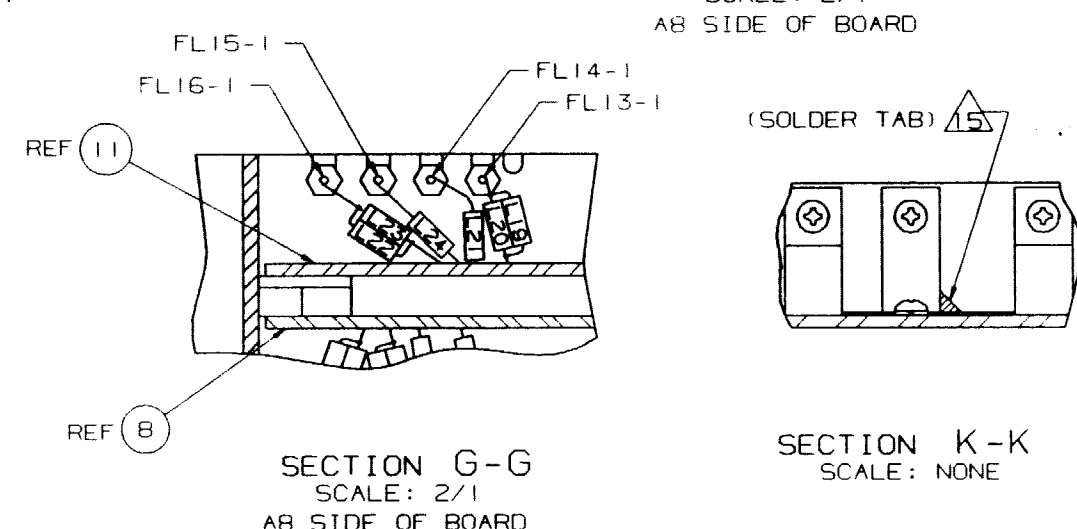
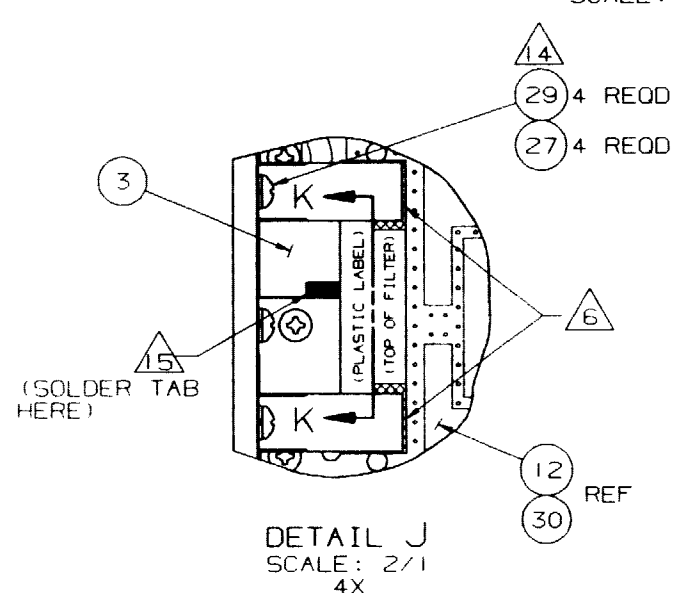
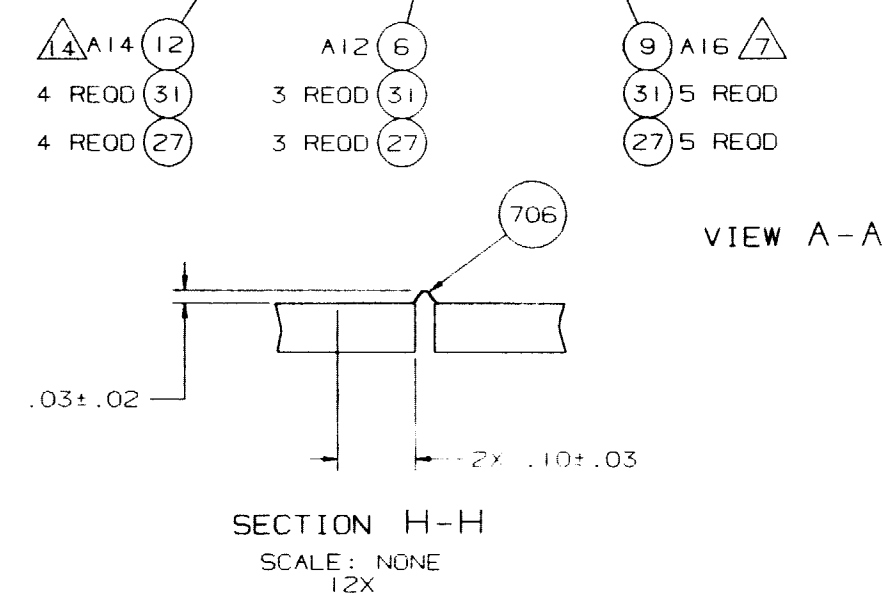
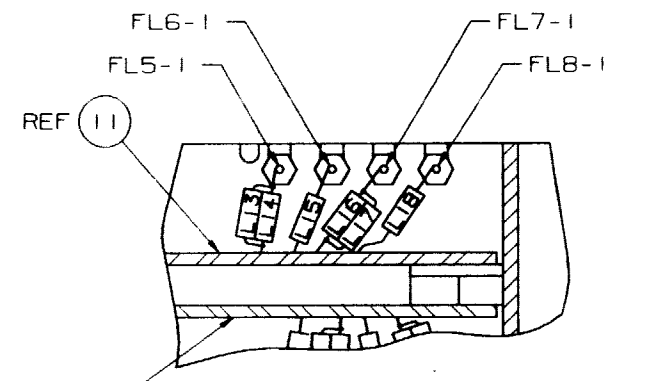
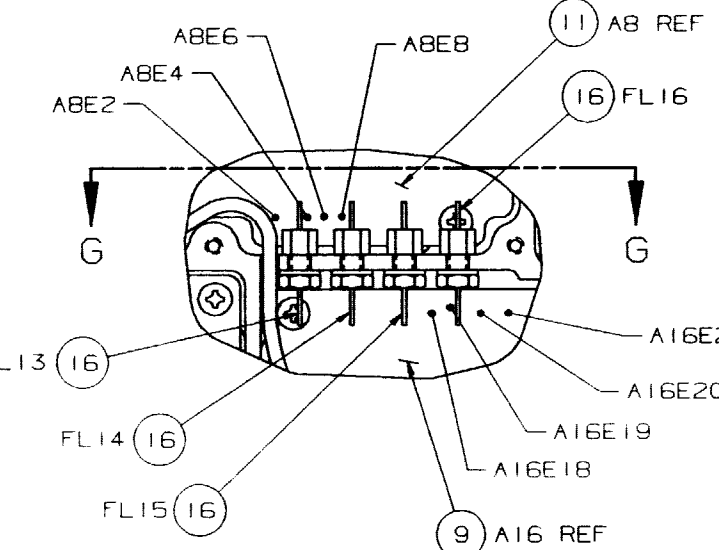
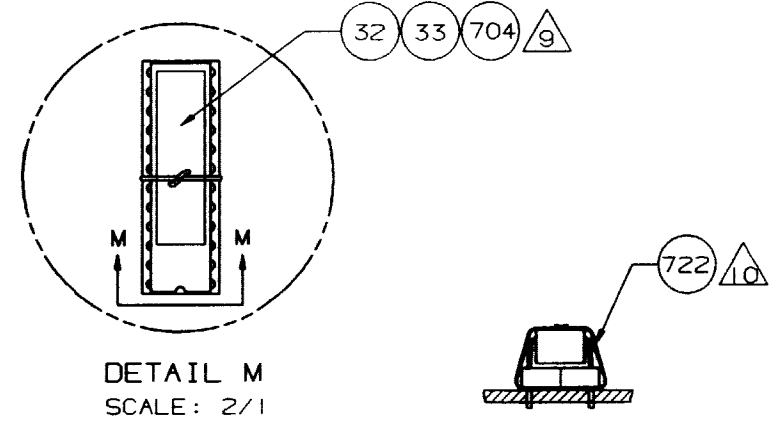
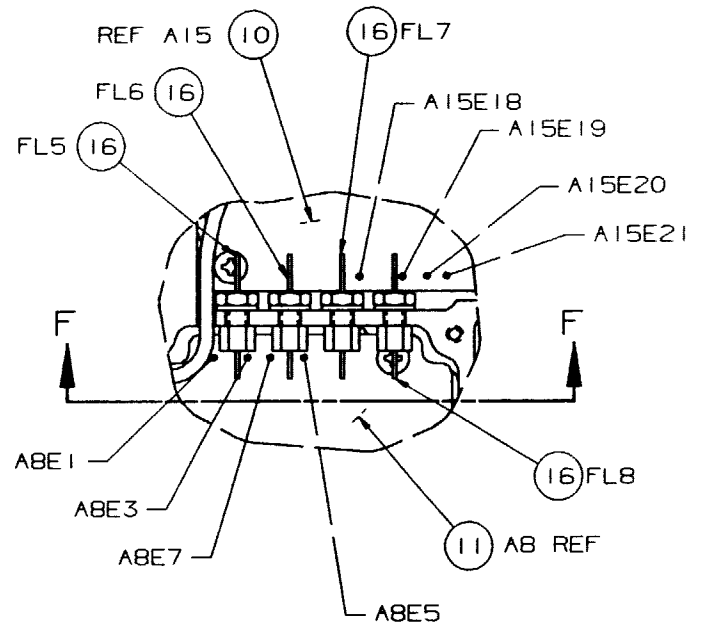
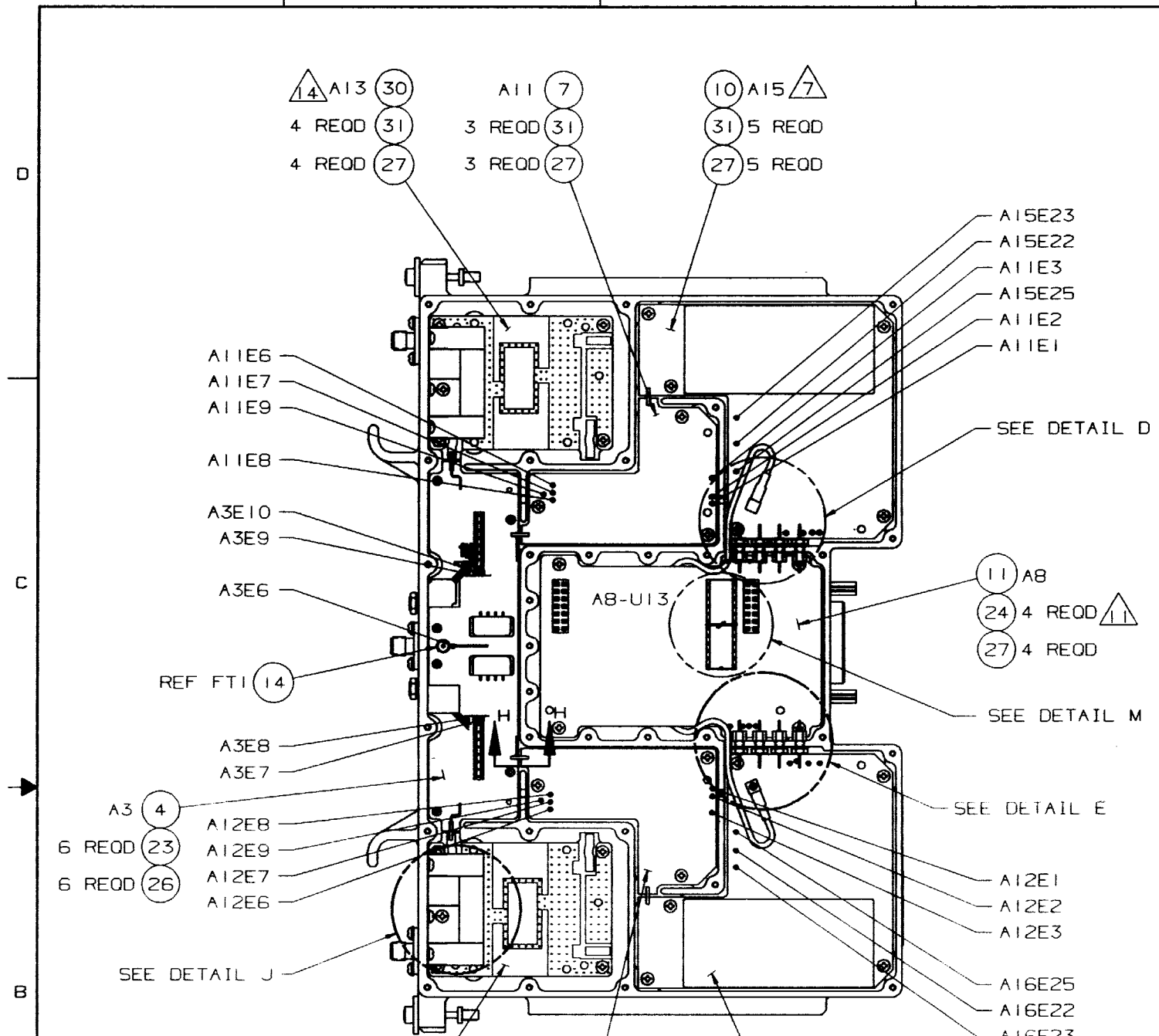
REV STATUS OF PARTS LIST SHALL BE SAME AS BASIC DRAWING NUMBER SEE SEPARATE PARTS LIST

45 44 43 42 41 40 39 38 37 36 35 34 33 32 31 30 29 28 27 26 25 24 23 22 21 20 19 18 17 16 15 14 13 12 11 10 9 8 7 6 5 4 3 2 1		J E G J	REV	SHEET	INDEX	CONTRACT	OPERATIONAL NOTE	
FOR HONEYWELL REFERENCE		INTERPRET DIMENSIONS AND TOLERANCES PER ANSI Y14.5M-1982		UNLESS OTHERWISE SPECIFIED, DIMENSIONS ARE IN INCHES; TOLERANCES: ANGLES ± -- 2 PL DEC ± -- 3 PL DEC ± --		DRAWN BY K.FREY	DATE 7SEP89	SIMILAR ASSEMBLY
MFG REF NO.		MATERIAL, PROCESS, FINISH		MILITARY DESIGNATION		DESIGNED BY K.FREY	DATE 30CT89	Honeywell COMMERCIAL FLIGHT SYSTEMS GROUP PHOENIX, ARIZONA
DPA NO. R-0742		MATERIAL, PROCESS, FINISH, SEE 00.40.		ITEM CODE (PER E86993B4)		CHECKED BY K.FREY	DATE 30CT89	
PRODUCT LINE NO. 3841		MATERIAL		THIRD ANGLE PROJECTION		APVD FOR MFG R.BUSBOOM	DATE 30CT89	RECEIVER ASSY (A5)
AW/PS ANALYSIS EB 4054939		PROCESS		DWG CLASS A		APVD FOR ENGRG B.BRETTNER	DATE 30CT89	
REF DWG		FINISH		FIRST USED ON 4066010		APVD FOR	DATE	SIZE CAGE CODE D 55939
4066010		4066010		NEXT ASSY		DRAWING NO. 7514217-902		REVISION J
APPLICATION		USED ON (SYS)		SCALE 1/1		UNIT WT		SHEET 1 OF 4

REVISIONS				
ZONE	REV	DESCRIPTION	DATE	APPROVED
	A	ADDED DETAIL M. ADDED SECTIONS H-H, J-J AND L-L. UPD'D VIEW.	4 JUN 60	B. BRETTNER
C5	B	UOTD VIEW: ADD NOTE 12 CALLOUT.	27 MAR 61	B. BRETTNER
		48822 (M)		WALTHER
B5, B	D	UOTD VIEW: RELOC B ITEM 18 CALLOUT. RMV NOTE 12 CALLOUT.	13 JUL 61	C. DOSDALL
		48648 (B)		WALTHER
	E	VIEW: B ITEM 27 (IX) AND 30 CALLOUT: ADD NOTE 14 REF.	18 FEB 62	B. BRETTNER
		56902 (M)		BARLOW
C4-6 A4, 6	F	UOTD VIEW: RMV B ITEM 19 CALLOUT.	12 MAY 62	B. BRETTNER
		55407 (M)		BARLOW
	G	VIEW: ADD DETAIL R.	12 MAY 62	B. BRETTNER
		55465 (B)		BARLOW



ZONE		REV	DESCRIPTION	DATE	APPROVED
		A	ADDED DETAIL M AND SECTION M-M. UPD'D VIEWS.	4 JUN 80	B. BRETTNER
		B, D7, A4, 5, A1	VIEW A-A: B ITEM 12 AND 27 CALLOUT: ADD NOTE 14 REF. UOTD DET J: B ITEM 29 CALLOUT: ADD NOTE 14 REF. ADD NOTE 15 CALLOUT: ADD SECT J-J CALLING. ADD SECT J-J.	16 Feb 92	B. BRETTNER
		E	SEE SH 1.	56902 (M)	BARLOW B.J.



REVISIONS				
ZONE	REV	DESCRIPTION	DATE	APPROVED
	A	UPD TO BUS WIRE DATA TABLE.	4 JUN 80	B. BRETTNER SBA RR
	H	ADD MOD STAT TBL. SEE SH I.	27417 (M-A5) 83309 (B) 18 AUG 84	M. D. SMITH 18 AUG 84 BEGAY BJ
	J	MOD STAT TBL: ADD MOD LTR C. SEE SH I.	96274 (B) 28 SEPT 00	M. D. SMITH 28 SEPT 00 BEGAY CH

TERMINATION TABLE				
ITEM NO.	REF DES	FROM	TO	SLEEVING ITEM NO.
13	R1	RED	A5E8	714
13	R1	GRN	A5E8	
13	R1	YEL	A5E9	
707		A4E7	A5E6	714
708		A4E8	A5E7	
13	R2	RED	A11E8	
13	R2	GRN	A11E8	714
13	R2	YEL	A11E9	
707		A3E10	A11E6	
708		A3E9	A11E7	714
13	R3	RED	A6E8	
13	R3	GRN	A6E8	
13	R3	YEL	A6E9	714
707		A4E10	A6E6	
708		A4E9	A6E7	
13	R4	RED	A12E8	714
13	R4	GRN	A12E8	
13	R4	YEL	A12E9	
707		A3E7	A12E6	714
708		A3E8	A12E7	
17	L1	FL1-1	A7E5	
17	L2	FL3-1	A7E3	
17	L3	FL4-1	A7E7	
17	L4	FL4-1	A7E7	
17	L5	FL2-1	A7E1	
17	L6	FL2-1	A7E1	
17	L7	FL10-1	A7E6	
17	L8	FL9-1	A7E4	
17	L9	FL11-1	A7E8	
17	L10	FL11-1	A7E8	
17	L11	FL12-1	A7E2	
17	L12	FL12-1	A7E2	
17	L13	FL5-1	A8E1	
17	L14	FL5-1	A8E1	
17	L15	FL6-1	A8E3	
17	L16	FL7-1	A8E7	
17	L17	FL7-1	A8E7	
17	L18	FL8-1	A8E5	
17	L19	FL13-1	A8E2	
17	L20	FL13-1	A8E2	
17	L21	FL14-1	A8E4	
17	L22	FL16-1	A8E8	
17	L23	FL16-1	A8E8	
17	L24	FL15-1	A8E6	
8	A7	180-OUT	A10P1	
8	A7	0-OUT	A9P1	
11	A8	90-OUT	A15P1	
11	A8	270-OUT	A16P1	

BUS WIRE DATA				
CONDUCTOR NO.	ITEM NO.	FROM CIRCUIT POINT	TO CIRCUIT POINT	COLOR
601	709	A5E3	A9E25	BLK
602	712	A5E1	A9E23	BLU
603	710	A5E2	A9E22	RED
604	709	A6E3	A10E25	BLK
605	712	A6E1	A10E23	BLU
606	710	A6E2	A10E22	RED
607	709	A11E3	A15E25	BLK
608	712	A11E1	A15E23	BLU
609	710	A11E2	A15E22	RED
610	709	A12E3	A16E25	BLK
611	712	A12E1	A16E23	BLU
612	710	A12E2	A16E22	RED
613	712	FL1-2	A9E20	BLU
614	711	FL2-2	A9E18	YEL
615	710	FL3-2	A9E19	RED
616	709	FL4-2	A9E21	BLK
617	710	FL9-2	A10E19	RED
618	712	FL10-2	A10E20	BLU
619	709	FL11-2	A10E21	BLK
620	711	FL12-2	A10E18	YEL
621	711	FL5-2	A15E18	YEL
622	710	FL6-2	A15E19	RED
623	709	FL7-2	A15E21	BLK
624	712	FL8-2	A15E20	BLU
625	711	FL13-2	A16E18	YEL
626	710	FL14-2	A16E19	RED
627	712	FL15-2	A16E20	BLU
628	709	FL16-2	A16E21	BLK
629	706	FT1	A4E6	
630	706	FT1	A3E6	

MODIFICATION STATUS TABLE				
MOD LTR	REFERENCE DOCUMENT	REMARKS	AFFECTED SUBASSEMBLIES DRAWING REV	NAMEPLATE SERIAL NO. EFFECTIVITY
A	C21-3841-007	INCORPORATES FACTORY ENHANCEMENTS (INCLUDING IMPROVED IMAGE REJECTION, REDUCED "LOAD PULL" SUSCEPTIBILITY AND IMPROVED IF RESERVE GAIN) INTO PREVIOUSLY UNMODIFIED UNITS.	7514201-901 REV D 7514203-901 REV E 7514217-902 REV G 7514232 REV C	9407XXXX
B	A21-1994-106 C21-3841-016	ACCOMODATES A MANUFACTURER'S CHANGE TO THE PROGRAMMING VOLTAGES OF THE PERSONALITY PROMs.	7500672 REV A 7514217-902 REV H IT7514217-902 REV D	9407XXXX
C	C21-3841-029	INCORPORATES AN IMPROVEMENT TO THE VIDEO RESPONSE TO IMPROVE NARROW PULSE ACCEPTANCE.	7514209-901 REV G 7514211-901 REV G 7514217-902 REV J	0007XXXX

SEP 25 2000 dwoodfor 14:25:26