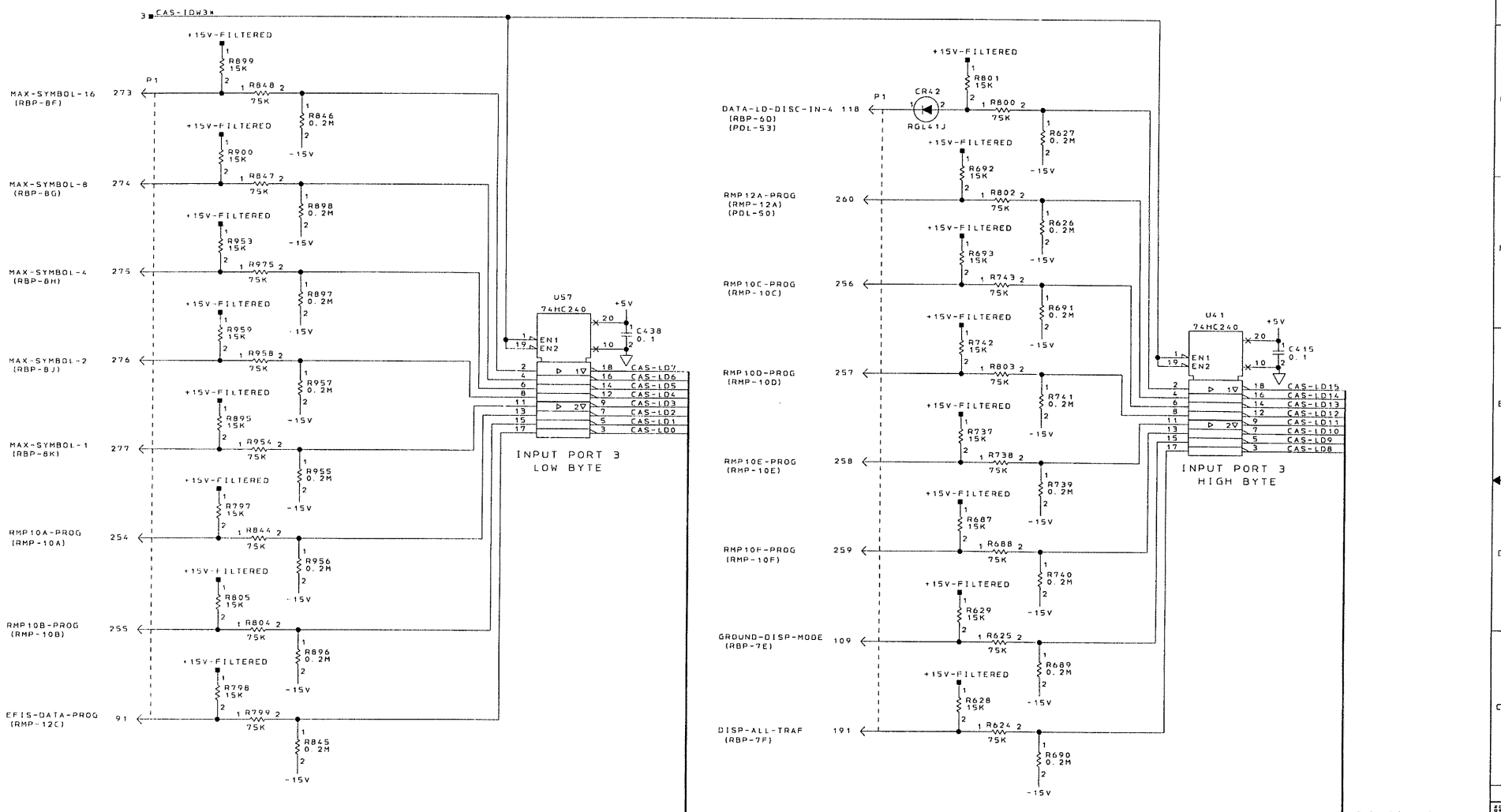


REV		DESCRIPTION	DATE	APPROVED

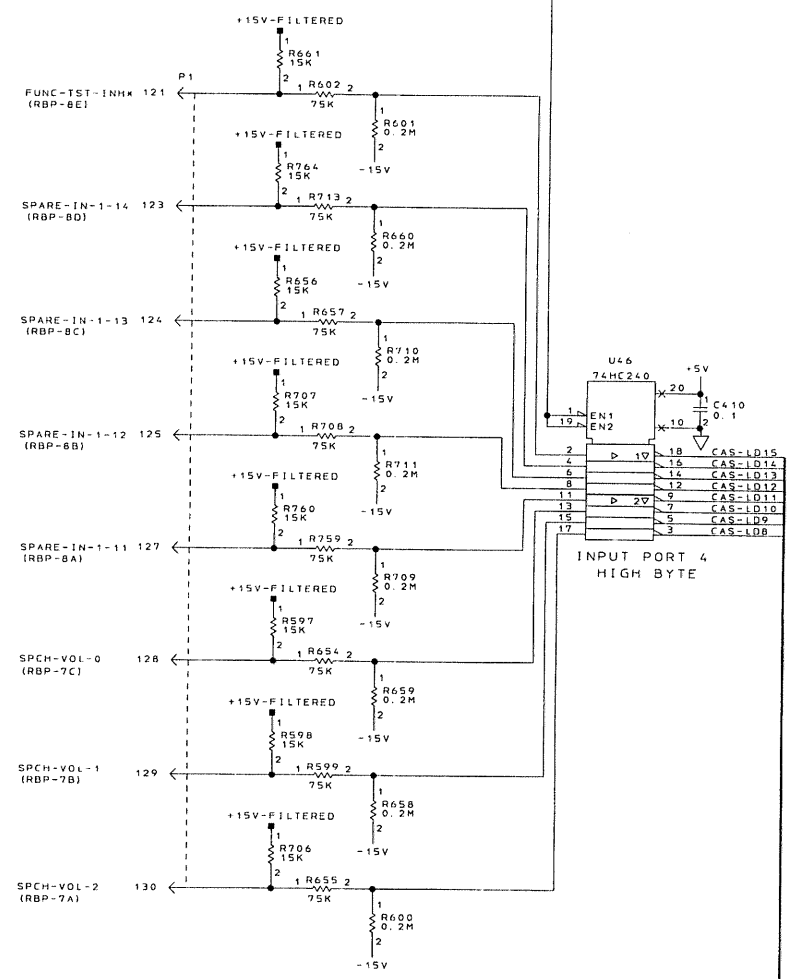
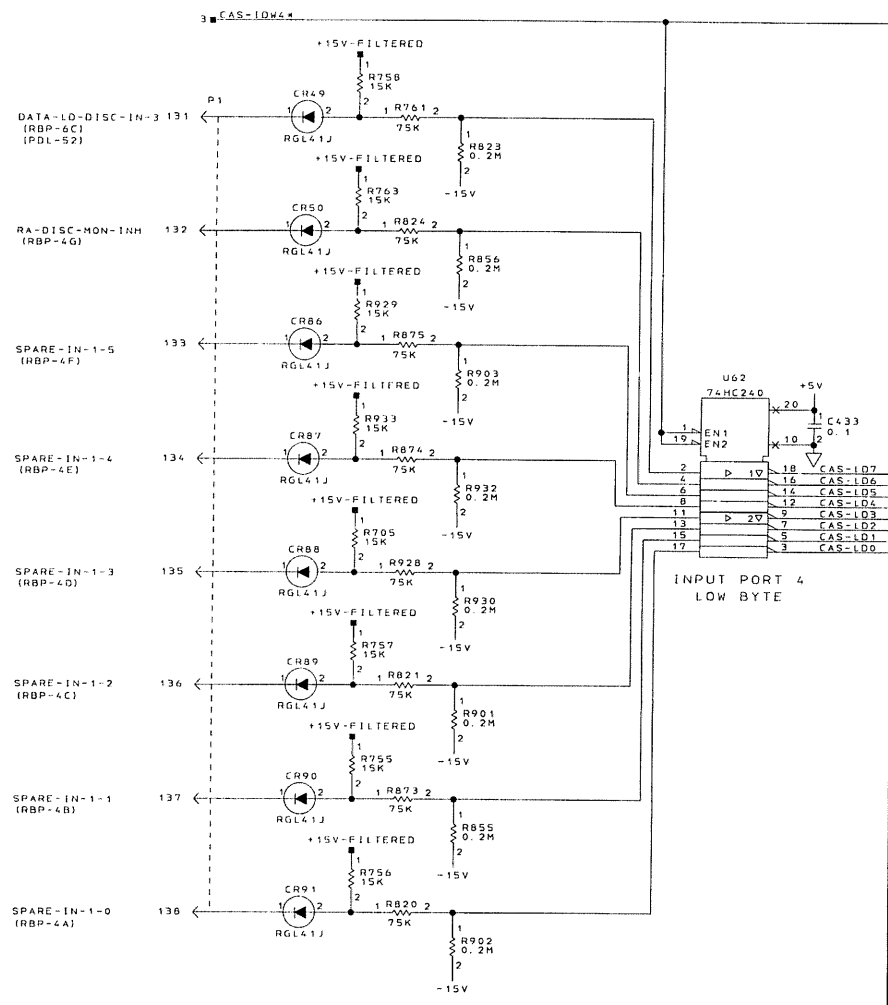


CAS-LD 15.01  
3-6, 8-11, 13-16, 22, 25

CAS CPU DISCRETE INPUTS  
A2 PROCESSOR CCA  
SCHEMATIC DIAGRAM SHEET NO. 12

COMPUTER GENERATED

REVISIONS		
REV	DESCRIPTION	DATE
1		



INPUT PORT 4  
LOW BYTE

INPUT PORT 4  
HIGH BYTE

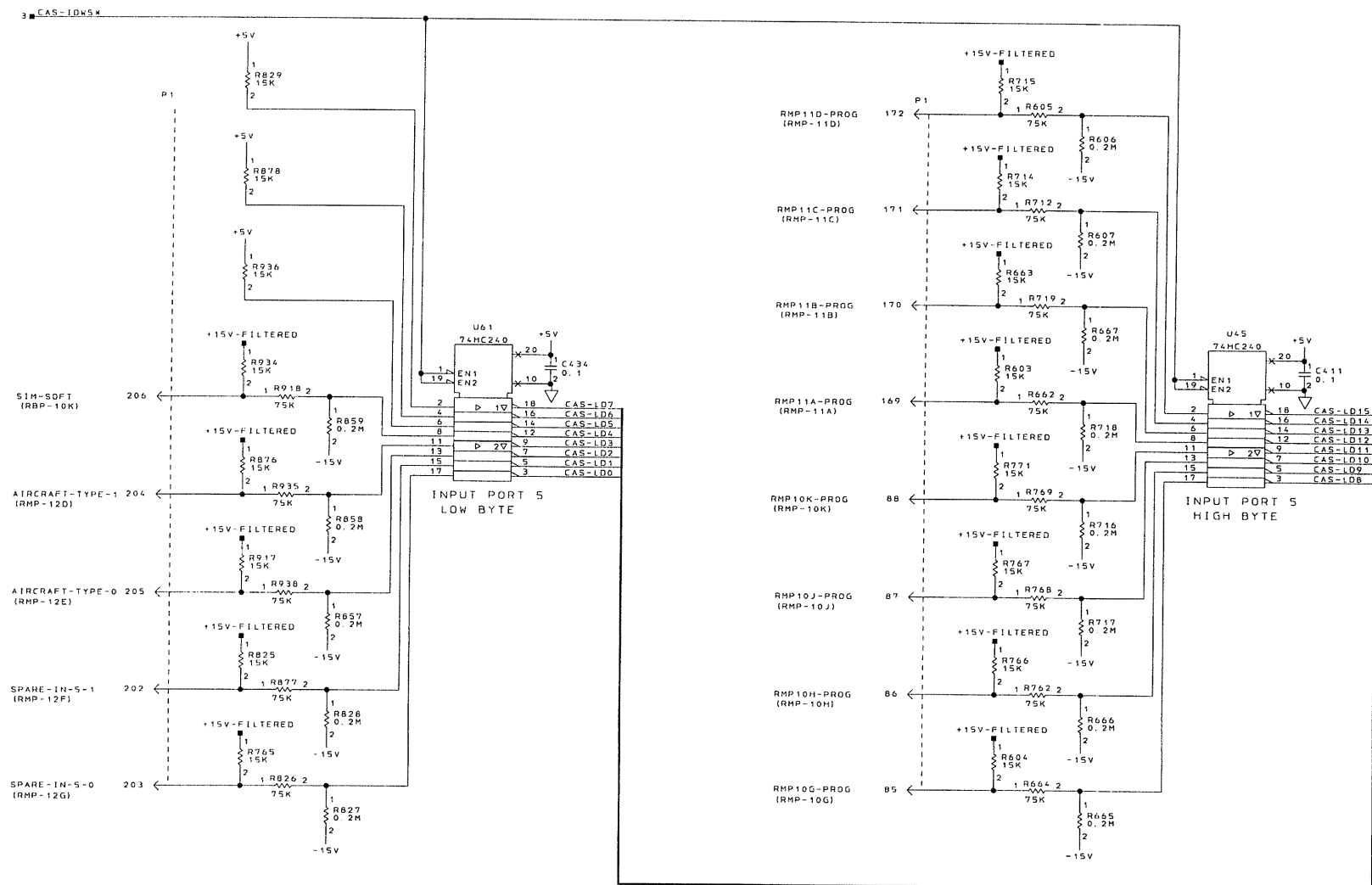
CAS-LD(15:0)  
3-6, 8-12, 14-16, 22, 25

CAS CPU DISCRETE INPUTS  
A2 PROCESSOR CCA  
SCHEMATIC DIAGRAM SHEET NO. 13

COMPUTER GENERATED

Honeywell	SEE FIRST SHEET FOR CONTRACT NUMBER.	SIZE CASE CODE	DRAWING NO.
	USE OR DISCLOSURE OF INFORMATION ON THIS SHEET IS SUBJECT TO THE RESTRICTIONS ON THE FIRST SHEET OF THIS DOCUMENT.	E 55939	4066017-905
SCALE		SHEET 16	

3-6, 8-12, 14-16, 22, 25

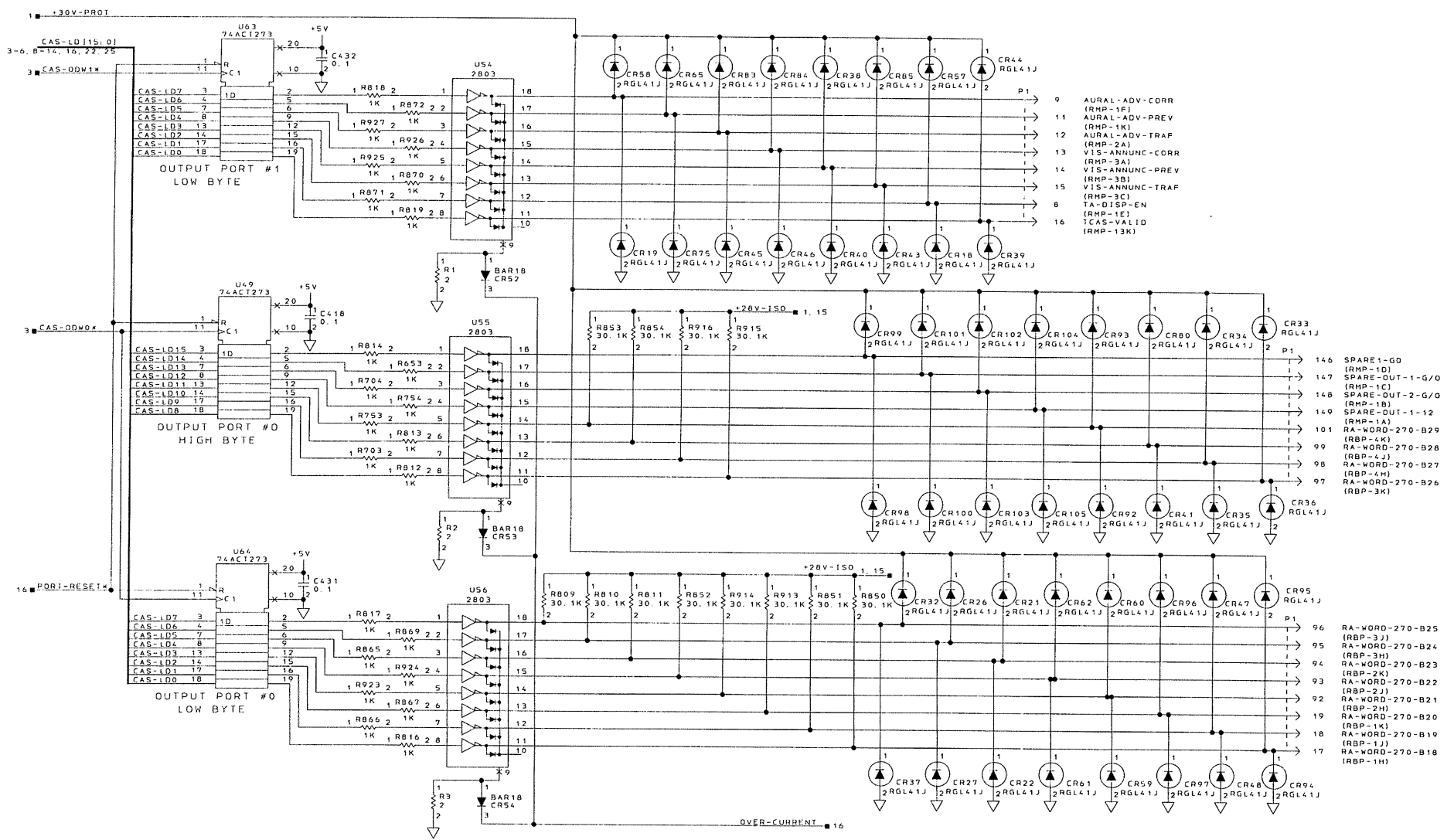


CAS-LD [15:0]  
3-0, 8-13, 15, 16, 22, 25

CAS CPU DISCRETE INPUTS  
A2 PROCESSOR CCA  
SCHEMATIC DIAGRAM SHEET NO. 14

COMPUTER GENERATED

3066017-905 14  
 SHEET 17



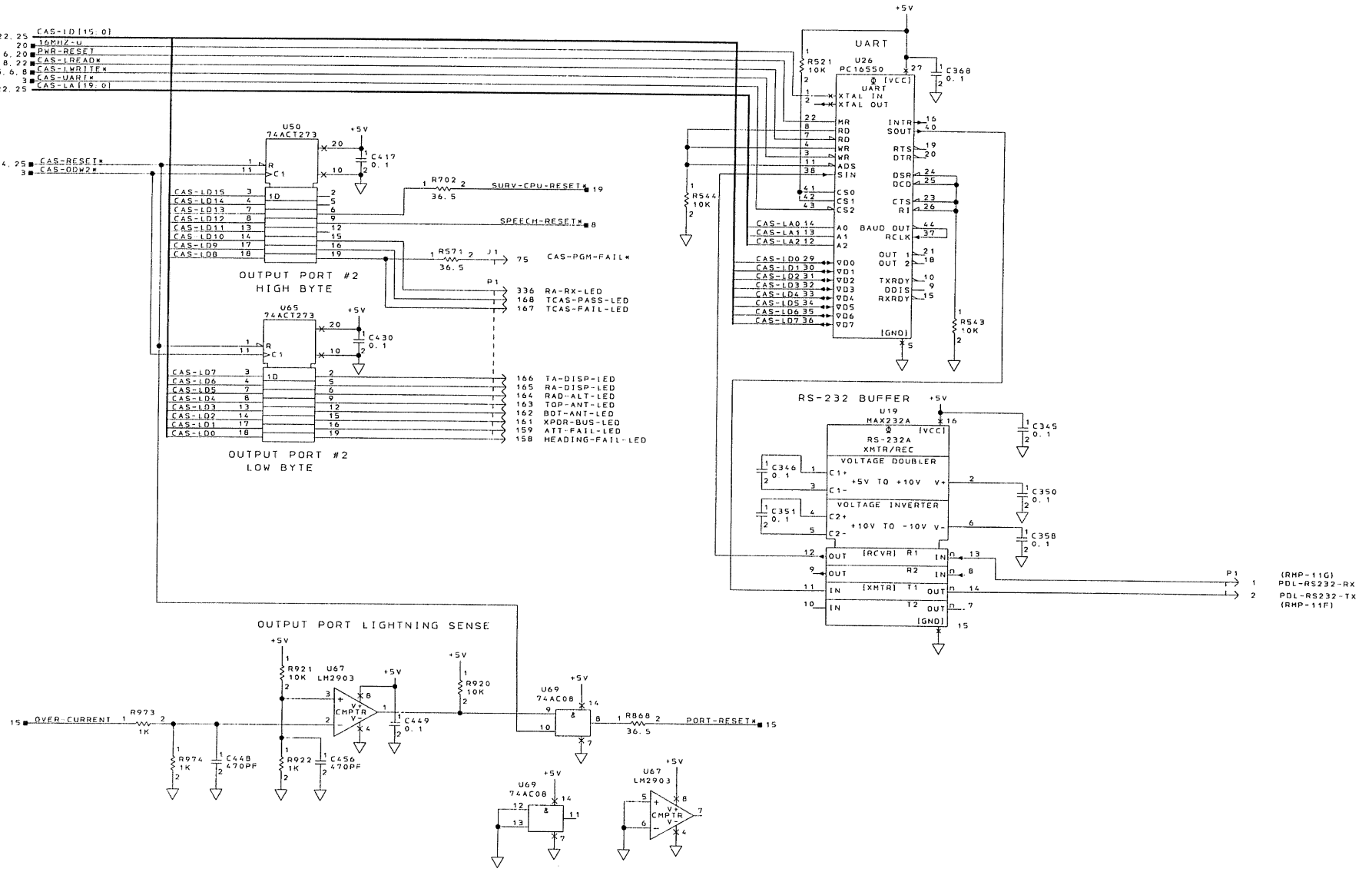
CAS CPU DISCRETE OUTPUTS  
 A2 PROCESSOR CCA  
 SCHEMATIC DIAGRAM SHEET NO. 15

COMPUTER GENERATED

150-000017-905 18

- 3-6, 8, 15, 22, 25 CAS-LD15 01
- 20 IBMIZ-U
- 4, 6, 20 PRR-RESET
- 2-6, 8, 22 CAS-LRFADK
- 2, 5, 6, 8 CAS-LWRITEK
- 3 CAS-LHAIK
- 3-6, 8, 22, 25 CAS-LA [19, 0]

- 2, 3, 8, 24, 25 CAS-RESET\*
- 3 CAS-ODK2\*



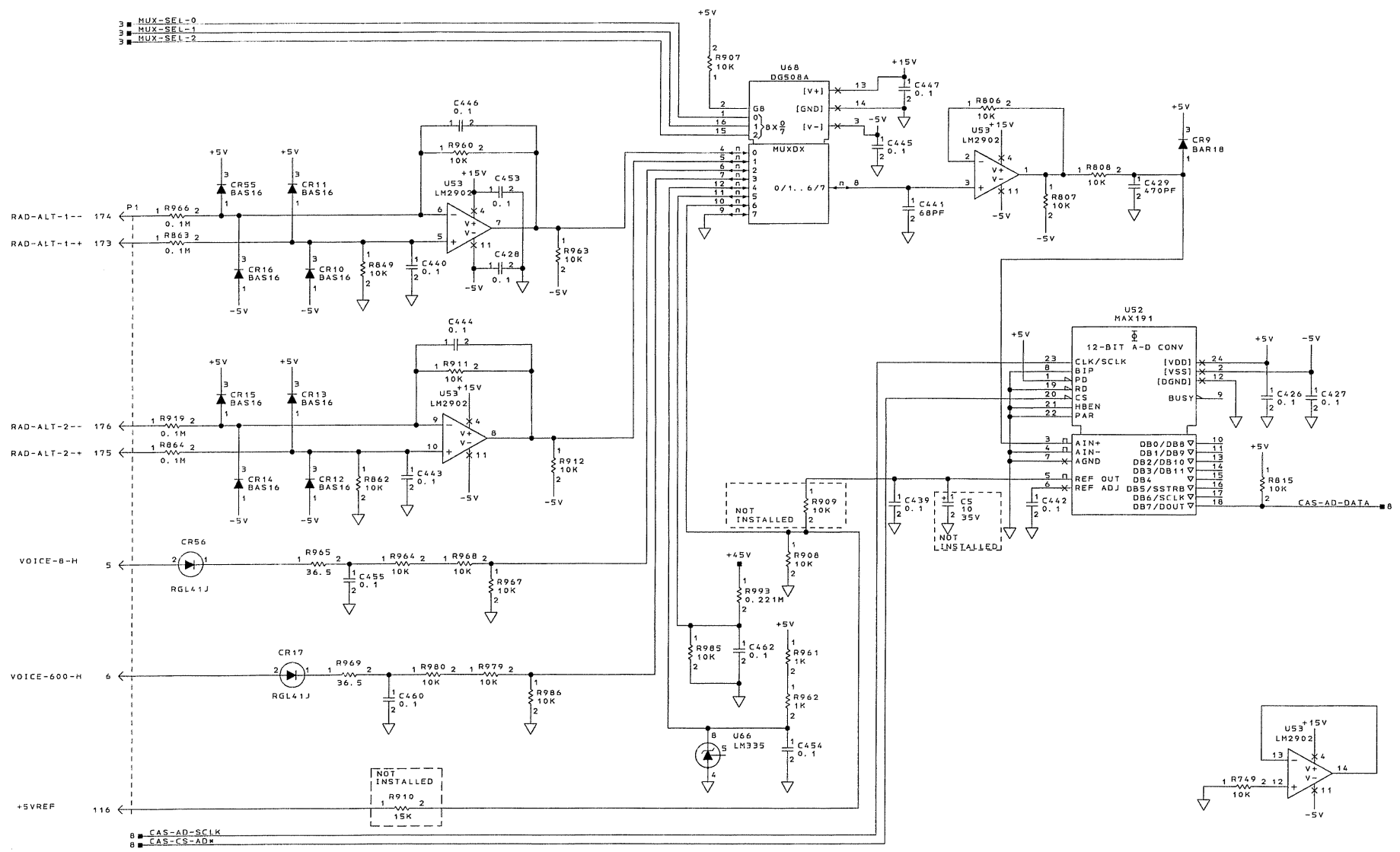
- P1 1 (RMP-11G)
- 2 PDL-RS232-RX
- 3 PDL-RS232-TX
- 4 (RMP-11F)

CAS CPU UART AND OUTPUT PORTS  
 A2 PROCESSOR CCA  
 SCHEMATIC DIAGRAM SHEET NO. 16

COMPUTER GENERATED

4066017-905 19

REVISIONS		DATE	APPROVED
ZONE	REV	DESCRIPTION	
A		UDTD SCHEM REF DES R910 WAS INSTALLED.	25/10/80 S. Williams M. Richards
		26278 (H)	
		SEE DWG SHEET 1.	

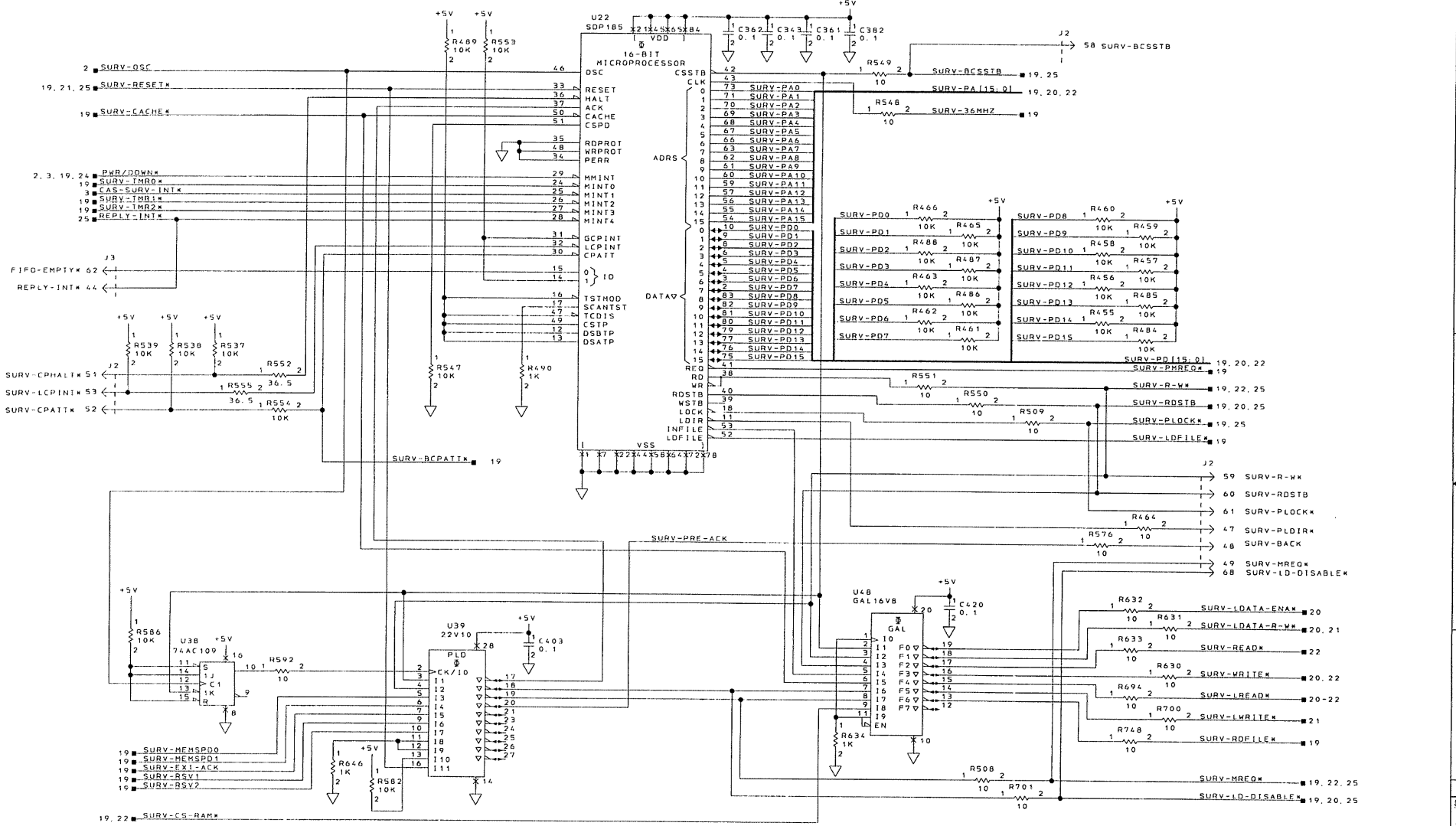


CAS CPU ANALOG INPUTS  
A2 PROCESSOR CCA  
SCHEMATIC DIAGRAM SHEET NO. 17

COMPUTER GENERATED

Honeywell	SEE FIRST SHEET FOR CONTRACT NUMBER, USE OR DISCLOSURE OF INFORMATION IN THIS SHEET IS SUBJECT TO THE RESTRICTIONS ON THE FIRST SHEET OF THIS DOCUMENT.	SIZE CASE CODE	DRAWING NO.	REV
		E 55939	4066017-905	A
SCALE		SHEET 20		

1506-L10907  
 SHEET 20

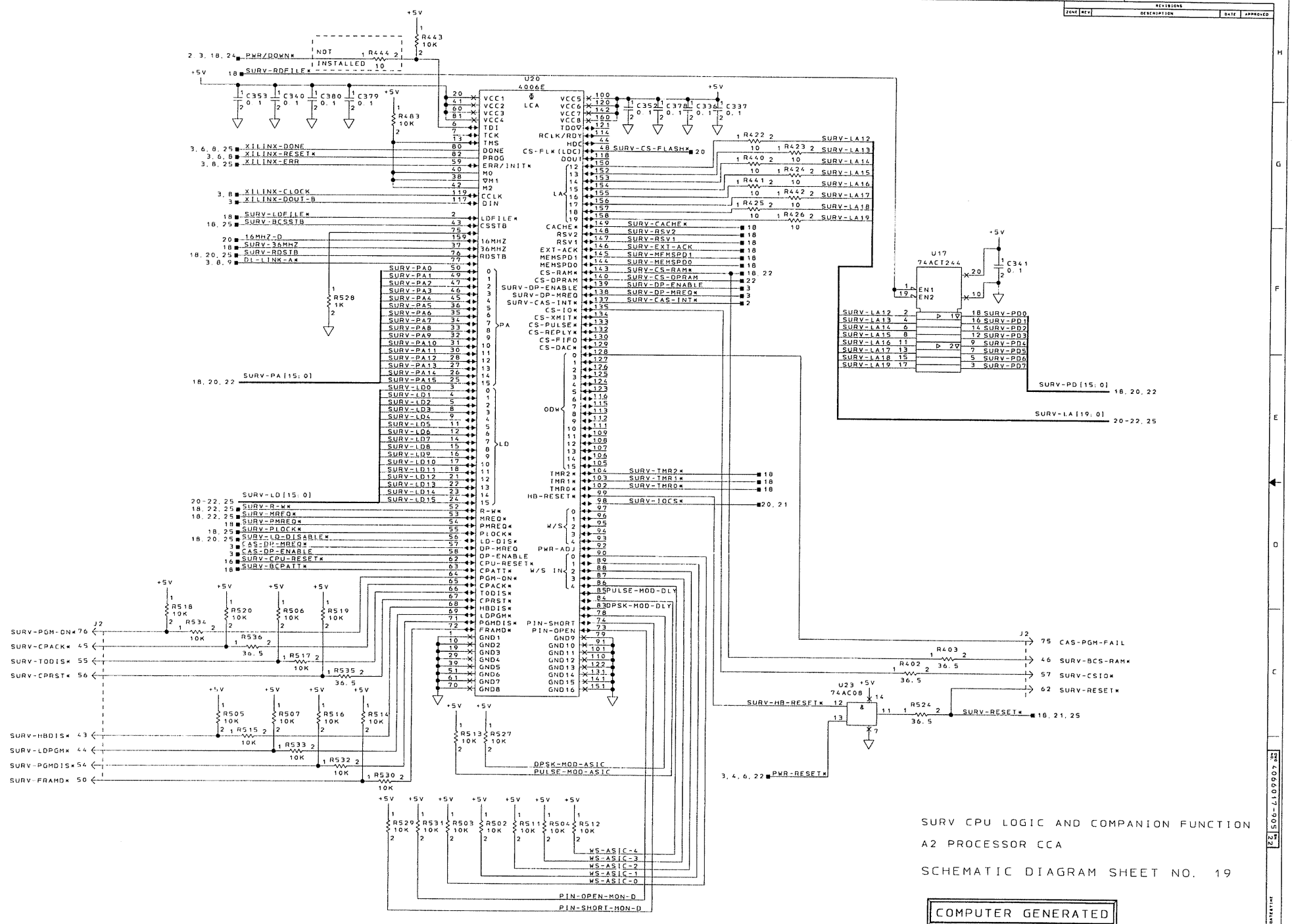


SURV CPU SDP185 PROCESSOR  
 A2 PROCESSOR CCA  
 SCHEMATIC DIAGRAM SHEET NO. 18

COMPUTER GENERATED

4066017-905 21

REVISIONS			
ZONE	REV	DESCRIPTION	DATE



SURV CPU LOGIC AND COMPANION FUNCTION  
 A2 PROCESSOR CCA  
 SCHEMATIC DIAGRAM SHEET NO. 19

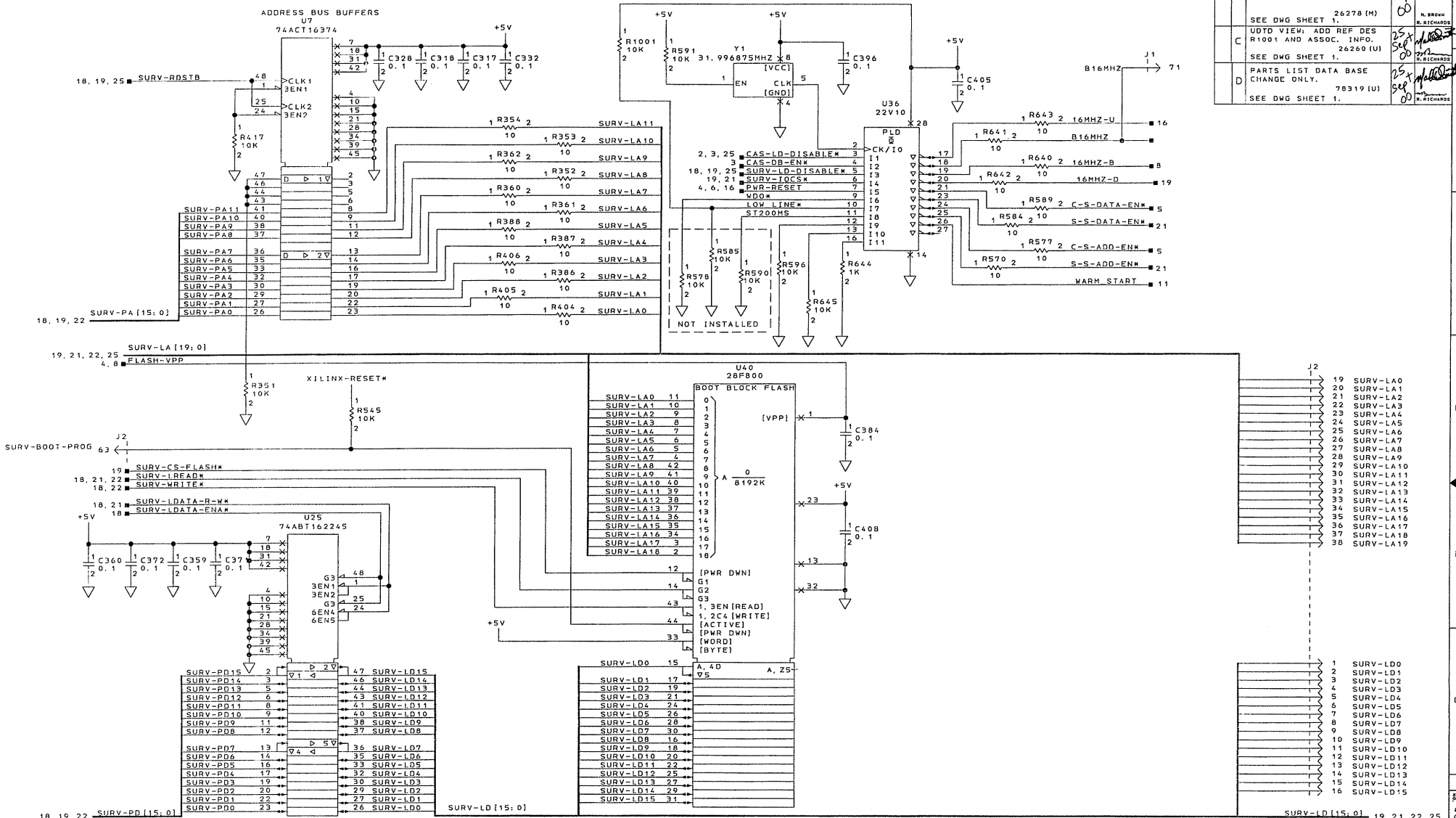
COMPUTER GENERATED

Honeywell	SEE FIRST SHEET FOR CONTRACT NUMBER.	SIZE CASE COST	DRAWING NO
	USE OR DISREGARD OF INFORMATION ON THIS SHEET IS SUBJECT TO THE RESTRICTIONS ON THE FIRST SHEET OF THIS DOCUMENT.	E 35939	4066017-905
	SCALE		SHEET 22

4066017-905



REVISIONS				
ZONE	REV	DESCRIPTION	DATE	APPROVED
A		UDTD VIEW: ADD NET AND LABEL TO U36-26. ADD LABEL TO U36-9, 10 AND 11. REF DES R578, R585 AND R590 WERE INSTALLED.	25 SEP 00	L. KEEFER
		SEE DWG SHEET 26278 (M)		N. BROWN
C		UDTD VIEW: ADD REF DES R1001 AND ASSOC. INFO.	25 SEP 00	M. RICHARDS
		SEE DWG SHEET 26260 (U)		M. RICHARDS
D		PARTS LIST DATA BASE CHANGE ONLY.	25 SEP 00	M. RICHARDS
		SEE DWG SHEET 78319 (U)		M. RICHARDS



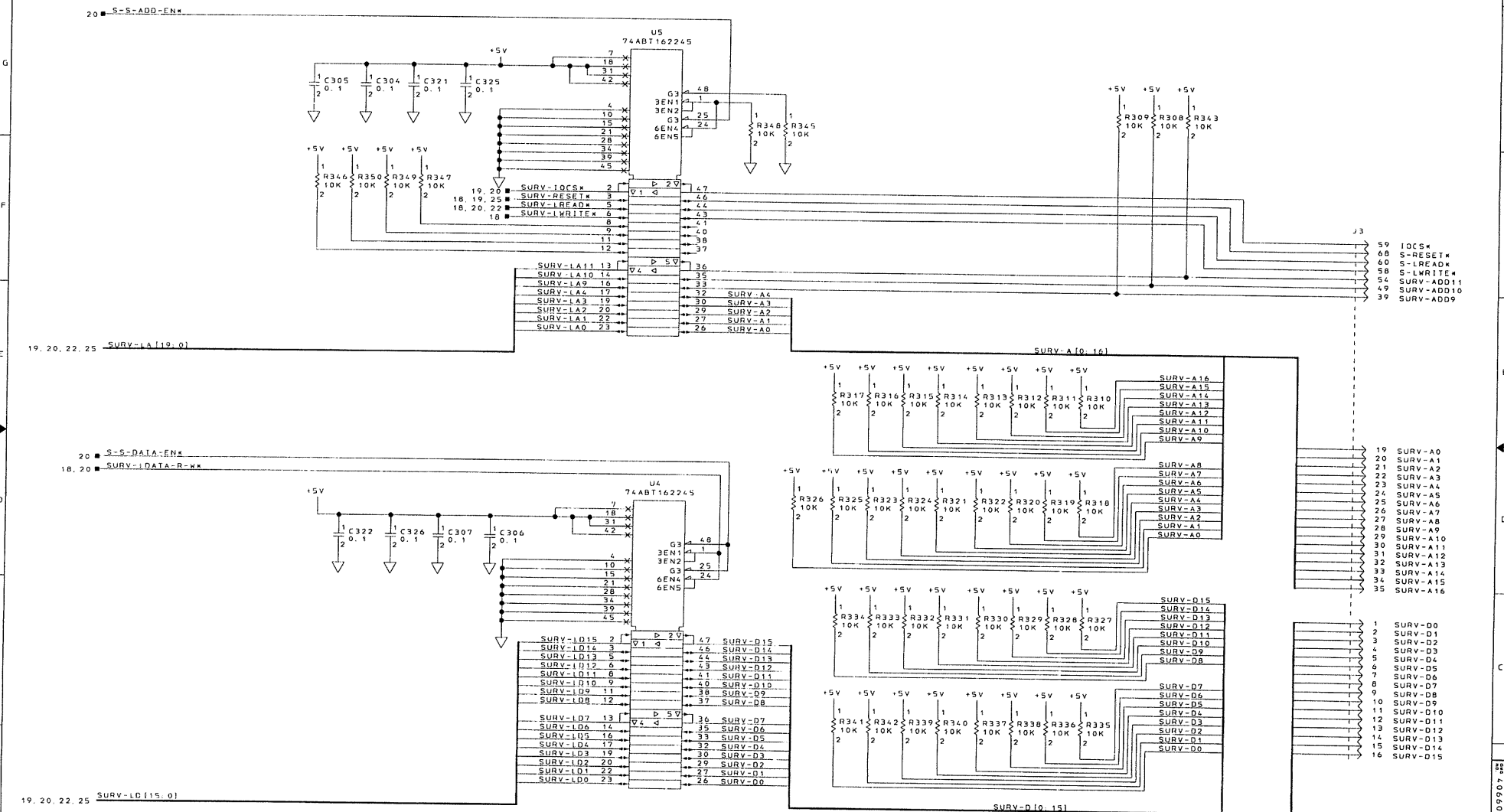
SURV CPU FLASH EPROM MEMORY  
A2 PROCESSOR CCA  
SCHEMATIC DIAGRAM SHEET NO. 20

COMPUTER GENERATED

Honeywell	SEE FIRST SHEET FOR CONTRACT NUMBER. USE OR DISCLOSURE OF INFORMATION ON THIS SHEET IS SUBJECT TO THE RESTRICTIONS ON THE FIRST SHEET OF THIS DOCUMENT.	SIZE: 55939	DRAWING NO.: 4066017-905	REV: D
		SCALE: -	SHEET: 23	

4066017-905 SHEET 23

REV	DESCRIPTION	DATE	APPROVED

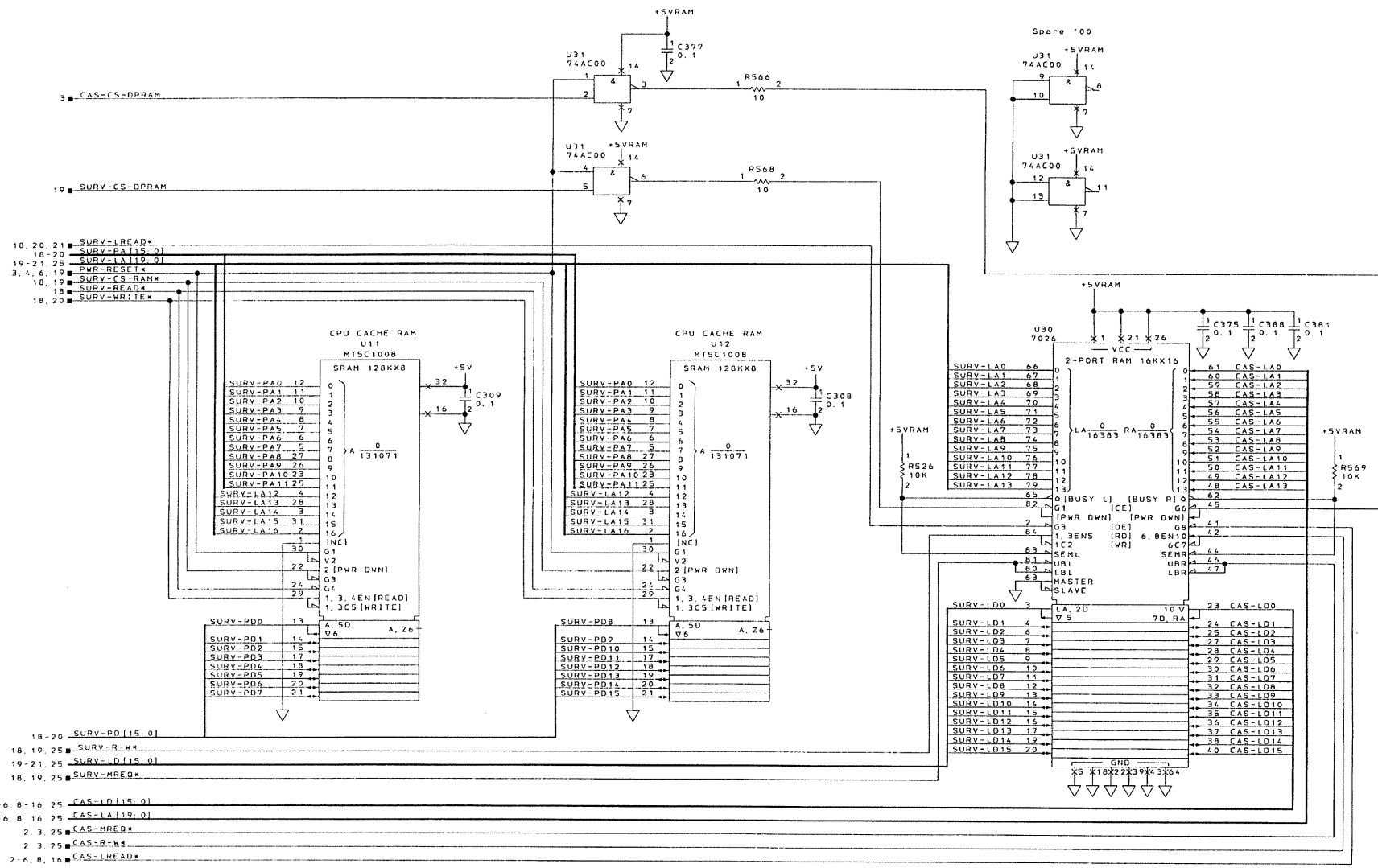


SURV CPU FLASH EPROM MEMORY  
 A2 PROCESSOR CCA  
 SCHEMATIC DIAGRAM SHEET NO. 21

COMPUTER GENERATED

REV 4066017-905 21

SHEET 26



3 CAS-CS-DPRAM

19 SURV-CS-DPRAM

18, 20, 21 SURV-IREAD\*  
 10-20 SURV-PA15 0  
 10-21 25 SURV-LA19 0  
 3, 4, 6, 19 DMR-RESF\*  
 18, 19 SURV-CS-RAM\*  
 18 SURV-READ\*  
 18, 20 SURV-WRITE\*

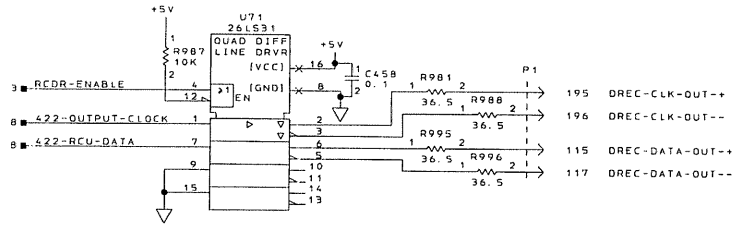
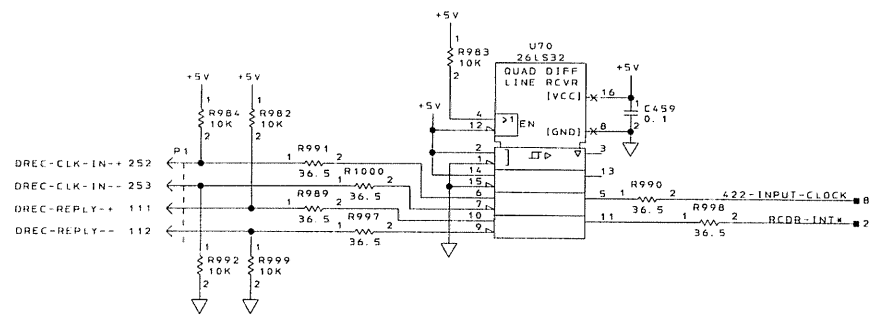
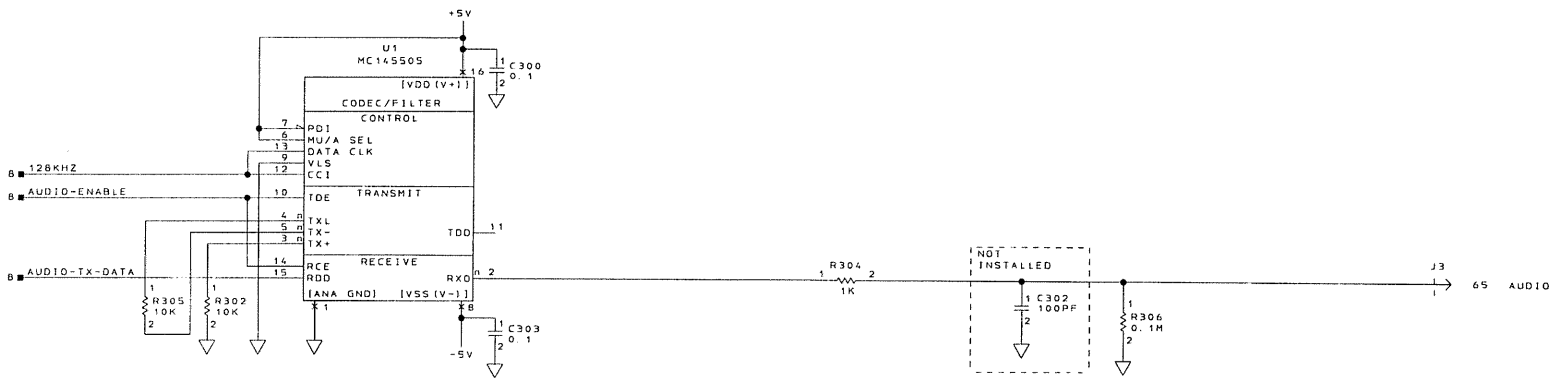
18-20 SURV-PD15 0  
 18, 19, 25 SURV-R-W\*  
 19-21, 25 SURV-LD15 0  
 18, 19, 25 SURV-MREQ\*

3-6, 8-16, 25 CAS-LD15 0  
 3-6, 8, 16, 25 CAS-LA19 0  
 2, 3, 25 CAS-MREQ\*  
 2, 3, 25 CAS-R-W\*  
 2-6, 8, 16 CAS-IREAD\*

SURV CPU RAM MEMORY/DUAL PORT RAM  
 A2 PROCESSOR CCA  
 SCHEMATIC DIAGRAM SHEET NO. 22

COMPUTER GENERATED

4066017-905 (REV. 5)  
 SHEET 25

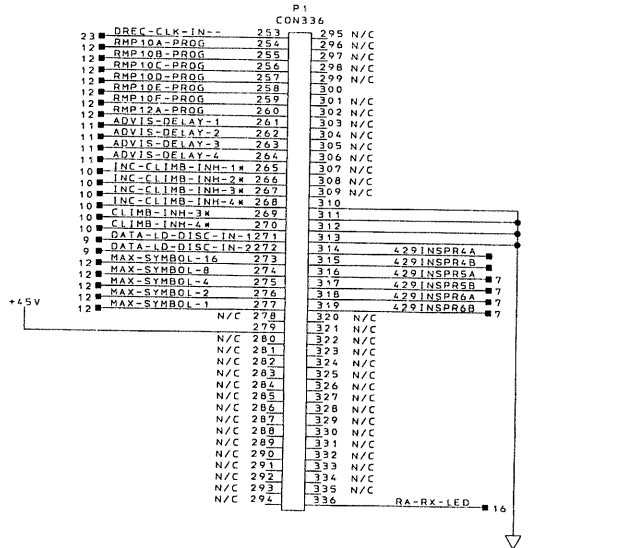
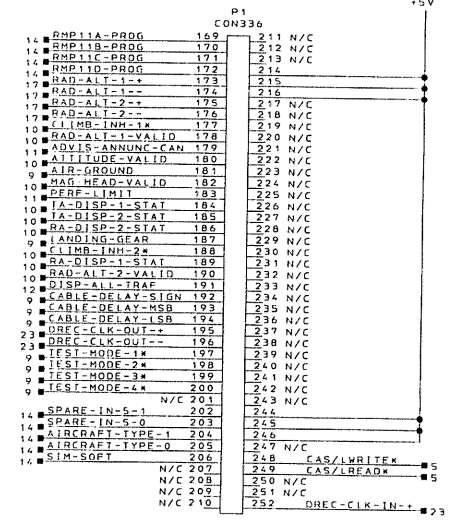
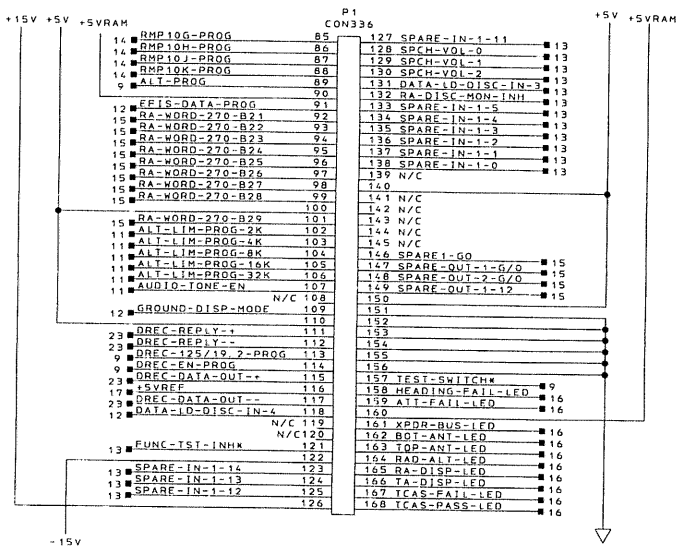
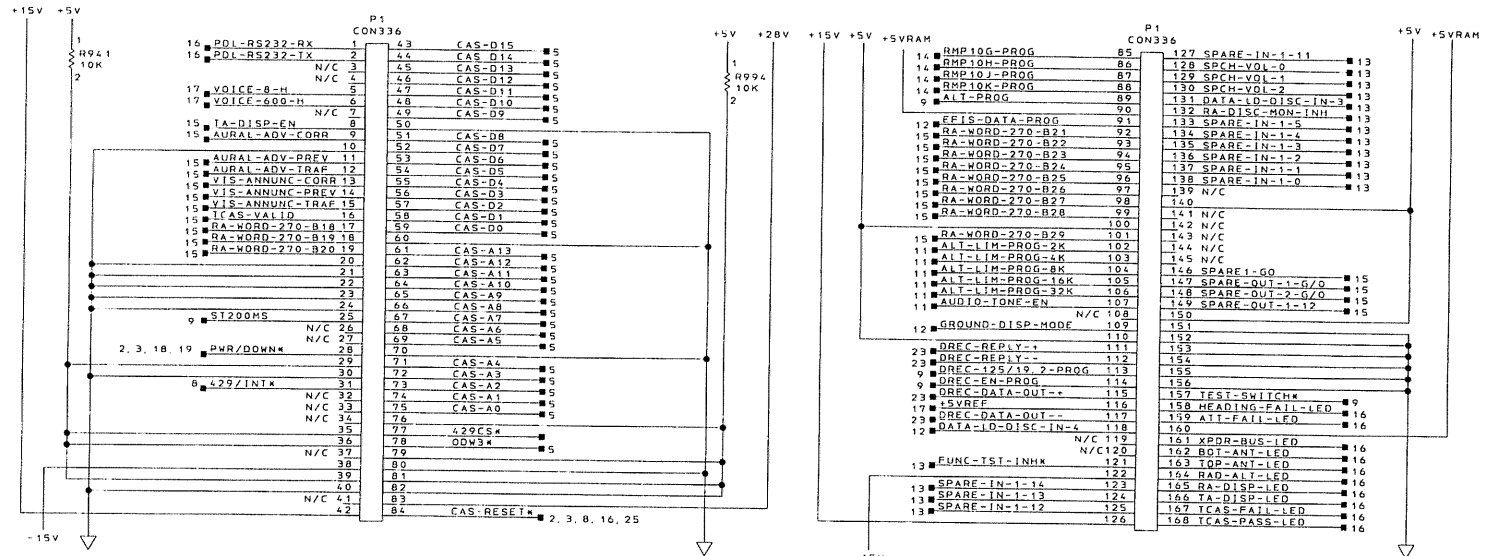


DIGITAL AUDIO DRIVERS  
A2 PROCESSOR CCA  
SCHEMATIC DIAGRAM SHEET NO. 23

COMPUTER GENERATED

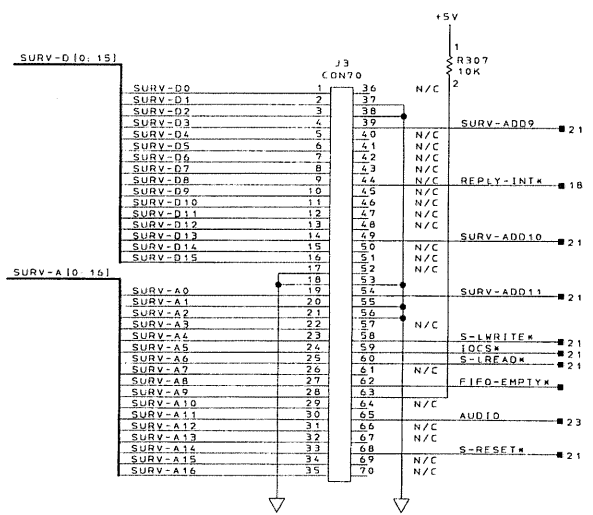
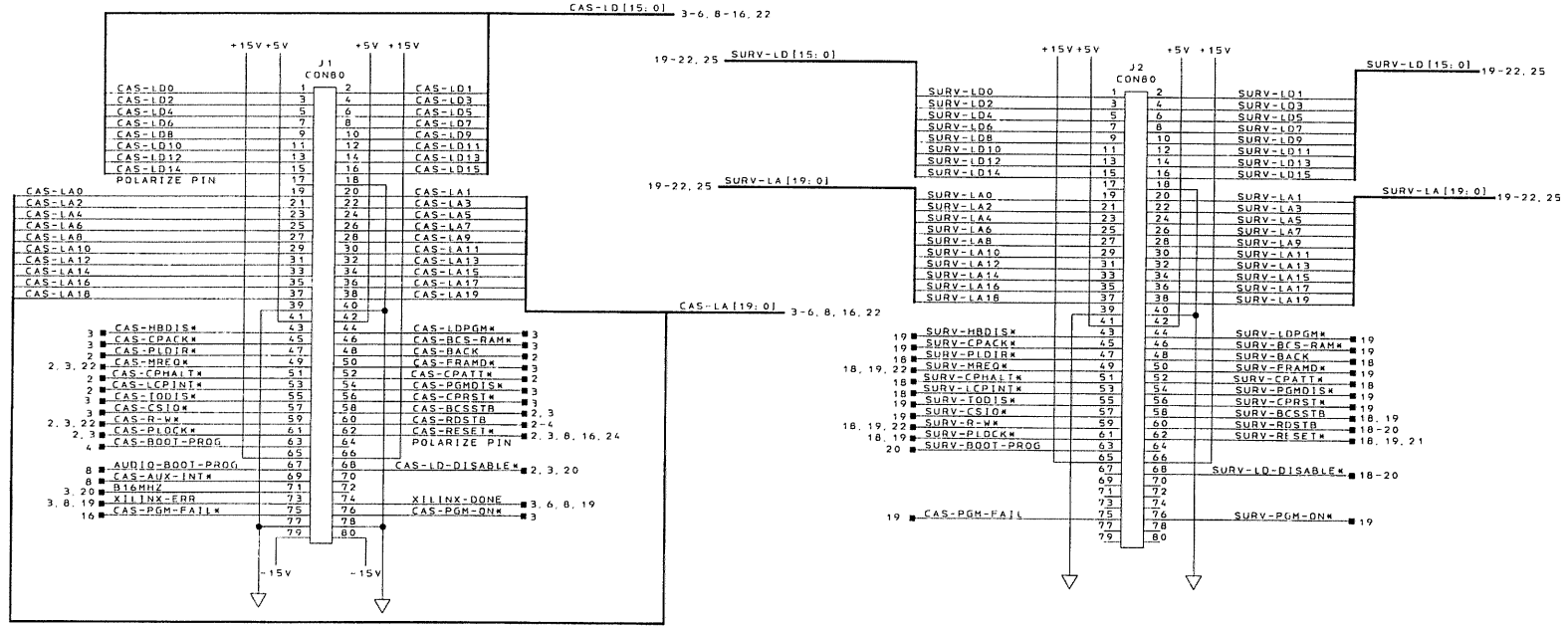
REV 506-110007





PROCESSOR CONNECTOR  
 A2 PROCESSOR CCA  
 SCHEMATIC DIAGRAM SHEET NO. 24

COMPUTER GENERATED



CAS CPU/ SURV CPU/ SPARE CONNECTORS  
A2 PROCESSOR CCA  
SCHEMATIC DIAGRAM SHEET NO. 25

COMPUTER GENERATED

4066017-905 28