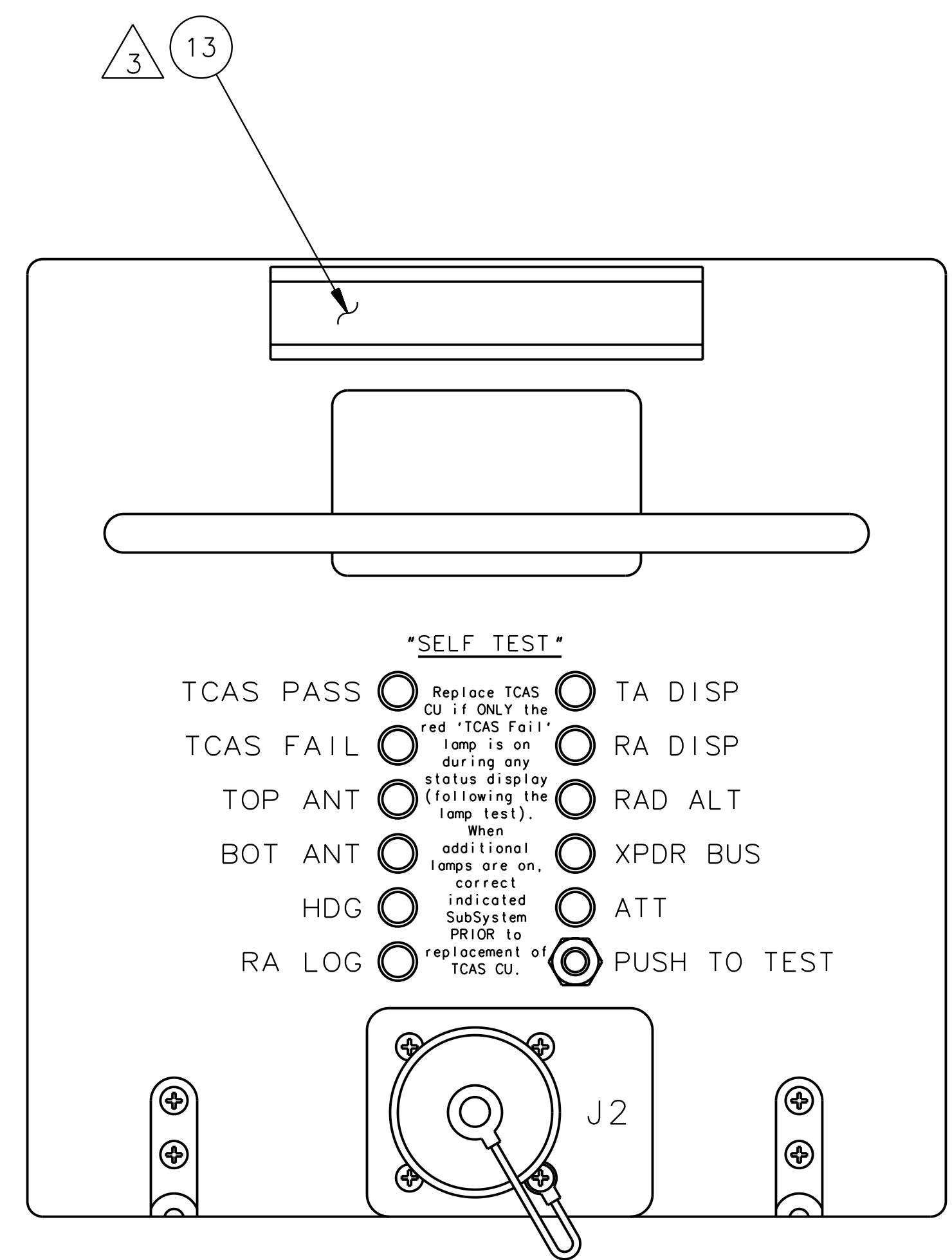
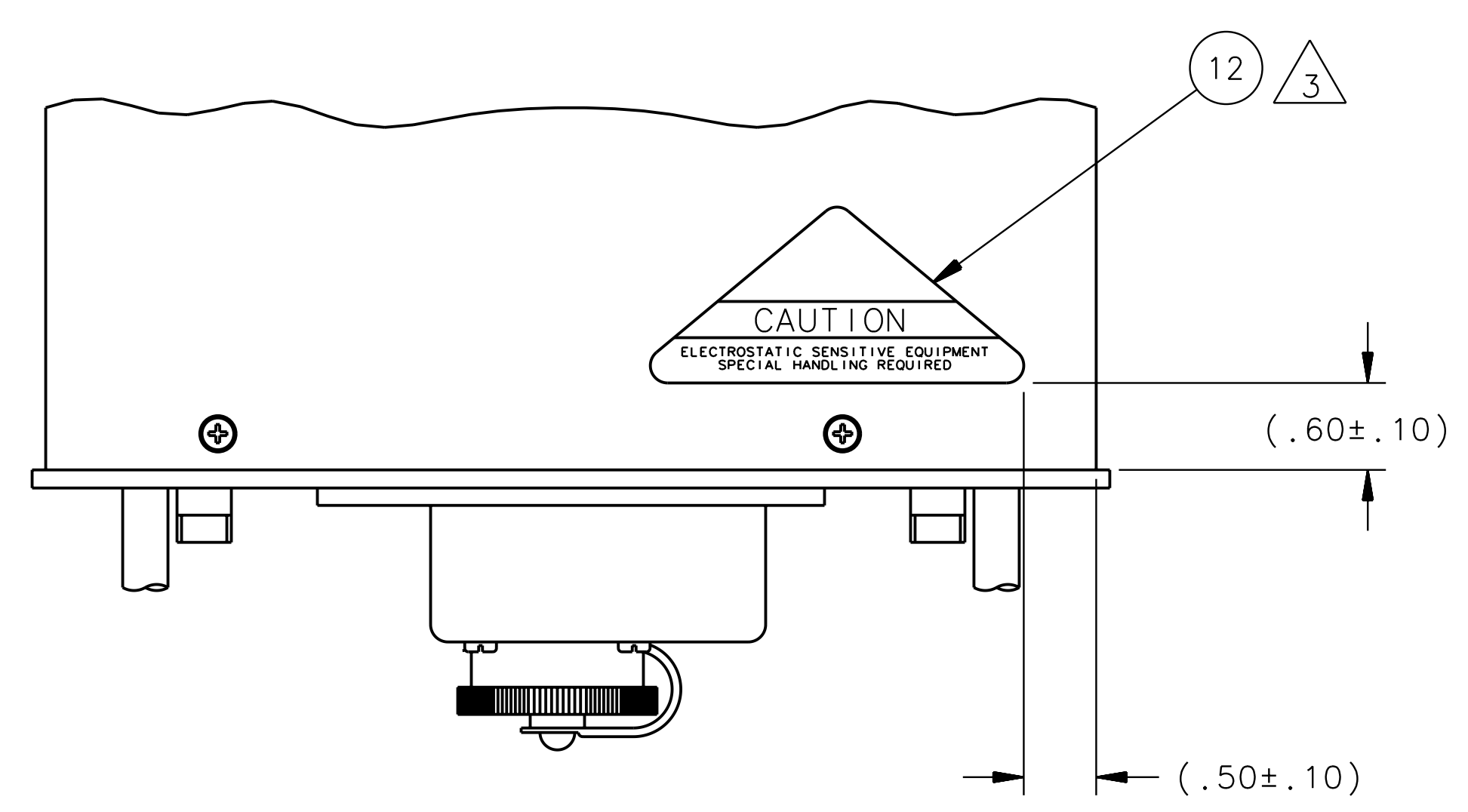
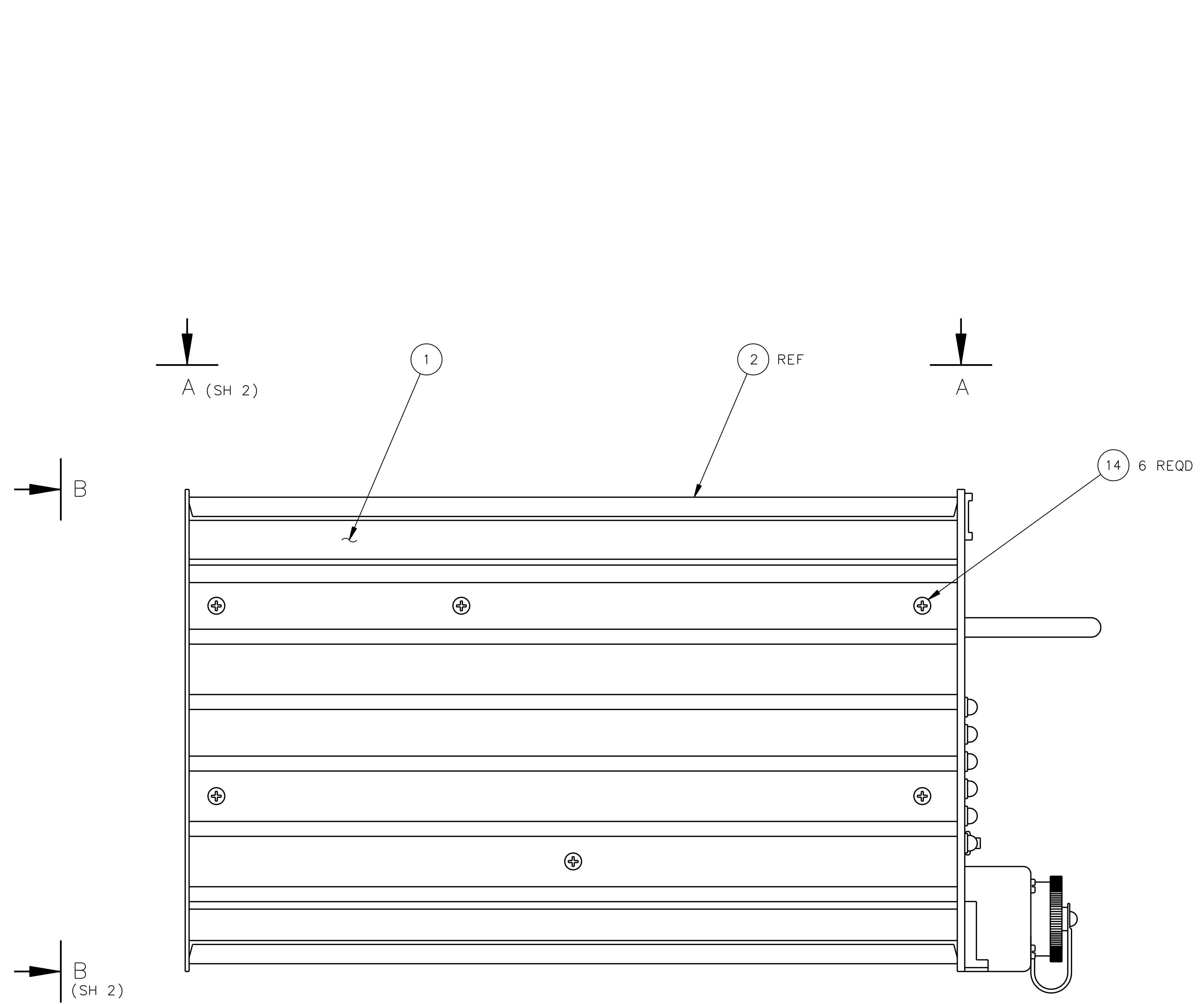


PROPRIETARY NOTICE
 THIS DOCUMENT AND THE INFORMATION DISCLOSED HEREIN ARE PROPRIETARY DATA OF ACSS, LLC. NEITHER THIS DOCUMENT NOR THE INFORMATION CONTAINED HEREIN SHALL BE REPRODUCED, USED, OR DISCLOSED TO OTHERS WITHOUT THE WRITTEN AUTHORIZATION OF ACSS, LLC.

NOTICE
 FREEDOM OF INFORMATION ACT (5 USC 552) AND DISCLOSURE OF CONFIDENTIAL INFORMATION GENERALLY (18 USC 1905)
 THIS DOCUMENT IS BEING FURNISHED IN CONFIDENCE BY ACSS, LLC. THE INFORMATION DISCLOSED HEREIN FALLS WITHIN EXEMPTION (b) (4) OF 5 USC 552 AND THE PROHIBITIONS OF 18 USC 1905.

REVISIONS					
CRNO.	ZONE	REV	DESCRIPTION	DATE	APPROVED
			INITIAL RELEASE	21MAR00	R. BAQUA
		A	NOTES: ADD NOTE 9. SH IDX REV. PL AFFECTED. AFFECTS KITS NOT YET IN BUILD AND ASSEMBLIES IN BUILD, IN STOCK, IN RELATED ASSEMBLIES LISTED ON C.O. AND IN ASSEMBLIES THRU END ITEM LEVEL, INCLUDING SALES STOCK.	26296(M)	OBSEPOO L. KEEFER BEGAY BB
		B	SH IDX REV. PL AFFECTED ONLY. AFFECTS KITS NOT YET IN BUILD AND ASSEMBLIES IN BUILD, IN STOCK, IN RELATED ASSEMBLIES LISTED ON C.O. AND IN ASSEMBLIES THRU END ITEM LEVEL, INCLUDING SALES STOCK.	86276(M)	OBSEPOO L. KEEFER BEGAY BB
		C	NOTES: NOTE 3 WAS APPLY --- AND 18 PER --- SHOWN. ADD NOTE 10. SH IDX REV. PL AFFECTED.	24943(NA)	02JUL01 BURKE AM
006887		D	SEE DESCRIPTION PER CHANGE REQUEST	28OCT03	



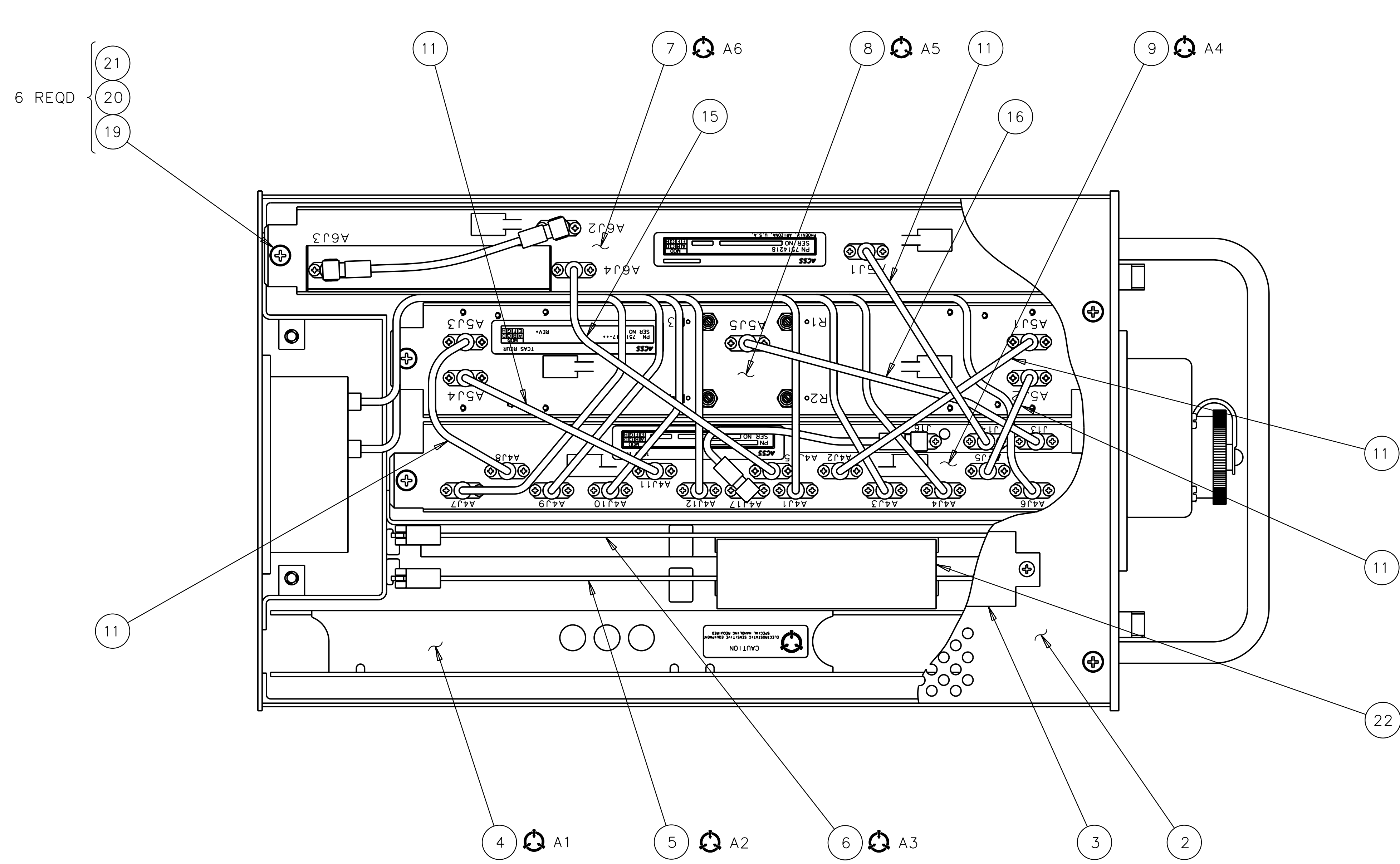
- NOTES:
- INSTALL PER ITEM 701. LOCATE APPROXIMATELY AS SHOWN. TYPE APPLICABLE DASH NUMBER AND SERIAL NUMBER ON ITEM 18.
 - APPLY ITEM 703 SPARINGLY TO SCREW THREADS OF ITEM 2 (4 PLACES).
 - APPLY ITEMS 12 AND 13 PER ITEM 701. LOCATE APPROXIMATELY AS SHOWN.
 - TERMINATE COAXIAL CABLES PER ITEM 704. MATCH CABLE MARKINGS TO MODULE TERMINATION MARKINGS.
 - COAXIAL CABLE ROUTING SHOWN FOR REFERENCE ONLY.
 - FOR INITIAL ASSEMBLY ONLY: ALIGN INTERCONNECT CCA (A0) BY INSTALLING ITEM 4 (A1) SECURE WITH ITEM 14. INSTALL ITEM 5 (A2) AND ITEM 6 (A3). THEN TIGHTEN INTERCONNECT CCA (A0) MOUNTING HARDWARE.
 - ⊕ DENOTES COMPONENTS SENSITIVE TO ELECTROSTATIC DISCHARGE.
 - SUBSTITUTE ITEM 23 FOR ITEM 15, IF ITEM 15 IS UNAVAILABLE. ITEM 23 CONNECTS A6J4 TO A4J15.
 - SUBSTITUTE ITEM 709, 710 OR 711 FOR ITEM 6, IF ITEM 6 IS UNAVAILABLE.



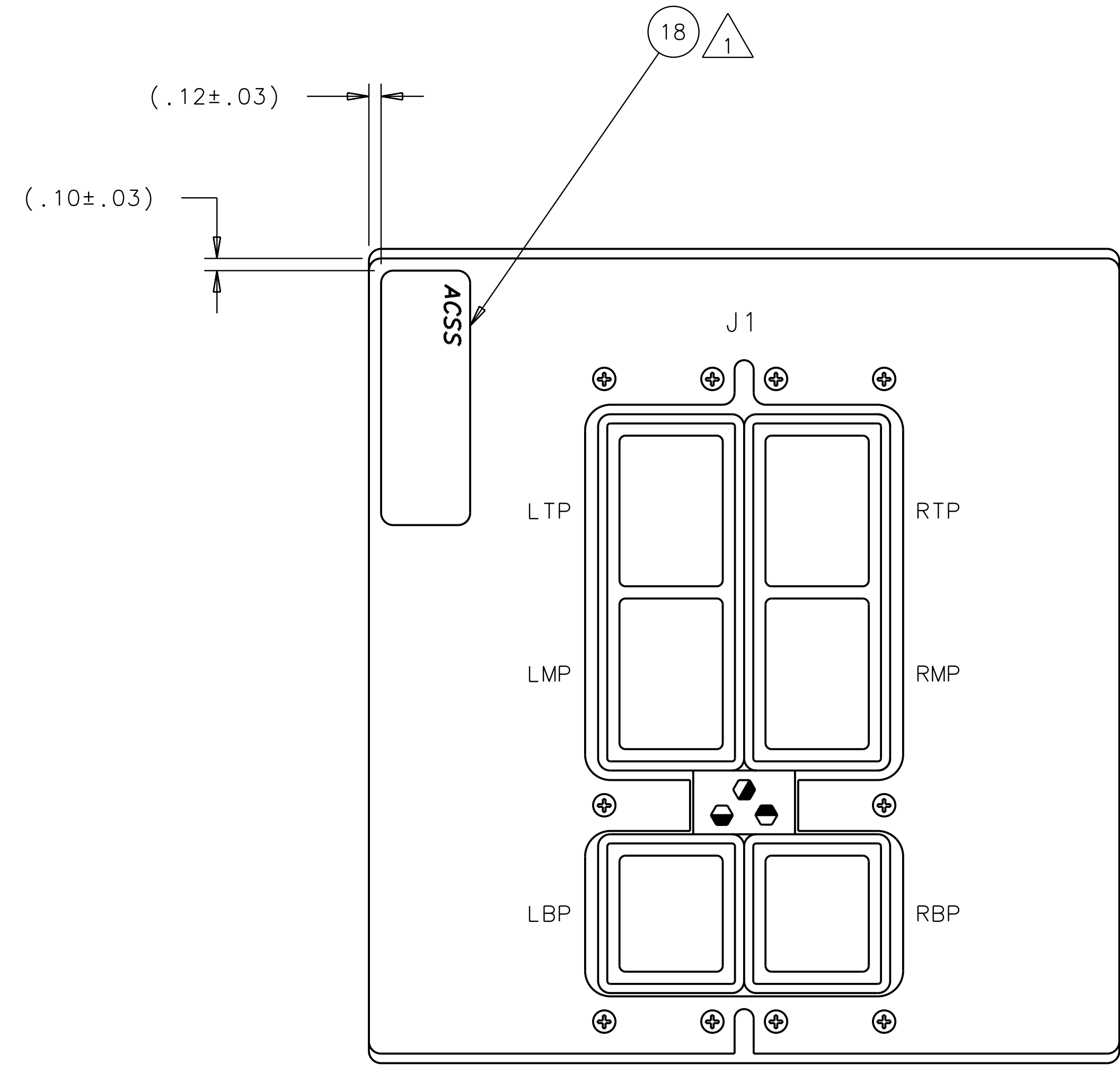
REVISION STATUS OF PARTS LIST SHALL BE THE SAME AS THE BASIC DRAWING NUMBER. SEE SEPARATE PARTS LIST.

<table border="1"> <tr> <td>45</td><td>44</td><td>43</td><td>42</td><td>41</td><td>40</td><td>39</td><td>38</td><td>37</td><td>36</td><td>35</td><td>34</td><td>33</td><td>32</td><td>31</td><td>30</td><td>29</td><td>28</td><td>27</td><td>26</td><td>25</td><td>24</td><td>23</td><td>22</td><td>21</td><td>20</td><td>19</td><td>18</td><td>17</td><td>16</td><td>15</td><td>14</td><td>13</td><td>12</td><td>11</td><td>10</td><td>9</td><td>8</td><td>7</td><td>6</td><td>5</td><td>4</td><td>3</td><td>2</td><td>1</td> </tr> <tr> <td colspan="28">DD REV</td> </tr> <tr> <td colspan="28">CONTRACT TCAS</td> </tr> <tr> <td colspan="10">DRAWN BY A. SUNSHINE</td> <td colspan="10">DATE 27JAN00</td> <td colspan="8">SHEET 1</td> </tr> <tr> <td colspan="10">DESIGNED BY A. SUNSHINE</td> <td colspan="10">DATE 27JAN00</td> <td colspan="8"></td> </tr> <tr> <td colspan="10">CHECKED BY H. HEREDIA</td> <td colspan="10">DATE 13MAR00</td> <td colspan="8"></td> </tr> <tr> <td colspan="10">APVD FOR MFG J. DEBERNARDIS</td> <td colspan="10">DATE 16MAR00</td> <td colspan="8"></td> </tr> <tr> <td colspan="10">APVD FOR GE L. KEEFER</td> <td colspan="10">DATE 19MAR00</td> <td colspan="8"></td> </tr> <tr> <td colspan="10">APVD FOR ENGRG L. KEEFER</td> <td colspan="10">DATE 19MAR00</td> <td colspan="8"></td> </tr> <tr> <td colspan="10">APVD FOR ENGRG L. KEEFER</td> <td colspan="10">DATE 19MAR00</td> <td colspan="8"></td> </tr> <tr> <td colspan="10">FIRST USED ON 4066010-910</td> <td colspan="10">APVD FOR DATE</td> <td colspan="8"></td> </tr> </table>										45	44	43	42	41	40	39	38	37	36	35	34	33	32	31	30	29	28	27	26	25	24	23	22	21	20	19	18	17	16	15	14	13	12	11	10	9	8	7	6	5	4	3	2	1	DD REV																												CONTRACT TCAS																												DRAWN BY A. SUNSHINE										DATE 27JAN00										SHEET 1								DESIGNED BY A. SUNSHINE										DATE 27JAN00																		CHECKED BY H. HEREDIA										DATE 13MAR00																		APVD FOR MFG J. DEBERNARDIS										DATE 16MAR00																		APVD FOR GE L. KEEFER										DATE 19MAR00																		APVD FOR ENGRG L. KEEFER										DATE 19MAR00																		APVD FOR ENGRG L. KEEFER										DATE 19MAR00																		FIRST USED ON 4066010-910										APVD FOR DATE																		<table border="1"> <tr> <td colspan="2">OPERATIONAL NOTE</td> </tr> <tr> <td colspan="2">SIMILAR ASSEMBLY</td> </tr> <tr> <td colspan="2"> </td> </tr> <tr> <td colspan="2"> Avion Communications & Surveillance Systems 1810 North 71st Avenue Phoenix, Arizona 85027-4400 </td> </tr> <tr> <td colspan="2">TITLE</td> </tr> <tr> <td colspan="2">COMPUTER-UNPROGRAMMED (TCAS)</td> </tr> <tr> <td>SIZE</td> <td>CAGE CODE</td> </tr> <tr> <td>E 11WYD3</td> <td>4066033-910</td> </tr> <tr> <td>DRAWING NO.</td> <td>REV</td> </tr> <tr> <td>4066033-910</td> <td>D</td> </tr> <tr> <td>SCALE 1/1</td> <td>UNIT WT</td> </tr> <tr> <td>SHEET 1</td> <td>OF 2</td> </tr> </table>										OPERATIONAL NOTE		SIMILAR ASSEMBLY				Avion Communications & Surveillance Systems 1810 North 71st Avenue Phoenix, Arizona 85027-4400		TITLE		COMPUTER-UNPROGRAMMED (TCAS)		SIZE	CAGE CODE	E 11WYD3	4066033-910	DRAWING NO.	REV	4066033-910	D	SCALE 1/1	UNIT WT	SHEET 1	OF 2
45	44	43	42	41	40	39	38	37	36	35	34	33	32	31	30	29	28	27	26	25	24	23	22	21	20	19	18	17	16	15	14	13	12	11	10	9	8	7	6	5	4	3	2	1																																																																																																																																																																																																																																																																																																																																				
DD REV																																																																																																																																																																																																																																																																																																																																																																																
CONTRACT TCAS																																																																																																																																																																																																																																																																																																																																																																																
DRAWN BY A. SUNSHINE										DATE 27JAN00										SHEET 1																																																																																																																																																																																																																																																																																																																																																												
DESIGNED BY A. SUNSHINE										DATE 27JAN00																																																																																																																																																																																																																																																																																																																																																																						
CHECKED BY H. HEREDIA										DATE 13MAR00																																																																																																																																																																																																																																																																																																																																																																						
APVD FOR MFG J. DEBERNARDIS										DATE 16MAR00																																																																																																																																																																																																																																																																																																																																																																						
APVD FOR GE L. KEEFER										DATE 19MAR00																																																																																																																																																																																																																																																																																																																																																																						
APVD FOR ENGRG L. KEEFER										DATE 19MAR00																																																																																																																																																																																																																																																																																																																																																																						
APVD FOR ENGRG L. KEEFER										DATE 19MAR00																																																																																																																																																																																																																																																																																																																																																																						
FIRST USED ON 4066010-910										APVD FOR DATE																																																																																																																																																																																																																																																																																																																																																																						
OPERATIONAL NOTE																																																																																																																																																																																																																																																																																																																																																																																
SIMILAR ASSEMBLY																																																																																																																																																																																																																																																																																																																																																																																
Avion Communications & Surveillance Systems 1810 North 71st Avenue Phoenix, Arizona 85027-4400																																																																																																																																																																																																																																																																																																																																																																																
TITLE																																																																																																																																																																																																																																																																																																																																																																																
COMPUTER-UNPROGRAMMED (TCAS)																																																																																																																																																																																																																																																																																																																																																																																
SIZE	CAGE CODE																																																																																																																																																																																																																																																																																																																																																																															
E 11WYD3	4066033-910																																																																																																																																																																																																																																																																																																																																																																															
DRAWING NO.	REV																																																																																																																																																																																																																																																																																																																																																																															
4066033-910	D																																																																																																																																																																																																																																																																																																																																																																															
SCALE 1/1	UNIT WT																																																																																																																																																																																																																																																																																																																																																																															
SHEET 1	OF 2																																																																																																																																																																																																																																																																																																																																																																															
<table border="1"> <tr> <td colspan="2">FOR ACSS REFERENCE</td> <td colspan="2">INTERPRET DIMENSIONS AND TOLERANCES PER ASME Y14.M-1994</td> <td colspan="2">UNLESS OTHERWISE SPECIFIED, DIMENSIONS ARE IN INCHES: TOLERANCES: ANGLES ± --- 2 PL DEC ± --- 3 PL DEC ± ---</td> </tr> <tr> <td>MFG REF NO.</td> <td>A22505</td> <td>MATL-PROCESS-FINISH</td> <td>MILITARY DESIGNATION</td> <td>MATERIAL</td> <td>ITEM CODE (PER 8699384)</td> </tr> <tr> <td>DPA NO.</td> <td>3841</td> <td>MATL</td> <td></td> <td></td> <td></td> </tr> <tr> <td>PRODUCT LINE NO.</td> <td>4054959</td> <td>PROCESS</td> <td></td> <td></td> <td></td> </tr> <tr> <td>AW/PS ANALYSIS EB</td> <td>4054959</td> <td>FINISH</td> <td></td> <td></td> <td></td> </tr> <tr> <td>REF DWG</td> <td>REF SPEC</td> <td></td> <td></td> <td></td> <td></td> </tr> <tr> <td>4066010-910</td> <td>4066010-910</td> <td></td> <td></td> <td></td> <td></td> </tr> <tr> <td>NEXT ASSY</td> <td>USED ON (SYS)</td> <td></td> <td></td> <td></td> <td></td> </tr> <tr> <td></td> <td></td> <td></td> <td></td> <td></td> <td></td> </tr> <tr> <td colspan="6">APPLICATION</td> </tr> </table>										FOR ACSS REFERENCE		INTERPRET DIMENSIONS AND TOLERANCES PER ASME Y14.M-1994		UNLESS OTHERWISE SPECIFIED, DIMENSIONS ARE IN INCHES: TOLERANCES: ANGLES ± --- 2 PL DEC ± --- 3 PL DEC ± ---		MFG REF NO.	A22505	MATL-PROCESS-FINISH	MILITARY DESIGNATION	MATERIAL	ITEM CODE (PER 8699384)	DPA NO.	3841	MATL				PRODUCT LINE NO.	4054959	PROCESS				AW/PS ANALYSIS EB	4054959	FINISH				REF DWG	REF SPEC					4066010-910	4066010-910					NEXT ASSY	USED ON (SYS)											APPLICATION																																																																																																																																																																																																																																																																																																																
FOR ACSS REFERENCE		INTERPRET DIMENSIONS AND TOLERANCES PER ASME Y14.M-1994		UNLESS OTHERWISE SPECIFIED, DIMENSIONS ARE IN INCHES: TOLERANCES: ANGLES ± --- 2 PL DEC ± --- 3 PL DEC ± ---																																																																																																																																																																																																																																																																																																																																																																												
MFG REF NO.	A22505	MATL-PROCESS-FINISH	MILITARY DESIGNATION	MATERIAL	ITEM CODE (PER 8699384)																																																																																																																																																																																																																																																																																																																																																																											
DPA NO.	3841	MATL																																																																																																																																																																																																																																																																																																																																																																														
PRODUCT LINE NO.	4054959	PROCESS																																																																																																																																																																																																																																																																																																																																																																														
AW/PS ANALYSIS EB	4054959	FINISH																																																																																																																																																																																																																																																																																																																																																																														
REF DWG	REF SPEC																																																																																																																																																																																																																																																																																																																																																																															
4066010-910	4066010-910																																																																																																																																																																																																																																																																																																																																																																															
NEXT ASSY	USED ON (SYS)																																																																																																																																																																																																																																																																																																																																																																															
APPLICATION																																																																																																																																																																																																																																																																																																																																																																																

REVISIONS					
CRNO.	ZONE	REV	DESCRIPTION	DATE	APPROVED
006887		D	SEE DESCRIPTION PER CHANGE REQUEST	28OCT03	



VIEW A-A
5



VIEW B-B