

PROPRIETARY NOTICE
THIS DOCUMENT AND THE INFORMATION DISCLOSED HEREIN ARE PROPRIETARY DATA OF HONEYWELL INC. NEITHER THIS DOCUMENT NOR THE INFORMATION CONTAINED HEREIN SHALL BE REPRODUCED, USED, OR DISCLOSED TO OTHERS WITHOUT THE WRITTEN AUTHORIZATION OF HONEYWELL INC.

NOTICE
FREEDOM OF INFORMATION ACT (5 USC 552) AND
DISCLOSURE OF CONFIDENTIAL INFORMATION GENERALLY
(18 USC 1905)
THIS DOCUMENT IS BEING FURNISHED IN CONFIDENCE BY HONEYWELL
INC. THE INFORMATION DISCLOSED HEREIN FALLS WITHIN EXEMPTION
(b) (1) OF 5 USC 552 AND THE PROHIBITIONS OF 18 USC 1905.

REVISIONS				
ZONE	REV	DESCRIPTION	DATE	APPROVED
	-	INITIAL RELEASE	28APR88	E. THIERSEN
A		NOTES: ADD NOTE 4. SH IDX REV. PL AFFECTED. 0975631(A)	13SEP88	P. BOBROWITZ FR
B		NOTES: NOTE 2 W'S APPLY --- ITEM 8. SH IDX REV. PL AFFECTED. 11445916(A4)	21DEC88	P. BOBROWITZ FR
C		NOTES: NOTE 3 HAS TYPE NUMBER PRIOR --- SHOWN. SH IDX REV. PL AFFECTED. 187201(A-A2)	2JUN89	P. BOBROWITZ FR
D		NOTES: NOTE 3 ADDED- MARK OUT --- LETTER. ADDED MOD STATUS TABLE. SH IDX REV. PL NOT AFFECTED. BREAK IN ON SERIAL NO. 283 OF 7514150. 146651(B)	19MAY90	P. BOBROWITZ OB
E		MOD STAT TBL: ADD MOD 8. SH IDX REV. PL NOT AFFECTED. 171961(M) AFFECTS KITS NOT YET IN BUILD AND ASSEMBLIES IN BUILD. IN STOCK. IN RELATED ASSEMBLIES LISTED ON C.O., AND IN ASSEMBLIES THRU END ITEM LEVEL INCLUDING SALES STOCK.	28NOV90	P. BOBROWITZ WALTER BU
F		SH IDX REV. PL AFFECTED. 488181(B) BREAK IN ON SERIAL NO. 583 OF 7514150 OR SOONER.	09SEP91	24 NOV 91 P. BOBROWITZ WALTER BU
G		SH IDX REV. PL AFFECTED ONLY. 829831(A)	10 Oct 94	REGAY 16-6-94 JI

MODIFICATION STATUS TABLE							
PART NUMBER			REFERENCE DOCUMENT	REMARKS	AFFECTED SUBASSEMBLIES		NAMEPLATE SERIAL NUMBER EFFECTIVITY
	902	901			DRAWING	REV	
	A	-	FSB 21-1990-25	REDUCES FORWARD POWER DETECTOR THRESHOLD TO ELIMINATE ERRONEOUS PWR VLD FAILURES	7514113-902 7514115-902	A A	SERNO 283 OR SOONER
	B	-	FSB 21-1990-151	REDUCES SENSITIVITY TO 1030 MHZ C.W. INTERFERENCE	7514101-901	T	SERNO 429 OR SOONER

NOTES:

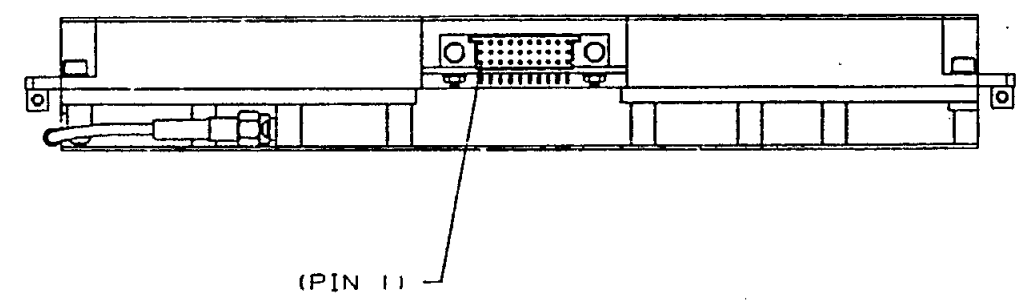
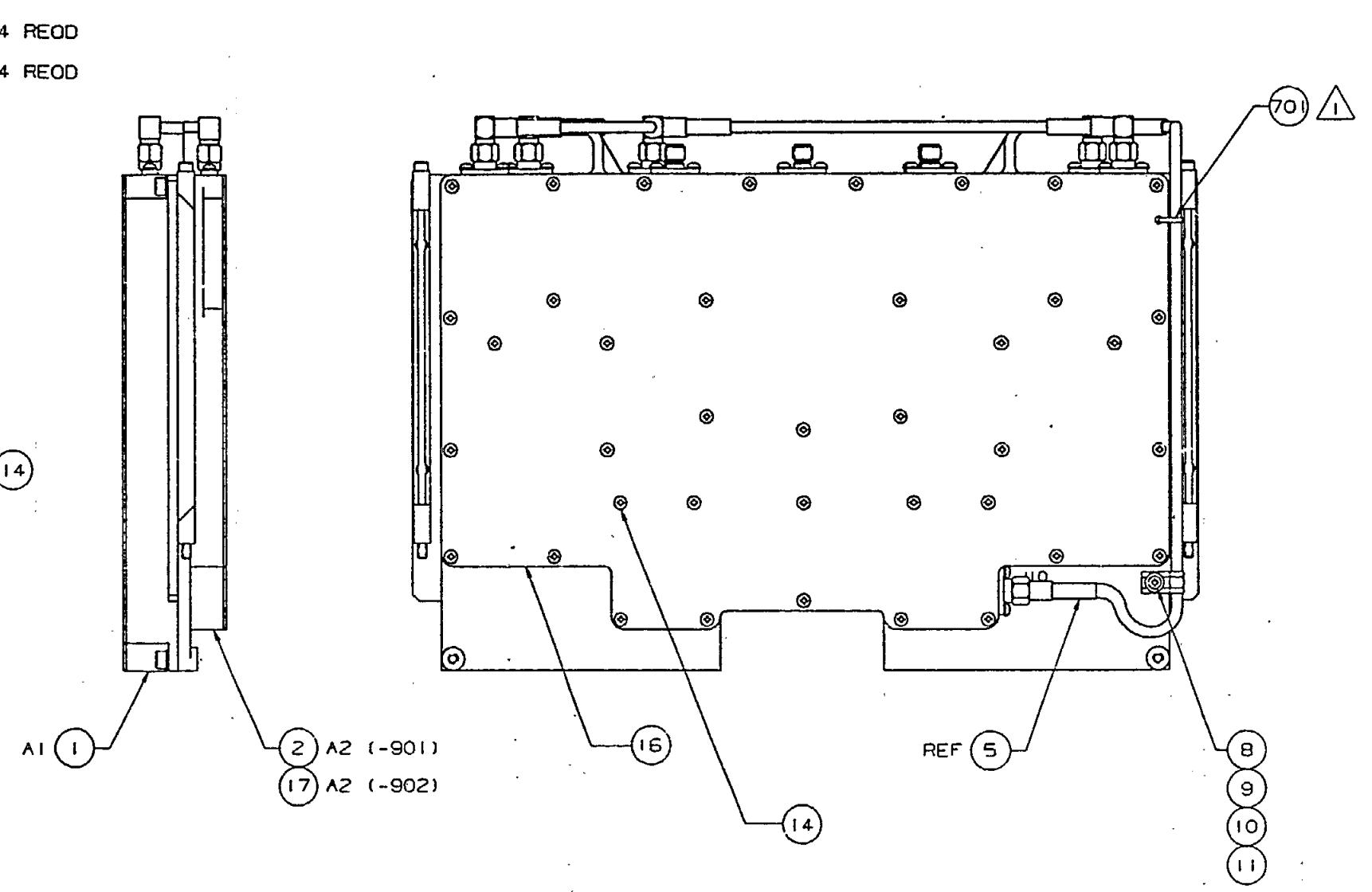
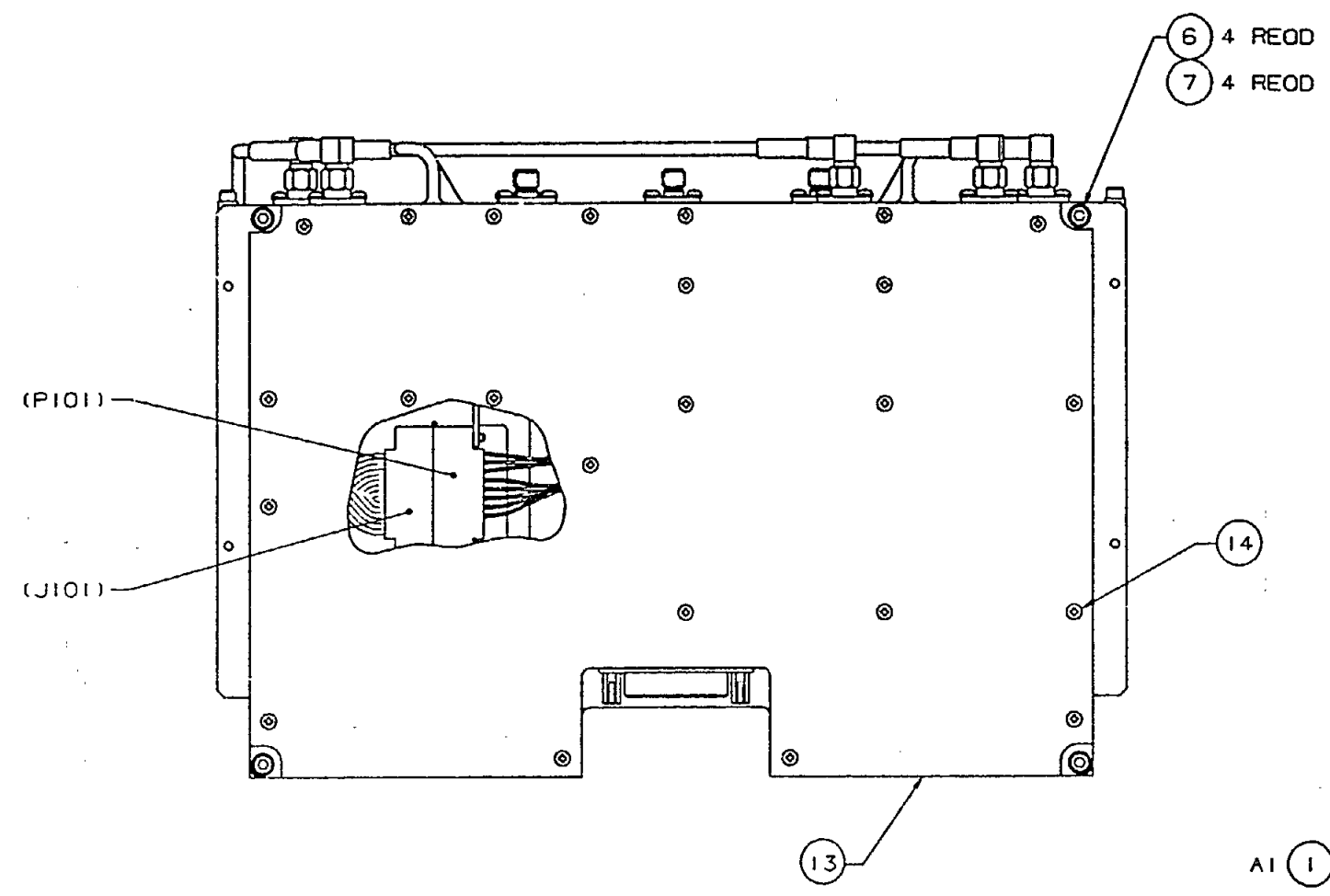
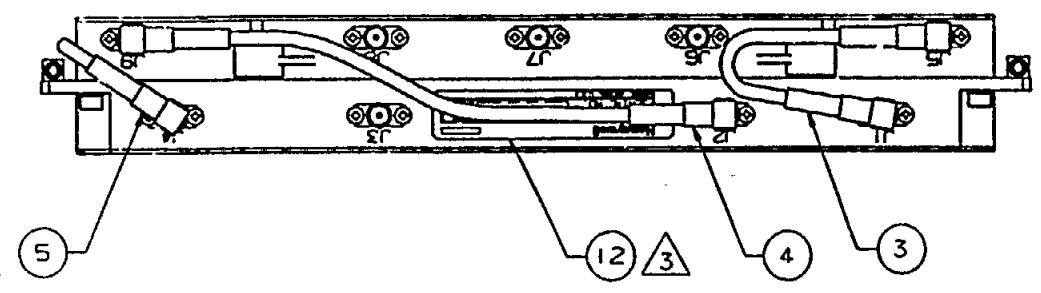
- SPOT TIE USING ITEM 701.
- APPLY ITEM 702 TO THREADS OF ALL NON-LOCKING HARDWARE PER ITEM 706.
- TYPE APPLICABLE SERIAL NUMBER AND DASH NUMBER PRIOR TO INSTALLING PER ITEM 703. LOCATE AS SHOWN. MARK OUT APPROPRIATE MODIFICATION STATUS LETTER.
- TUNE PER IT7514150 (ITEM704)

**REDUCED SIZE
DO NOT SCALE**

REV STATUS OF PARTS LIST SHALL BE SAME AS
BASIC DRAWING NUMBER
SEE SEPARATE PARTS LIST

45 44 43 42 41 40 39 38 37 36 35 34 33 32 31 30 29 28 27 26 25 24 23 22 21 20 19 18 17 16 15 14 13 12 11 10 9 8 7 6 5 4 3 2 1																REV	SHEET INDEX	CONTRACT		OPERATIONAL NOTE																													
FOR HONEYWELL REFERENCE																		DRAWN BY	DATE	DRAWN BY			DATE	DESIGNED BY			DATE																						
MFG REF NO.																		K. FREY	28APR88	G. LARSON			28APR88	G. LARSON			28APR88	Honeywell			COMMERCIAL FLIGHT SYSTEMS GROUP PHOENIX, ARIZONA																		
DPA NO. R-0741																				G. LARSON			28APR88	G. LARSON			28APR88	TITLE			RECEIVER I/O ASSY (A4)																		
PRODUCT LINE NO. 3834																				R. BUSBOOM			28APR88	R. BUSBOOM			28APR88	APVD FOR ENGRG			DATE	P. BOBROWITZ			28APR88	APVD FOR ENGRG			DATE	B. DINSMORE			28APR88	APVD FOR			DATE		
AW/PS ANALYSIS EB 4055000																				MATERIAL			ITEM CODE (PER EB699384)	THIRD ANGLE PROJECTION			DRAWING CLASS			A			FIRST USED ON			4061400			SIZE/CAGE CODE			DRAWING NO			REV				
REF DWG																				PROCESS				DWG CLASS			A			FIRST USED ON			4061400			SCALE 1/1			UNIT BT			SHEET 1 OF 2							
4061400																				FINISH				DWG CLASS			A			FIRST USED ON			4061400			SCALE 1/1			UNIT BT			SHEET 1 OF 2							
NEXT ASSY																				APPLICATION			USED ON (SYS)			APPLICATION			USED ON (SYS)			APPLICATION			USED ON (SYS)			APPLICATION			USED ON (SYS)			APPLICATION			USED ON (SYS)		

NO. 7514150		REVISIONS		DATE	APPROVED
ZONE	REV	DESCRIPTION			
	A	ADD CALLOUTS 13 AND 14.	097569 (NA)	13SEP68	P. BOBRONITZ
	B	ADD CALLOUTS 1 AND 16.	114459 (M-A4)	21DEC68	P. BOBRONITZ
BA	D	ADD B ITEM 17 AND -901, -902 REF. 14665 (B) SEE SH 1		15MAR69	P. BOBRONITZ
B7, B8, B9	F	LETO VIEW: REV AND RELOC B ITEM 12 CALLOUT. RMY DIM .50±.12 AND 1.50±.12. 48818 (B) SEE SH 1.		05SEP79	24AUG01 P. BOBRONITZ



**REDUCED SIZE
DO NOT SCALE**

8840A Oct 6, 1991 10:02 MS: K26E5