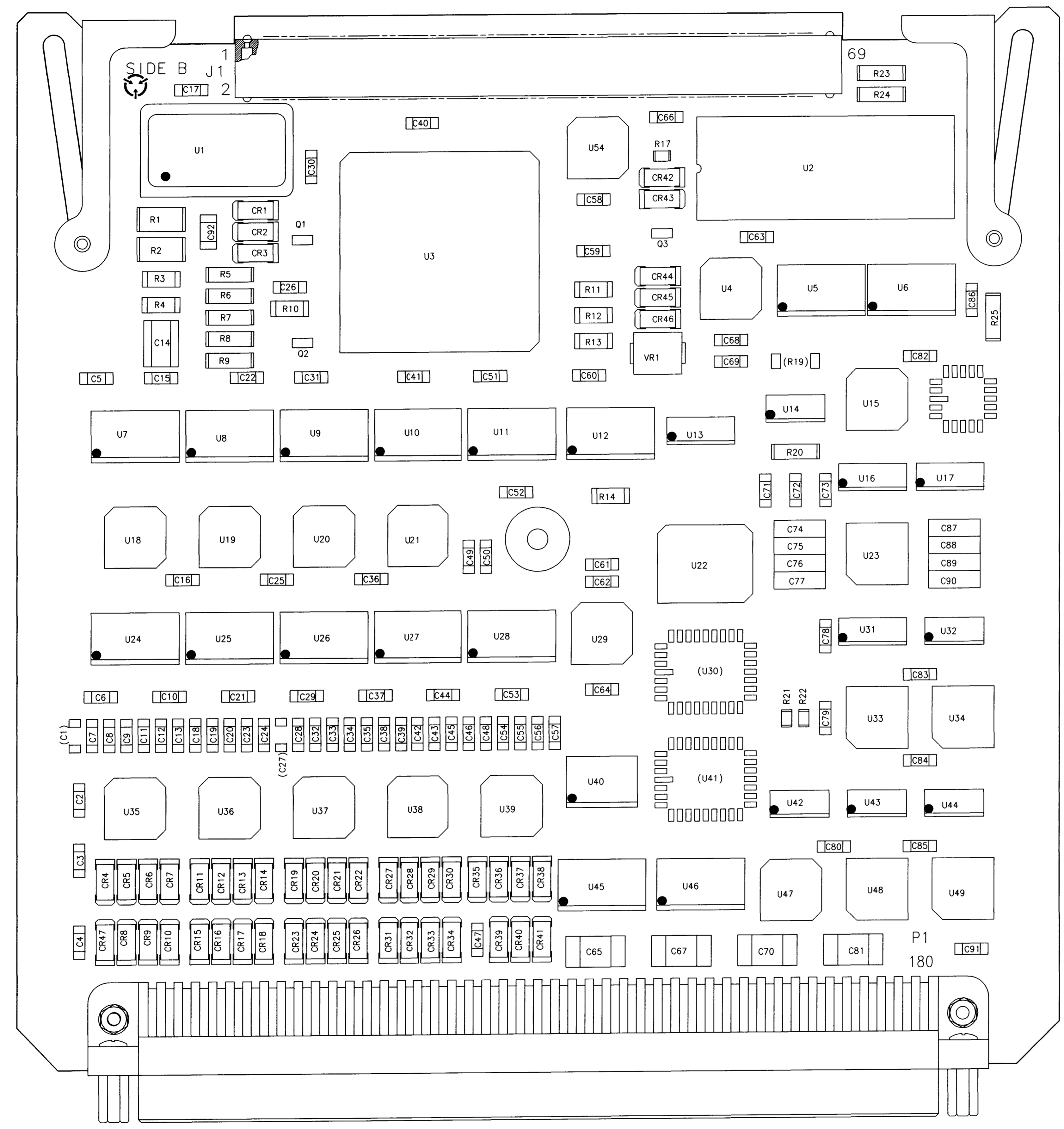


ZONE		REVISIONS	
REV	DESCRIPTION	DATE	APPROVED
1	REDRAWN WITHOUT CHANGE. UPDATED TO CURRENT CAD FORMAT AND DRAWING STANDARDS. SEE MICROFILM FOR REVISIONS.	90-09-06	B.EHLERS
		DC29946	



COMPONENT PLACEMENT DIAGRAM

-ATTENTION-
COMPUTER GENERATED DOCUMENT

8 7 6 5 4 3 2 1

H G F E D C B A

4061442-903

2

8 7 6 5 4 3 2 1

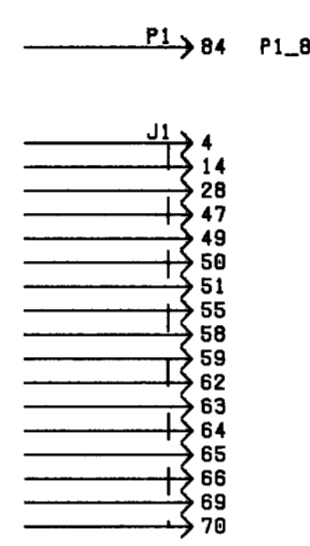
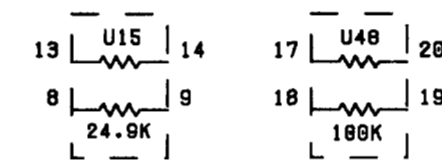
REV		DESCRIPTION		DATE	APPROVED

TABLE 1

REF DES	GND PINS			PWR PINS		
	AGND	DGND		+5VDC	+15VDC	-15VDC
U1		7		14		
U2				1	7	11
U3		6,14		1,22		
U3		23,39		31,43		
U3		45,68		49,63		
U3		64,83				
U4				28		
U6	18			28		
U6	18			28		
U7		18		28		
U8		18		28		
U9		18		28		
U10		18		28		
U11		18		28		
U12		18		28		
U13		8				
U14	7			14		
U16	14			13	3	
U17	5			13	4	
U22		16		32		
U24		18		28		
U25		18		28		
U26		18		28		
U27		18		28		
U28		18		28		
U29				28		
U30		16		32		
U31	5			13	4	
U32				4	11	

TABLE 1

REF DES	GND PINS			PWR PINS		
	AGND	DGND		+5VDC	+15VDC	-15VDC
U48		8		16		
U41		16		32		
U42		7		14		
U43					4	11
U44					4	11
U45		18		28		
U46		18		28		
U47		18		28		
U54		18		28		

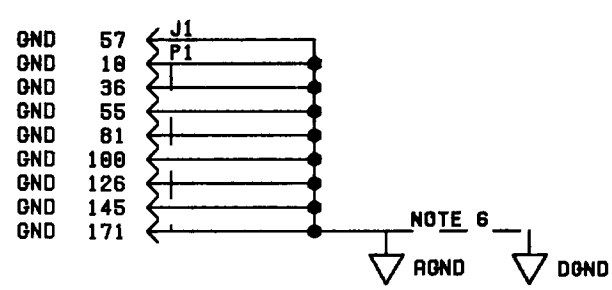
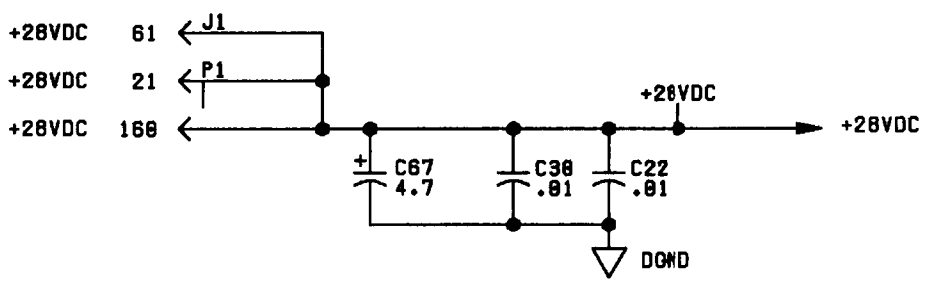
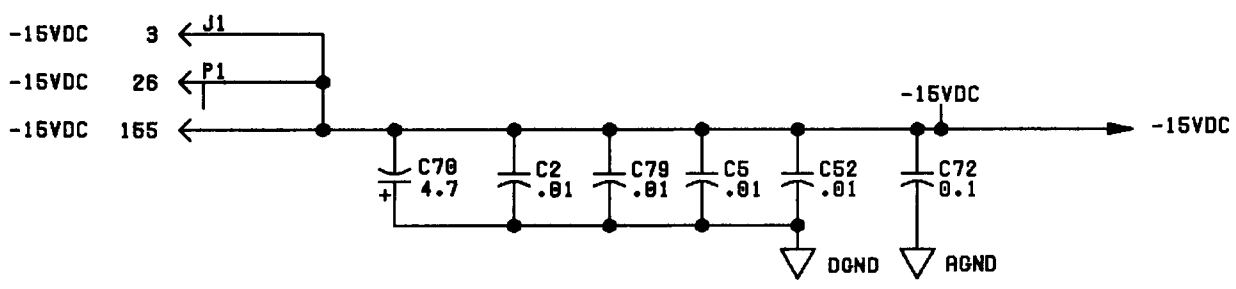
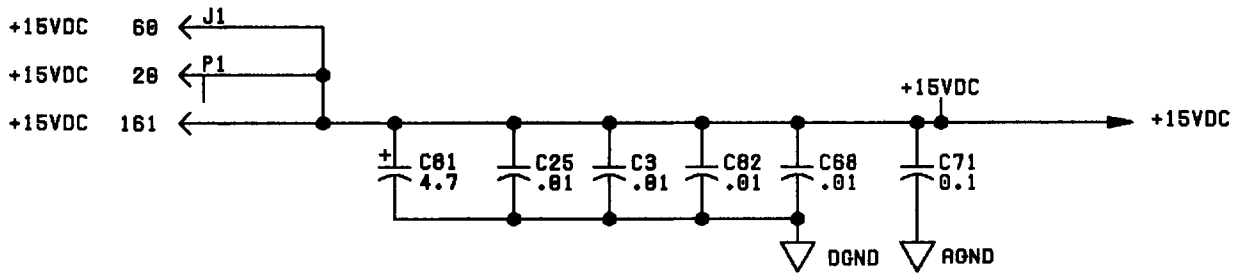
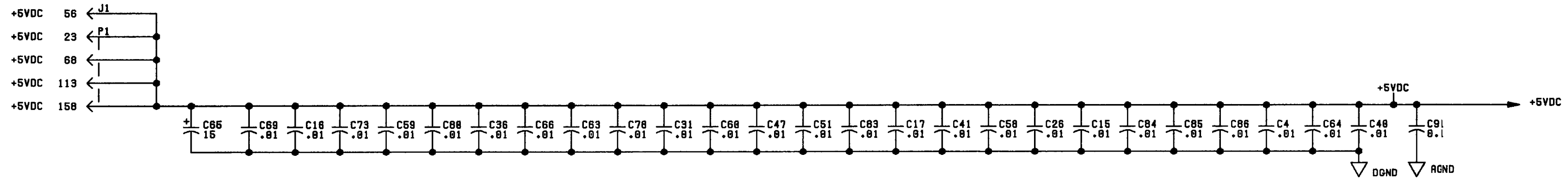


SPARES

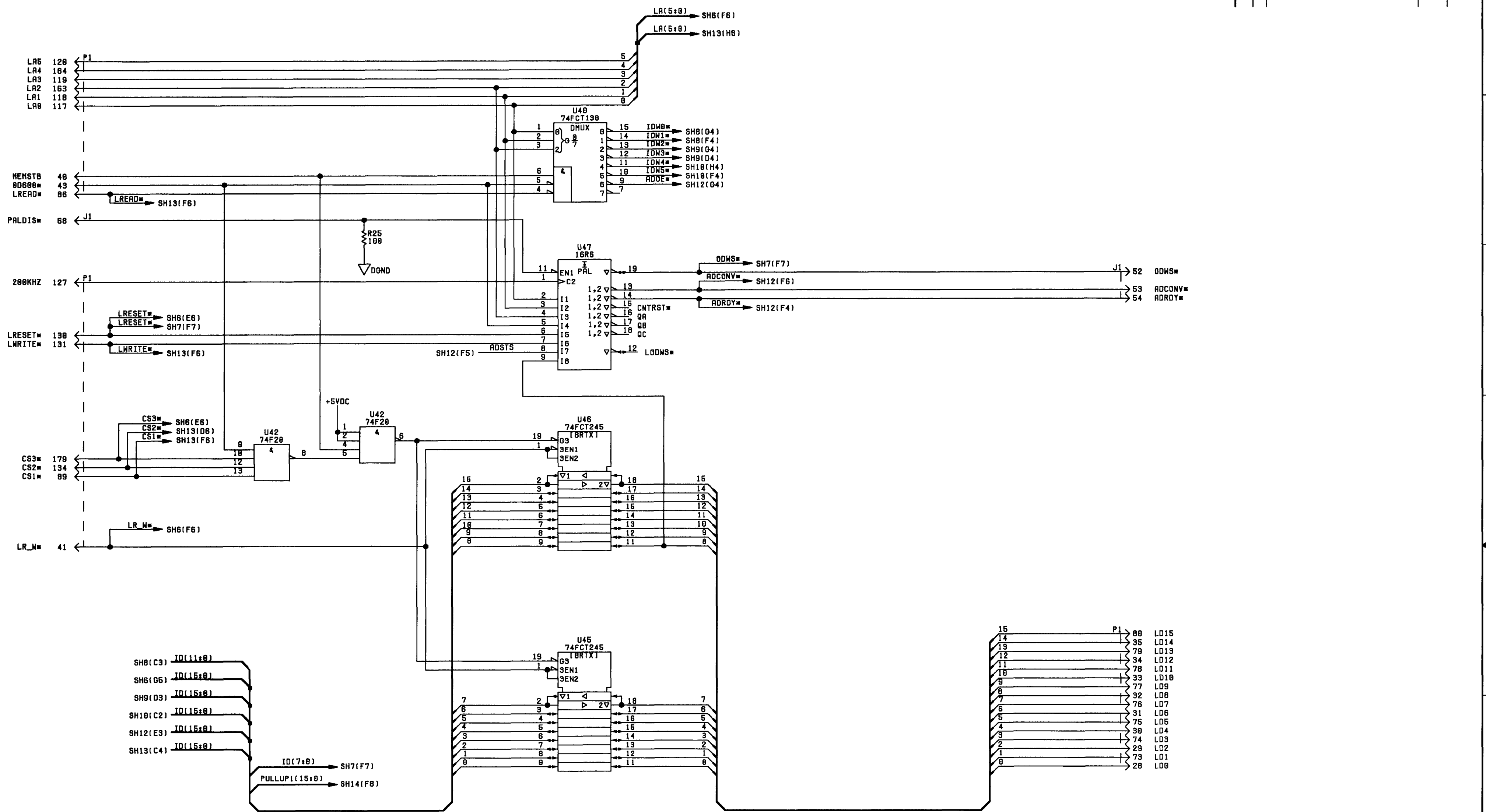
- NOTES :**
1. ALL CAPACITANCE VALUES ARE IN MICROFARADS.
 2. ALL RESISTANCE VALUES ARE IN OHMS.
 3. PARTIAL REFERENCE DESIGNATIONS ARE SHOWN FOR COMPLETE DESIGNATIONS PREFIX PART DESIGNATION WITH SUBASSEMBLY DESIGNATION.
 4. INTERPRET DRAWING PER ANSI Y32.2-1975 AND ANSI/IEEE STD 991-1986. LOGIC SYMBOLS CONFORM TO ANSI/IEEE 91-1984.
 5. FOR POWER AND GROUND PINS NOT SHOWN ON SCHEMATIC SEE TABLE 1.
 6. AGND AND DGND ARE TIED TOGETHER ON PRINTED WIRING BOARD.
 7. PROVISIONAL COMPONENTS ARE FOR REFERENCE ONLY.

4061442-903 3

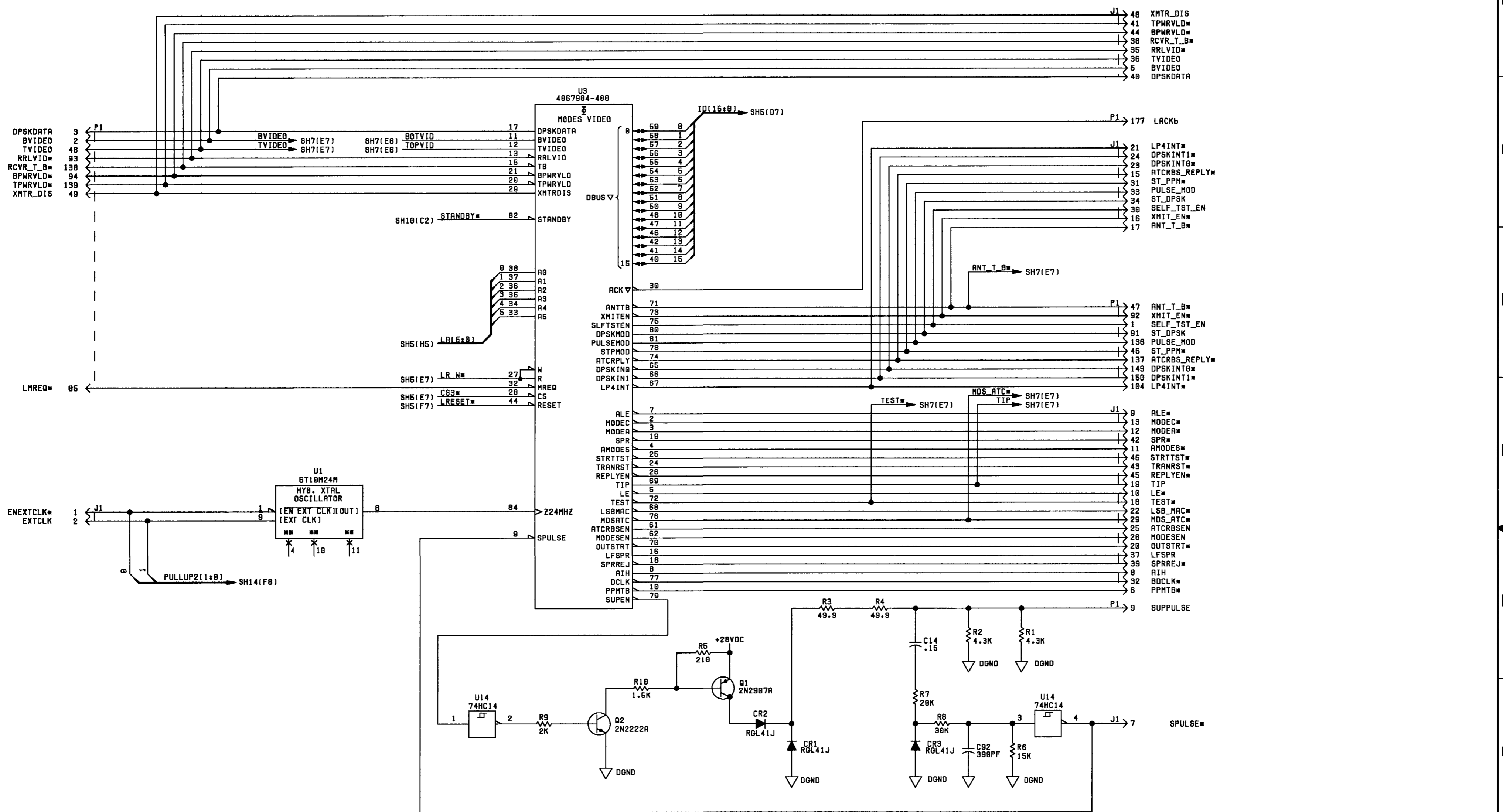
REVISIONS				
ZONE	REV	DESCRIPTION	DATE	APPROVED



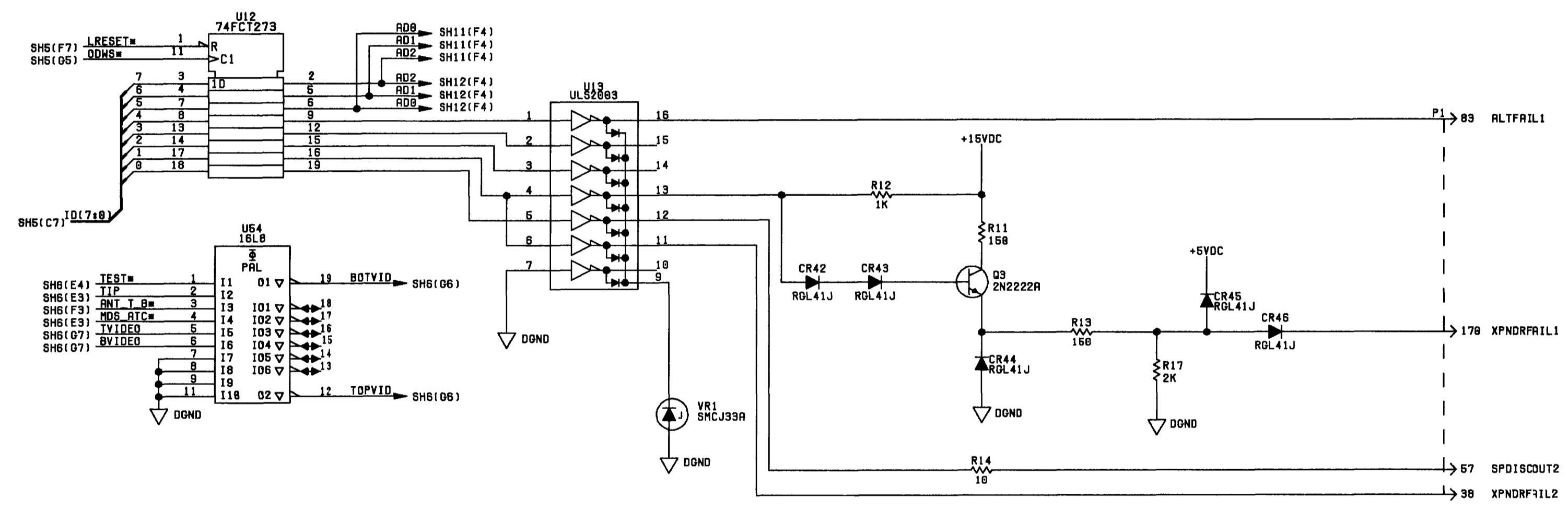
HONEYWELL
 4061442-903
 SHEET 4



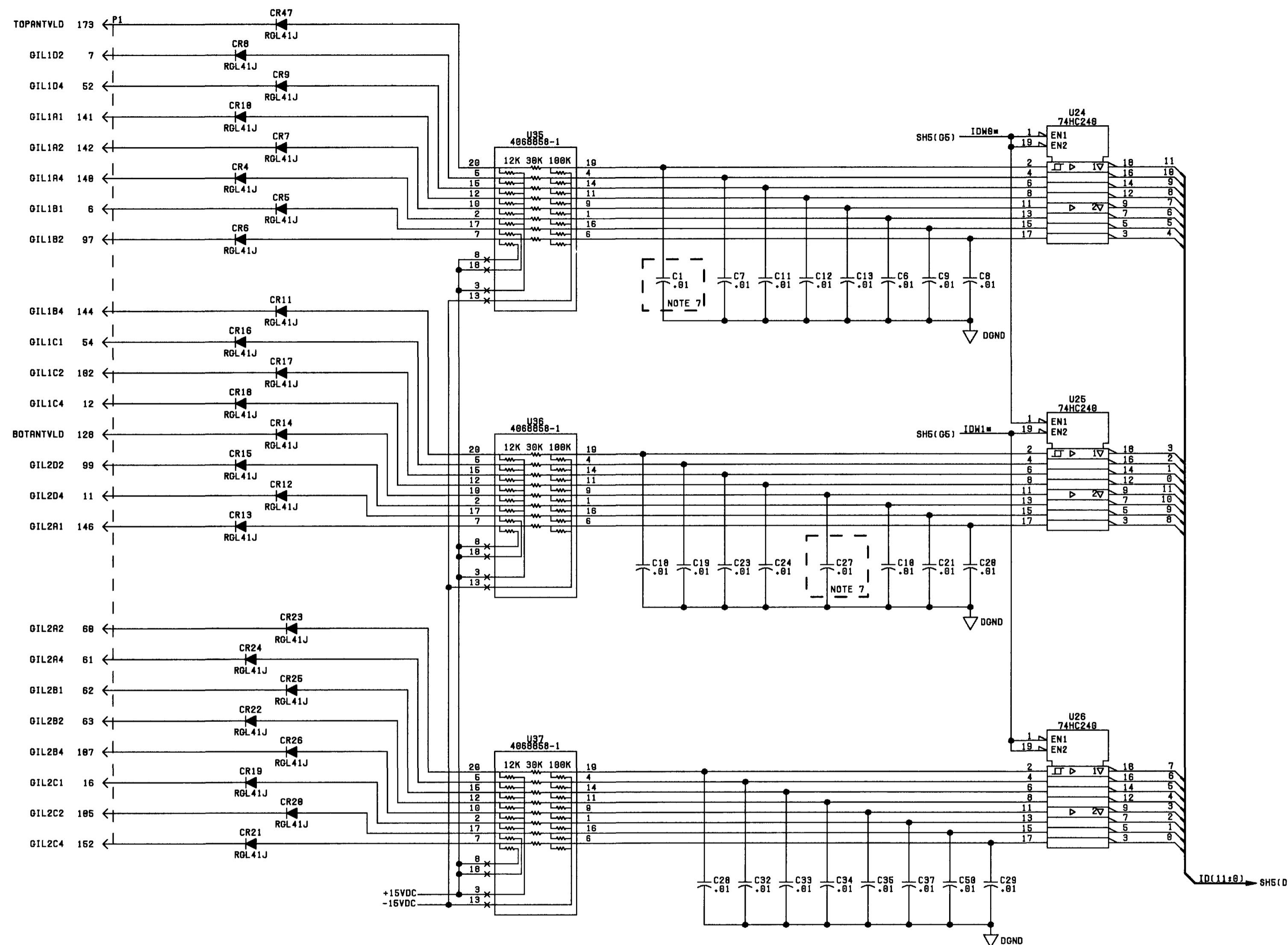
4061442-903 5

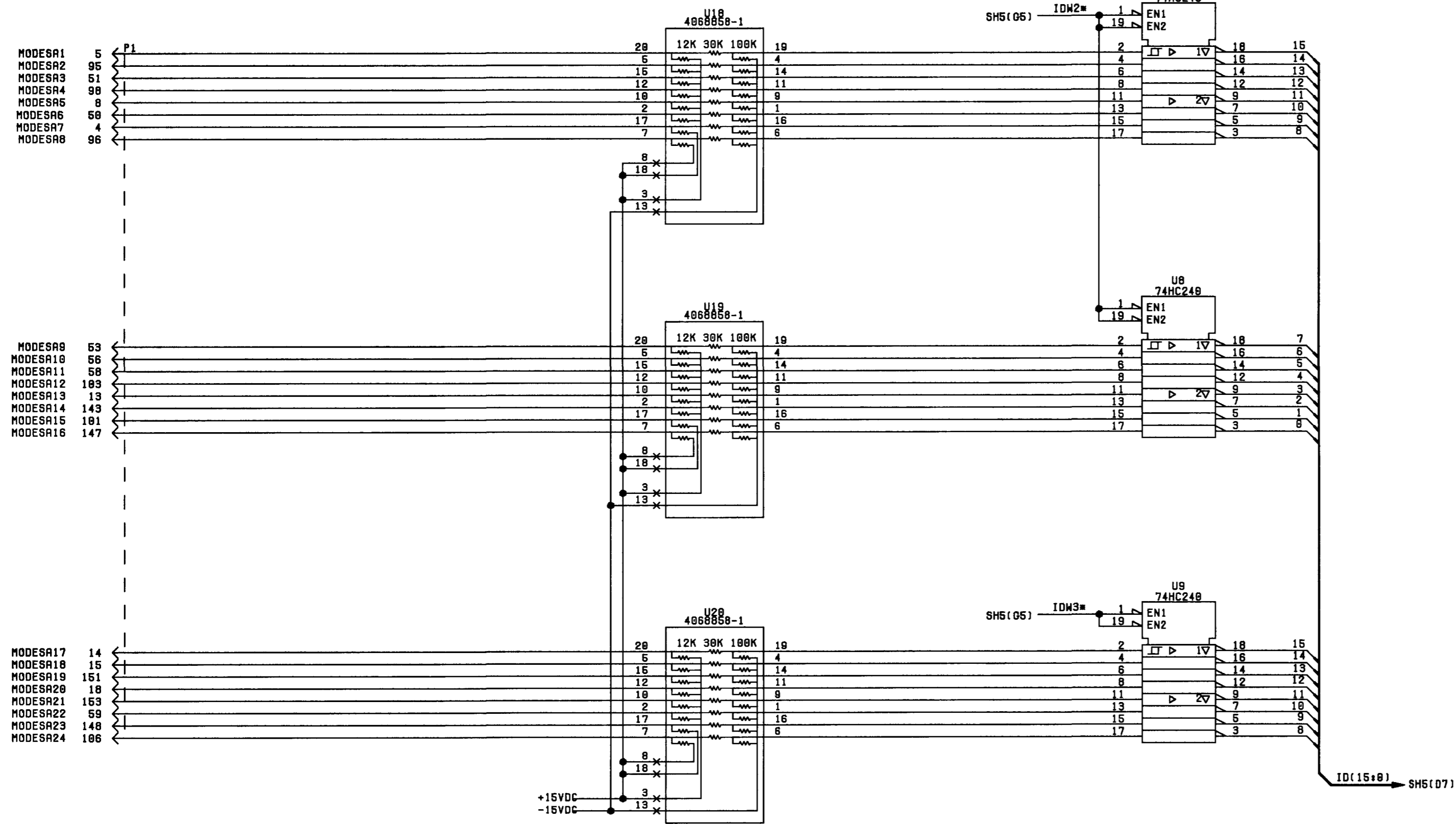


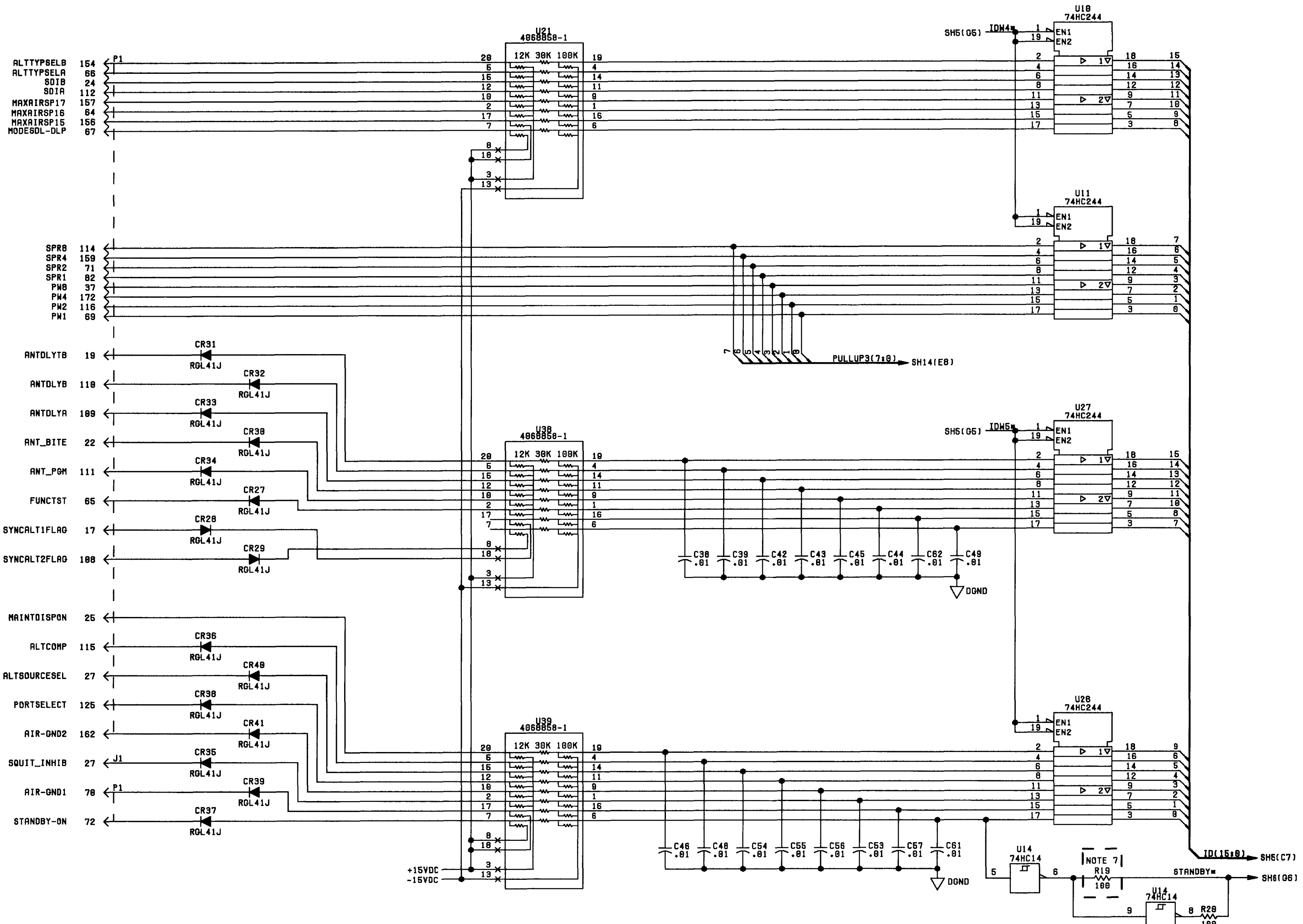
ZONE		REV		REVISIONS		DATE	APPROVED



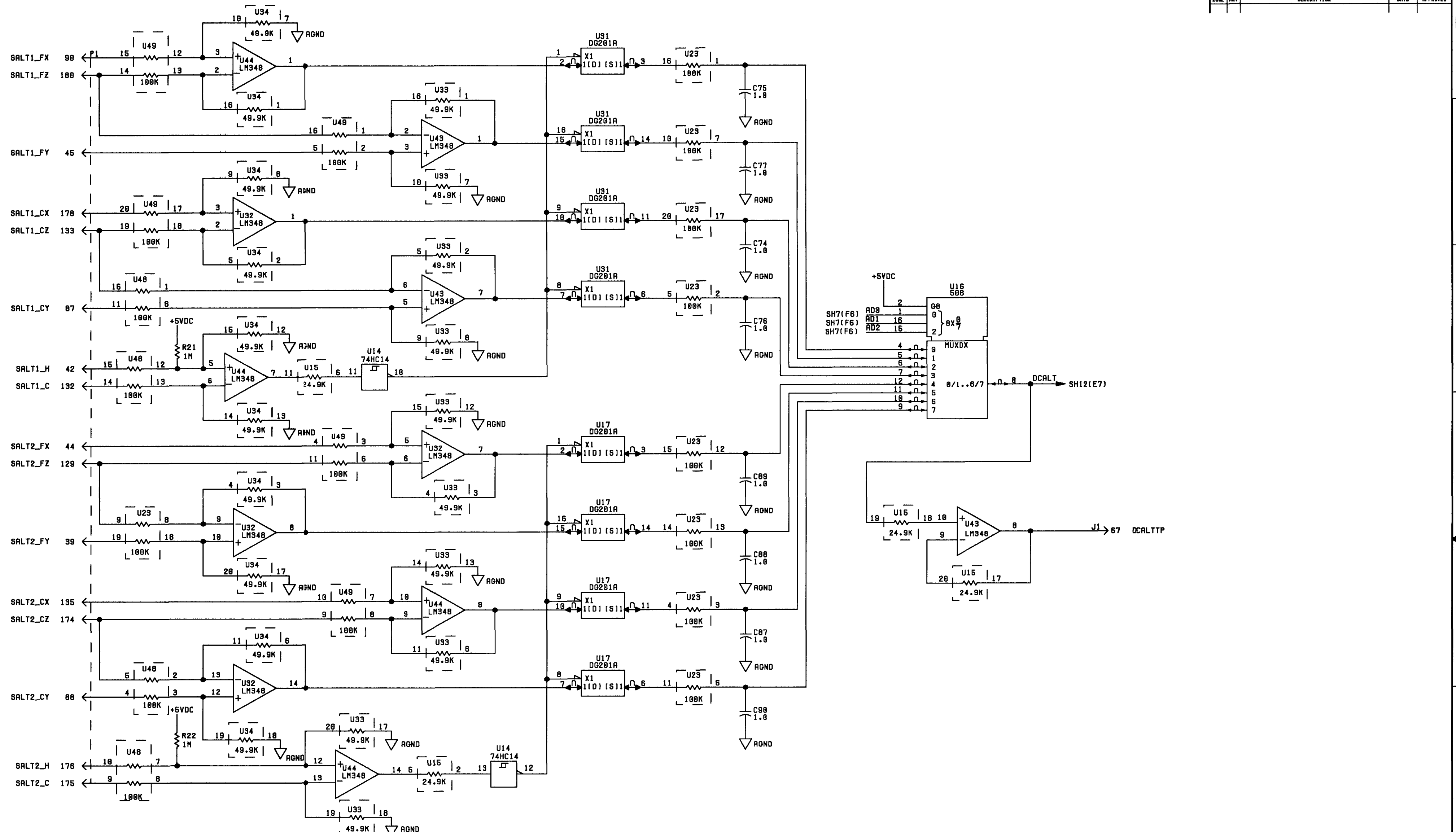
REVISIONS				
ZONE	REV	DESCRIPTION	DATE	APPROVED





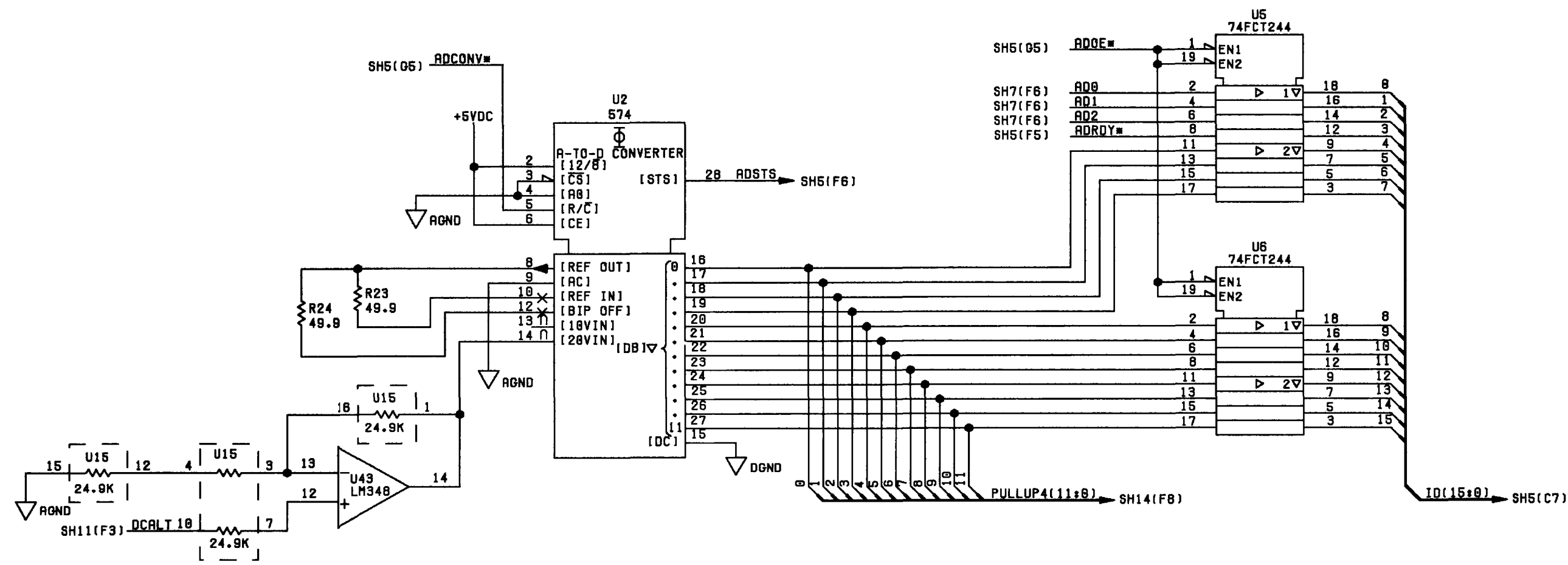


REVISIONS				
ZONE	REV	DESCRIPTION	DATE	APPROVED



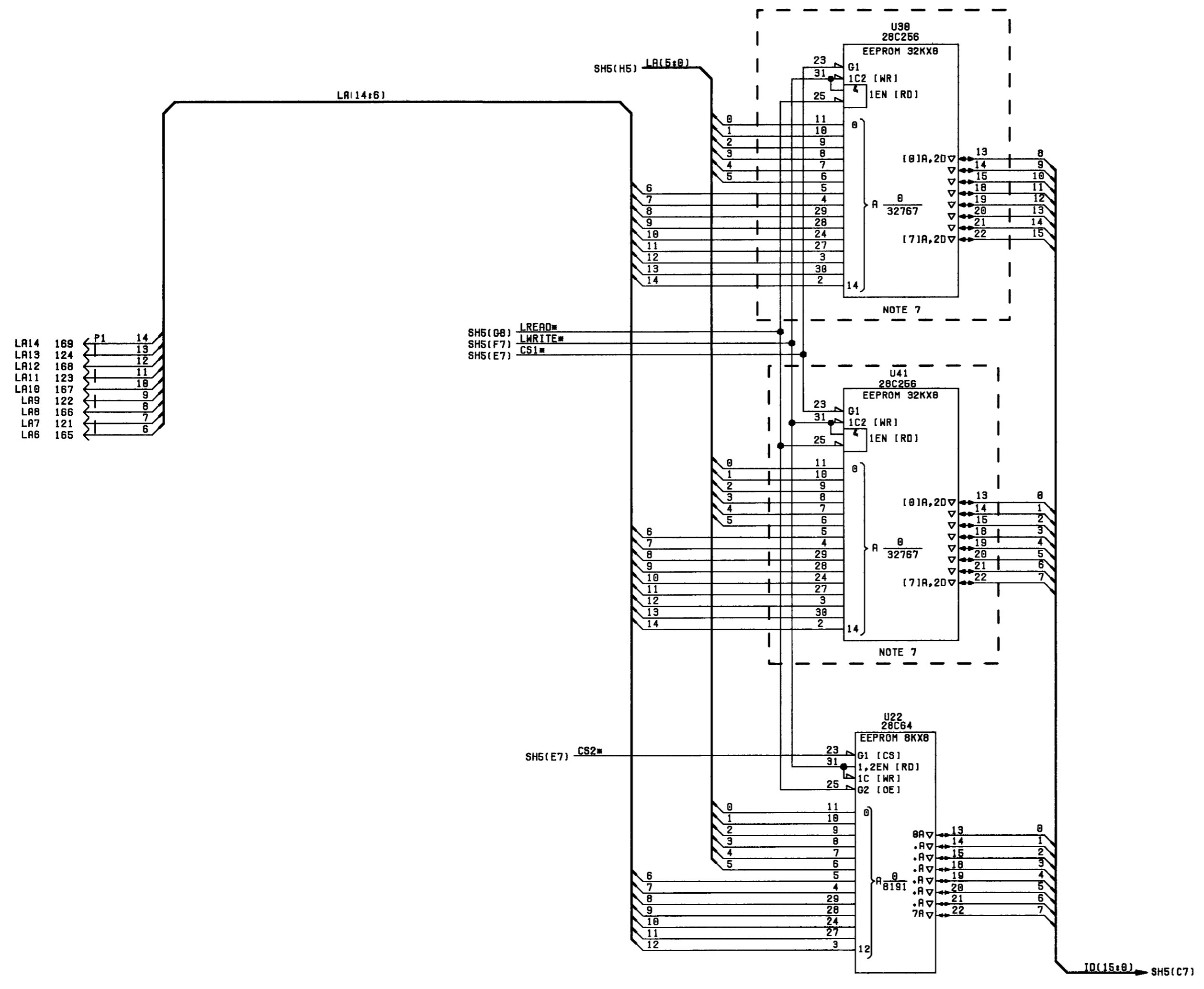
FORM 4061442-903 11

REVISIONS				
ZONE	REV	DESCRIPTION	DATE	APPROVED



4061442-903
 SHEET 12

ZONE		REV		REVISIONS		DATE	APPROVED
1	2	3	4	5	6	7	8



LA14	169	P1	14
LA13	124		13
LA12	168		12
LA11	123		11
LA10	167		10
LA9	122		9
LA8	166		8
LA7	121		7
LA6	165		6

SH5(G8) LREAD#
 SH5(F7) LWRITE#
 SH5(E7) CS1#

SH5(E7) CS2#

IO(15x8) SH5(C7)

4061442-903
 SHEET 13

REVISIONS				
ZONE	REV	DESCRIPTION	DATE	APPROVED

