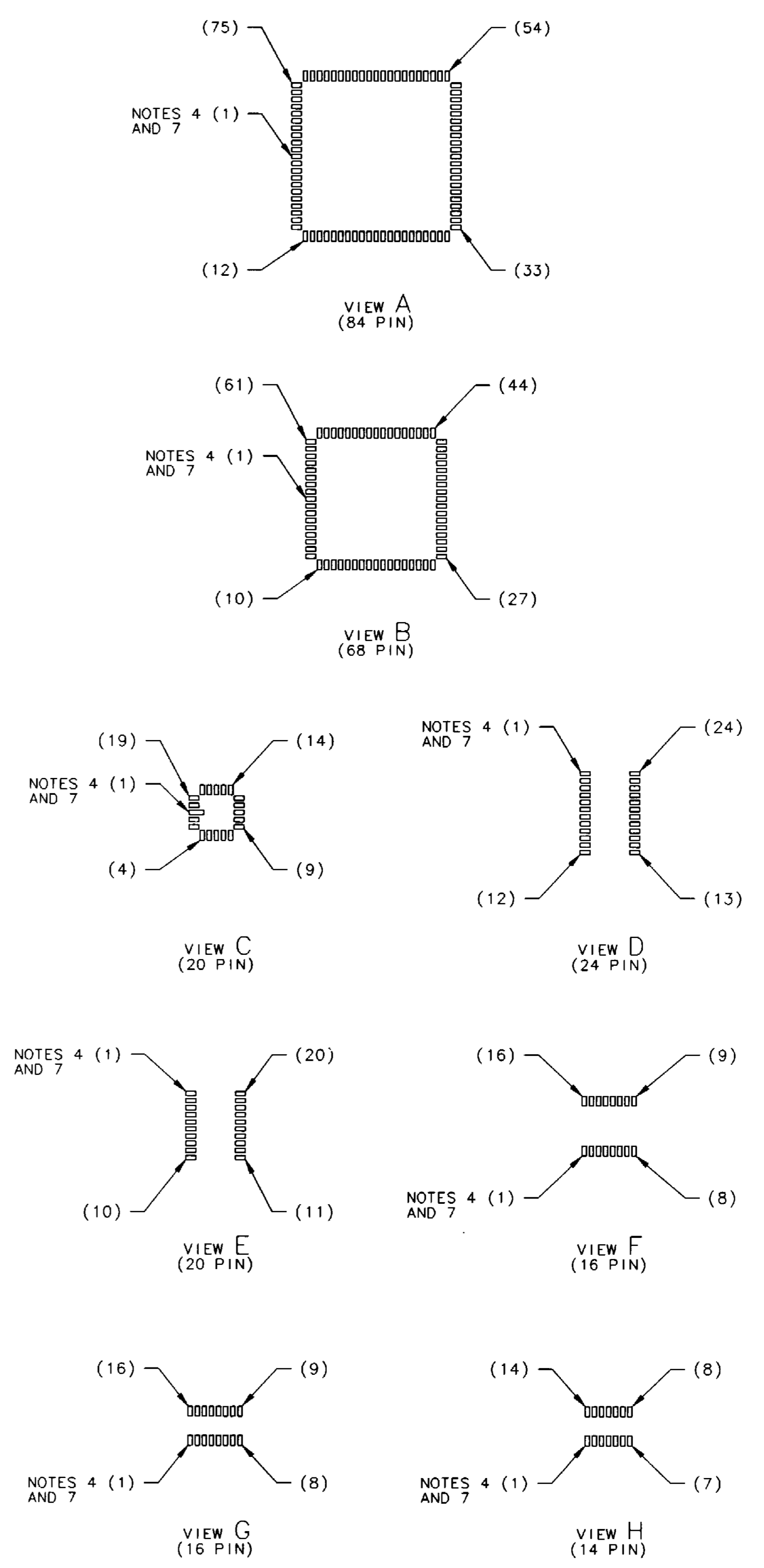
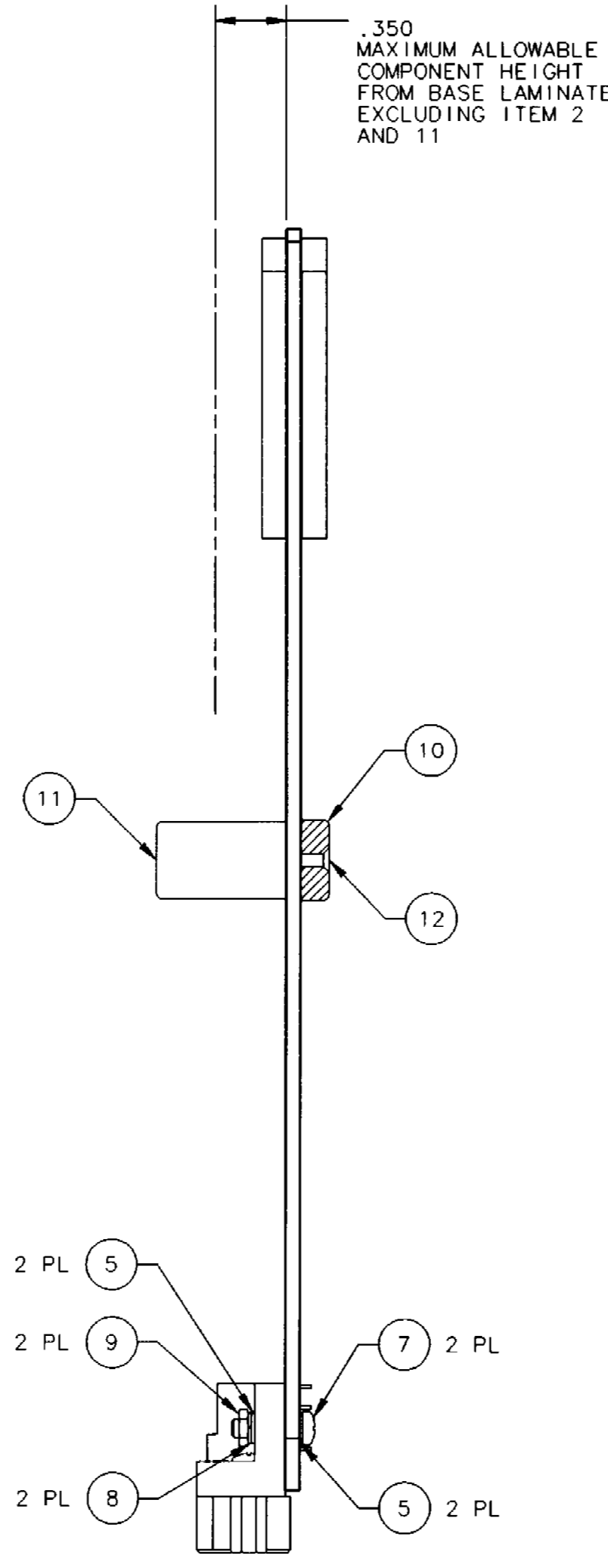
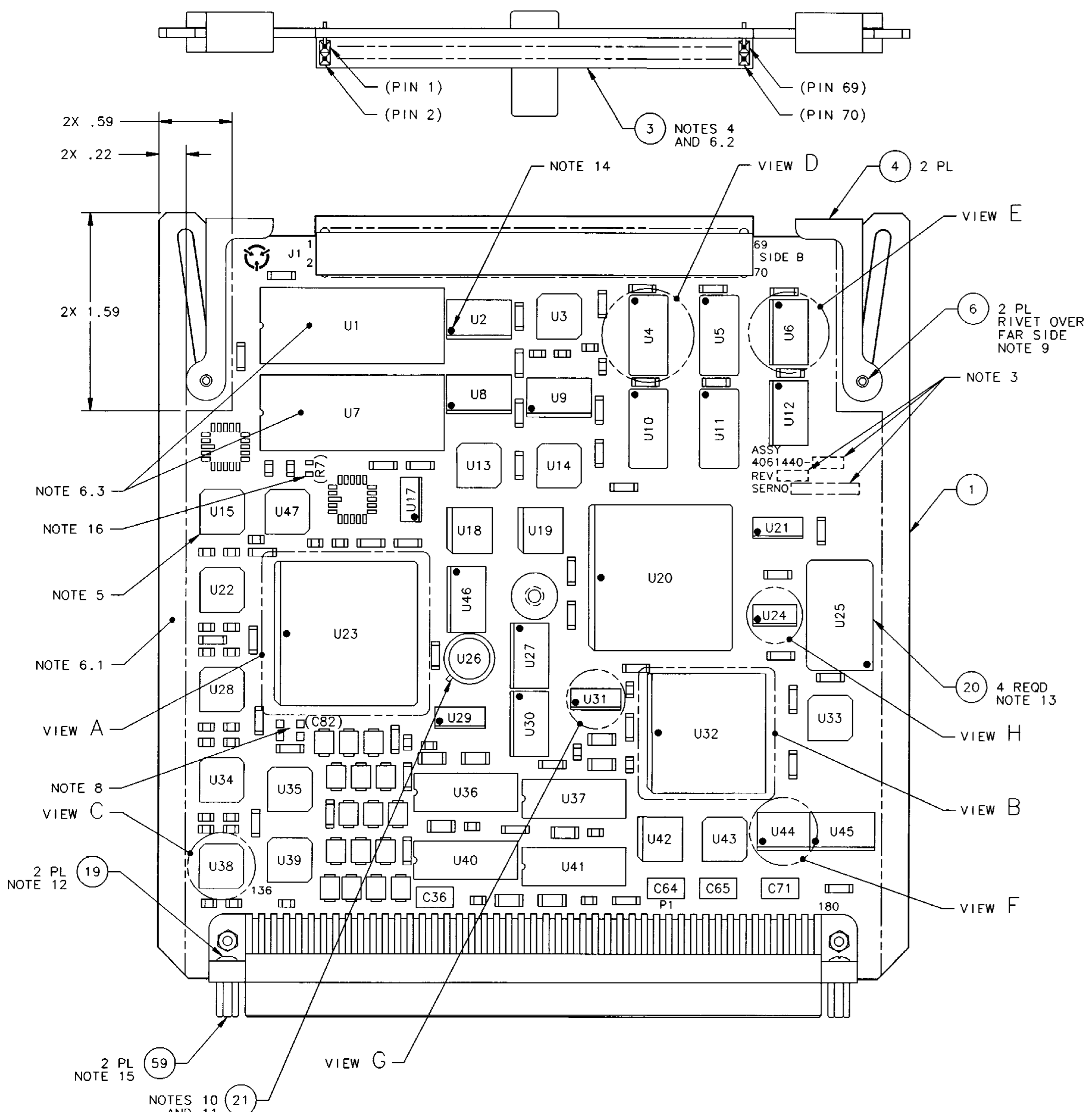


8 7 6 5 4 3 2 1

PROPRIETARY NOTICE
THIS DOCUMENT AND THE INFORMATION DISCLOSED HEREIN ARE PROPRIETARY DATA OF HONEYWELL INC. NEITHER THIS DOCUMENT NOR THE INFORMATION CONTAINED HEREIN SHALL BE REPRODUCED, USED, OR DISCLOSED TO OTHERS WITHOUT THE WRITTEN AUTHORIZATION OF HONEYWELL INC.

NOTICE
FREEDOM OF INFORMATION ACT (5 USC 552) AND DISCLOSURE OF CONFIDENTIAL INFORMATION GENERALLY (18 USC 1905)
THIS DOCUMENT IS BEING FURNISHED IN CONFIDENCE BY HONEYWELL INC. THE INFORMATION DISCLOSED HEREIN FALLS WITHIN EXEMPTION (b) (4) OF 5 USC 552 AND THE PROHIBITIONS OF 18 USC 1905.

REVISIONS		DATE	APPROVED
	INITIAL RELEASE	95-03-14	B. EHLERS
A	SH IDX REV. PL AFFECTED. 83775(M)	95-06-26	L. KEEFER B. EHLERS
B6	NOTES: ADD NOTE 17, WAS SH 1 OF 12. SH IDX REV. PL AFFECTED. 10251(M)	95-12-19	L. KEEFER B. EHLERS
C	NOTES: REVISED AND REWRITE NOTE 16. MADE R7 PROVISIONAL. SH IDX REV. PL AFFECTED 10257(NA)	96-02-14	L. KEEFER B. EHLERS
D	UDTD VIEW: DIM .350 --- ITEM 2 AND 11 WAS DIM .350 --- ITEM 11. ADD ASSOCIATIVITY STICKER. SH IDX REV. PL AFFECTED. 24938(NA) USE ALL PARTS IN-HOUSE, IN STOCK AND CURRENTLY ON ORDER, REQUISITION, OR IN PROCESS AT SUPPLIER. (EFFECTIVITY IS NEXT BUY).	01-27-90	<i>N. Ebers</i> <i>S. Zinder</i> D.A. ZINDER

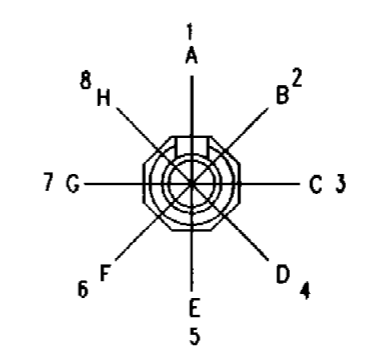


NOTES:

SEE SHEET 2 FOR COMPONENT DESIGNATORS

- COMPONENT DESIGNATIONS ARE FOR CROSS-REFERENCE ONLY.
- ASSEMBLE AND SOLDER PER ITEM 701.
- MARK PER ITEM 701.
- UNIQUE LAND ON CIRCUITRY INDICATES PIN 1, POSITIVE OR CATHODE END OF COMPONENT AND ON CONNECTOR DENOTES EVERY FIFTH PIN.
- UNIQUE FEATURE ON MICROCIRCUIT INDICATES ORIENTATION MARK OF DEVICE.
- COAT ASSEMBLY PER ITEM 702, UNLESS OTHERWISE SPECIFIED.
 - OMIT COATING FROM AREA OUTSIDE PHANTOM LINES, BOTH SIDES, 2 PLACES.
 - OMIT COATING FROM BODY OF ITEMS 2 AND 3. COAT SOLDERED LEADS ON SIDE A OF ITEM 1.
 - OMIT COATING FROM TOP SURFACE OF ITEM 43.
- COMPONENT REMOVED FOR CLARITY IN VIEWS A, B, C, D, E, F, G AND H. PIN NUMBERS ARE FOR REFERENCE ONLY.
- COMPONENT DESIGNATIONS SHOWN IN PARENTHESES ARE FOR PROVISIONAL USE ONLY.
- RADIAL CRACKS PERMISSIBLE ON ITEM 6, IF FREE OF POTENTIALLY LOOSE MATERIAL.
- ALIGN TAB ON COMPONENT, ITEM 42, WITH UNIQUE FEATURE ON CIRCUITRY.
- INSTALL ITEM 21 UNDER ITEM 42.
- APPLY COMPOUND PER ITEM 703 TO THREADS OF ITEM 19.
- INSTALL ITEM 20 ON FOUR CORNER PINS OF ITEM 38. ASSEMBLY AID REQUIRED DURING FLOW SOLDER ONLY.
- DOT SHOWN ON COMPONENT INDICATES PIN 1.

- ORIENT ITEM 59 PER CLOCKING TABLE 2 AND VIEW J.
- R7, PART NUMBER 4053838-1 IS TO BE INSTALLED AT NEXT HIGHER ASSEMBLY, AFTER PROGRAMMING HAS BEEN COMPLETED.
- REWORK CIRCUIT CARD ASSEMBLY PER TABLE 2 (SHEET 13) AND ITEM 701.



VIEW J
NOTE 15
SCALE: 4/1
A CLOCKING SHOWN
1 CLOCKING SHOWN

KEY A POSITION	KEY B POSITION
5	E

REVISION STATUS OF PARTS LIST SHALL BE SAME AS BASIC DRAWING NUMBER SEE SEPARATE PARTS LIST



ATTENTION:
THIS FACSIMILE HAS ASSOCIATIVITY TO THE LATEST REVISION OF THE 2D PROJECT DATABASE:
CCA

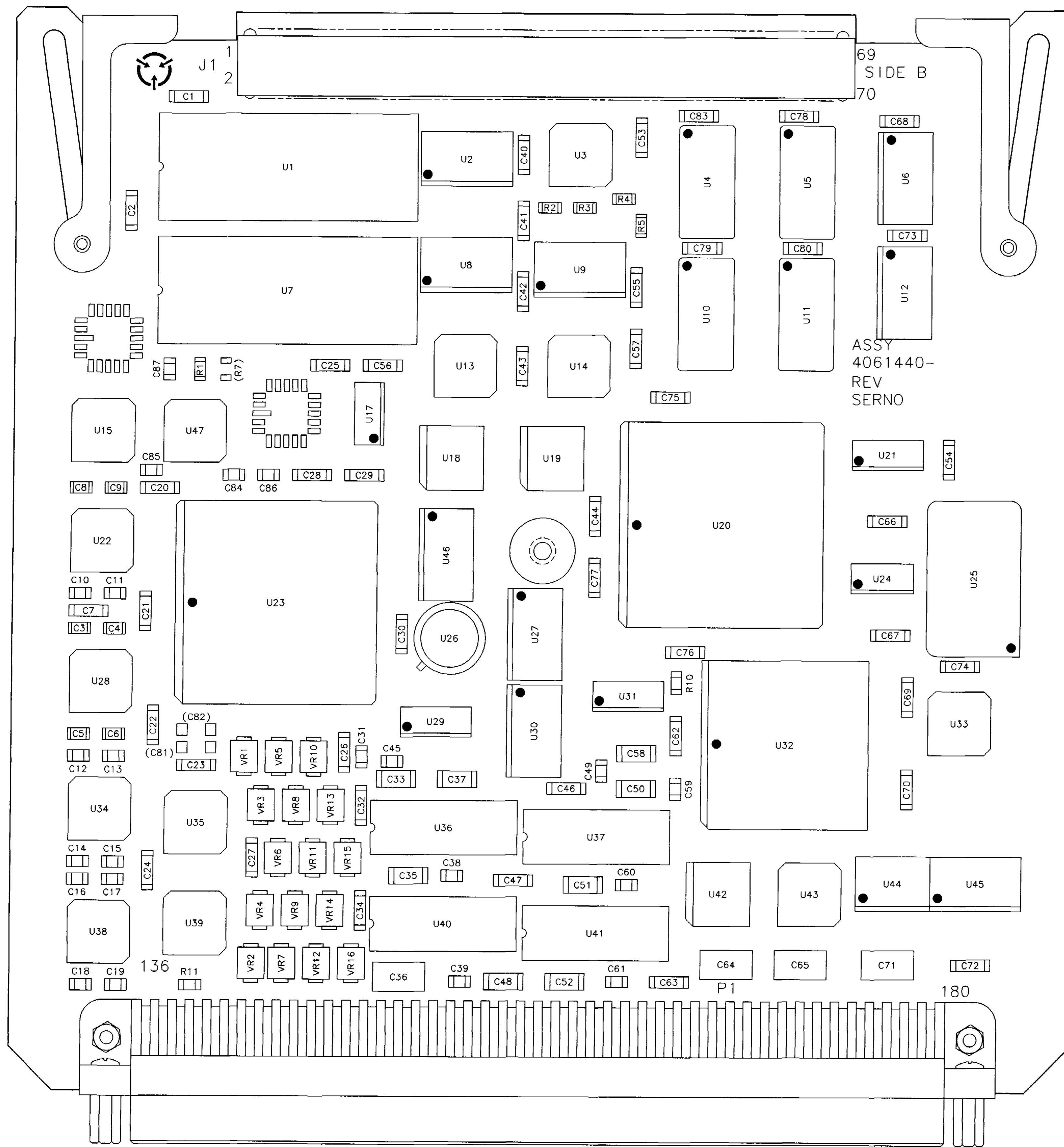
REV	SHEET INDEX	PREPARED BY	DATE	CONTRACT
45	44	V. SILVA	95-02-14	
43	42	B. EHLERS	95-03-14	
41	40	D. WHITTAKER	95-03-08	
39	38	L. KEEFER	95-03-13	
37	36	T. VANSETTEN	95-03-14	
35	34			
33	32			
31	30			
29	28			
27	26			
25	24			
23	22			
21	20			
19	18			
17	16			
15	14			
13	12			
11	10			
9	8			
7	6			
5	4			
3	2			
1				

MFG REF NO.	DC34609	MATL	MILITARY DESIGNATION	PROCESS	MATERIAL	ITEM CODE (PER EB99384)	3
DPA NO.	3834						
PRODUCT LINE NO.	4055000						
AW/PS ANALYSIS EB							
REF DWG							
REF SPEC							
4061400-905	4061400-905						
NEXT ASSY	USED ON (SYS)						
APPLICATION							

THIRD ANGLE PROJECTION	APPLYS/ENG	D. WHITTAKER	95-03-08
APPLYS/ENG	APPLYS/ENG	L. KEEFER	95-03-13
APPLYS/QE	APPLYS/QE	T. VANSETTEN	95-03-14
DWG CLASS	APPLYS/		
FIRST USED ON	DATE		
4061400-905	95-03-14		

OPERATIONAL NOTE	DATE	APPROVED
SIMILAR ASSEMBLY		
Honeywell		
COMMERCIAL FLIGHT SYSTEMS GROUP PHOENIX, ARIZONA		
TITLE	DATE	APPROVED
CIRCUIT CARD ASSEMBLY-CPU 1/0		
SIZE/CAGE CODE	DRAWING NO.	REV
E58960	4061440-903	D
SCALE 2/1		
SHEET 1 OF 13		

ZONE		REV	DESCRIPTION	DATE	APPROVED
C			MADE R7 PROVISIONAL.	10257(NA)	<i>[Signature]</i>
			INCL CL11 CHGS MINOR		B. EHLERS
			PER NOC B95-04.		L. KEEFER



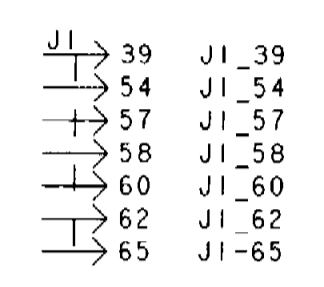
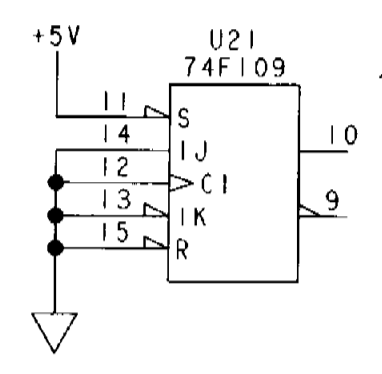
COMPONENT PLACEMENT DIAGRAM

-ATTENTION-
COMPUTER GENERATED DOCUMENT

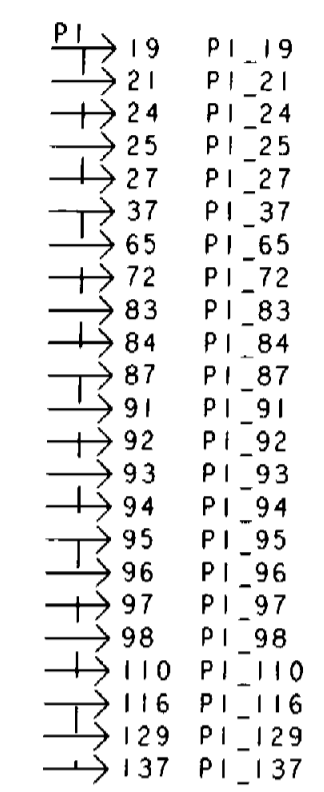
Honeywell	SEE FIRST SHEET FOR CONTRACT NUMBER, USE OR DISCLOSURE OF INFORMATION ON THIS SHEET IS SUBJECT TO THE RESTRICTIONS ON THE FIRST SHEET OF THIS DOCUMENT.	SIZE	E 58960	DRAWING NO.	4061440-903	REV	C
	SCALE	4/1	SHEET	2			

REF DES	GND	+5V	+15V	-15V	VMEM
U1	14				28
U2	10	20			
U3		20			
U4	12	24			
U5	12	24			
U6	10	20			
U7	14				28
U8	10	20			
U9	10	20			
U10	12	24			
U11	12	24			
U12	10	20			
U13	10	20			
U14	10	20			
U15		20			
U17	7	14			
U18	10	20			
U19	10	20			
U20	1, 7, 22	21, 45			
U20	44, 58	65, 84			
U20	64, 72				
U20	78				
U21	8	16			
U22	14	9	11	1	
U23	10, 28	11, 29			
U23	42, 56	43, 57			
U23	74	75			
U24	7	14			
U25	7	14			
U26	4	8			
U27	10	20			
U28	14	9	11	1	
U29	5		13	4	
U30	10	20			
U31	5		13	4	
U32	10, 28	9, 27			
U32	33, 45	44, 61			
U32	62	65			

REF DES	GND	+5V	+15V	-15V	VMEM
U33		20			
U34	14	9	11	1	
U35					
U36	8	16	9	7	
U37	8	16	9	7	
U38	14	9	11	1	
U39					
U40	8	16	9	7	
U41	8	16	9	7	
U42	10	20			
U43		20			
U44	8	16			
U45	10	20			
U46	10	20			
U47	14	9	11	1	

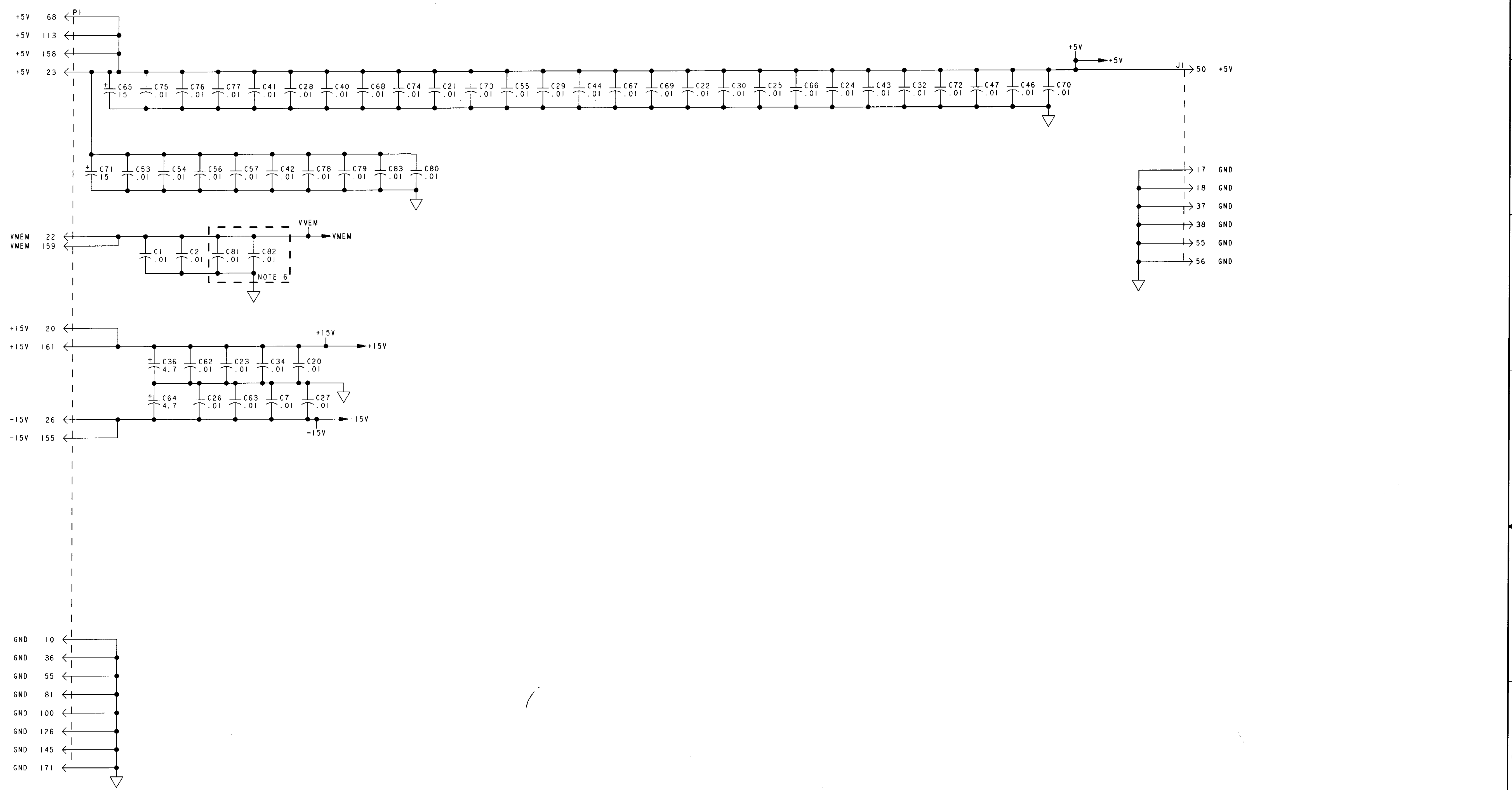


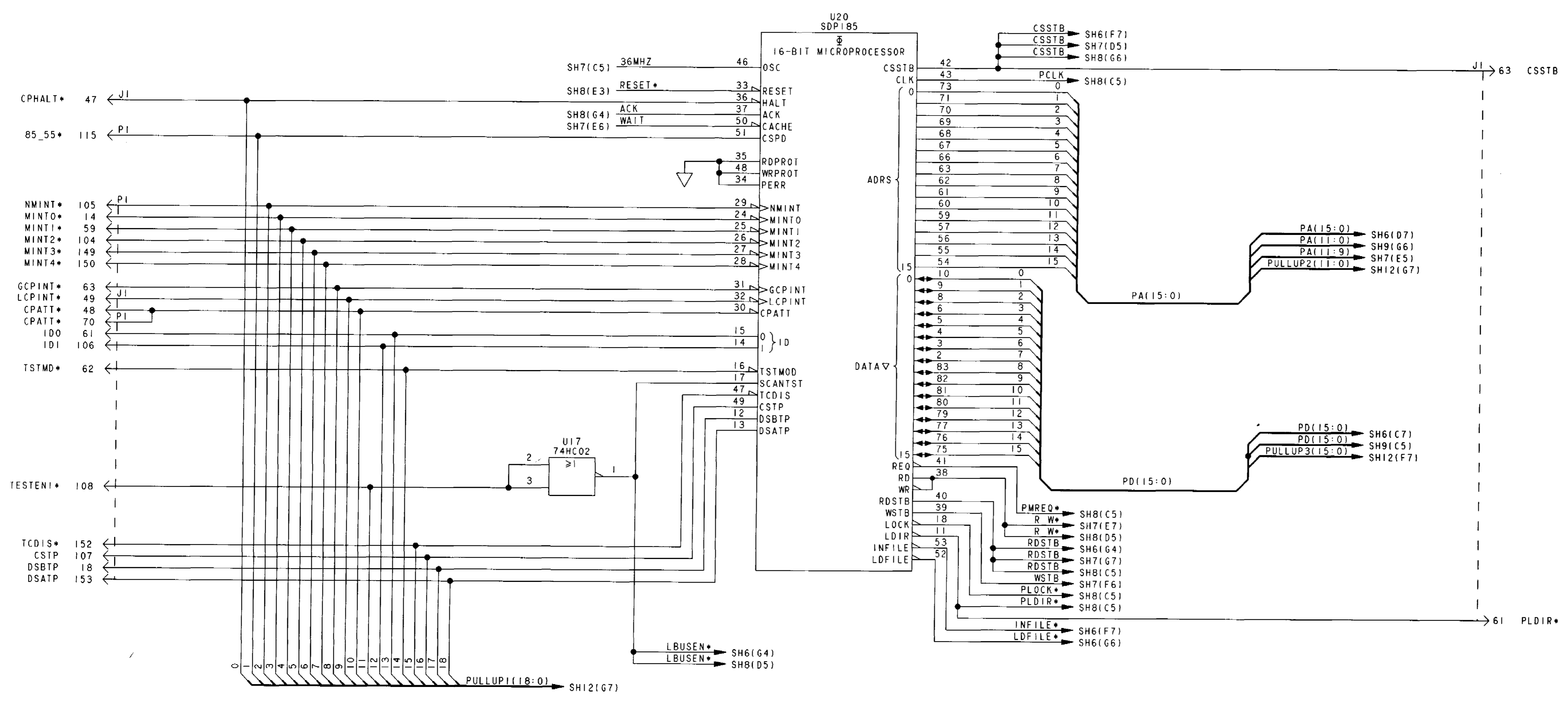
SPARES



- NOTES :
- UNLESS OTHERWISE SPECIFIED
 - ALL CAPACITANCE VALUES ARE IN MICROFARADS.
 - ALL RESISTANCE VALUES ARE IN OHMS.
 - PARTIAL REFERENCE DESIGNATIONS ARE SHOWN FOR COMPLETE DESIGNATIONS PREFIX PART DESIGNATION WITH SUBASSEMBLY DESIGNATION.
 - INTERPRET DRAWING PER ANSI Y32.2-1975 AND ANSI/IEEE STD 991-1986. LOGIC SYMBOLS CONFORM TO ANSI/IEEE 91-1984.
 - FOR POWER AND GROUND PINS NOT SHOWN ON SCHEMATIC SEE TABLE I.
 - PROVISIONAL COMPONENTS ARE SHOWN FOR REFERENCE ONLY.
 - REMOVE RESISTOR BEFORE PROGRAMMING AND REPLACE WHEN PROGRAMMING IS COMPLETED.

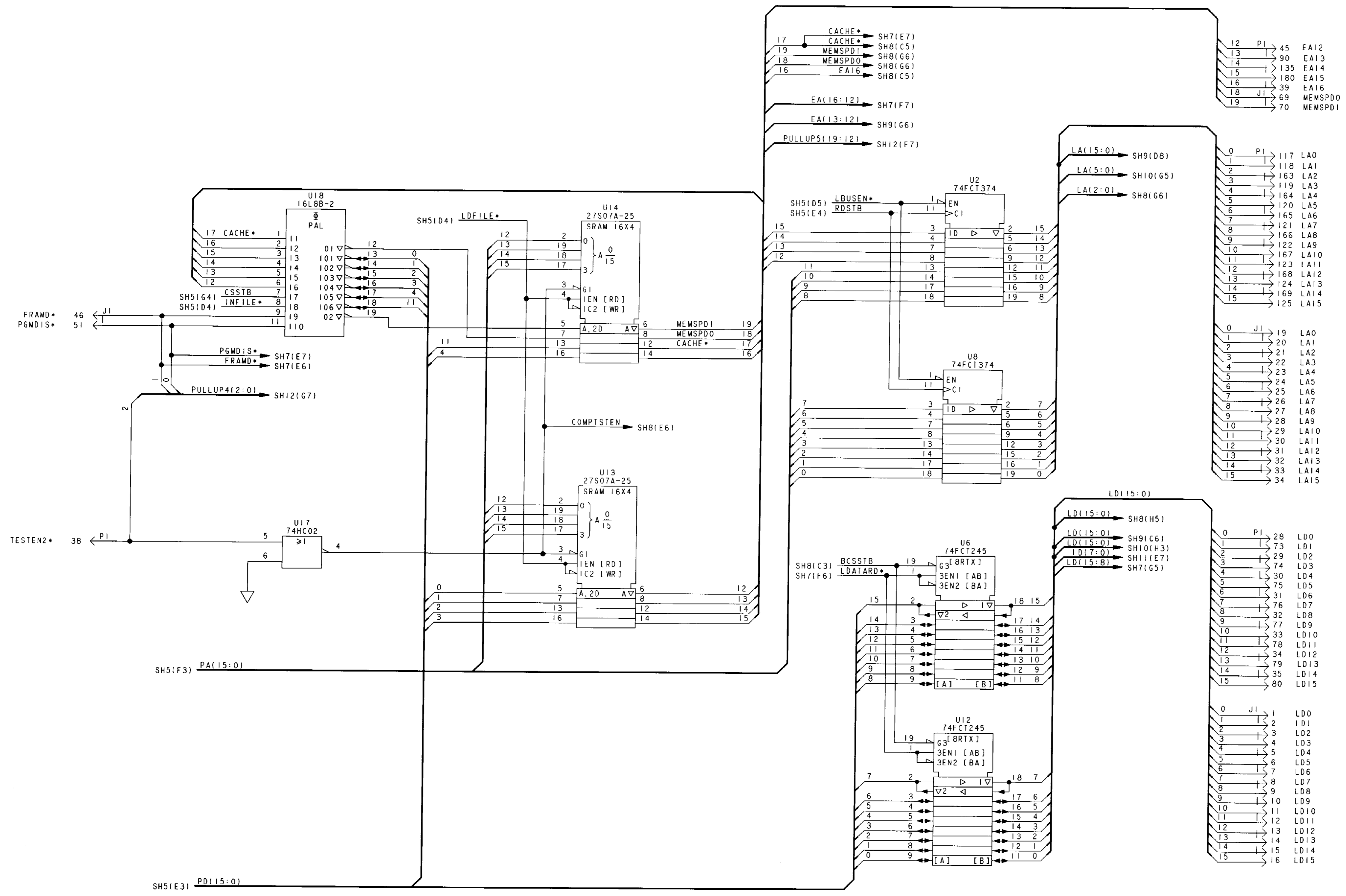
REVISIONS				
ZONE	REV	DESCRIPTION	DATE	APPROVED



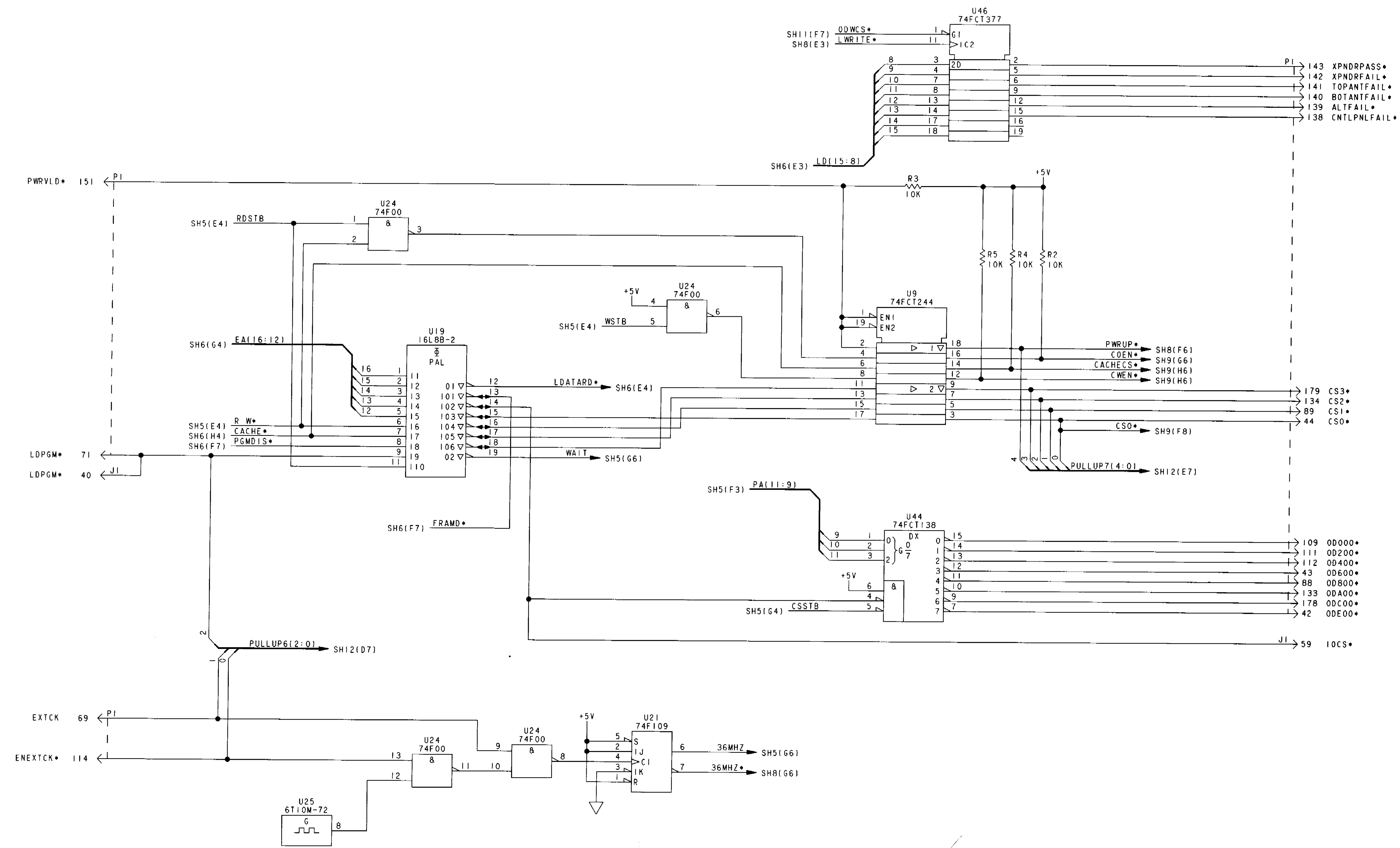


4061440-903 5

REVOLUTIONS		DATE	APPROVED
ZONE	REV	DESCRIPTION	
D5	A	U13-6, -8, -12 RMV NAMES MEMSPDI, MEMSPDO, CACHE*.	<i>[Signature]</i>
			83775(M) B. EHLERS J.B.K.

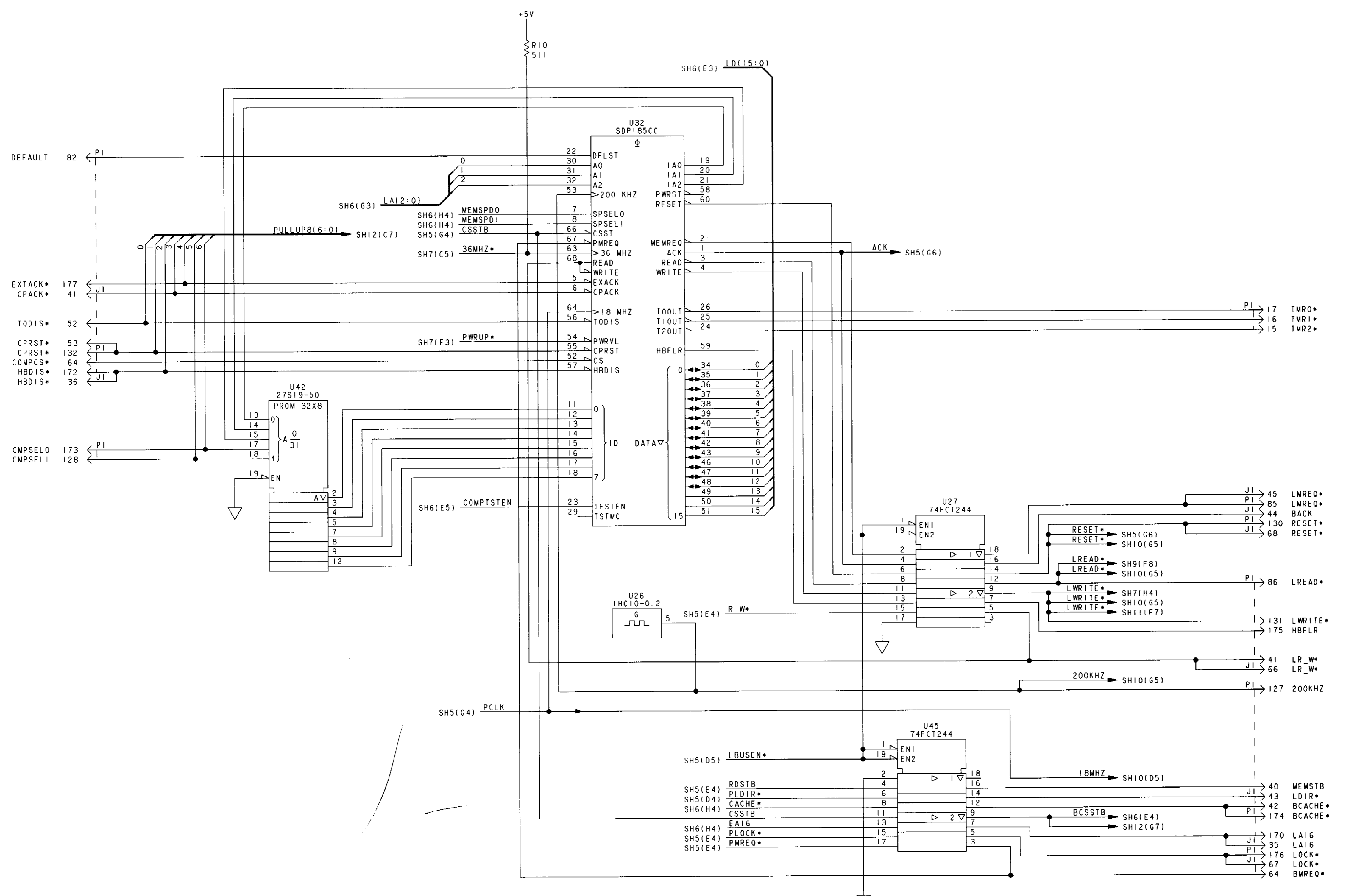


Signal	Pin	Label
12	PI	45 EA12
13		90 EA13
14		135 EA14
15		180 EA15
16		39 EA16
18	J1	69 MEMSPDO
19		70 MEMSPDI
0	PI	117 LA0
1		118 LA1
2		163 LA2
3		119 LA3
4		164 LA4
5		120 LA5
6		165 LA6
7		121 LA7
8		166 LA8
9		122 LA9
10		167 LA10
11		123 LA11
12		168 LA12
13		124 LA13
14		169 LA14
15		125 LA15
0	J1	19 LA0
1		20 LA1
2		21 LA2
3		22 LA3
4		23 LA4
5		24 LA5
6		25 LA6
7		26 LA7
8		27 LA8
9		28 LA9
10		29 LA10
11		30 LA11
12		31 LA12
13		32 LA13
14		33 LA14
15		34 LA15
0	PI	28 LD0
1		73 LD1
2		29 LD2
3		74 LD3
4		30 LD4
5		75 LD5
6		31 LD6
7		76 LD7
8		32 LD8
9		77 LD9
10		33 LD10
11		78 LD11
12		34 LD12
13		79 LD13
14		35 LD14
15		80 LD15
0	J1	1 LD0
1		2 LD1
2		3 LD2
3		4 LD3
4		5 LD4
5		6 LD5
6		7 LD6
7		8 LD7
8		9 LD8
9		10 LD9
10		11 LD10
11		12 LD11
12		13 LD12
13		14 LD13
14		15 LD14
15		16 LD15



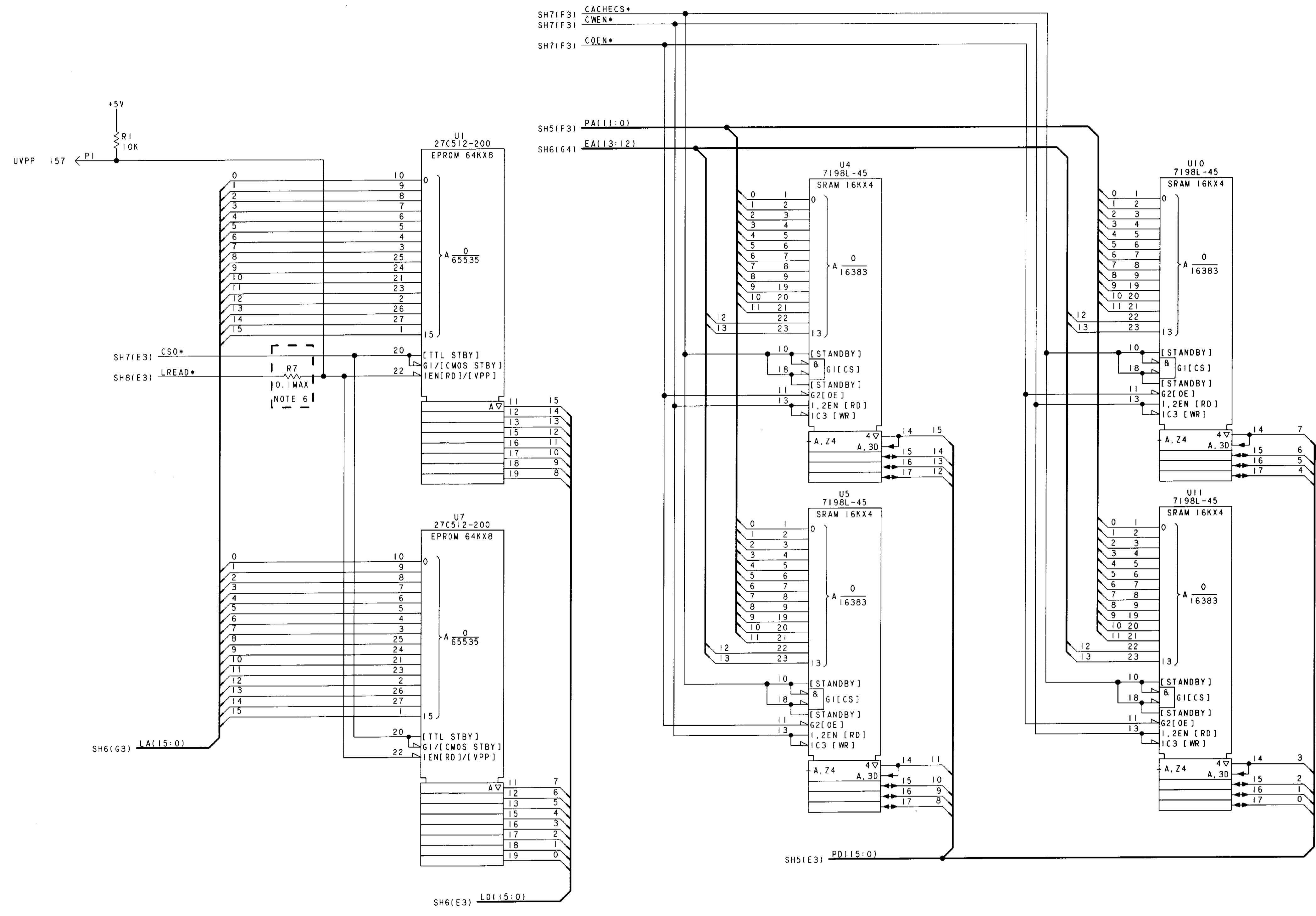
4061440-903

REV		DESCRIPTION	DATE	APPROVED
C4	B	U45-2 WAS PCLK. U45-18 WAS 18MHZ.	1/15/82	L. KEEFER
D4		U26-5 WAS TO U27-17. U27-3 WAS		B. EHLERS
D5		200KHZ.		J.B.K.

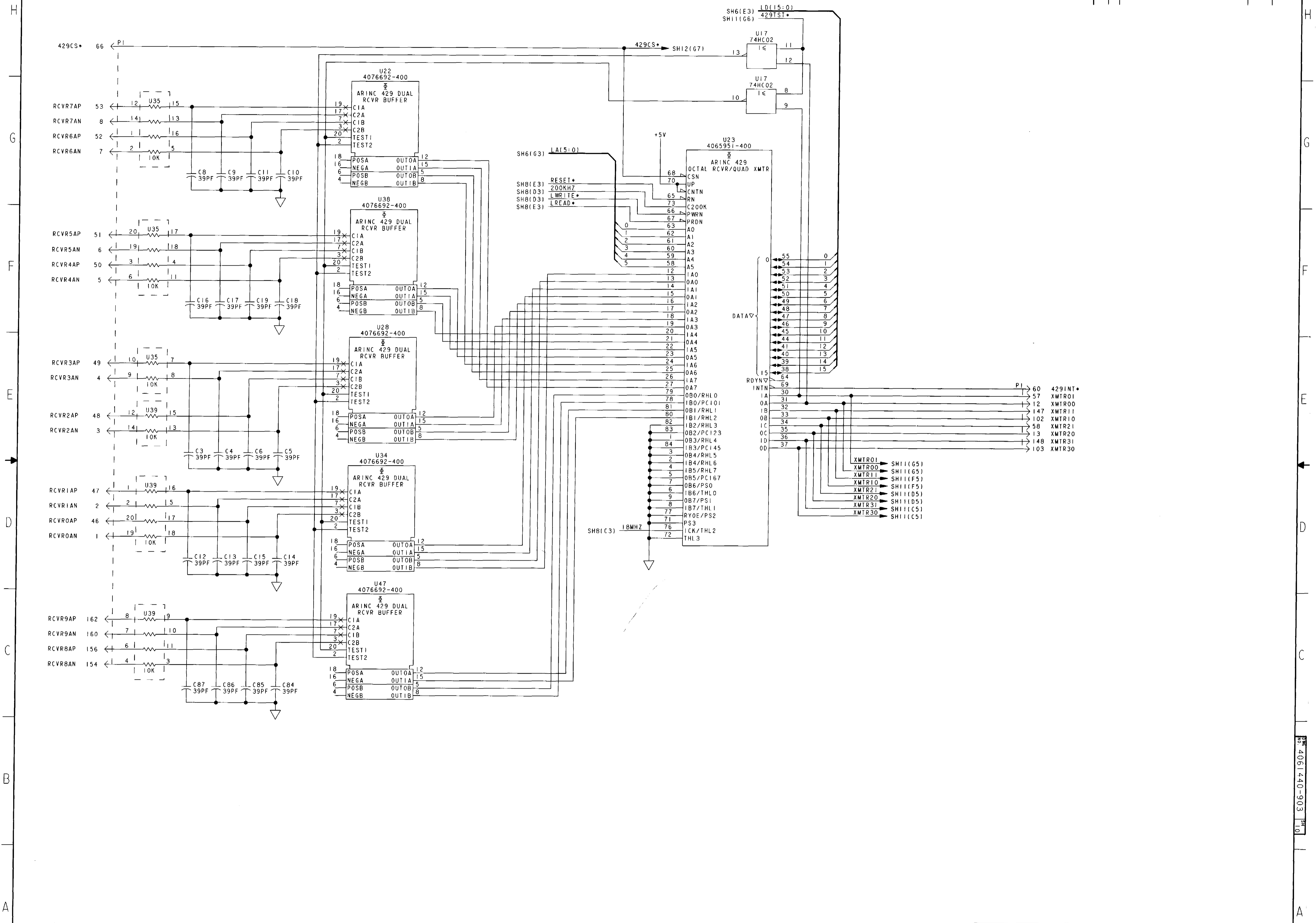


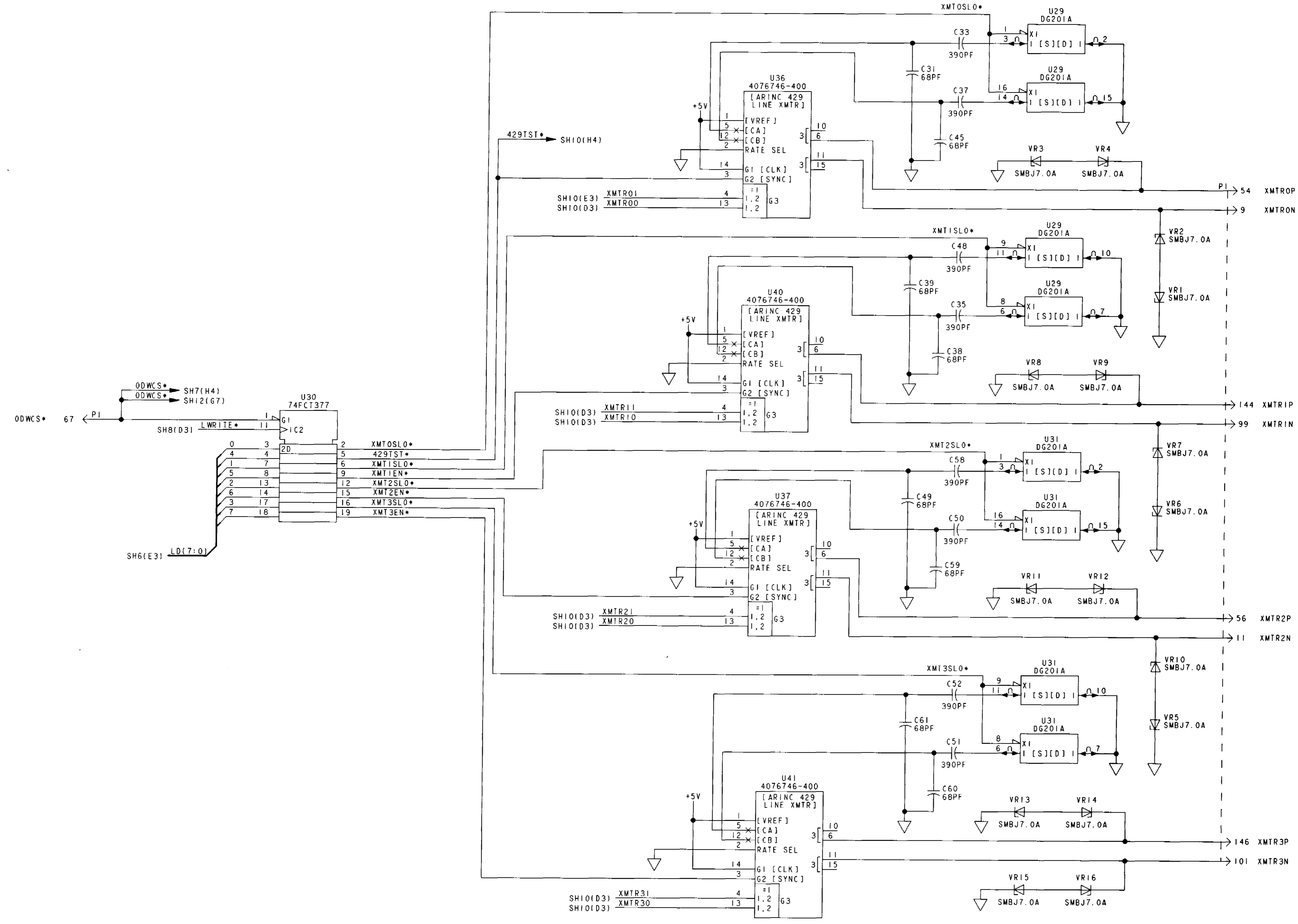
4061440-903
 SHEET 8

REV. NO.		REVISIONS	DATE	APPROVED
F7	C	R7 ADD PROV. BOX AND NOTE 6. INCL CL 11 CHNG MINOR PER NOC B95-04.		<i>[Signature]</i> B. EHLERS J.B.K.



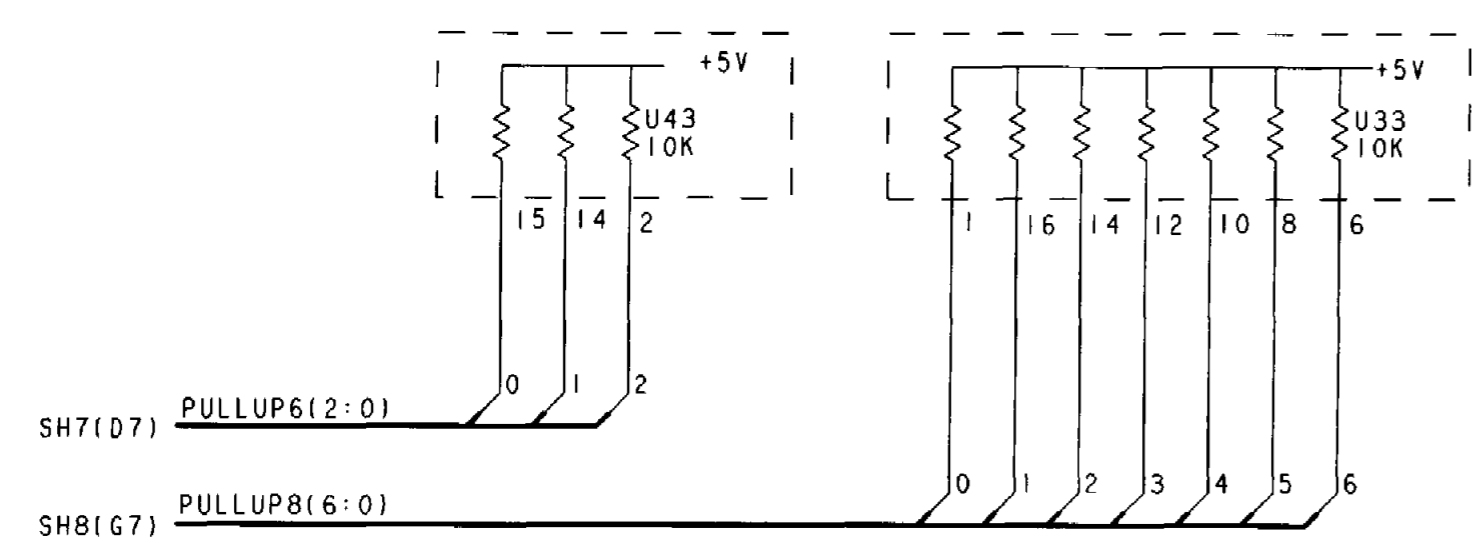
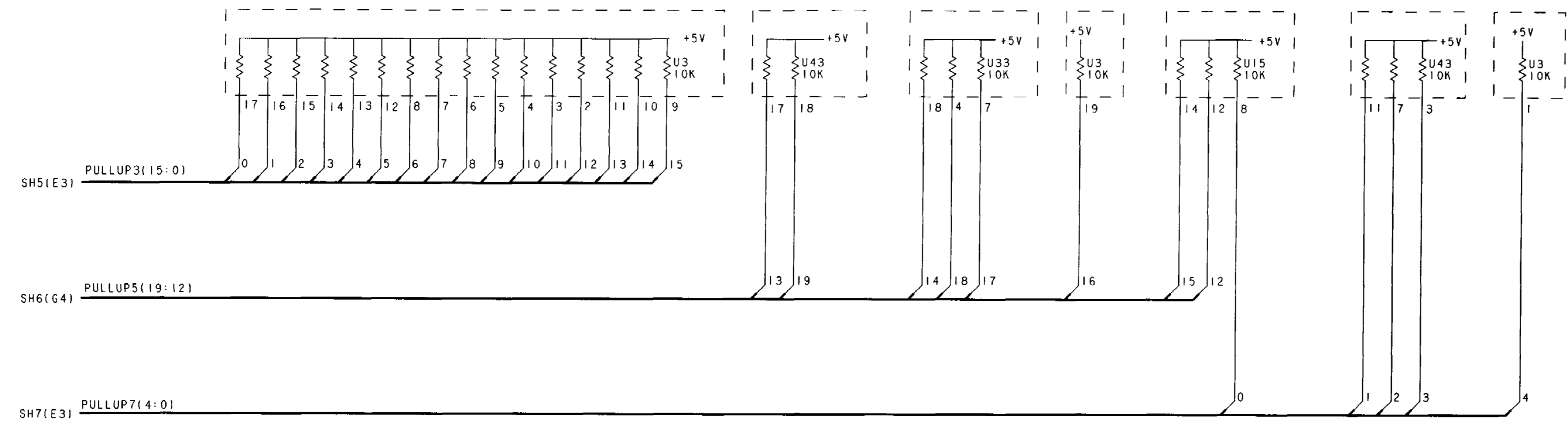
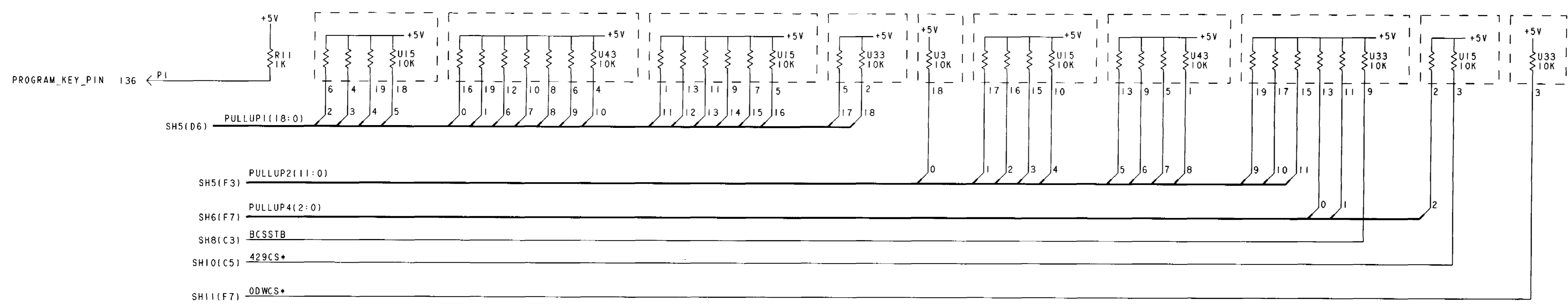
4061440-903 9





4061440-903 SH 11

REVISIONS				
ZONE	REV	DESCRIPTION	DATE	APPROVED



ZONE REV		REVISIONS	DATE	APPROVED
B		ADD THIS SHEET.	10251(M)	L. KEEFER B. EHLERS JJ

TABLE 2 (NOTE 17)
CCA REWORK TABLE

PWB REV	CONDUCTOR		FROM CIRCUIT POINT	TO CIRCUIT POINT	VIEWED FROM SIDE	REMARKS	CCA MODIFICATION
	NO.	ITEM NO.					
A			U27-17 (PAD)	U27-17 (VIA)	B		CUT TRACK
A			U27-3 (PAD)	U27-3 (VIA)	B		CUT TRACK
A			U45-2 (PAD)	U45-2 (VIA)	B		CUT TRACK
A			U45-18 (PAD)	U45-18(VIA)	B		CUT TRACK
A	201	704	U27-17 (PAD)	U27-10	B		CONNECT
A	202	704	U45-2 (PAD)	U45-10	B		CONNECT
A	203	704	U45-2 (VIA)	U45-18 (VIA)	B		CONNECT
A	204	704	U27-17 (VIA)	U27-3 (VIA)	B		CONNECT

-ATTENTION-
COMPUTER GENERATED DOCUMENT

Honeywell	SEE FIRST SHEET FOR CONTRACT NUMBER. USE OR DISCLOSURE OF INFORMATION ON THIS SHEET IS SUBJECT TO THE RESTRICTIONS ON THE FIRST SHEET OF THIS DOCUMENT.		SIZE/CAGE CODE E 58960	DRAWING NO. 4061440-903	REV B
			SCALE 4/1	SHEET 13	

PART NO. 4061440-903 SHEET 13