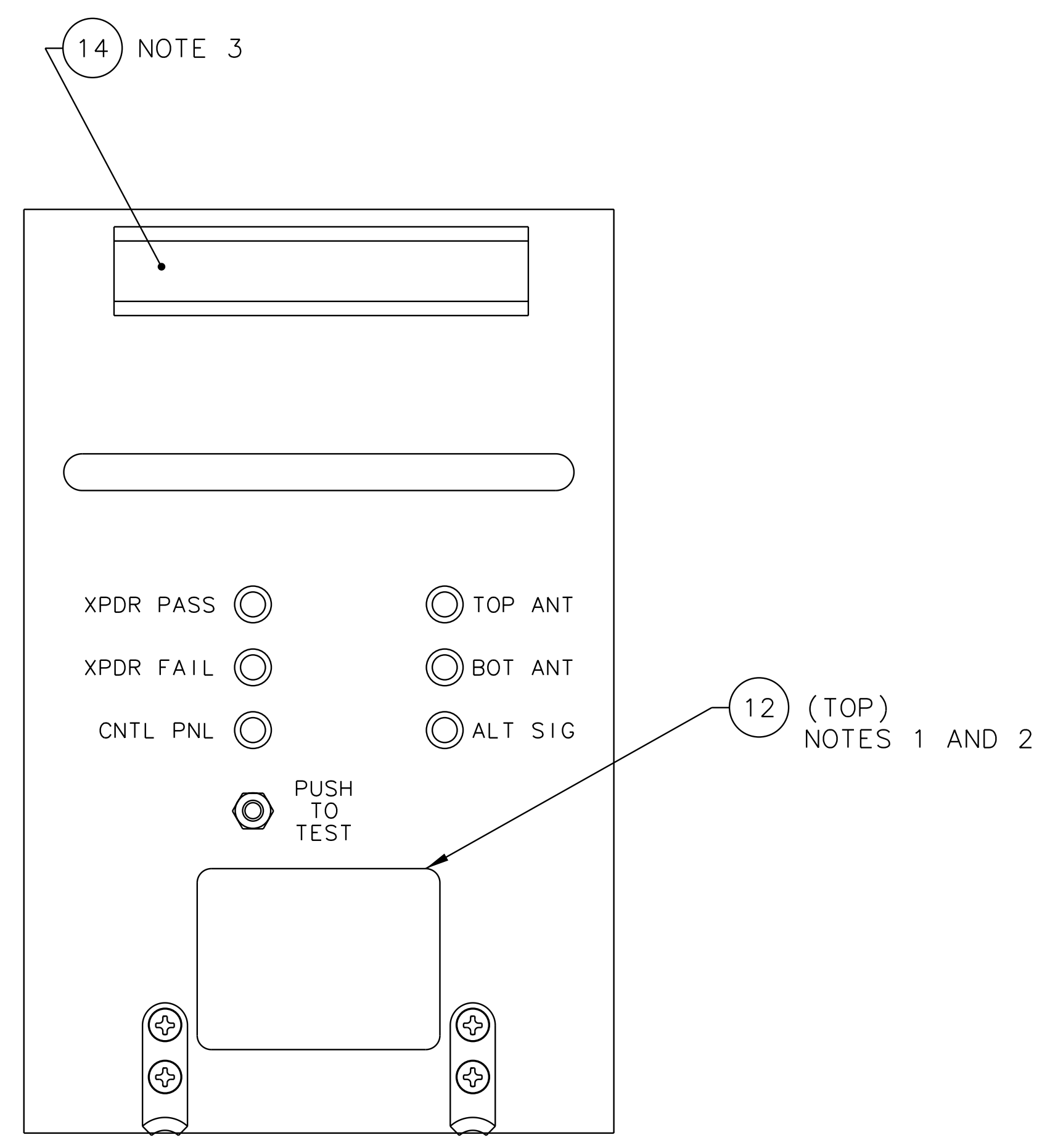
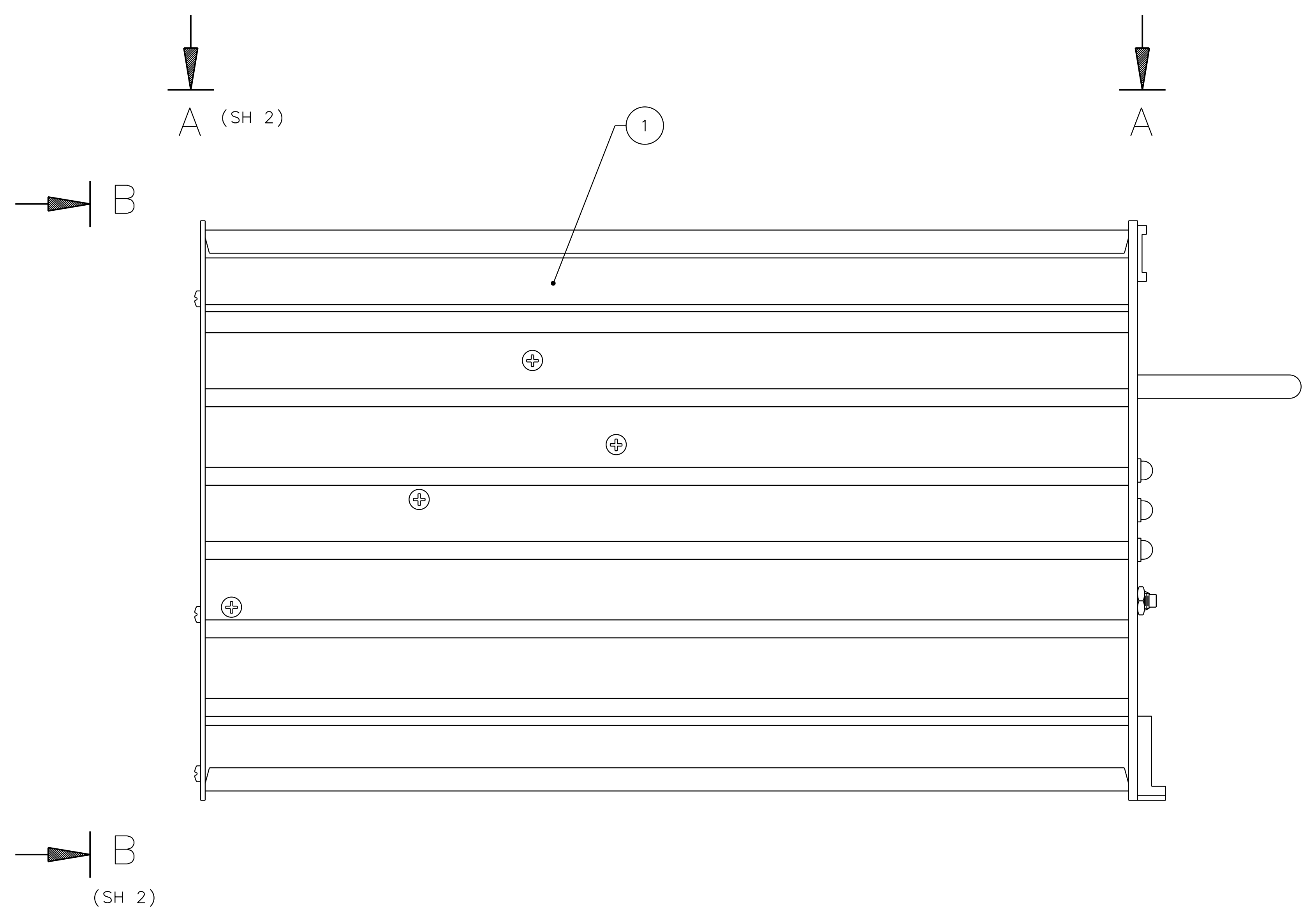


PROPRIETARY NOTICE
 THIS DOCUMENT AND THE INFORMATION DISCLOSED HEREIN ARE PROPRIETARY DATA OF ACSS, LLC. NEITHER THIS DOCUMENT NOR THE INFORMATION CONTAINED HEREIN SHALL BE REPRODUCED, USED, OR DISCLOSED TO OTHERS WITHOUT THE WRITTEN AUTHORIZATION OF ACSS, LLC

NOTICE
 FREEDOM OF INFORMATION ACT (5 USC 552) AND DISCLOSURE OF CONFIDENTIAL INFORMATION GENERALLY (18 USC 1905)
 THIS DOCUMENT IS BEING FURNISHED IN CONFIDENCE BY ACSS, LLC THE INFORMATION DISCLOSED HEREIN FALLS WITHIN EXEMPTION (b) (4) OF 5 USC 552 AND THE PROHIBITIONS OF 18 USC 1905.

REVISONS		DESCRIPTION	
CRNO.	REV		
006903	J	REVISED AND REDRAWN. SEE PREVIOUS REVISION FOR CHANGE HISTORY. SEE DESCRIPTION PER CHANGE REQUEST.	10-20-03

MOD LTR	REF DOCUMENT	REMARKS	AFFECTED SUBASSEMBLY	AFFECTED SERIAL NO.
A	FSB C21-3834-009	IMPROVES POWER INTERRUPT PERFORMANCE BY INCREASING NOISE IMMUNITY IN POWER SUPPLY	A3, 4061409-902 REV C, A3A2, 4061424-902 REV F	ALL
D	FSB C21-3834-011	CHANGES ANTENNA FAULT DETECTION TO CONTINUITY -LESS THAN 500 OHMS- DETECTOR MOD C BYPASSED FOR 90X DWNG CONSISTENCY	A4A2, 7514113-903 A4A6, 7514115-903	SN 94XX1576 AND GREATER AND AT CUSTOMER REQUEST
E	FSB C24-3834-015	IMPROVES ANTENNA FAILURE RESPONSE. CHANGES LAMP DISPLAY INCORPORATES 2 DIGIT FLIGHT LEG NUMBER	A1, 4067465-908	ANY AT CUSTOMER REQUEST AN S/N TBD
F	FSB C21-3834-014	REPLACEMENT OF CR1 OR CR2 WILL REQUIRE A MATCHING CAPACITOR FOR C12 OR C13.	A4A2A1, 7514121-901	ALL



- NOTES:
1. TYPE APPLICABLE DASH NUMBER, SERIAL NUMBER, THE NOMINAL WEIGHT AND MARK APPLICABLE MODIFICATION LETTERS ON ITEM 12. THE NOMINAL WEIGHT IS 14.5 LBS.
 2. APPLY ITEM 12 TO ITEM 1 PER ITEM 701. CENTRALLY LOCATE AS SHOWN ON SMOOTH AREA OF FRONT PANEL.
 3. INSTALL ITEMS 14 AND 16 PER ITEM 701.
 - 4.
 5. TEST PER ITEM 709 OR ITEM 710.
 6. SECURE ITEM 5 THEN TIGHTEN MOTHERBOARD MOUNTING HARDWARE.
 7. SCREEN PER ITEM 705.
 8. DENOTES COMPONENTS SENSITIVE TO ELECTROSTATIC DISCHARGE (ESD).
 9. APPLY ITEM 706 SPARINGLY TO SCREW THREADS OF ITEM 2 (6 PLACES).
 10. ITEM 707 IS INTERCHANGABLE WITH ITEM 8.
 11. ITEM 708 IS INTERCHANGABLE TO ITEM 4.
 12. TYPE DATE AND SERIAL NUMBER OF UNIT ON ITEM 21 AND STAMP WITH QC STAMP.
 13. INSTALL ITEM 21 PER ITEM 701. LOCATE APPROXIMATELY AS SHOWN.
 14. ITEM 711 IS AN ACCEPTABLE SUSTITUTE FOR ITEM 7.

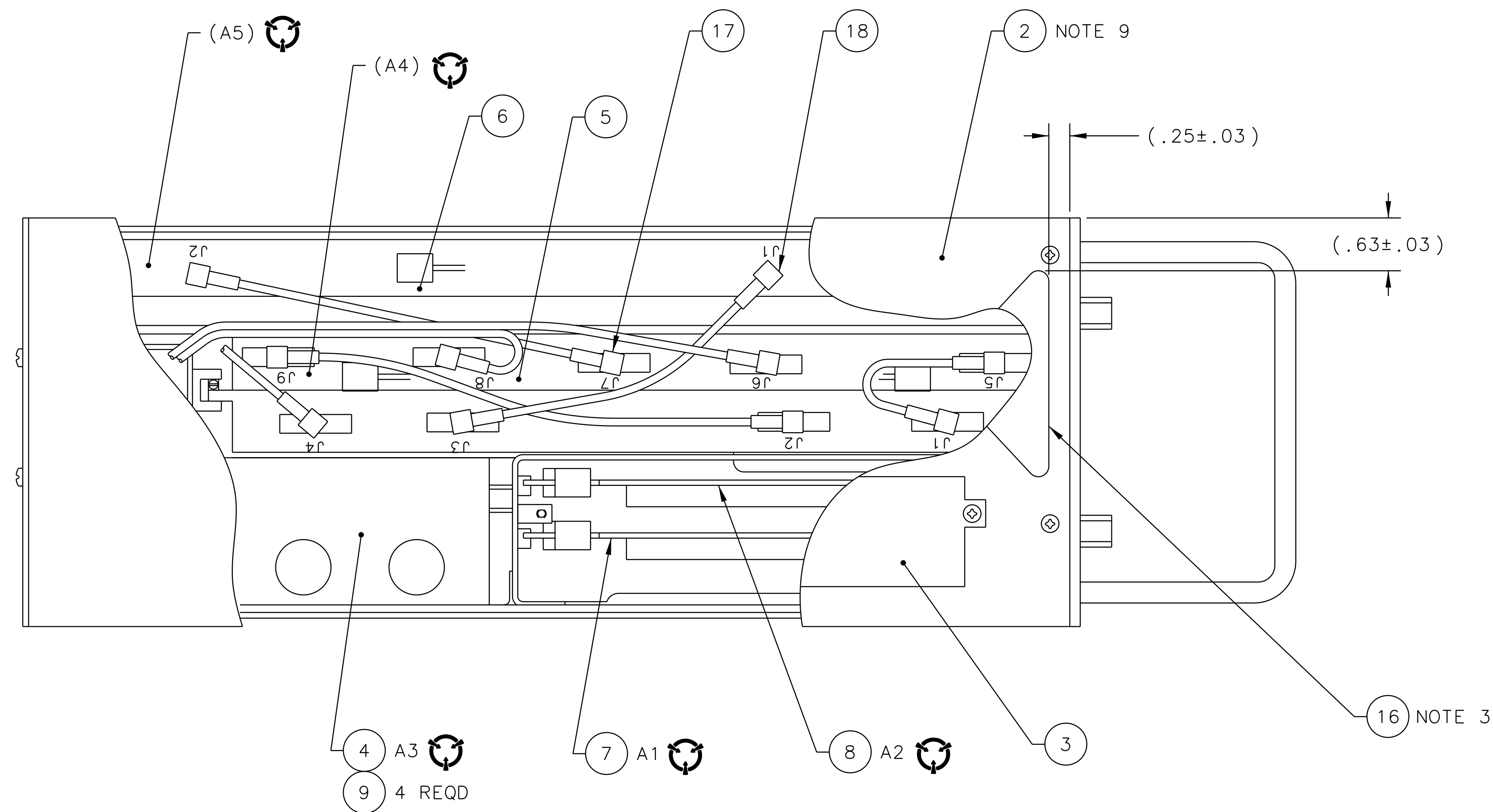


REVISION STATUS OF PARTS LIST SHALL BE THE SAME AS THE BASIC DRAWING NUMBER. SEE SEPARATE PARTS LIST.

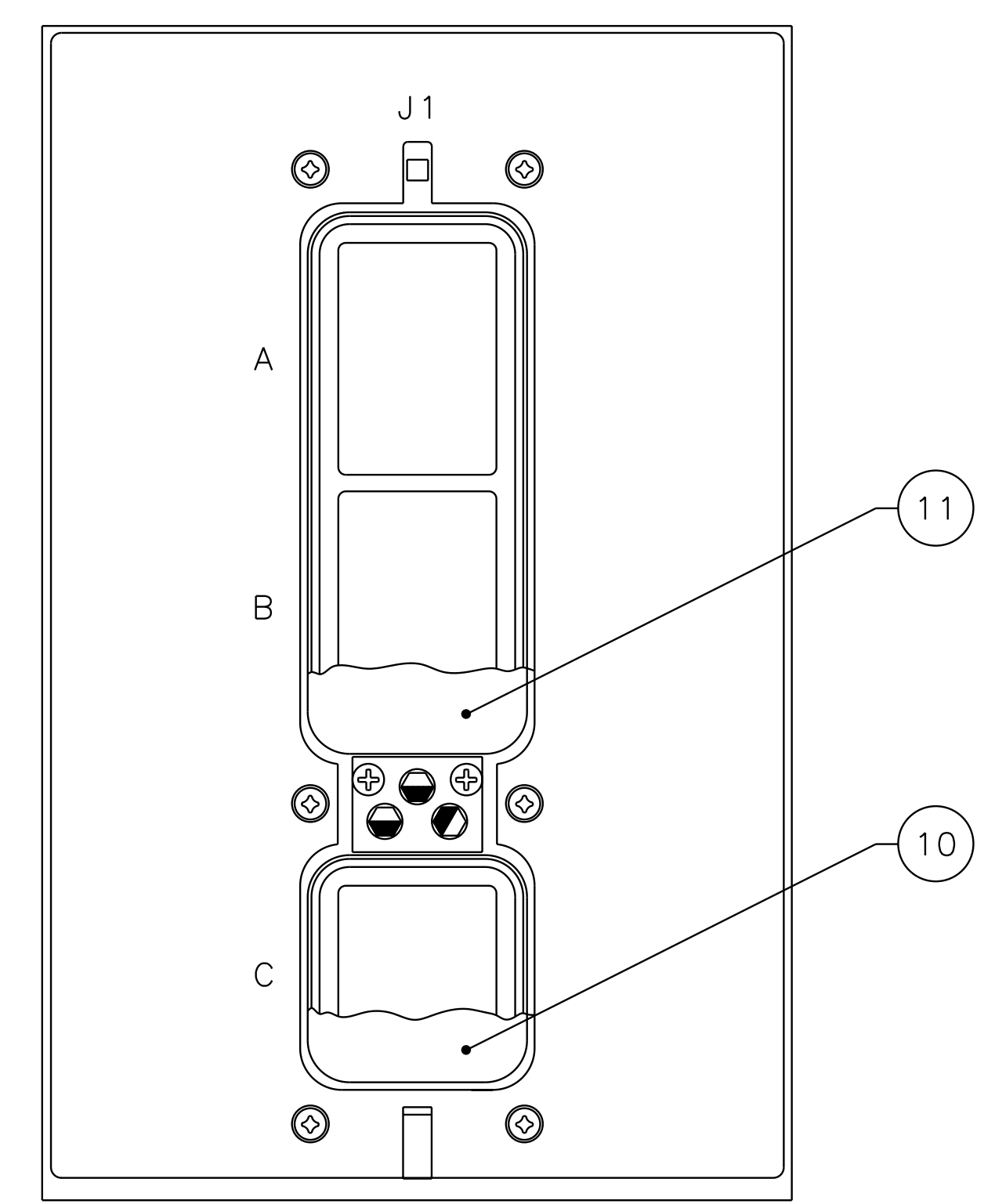
UNLESS OTHERWISE SPECIFIED, DIMENSIONS ARE IN INCHES: TOLERANCES: ANGLES ± - 2 PL DEC ± - 3 PL DEC ± -		THIRD ANGLE PROJECTION	OPERATIONAL NOTE
INTERPRET DIMENSIONS AND TOLERANCES PER AMSE Y14.5M-1994			SIMILAR ASSEMBLY
FOR REFERENCE		Aviation Communication & Surveillance Systems 19810 North 71st Avenue Phoenix, Arizona 85027-4400	
ORIGINAL C.R. DPA DC31054		TITLE	
PRODUCT LINE NO. 3834		TRANSPOUNDER SET -	
AW/PS ANALYSIS EB 4055000		MODE S	
REF DWG	REF SPEC	SIZE	CAGE CODE
4061400-905	4061400-905	E11WYD3	DRAWING NO. 4061400-905
NEXT ASSY	END ITEM	SCALE	REV
		NONE	J
APPLICATION		SHEET	1 OF 2

REVISED		DESCRIPTION
CRNO.	REV	
006903	J	REVISED AND REDRAWN. SEE PREVIOUS REVISION FOR CHANGE HISTORY. SEE DESCRIPTION PER CHANGE REQUEST.

BUS WIRE DATA TABLE			
CONDUCTOR NO.	ITEM NO.	FROM CIRCUIT POINT	TO CIRCUIT POINT
201	19	J1A-71	A4J8
202	19	J1B-71	A4J6
203	17	A5J2	A4J7
204	18	A5J1	A4J3



VIEW A-A
CABLES ARE SHOWN FOR REFERENCE ONLY



VIEW B-B