

PROPRIETARY NOTICE
 THIS DOCUMENT AND THE INFORMATION DISCLOSED HEREIN ARE PROPRIETARY DATA OF HONEYWELL INC. NEITHER THIS DOCUMENT NOR THE INFORMATION CONTAINED HEREIN SHALL BE REPRODUCED, USED, OR DISCLOSED TO OTHERS WITHOUT THE WRITTEN AUTHORIZATION OF HONEYWELL INC.

NOTICE
 FREEDOM OF INFORMATION ACT (5 USC 552) AND DISCLOSURE OF CONFIDENTIAL INFORMATION GENERALLY (18 USC 1905)

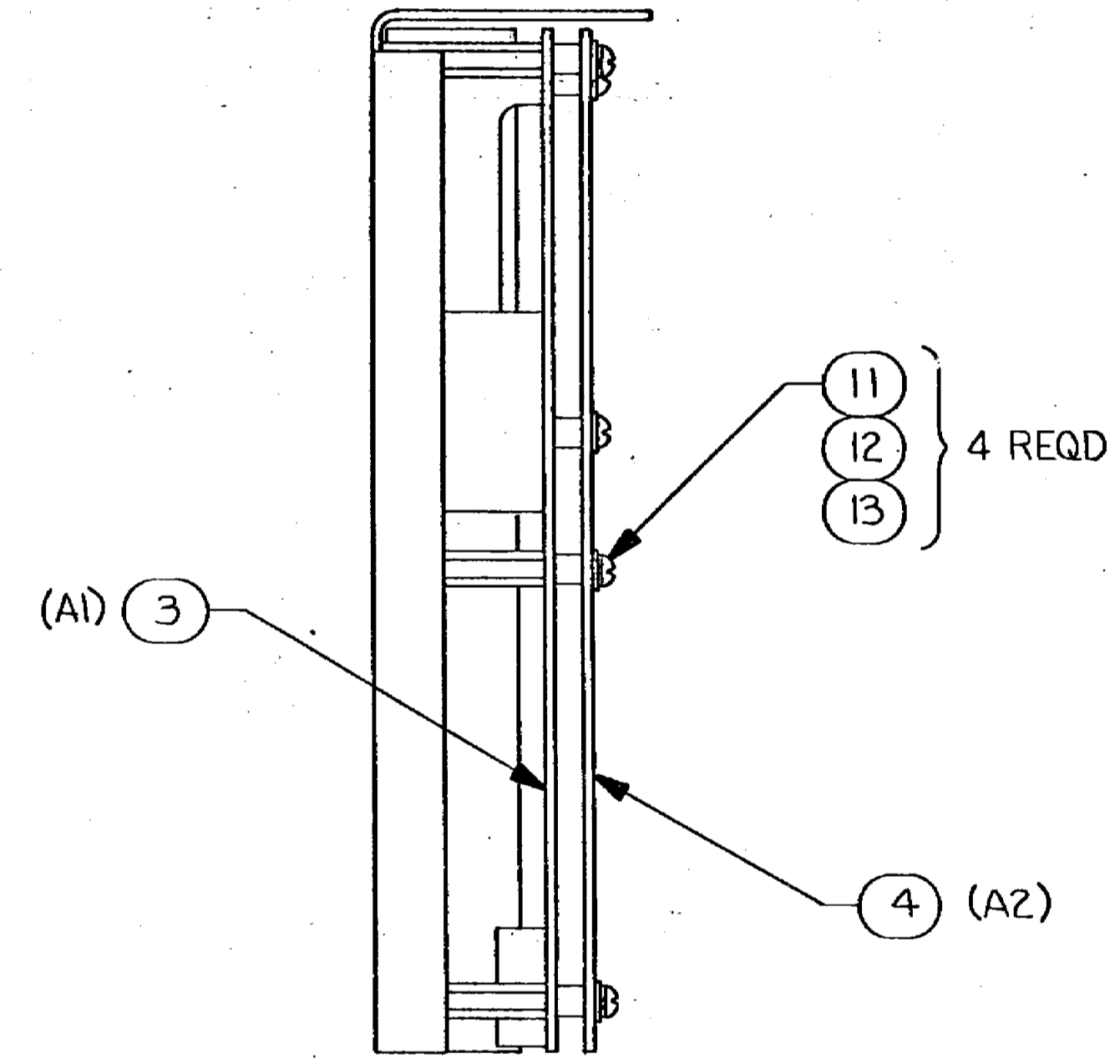
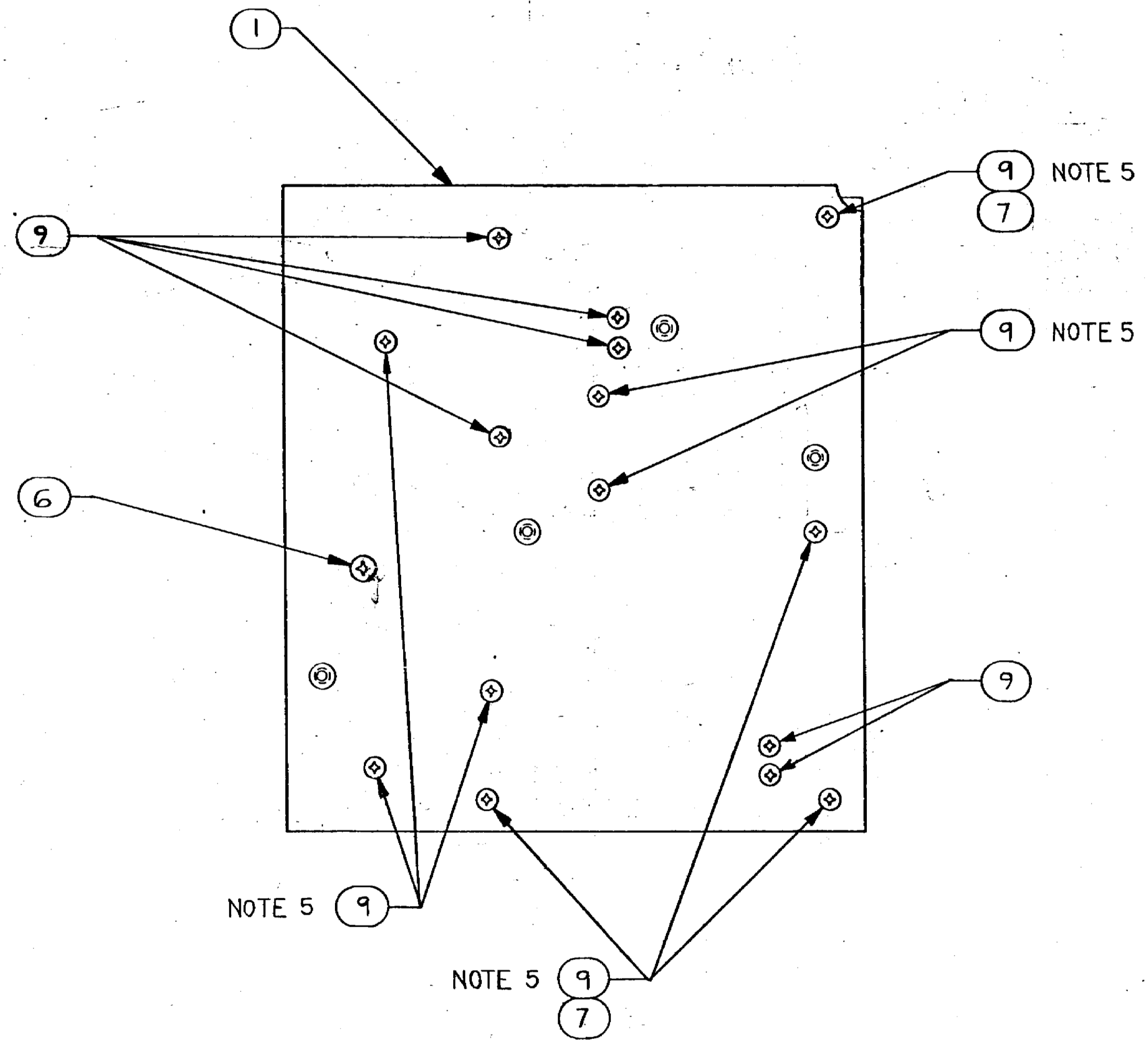
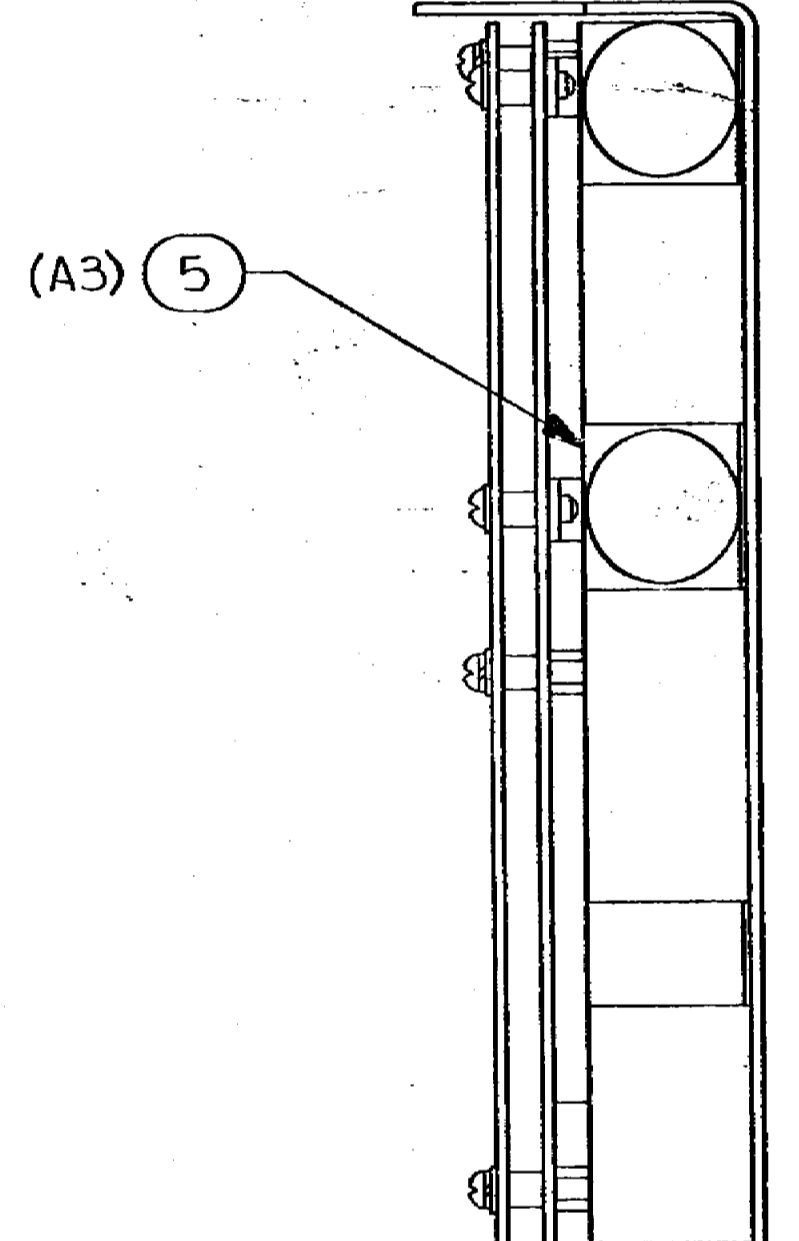
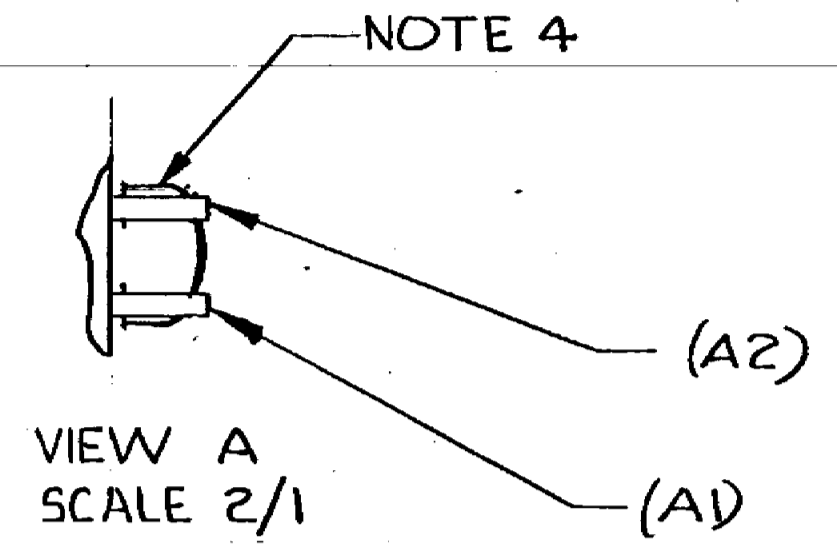
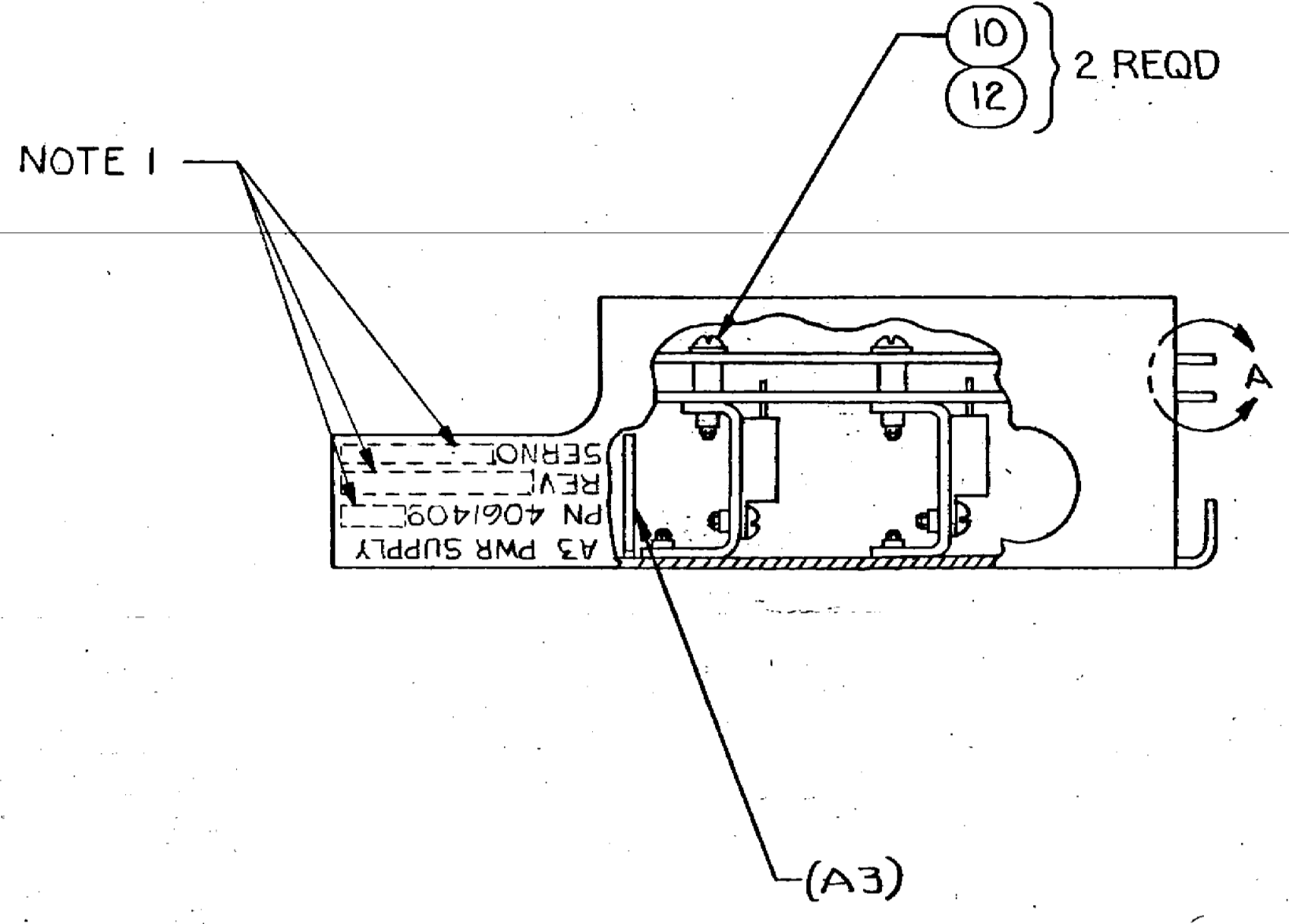
THIS DOCUMENT IS BEING FURNISHED IN CONFIDENCE BY HONEYWELL INC. THE INFORMATION DISCLOSED HEREIN FALLS WITHIN EXEMPTION (b) (4) OF 5 USC 552 AND THE PROHIBITIONS OF 18 USC 1905.

IMPORTANT NOTICE
 The Avionics business units formerly owned by UNISYS Corp. and identified with the Sperry name or logo have been acquired by HONEYWELL INC. Publications, products, and components marked or identified herein with the Sperry name or logo are publications, products, and components of Honeywell Inc., Commercial Flight Systems Group, Phoenix, Arizona. All references to the Sperry name or logo should be taken as referring to Honeywell Inc.

ZONE	REV	DESCRIPTION	DATE	APPROVED
-	-	INITIAL RELEASE	20 MAR 91	B. Shog
A	-	SH IDX REV. PL NOT AFFECTED.	17 JUN 91	V. Pappalardo
B	-	ADDED DISCLAIMER NOTICE. SH IDX REV. PL NOT AFFECTED.	21 JAN 92	V. Pappalardo
C	-	NOTES: REVISE AND REWRITE NOTE 1. SH IDX REV. PL AFFECTED.	30 APR 92	V. Pappalardo

TABLE I (NOTE 6)
 BUS WIRE DATA TABLE

CONDUCTOR NO	ITEM NO	FROM CIRCUIT POINT	VIEWED FROM SIDE	TO CIRCUIT POINT	VIEWED FROM SIDE	REMARKS
201	705	A1E100	B	A3E100	A	NOTE 3
202	706	A1E101	B	A3E101	A	NOTE 3
203	707	A1E102	B	A3E102	A	NOTE 3
204	708	A1E103	B	A3E103	A	NOTE 3
205	709	A1E104	B	A3E104	A	NOTE 3
206	710	A1E105	B	A3E105	A	NOTE 3
207	711	A1E106	B	A3E106	A	NOTE 3



- NOTES:
1. INSERT APPLICABLE DASH NUMBER, REVISION LETTER, AND SER. NO. PER ITEM 703 METHOD N, BLACK AND ITEM 702.
 2. ASSEMBLE AND SOLDER PER ITEM 702.
 3. COAT SOLDERED CONNECTIONS OF BUS WIRE ON SIDE A AND SIDE B OF ITEMS 3 AND 5 AND COAT SOLDER CONNECTIONS OF FLEX CABLE ON SIDES A AND B OF ITEM 4 PER ITEM 701.
 4. ATTACH FLEX CABLE OF A1 TO A2, PER ITEM 702, AND COAT CONNECTIONS ON BOTH SIDES PER ITEM 701.
 5. APPLY COMPOUND PER ITEM 704 TO THREADS OF ITEMS 7 AND 9, AS INDICATED.
 6. WIRE PER ITEM 702 AND TABLE I.

REV STATUS OF PARTS LIST SHALL BE SAME AS BASIC DRAWING NUMBER SEE SEPARATE PARTS LIST

TABLE OF QTY PER DASH NO.	ITEM NO.	QTY REQD	CASE CODE	NUMBER	PART OR IDENTIFYING NUMBER	NOMENCLATURE	DESCRIPTION	CODE		
SPECIAL SYMBOLS: X NO SPECIFIC QUANTITY REQUIRED (QTY TABLE) * ORIGINAL CONFIGURATION (QTY TABLE) A MATERIAL CODE (NOT A DWG) - NOT APPLICABLE (QTY TABLE)				FIND (ITEM NUMBERS): 1 TO 499 ITEM NO. SERIES - ASSEMBLY OR DETAIL ITEMS 500 ITEM NO. SERIES - AW/PS CRITICAL ITEMS 600 ITEM NO. SERIES - SPECIAL CONFIGURATION CONTROL ITEMS 700 ITEM NO. SERIES - REF DOCUMENTS AND BULK OR SUNDRY ITEMS 800 ITEM NO. SERIES - EMP/RADIATION HARD ITEMS				CODE LEGEND (FOR REFERENCE ONLY) 1 SELECT AT ASSEMBLY (FIRST SELECT ITEM) 2 SUBSEQUENT SELECT ITEMS 3 ASSEMBLY 4 BULK OR SUNDRY ITEM 5 REFERENCE DOCUMENT		
MFG REF NO. DPA NO. DC 30644				MATERIAL DESIGNATION				REVISION INDEX		
PRODUCT LINE NO. 3834				MILITARY DESIGNATION				DRAWN BY DATE		
AW/PS ANALYSIS EB 4055000				PROCESS, FINISH, SEE 00.00.				CHECKED BY DATE		
REF DWG REF SPEC				ITEM CODE (PER EB699304) 3				DESIGNED BY DATE		
NEXT ASSY USED ON (SYS)				PROCESS, FINISH, SEE 00.00.				APPROVED FOR DATE		
APPLICATION				FINISH				APPROVED FOR DATE		
4061400-904 4061400-904				DWC CLASS A				FIRST USED ON DATE		
4061400-903 4061400-903				SCALE 1/1				UNIT WT		
				DRAWING NO. 4061409-903				REV C		
				SHEET 1 OF 10						

OPERATIONAL NOTE
 SIMILAR ASSEMBLY

Honeywell COMMERCIAL FLIGHT SYSTEMS GROUP
 PHOENIX, ARIZONA

TITLE: ELECTRONIC COMPONENTS ASSEMBLY-TRANSPONDER POWER SUPPLY

A1 SUBASSEMBLY

ELECTRICAL PARTS LIST

PART NO.	REF DES	TOL	RATING	SHEET NO.
3718332-149	C1	±10%	500V	6
7000041-117	C2	+100% -10%	250V	6
3718332-149	C5	±10%	500V	6
3718332-149	C6	±10%	500V	5
4051889-21	C8	±10%	10V	6
4051889-21	C9	±10%	10V	6
4051889-21	C10	±10%	10V	6
4051889-21	C11	±10%	10V	6
4051889-21	C12	±10%	10V	6
3718332-49	C13	±10%	200V	5
4051889-52	C14	±20%	20V	5
4006200-61	C15	±10%	100V	5
4051889-85	C16	±20%	50V	6
7000041-65	C17	+100% -10%	40V	5
4051889-21	C18	±10%	10V	6
4051889-85	C19	±20%	50V	6
4051889-65	C20	±20%	35V	5
4051889-65	C21	±20%	35V	6
4051889-65	C22	±20%	35V	5
4051889-65	C23	±20%	35V	6
4051889-65	C24	±20%	35V	5
4051889-65	C25	±20%	35V	6
4051889-65	C26	±20%	35V	5
4051889-65	C27	±20%	35V	6
3718332-149	C28	±10%	500V	5
3718332-149	C29	±10%	500V	5
2501212-41	C30	+75% -10%	75V	6
4051889-65	C31	±10%	35V	5
4006200-85	C32	±10%	50V	6
4051889-21	C33	±10%	10V	6
4006200-61	C34	±10%	100V	6
4006200-61	C35	±10%	100V	6
4006200-61	C36	±10%	100V	6
4006200-61	C37	±10%	100V	6
4006200-61	C39	±10%	100V	6
4051889-85	C40	±20%	50V	6
4006200-61	C41	±10%	100V	6
4006200-61	C42	±10%	100V	6
4006200-61	C43	±10%	100V	6
3718332-149	C44	±10%	500V	6
4006200-61	C45	±10%	100V	5
4006497-202	CR1			6
4006497-202	CR2			6
4067481-745	CR3			6
7009216-819	CR4			6
4031353-503	CR5			6
4006497-202	CR6			6
4031353-503	CR7			6
4031353-102	CR8			6
4031353-102	CR9			6
4006497-202	CR10			5
4031353-101	CR11			6
7009216-819	CR12			5
4031353-504	CR13			5
4006497-202	CR14			5
4006497-202	CR15			5
4006497-202	CR16			5
4006497-202	CR17			5

A1 SUBASSEMBLY (CONTD)

ELECTRICAL PARTS LIST

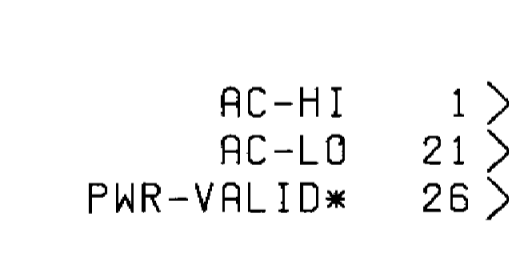
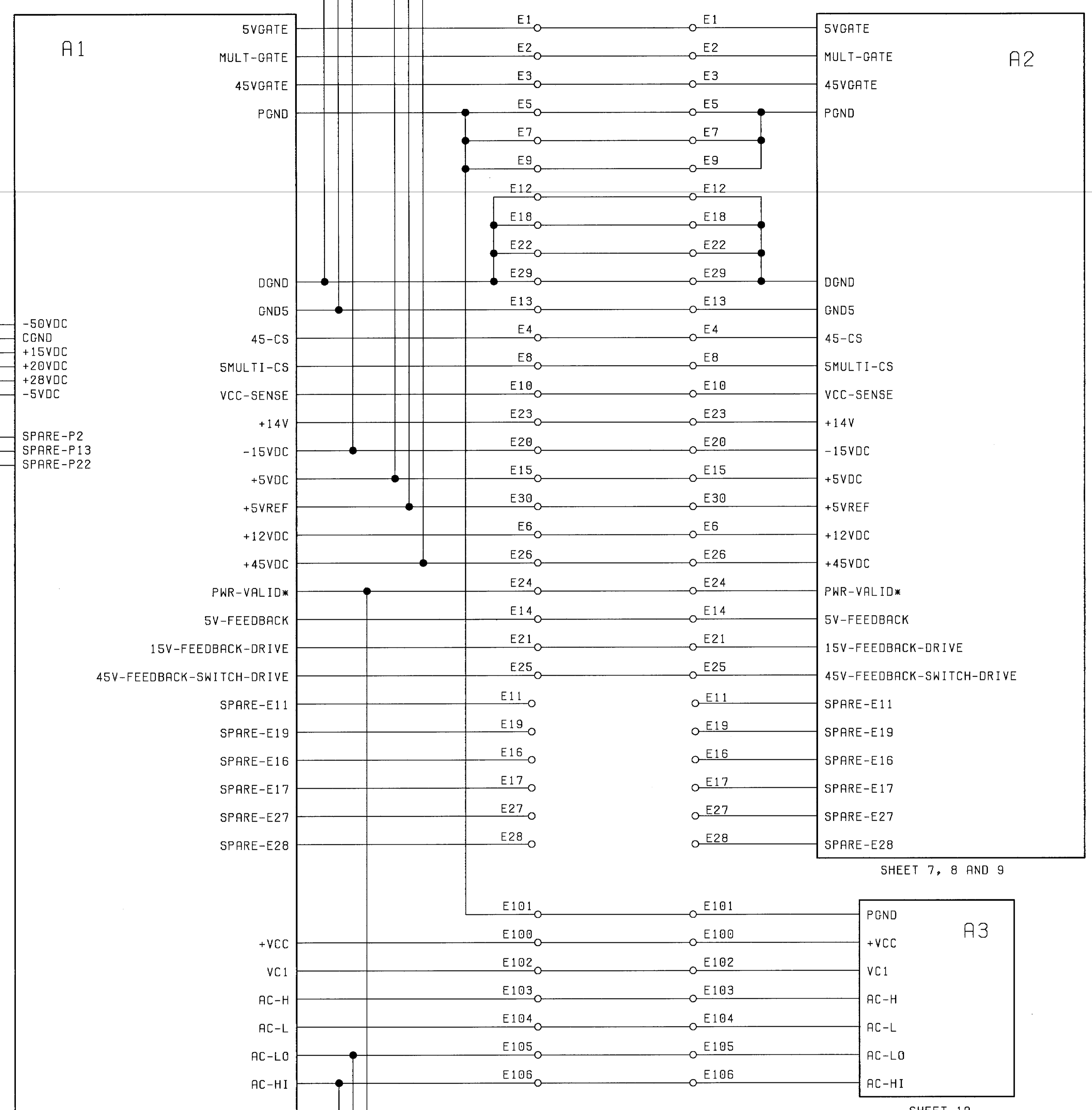
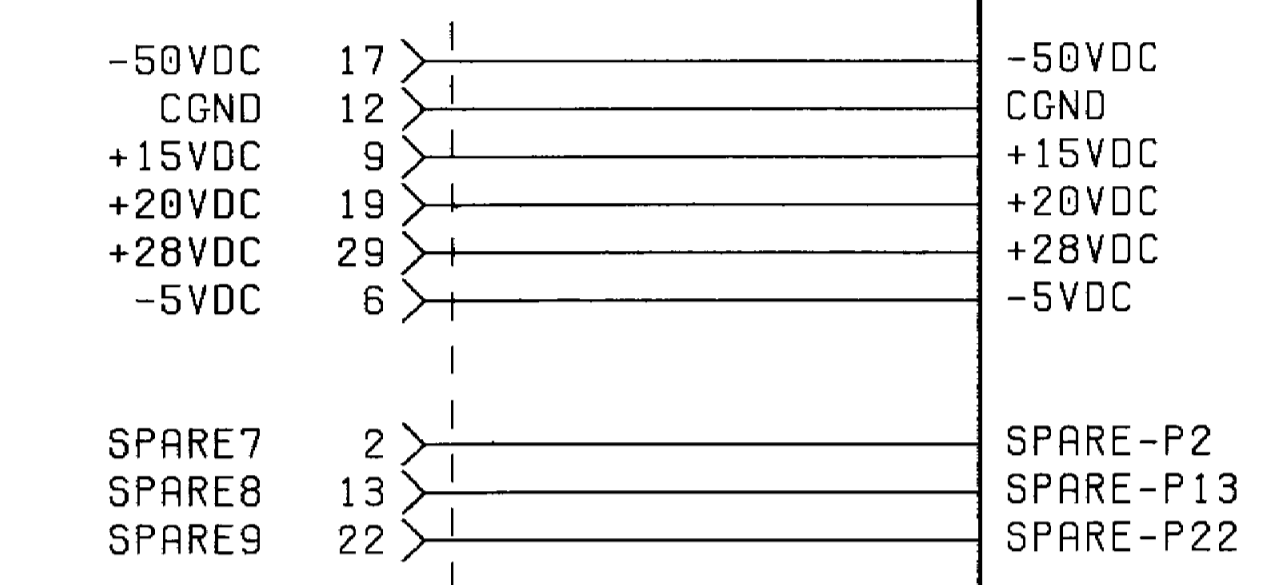
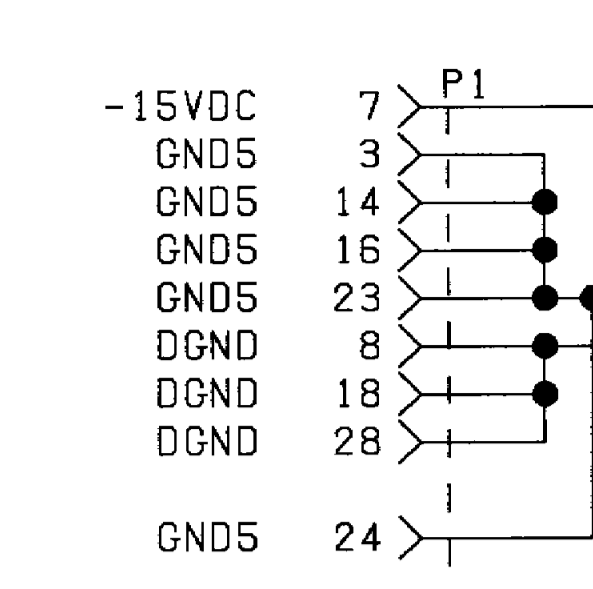
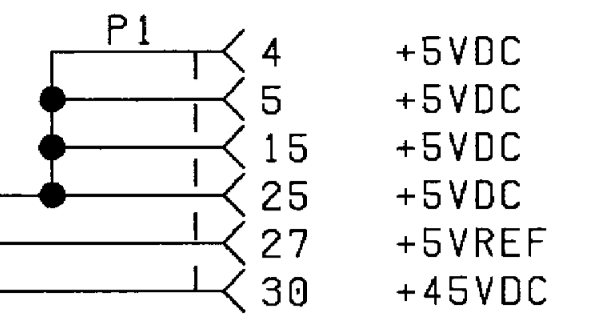
PART NO.	REF DES	TOL	RATING	SHEET NO.
2503517-101	CR19			5
4006497-202	CR21			5
4006497-202	CR22			5
4031353-504	CR23			5
4055136-2	L1			6
7007628-30	PI			5
4066990-700	Q1			6
4066990-700	Q2			6
4066990-700	Q3			5
4002240-102	Q4			5
2500169-633	R1	±0.5%	1/8W	6
2504364-73	R2	±2%	1/4W	6
337708-33	R3	±5%	3W	5
2504364-73	R4	±2%	1/4W	6
2504364-73	R5	±2%	1/4W	5
4006404-12	R9	±1%	1W	5
4006404-18	R10	±1%	1W	6
4006404-97	R11	±1%	1W	5
4006404-97	R12	±1%	1W	5
4057411-1	R13	±1%	1W	6
2504364-49	R14	±2%	1/4W	5
2504364-84	R15	±2%	1/4W	6
2500932-97	R16	±5%	1/4W	5
2500932-97	R17	±5%	1/4W	5
4006404-47	R18	±1%	1W	6
4004090-421	R19	0.1%	1/8W	5
4004090-133	R20	0.1%	1/8W	5
4061429-1	T1			6
4061428-1	T2			6
4061431-1	T3			5
4061430-1	T4			5
4039487-227	UI			5
2504035-209	VR1			5
2586252-583	VR2			6

A3 SUBASSEMBLY

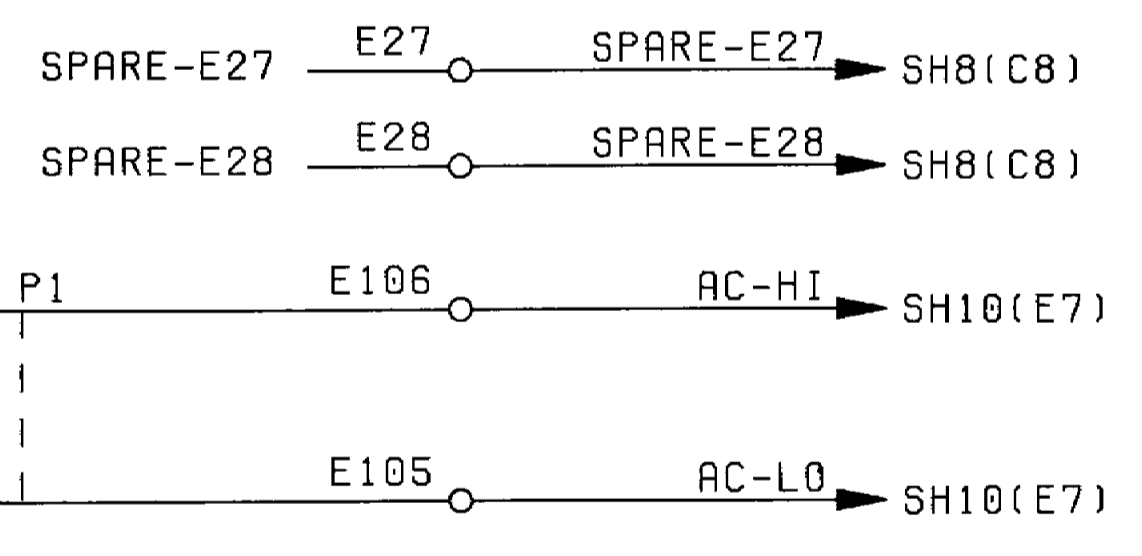
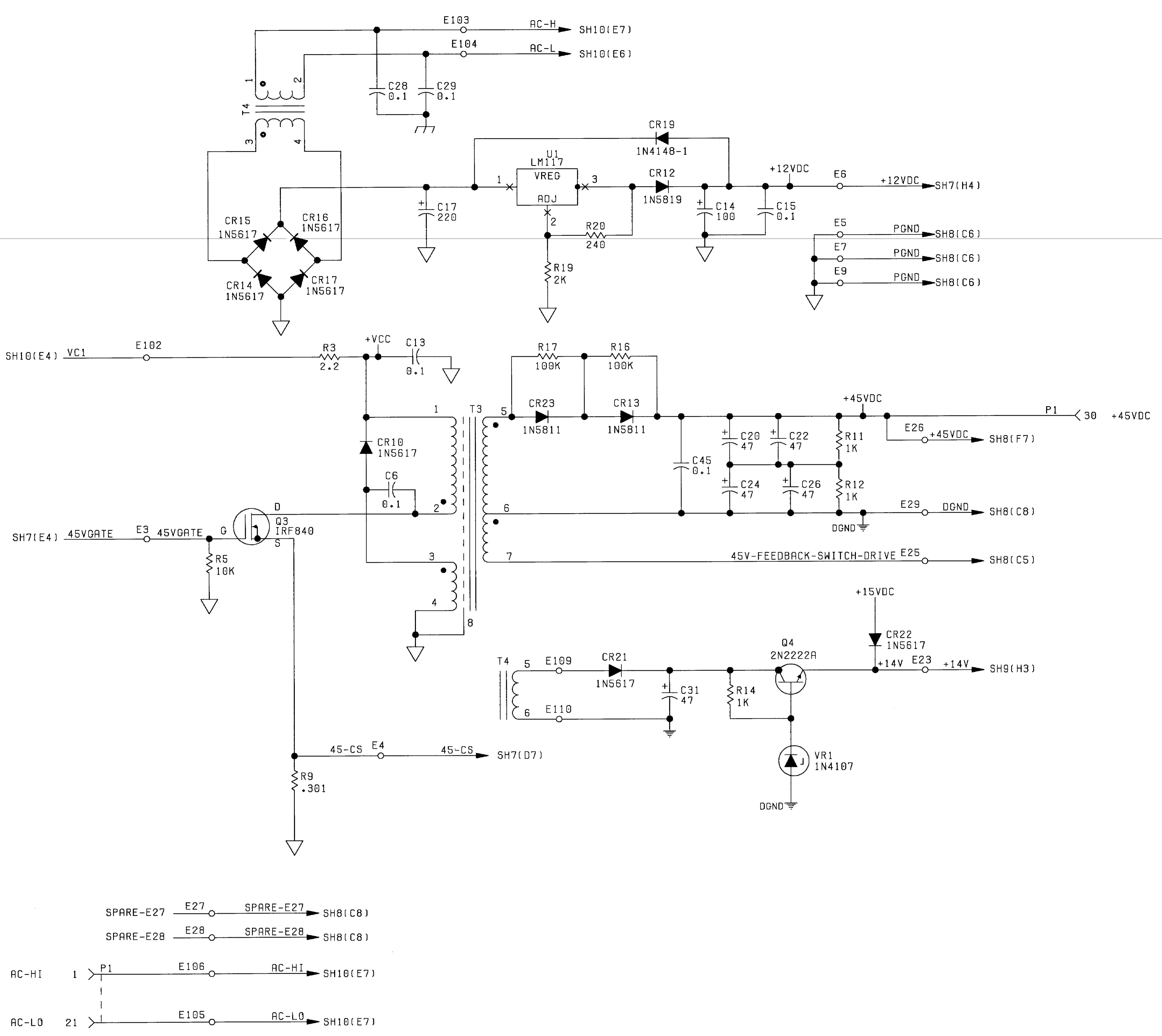
ELECTRICAL PARTS LIST

PART NO.	REF DES	TOL	RATING	SHEET NO.
7000041-302	C1			10
7000041-302	C2			10
3718332-149	C3			10
3718332-149	C4			10
4024472-205	CR1			10
4024472-205	CR2			10
4024472-205	CR3			10
4024472-205	CR4			10
4061418-1	L1			10
4061420-1	L2			10
4061421-1	L3			10

REVISIONS		DATE	APPROVED
ZONE	REV		
A		17 JUN 91	V. FRESNELL S. RAYBURN J.B.K.
DESCRIPTION		EXTENSIVELY REVISED.	
897105(M)			

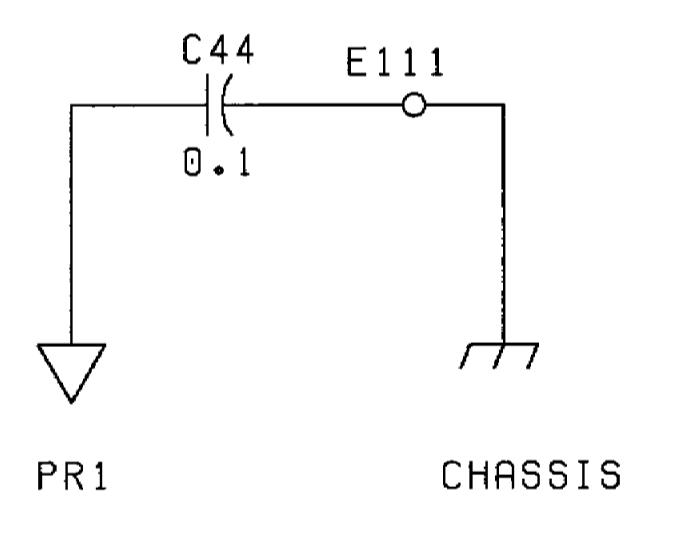
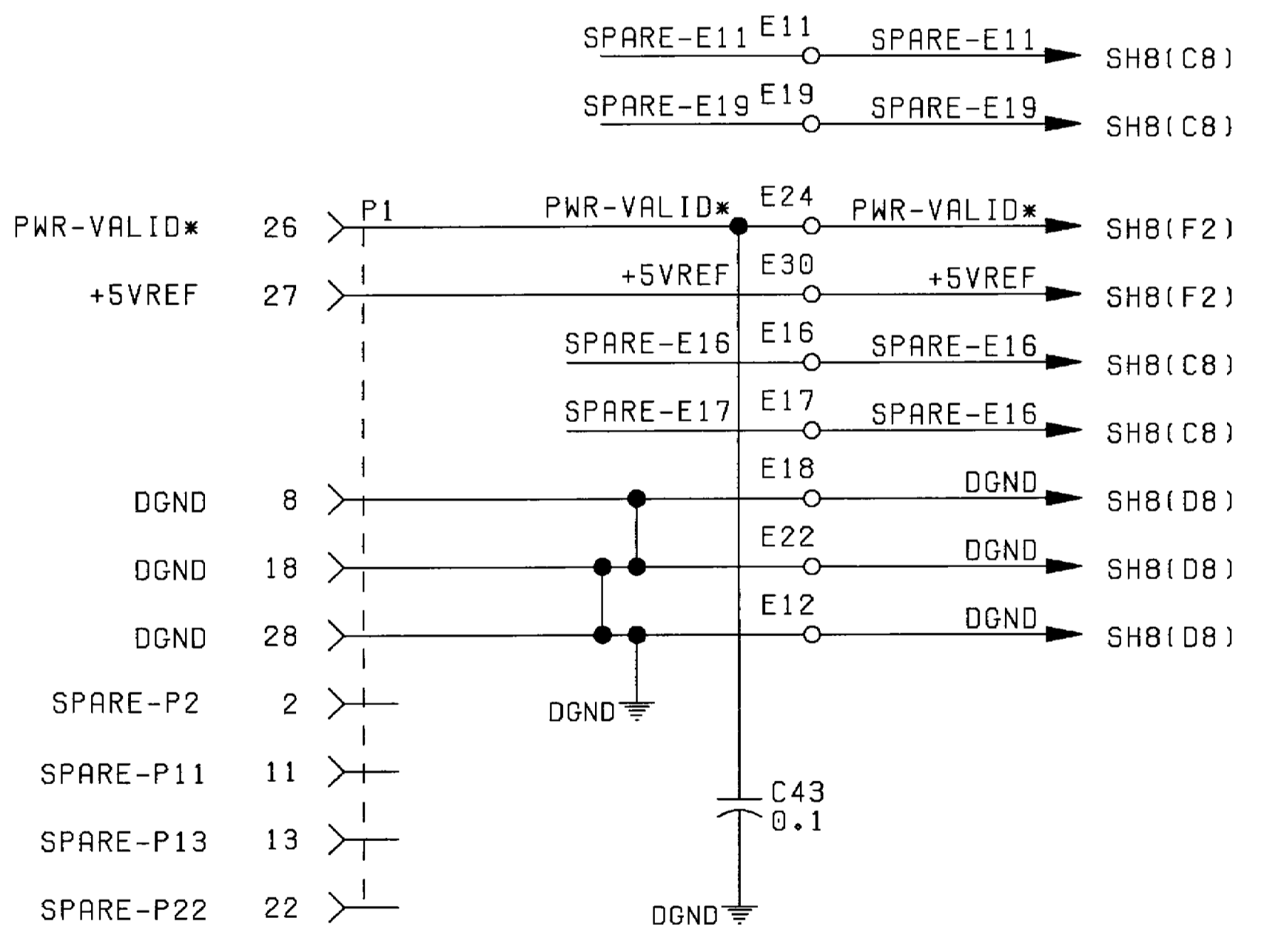
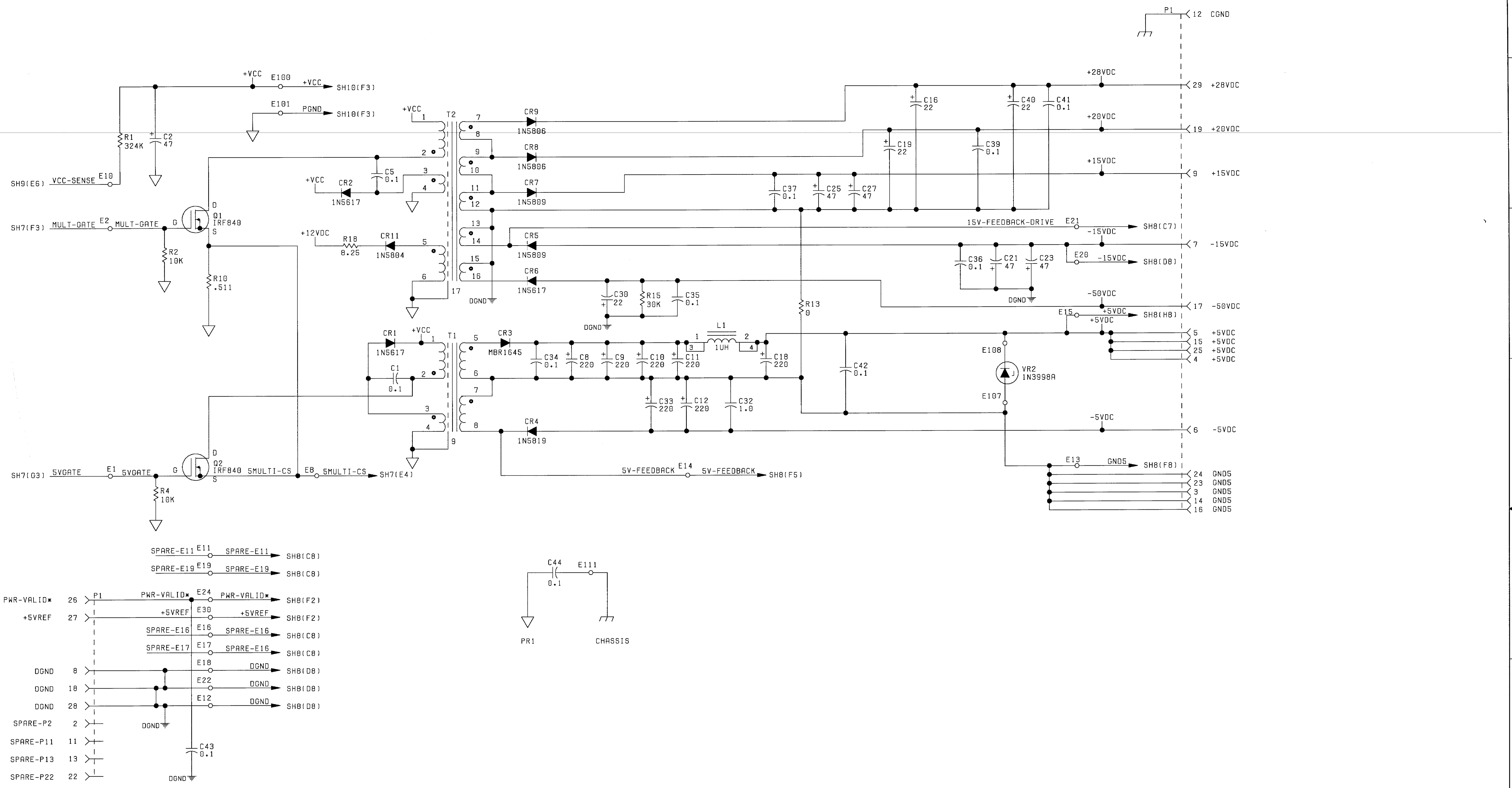


REV		DESCRIPTION	DATE	APPROVED
A		EXTENSIVELY REVISED.	17 JUN 91	V. FRESNELL S. RAYBURN JBK



A1

REVOLUTIONS		DATE	APPROVED
ZONE	REV		
A		17 JUN 91	V. P. RENELL S. RAYBURN J.B.K.
DESCRIPTION			
EXTENSIVELY REVISED.			
0971851M1			



A1

REVISIONS					
ZONE	REV	DESCRIPTION	DATE	APPROVED	
A		EXTENSIVELY REVISED.	097105(M)	17JUN91	V. PRESNELL S. RAYBURN J.B.K.
E4	B	C54 WAS 47PF	33151(M)	21 JAN 92	B. WIRANOWSKI B. EHLEWSKI D. P. ...

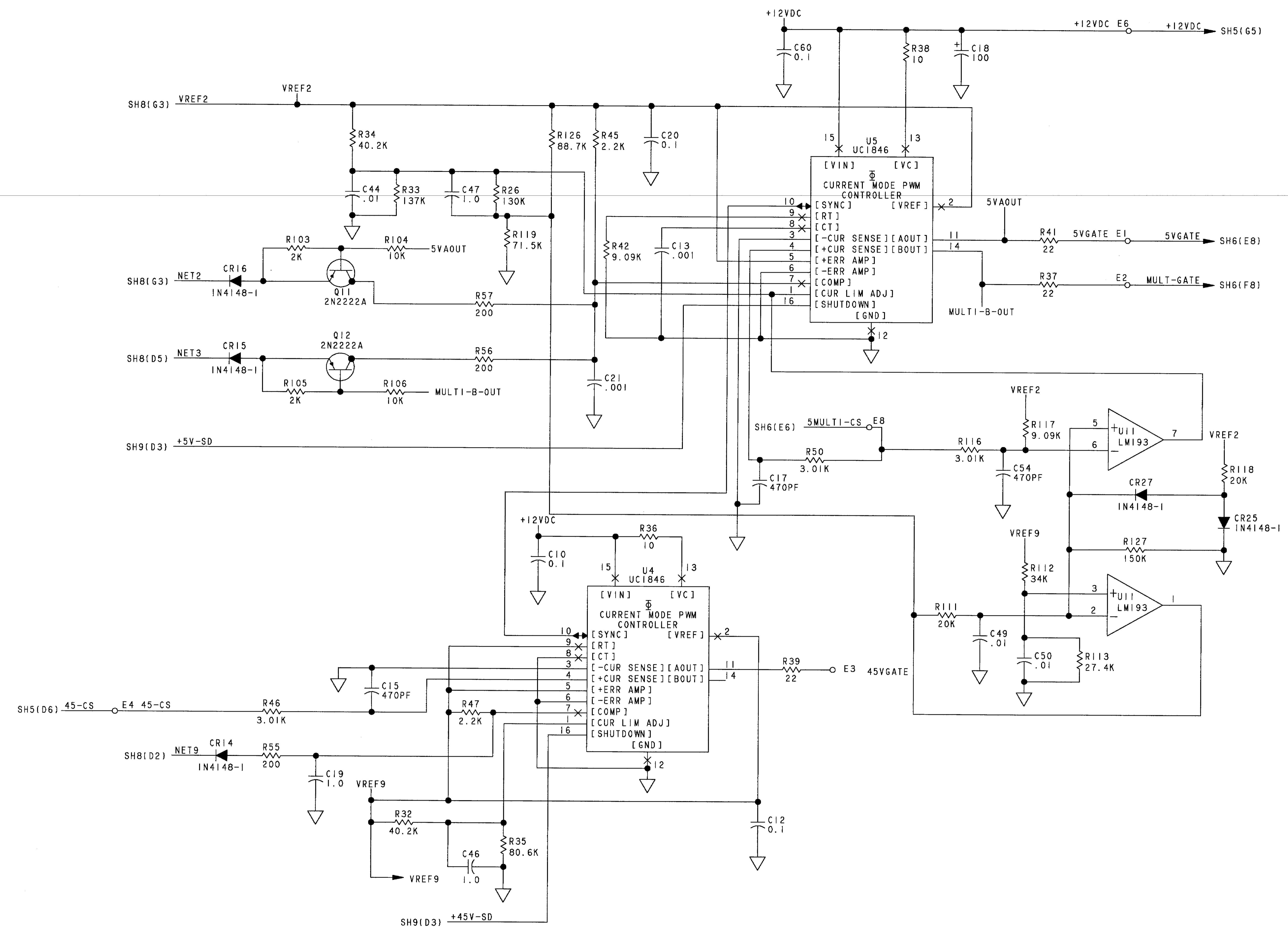
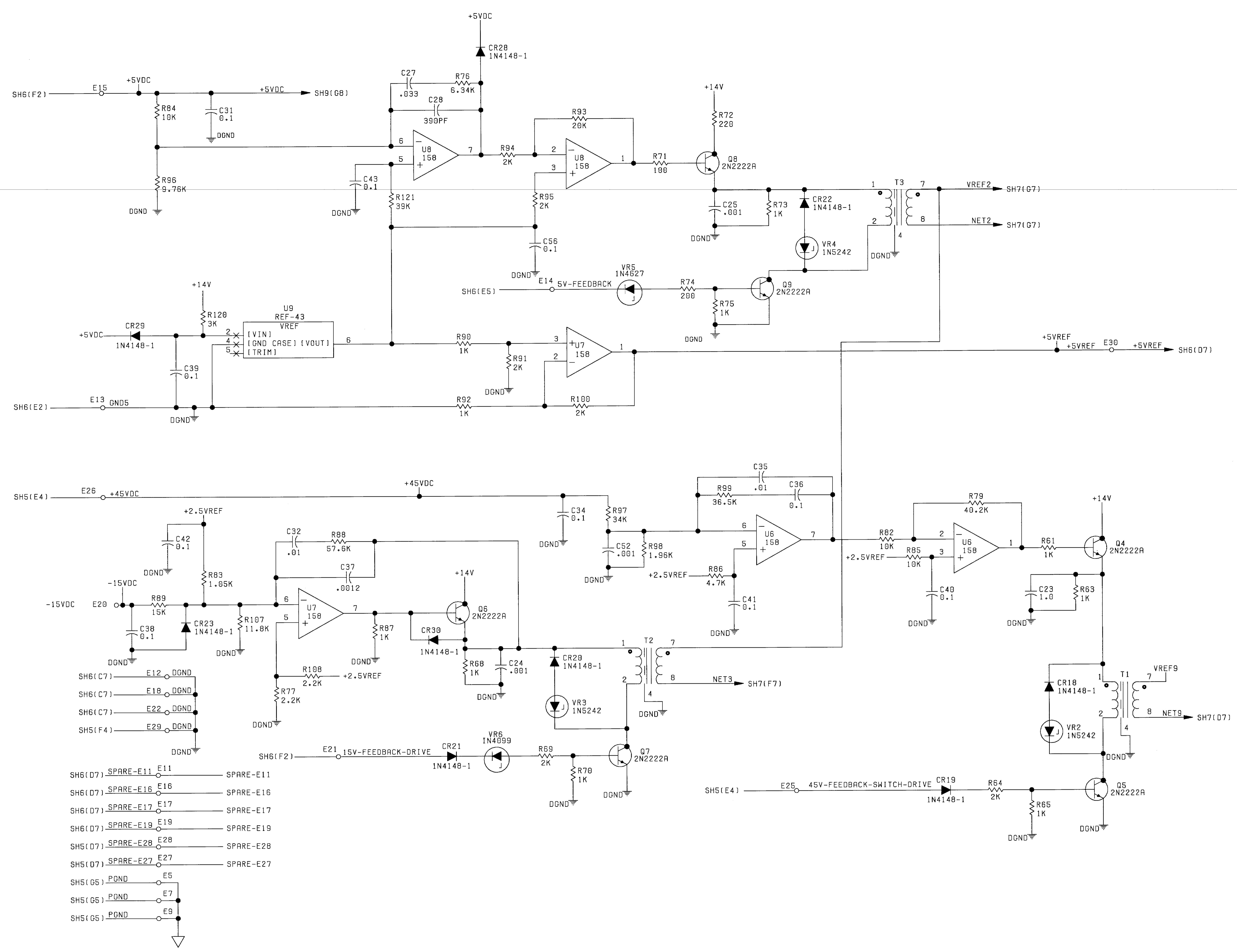


TABLE I

REF DES	GND PINS			PWR PINS	
	DGND	PGND		+12VDC	+14V
U3	3				1
U6	4				8
U7	4				8
U8	4				8
U11		4		8	

A2

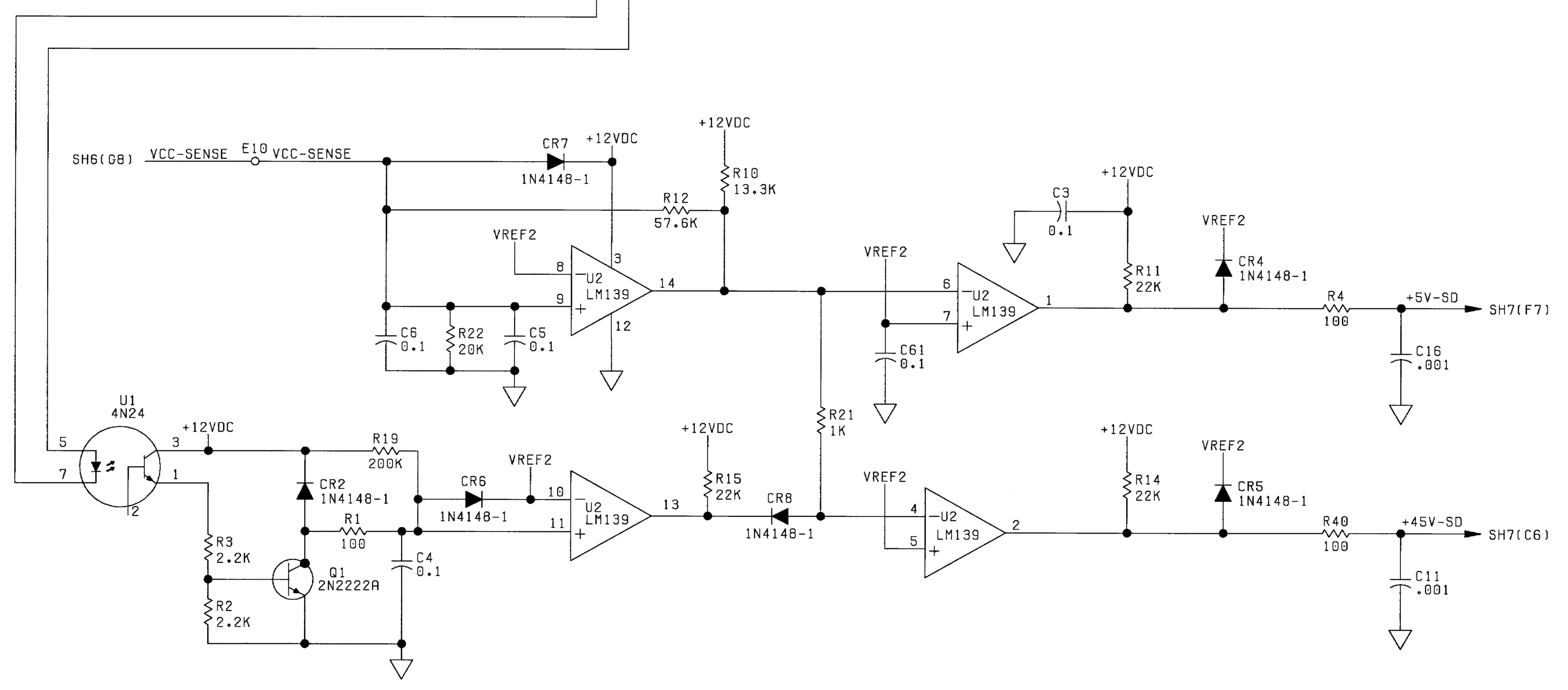
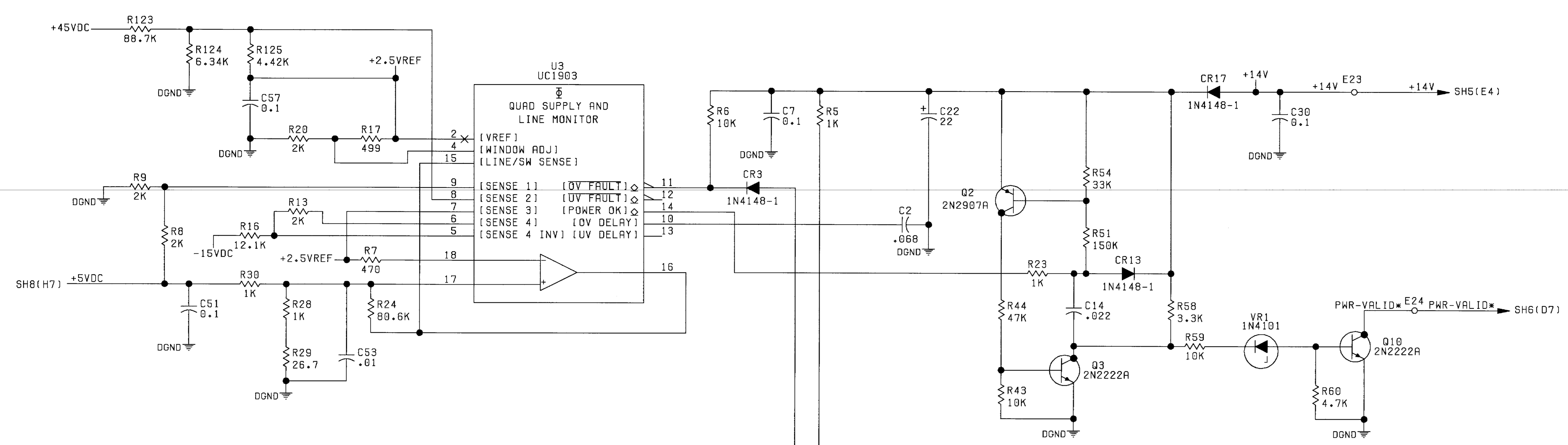
REV. NO.		DESCRIPTION	DATE	APPROVED
A	1	EXTENSIVELY REVISED.	17 JUN 91	V. RESNELL S. RAYBURN J.B.K.



A2

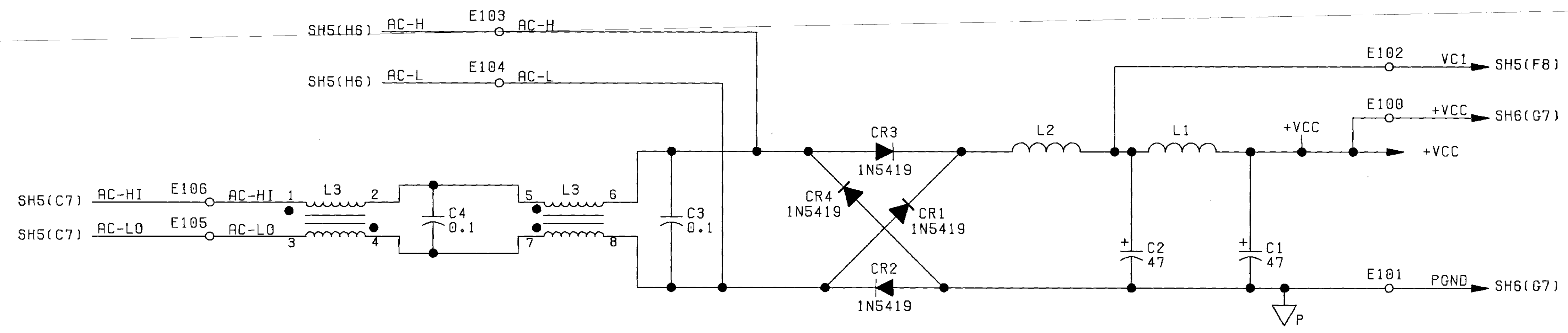
4061409-903
 SHEET 8

REVISIONS				
ZONE	REV	DESCRIPTION	DATE	APPROVED
A		EXTENSIVELY REVISED.	17 JUN 91	V. FRENELL S. RAYBURN J.B.K.
			097185(M)	



A2

ZONE		REV	DESCRIPTION	DATE	APPROVED
A			EXTENSIVELY REVISED.	17 JUN 91	V. PRESNELL S. RAYBURN JBK
097185(M)					



A3

DRAWN: 4061409-903 SH 10