



SETUP PHOTOS EXHIBIT

Report Number: R13244152-E3

Applicant : Covidien LLC
15 Hampshire Street
Mansfield, MA 02048 USA

Model : DS1.2

CONTAINS FCC ID : P7G-DS1

CONTAINS IC : 23825-DS1

EUT Description : Multimedia device

Test Standard(s) : FCC 47 CFR Part 15 Subpart E (EXCEPT DFS)
ISED RSS-247 Issue 2
ISED RSS-GEN Issue 5

Date Of Issue:
2020-08-19

Prepared by:
UL LLC
12 Laboratory DR.
Research Triangle Park, NC 27709 USA
TEL: (919) 549-1400

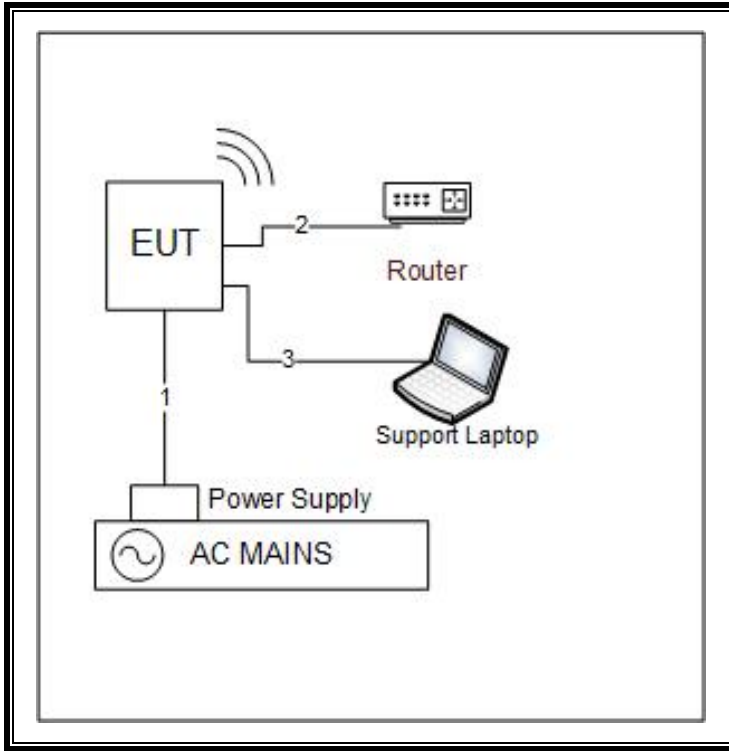
REPORT REVISION HISTORY

Ver.	Issue Date	Revisions	Revised By
1	2020-07-31	Initial Issue	Brian T. Kiewra
2	2020-08-19	Updated title page	Niklas Haydon

TABLE OF CONTENTS

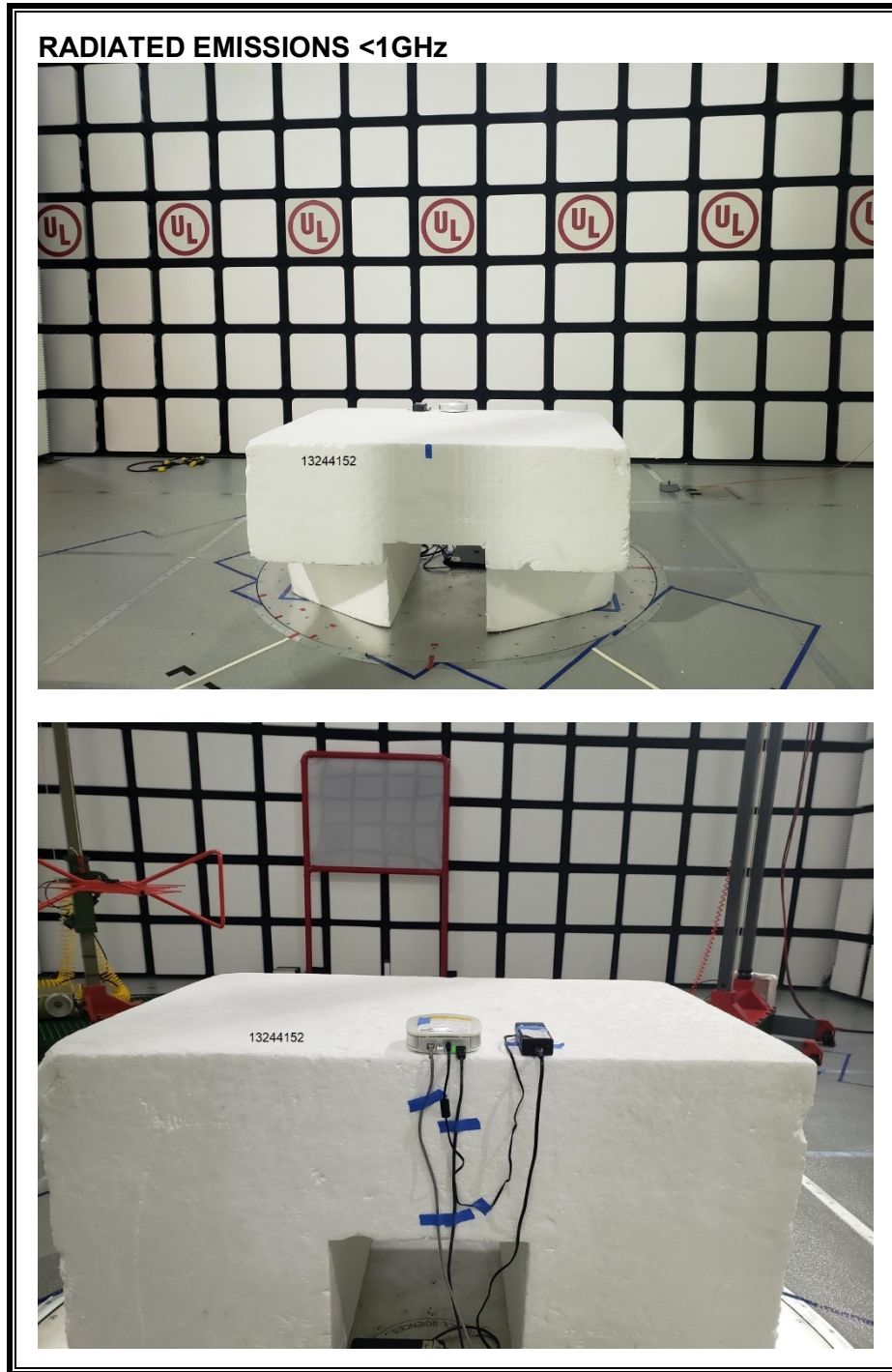
REPORT REVISION HISTORY	2
TABLE OF CONTENTS	3
1. SETUP DIAGRAM.....	4
2. SETUP PHOTOS.....	5
END OF TEST REPORT	7

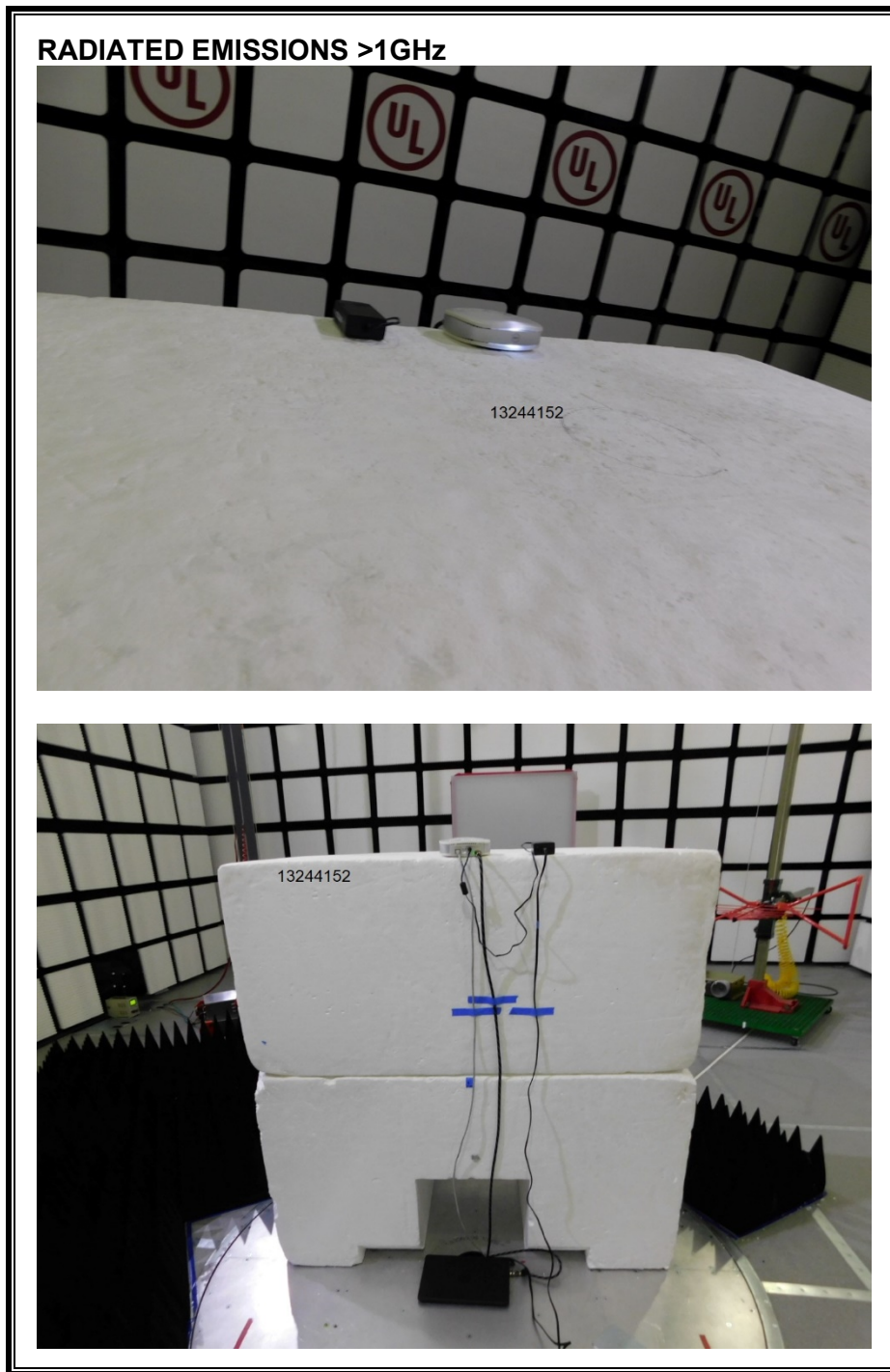
1. SETUP DIAGRAM



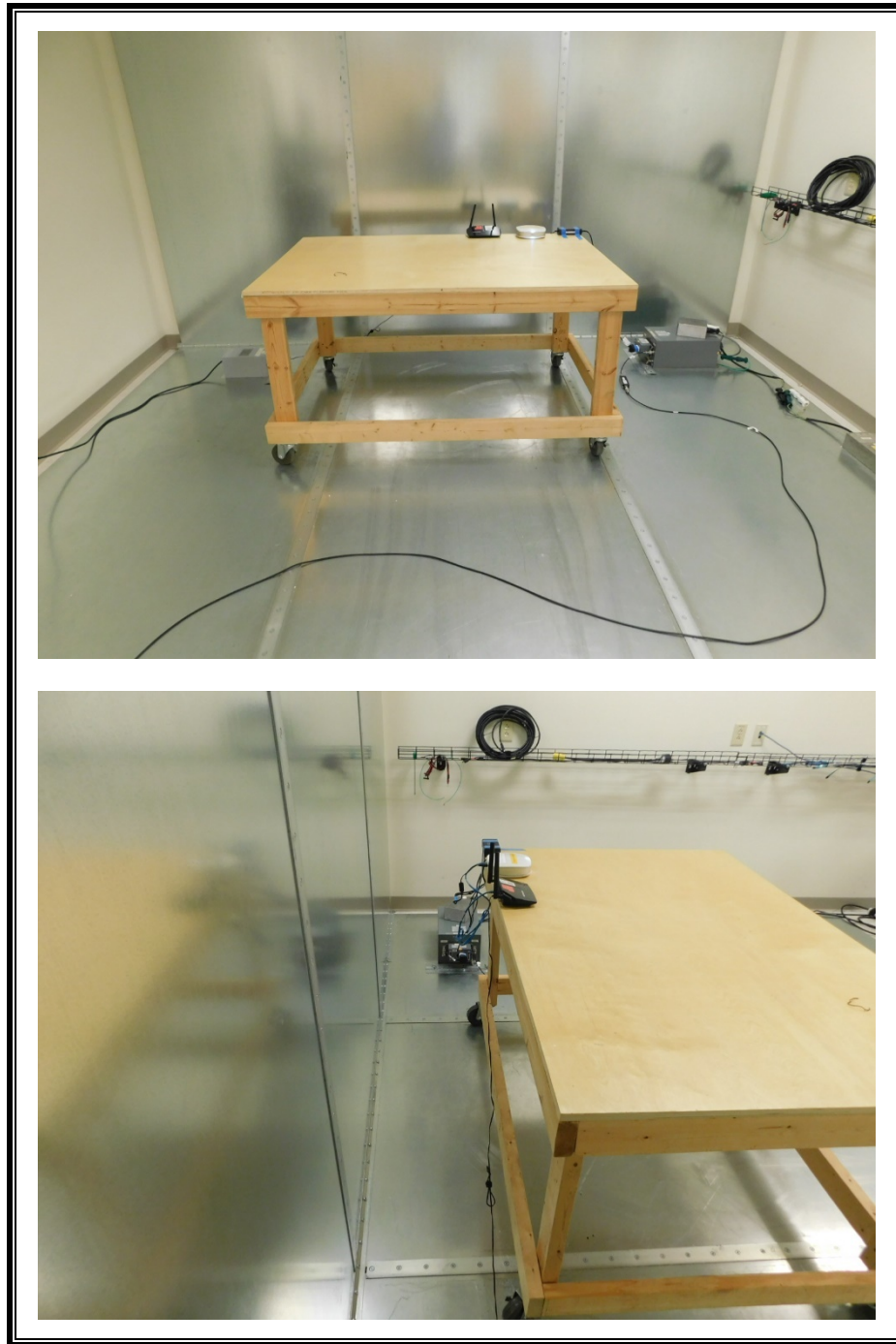
2. SETUP PHOTOS

RADIATED EMISSIONS SETUP





AC LINE CONDUCTED EMISSIONS SETUP



END OF TEST REPORT