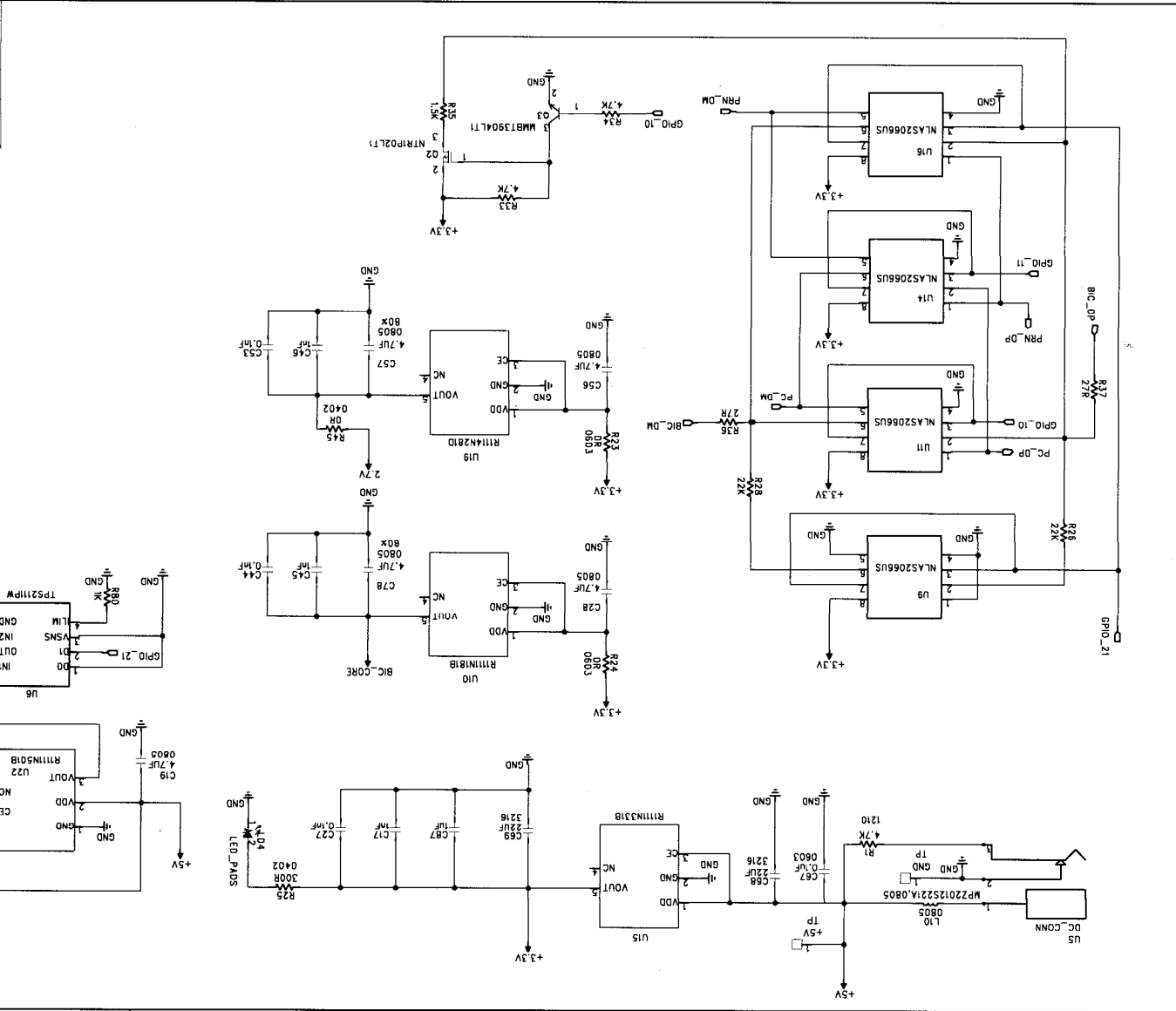
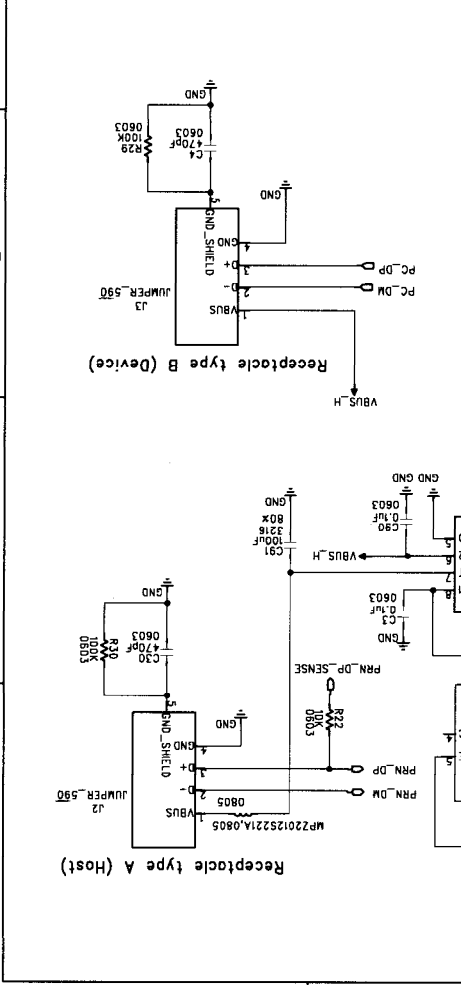


Title: 2nd Printer Adapter		Project NO. B0723-1E-1A1		Model NO. BT-PA	
Size: A3		Sheet 1 of 3		Date: 2004/9/15	
Prepared By: ethachen		Approved:			
NO. 5-1 Innovation Rd., Science-Based Industrial Park, Hsinchu, Taiwan R.O.C. Tel: 886-3-507-8877 Fax: 886-3-563-2233					



A B C D

1 2 3 4 5 6