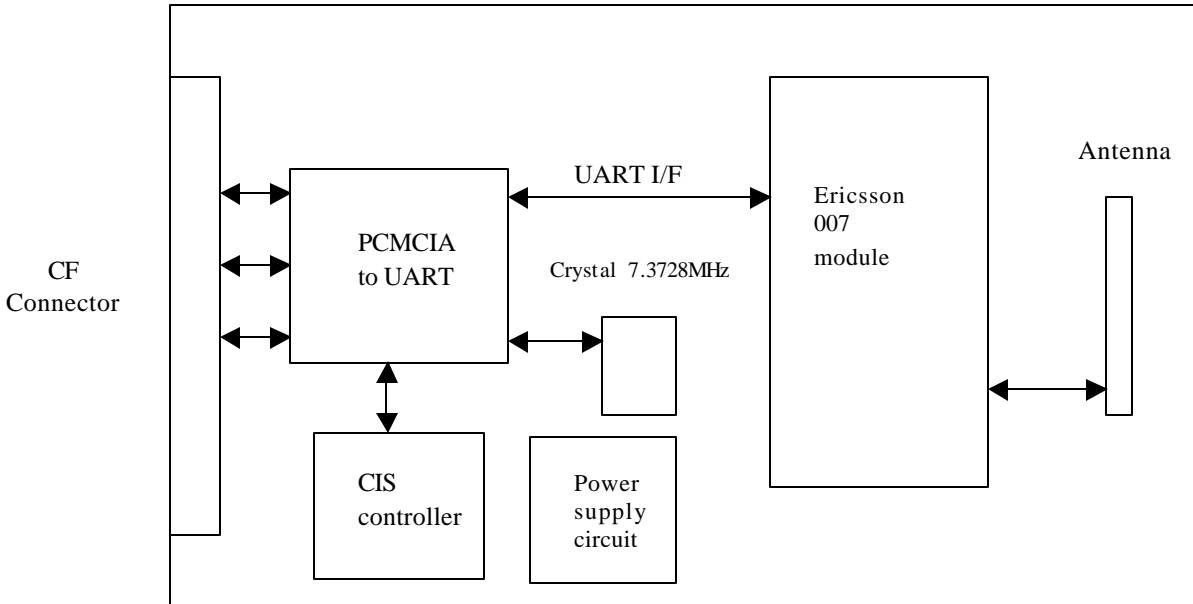




**1. AmbiCom BT CF Card:**

**Block diagram:**



**Component List:**

Digital		Vender
Power Supply IC	REG102-33	Burr-Brown
BT Module	ROK 101 007	Ericsson
PCMCIA to UART	OX16CF950	Oxford
CIS Controller	AT93C66	ATmel
Antenna	100902-101	RangStar