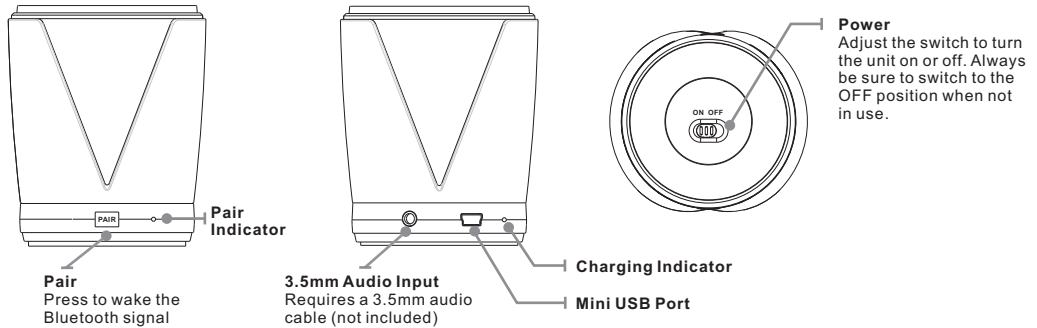


Introduction



Power



USB Power

Requires a Mini USB to USB cable (included).

Note: PC must not be in sleep mode.

Initial charge time 4 hours using USB cable. Please make sure the unit is fully charged before use.

Pairing a Bluetooth Device

1. Turn on the unit. The **Pairing Indicator** will flash blue quickly.
When pairing, remain within 3 feet of the unit.
2. Using the native controls on your Bluetooth device, select the "BTS68" in your Bluetooth settings to pair.
3. When successfully paired and connected, the **Pairing Indicator** will display a solid blue light and a beep will sound from the unit.
After initial pairing, the unit will stay paired unless unpaired manually by the user or erased due to a reset of the device.

Playing Audio Wirelessly

1. Follow the instructions for **Pairing a Bluetooth Device**.
2. Use the native controls on the connected Bluetooth device to select a track.
3. To play, pause or skip the selected track, use the native controls on the connected Bluetooth device.
4. Audio played through the connected Bluetooth device will now be heard through the speakers.
5. To adjust the volume, use the native controls on the connected Bluetooth device.

Using the 3.5mm Audio Input

1. Plug one end of a 3.5mm audio input cable (not included) into the 3.5mm Audio Input on the unit.
2. Plug the other end of the cable into the audio output/headphone output on an MP3 Player or other audio source.
3. Turn the unit on.
4. Audio played through the connected device will now be heard through the speakers.

Note: Any audio being played through a connected Bluetooth Device will cease once the 3.5mm Audio source is connected.

Charging Indicator Light

Status	Indicator
Power Off	No light
Charging	Red light
Fully Charged	No light

Pairing Indicator Lights

Status	Pairing Indicator
Power Off	No light
Ready to Pair	Quickly flashing blue light
Bluetooth Connected	Blue light

NOTE:

Changes or Modifications not expressly approved by the party responsible could void the user's authority to operate this device.

NOTE: This equipment has been tested and found to comply with the limits for a Class B digital device, pursuant to Part 15 of the FCC Rules. These limits are designed to provide reasonable protection against harmful interference in a residential installation. This equipment generates, uses and can radiate radio frequency energy and, if not installed and used in accordance with the instructions, may cause harmful interference to radio communications. However, there is no guarantee that interference will not occur in a particular installation.

If this equipment does cause harmful interference to radio or television reception, which can be determined by turning the equipment off and on, the user is encouraged to try to correct the interference by one or more of the following measures:

- Reorient or relocate the receiving antenna.
- Increase the separation between the equipment and receiver.
- Connect the equipment into an outlet on a circuit different from that to which the receiver is connected.
- Consult the dealer or an experienced radio/TV technician for help.