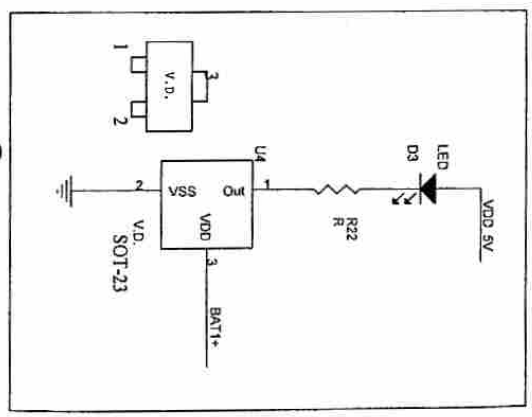
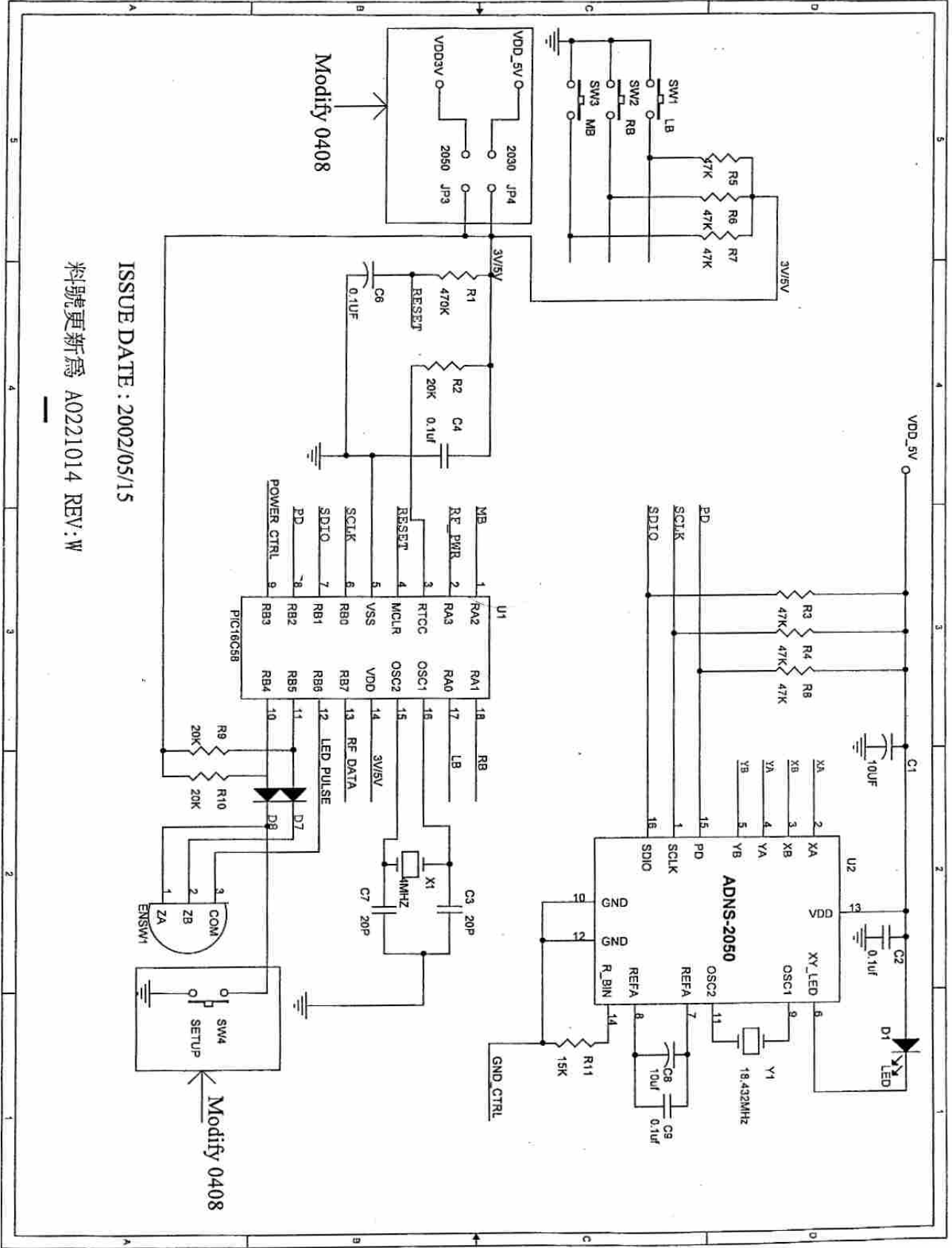


RP.



Title	
Size	A4
Document Number	PCB : A0221014
Date	Wednesday, May 15, 2002
Sheet	1 of 1
Rev	D



ISSUE DATE : 2002/05/15

料號更新為 A0221014 REV: W