

## FCC statement

This equipment has been tested and found to comply with the limits for a class B digital device, pursuant to Part 15 of the FCC Rules. These limits are designed to provide reasonable protection against harmful interference in a residential installation.

This equipment generates uses and can radiate radio frequency energy and, if not installed and used in accordance with the instructions, may cause harmful interference to radio communications. However, there is no guarantee that interference will not occur in a particular installation if this equipment does cause harmful interference to radio or television reception, which can be determined by turning the equipment off and on, the user is encouraged to try to correct the interference by one of the following measures:

- Reorient or relocate the receiving antenna.
- Increase the separation between the equipment and receiver.
- Connect the equipment into an outlet on a circuit different from that to which the receiver is connected.

To assure continued compliance, any changes or modifications not expressly approved by the party responsible for compliance could void the user's authority to operate this equipment. (Example-use only shielded interface cables when connecting to computer or peripheral devices).

## FCC Radiation Exposure Statement

This device complies with Part 15 of the FCC Rules. Operation is subject to the following two conditions:

- (1) This device may not cause harmful interference. and
- (2) This device must accept any interference received, including interference that may cause undesired operation.

# Wireless Optical Mouse B212



## User's Guide

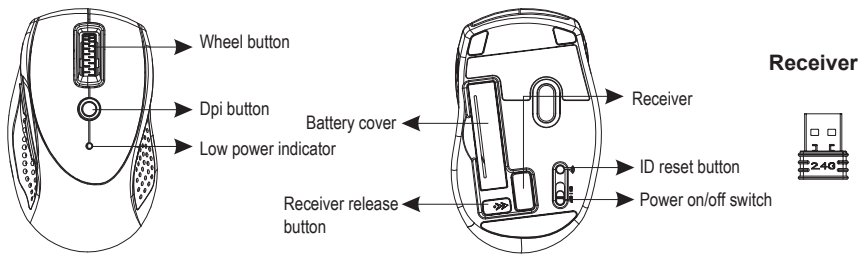
## Introduction

Congratulations on your purchase of the most innovative wireless mouse. With an incredible sensitivity to surface details and high tracking speed than other mice, the mouse can track reliably even on tricky polished or wood-grain surfaces. It offers even more advance that will make you more productive and more comfortable.

## Features

- 2.4GHz (distance 6~8m), 16 Channels/4096 ID
- Using state-of-art technology. High tracking speed and sensitivity.
- Nano receiver.
- Longer battery life.
- Auto-Link, Plug and Play! No need to set the channel ID.
- Power on/off switch.
- Ergonomic design.
- 800/1600 dpi switchable button.
- Rubber side grips.
- 2\*AAA Alkaline batteries included.

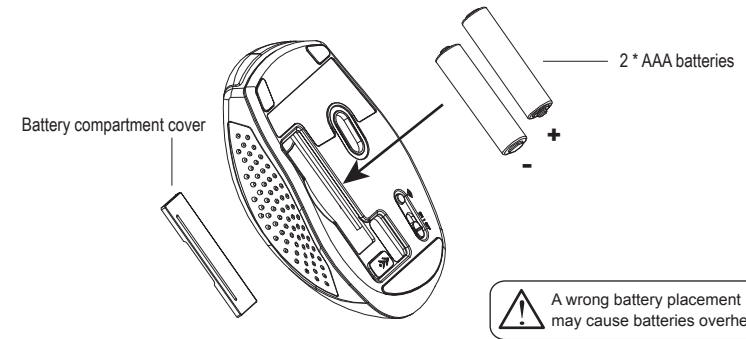
### Mouse



## A. Hardware Installation

### 1. Insert the batteries

- Remove the battery compartment cover on the bottom case of the mouse.
- Fit in the batteries accordingly to the diagram indicated in the battery cabinet.
- Close the battery compartment cover properly.
- Make sure the Power on-off switch on the bottom of the mouse is ON.
- The Low Power LED on the top case will blink 3 seconds if the mouse power is on.

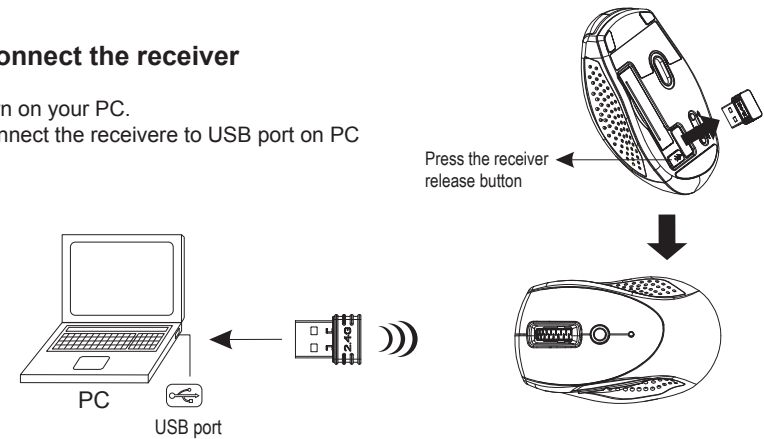


### ! Note

- The unit offers a strong power saving management. Once the mouse accesses the sleeping mode, " to click any button of the mouse" is compulsory to wake it up.
- **Power on/off:** There is a Power on/off switch designed to save the batteries power while non-usage of a longer period.
- User can push DPI button to change the resolution. The LED on top case will be flashed when dpi has been successfully swithced.

### 2. Connect the receiver

- Turn on your PC.
- Connect the receiver to USB port on PC



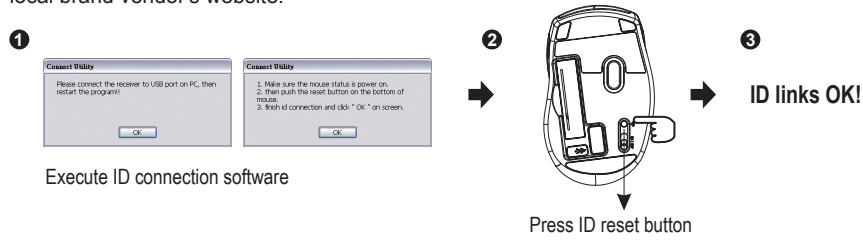
### 3. Communication : The mouse & the receiver

#### A. Auto-link mode

1. Make sure the Power On-Off Switch on the bottom of the mouse is ON.
2. Operate the mouse, and cursor's movement is mapping mouse movement. Now the mouse and the receiver is auto-linked successfully.

## B. Manual mode

If you find the communication channel does not connect well, you can use the software connection tool to re-connect the mouse & receiver **to reset a new channel ID**. You are able to get the software from the included diskette of the package or download from your local brand vendor's website.



### Note

- While the mouse is working, if encountering any interference, the mouse and the receiver will automatically source out and transfer to another free channel. During the transferring, the cursor movement may have a second delay.

## 4. Replace the new batteries

Please replace a pair of new batteries and follow the previous instructions. (2, 3)

### Note

- The red LED on the scroll wheel is the low batteries power indicator. It indicates that batteries inside the mouse are needed to be replaced.

## 5. Operation

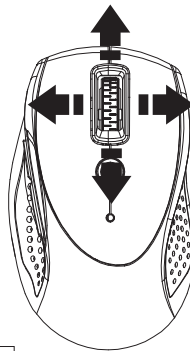
### 4-Way Scrolling:

#### a. Vertical Scrolling

Roll wheel up to scroll up; roll wheel down to scroll down.

#### b. Horizontal Scrolling

Hold the wheel to left to scroll left; hold the wheel to right to scroll right. Release wheel to stop scrolling function.



### Note

- The 4-Way scrolling function is only effective under successful installation of the original mouse driver. The driver is an optional item included in the package or it can be downloaded from the website of your local brand vendor.
- To function the 4-way scrolling in some applications in Window VISTA such as Word, Excel, PowerPoint and etc., the driver should be installed.

## B. Driver Installation

The mouse features plug & play. It is not necessary to install the driver to operate the mouse. The driver is an optional item included. However if the model purchased is with 4-Way Scrolling function, you may require the mouse software driver to make the 4-Way scrolling function effective.

### 1. Un-install or removing the current mouse driver

Before installing the driver of the mouse, we suggest that you check if any other mouse driver installed in your system. If yes, in order not to make conflict, please un-install or remove that driver before installing the mouse.

### 2. Install the mouse 4-Way Scrolling driver

- Select setup.exe to install the driver from the CD.
- or you can download the 4-Way Scrolling driver from vendor's website.

## ⊙ Trouble Shooting

- Make sure you have connected the receiver correctly to the computer's USB port.
- For the best performance, we suggest you to locate the receiver with a distance from other electrical devices, such as the computer, the computer monitor or external storage drives.
- Make sure you have set the communication between the receiver and the mouse. Refer to the Communication :The mouse and the receiver
- If you find the communication channel does not connect well. You can use the software connection tool to re-connect the mouse & receiver **to reset a new channel ID**. You are able to get the software from the included diskette of the package or download from your local brand vendor's website.
- Some system devices might conflict with the mouse. Confirm the IRQ/address settings of these devices for conflicts, and change the settings as required.
- Make sure that you are not working the mouse on glossy or reflective surfaces.

## ⊙ Battery use reminders

- Remove worn-out batteries from equipment immediately and dispose of promptly.
- Keep all batteries (used or new) out of the reach of children.
- To have the batteries with a regular check and replace new batteries if not used for a long time.
- Never dispose of batteries in fire, as they could explode.
- Always replace all the batteries at the same time. Mixing old and new batteries or mining types (such as alkaline with zinc carbon) will reduce overall performance and could cause leakage or rupture.
- Do not mix different types of batteries (e.g. Ni MH, NiCd, alkaline, and etc) in the mouse.
- Remove batteries from the electrical device if the device is not going to be used for a long time.
- If the performance of the batteries decreases substantially, it is time to replace the batteries.