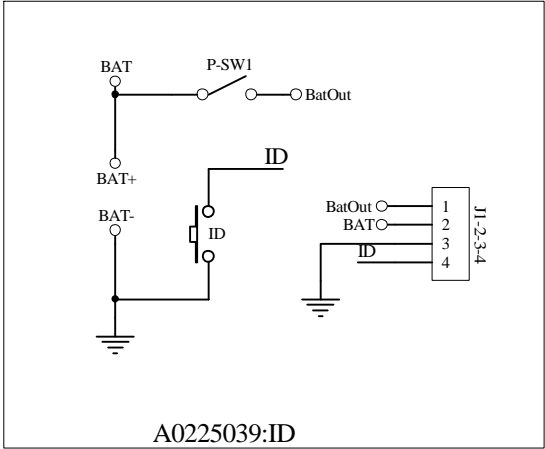
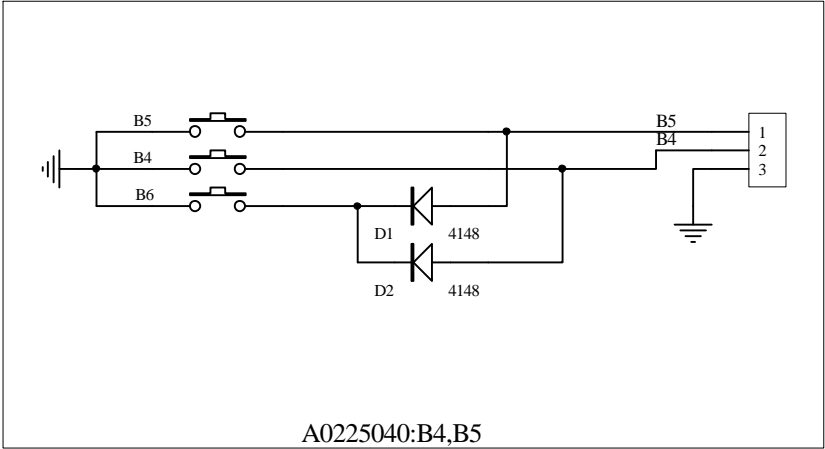
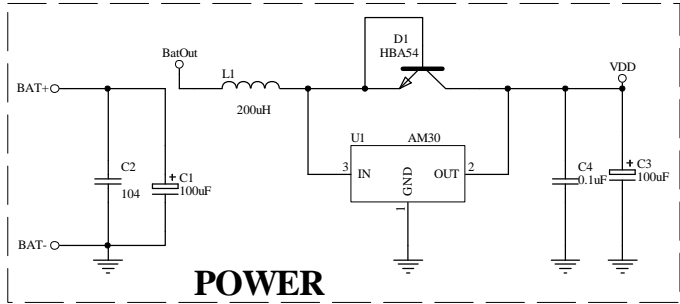


Title		
L111 Laser:A7050		
Size	Number	Revision
A4		V1.0
Date:	23-Dec-2006	Sheet of
File:	C:\Documents and Settings\Administrator\All Products.ddb	

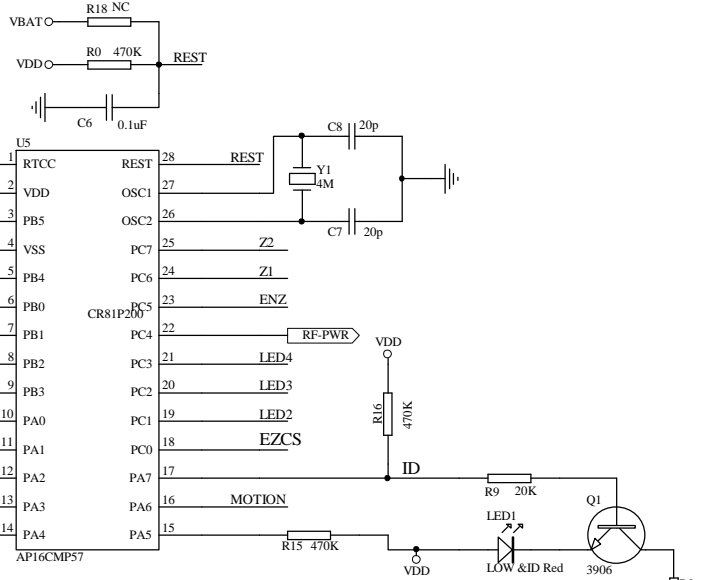
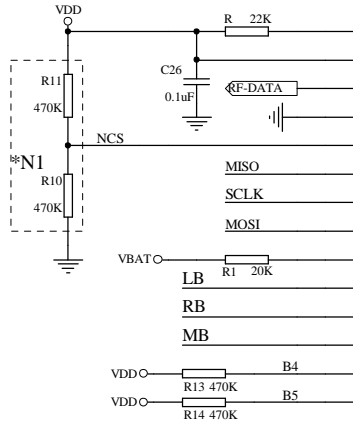


Title			B&L111 ID B4 B5		
Size	Number	Revision			
A4	A0225039:ID/40:B4,B5	V1.0			
Date:	23-Dec-2006	Sheet	of		
File:	C:\Documents and Settings\Administrator\All Products.ddb				

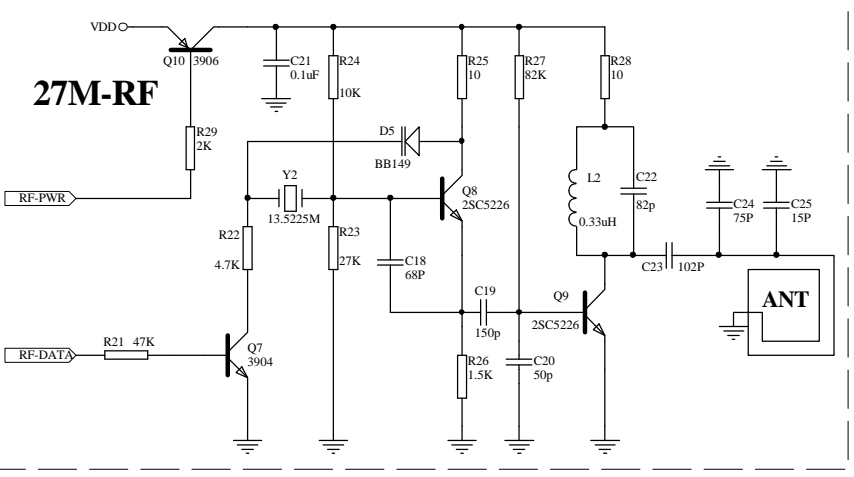
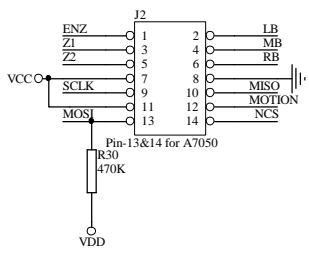
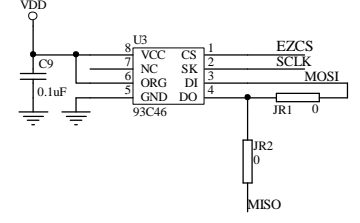
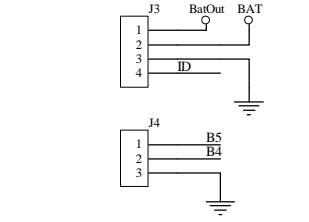
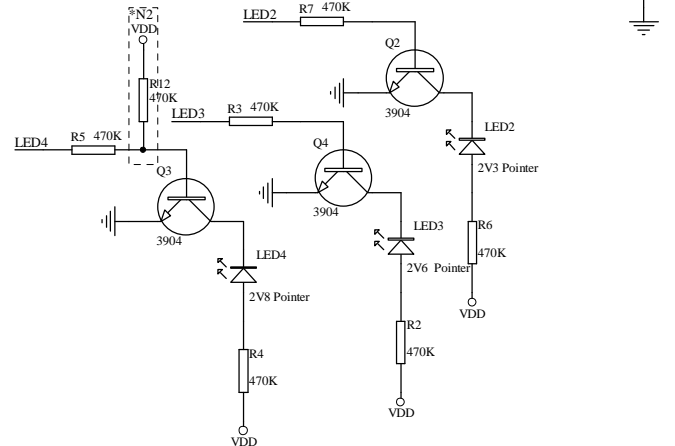


**POWER**

\*N1: R10=470K Sensor=PAN3101  
R11=470K Sensor=Laser IC



\*N2: R12=470K Sensor=A7050  
R12=NC Sensor=PAN3601



**27M-RF**

Title		
B&L111 RF SCH		
Size	Number	Revision
B	L0225059	V2.1
Date:	23-Dec-2006	Sheet of
File:	C:\Documents and Settings\Administrator\Documents\B&L All Products.ddb	10 of 10