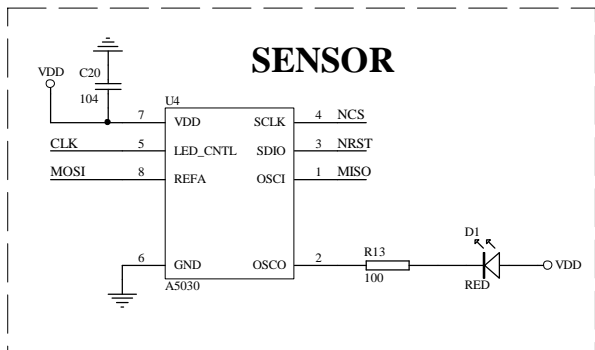
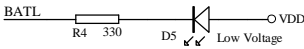
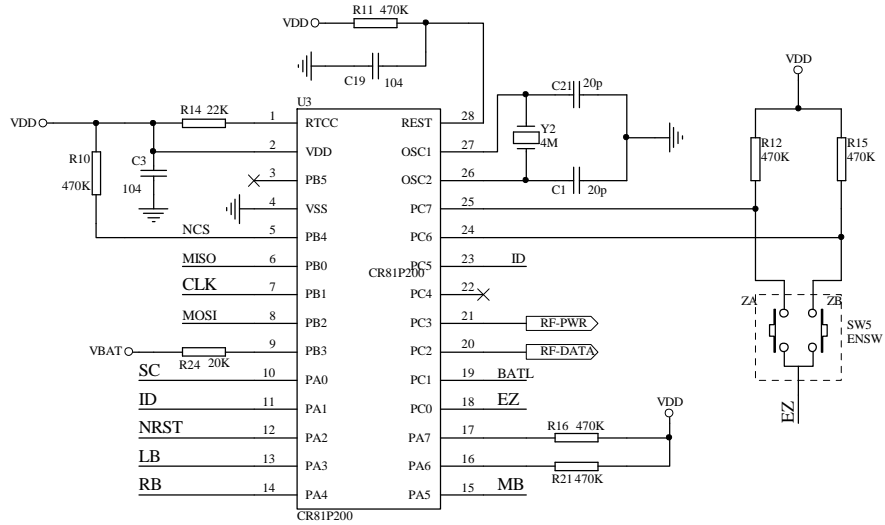
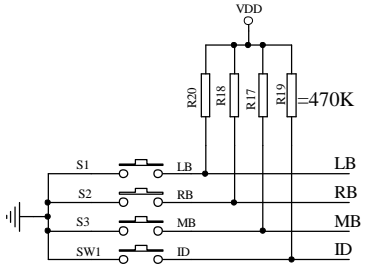
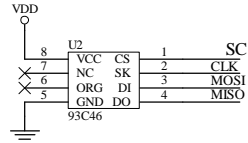
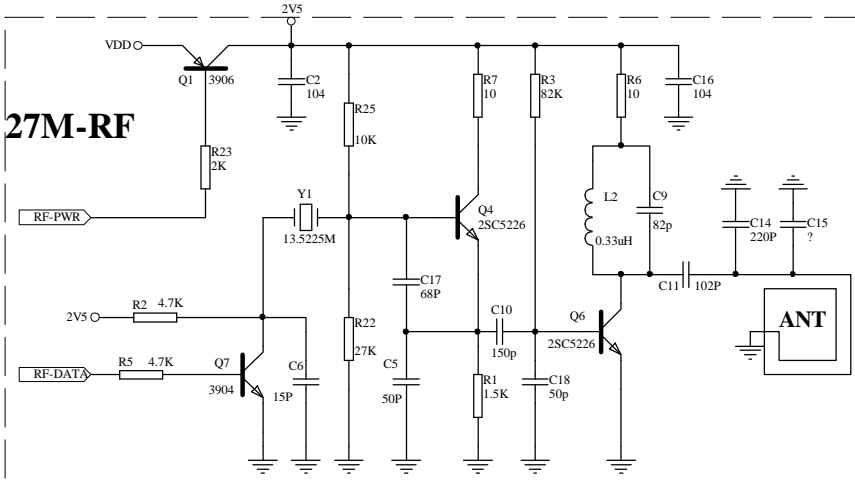


POWER



SENSOR



27M-RF

Title B52 27M A5030		
Size B	Number	Revision
Date: 6-Feb-2006	Sheet of	
File: E:\李華幾種\B52\B52.DDB	Drawn By:	