

EMC3380 Wi-Fi/BT Module

Built-in ARM Cortex V8 dual-core processor, voice processor and Flash memory.

2.4/5G Hz dual-frequency Wi-Fi, BLE 5.0, audio processing unit, PSRAM, rich peripherals

Version: 3.1

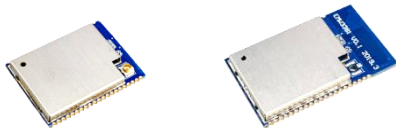
Date: 2020-02-26

Number: DS0144EN

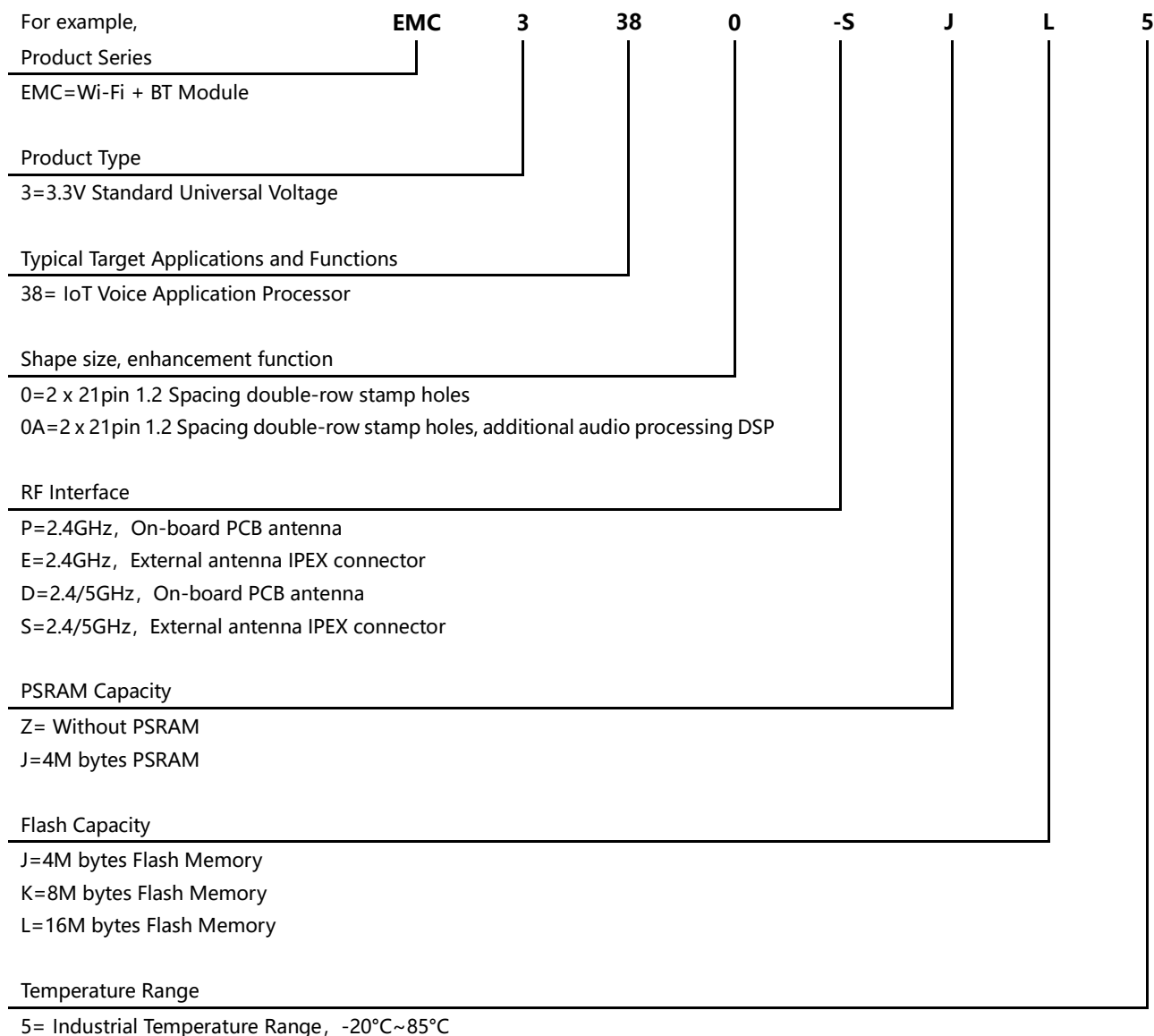
Abstract

- **Input voltage: 2.7V~3.3V**
- **Processor: Dual-core CPU with ARM v8-M architecture.**
 - Performance core KM4: Cortex-M33 with main frequency up to 200MHz.
 - Energy Efficiency Core KM0: Cortex-M23 with main frequency up to 20MHz.
 - Deep Sleep、Deep Standby and Sleep mode.
 - SWD/JTAG simulation debugging interface.
- **Memory**
 - 512K bytes SRAM for KM4 core
 - 64K bytes SRAM for KM0 core
 - 4M bytes PSRAM
 - XIP flash memory from 2M to 16M bytes
- **Wi-Fi**
 - 802.11 a/b/g/n 1T1R 2.4/5GHz dual frequency.
 - Processing Wi-Fi messages using independent Microcontrollers.
 - Support low power TX/RX mode in short distance applications.
 - Support narrow-band mode: 10MHz bandwidth.
 - Support Antenna diversity.
 - Support the IEEE Power Save Model
- **BT 5.0 Low Energy**
 - Comply with Low Power Bluetooth 5.0 Standard.
 - Support high power mode (10dbm).
 - Wi-Fi and BLE time division multiplexing and share the same PA and antenna.
 - Support Bluetooth Master-Slave Mode and BLE mesh.
- **Audio Codec**
 - Support 8, 16, 32, 44.1, 48 and 96 kHz sampling rates
 - 24-bit stereo DAC and DAC
 - Headphone speakers supporting 16ohm and 32ohm loads
 - Two Digital Microphone Interfaces
 - Bias Voltage of Built-in Microphone
 - Optional Voice Processor for Intelligent Noise Reduction
- **I2S Interface**
 - Output: 16/24 bit , 24K-384K Sampling rate stereo.
 - Input: 16 bit , 24K-96K Sampling rate dual microphone.
 - Full duplex input/output stereo audio
 - 5.1 Channel Output.
- **Safety**
 - ARM Trust Zone-M Technology.
 - AES/SHA Hardware Accelerator, Random Number Generator
 - Security boot Safe Start
 - Anti-reading mechanism: JTAG interface protection, flash encryption technology.
- **Peripherals**
 - 34 x GPIO
 - 1 x USB、3 x SPI、1 x I2C、1 x Infrared、11 x PWM
 - 3 x UART:
 - ✓ 1 x Log UART、1 x LP UART、1 x HS UART

- ✓ The baud rate is as high as 4M.
 - Up to 7 channels 12-bit ADC, 1M sampling rate, battery power detection
 - Low power RTC (32kHz)
 - Up to 5 x 5 matrix keyboard and 4 touch keys can be supported
- **Operating Temperature: -20°C to +85°C**
 - **Antenna: On-Board PCB Antenna, or IPEX Connector**
- **Interface and Dimension**
 - EMC3380-E/S: 2 x 21pin 1.2pitch,double-row stamp hole
 - ✓ EMC3380-E/S: external antenna, 20mm x 27mm
 - ✓ EMC3380-P/D: On-board Antenna , 20mm x 33mm



Order Code



Optional model

Ordering Code	Description
EMC3380-SJL5	2.4/5GHz Dual Frequency Wi-Fi, BLE 5.0, External Antenna, 4M bytes PSRAM, 16M bytes Flash
EMC3380A-DJJ5	2.4/5GHz Dual Frequency Wi-Fi, BLE 5.0, Audio DSP processor, On-Board Antenna, 4M byte PSRAM, 4M byte flash memory
EMC3380-DJJ5	2.4/5GHz Dual Frequency Wi-Fi, BLE 5.0, On-Board Antenna, 4M byte PSRAM, 4M byte flash memory

Version Update Record

Date	Version	Update Items
2019-03-13	1.0	Initial Document.
2019-04-02	1.1	Update pin multiplexing.
2019-04-12	1.2	Update pin multiplexing table that increase function 7 and 8, and add internal pull-down.
2019-06-02	2.0	Update Document format, content to conform to the actual product.
2019-08-10	2.1	Add Module Label Information and Radio Frequency Part Data.
2019-09-12	2.2	Adjust the overall document format.
2020-02-26	3.1	Add dimension diagram

Copyright Notice

Without permission, it is prohibited to use or copy all or any part of this manual, especially for trademarks, model naming, part numbers and drawings.

Catalog

Abstract	1
1. Introduction	6
1.1. Peripheral List	7
2. Characteristics	8
2.1. System and Storage	8
2.2. Wireless Communication.....	9
2.3. Security	9
2.4. Communication Interface	9
2.5. Timer.....	11
2.6. Human-Computer Interface.....	11
2.7. Analog Processing.....	12
3. Pin Definition	13
3.1. Pin Distribution	13
3.1.1. EMC3380	13
3.2. Pin Definition	14
3.2.1. General pin definition.....	14
3.3. Low energy pin definition	17
3.4. Special Function Capture Pin	18
4. System memory Space	20
4.1. KM4 Embedded SRAM.....	20
4.2. KM0 Embedded SRAM.....	20
4.3. KM4 Extension SRAM	20
4.4. Retention SRAM.....	20
4.5. SPI Flash Memory	21
4.6. PSRAM	21
4.7. System storage control address allocation	21
5. ATE (RF Test Mode)	23

5.1.	Wi-Fi ATE Command	23
5.1.1.	Start MP mode	23
5.1.2.	Stop MP mode	23
5.1.3.	Set Tx rate	23
5.1.4.	Set operational channel.....	23
5.1.5.	Set operational bandwidth	24
5.1.6.	Set Tx power	24
5.1.7.	Set antenna for Tx.....	24
5.1.8.	Set antenna for Rx	24
5.1.9.	Start air Rx mode	24
5.1.10.	Start continuous Tx mode.....	25
5.1.11.	Query air Rx statistics	25
5.1.12.	Reset air Tx/Rx statistics	25
5.2.	Bluetooth ATE Command (TBD)	25
5.3.	Example Command.....	25
6.	Flash Programming	28
6.1.	Burning with the emulator debugger	28
6.2.	Burn using serial download mode	29
6.3.	Burning system via BAT	31
7.	Electrical Parameters.....	32
7.1.	Working Condition.....	32
7.2.	Absolute Maximum Parameter.....	32
7.3.	Operation Voltage and Current.....	32
7.4.	Digital IO DC characteristic	34
8.	RF Parameter	35
8.1.	Basic RF Parameters.....	35
8.2.	TX/RX Performance.....	35
8.2.1.	IEEE 802.11b mode.....	35
8.2.2.	IEEE802.11g mode.....	36

8.2.3.	IEEE802.11n-HT20(2.4G) mode	37
8.2.4.	EMC3380 Bluetooth RF characteristic	41
9.	Antenna Information.....	43
9.1.	Antenna Type.....	43
9.2.	PCB Antenna Clearance	43
9.3.	External Antenna Connector	44
10.	Dimensions and Production Guidance	45
10.1.	Assembly Dimension Diagram	45
10.2.	Packing dimension diagram	45
11.	Production Guidelines	46
11.1.	Precautions	47
11.2.	Storage Condition	48
11.3.	Secondary Reflux Temperature Curve	48
12.	FCC and IC Information	50
12.1.	FCC Warning	50
12.2.	IC warning	50
12.3.	Trace antenna designs	51
12.4.	RF exposure considerations.....	51
12.5.	Antennas.....	52
12.6.	Label and compliance information	52
12.7.	Information on test modes and additional testing requirements5	52
12.8.	Additional testing, Part 15 Subpart B disclaimer.....	53
12.9.	The module is limited to OEM installation ONLY.	53
12.10.	The OEM integrator is responsible for ensuring that the end-user has no manual instructions to remove or install module.	53
12.11.	The module is limited to installation in mobile or fixed applications.....	53
13.	Packaging and Label Information.....	54
13.1.	packaging information	54
13.2.	Label Information	54

14. Sales and Technical Support Information55

Table Catalog

Table 1 EMC3380 peripheral list.....	7
Table 2 EMC3380 Pin Definition	14
Table 3 Low energy pin definition.....	17
Table 4 Special Function Capture Pin.....	18
Table 5 Firmware special function capture pin.....	19
Table 6 System storage space	21
Table 7 MXOS 4M byte Flash storage space partition	22
Table 8 Flash programming methods.....	28
Table 9 Input Voltage Range.....	32
Table 10 Absolute maximum parameter: voltage	32
Table 11 operating parameter: voltage and current.....	32
Table 12 Average power consumption under 3.3V	32
Table 13 RF consumption under 3.3V	34
Table 14 operation parameter (3.3V) :Digital IO DC characteristic.....	34
Table 15 RF Standard	35
Table 16 EMC3380 IEEE 802.11b TX/RX Characteristics Parameters	35
Table 17 EMC3380 IEEE802.11g module TX/RX Characteristics Parameters	36
Table 18 EMC3380 IEEE802.11n-HT20 RX/TX Characteristics Parameters.....	37
Table 19 EMC3380 IEEE802.11n-HT40 RX/TX Characteristics Parameters.....	37
Table 20 EMC3380 IEEE802.11a RX/TX Characteristics Parameters	38
Table 21 EMC3380 IEEE802.11n-HT20(5G RX/TX Characteristics Parameters	39
Table 22 EMC3380 IEEE802.11n-HT40(5G) RX/TX Characteristics Parameters	40
Table 23 EMC3380 BLE4.0 TX/RX RX/TX Characteristics Parameters	41
Table 24 EMC3380 BLE5.0 TX/RX RX/TX Characteristics Parameters	42
Table 25 Module MOQ and Packaging Information	54

Figure Catalog

Figure 1 EMC3380 Hardware Block Diagram	6
Figure 2 EMC3380 Pin Arrangement	13
Figure 3 Audio noise reduction chip BR262 connection schematic diagram	17
Figure 4 The Schematic Diagram of ATE Mode Connection	23

Figure 5 JLink Connection schematic diagram	28
Figure 6 Serial download mode connection diagram	29
Figure 7 Use MXKIT-BASE to enter serial download mode	30
Figure 8 Image Tool use interface	30
Figure 9 BAT burning system.....	31
Figure 10 PCB Antenna Minimum Clearance (unit: mm)	43
Figure 11 Dimension Diagram of External Antenna Connector.....	44
Figure 12 EMC3380-S, EMC3380-D dimension (unit: mm)	45
Figure 13 EMC3380-S, EMC3380-D packing dimension (unit: mm)	45
Figure 14 Humidity Card.....	46
Figure 15 Storage Conditions Diagram	48
Figure 16 Reference Secondary Reflux Temperature Curve	49
Figure 17 Module Label Schematic Diagram.....	54

1. Introduction

EMC3380 is a high-performance module mainly used in voice applications of the Internet of Things. It has a dual-core microcontroller with ultra-high integration, supports 2.4/5GHz dual-band Wi-Fi and BLE 5.0 wireless communication technology, and includes large capacity Flash, RAM, audio codec and audio digital coprocessor to meet various complex requirements in speech application.

The core of high performance is a 32-bit core with a main frequency up to 200 MHz. Based on the latest ARM v8-M architecture, it not only has low power consumption, but also can complete floating-point operation and DSP instruction processing, thus completing the matching of audio coding and decoding algorithm and deep learning model efficiently. The core frequency of high energy efficiency reaches 20MHz, which provides a simplified instruction system for ultra-low power applications, so that the system can keep standby for a long time.

2.4/5GHz dual-band Wi-Fi guarantees stable Internet connection at any time. BLE 5.0 technology can not only facilitate users to complete the rapid configuration of products, but also realize the intelligent networking of a large number of local devices through Mesh technology.

The large capacity of Flash and RAM space allows developers to implement complex Internet of Things cloud service communication protocols, achieve long-term cache of high-resolution audio resources, and provide users with a perfect audio streaming media listening experience. The integrated dual microphone interface and audio front-end processing DSP chip can collect excellent voice resource samples for intelligent voice system, significantly reduce the algorithm complexity and improve the recognition rate of AI system. Rich peripheral interfaces can maximize system customization and expansion and facilitate the construction of innovative application products.

Shanghai MXCHIP provides MXOS software platform to support the development of EMC3380, providing an efficient development environment, rich sample programs and typical applications.

The following diagram is the hardware block diagram of EMC3380 module, which mainly includes:

- Dual-core wireless microcontroller
- Flash memory with optional capacity
- Optional Audio DSP Processing
- Plate-borne antenna or external antenna pedestal

1.1. Peripheral List

Table 1 EMC3380 peripheral list

Item	Peripherals	Comment	Note
UART	HS_UART0		
	HS_UART1	Interior connect with Bluetooth	
	LP_UART1	Wake up in Low energy mode	
	LP_UART0	Log UART, Wake up in Low energy mode	
SPI	HS_SPI0	Support Master/Slave mode, Clock frequency up to 50MHz	
	HS_SPI1	Support Master mode, Clock frequency up to 25MHz	
	HS_USI_SPI	Support Master/Slave mode, Clock frequency up to 25MHz	
RTC	RTC_OUT		
	EXT_32K		
IR	IR		
I ² C	LP_I2C	Standard mode (Max 100Kbps) Fast mode (Max 400Kbps)	
PWM	HS_PWM0 ~ 17		11route
	LP_PWM0 ~ 5	Support Low energy mode	6route
I ² S	I ² S		
DMIC	DMIC		
SGPIO	SGPIO		
Key-Scan	Key-Scan		7x3/5x5
Wake Pin	Wake Pin	Wake up from deepsleep mode	10pcs
LS_TIM4_TRIG	LS_TIM4_TRIG	Timer capture pin	
LS_TIM5_TRIG	LS_TIM5_TRIG	Timer capture pin	
HS_TIM4_TRIG	HS_TIM4_TRIG	Timer capture pin	
HS_TIM5_TRIG	HS_TIM5_TRIG	Timer capture pin	
Analog Pin	USB	USB Master/Slave mode, Master mode support mass storage	
	ADC	0 ~ 3.3V	7route
	VBAT_MEAS	Battery level detection	
	Audio Output	Audio analog output	x2 (single ended)
	Audio Input	Audio analog output	x2 (single ended)

2. Characteristics

2.1. System and Storage

Processor

- Dual-core processor
- KM4: Use ARM latest v8M architecture, compatible with Cortex-M4F instruction set
- KM4: Use ARM latest v8M architecture, compatible with Cortex-M0 instruction set
- Two cores have equal access to SRAM, peripherals and registers
- Internal communication between the two processors

KM4 processor

- Compatible with Cortex-M4F instruction set, support FPU, DSP, MPU and TrustZone-M technologies
- Working frequency up to 200MHz (configurable)
- SWD serial debugging interface, support 8 hardware breakpoints and 4 observation points (SWO interface function is not supported)
- Built-in NVIC interrupt vector table
- System tick timer.
- 32KB I-Cache and 4KB D-Cache.

K04 processor

Compatible with Cortex-M0 instruction set

Working frequency up to 20MHz

- Built-in NVIC interrupt vector table
- SWD serial debugging interface, support 4 hardware breakpoints and 2 observation points (SWO interface function is not supported)
- System tick timer.
- 32KB I-Cache and 4KB D-Cache

KM4 CPU On-Chip memory

- Up to 512KB continuous space main SRAM, frequency up to 200MHz
- Up to 4MB PSRAM, frequency up to 50MHz

KM4 CPU On-Chip memory

- Up to 64KB of continuous space main SRAM, frequency up to 64MHz
- Reserve 1KB SRAM for saving data in low power mode

GDMA

- KM4 and KM0 both include a GDMA controller.
- HS-GDMA0 supports 6 channels and supports TrustZone-M technology

- LP-GDMA0 supports 6 channels

Flash

- SPI Flash controller with cache
- Support ICP technology, directly program Flash

General-Purpose I / O (GPIO)

- 16 GPIOs with configurable pull-up and pull-down resistors
- Configurable external interrupt triggered by rising edge, falling edge and both edges

2.2. Wireless Communication

Wi-Fi

- 802.11 b / g / n 1x1, 2.4GHz & 5GHz
- Support 20MHz / 40MHz bandwidth, 802.11n rate reaches MCS7
- Low-power architecture, support low-power transmission and reception for short-range applications, low-power beacon monitoring mode, low-power RX mode, low-power suspend mode (DLPS)
- Support external power amplifier

BT BLE

- Support Bluetooth low energy
- Supports both master and slave modes
- High power mode (10dBm, sharing PA with Wi-Fi)
- Built-in Wi-Fi / Bluetooth single antenna coexistence mechanism

2.3. Security

- AES / DES / SHA hardware encryption algorithm engine
- Support TrustZone-M technology
- Support Secure boot
- SWD debug interface protection to prevent debug interface from accessing protected and prohibited areas
- Support RSIP, Flash data decryption

2.4. Communication Interface

USB

- Support USB 2.0, support high speed / full speed / low speed mode
- Support DMA transfer, 1.5Kbyte input block buffer, 1.5Kbyte output block buffer

SPI

- Support Motorola SPI serial data transmission
- Support master-slave mode

- Provide 2 SPI interfaces
- SPI0 (High speed): can be configured as master / slave mode, clock up to 50MHz.
- SPI1 (Normal speed): can be configured as master mode, clock up to 25MHz
- Support DMA transfer
- Configurable independent interrupt
- FIFO depth: The receive and transmit FIFO queues have a depth of 64 words, and each word has 16 bits.
- Hardware / software slave device selection function: You can use special hardware slave device chip select pins or use software to control GPIOs as chip select signals for SPI slave devices.
- Programmable features:
 - Clock frequency: When set to master mode, the bit rate of data transmission can be controlled dynamically
 - The size of each transmitted data (4 ~ 16 bits)
 - Clock polarity and phase
 - When set to receive serial data in master mode, the delay time of sampling can be set to achieve higher serial bit rate

UART

- Supported UART format: 1 start bit, 7/8 data bits, 0/1 parity bit and 1/2 stop bit
- Support hardware flow control
- Support interrupt control
- Support IrDA
- Support loopback mode for testing
- Support TX, RX use different clocks
- Tx channel can use a baud rate generator with decimals to generate accurate clock
- Rx channel supports low power mode
- Can monitor and eliminate the baud rate error and drift on the Rx channel
- Support DMA transfer

IR (Infra Ray)

- Support carrier frequency range: 25KHz to 500KHz, duty cycle: 1/2 to 1/5
- Support infrared diode input and infrared receiver module input
- 32 * 4 bytes Tx FIFO, 32 * 4 bytes Rx FIFO
- Can set carrier frequency and duty cycle

One wire (SGPIO)

- Single-line communication interface for secure encryption chip

I2C

- Two-wire I2C serial interface, consisting of data line (SDA) and clock line (SCL)
- Supports one I2C interface, supports two standard modes up to 100Kbps and high-speed modes up to 400Kbps, and supports clock stretching
- Support I2C master device or slave device
- Support 7-bit or 10-bit address addressing, and support mixed transmission
- Receive and transmit buffer with 16 word depth

- Support DMA for data transmission and reception
- Support bus arbitration mechanism to realize the communication capability of multi-master equipment
- Wake up from device address matching to achieve low power consumption
- Software configurable parameters: SDA hold time, slave device address, etc.
- Programmable digital filters for SDA and SCL signals for filtering noise on signal lines
- Can use the USI interface to build another I2C interface, supporting 400Kbps high-speed mode

2.5. Timer

Basic timers (HS_TIM0 ~ HS_TIM3, LP_TIM0 ~ LP_TIM3)

- Clock source: 32KHz, precision: 32 bits, counting mode: up counting
- Support interrupt trigger, wake up in sleep mode

PWM timer (HS_TIM5, LP_TIM5)

- Channel: HS_TIM5 x 11 and LP_TIM5 x 6
- Clock source: XTAL, precision: 16 bits, counting mode: up counting, frequency division: 8 bits
- 2 x input capture pins
- LP_TIM5 can work in low power mode

Pulse timer (HS_TIM4, LP_TIM4)

- Channel: HS_TIM5 x 11 and LP_TIM5 x 6
- Clock source: XTAL, precision: 16 bits, counting mode: up counting, frequency division: 8 bits
- Single pulse mode, selectable polarity in PWM mode
- 2 x input capture pins, which can generate interrupts

Real-time clock RTC

- Independent BCD counter
- Day / hour / minute / second, 12/24 hour clock
- Software programmable clock compensation
- An alarm that can be triggered by any combination of time domains and generates interrupts
- Digital calibration circuit
- Register write protection

2.6. Human-Computer Interface

Matrix keyboard

- 10 IO ports, support up to 7 x 3, 5 x 5 matrix keyboard scanning
- Number of configurable keyboard rows and columns
- Configurable scan clock, scan interval and release time
- Support interrupt trigger
- Provide 12-bit and 16-depth FIFO to save the key press and release events
- Supports low power loss, the key time can wake the CPU from low power mode

Touch button

- Support 4 touch sensor channels
- Automatic hardware channel scanning, programmable scanning cycle, quantity and cycle
- Differential or absolute threshold judgment mode (ETC)
- Automatic environmental capacitance tracking and calibration (ETC)
- Hardware automatic baseline initialization
- Automatic baseline and threshold updates for noisy environments
- Programmable button debounce function
- Each interrupt source can enable interrupts
- 4 * 12 bits FIFO
- Ultra-low power consumption

2.7. Analog Processing

ADC and voltage comparator

- Successive approximation register ADC converter with 12-bit precision
- Number of channels
- 3 external 3.3V channels
- 3 internal channels
- Configurable inputs: single-ended mode and differential mode
- Support DMA transfer
- Sampling trigger source: software, timer
- A low-power voltage comparator for measuring battery power
- Can trigger wake-up circuit

3. Pin Definition

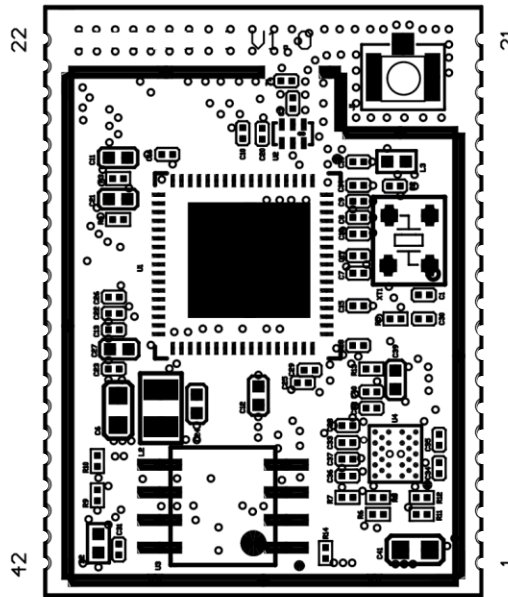
3.1. Pin Distribution

3.1.1. EMC3380

EMC3380 has two sets of pins (1X21 + 1X21). Pin spacing is 1.2 mm.

The arrangement of the pins of EMC3380 is shown in Figure 2, and the pins are defined in Table 3.

Figure 2 EMC3380 Pin Arrangement



3.2. Pin Definition

3.2.1. General pin definition

Table 2 EMC3380 Pin Definition

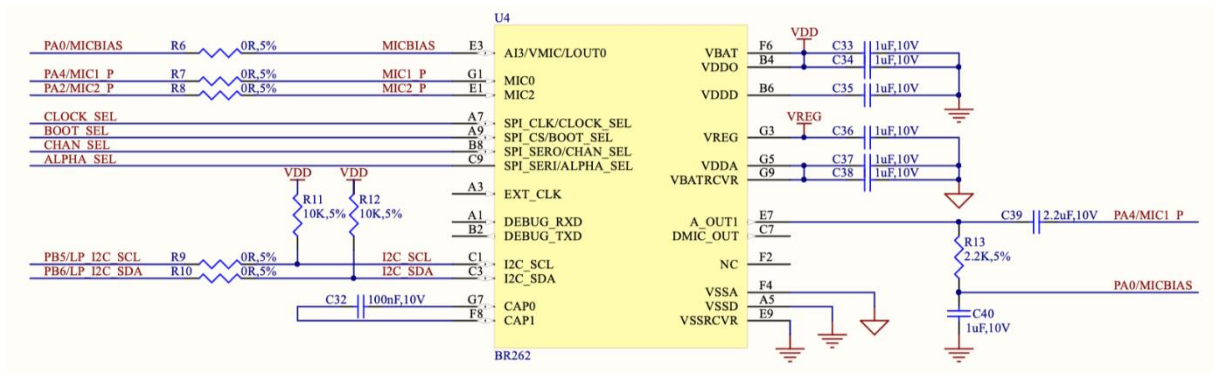
Pin Number	Name (function after reset)	Default State ⁽²⁾	Function 1 (UART DATA)	Function 2 (LOG UART RTS/CTS)	Function 3 (SPI)	Function 4 (RTC)	Function 5 (I2C)	Function 7 (I2C)	Function 9 (HS PWM)	Function 10 (LP PWM)	Function 12 (I2S/DMIC)	Function 14 (USB)	Function 15/PCM (HEADPHONE)	Function 16 (SGPIO)	Function 22 (HS timer trig)	ADC Channel
7	PA0	High-Z									I2S_SD_RX		QDEC_IDX	SGPIO		
9	PA2	High-Z									I2S_CLK		QDEC_PHB	SGPIO_OUT		
8	PA4	High-Z									I2S_WS		QDEC_PHA			
19	PA7 ⁽¹⁾ (UART_LOG_TXD)	Internal UP		UART_LOG_TXD												
20	PA8 (UART_LOG_RXD)	Internal UP		UART_LOG_RXD												
23	PA12 ⁽¹⁾	High-Z	LP_UART_TXD		SPI1_MOSI				HS_PWM0	LP_PWM0	I2S_MCLK					
24	PA13 ⁽¹⁾	EfusePullCtrl0	LP_UART_RXD		SPI1_MISO				HS_PWM1	LP_PWM1	I2S_SD_TX1					
25	PA14 ⁽¹⁾	High-Z		LP_UART_RTS	SPI1_CLK						I2S_SD_TX2					
26	PA15 ⁽¹⁾	EfusePullCtrl1		LP_UART_CTS	SPI1_CS											
27	PA16	High-Z		HS_UART0_RTS	SPIO_MOSI											
28	PA17	High-Z		HS_UART0_CTS	SPIO_MISO											
29	PA18	High-Z	HS_UART0_TXD		SPIO_CLK											
30	PA19	High-Z	HS_UART0_RXD		SPIO_CS						I2S_SD_TX0					
36	PA25	EfusePullCtrl2	LP_UART_RXD		HS_USI_SPI_MOSI		IR_TX	LP_I2C_SCL	HS_PWM4	LP_PWM4		HSDM				
35	PA26	High-Z	LP_UART_TXD		HS_USI_SPI_MISO		IR_RX	LP_I2C_SDA	HS_PWM5	LP_PWM5		HSDP				

31	PA27 ⁽¹⁾ (SWDIO)	Internal UP		LP_UART_RTS													
34	PA28	EfusePullCtrl3		LP_UART_CTS	HS_USI_SPI_CS			HS_PWM6	LP_PWM0		RREF						
33	PA30 ⁽¹⁾	External UP			HS_USI_SPI_CLK			HS_PWM7	LP_PWM1		VBUS_OTG						
37	PB1 ⁽¹⁾	EfusePullCtrl4	LP_UART_TXD								DMIC_CLK			SGPIO_OUT	HS_TIM4_T RIG		ADC4
42	PB2	High-Z	LP_UART_RXD								DMIC_DATA		PCM_CLK	SGPIO	HS_TIM5_T RIG		ADC5
32	PB3 (SWCLK)	High-Z											PCM_SYNC				ADC6
41	PB4	High-Z			SPI1_MOSI	RTC_EXT_32K		HS_PWM8	LP_PWM2	I2S_SD_TX1			PCM_IN		HS_TIM4_T RIG		ADC0 TOUCH_KEY0
40	PB5	High-Z			SPI1_MISO	RTC_OUT	LP_I2C_SCL	HS_PWM9	LP_PWM3	I2S_SD_TX2			PCM_OUT		HS_TIM5_T RIG		ADC1 TOUCH_KEY1
39	PB6	High-Z			SPI1_CLK	LP_TIM4_TRIG	LP_I2C_SDA										ADC2 TOUCH_KEY2
38	PB7	EfusePullCtrl5			SPI1_CS	LP_TIM5_TRIG		HS_PWM17	LP_PWM5								ADC3 TOUCH_KEY3
4	PB22	EfusePullCtrl7	HS_USI_UART_TX D			LP_TIM4_TRIG	IR_RX	HS_USI_I2C_SCL	HS_PWM14	LP_PWM2	I2S_SD_RX		QDEC_PHB	SGPIO_OUT			
5	PB23 ⁽¹⁾	High-Z	HS_USI_UART_RX D			LP_TIM5_TRIG	IR_TX	HS_USI_I2C_SDA	HS_PWM15	LP_PWM3	I2S_MCLK		QDEC_PHA	SGPIO_OUT			
6	PB26	High-Z									I2S_SD_TX0			SGPIO			
15	PB29	High-Z					IR_RX				I2S_CLK			SGPIO			
16	PB31	High-Z					IR_TX				I2S_WS		QDEC_PHA	SGPIO			
3	VBAT_MEAS																
18	nRESET		nRESET														
1	VDD		VDD														
2,21,22	GND		VSS														

17	AGND															
10	CLOC_SEL ⁽³⁾															
11	BOOT_SEL ⁽³⁾															
12	CHAN_SEL ⁽³⁾															
13	ALPHA_SEL ⁽³⁾															
14	VREG ⁽³⁾															

- (1). Special function capture pins. When the module starts, it will detect the state of these pins to enter special functions, please refer to section 3.2.3
- (2). The default state of the pin. When the Reset button is pressed, all GPIO ports will maintain the previous state. When the Reset button is released, the state of the GPIO returns to the state described in "Default State" in Table 2. EfusePullCtrlx indicates that the default state of the pin is determined by the eFuse status bit is determined.
- (3). On the EMC3380A module, these pins are connected to the onboard audio noise reduction chip BR262, while on the EMC3380 module, these pins are in a floating state /. The BR262 data sheet can be downloaded at <https://www.onsemi.com/pub/Collateral/BR262-D.PDF>. The connection circuit diagram on the module is as follows:

Figure 3 Audio noise reduction chip BR262 connection schematic diagram



- (4). The time from system power-on to GPIO power supply can be divided into three phases:
 1. The power supply voltage rises to 1.5V, and the internal AON_LDO voltage rises to 0.5V. Determined by 3.3V / 1.8V power-on time
 2. The chip's internal analog circuit needs 6ms to power the Reset button, and then the digital circuit starts to work.
 3. After 300us ~ 1.5ms, the GPIO is powered on, and the default level takes effect.
 Phases 2 and 3 take a total of 6.3ms to 7.5ms.

3.3. Low energy pin definition

Low energy pins can wake the module from DeepSleep state, and they are located on the keyboard scan function and touch function pins.

Table 3 Low energy pin definition

Pin Number	Name	Function 28 (Ext32K)	Function 29 (key scan row)	Function 30 (key scan col)	Function 31 (wakeup)	PX_FUNC_DE FAULT
14	PA12		KEY_ROW0		LGPIO0	GPIOC_LP0
15	PA13		KEY_ROW1		LGPIO1	GPIOC_LP1
19	PA14	RTC_OUT	KEY_ROW2		LGPIO2	GPIOC_LP2
23	PA15	RTC EXT_32K	KEY_ROW3	KEY_COL6	LGPIO3	GPIOC_LP3

	PA16		KEY_ROW4	KEY_COL5	LGPIO0	GPIOC_LP4
	PA17		KEY_ROW6	KEY_COL3	LGPIO1	GPIOC_LP5
	PA18		KEY_ROW5	KEY_COL4	LGPIO2	GPIOC_LP6
	PA19	RTC_OUT		KEY_COL2	LGPIO3	GPIOC_LP7
10	PA25			KEY_COL1	LGPIO2	GPIOC_LP10
9	PA26			KEY_COLO	LGPIO3	GPIOC_LP11

3.4. Special Function Capture Pin

The module will detect the status of these pins during power-on to enter some special modes and functions. These functions are determined by the hardware and cannot be modified.

Table 4 Special Function Capture Pin

Pin Name	Trap Function	State	Description
PA7	UART_DOWNLOAD	High (Default)	Boot application normally
		Low	Boot ROM code, enter Flash download mode
PA12	ICFG0	Test mode, ignore if not enter test mode	
PA13	ICFG1	Test mode, ignore if not enter test mode	
PA14	ICFG2	Test mode, ignore if not enter test mode	
PA15	ICFG3	Test mode, ignore if not enter test mode	
PA27	NORMAL_MODE_SEL	High (Default)	Boot application normally
		Low	Enter test mode, use A12 ~ PA15
PA30	SPS_SEL	High (Default)	SWR mode(Pull up 10K inside the module)
		Low	LDO mode

If the module firmware is developed using the MXOS development platform provided by MXCHIP, the application will also detect the status of the following pins during the boot process and enter a special working mode. These functions can be adjusted by modifying the code. The default functions are described below. Before final production, if these functions are useful, verification testing is required.

There are currently three working modes to choose from:

- Normal: Run the application normally.
- ATE: Runs the RF test mode. In this mode, you can test the RF transmit power and receive sensitivity and calibrate the RF parameters. Use UART_LOG (TX: PA7, RX: PA8) to interact with the ATE command.
- QC: Run the factory test mode, output QC information through LP_UART (TX: PB1, RX: PB2), and cooperate with the detection program running on the PC, which can be used to verify the firmware version in the module, the login information of the cloud service, and basic hardware Features.

When detecting the state of the pin, the firmware first sets the mode of PB1 and PB23 to input pull-up. Therefore, if there is no external interference, the read IO state is high, and the default working state is: Normal.

Table 5 Firmware special function capture pin

Firmware operation mode	PB1 (BOOT)	PB23 (STATUS)
Normal	1	Not test
ATE	0	1
QC	0	0

4. System memory Space

The EMC338x module contains the following memory cells:

4.1. KM4 Embedded SRAM

The KM4 core contains up to 512K bytes of continuous on-chip SRAM memory. The embedded SRAM is available in bytes (8 bits), half words (16 bits) or single words (32 bits). It is divided into two blocks, both of which can be accessed by the KM4 and KM0 cores.

- KM4 SRAM1 (up to 256KB)
- KM4 SRAM2 (up to 256KB)

Dividing SRAM into two sending device ports allows users' applications to obtain better performance. For example, it is possible to access the SRAM through the CPU and the DMA controller simultaneously without causing delay. Generally, when the DMA is reading and writing data from the peripheral to the SRAM, the CPU will also access the SRAM to read and write the data of other peripherals. Therefore, the reading and writing of different peripheral data is placed in different SRAM blocks. Can reduce latency. In addition, SRAM is read and written alternately to access the same peripheral data sequence. For example, when the DMA is reading or writing to a RAM buffer and is ready to operate on the next buffer, the CPU is notified. In this way, the CPU and DMA can operate different buffers in different SRAM blocks at the same time, reducing access latency.

In the power supply area, the entire SRAM is also divided into 3 blocks:

- SRAM_PD1 (up to 256KB)
- SRAM_PD2 (up to 128KB)
- SRAM_PD3 (up to 128KB)

Each block can be individually enabled in the power management unit (PMU), and this SRAM can be restored as quickly as possible when the system wakes up from sleep mode.

4.2. KM0 Embedded SRAM

The KM0 core contains up to 64K bytes of memory. The embedded SRAM is available in bytes (8 bits), half words (16 bits) or single words (32 bits) and accessible by KM4 and KM0 cores.

4.3. KM4 Extension SRAM

If Bluetooth is not used, the KM4 core can be expanded with an additional 64KB of SRAM. This SRAM can also be accessed through KM4 and KM0 at speeds up to 50MHz * 32 bits.

4.4. Retention SRAM

The chip also provides 1KB of SRAM, which is used to save data with the lowest power consumption in deepsleep mode. This SRAM can also be accessed by KM4 and KM0.

4.5. SPI Flash Memory

The CPU manages access to flash memory from the I-Code and D-Code buses via the built-in SPI Flash Control Unit (SPIC). At the same time, operations such as erasure, programming, and read-write protection are also implemented, and the execution of code stored in flash memory is accelerated by instruction prefetch and cache.

4.6. PSRAM

4M bytes PSRAM, using 50MHz DDR memory.

4.7. System storage control address allocation

Address allocation is as following table.

Table 6 System storage space

Base Address	Top Address	Size	Function	Description	
0x0000_0000	0x0001_FFFF	128KB	KM0 ITCM ROM (actually 96KB)	32MB: KM0 Memory Address	
0x0002_0000	0x0002_7FFF	32KB	KM0 DTCM ROM (actually 16KB)		
0x0002_8000	0x0007_FFFF	352KB	RSVD		
0x0008_0000	0x0008_FFFF	64KB	KM0 SRAM		
0x0009_0000	0x000B_FFFF	192KB	RSVD		
0x000C_0000	0x000C_3FFF	16KB	Retention SRAM (1KB) (the same port with KM0 SRAM)		
0x000C_4000	0x000F_FFFF	240KB	RSVD		
0x0010_0000	0x01FF_FFFF	31MB	RSVD		
0x0200_0000	0x07FF_FFFF	96MB	PSRAM		224MB: External Memory Address
0x0800_0000	0x0FFF_FFFF	128MB	External FLASH		
0x1000_0000	0x1007_FFFF	512KB	KM4 SRAM	256MB: KM4 Memory Address	
0x1008_0000	0x100D_FFFF	384KB	RSVD		
0x100E_0000	0x100E_FFFF	64KB	Extension SRAM0 from Bluetooth		
0x100F_0000	0x100F_FFFF	64KB	Extension SRAM1 from Wi-Fi		
0x1010_0000	0x1013_FFFF	256KB	KM4 ITCM ROM		
0x101C_0000	0x101D_7FFF	96KB	KM4 DTCM ROM		
0x101E_0000	0x101F_FFFF	256KB	RSVD		
0x1020_0000	0x1FFF_FFFF	254MB	RSVD		
0x2000_0000	0x3FFF_FFFF	512MB	RSVD		Reserved

0x4000_0000	0x47FF_FFFF	128MB	KM4 Peripherals	128MB: KM4 Peripherals Address
0x4800_0000	0x4FFF_FFFF	128MB	KM0 Peripherals	128MB: KM0 Peripherals Address
0x5000_0000	0x57FF_FFFF	128MB	KM4 Peripherals Secure	128MB: KM4 Peripherals Secure Address
0x5800_0000	0xFFFF_FFFF	2816MB	RSVD	Reserved

Partition the flash storage space to store firmware and data for different functions. When using the MXOS platform provided by MXCHIP to develop firmware, the 4MB Flash space is pre-allocated as follows. When using other development environments or different Flash capacities, please refer to the relevant technical description.

Table 7 MXOS 4M byte Flash storage space partition

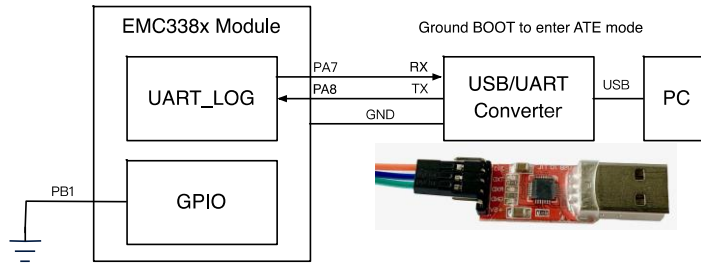
Name	Description	Start Address	Size
KM0 Boot	KM0 core boot loader	0x0800_0000	20 Kbytes
Backup	System data backup area	0x0800_2000	4 Kbytes
System Data	System Data	0x0800_3000	4 Kbytes
KM4 Boot	KM4 Core Bootloader	0x0800_4000	8 Kbytes
APP1	Application partition 1, when OTA upgrade, switch with APP2 to boot.	0x0800_6000	1504 Kbytes
KV	Key/Value Data Storage Area	0x0817_E000	16 Kbytes
BT FTL	Bluetooth Binding Information Storage Area	0x0818_2000	12 Kbytes
APP2	Application partition 2, when OTA upgrade, switch with APP 1 to boot.	0x0818_8000	1504 Kbytes
USER	User uses partition	0x0830_0000	1024 Kbytes

KM0 Boot, KM4 Boot, and APP1 are necessary parts for system operation.

5. ATE (RF Test Mode)

According to the Table 5 firmware special function capture pin, after the module is started into the ATE mode, it can interact with the module through the debug serial port (UART_LOG) to make the module enter a specific transmit and receive mode, thereby carry out testing the RF and electrical performance.

Figure 4 The Schematic Diagram of ATE Mode Connection



If the MXKIT series evaluation board provided by MXCHIP is used, the BOOT signal on the DIP switch on the MXKIT-BASE board can be turned to the ON side.

PC serial terminal setting parameters: 115200 baud rate, 8 data bits, 1 stop bit, no parity. The following ATE commands are supported:

5.1. Wi-Fi ATE Command

5.1.1. Start MP mode

After executing this command, the Wi-Fi driver stops transmitting data and enters MP mode.

```
iwpriv mp_start
```

5.1.2. Stop MP mode

After executing this command, the Wi-Fi driver stops the packet transmission started by other commands. But the system needs to be restarted, and it can enter the normal Wi-Fi connection mode.

```
iwpriv mp_stop
```

5.1.3. Set Tx rate

Set the data transmission rate of Tx messages.

```
iwpriv mp_rate rate
```

rate: data transmission rate, 2 = 1M, 4 = 2M, 11 = 5.5M, ..., 108 = 54M, 128 = MCS0, 129 = MCS1, ..., 142 = MCS15

5.1.4. Set operational channel

Set the working frequency band of sending and receiving packets.

```
iwpriv mp_channel channel
```

channel: frequency band of sending and receiving packets

5.1.5. Set operational bandwidth

Set the bandwidth for sending and receiving data packets. Set the guard interval for transmitting MCS messages. If no parameters are provided, the default setting is 20MHz bandwidth, and long guard interval (long GI) is used for transmission.

```
iwpriv mp_bandwidth 40M=40m, shortGI=sgi
```

40m: setting bandwidth, 1=40M bandwidth mode, 0=20Mbandwidth mode

sgi: set the mode of GI, 1=Short GI, 0=long GI

5.1.6. Set Tx power

Set the transmit power of paths A and B. If no parameters are provided, the parameters preset in Flash are used.

```
iwpriv mp_txpower patha=x,pathb=y
```

x: transmitting power of Path A

y: transmitting power of Path B

5.1.7. Set antenna for Tx

Set the antenna used when sending

```
iwpriv mp_ant_tx ant
```

ant: Set the antenna used when sending, a=antenna A, b=antenna B, ab=antenna A&B.

5.1.8. Set antenna for Rx

Set the antenna used when receiving

```
iwpriv mp_ant_rx ant
```

ant: Set the antenna used when receiving, a=antenna A, b=antenna B, ab=antenna A&B.

5.1.9. Start air Rx mode

This command is used for wireless reception test. Use the Start command to start receiving packets. Use the stop command to stop counting, and display statistics of correct and error packets. Use the phy command to read the number of RF physical layer received packets, CRC errors, and failure alarms.

```
iwpriv mp_arx start/stop/phy
```

start: Start packet reception

stop: Stop counting and showing statistics

phy: show the number of RF physical layer received packets, CRC errors, and failure alarms.

5.1.10. Start continuous Tx mode

This command is used for continuous packet testing. Use the time command to set the sending time. Use the count command to set the number of sending packets. If neither time nor count is set, the continuous packet sending mode is started. If the background mode is not set, any character input can stop sending packets. If the cs mode is set, transmitting through the carrier suppression signal. Use the stone command to send a single tone signal for testing the frequency. If stone is set, the sending signal will not be a recognizable message. By default, sending the short duty cycle signal with hardware. If pkt is set, data packet is controlled by software.

```
iwpriv mp_ctx count=n,background,stop,pkt,cs,
```

```
iwpriv mp_ctx count=n,background,stop,pkt,cs,stone
```

t: set the sending packet time

n: set the sending packet quantity

background: set the background sending packet mode

stop: Stop the background sending packet

pkt: send tx message

cs: send carrier suppressions signal

stone: send Single Tone signal

5.1.11. Query air Rx statistics

Used for wireless message counting. When transmitting data packets, use this command to get the number of packets that have been transmitted. When received, this command can be used to get

```
iwpriv mp_query
```

5.1.12. Reset air Tx/Rx statistics

This command can count the number of recharge messages. When sending, this command can reset the number of packets sent, and when receiving, it can reset the number of packets with correct and CRC errors.

```
iwpriv mp_reset_stats
```

5.2. Bluetooth ATE Command (TBD)

5.3. Example Command

continuous sending test

```
iwpriv mp_start //enter MP mode
iwpriv mp_channel 1 //set channel to 1 . 2, 3, 4~11 etc.
iwpriv mp_bandwidth 40M=0,shortGI=0 //set 20M mode and long GI
iwpriv mp_ant_tx a //select antenna A for operation
```

```
iwpriv mp_txpower patha=44,pathb=44 //set path A and path B Tx power level
iwpriv mp_rate 108 //set OFDM data rate to 54Mbps,e x: CCK 1M = 2, CCK 5.5M = 11,
KK, OFDM54M = 108 N Mode: MCS0 = 128, MCS1 = 129....etc.
iwpriv mp_ctx background //start continuous Tx
iwpriv mp_ctx stop //stop continuous Tx
iwpriv mp_stop //exit MP mode
```

continuous message sending test

```
iwpriv mp_start //enter MP mode
iwpriv mp_channel 1 //set channel to 1 . 2, 3, 4~11 etc.
iwpriv mp_bandwidth 40M=0,shortGI=0 //set 20M mode and long GI
iwpriv mp_ant_tx a //select antenna A for operation
iwpriv mp_txpower patha=44,pathb=44 //set path A and path B Tx power level
iwpriv mp_rate 108 //set OFDM data rate to 54Mbps, ex: CCK 1M = 2, CCK 5.5M = 11,
KK, OFDM54M = 108 N Mode: MCS0 = 128, MCS1= 129.... etc.
iwpriv mp_ctx background,pkt //start packet continuous Tx
iwpriv mp_ctx stop //stop continuous Tx
```

carrier suppression test

```
iwpriv mp_start //enter MP mode
iwpriv mp_channel 1 //set channel to 1 . 2, 3, 4~11 etc.
iwpriv mp_bandwidth 40M=0,shortGI=0 //set 20M mode and long GI
iwpriv mp_ant_tx a //select antenna A for operation
iwpriv mp_txpower patha=44,pathb=44 //set path A and path B Tx power level
iwpriv mp_rate 108 //set OFDM data rate to 54Mbps,ex: CCK 1M = 2, CCK 5.5M = 11,
KK, OFDM54M = 108 N Mode: MCS0 = 128, MCS1 = 129....etc.
iwpriv mp_ctx background,cs //start sending carrier suppression signal
iwpriv mp_ctx stop //stop continuous Tx
iwpriv mp_stop
```

Single Tone Signal sending test

```
iwpriv mp_start //enter MP mode
iwpriv mp_channel 1 //set channel to 1 . 2, 3, 4~11 etc.
iwpriv mp_bandwidth 40M=0,shortGI=0 //set 20M mode and long GI
iwpriv mp_ant_tx a //select antenna A for operation
```

```

iwpriv mp_txpower patha=44,pathb=44 //set path A and path B Tx power level
iwpriv mp_rate 108 //set OFDM data rate to 54Mbps,ex: CCK 1M = 2, CCK 5.5M = 11,
KK, OFDM54M = 108 N Mode: MCS0 = 128, MCS1 = 129....etc.
iwpriv mp_ctx background,stone //start sending single tone signal
iwpriv mp_ctx stop //stop sending single tone signal
iwpriv mp_stop //exit MP mode

```

RX Test

```

iwpriv mp_start //enter MP mode
iwpriv mp_bandwidth 40M=1,shortGI=0 //set 40M mode and long GI
iwpriv mp_channel 6 //set channel to 6
iwpriv mp_ant_rx ab //select all 2 antennas for operation
iwpriv mp_arx start //start air Rx
iwpriv mp_query //get the statistics
iwpriv mp_arx stop //stop air Rx and show the statistics
iwpriv mp_stop //exit MP mode

```

6. Flash Programming

There are several ways to program the module's Flash to burn specific function firmware. The application scenarios and restrictions of various burning methods are as follows:

Table 8 Flash programming methods

Method	Interface	COMM Pin	Burn Mode	Preparation
			PA7	
Simulation debugger	SWD	PA27, PB3	-	development environment and JTAG debugger
Serial Port download mode	UART0/UA	PA7, PA8	0	Image Tool Burning Software
BAT Burn System	SWD	PA27, PB3	-	BAT Burn System

Note: PA7 powers up high level by default.

The application scenarios of each burning method are as follows:

Simulation debugger: Burn during module development and debugging.

Serial port download mode: Batch programming of modules on the production line.

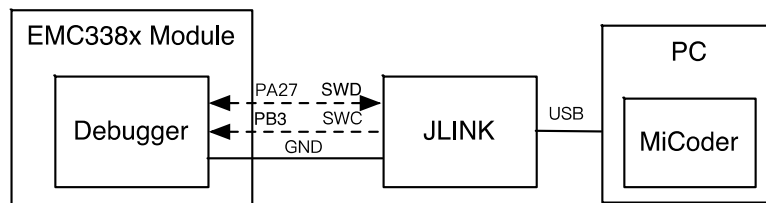
BAT programming system: The module is reprogrammed on the module or product production line and can be used for the unique ID of the programming device.

In summary, it is recommended to lead PA7, PA8, PA27 and PB3 on the user's mainboard as the burning test points for programming, which is convenient for development and production.

6.1. Burning with the emulator debugger

When using the MXOS system to develop module firmware, burn the generated firmware into the module through the compile command in the development environment MiCoder. About MiCoder development environment build, please refer to related documents. The hardware emulator usually selects JLink, and the connection method is shown in Figure 5.

Figure 5 JLink Connection schematic diagram



Add the download parameter to the compile command to download the currently compiled firmware. Because the development environment needs to be installed, it is not suitable for module batch factory programming.

For example, to compile the HelloWorld application, execute the command.


```
mxos make helloworld@emc3380 download
```

Command results:

```
Making config file for first time
processing components: helloworld emc3380 MXOS
.....
Downloading application, size: 443512 bytes...
#####
##### 100%
433 KiB 8.0 KiB/s 18 s
Build complete
Making .gdbinit
Making .openocd_cfg
```

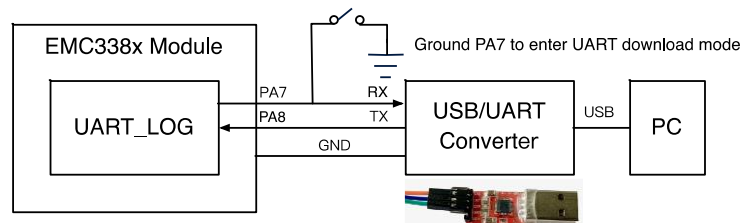
If the pre-burned bootloader in the module is damaged, simply add the total parameter to the command to re-burn the bootloader.

```
mxos make helloworld@emc3380 total download
```

6.2. Burn using serial download mode

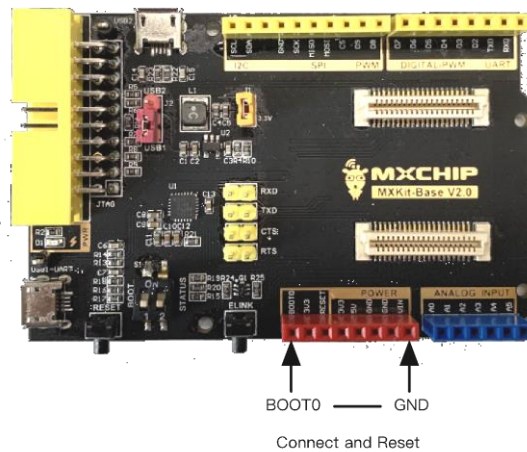
1. Connect the hardware according to Figure 6. After PA7 is grounded, power on or reset the module. Then release PA7 to enter serial port download mode.

Figure 6 Serial download mode connection diagram



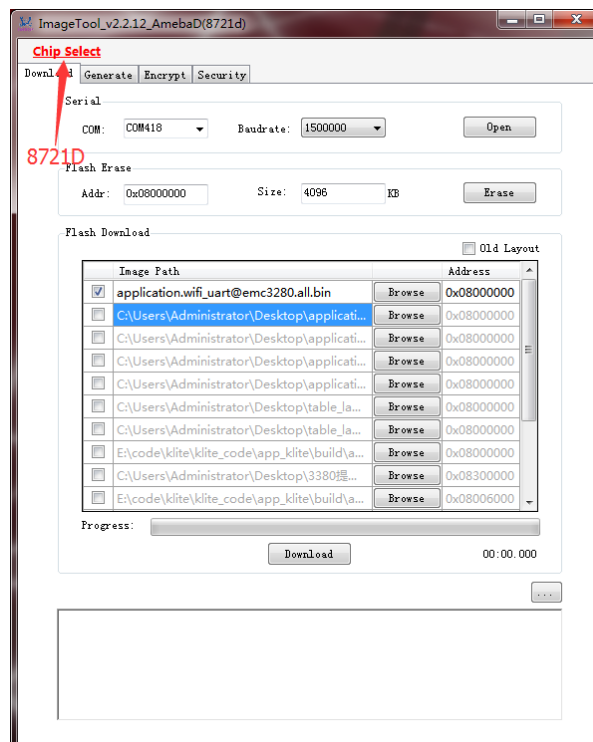
If you use the MXKIT series evaluation board provided by MXCHIP, the BOOT0 signal on the Arduino interface on the MXKIT-BASE board is grounded. After resetting, remove the ground.

Figure 7 Use MXKIT-BASE to enter serial download mode



2. Open the burning software image tool (v2.2.12), Chip Select selects AmebaD (8721D).
3. In the Flash Download section, select the binary file to be downloaded and download it to the corresponding address.
 - If compilation tool is provided by MXCHIP, xxxx@emc338x.all.bin is usually generated, and the corresponding download address is 0x08000000.
 - If using other compilation tools, please should query the relevant settings of the compilation system. The km0_boot_all.bin (KM0 core boot program) usually generated is downloaded to 0x08000000, km4_boot_all.bin (KM0 core boot program) is downloaded to 0x08004000, km0_km4_image2.bin (KM0, KM4 application firmware program) is downloaded to 0x08006000.

Figure 8 Image Tool use interface



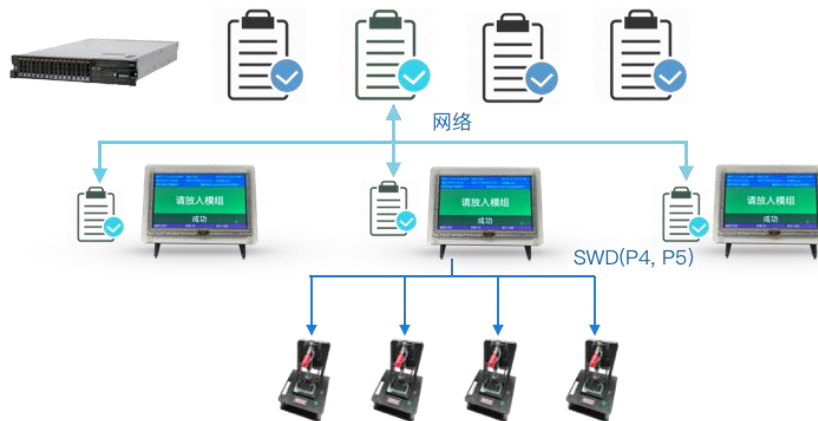
4. Click the Download button to complete the download

6.3. Burning system via BAT

BAT is a batch-oriented production tool launched by MXCHIP. It can not only implement firmware programming, but also unique IDs for each module, such as cloud service verification codes, security keys, certificates, tokens, etc. The BAT system uses a server-client architecture. Import firmware and IDs in batches on the server, create production tasks, and uniformly manage the production system. The client synchronizes production tasks from the server, and one client can burn 4 modules at the same time. The client can also be docked with feeding machine, robotic arms and other automation systems to achieve fully automated production.

For the use of the BAT system, please refer to the relevant documentation for the BAT system. The EMC338x module interacts with the BAT system through the SWD interface. The following is the application block diagram of the BAT system.

Figure 9 BAT burning system



7. Electrical Parameters

7.1. Working Condition

When the input voltage is lower than the lowest rated voltage, the operation will be unstable. This should be noted in power supply design.

Table 9 Input Voltage Range

Symbol	Description	Condition	Detail			
			Minimum	Typical	Maximum	Unit
V _{DD}	Power Voltage		2.7	3.3	3.6	V

7.2. Absolute Maximum Parameter

Modules operating outside the absolute maximum ratings may cause permanent damage. At the same time, long-term exposure to the maximum rating conditions will affect the reliability of the module.

Table 10 Absolute maximum parameter: voltage

Symbol	Ratings	Min	Max	Unit
V _{DD} -V _{SS}	Voltage	-0.3	3.6	V
V _{IN}	Input voltage on any other pin	V _{SS} -0.3	V _{DD} +0.3	V

7.3. Operation Voltage and Current

Table 11 operating parameter: voltage and current

Symbol	Note	Specification			
		Min.	Typical	Max.	Unit
V _{DD}	Voltage	3.0	3.3	3.6	V
I _{VDD}	3.3V Rating Current (with internal regulator and integrated CMOS PA)			450	mA

Table 12 Average power consumption under 3.3V

Operation Mode		Conditions	Average Current	Unit
Power Mode	Scenario			
Deepsleep	Deepsleep	RTC timer	7~8	μA

Operation Mode		Conditions	Average Current	Unit
Power Mode	Scenario			
		1KB retention RAM		
	Deepsleep with Key-Scan	RTC timer 1KB retention RAM Key-Scan	12~13	μA
	Deepsleep with Cap-Touch (average current)	RTC timer 1KB retention RAM Cap-Touch	20	μA
Sleep	WoWLAN sleep power	KM4 power gate KM0 clock gate All RAM retained Wi-Fi retained	30~50	μA
Active	Wi-Fi Rx Idle	HT20 MCS0~7 normal mode KM4 in active mode Rx idle	81	mA
		HT20 MCS0~7 ultra-low power mode KM4 in active mode Rx idle	60	mA
	Wi-Fi Rx UDP	HT20 MCS0~7 ultra-low power mode KM4 in active mode UDP Rx @ 8Mbps	67	mA
WoWLAN	WoWLAN Rx Beacon	Rx beacon mode @ normal mode KM4 in sleep mode	45	mA
		Rx beacon mode @ ultra-low power mode KM4 in sleep mode	39	mA
	WoWLAN DTIM=1 (Average)	KM4 in sleep mode All SRAM retained Wi-Fi retained Open space	1.1~2	mA

Table 13 RF consumption under 3.3V

Operation Mode	Current		Unit
	2.4G	5G	
1T-MCS7/BW40M (15dBm)	206	286	mA
1T-MCS7/BW40M (18dBm@2.4G, 17dBm@5G)	247	310	
1T-MCS7/BW20M (15dBm)	204	286	
1T-MCS7/BW20M (18dBm)	248	308	
1T-Legacy_OFDM54M (16dBm)	214	296	
1T-Legacy_OFDM54M (19dBm@2.4 18dBm@5G)	262	323	
1T_CCK11M (18dBm)	257		
1T_CCK11M (21dBm)	312		
1R-Idle/BW40	52	53	
1R-MCS7/BW40M (Pin= -60dBm)	61	64	
1R-MCS7/BW20M (Pin= -60dBm)	62	63	
1R-Legacy_OFDM54M (Pin= -60dBm)	61	62	
1R-CCK11M (Pin= -60dBm)	52		
RF Standby	24	23	
RF Disable	24	23	

7.4. Digital IO DC characteristic

The electrical characteristics of the module's digital IO port are described in Table 13 under 3.3V power supply.

Table 14 operation parameter (3.3V) :Digital IO DC characteristic

Symbol	Note	Conditions	Specification			
			Min.	Typical	Max.	Unit
V _{IH}	Input-High Voltage	LVTTL	2.0	-	-	V
V _{IL}	Input-Low Voltage	LVTTL	-	-	0.8	V
V _{OH}	Output-High Voltage	LVTTL	9.58	9.59	13.43	V
V _{OL}	Output-Low Voltage	LVTTL			0.4	V
I _{IL}	Input-Leakage Current	V _{IN} = 3.3V/0V	-10	±1	10	μA

8. RF Parameter

8.1. Basic RF Parameters

Table 15 RF Standard

Item		Description
Operating Frequency Range (Dual Frequency)		2.4G Frequency Band: 2400~24835GHz ; 5G Frequency Band: 5150~5850MHz
Wireless standard		WiFi: IEEE802.11b/g/n(2.4G), 802.11a/n(5G) Bluetooth: BLE5.0
Modulation Mode		Wi-Fi: 11b: DBPSK, DQPSK,CCK for DSSS 11g/a/n: BPSK, QPSK, 16QAM, 64QAM for OFDM Bluetooth: GFSK
Data transmission rate of theoretical physics	20MHz	11b: 1,2,5.5,11Mbps 11g /a: 6,9,12,18,24,36,48,54Mbps 11n_HT20: MCS0~7, Maximum 65Mbps
	40MHz	11n_HT40(2.4G&5G): MCS0~7, Maximum 135Mbps
	2MHz	BLE_1Mbps BLE_2Mbps
Antenna Type		IPEX External Antenna

8.2. TX/RX Performance

8.2.1. IEEE 802.11b mode

Table 16 EMC3380 IEEE 802.11b TX/RX Characteristics Parameters

Item	Description			
Mode	IEEE802.11b			
Channel	CH1 to CH13			
Data Rates	1, 2, 5.5, 11Mbps			
TX Characteristics	Min.	Typical.	Max.	Unit
Transmitter Output Power				
11b Target Power@1Mbps	15.0	16.5	18.0	dBm

11b Target Power@11Mbps	15.0	16.5	18.0	dBm
Spectrum Mask @ target power				
fc +/-11MHz to +/-22MHz	-	-	-30	dBr
fc > +/-22MHz	-	-	-50	dBr
Frequency Error	-10	-2	+10	ppm
Constellation Error (peak EVM) @target power				
1~11Mbps	-	-	35% (or -11dB)	
RX Characteristics	Min.	Typical.	Max.	Unit
Minimum Input Level Sensitivity				
1Mbps (FER≤8%)	-	-98	-97.5	dBm
11Mbps (FER≤8%)	-	-90	-90	dBm

8.2.2. IEEE802.11g mode

Table 17 EMC3380 IEEE802.11g module TX/RX Characteristics Parameters

Item	Description			
Mode	IEEE802.11g			
Channel	CH1 to CH13			
Data Rates	6, 9, 12, 18, 24, 36, 48, 54Mbps			
TX Characteristics	Min.	Typical.	Max.	Unit
Transmitter Output Power				
11g Target Power@6Mbps	13.5	15.0	16.5	dBm
11g Target Power@54Mbps	13.0	14.5	16	dBm
Spectrum Mask @ target power				
fc +/- 11MHz	-	-	-20	dBr
fc +/- 20MHz	-	-	-28	dBr
fc > +/-30MHz	-	-	-40	dBr
Frequency Error	-10	-2	+10	ppm
Constellation Error (peak EVM) @target power				
6Mbps	-	-30	-5	dBm
54Mbps	-	-30	-25	dBm

RX Characteristics	Min.	Typical.	Max.	Unit
Minimum Input Level Sensitivity				
6Mbps (FER \leq 10%)	-	-93	-93	dBm
54Mbps (FER \leq 10%)	-	-76	-75.5	dBm

8.2.3. IEEE802.11n-HT20(2.4G) mode

Table 18 EMC3380 IEEE802.11n-HT20 RX/TX Characteristics Parameters

Item	Description			
Mode	IEEE802.11n HT20			
Channel	CH1 to CH13			
Data Rates	MCS0/1/2/3/4/5/6/7, up to 65Mbps			
TX Characteristics	Min.	Typical.	Max.	Unit
Transmitter Output Power				
11n Target Power@MCS0	13.5	14.5	16	dBm
11n Target Power@ MCS7	12.5	14	15.5	dBm
Spectrum Mask @ target power				
fc +/- 11MHz	-	-	-20	dBr
fc +/- 20MHz	-	-	-28	dBr
fc > +/-30MHz			-45	dBr
Frequency Error	-10	-2	+10	ppm
Constellation Error (peak EVM) @target power				
MCS0	-	-30	-5	dBm
MCS7	-	-31	-27	dBm
RX Characteristics	Min.	Typical.	Max.	Unit
Minimum Input Level Sensitivity				
MCS0 (FER \leq 10%)	-	-93	-93	dBm
MCS7 (FER \leq 10%)	-	-73.5	-73	dBm

8.2.3.1 IEEE802.11n-HT40(2.4G) mode

Table 19 EMC3380 IEEE802.11n-HT40 RX/TX Characteristics Parameters

Item	Description
Mode	IEEE802.11n HT40

Channel	CH1 to CH13			
Data Rates	MCS0/1/2/3/4/5/6/7, up to 135Mbps			
TX Characteristics	Min.	Typical.	Max.	Unit
Transmitter Output Power				
11n Target Power@MCS0	13.5	14.5	16	dBm
11n Target Power@ MCS7	12.5	14	15.5	dBm
Spectrum Mask @ target power				
fc +/- 22MHz	-	-	-20	dBr
fc +/- 40MHz	-	-	-28	dBr
fc > +/-60MHz			-45	dBr
Frequency Error	-10	-2	+10	ppm
Constellation Error (peak EVM) @target power				
MCS0	-	-30	-5	dBm
MCS7	-	-32	-27	dBm
RX Characteristics	Min.	Typical.	Max.	Unit
Minimum Input Level Sensitivity				
MCS0 (FER≤10%)	-	-90	-90	dBm
MCS7 (FER≤10%)	-	-74.5	-74	dBm

8.2.3.2 IEEE802.11a mode

Table 20 EMC3380 IEEE802.11a RX/TX Characteristics Parameters

Item	Description			
Mode	IEEE802.11a			
Channel	CH36 to CH165			
Data Rates	6, 9, 12, 18, 24, 36, 48, 54Mbps			
TX Characteristics	Min.	Typical.	Max.	Unit
Transmitter Output Power				
11g Target Power@6Mbps	12.5	14	15.5	dBm
11g Target Power@54Mbps	11.5	13	14.5	dBm
Spectrum Mask @ target power				
fc +/- 11MHz	-	-	-20	dBr
fc +/- 20MHz	-	-	-28	dBr

fc > +/-30MHz			-40	dBr
Frequency Error	-10	-2	+10	ppm
Constellation Error (peak EVM) @target power				
MCS0	-	-29	-5	dBm
MCS7	-	-29	-25	dBm
RX Characteristics	Min.	Typical.	Max.	Unit
Minimum Input Level Sensitivity				
6Mbps (FER≤10%)	-	-89	-88.5	dBm
54Mbps (FER≤10%)	-	-74.5	-74	dBm

8.2.3.3 IEEE802.11n HT20(5G) mode

Table 21 EMC3380 IEEE802.11n-HT20(5G RX/TX Characteristics Parameters

Item	Description			
Mode	IEEE802.11n(5G) HT20			
Channel	CH36 to CH165			
Data Rates	MCS0/1/2/3/4/5/6/7, Max. 65Mbps			
TX Characteristics	Min.	Typical.	Max.	Unit
Transmitter Output Power				
11n Target Power@MCS0	11.5	13	14.5	dBm
11n Target Power@MCS7	10.5	12	13.5	dBm
Spectrum Mask @ target power				
fc +/- 11MHz	-	-	-20	dBr
fc +/- 20MHz	-	-	-28	dBr
fc > +/-30MHz			-45	dBr
Frequency Error	-10	-2	+10	ppm
Constellation Error (peak EVM) @target power				
MCS0	-	-28	-5	dBm
MCS7	-	-30	-27	dBm
RX Characteristics	Min.	Typical.	Max.	Unit
Minimum Input Level Sensitivity				
MCS0 (FER≤10%)	-	-92.5	-92	dBm
MCS7 (FER≤10%)	-	-72	-72	dBm

8.2.3.4 IEEE802.11n HT40(5G) mode

Table 22 EMC3380 IEEE802.11n-HT40(5G) RX/TX Characteristics Parameters

Item	Description			
Mode	IEEE802.11n(5G) HT40			
Channel	CH36 to CH165			
Data Rates	MCS0/1/2/3/4/5/6/7, Max.135Mbps			
TX Characteristics	Min.	Typical.	Max.	Unit
Transmitter Output Power				
11n Target Power@MCS0	11.5	13	14.5	dBm
11n Target Power@MCS7	10.5	12	13.5	dBm
Spectrum Mask @ target power				
fc +/- 11MHz	-	-	-20	dBr
fc +/- 20MHz	-	-	-28	dBr
fc > +/-30MHz			-45	dBr
Frequency Error	-10	-2	+10	ppm
Constellation Error (peak EVM) @target power				
MCS0	-	-28	-5	dBm
MCS7	-	-30	-27	dBm
RX Characteristics	Min.	Typical.	Max.	Unit
Minimum Input Level Sensitivity				
MCS0 (FER≤10%)	-	-89	-89	dBm
MCS7 (FER≤10%)	-	-69	-69	dBm

8.2.4. EMC3380 Bluetooth RF characteristic

Table 23 EMC3380 BLE4.0 TX/RX RX/TX Characteristics Parameters

Item	DataRate	Min	Typical	Max	Remark
POWER_AVERAGE	LE_1M	6	10	10dBm	
Frequency Drift Error	LE_1M	-50KHz	-5	50KHz	
Carrier frequency offset and drift at NOC:					
ΔF_n max	LE_1M	-150KHz	6.1	150KHz	
$ F_0 - F_n $	LE_1M		2.37	50KHz	
$ F_1 - F_0 $	LE_1M		2.1	20KHz	
$ F_n - F_{n5} $	LE_1M		0.89	20KHz	
Modulation characteristics:					
ΔF_{1avg}	LE_1M	225KHz	249	275KHz	
ΔF_{2avg}	LE_1M	185KHz	238	275KHz	
$\Delta F_{2avg} / \Delta F_{1avg}$	LE_1M	0.8	0.96		
ΔF_{2max}	LE_1M	185KHz	245		
In-Band Emissions					
OFFSET_-2	LE_1M		-44.3	-20dBm	
OFFSET_-3	LE_1M		-46.6	-30dBm	
OFFSET_-4	LE_1M		-46.5	-30dBm	
OFFSET_-5	LE_1M		-50.6	-30dBm	
OFFSET_2	LE_1M		-46.1	-20dBm	
OFFSET_3	LE_1M		-45.7	-30dBm	
OFFSET_4	LE_1M		-44.4	-30dBm	
OFFSET_5	LE_1M		-50.2	-30dBm	
RX Characteristics					
Minimum Sensitivity	LE_1M	-	-98dBm	-97dBm	PER \leq 30.8%

Table 24 EMC3380 BLE5.0 TX/RX RX/TX Characteristics Parameters

Item	Datarate	Min	Typical	Max	Remark
POWER_AVERAGE	LE_2M	4	8	10dBm	
Frequency Drift Error	LE_2M	-50KHz	-4.3	50KHz	
Carrier frequency offset and drift at NOC:					
ΔF_n max	LE_2M	-150KHz	6.1	150KHz	
$ F_0 - F_n $	LE_2M		2.37	50KHz	
$ F_1 - F_0 $	LE_2M		2.1	23KHz	
$ F_n - F_{n5} $	LE_2M		0.89	20KHz	
Modulation characteristics:					
ΔF_{1avg}	LE_2M	450KHz	502.1	550KHz	
ΔF_{2avg}	LE_2M	450KHz	499.7	550KHz	
$\Delta F_{2avg} / \Delta F_{1avg}$	LE_2M	0.8	0.995		
ΔF_{2max}	LE_2M	370KHz	509		
In-Band Emissions					
OFFSET_-4	LE_2M		-47.01	-20dBm	
OFFSET_-5	LE_2M		-50.95	-20dBm	
OFFSET_-6	LE_2M		-50.95	-30dBm	
OFFSET_4	LE_2M		-45.85	-20dBm	
OFFSET_5	LE_2M		-50.75	-20dBm	
OFFSET_6	LE_2M		-50.75	-30dBm	
RX Characteristics					
Minimum Sensitivity	LE_2M	-	-98dBm	-97dBm	PER \leq 30.8%

9. Antenna Information

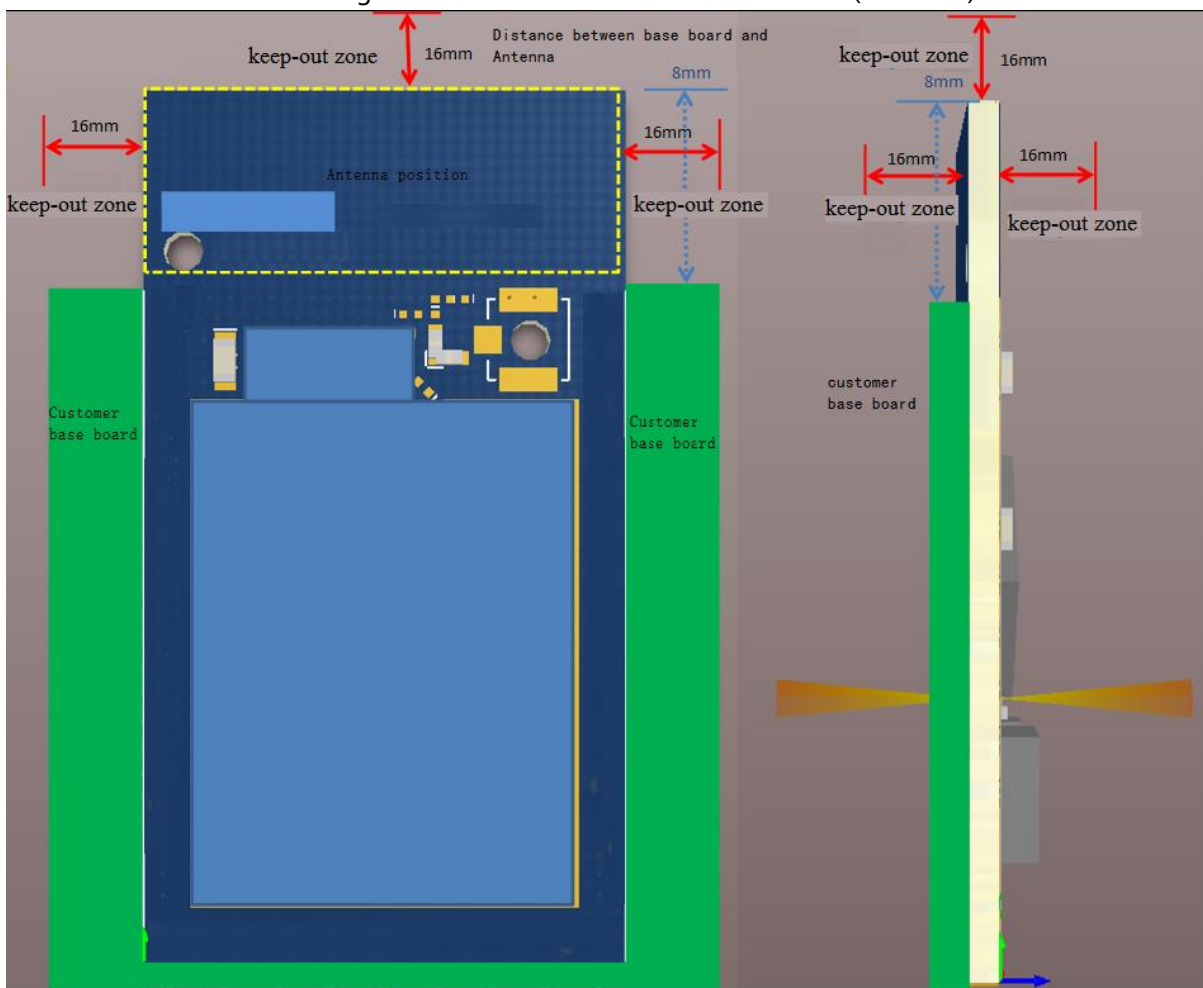
9.1. Antenna Type

EMC3380 has two specifications: PCB antenna and IPX connector. Please refer to order code.

9.2. PCB Antenna Clearance

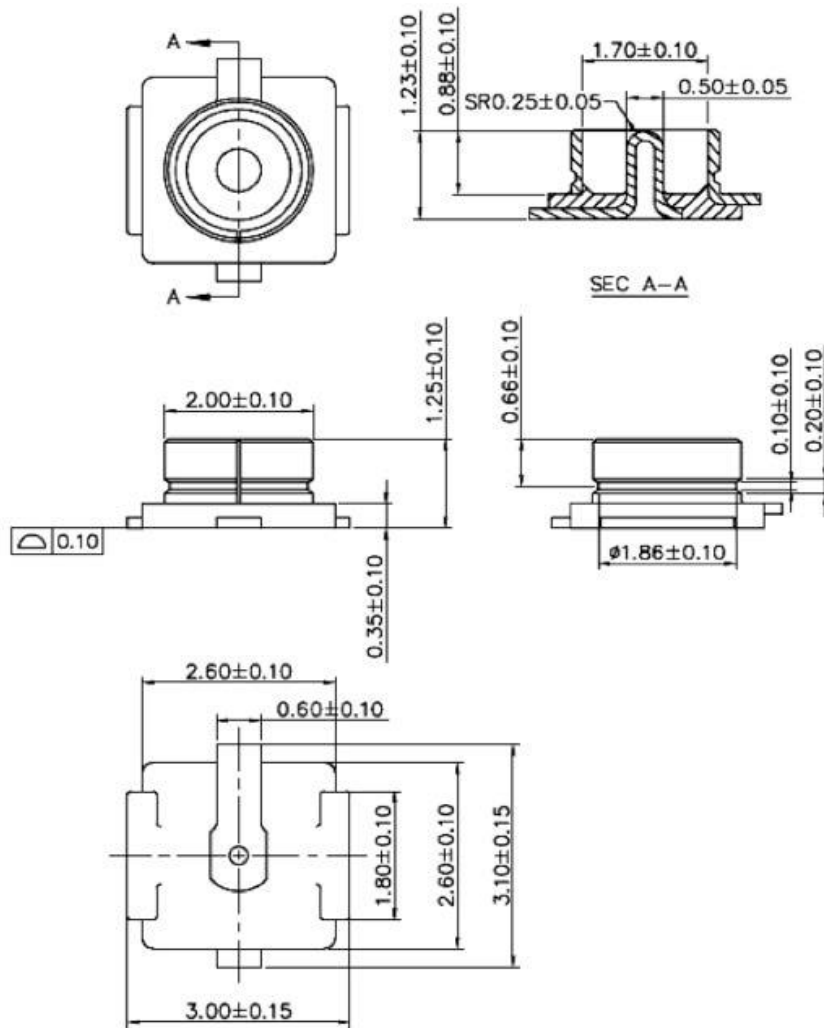
When using PCB antenna in WIFI module, it is necessary to ensure that PCB and other metal devices are at least 16 mm away from the motherboard. The shaded areas in the figure below need to be far away from metal devices, sensors, interference sources and other materials that may cause signal interference.

Figure 10 PCB Antenna Minimum Clearance (unit: mm)



9.3. External Antenna Connector

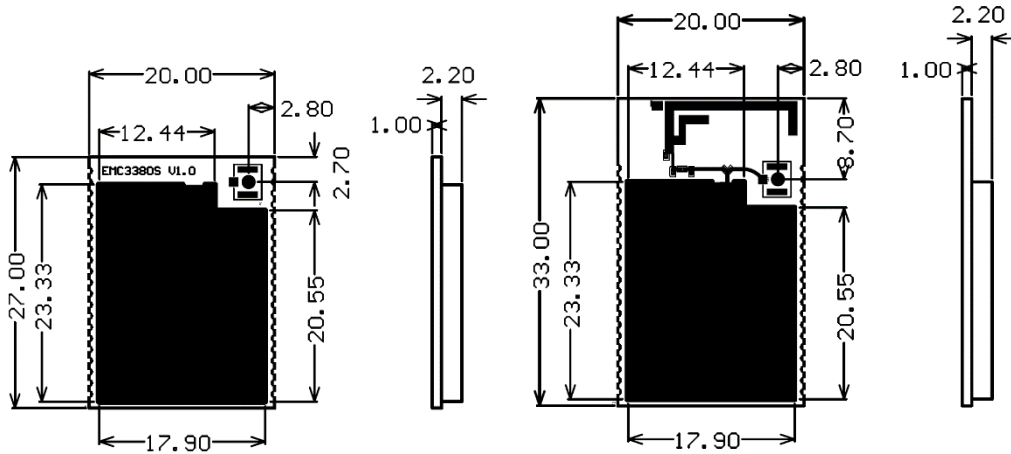
Figure 11 Dimension Diagram of External Antenna Connector



10. Dimensions and Production Guidance

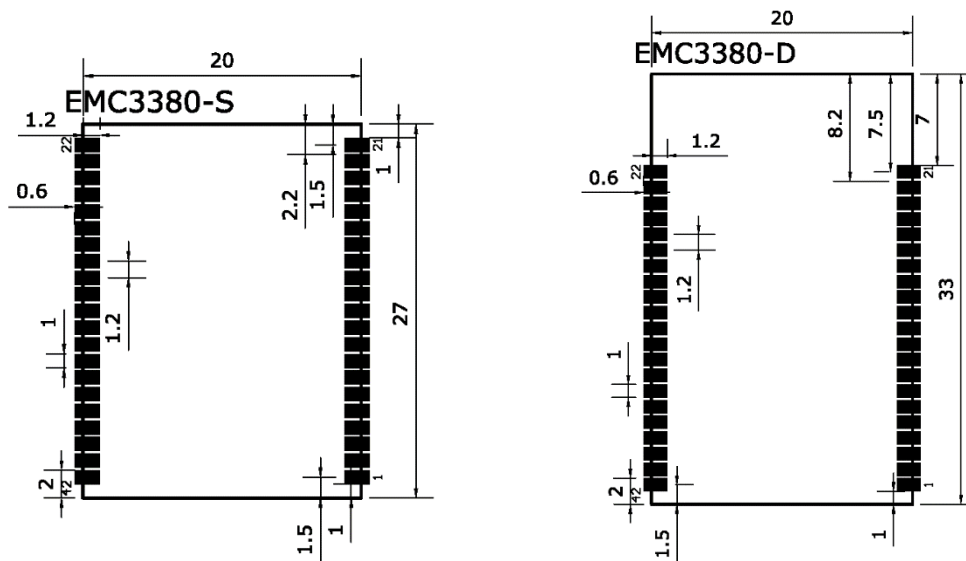
10.1. Assembly Dimension Diagram

Figure 12 EMC3380-S, EMC3380-D dimension (unit: mm)



10.2. Packing dimension diagram

Figure 13 EMC3380-S, EMC3380-D packing dimension (unit: mm)



Note: All dimensional tolerances marked in the figure are $\pm 0.25\text{mm}$.

11. Production Guidelines

MXCHIP stamp port packaging module must be SMT machine patches, module humidity sensitivity grade MSL3, after unpacking more than a fixed time patches to bake module.

- SMT patches require instruments
 - Reflow bonding machine
 - AOI detector
 - 6-8mm suction nozzle
- Baking requires equipment:
 - Cabinet oven
 - Anti-static, high temperature tray
 - Antistatic and heat resistant gloves

The storage conditions of MXCHIP module are as follows:

- Moisture-proof bags must be stored in an environment with temperature < 30 degree C and humidity < 85% RH.
- A humidity indicator card is installed in the sealed package.

Figure 14 Humidity Card



After the module is split, if the humidity card shows pink, it needs to be baked.

The baking parameters are as follows:

- The baking temperature is 120°C±5°C and the baking time is 4 hours.
- The alarm temperature is set to 130°C.
- SMT patches can be made after cooling < 36°C under natural conditions.
- Drying times: 1 time.
- If there is no welding after baking for more than 12 hours, please bake again.

If the disassembly time exceeds 3 months, SMT process is forbidden to weld this batch of modules, because PCB gold deposition process, over 3 months, pad oxidation is serious, SMT patch is likely to lead to virtual welding, leak welding, resulting in various problems, our company does not assume the corresponding responsibility;

Before SMT patch, ESD (Electrostatic Discharge, Electrostatic Release) protection should be applied to the module.

SMT patches should be made according to the reflow curve. The peak temperature is 250 C. The reflow temperature curve is shown in Chapter 9, Figure 16.

In order to ensure the qualified rate of reflow soldering, 10% of the first patches should be taken for visual inspection and AOI testing to ensure the rationality of furnace temperature control, device adsorption mode and placement mode, and 5-10 patches per hour are recommended for visual inspection and AOI testing in subsequent batch production.

11.1. Precautions

- Operators of each station must wear static gloves during the entire production process;
- Do not exceed the baking time when baking;
- It is strictly forbidden to add explosive, flammable or corrosive substances during baking;
- When baking, the module uses a high temperature tray to be placed in the oven to keep the air circulation between each module while avoiding direct contact between the module and the inner wall of the oven;
- When baking, please close the oven door to ensure that the oven is closed to prevent temperature leakage and affect the baking effect.
- Try not to open the door when the oven is running. If it must be opened, try to shorten the time for opening the door;
- After baking, the module should be naturally cooled to <math><36^{\circ}\text{C}</math> before wearing the static gloves to avoid burns;
- When operating, strictly guard against water or dirt on the bottom of the module;

The temperature and humidity control level of MXCHIP factory module is Level3, and the storage and baking conditions are based on IPC/JEDEC J-STD-020.

11.2. Storage Condition

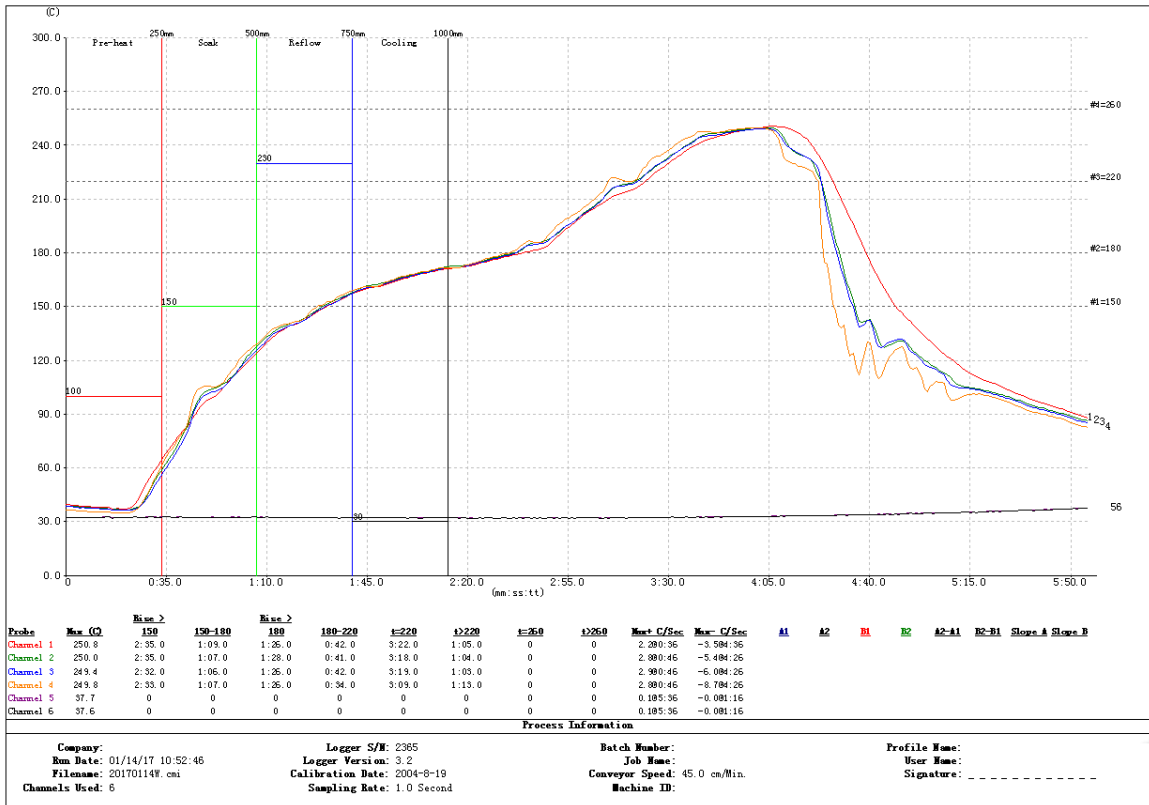
Figure 15 Storage Conditions Diagram

	<p>CAUTION This bag contains MOISTURE-SENSITIVE DEVICES</p>	<p>LEVEL 3</p>
	<p><small>If Blank, see adjacent bar code label</small></p>	
<p>1. Calculated shelf life in sealed bag: 12 months at < 40°C and < 90% relative humidity (RH)</p>		
<p>2. Peak package body temperature: <u>260</u> °C <small>If Blank, see adjacent bar code label</small></p>		
<p>3. After bag is opened, devices that will be subjected to reflow solder or other high temperature process must</p> <p>a) Mounted within: <u>168</u> hrs. of factory conditions <small>If Blank, see adjacent bar code label</small></p> <p style="padding-left: 20px;">≤ 30°C/60%RH, OR</p> <p>b) Stored at <10% RH</p>		
<p>4. Devices require bake, before mounting, if:</p> <p>a) Humidity Indicator Card is > 10% when read at 23 ± 5°C</p> <p>b) 3a or 3b not met.</p>		
<p>5. If baking is required, devices may be baked for 48 hrs. at 125 ± 5°C</p>		
<p>Note: If device containers cannot be subjected to high temperature or shorter bake times are desired, reference IPC/JEDEC J-STD-033 for bake procedure</p>		
<p>Bag Seal Date: _____ <small>If Blank, see adjacent bar code label</small></p>		
<p>Note: Level and body temperature defined by IPC/JEDEC J-STD-020</p>		

11.3. Secondary Reflux Temperature Curve

We recommend solder paste model: SAC305, lead-free. No more than 2 reflux times.

Figure 16 Reference Secondary Reflux Temperature Curve



12. FCC and IC Information

12.1. FCC Warning

✓ Any Changes or modifications not expressly approved by the party responsible for compliance could void the user's authority to operate the equipment.

✓ Note: This equipment has been tested and found to comply with the limits for a Class B digital device, pursuant to part 15 of the FCC Rules. These limits are designed to provide reasonable protection against harmful interference in a residential installation. This equipment generates uses and can radiate radio frequency energy and, if not installed and used in accordance with the instructions, may cause harmful interference to radio communications. However, there is no guarantee that interference will not occur in a particular installation. If this equipment does cause harmful interference to radio or television reception, which can be determined by turning the equipment off and on, the user is encouraged to try to correct the interference by one or more of the following measures:

- ✓ - Reorient or relocate the receiving antenna.
- ✓ - Increase the separation between the equipment and receiver.
- ✓ - Connect the equipment into an outlet on a circuit different from that to which the receiver is connected.

- ✓ - Consult the dealer or an experienced radio/TV technician for help.

✓ The device has been evaluated to meet general RF exposure requirement. The device can be used in portable exposure condition without restriction. This device complies with Part 15 of the FCC Rules. Operation is subject to the following two conditions:

- ✓ (1) this device may not cause harmful interference, and
- ✓ (2) this device must accept any interference received, including interference that may cause

undesired operation.

✓ This equipment complies with FCC radiation exposure limits set forth for an uncontrolled environment. This equipment should be installed and operated with minimum distance 20cm between the radiator & your body.

12.2. IC warning

- ✓ - **English:**

- ✓ This device complies with Industry Canada license-exempt RSS standard(s).

✓ Operation is subject to the following two conditions: (1) This device may not cause interference, and (2) This device must accept any interference, including interference that may cause undesired operation of the device.

- ✓ - **French:**
- ✓ Le présent appareil est conforme aux CNR d'Industrie Canada applicable aux appareils radio exempts de licence. L'exploitation est autorisée aux deux conditions suivantes:
 - ✓ (1) l'appareil ne doit pas produire de brouillage, et
 - ✓ (2) l'utilisateur de l'appareil doit accepter tout brouillage radioélectrique subi, même si le brouillage est susceptible d'en compromettre le fonctionnement.

12.3. Trace antenna designs

For a modular transmitter with trace antenna designs, see the guidance in Question 11 of KDB Publication 996369 D02 FAQ – Modules for Micro-Strip Antennas and traces. The integration information shall include for the TCB review the integration instructions for the following aspects: layout of trace design, parts list (BOM), antenna, connectors, and isolation requirements.

- a) Information that includes permitted variances (e.g., trace boundary limits, thickness, length, width, shape(s), dielectric constant, and impedance as applicable for each type of antenna);
- b) Each design shall be considered a different type (e.g., antenna length in multiple(s) of frequency, the wavelength, and antenna shape (traces in phase) can affect antenna gain and must be considered);
- c) The parameters shall be provided in a manner permitting host manufacturers to design the printed circuit (PC) board layout;
- d) Appropriate parts by manufacturer and specifications;
- e) Test procedures for design verification; and
- f) Production test procedures for ensuring compliance.

The module grantee shall provide a notice that any deviation(s) from the defined parameters of the antenna trace, as described by the instructions, require that the host product manufacturer must notify the module grantee that they wish to change the antenna trace design. In this case, a Class II permissive change application is required to be filed by the grantee, or the host manufacturer can take responsibility through the change in FCC ID (new application) procedure followed by a Class II permissive change application.

Explanation: Yes, The module with trace antenna designs, and This manual has been shown the layout of trace design,, antenna, connectors, and isolation requirements.

12.4. RF exposure considerations

It is essential for module grantees to clearly and explicitly state the RF exposure conditions that permit a host product manufacturer to use the module. Two types of instructions are required for RF exposure information: (1) to the host product manufacturer, to define the application conditions (mobile, portable – xx cm from a person' s body); and (2) additional text needed for the host product manufacturer to provide to end users in their end-product manuals. If RF exposure statements and use conditions are not provided, then the host product manufacturer is required to take responsibility of the module through a change in FCC ID (new application).

Explanation: This module complies with FCC RF radiation exposure limits set forth for an uncontrolled environment, This equipment should be installed and operated with a minimum distance of 20 centimeters between the radiator and your body." This module is designed to comply with the FCC statement, FCC ID is: P53-EMC3380.

12.5. Antennas

A list of antennas included in the application for certification must be provided in the instructions. For modular transmitters approved as limited modules, all applicable professional installer instructions must be included as part of the information to the host product manufacturer. The antenna list shall also identify the antenna types (monopole, PIFA, dipole, etc. (note that for example an

"omni-directional antenna" is not considered to be a specific "antenna type")).

For situations where the host product manufacturer is responsible for an external connector, for example with an RF pin and antenna trace design, the integration instructions shall inform the installer that unique antenna connector must be used on the Part 15 authorized transmitters used in the host product. The module manufacturers shall provide a list of acceptable unique connectors.

Explanation: The EUT has a PCB Antenna, , and the antenna use a permanently attached antenna which is unique.

12.6. Label and compliance information

Grantees are responsible for the continued compliance of their modules to the FCC rules. This includes advising host product manufacturers that they need to provide a physical or e-label stating "Contains FCC ID" with their finished product. See Guidelines for Labeling and User Information for RF Devices – KDB Publication 784748.

Explanation: The host system using this module, should have label in a visible area indicated the following texts: "Contains FCC ID: P53-EMC3380.

12.7. Information on test modes and additional testing requirements

Additional guidance for testing host products is given in KDB Publication 996369 D04 Module Integration Guide. Test modes should take into consideration different operational conditions for a stand-alone modular transmitter in a host, as well as for multiple simultaneously transmitting modules or other transmitters in a host product.

The grantee should provide information on how to configure test modes for host product evaluation for different operational conditions for a stand-alone modular transmitter in a host, versus with multiple, simultaneously transmitting modules or other transmitters in a host.

Grantees can increase the utility of their modular transmitters by providing special means, modes, or instructions that simulates or characterizes a connection by enabling a transmitter. This can greatly simplify a host manufacturer' s determination that a module as installed in a host complies with FCC requirements.

Explanation: Topband can increase the utility of our modular transmitters by providing instructions that simulates or characterizes a connection by enabling a transmitter.

12.8. **Additional testing, Part 15 Subpart B disclaimer**

The grantee should include a statement that the modular transmitter is only FCC authorized for the specific rule parts (i.e., FCC transmitter rules) listed on the grant, and that the host product manufacturer is responsible for compliance to any other FCC rules that apply to the host not covered by the modular transmitter grant of certification. If the grantee markets their product as being Part 15 Subpart B compliant (when it also contains unintentional-radiator digital circuitry), then the grantee shall provide a notice stating that the final host product still requires Part 15 Subpart B compliance testing with the modular transmitter installed.

Explanation: The module without unintentional-radiator digital circuitry, so the module does not require an evaluation by FCC Part 15 Subpart B. The host should be evaluated by the FCC Subpart B.

12.9. The module is limited to OEM installation ONLY.

12.10. The OEM integrator is responsible for ensuring that the end-user has no manual instructions to remove or install module.

12.11. The module is limited to installation in mobile or fixed applications

13. Packaging and Label Information

13.1. packaging information

Table 25 Module MOQ and Packaging Information

Order Code	MOQ(pcs)	Shipment packing (pallet/tape)
EMC3380-S EMC3380-D	1200	Tray

13.2. Label Information

Figure 17 Module Label Schematic Diagram



1. MXCHIP: Company Logo.
2. CMIIT ID: SRRC Model Authorization ID, 10 bits, not yet available, replaced by X.
3. EMC3380-S: Product Main Type.
4. JL5: Product Auxiliary Model.
5. X1916: Production serial number, where: X-factory code, 19-year of production, 16-week.
6. B0F893100008: MAC Address.
7. 0000.0000.A213: Firmware Number.

14. Sales and Technical Support Information

If you need to consult or purchase this product, please call Shanghai MXCHIP Information Technology Co., Ltd. during office hours.

Office hours: Monday to Friday morning: 9:00-12:00, afternoon: 13:00-18:00

Contact Tel: +86-21-52655026

Address: 9th Floor, Lane 5, 2145 Jinshajiang Road, Putuo District, Shanghai

Zip code: 200333

Email: sales@mxchip.com