

Antenna (WiFi / Bluetooth)





## Specifications Sheet

<b>Object</b>	<b>Dipole Antenna</b>	<b>Rev.</b>	<b>IR</b>	<b>Page</b>	<b>1 of 6</b>
<b>Model name</b>	<b>WE-2400TO (Swivel joint)</b>	<b>Date</b>	<b>March 5, 2004</b>		
<b>System</b>	<b>Bluetooth / WLAN IEEE 802.11b/g</b>	<b>Written by</b>			
<b>Electrical Specifications</b>					
<b>Frequency</b>	2400 ~ 2483.5 (MHz)				
<b>Bandwidth</b>	83.5 (MHz)				
<b>V.S.W.R</b>	1.9 : 1				
<b>Gain (max)</b>	2 (dBi)				
<b>Input Impedance</b>	50 ( $\Omega$ )				
<b>Polarization/ Directional</b>	Linear / Omni-directional				
<b>Mechanical Specifications</b>					
<b>Size</b>	124 $\pm$ 2.0 (mm)				
<b>Connector</b>	SMA Male				
<b>Weight</b>	12g				
<b>Radiator Material</b>	Copper				
<b>Operation Temperature</b>	-30 ~ 70 ( $^{\circ}$ C)				
<b>Operation Humidity</b>	10 ~ 90 (%)				
<b>Option</b>					
<b>Remarks</b>					

Fig. 1. VSWR

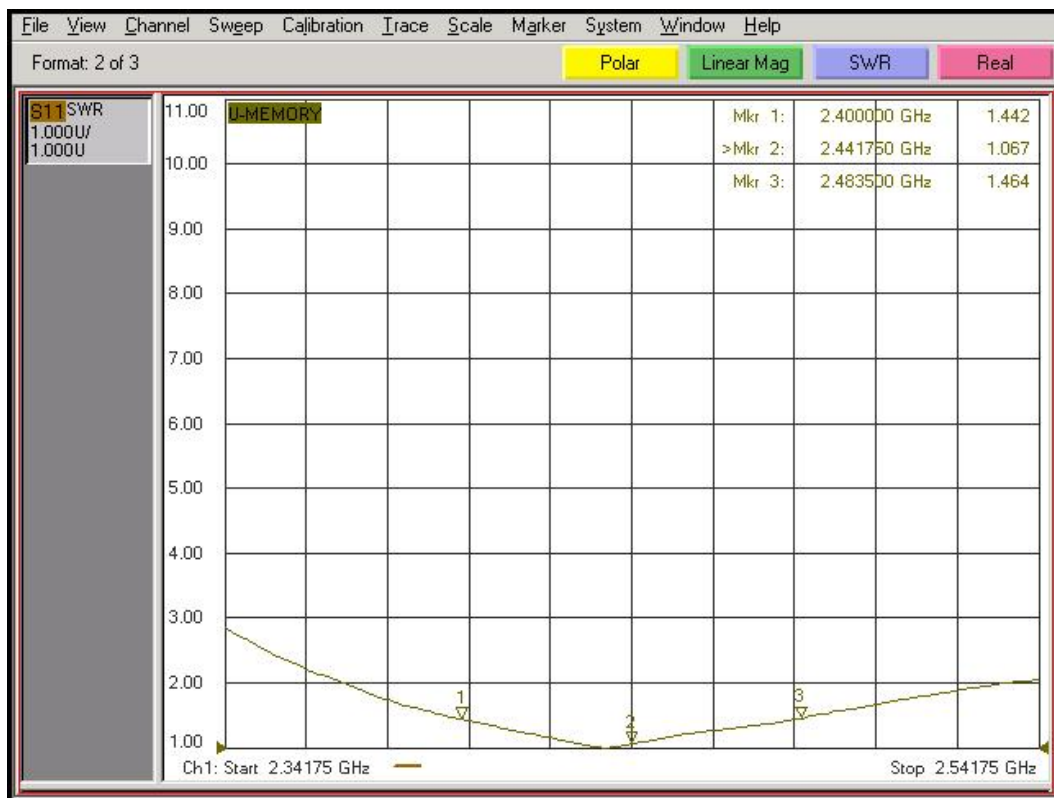
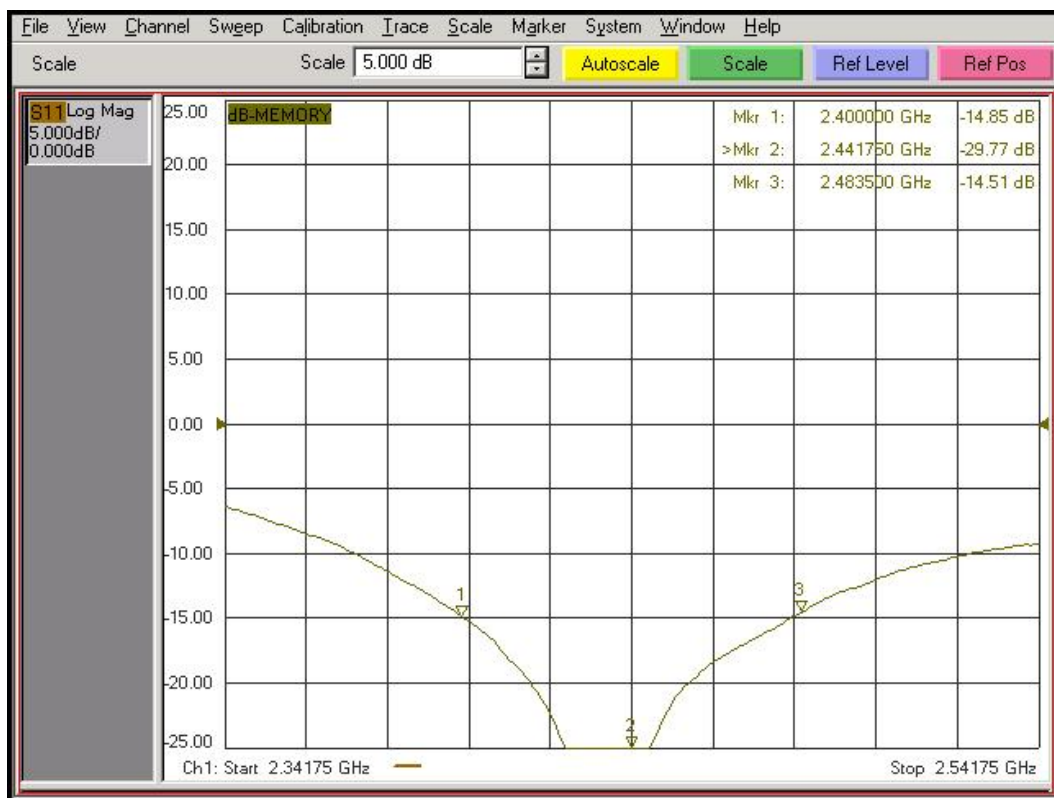


Fig. 2. Return Loss



**Fig. 3. Smith Chart**

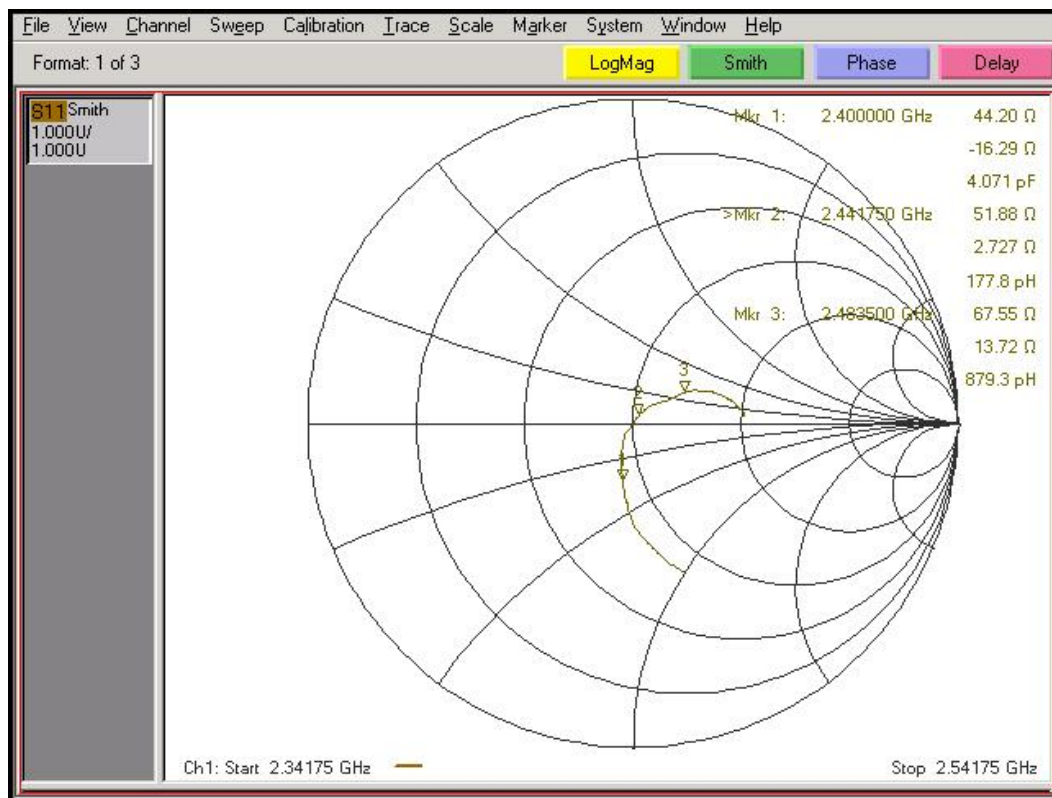
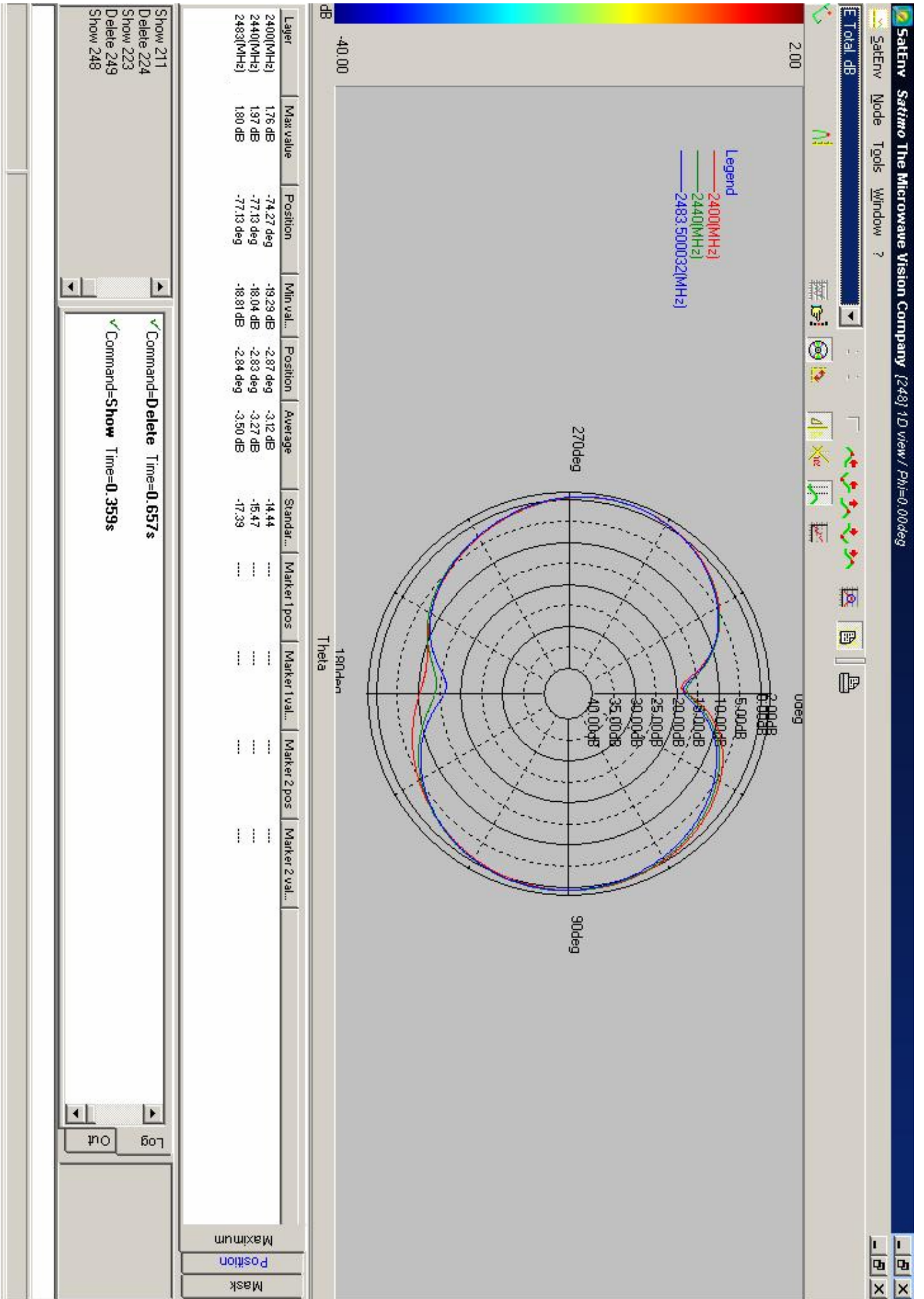
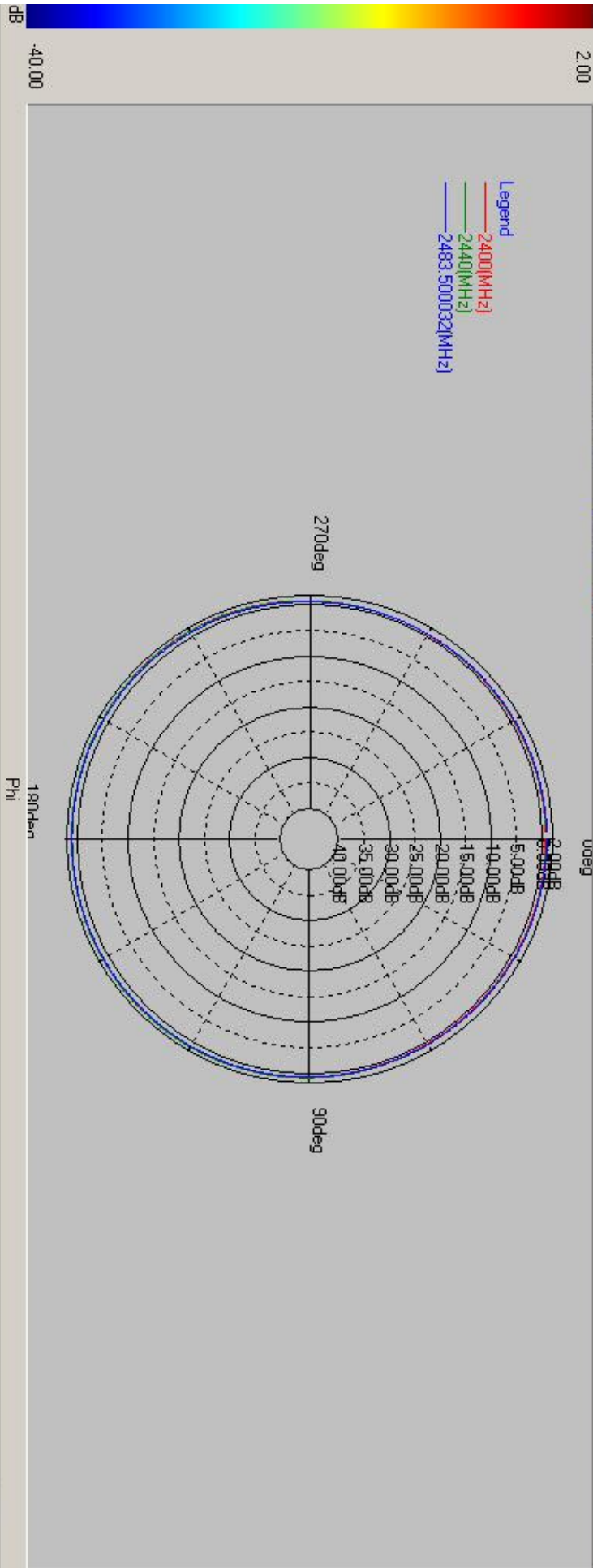


Fig. 4. Radiation Pattern



- 2400(MHz)
- 2440(MHz)
- 2483.500032(MHz)



Layer	Max value	Position	Min val...	Position	Average	Standar...	Marker 1 pos	Marker 1 val...	Marker 2 pos	Marker 2 val...
2400(MHz)	1.97 dB	237.17 deg	0.33 dB	321.88 d...	0.72 dB	0.97	...	...	...	...
2440(MHz)	1.98 dB	121.43 deg	0.40 dB	316.23 d...	0.73 dB	0.98	...	...	...	...
2483(MHz)	1.98 dB	127.05 deg	0.48 dB	307.75 ...	0.70 dB	0.96	...	...	...	...

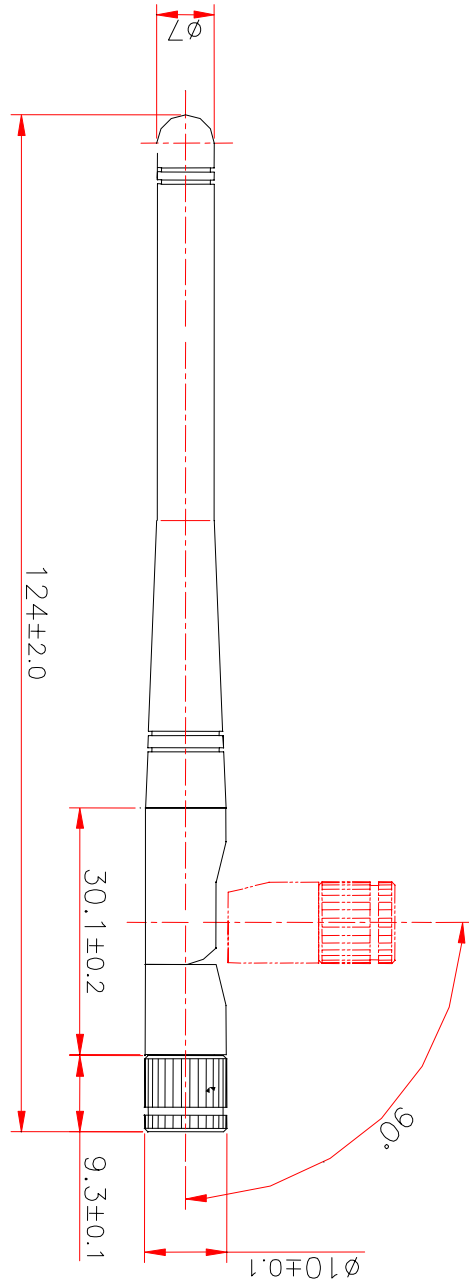
Show 223  
Delete 249  
Show 248  
Delete 255  
Show 254

✓ Command=Delete Time=0.734s  
✓ Command=Show Time=0.375s

Log Out

Mask  
Position  
Maximum

Fig. 5. Mechanical



13.56 MHz

