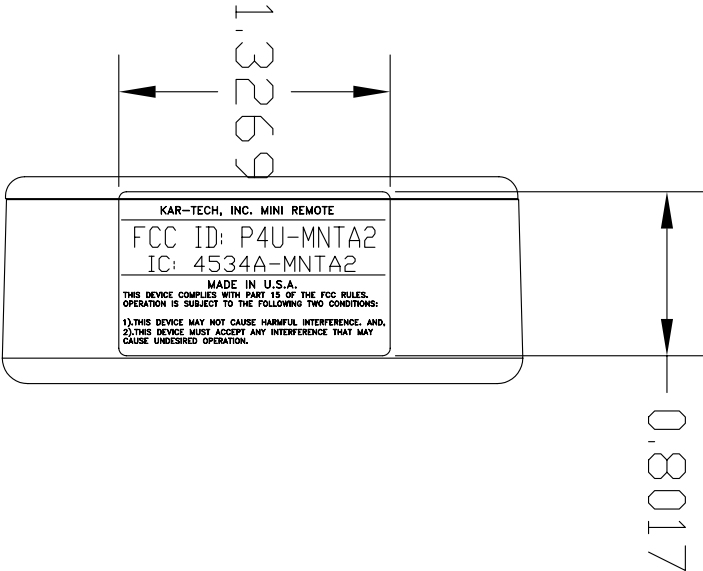


LABEL ON SIDE
OF ENCLOSURE



REF: KAR-TECH

REV	ADD	RELEASED	DESCRIPTION	TITLE	SCALE	DATE	DESIGNED	PROVEN	ISSUED IN	INTEGRATED TOLERANCE
05-17-96	05-17-96	RELEASED	DESCRIPTION	KAR-TECH Delafield, WI 53018	FULL	05-17-96			MNTA2	XX - 1 XXX - .06 XXX - .05 FRACTIONAL - 1/8 ANGLES - 05 DEG
REV	ADD	RELEASED	DESCRIPTION	TITLE	SCALE	DATE	DESIGNED	PROVEN	ISSUED IN	INTEGRATED TOLERANCE
05-17-96	05-17-96	RELEASED	DESCRIPTION	KAR-TECH Delafield, WI 53018	FULL	05-17-96			MNTA2	XX - 1 XXX - .06 XXX - .05 FRACTIONAL - 1/8 ANGLES - 05 DEG

THIS DRAWING IS THE PROPERTY OF KAR-TECH, INC. AND ALL THE INFORMATION HEREON IS CONFIDENTIAL AND NOT BE RE-PRODUCED, COPIED, OPENED, AND USED BY THE DISSEMINATION OF KAR-TECH, INC. AND IS SUBJECT TO RETURN OR DESTRUCTION.