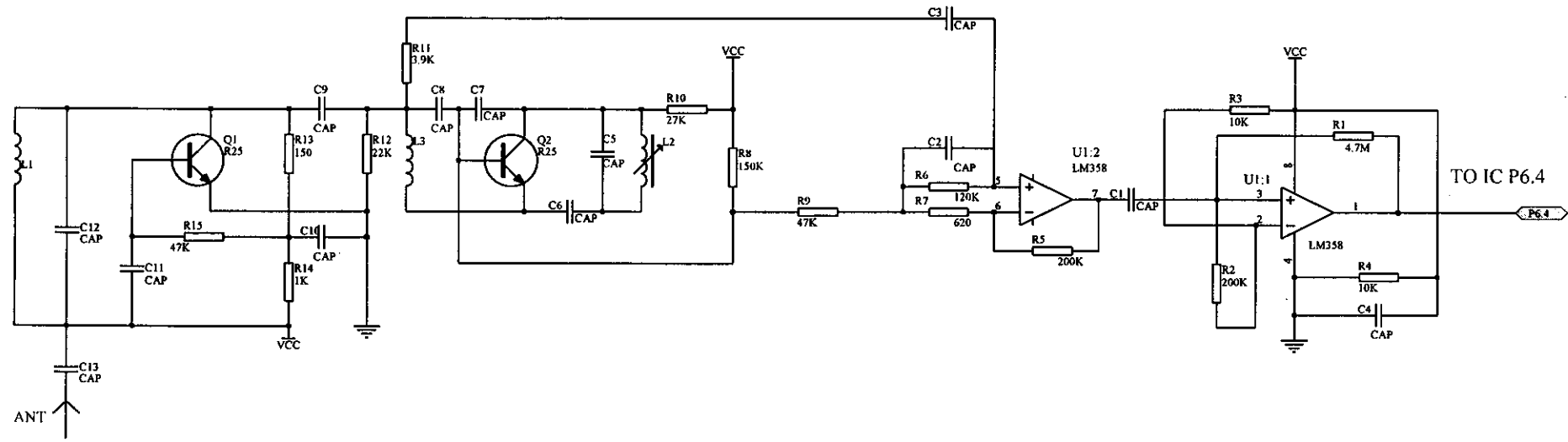
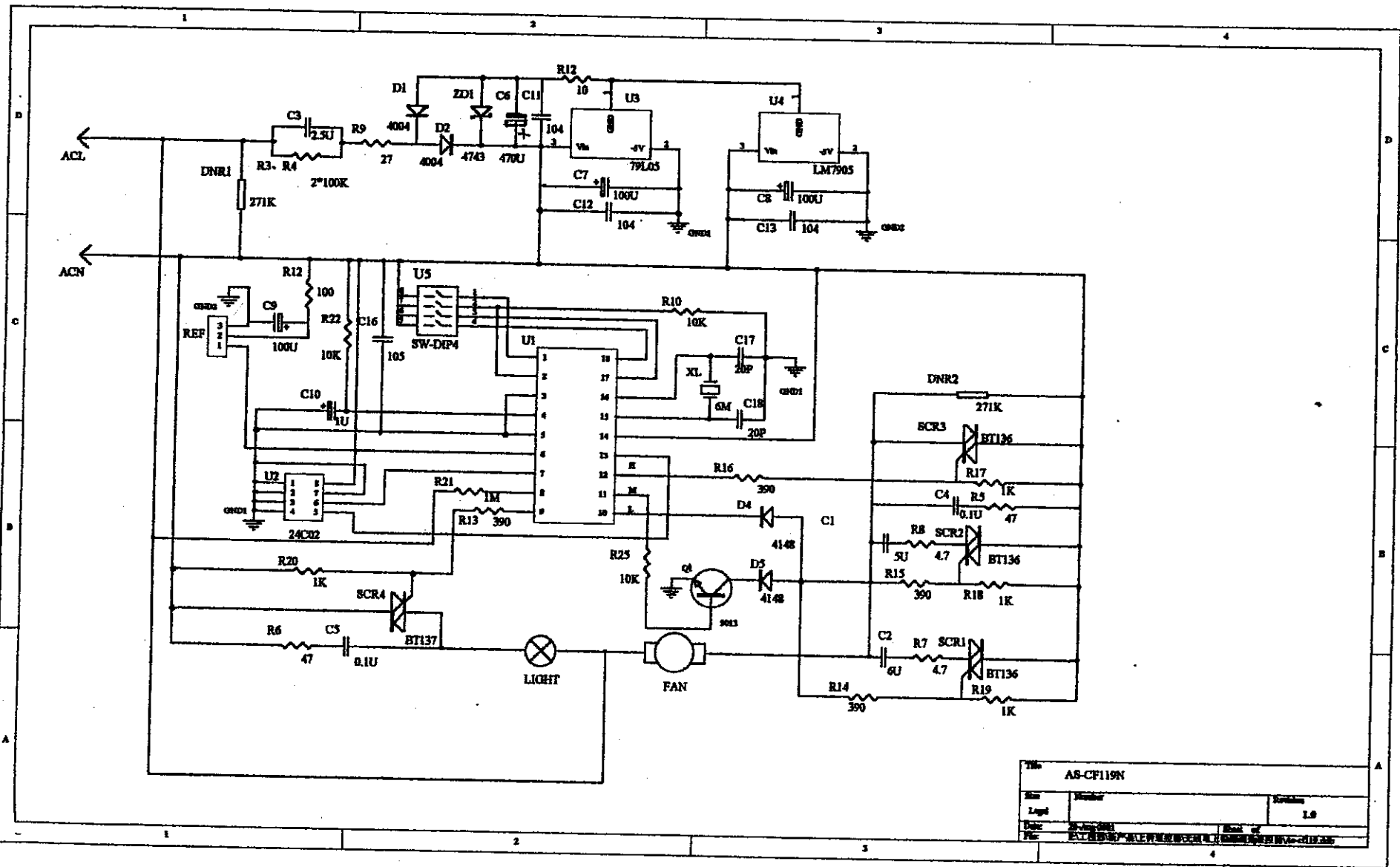


To: ITS - CALVIN. Liu FAX OUT
 Fr: KIN YIP - DUNCAN.
 DATE: FHS. 06. 02 - 6 FEB 2002





Title		
AS-CF119N		
Rev	Number	Revision
1.0		1.0
Date	20-Aug-2001	Drawn by
File	E:\CIRCUIT\AS-CF119N\AS-CF119N.CAD	